



US00D813602S

(12) **United States Design Patent**
Dong

(10) **Patent No.:** **US D813,602 S**
(45) **Date of Patent:** **** Mar. 27, 2018**

(54) **STIRRER**
(71) Applicant: **Lingyu Dong**, Temple City, CA (US)
(72) Inventor: **Lingyu Dong**, Temple City, CA (US)
(**) Term: **15 Years**
(21) Appl. No.: **29/575,718**
(22) Filed: **Aug. 28, 2016**
(51) **LOC (11) Cl.** **31-00**
(52) **U.S. Cl.**
USPC **D7/412; D7/376; D7/378**
(58) **Field of Classification Search**
USPC D7/372, 376-386, 402, 412-413, 602,
D7/629, 665-666, 669, 679, 693-694;
D15/138
CPC A21C 1/02; A21C 1/04; A23N 1/00; A23N
1/02; A47J 43/04; A47J 43/25; A47J
43/27; A47J 43/042; A47J 43/044; A47J
43/046; A47J 43/0465; A47J 43/075;
A47J 43/0705; A47J 43/0722; A47J
43/0727; A47J 43/1025; B01D 29/035;
B01F 3/00; B01F 3/0807; B01F 3/0853;
B01F 7/0025; B01F 7/00175; B01F
13/0059; B01F 13/0064; B02C 1/08;
B02C 2/04; B02C 4/42; B02C 4/142;
B02C 4/143; B02C 4/423; B02C 13/1835;
B28C 5/10; B28C 5/12; B28C 5/14;
B28C 5/16
See application file for complete search history.

3,333,831 A * 8/1967 Chapman B01F 7/0025
366/129
4,260,267 A * 4/1981 Walton B01F 7/00475
366/129
4,844,355 A * 7/1989 Kemp, Jr. B01F 7/00175
241/172
D328,905 S * 8/1992 Triano D15/138
5,160,041 A * 11/1992 Taniguchi B01D 29/035
210/205
D399,091 S * 10/1998 Rubin D7/376
D576,186 S * 9/2008 Rosso D15/138
D618,056 S * 6/2010 Sly D7/376
D690,159 S * 9/2013 Gursel D7/376

* cited by examiner

Primary Examiner — Ricky Pham
(74) *Attorney, Agent, or Firm* — Raymond Y. Chan;
David and Raymond Patent Firm

(57) **CLAIM**

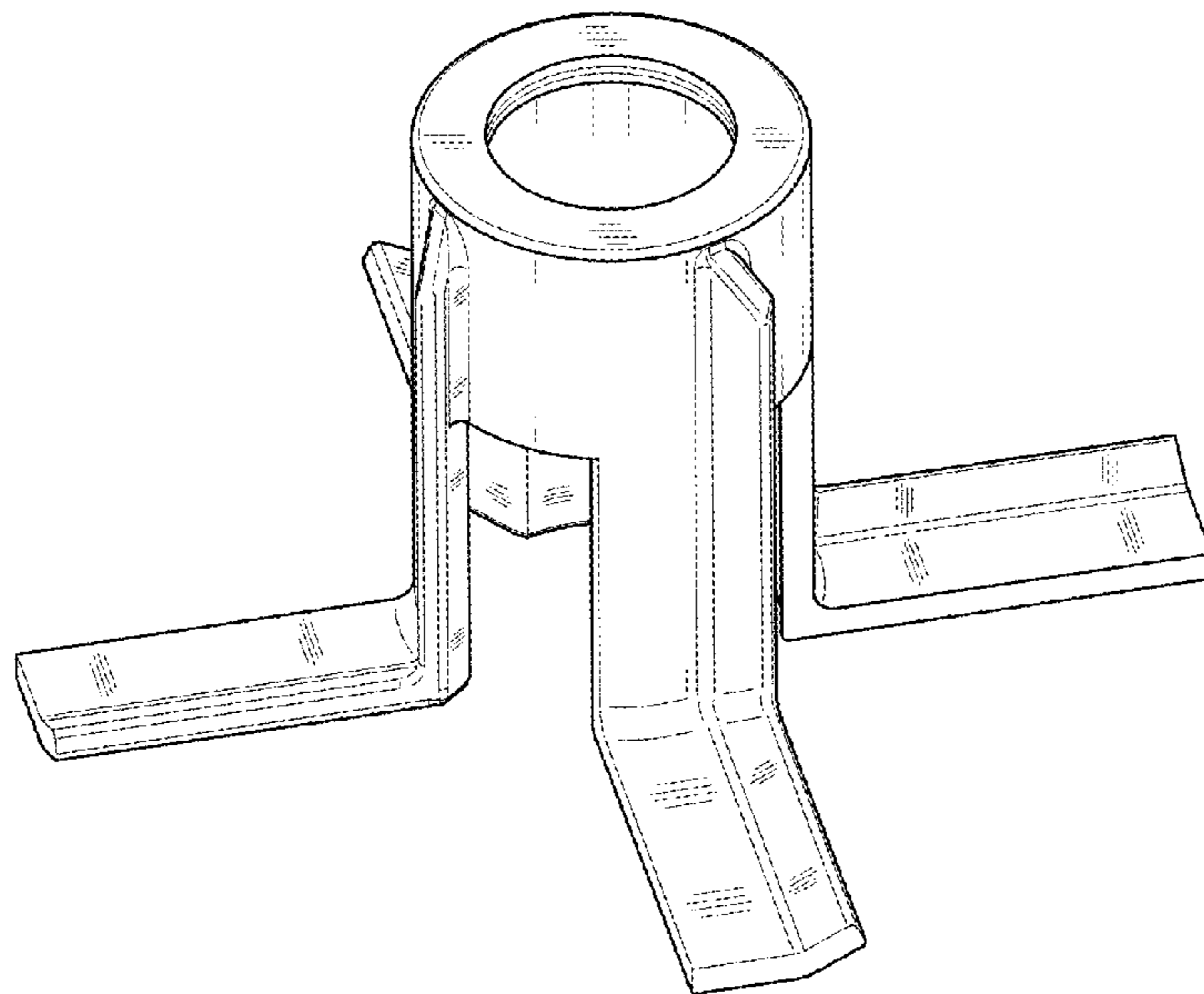
The ornamental design for a stirrer, as shown and described.

DESCRIPTION

FIG. 1 is a perspective view of the stirrer showing my new design.
FIG. 2 is a front view of the stirrer.
FIG. 3 is a rear view of the stirrer.
FIG. 4 is a right view of the stirrer.
FIG. 5 is a left view of the stirrer.
FIG. 6 is a top view of the stirrer; and,
FIG. 7 is a bottom view of the stirrer.

1 Claim, 7 Drawing Sheets

(56) **References Cited**
U.S. PATENT DOCUMENTS
401,306 A * 4/1889 Schock et al. A47J 43/1025
366/284
2,702,571 A * 2/1955 Murray B01F 13/0863
241/282.1



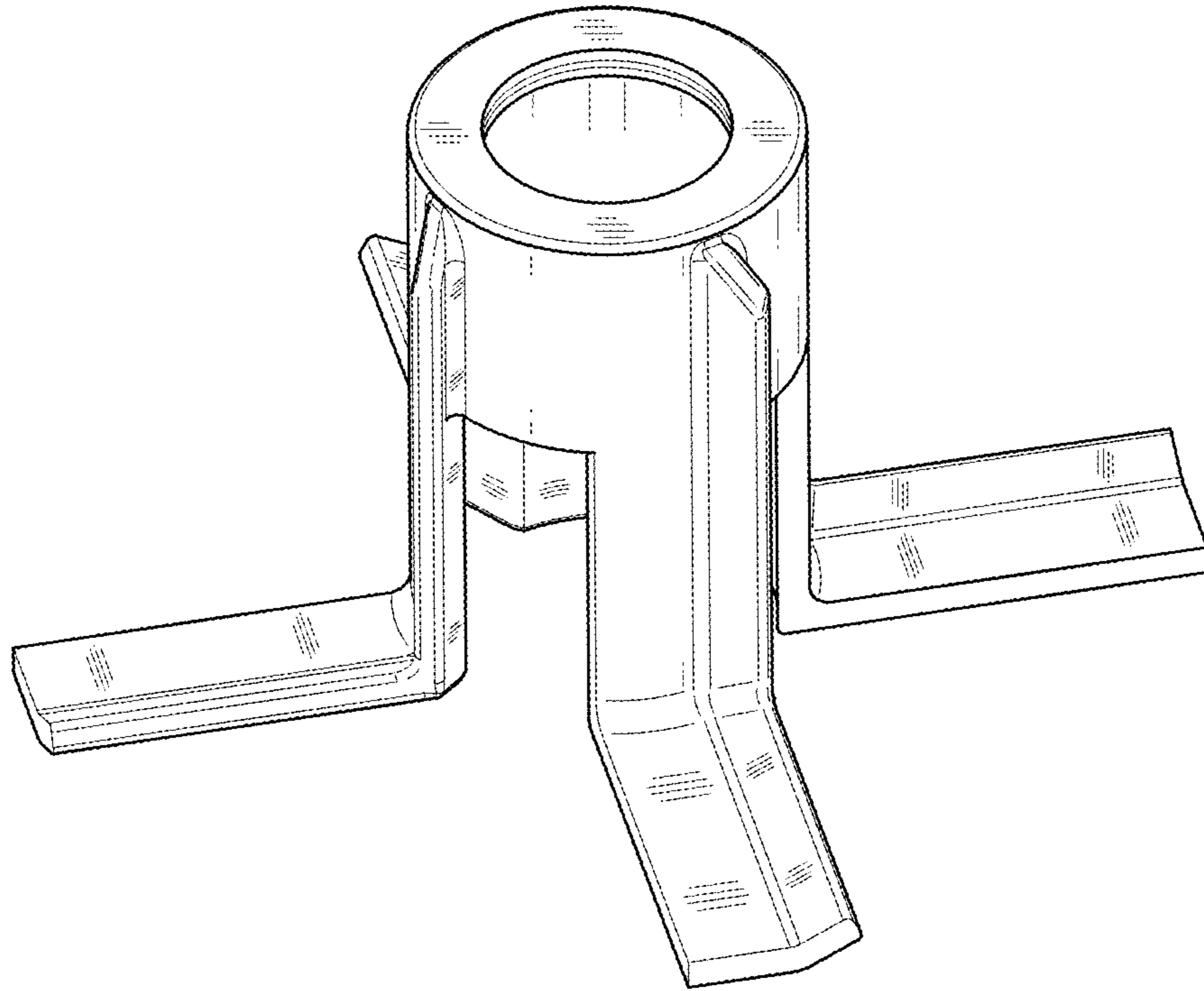


FIG.1

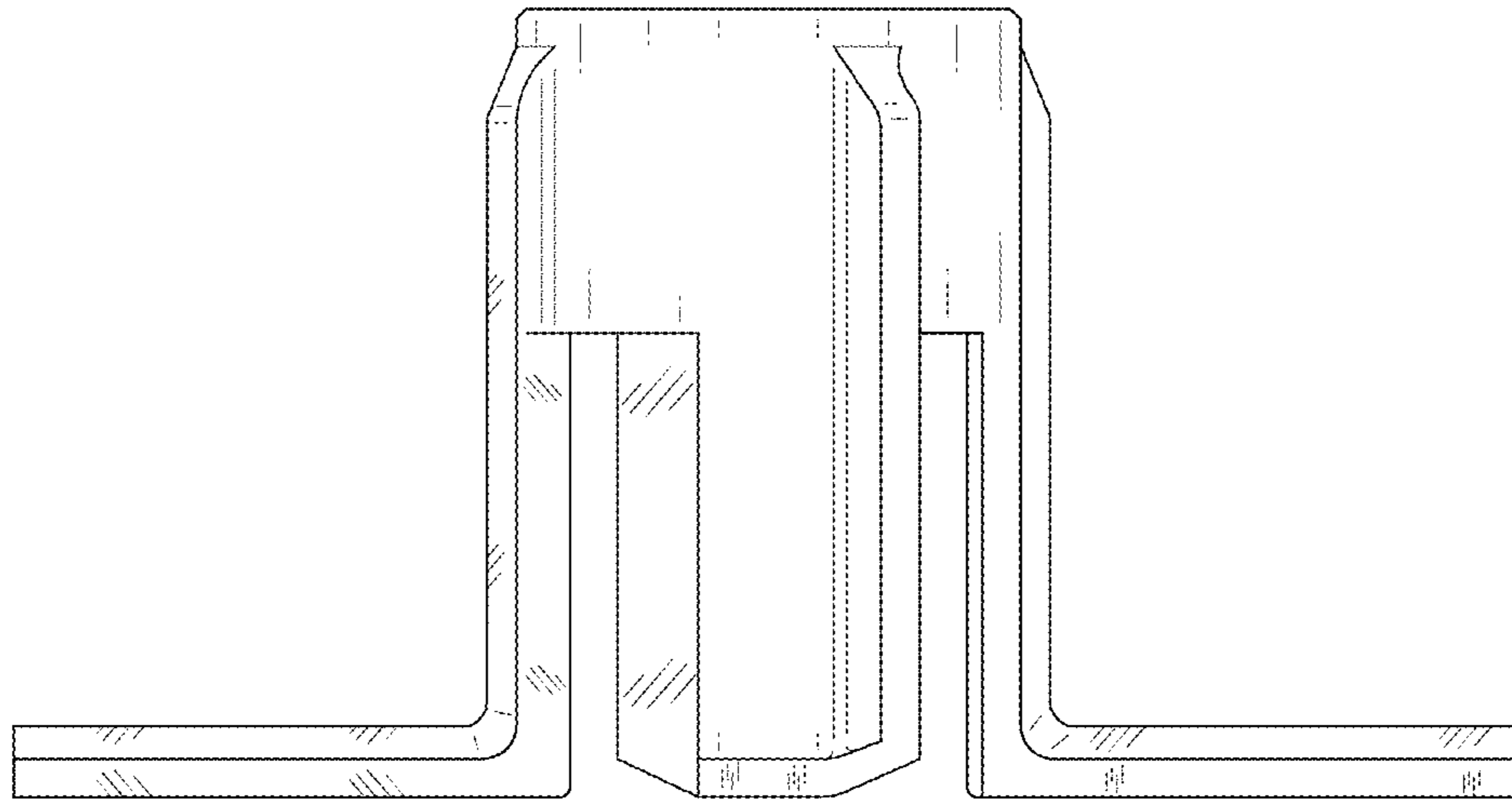


FIG.2

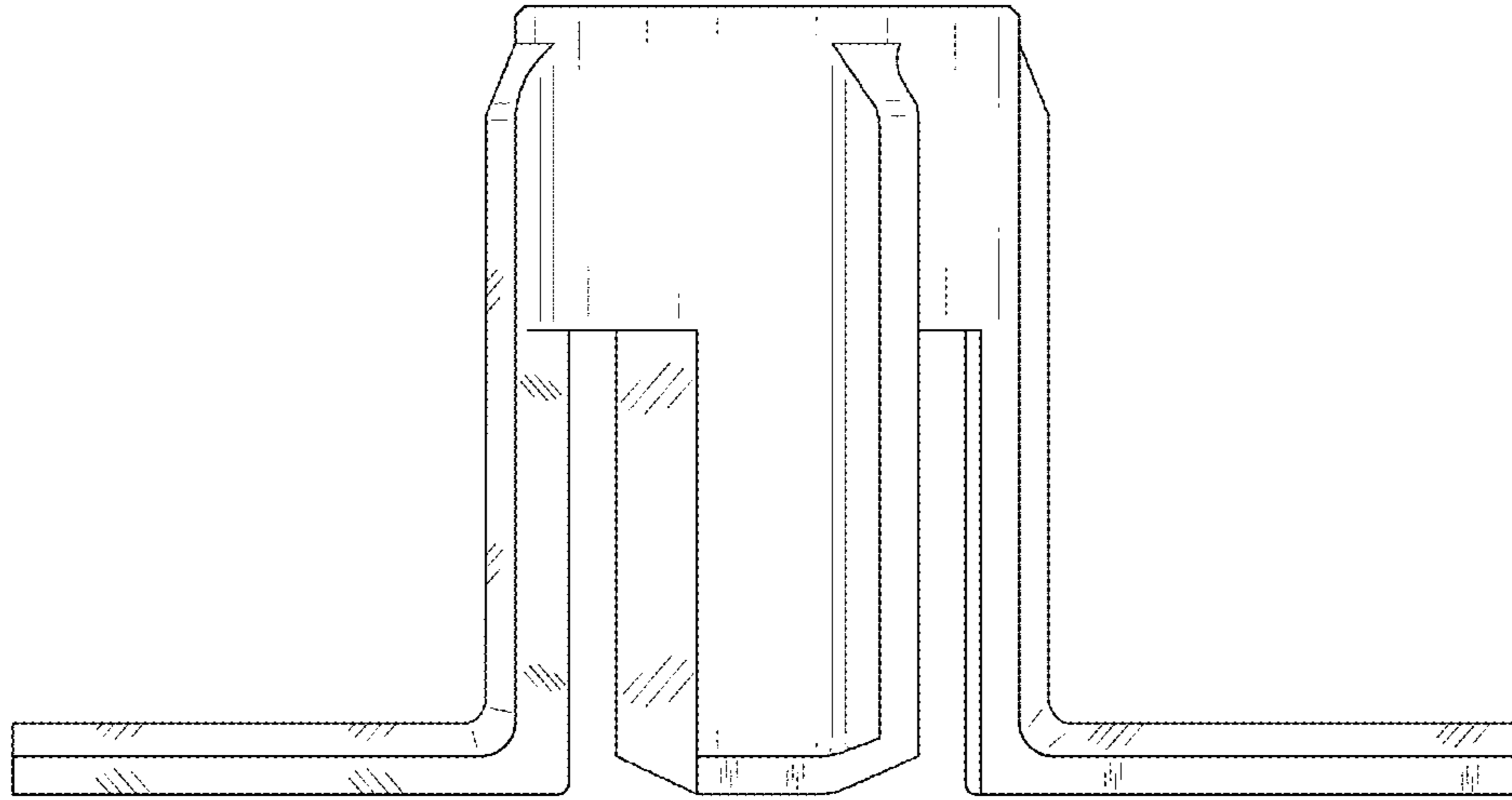


FIG.3

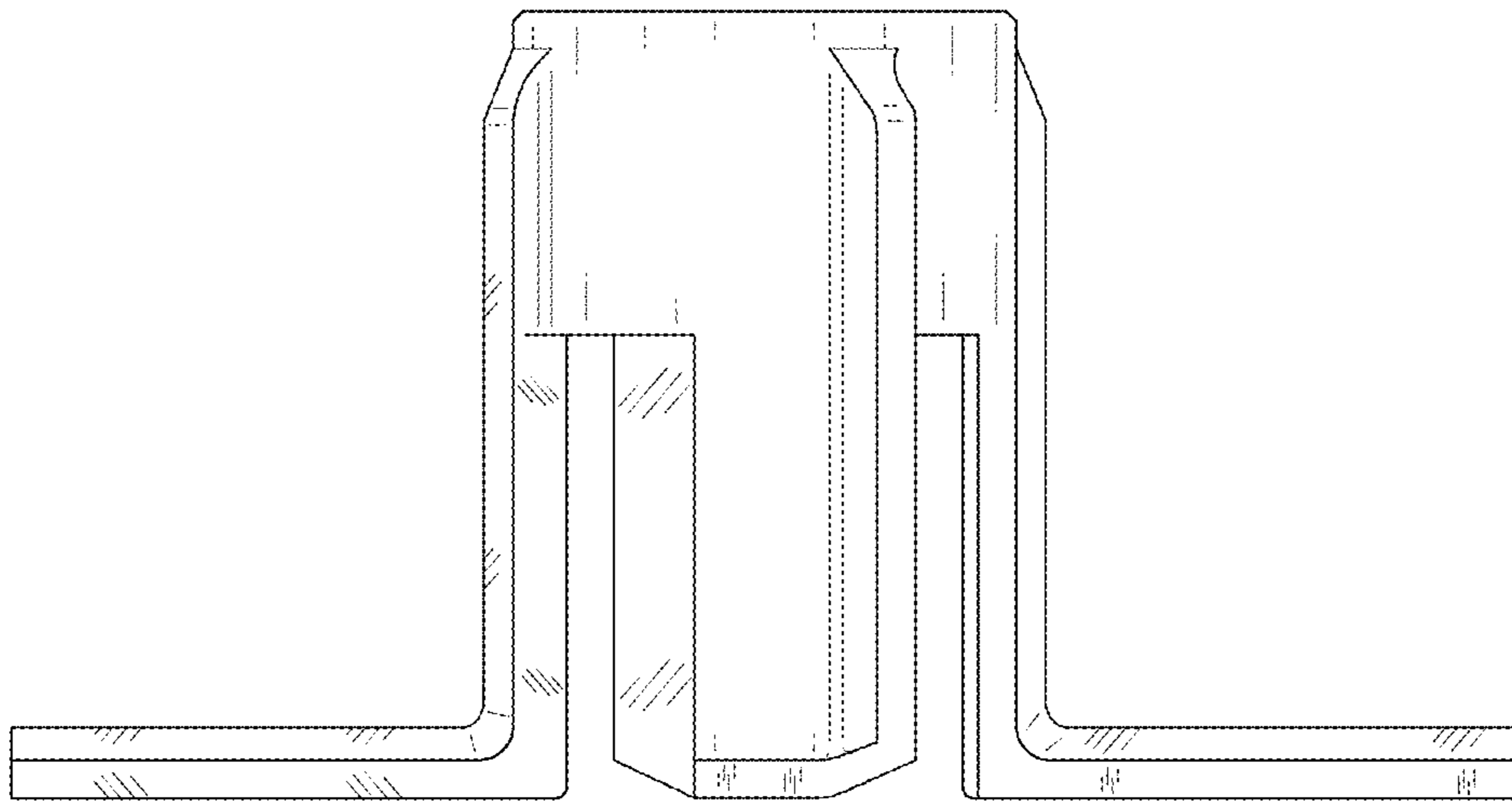


FIG.4

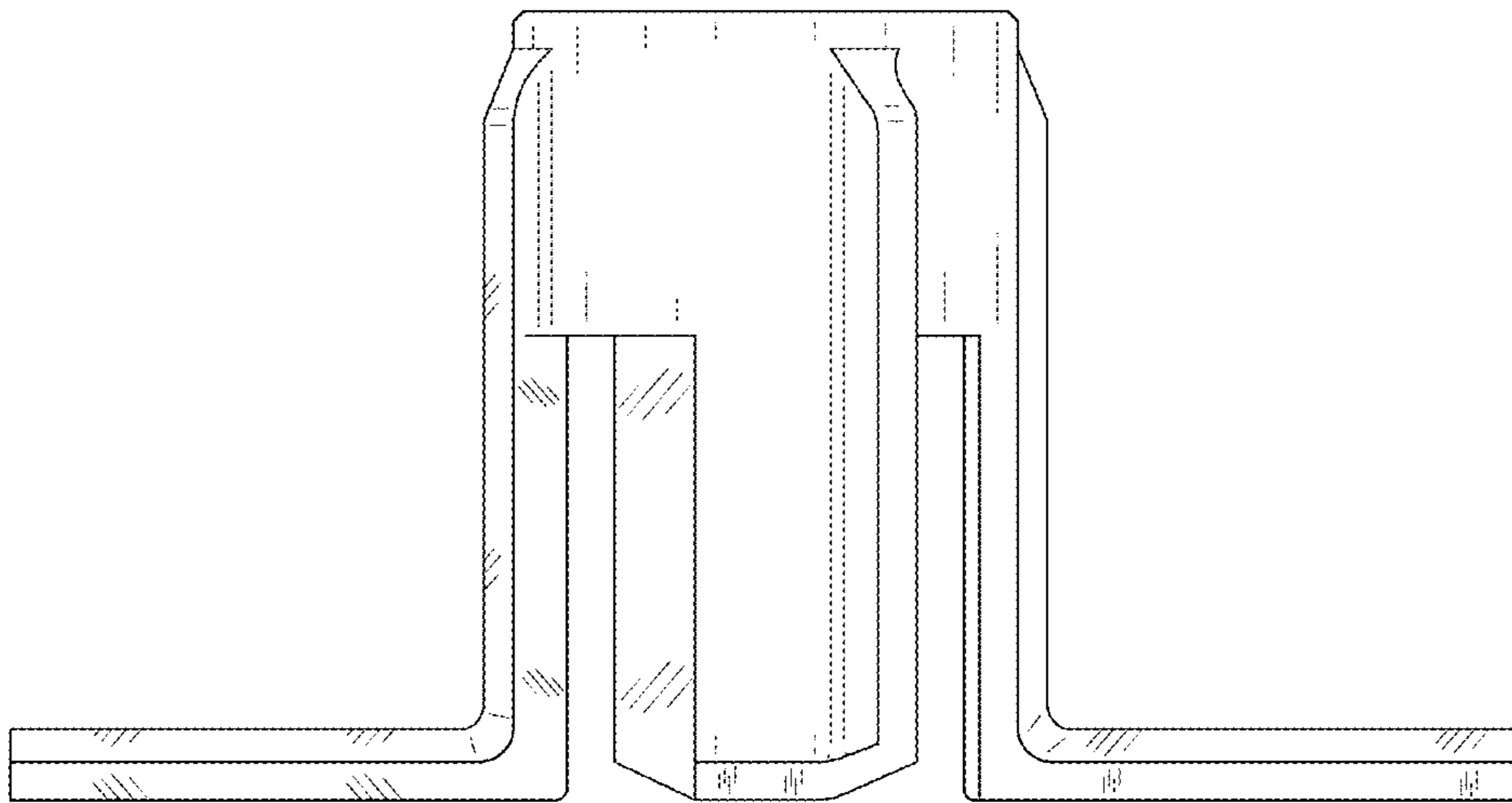


FIG.5

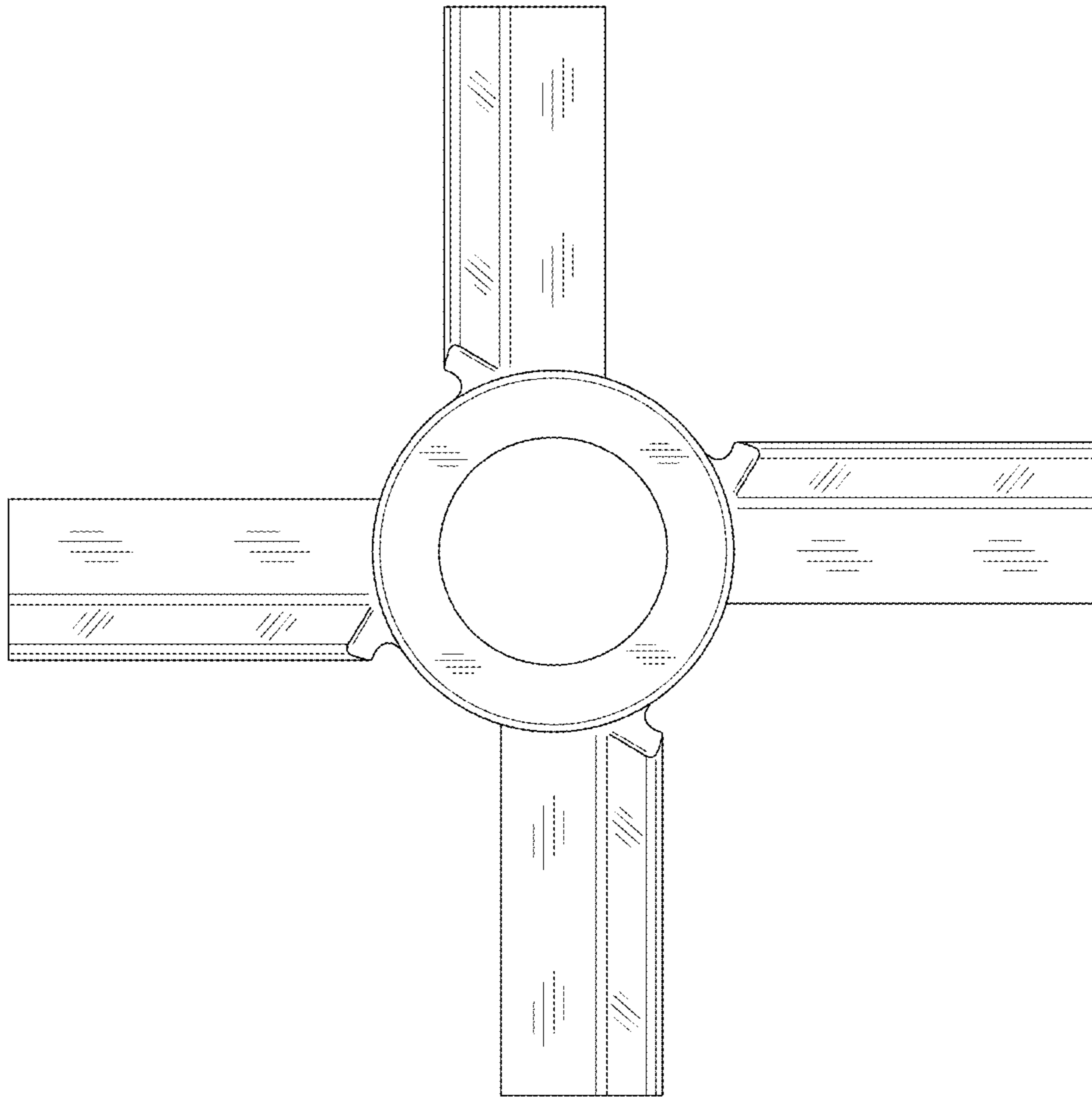


FIG.6

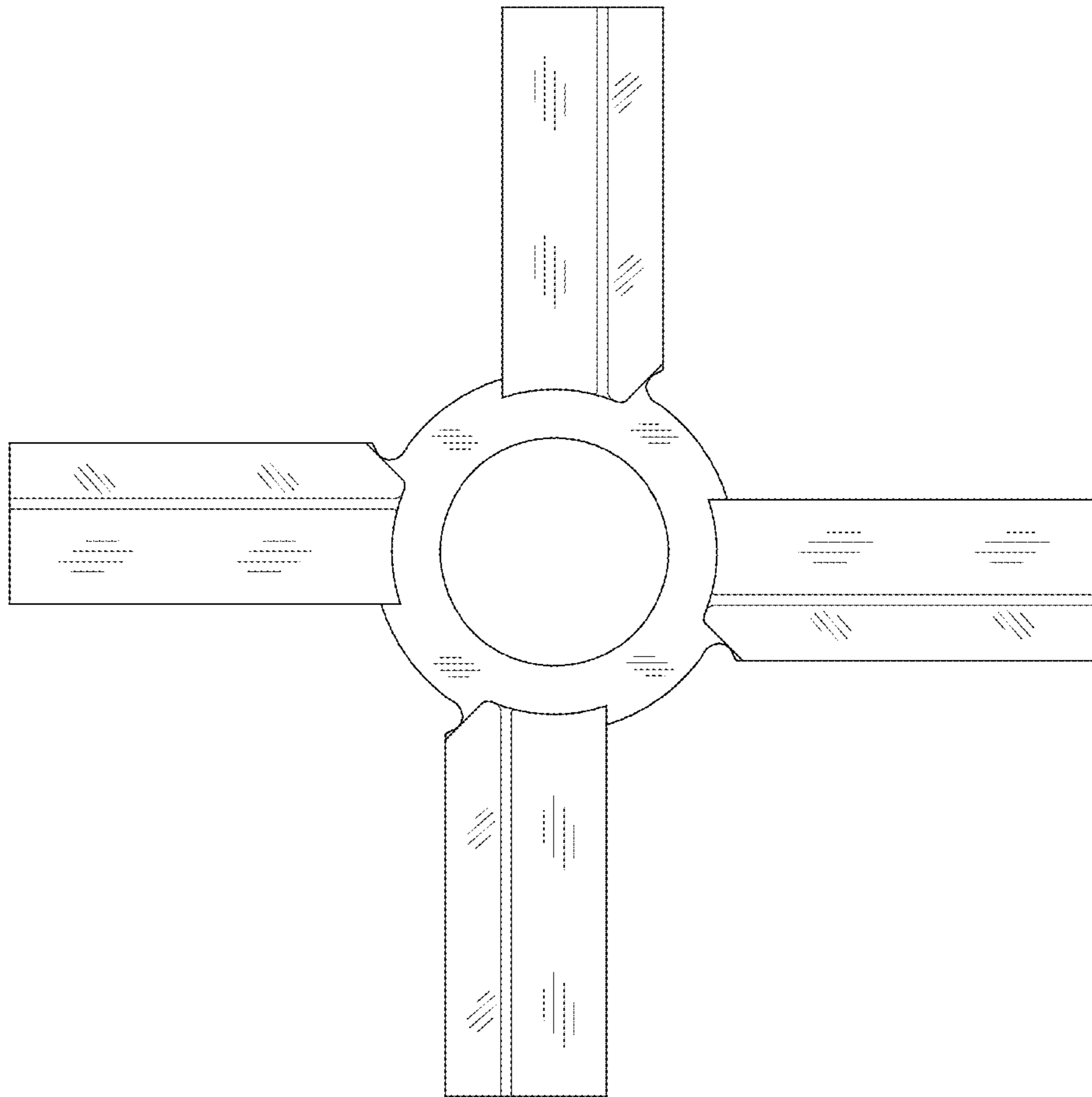


FIG.7