



US00D813601S

(12) **United States Design Patent**
Hollinger

(10) **Patent No.:** **US D813,601 S**
(45) **Date of Patent:** **** Mar. 27, 2018**

(54) **GRATE FOR A SMOKELESS GRILL**

FOREIGN PATENT DOCUMENTS

(71) Applicant: **E. MISHAN & SONS, INC.**, New York, NY (US)

WO 2015043976 A1 4/2015
WO 2015044164 A1 4/2015

(72) Inventor: **Fred Hollinger**, Monroe Township, NJ (US)

Primary Examiner — Ricky Pham

(74) *Attorney, Agent, or Firm* — Notaro, Michalos & Zaccaria P.C.

(73) Assignee: **E. Mishan & Sons, Inc.**, New York, NY (US)

(**) Term: **15 Years**

(57) **CLAIM**

The ornamental design for a grate for a smokeless grill, as shown and described.

(21) Appl. No.: **29/608,766**

(22) Filed: **Jun. 26, 2017**

(51) **LOC (11) Cl.** **07-02**

(52) **U.S. Cl.**

USPC **D7/409**; D7/352; D7/362

(58) **Field of Classification Search**

USPC D6/705.7; D7/323, 332, 335–337, D7/354–355, 359–367, 387–388, 402, D7/407–409

CPC A21B 2/00; A21B 3/00; A21B 3/13; A21B 3/15; A21B 5/00; A21B 5/02; A23N 12/06; A23N 12/08; A23N 12/10; A47J 37/00; A47J 37/04; A47J 37/041; A47J 37/042; A47J 37/06; A47J 37/0676; A47J 37/0688; A47J 37/0694; A47J 37/07; A47J 37/0704; A47J 37/0709; A47J 37/10; A47J 47/20; A47J 2037/00; A47J 2037/06; A47J 2037/0611; A47J 2037/07; A47J 2037/0786; A47J 2037/0795; F24C 15/10; F24C 15/12; F24C 15/14; F24C 15/16; F24C 15/164; F24C 15/18

See application file for complete search history.

DESCRIPTION

FIG. 1 is a front, left, top perspective view of a grate for a smokeless grill showing my design therefor;
FIG. 2 is a top plan view thereof;
FIG. 3 is a bottom plan view thereof;
FIG. 4 is a left side elevational view thereof;
FIG. 5 is a right side elevational view thereof;
FIG. 6 is a front elevational view thereof, the rear elevational view being a mirror image thereof;
FIG. 7 is a cross-sectional view of FIG. 2, taken along line 7-7 thereof;
FIG. 8 is a front, left, top perspective view of a second embodiment of a grate for a smokeless grill;
FIG. 9 is a top plan view of the second embodiment;
FIG. 10 is a bottom plan view of the second embodiment;
FIG. 11 is a left side elevational view of the second embodiment;
FIG. 12 is a right side elevational view of the second embodiment;
FIG. 13 is a front elevational view of the second embodiment, the rear elevational view being a mirror image thereof; and,
FIG. 14 is a cross-sectional view of FIG. 9, taken along line 14-14 thereof.
The broken lines shown in the drawings are for illustrative purposes only and form no part of the claimed design.

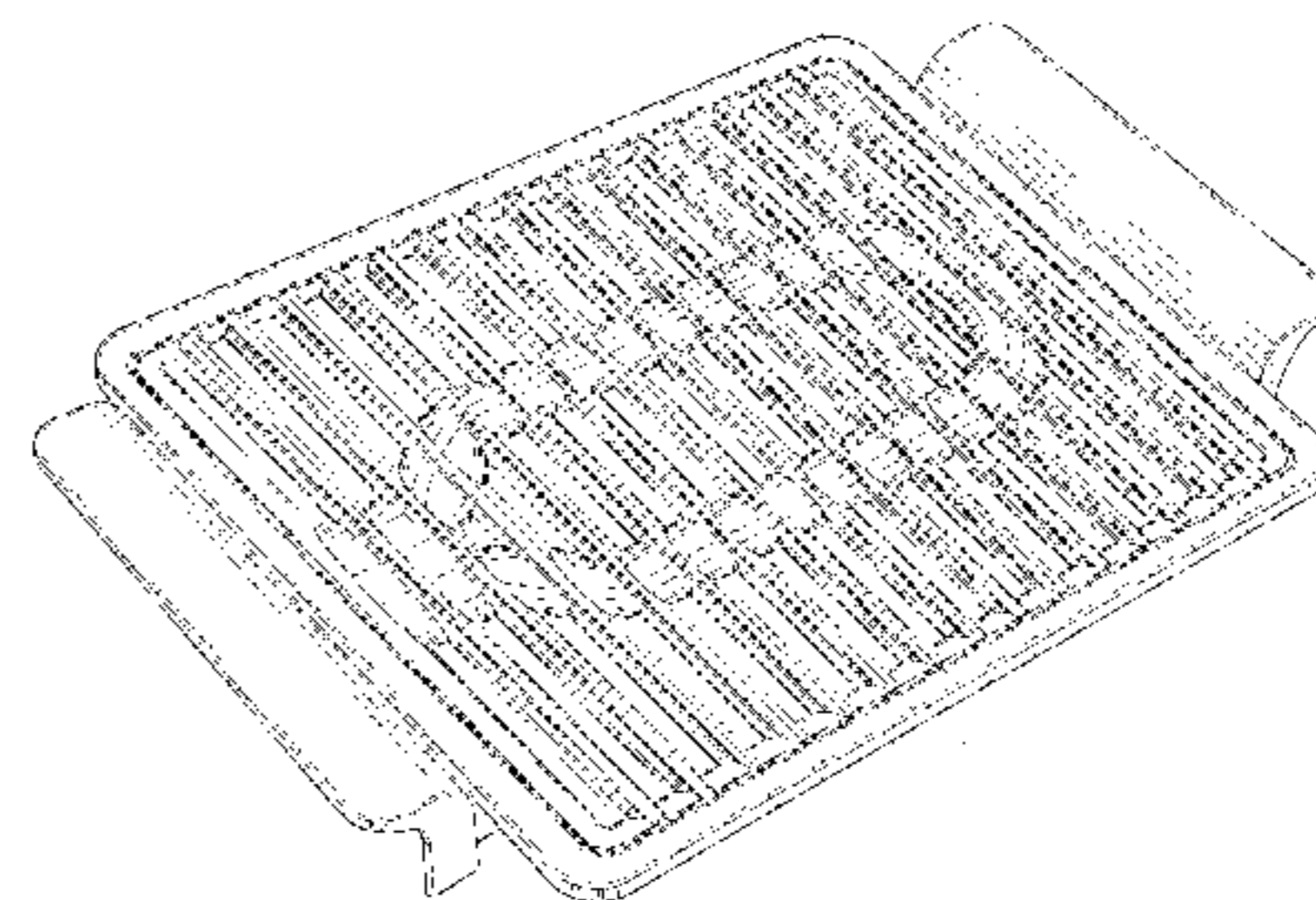
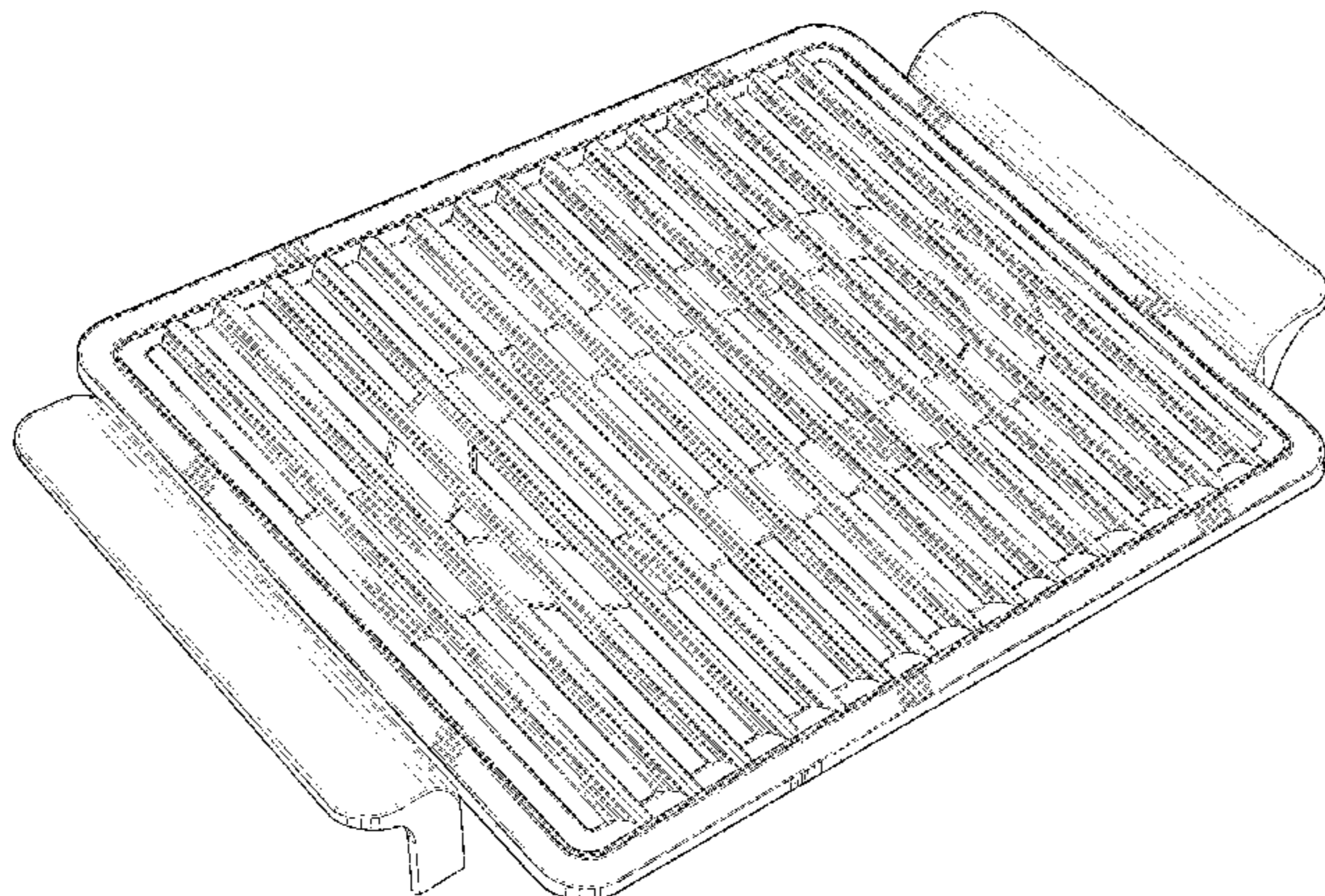
(56) **References Cited**

U.S. PATENT DOCUMENTS

D192,671 S * 4/1962 Lerner D7/363
D204,779 S * 5/1966 Painter D7/365

(Continued)

1 Claim, 12 Drawing Sheets



(56)

References Cited

U.S. PATENT DOCUMENTS

D326,030 S * 5/1992 Silver D7/337
 D351,083 S 10/1994 O'Brien
 5,355,779 A 10/1994 O'Brien et al.
 D369,059 S * 4/1996 Carnovali D7/362
 5,524,528 A * 6/1996 Yeh A47J 37/0709
 219/459.1
 D375,857 S * 11/1996 De Blois D6/705.7
 D377,134 S 1/1997 Des Touche
 D380,342 S 7/1997 Edmonds
 D415,927 S * 11/1999 Weber D7/363
 D416,167 S * 11/1999 Barker D7/363
 6,024,014 A 2/2000 Kasai
 D424,367 S * 5/2000 Choi D7/363
 D431,152 S * 9/2000 Lee D7/362
 D432,852 S 10/2000 Mosher, II et al.
 D436,796 S * 1/2001 Kalina D7/363
 D437,183 S * 2/2001 Wong D7/362
 D441,250 S 5/2001 Choi
 D444,667 S * 7/2001 Wong D7/362

6,262,399 B1 * 7/2001 Lau A47J 37/0676
 219/450.1
 D452,630 S 1/2002 Choi
 D457,393 S 5/2002 Lewis
 D473,419 S * 4/2003 Garman D7/363
 D484,737 S 1/2004 Bodum
 D505,044 S 5/2005 Hei
 7,475,630 B2 * 1/2009 Steinberg A47J 37/0676
 219/452.13
 D618,047 S * 6/2010 Seymour D7/367
 D660,640 S * 5/2012 De'Longhi D7/354
 D702,500 S * 4/2014 Ishii D7/409
 D726,494 S * 4/2015 Mazoyer D7/362
 D730,108 S * 5/2015 Louloudakis D7/362
 D730,109 S 5/2015 Louloudakis et al.
 D732,336 S * 6/2015 Mazoyer D7/363
 D738,684 S * 9/2015 Funnell, II D7/354
 D758,785 S 6/2016 Verbrugge
 D760,018 S * 6/2016 Koszylko D7/352
 D804,898 S * 12/2017 Hollinger D7/409
 D804,899 S * 12/2017 Hollinger D7/409
 2016/0227964 A1 8/2016 Van Zutphen et al.

* cited by examiner

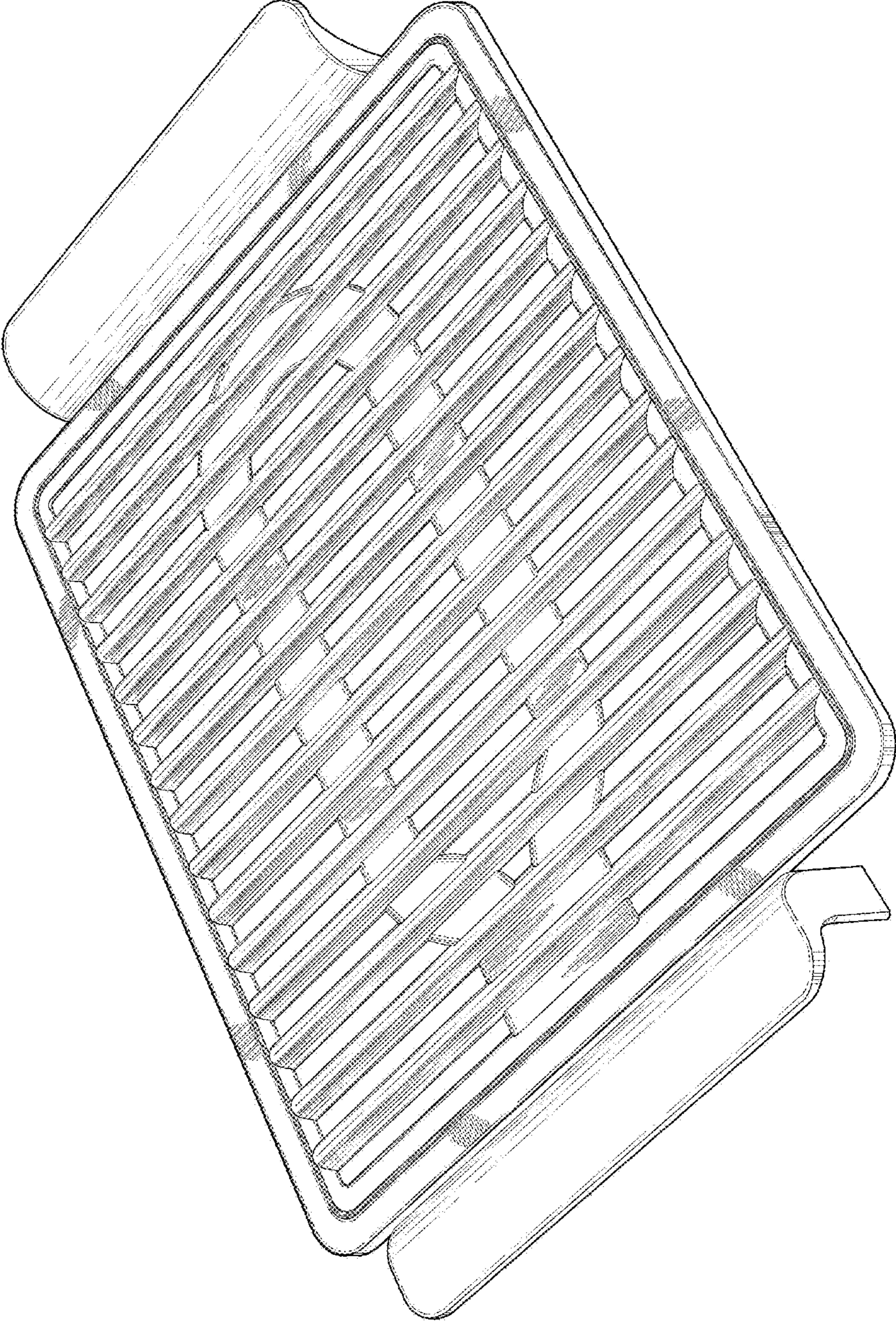


Fig. 1

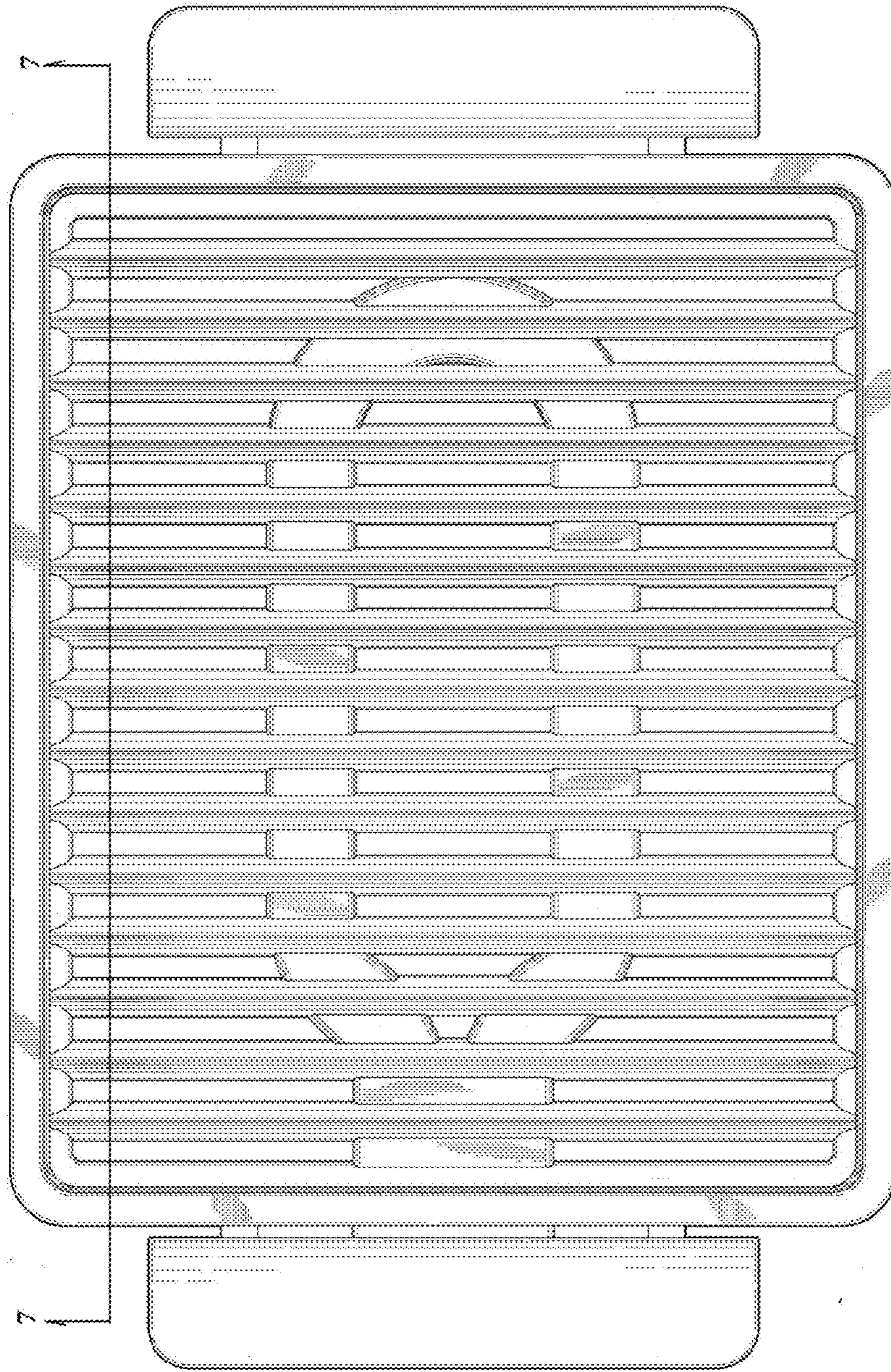


Fig. 2

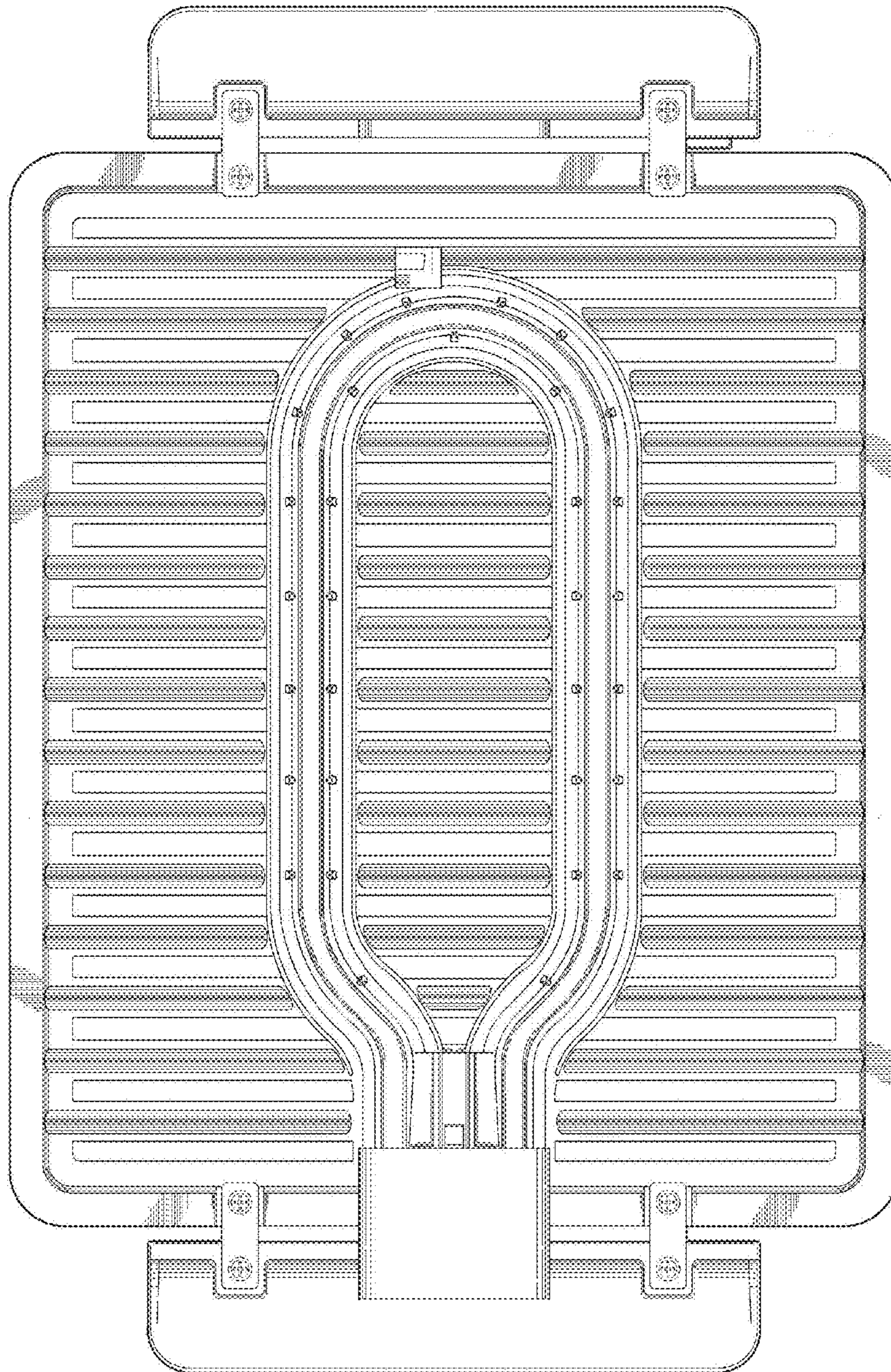


Fig. 3

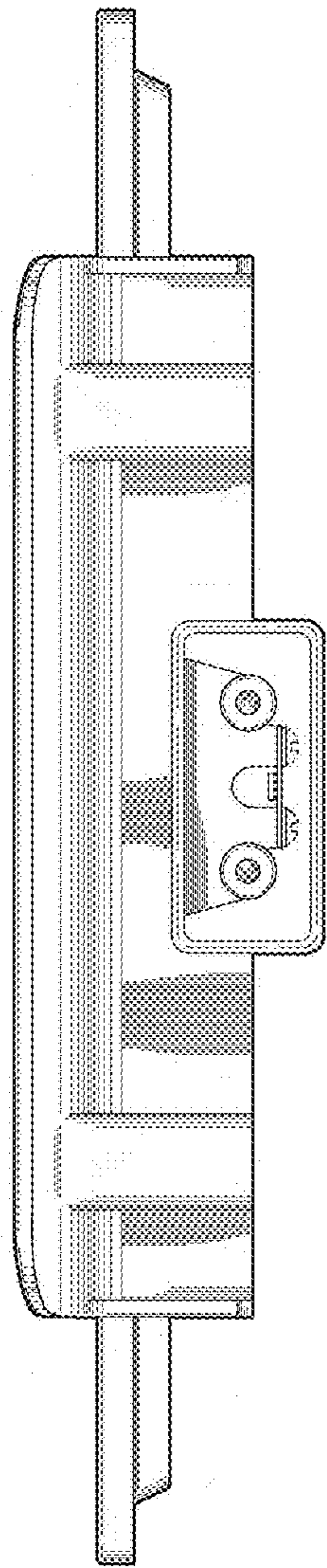


Fig. 4

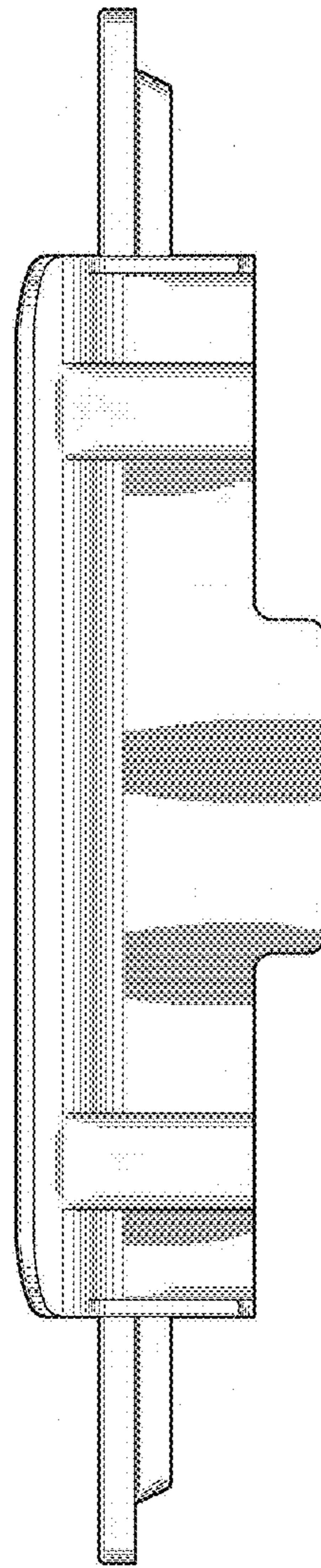


Fig. 5

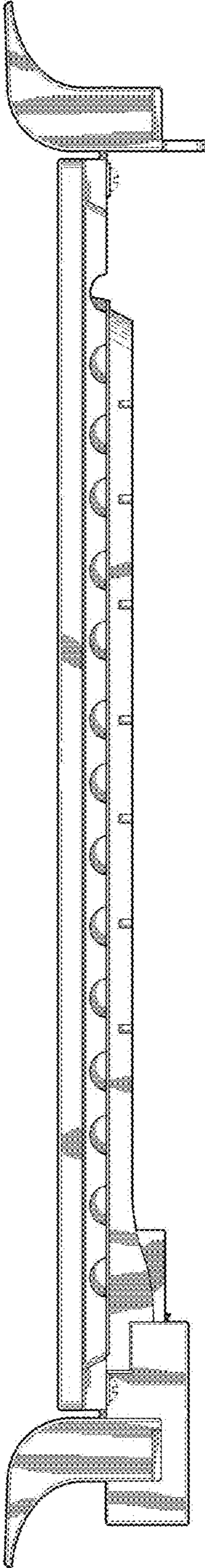


Fig. 6



Fig. 7

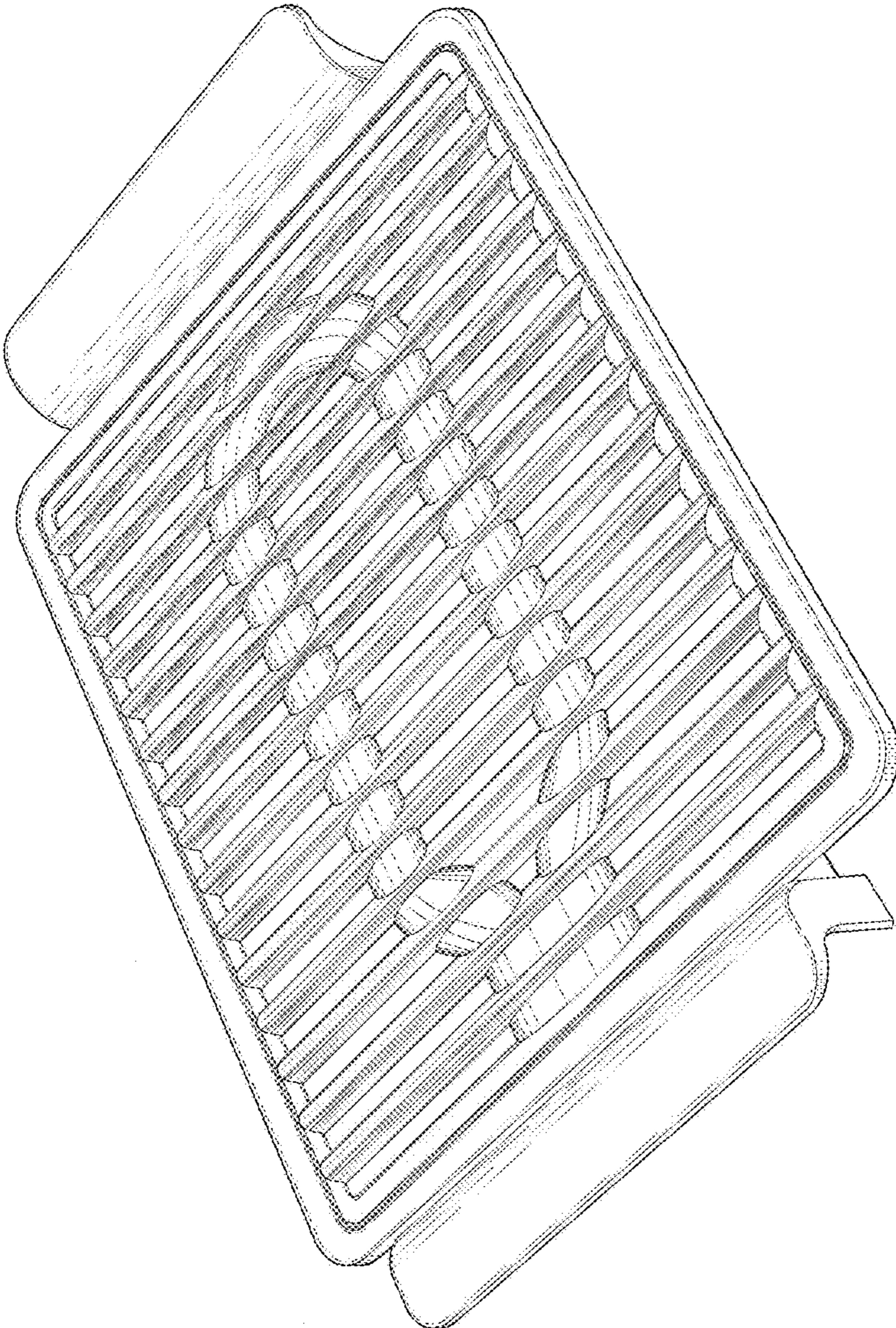


Fig. 8

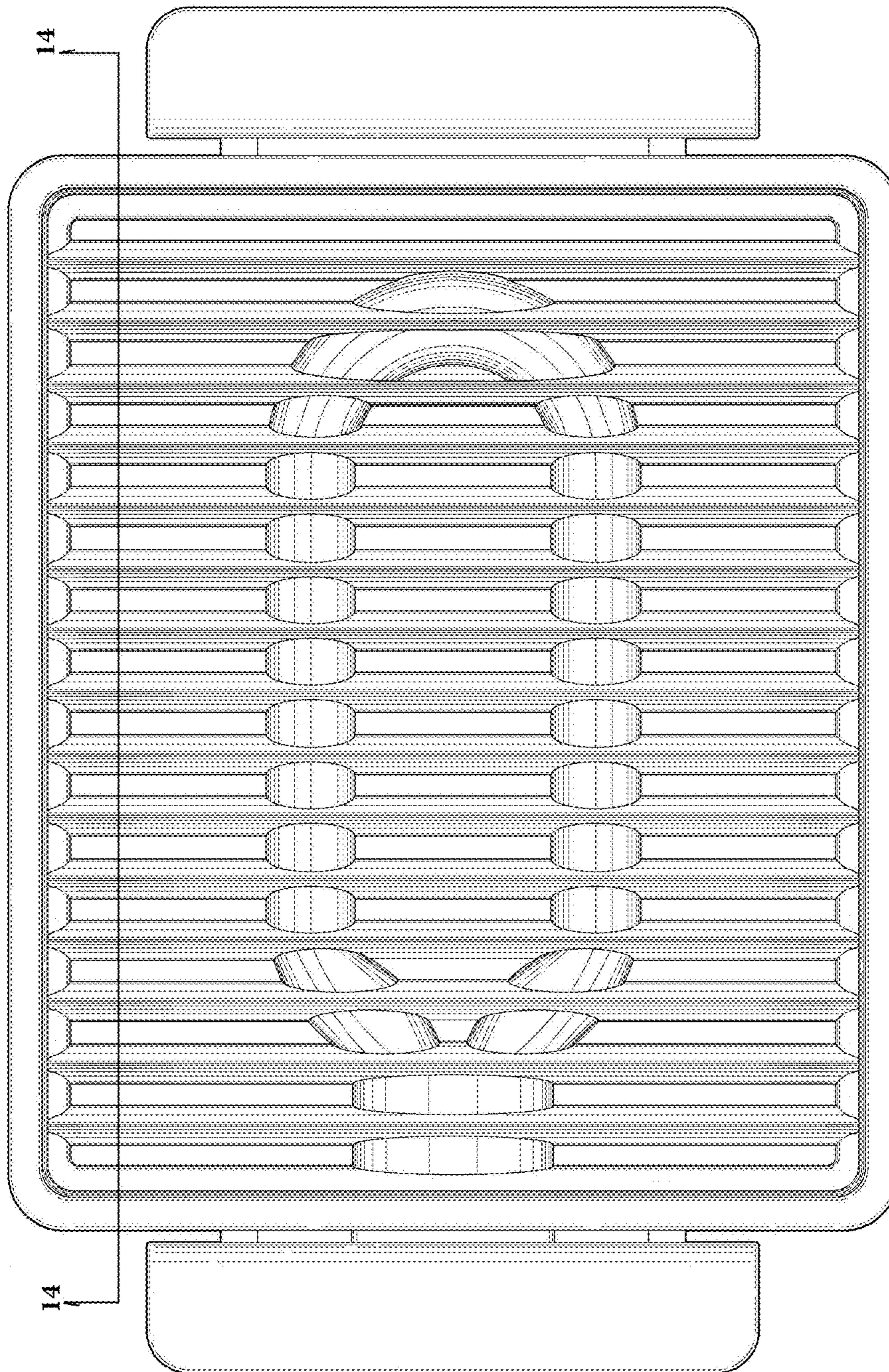


Fig. 9

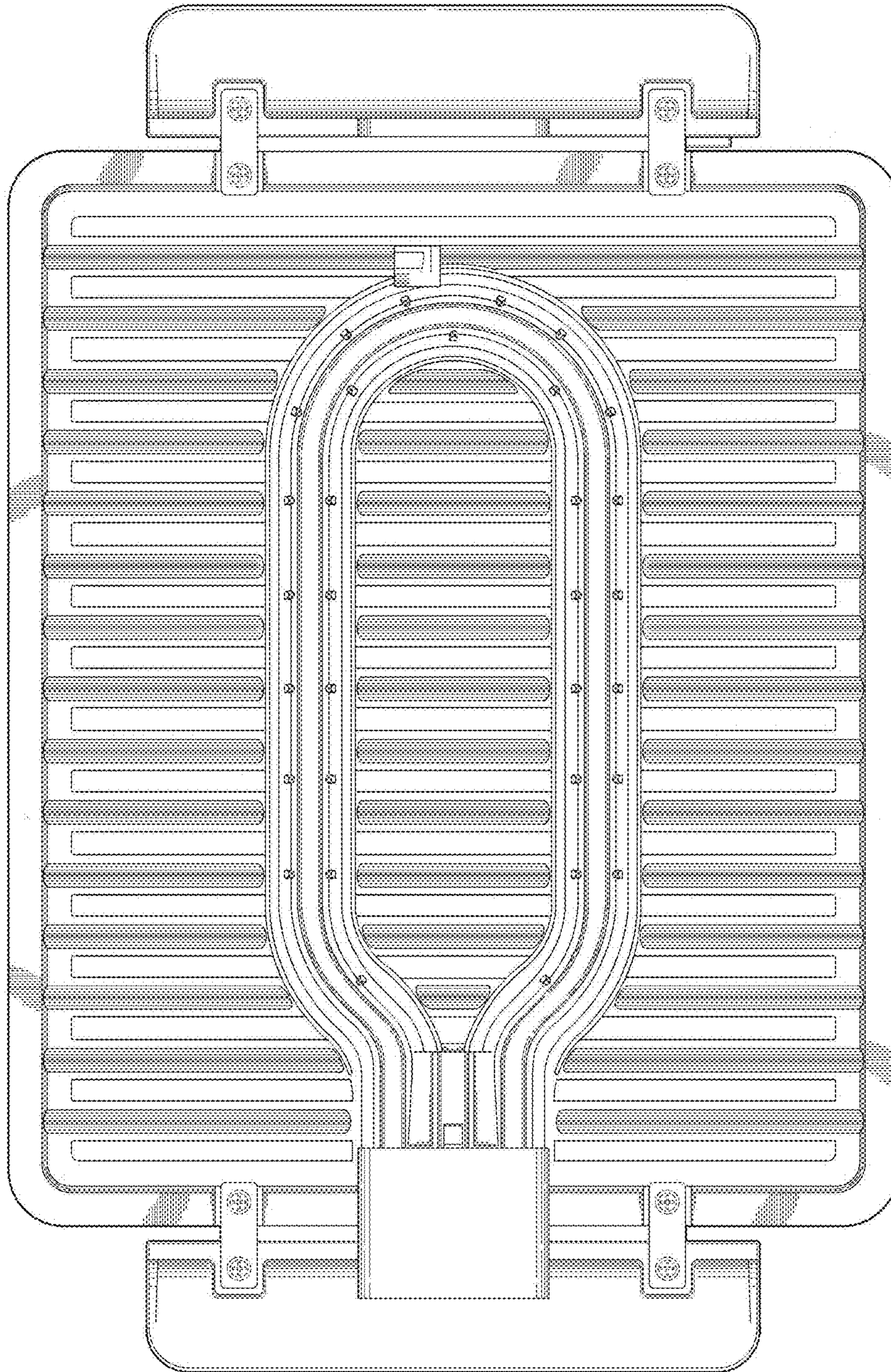


Fig. 10

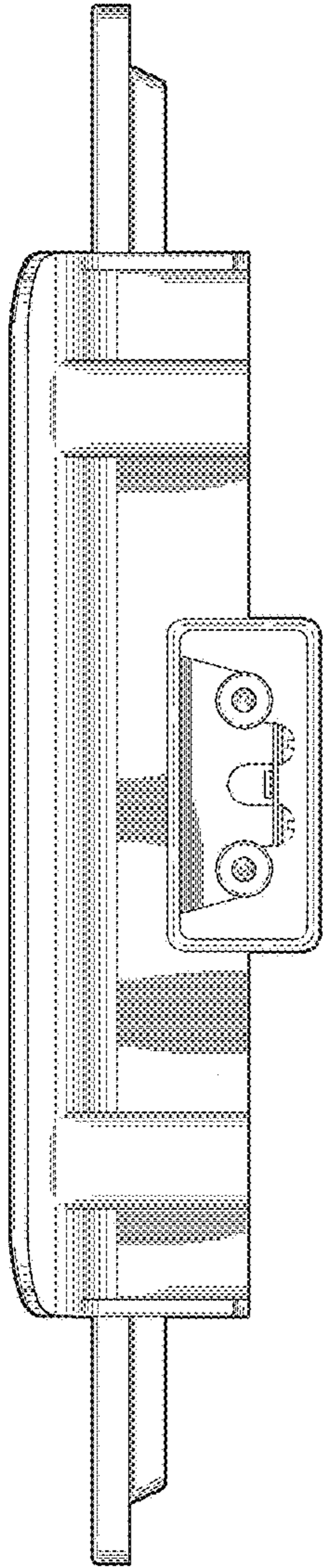


Fig. 11

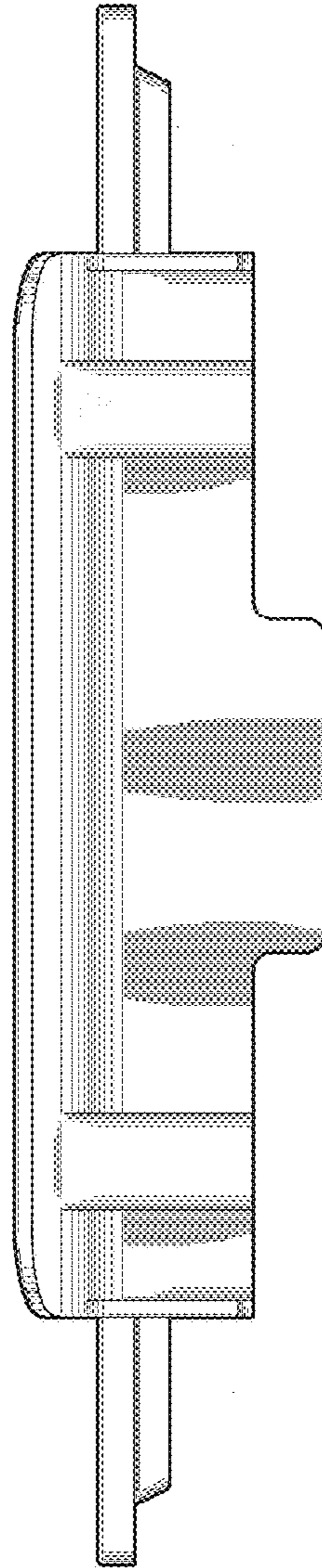


Fig. 12

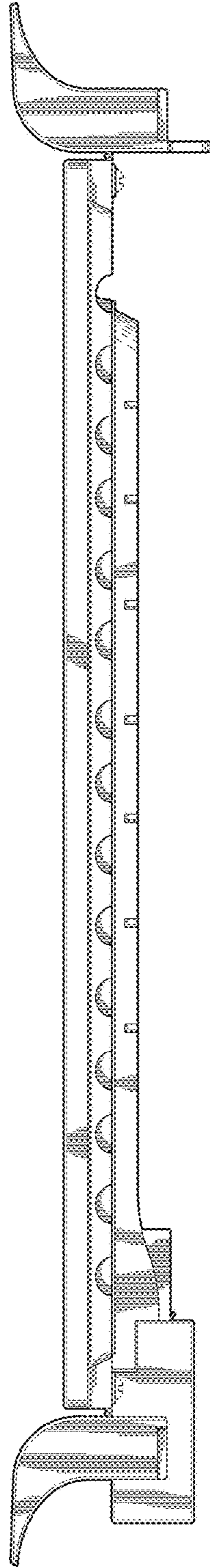


Fig. 13



Fig. 14