



US00D813600S

(12) **United States Design Patent** (10) **Patent No.:** **US D813,600 S**
Lo (45) **Date of Patent:** **** Mar. 27, 2018**

(54) **KNIFE HANDLE IN THE MAZE PATTERN**

(56) **References Cited**

(71) Applicant: **Wai Kim Lo**, Hong Kong (CN)

U.S. PATENT DOCUMENTS

(72) Inventor: **Wai Kim Lo**, Hong Kong (CN)

D356,868 S * 3/1995 Broberg D24/156
D359,672 S * 6/1995 Gardiner D8/97
D503,802 S * 4/2005 Bjarnason D24/155
D523,149 S * 6/2006 Bjarnason D2/610
7,118,602 B2 * 10/2006 Bjarnason A61F 2/7812

(73) Assignee: **Wai Kim Lo**, Hong Kong (CN)

623/32
D579,267 S * 10/2008 Simha D7/395
D659,466 S * 5/2012 Wheeler D7/395
D679,941 S * 4/2013 Sigel D7/395
9,248,032 B2 * 2/2016 Gunnarsson A61F 2/7812
2003/0120279 A1 * 6/2003 Hansson A61B 17/863
433/174

(**) Term: **15 Years**

(21) Appl. No.: **29/570,579**

(22) Filed: **Jul. 9, 2016**

(51) **LOC (11) Cl.** **07-03**

(52) **U.S. Cl.**

USPC **D7/401.2**; D7/649

(58) **Field of Classification Search**

USPC D7/393–395, 401.2, 642–652, 693,
D7/695–696; D8/93, 97–100, 107, 300,
D8/321; D22/117–118; D24/155–156,
D24/190

CPC A01B 1/20; A01B 1/22; A22C 25/006;
A47G 21/06; A47G 21/065; A61B
17/3211; A61B 17/3213; A61B 17/863;
A61F 2/7812; B21D 53/64; B25G 3/36;
B26B 1/00; B26B 1/08; B26B 1/10;
B26B 3/00; B26B 3/02; B26B 3/03;
B26B 3/04; B26B 3/06; B26B 5/00;
B26B 5/001; B26B 5/007; B26B 7/00;
B26B 7/005; B26B 9/00; B26B 9/02;
B26B 11/00; B26B 11/006; B26B 17/00;
B26B 17/006; B26B 29/02

See application file for complete search history.

* cited by examiner

Primary Examiner — Ricky Pham

(74) *Attorney, Agent, or Firm* — Gaff Myer IPS Limited

(57) **CLAIM**

A new design for a knife handle in the maze pattern, as shown and described.

DESCRIPTION

FIG. 1 is a perspective view of the knife handle in the maze pattern;
FIG. 2 is a front view of the knife handle in the maze pattern;
FIG. 3 is a back view of the knife handle in the maze pattern;
FIG. 4 is a top view of the knife handle;
FIG. 5 is a bottom view of the knife handle;
FIG. 6 is an enlarged left view of the knife handle; and,
FIG. 7 is an enlarged right view of the knife handle.
The broken lines shown in the drawings are for illustrative purposes only and form no part of the claimed design.

1 Claim, 7 Drawing Sheets

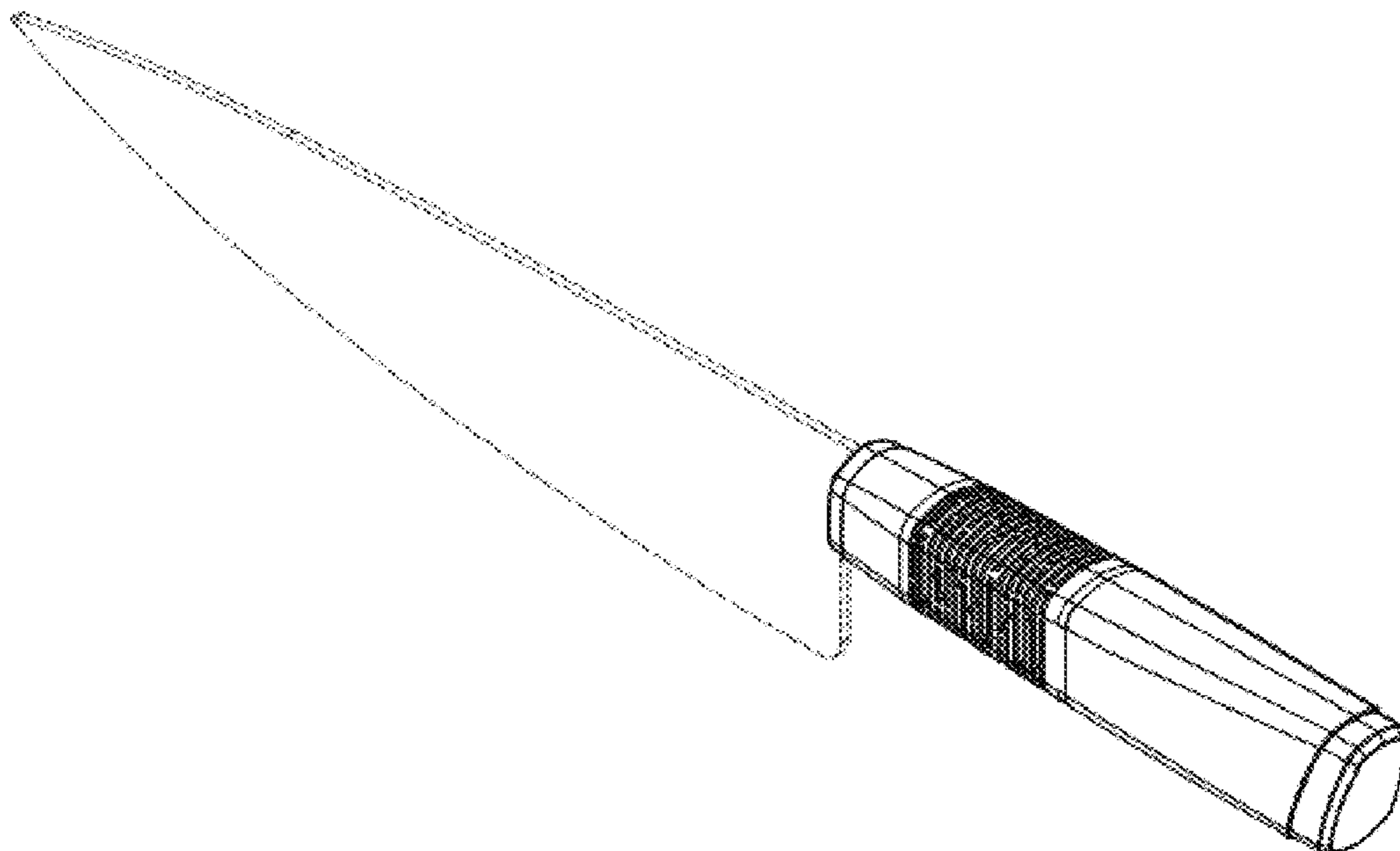


Fig. 1

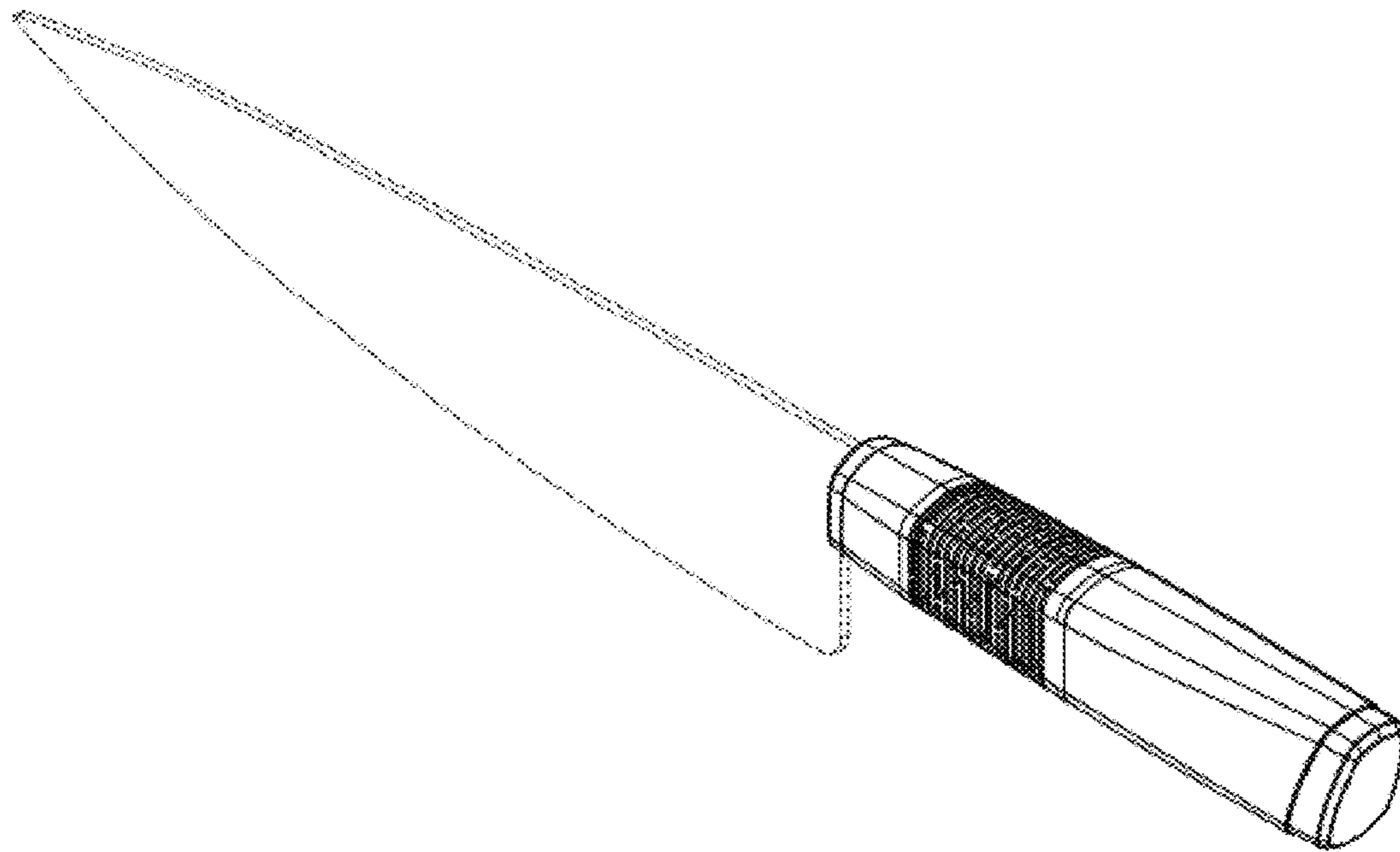


Fig. 2

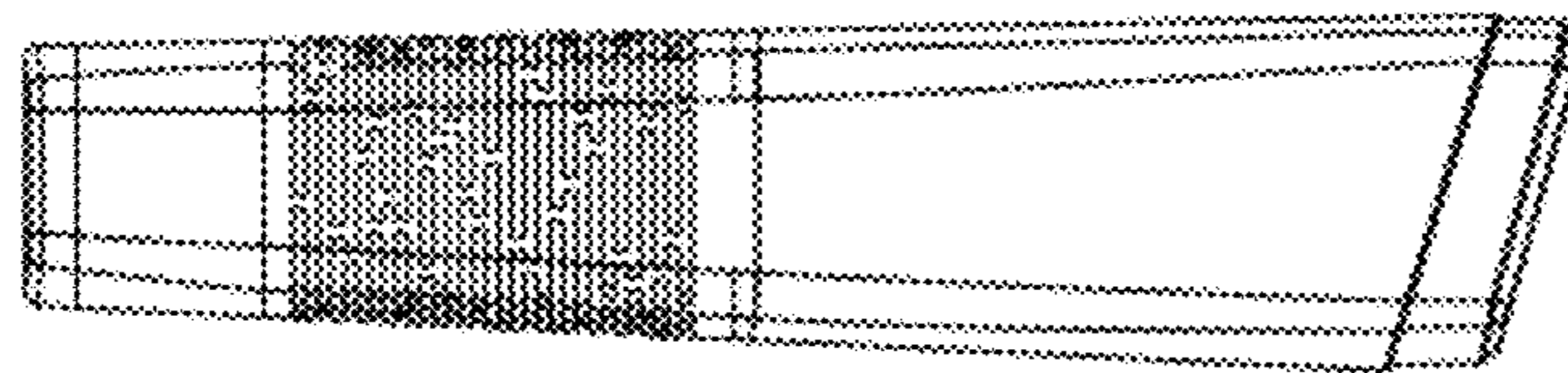


Fig. 3

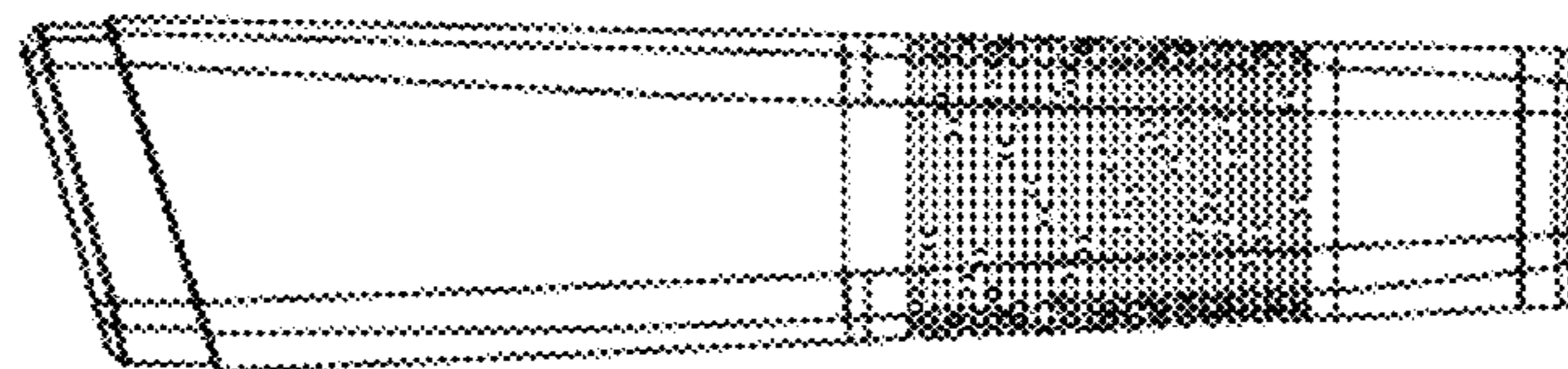


Fig. 4



Fig. 5

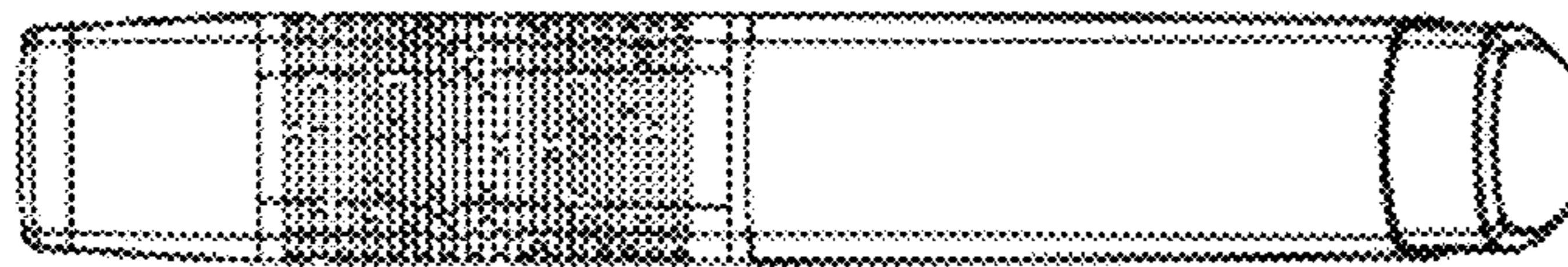


Fig. 6

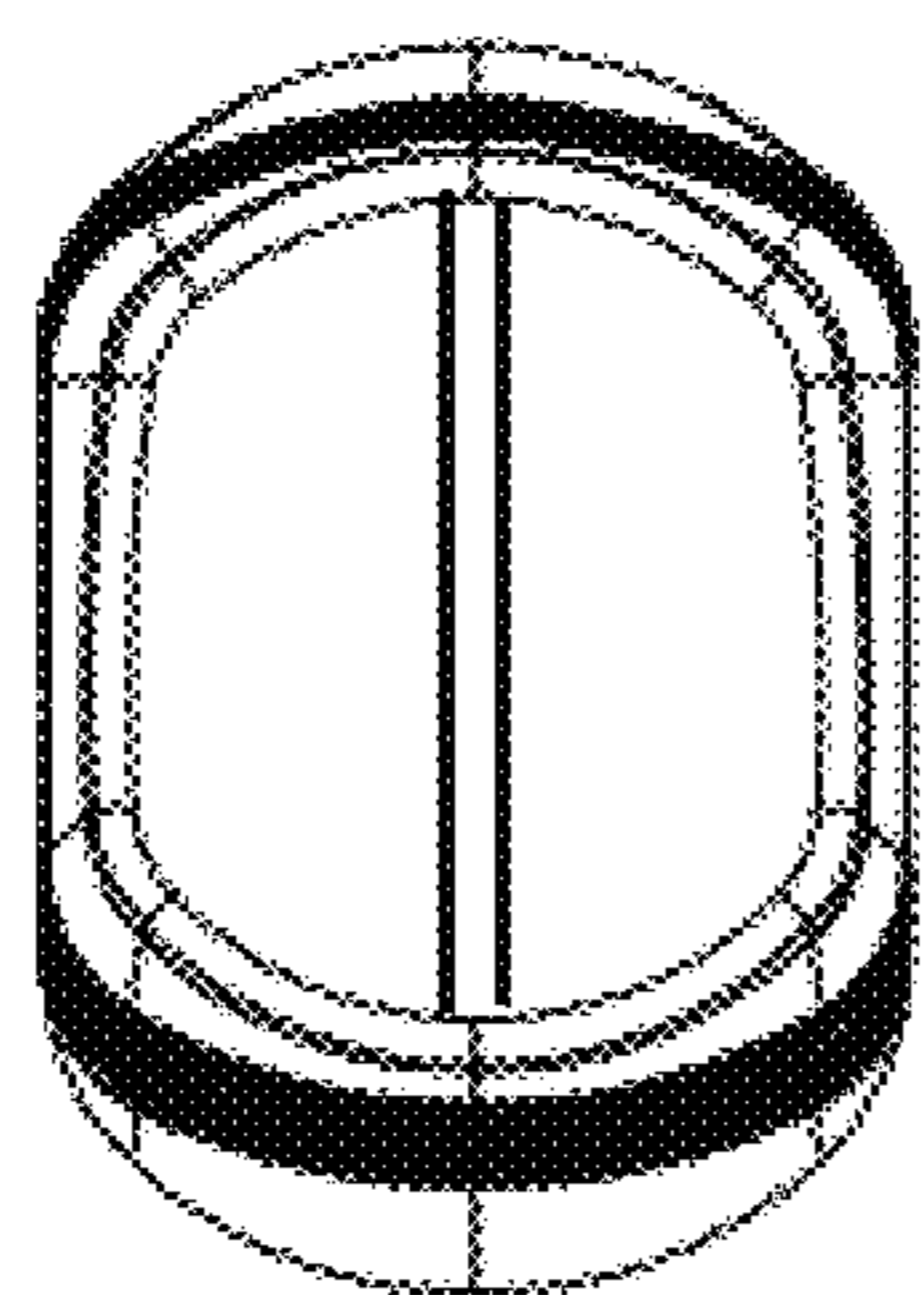


Fig. 7

