



US00D813599S

(12) **United States Design Patent**
Gallagher

(10) **Patent No.:** **US D813,599 S**

(45) **Date of Patent:** **** Mar. 27, 2018**

(54) **ILLUMINATED WATER BOTTLE
DISPENSER BASE AND PIERCING TOOL
HOLDER**

(71) Applicant: **Kenneth John Gallagher**, Las Vegas,
NV (US)

(72) Inventor: **Kenneth John Gallagher**, Las Vegas,
NV (US)

(**) Term: **15 Years**

(21) Appl. No.: **29/559,567**

(22) Filed: **Mar. 29, 2016**

(51) **LOC (11) Cl.** **07-99**

(52) **U.S. Cl.**
USPC **D7/397**; D7/622; D7/400; D7/399

(58) **Field of Classification Search**
USPC D7/619.1, 624.1, 704, 397, 622, 620,
D7/602, 399, 400, 601; 224/551;
220/743, 741; 215/396, 395; D9/443,
D9/455, 434; D6/556; D30/133, 121
CPC A47G 23/0266; A47G 23/0258; A47G
23/0241
See application file for complete search history.

(56) **References Cited**

U.S. PATENT DOCUMENTS

- 1,474,077 A * 11/1923 Grundhand A47G 23/0266
15/246
- D154,588 S * 7/1949 Collins 215/395
- 2,754,078 A * 7/1956 Koger B60N 3/102
248/222.11
- 2,780,081 A * 2/1957 Alexander A47J 31/44
141/341
- 2,981,562 A * 4/1961 Long A47G 23/0241
215/12.1
- D211,818 S * 7/1968 Massey D7/622
- 3,979,011 A * 9/1976 Schleicher A47G 23/0266
220/287

- 4,071,175 A * 1/1978 Wagnon B62J 11/00
224/414
- D255,437 S * 6/1980 Allgood, II D11/133
- D279,836 S * 7/1985 Tanaka D12/420
- D283,578 S * 4/1986 Kawaguchi D7/622
- D289,726 S * 5/1987 Greutert D7/310
- D291,168 S * 8/1987 Cranford D7/620
- D302,527 S * 8/1989 Spies D7/622
- D307,224 S * 4/1990 Mizukami D7/619.1
- D361,461 S * 8/1995 Linzenbold D6/556
- D371,279 S * 7/1996 Marguerie D7/620
- D371,943 S * 7/1996 Ramirez D7/622
- D395,238 S * 6/1998 Freitas D9/455
- D395,825 S * 7/1998 Freitas D9/455
- D440,458 S * 4/2001 Ohu D7/300
- D562,504 S * 2/2008 Parks D30/121
- D593,859 S * 6/2009 Barnum D7/622
- D663,579 S * 7/2012 Yang D7/300
- D690,992 S * 10/2013 Ball D7/399
- D740,618 S * 10/2015 Knoll D7/622

(Continued)

Primary Examiner — Marianne Pandozzi

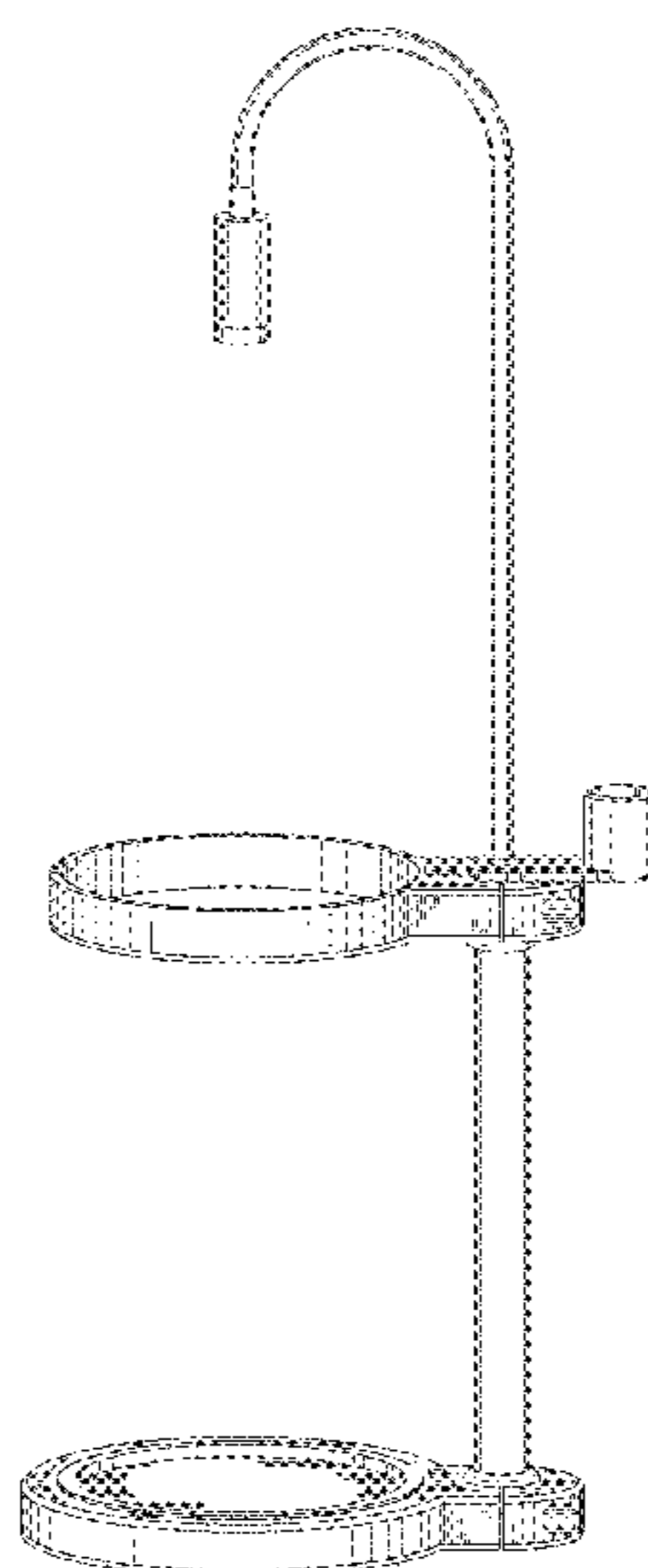
(57) **CLAIM**

The ornamental design for an illuminated water bottle dispenser base and piercing tool holder, as shown.

DESCRIPTION

FIG. 1—is a right side perspective view of my illuminated water bottle dispenser base and piercing tool holder showing my new design;
 FIG. 2—is a left side perspective view thereof;
 FIG. 3—is a left side elevational view thereof;
 FIG. 4—is a front elevational view thereof;
 FIG. 5—is a right side elevational view thereof;
 FIG. 6—is a rear elevational view thereof;
 FIG. 7—is a top plan view thereof;
 FIG. 8—is a bottom plan view thereof; and,
 FIG. 9—is an exploded left side perspective view thereof.

1 Claim, 5 Drawing Sheets



(56)

References Cited

U.S. PATENT DOCUMENTS

D760,618 S *	7/2016	Yatsugi-Kang	D11/43
D769,672 S *	10/2016	Gallagher	D7/397
D775,890 S *	1/2017	Gallagher	D7/397
D799,279 S *	10/2017	McGraw	D7/622

* cited by examiner

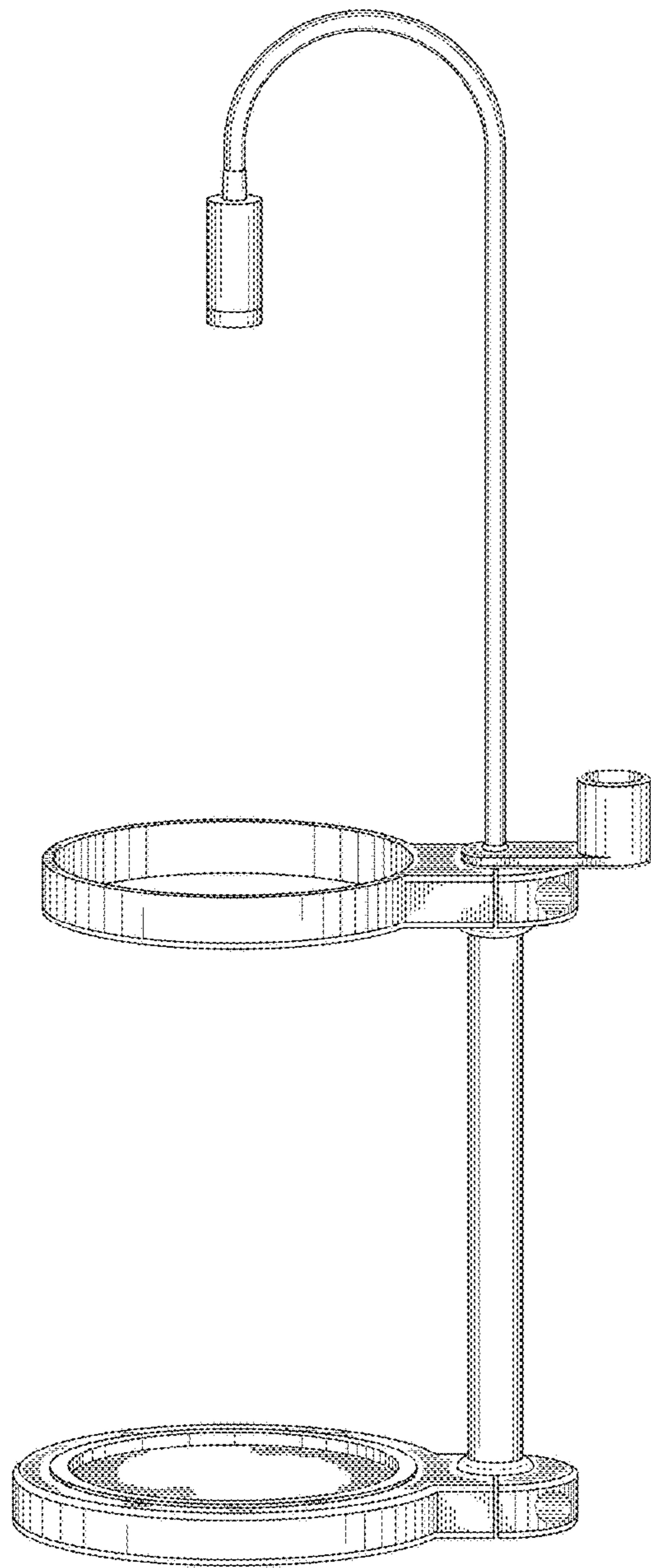


FIG. 1

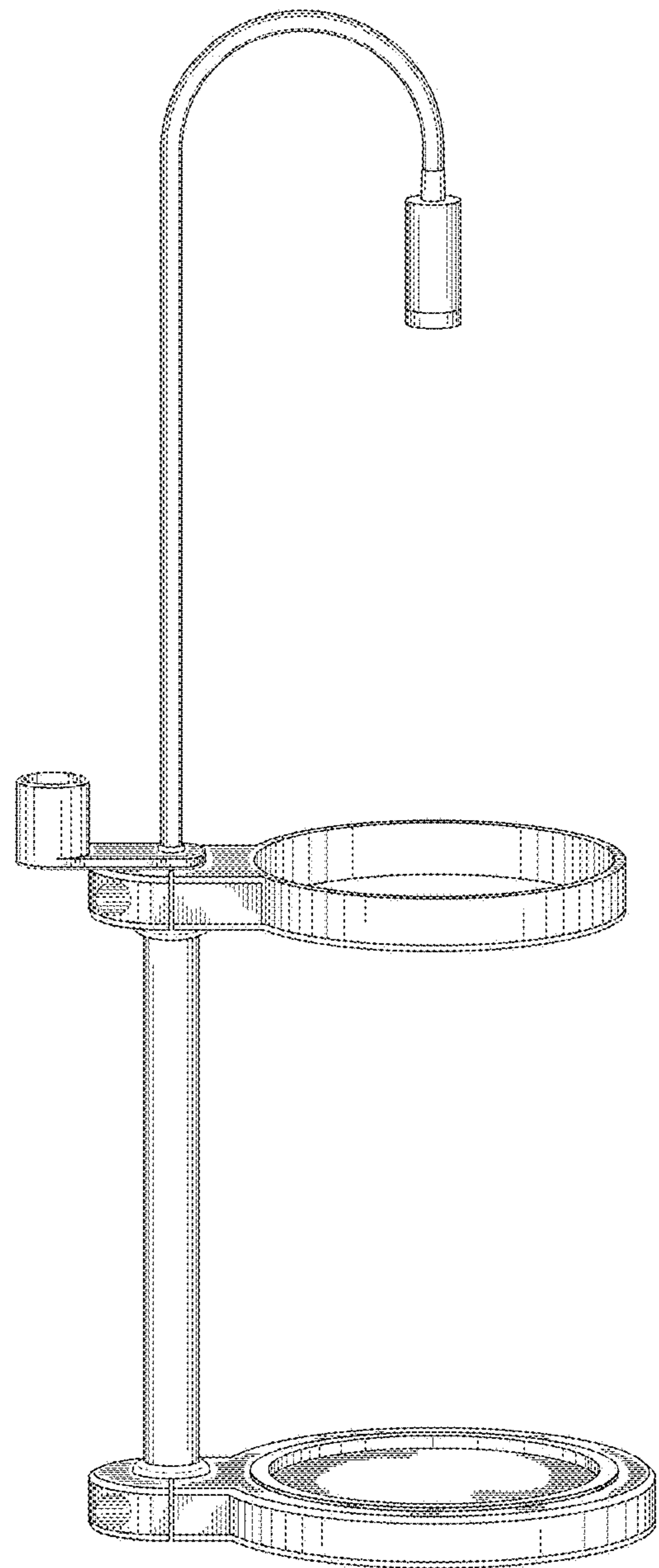


FIG. 2

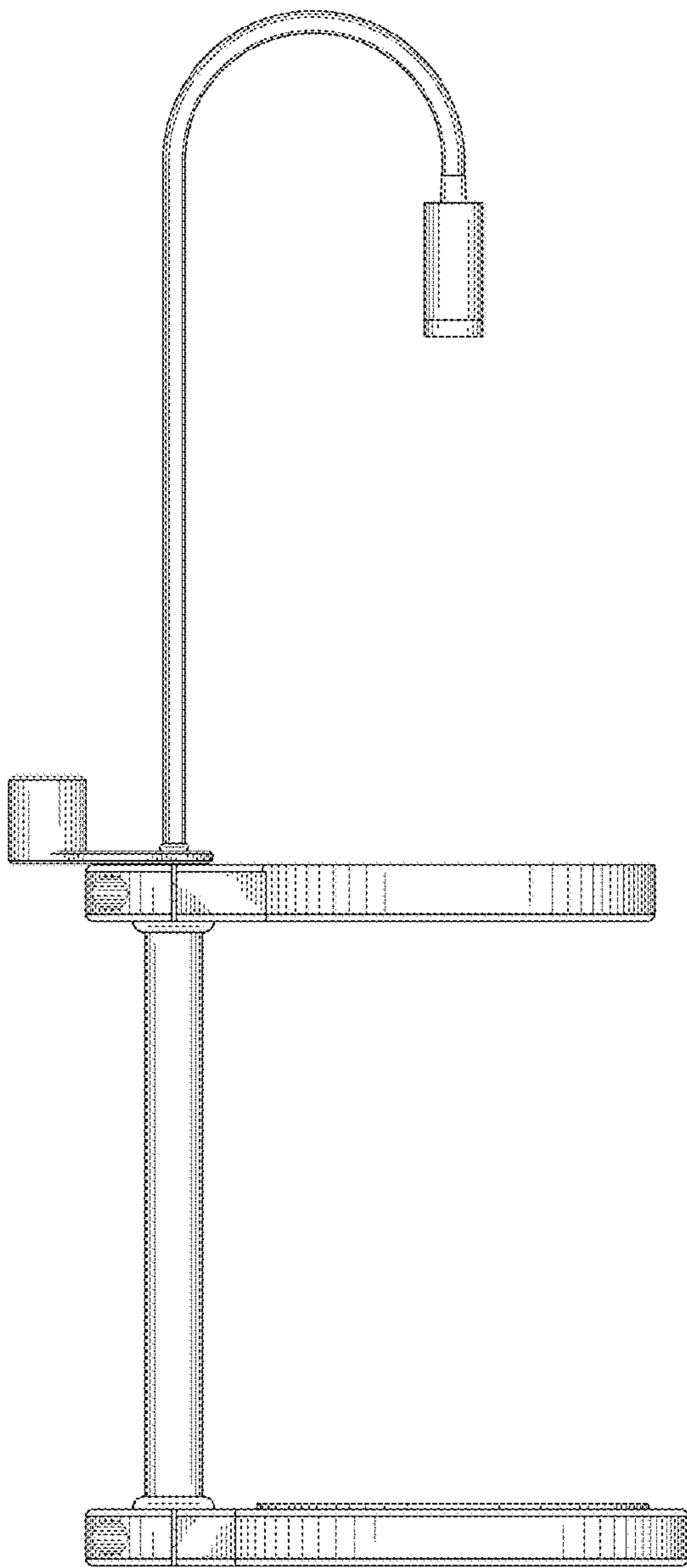


FIG. 3

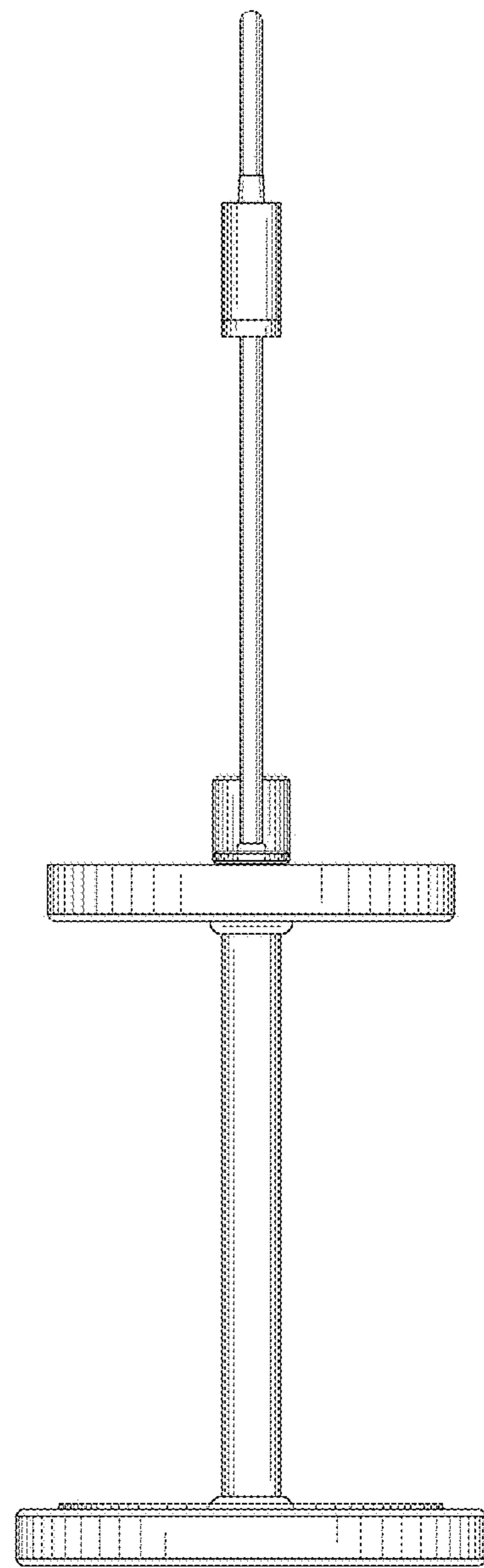


FIG. 4

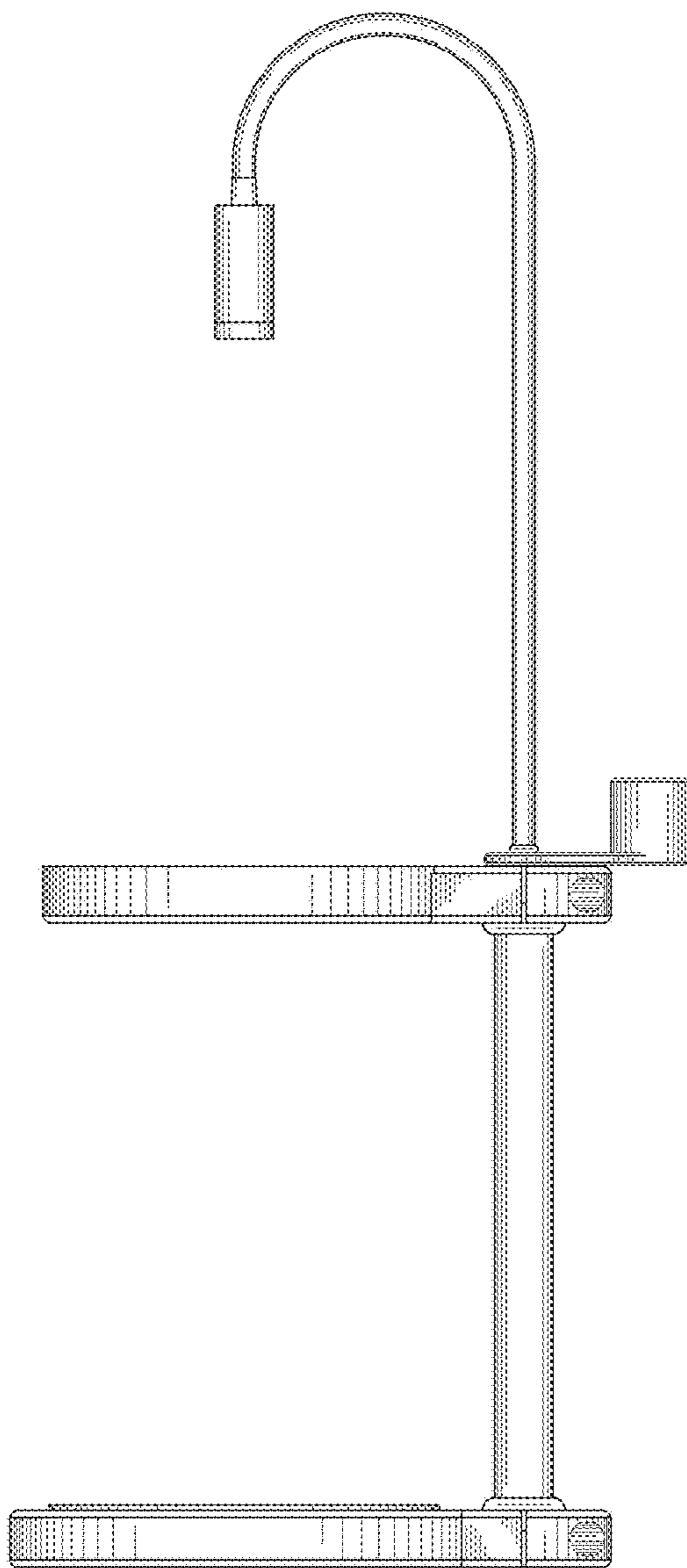


FIG. 5

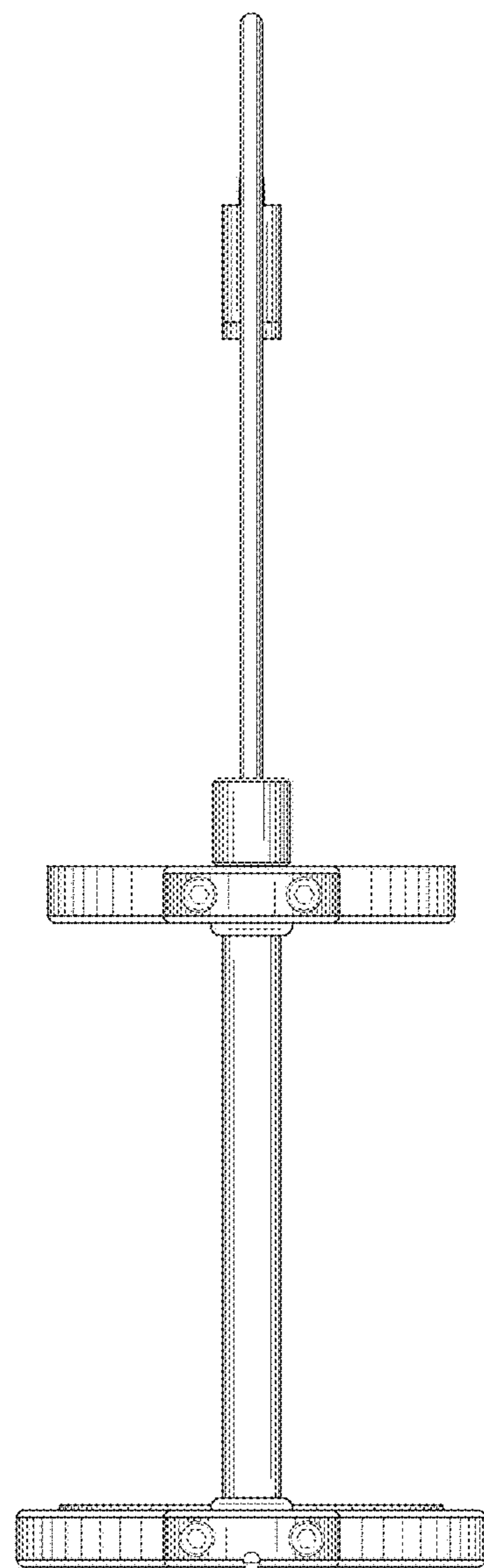


FIG. 6

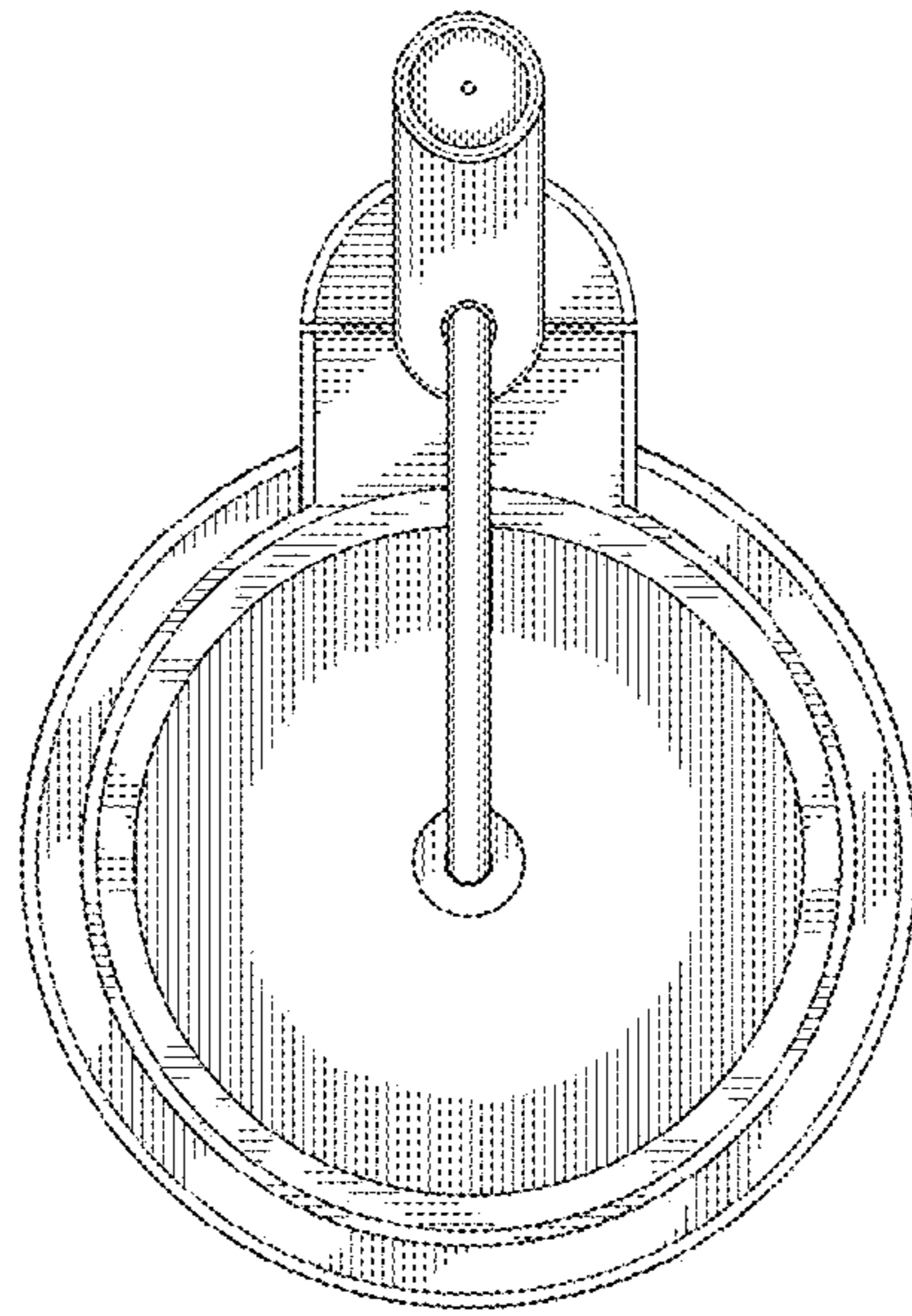


FIG. 7

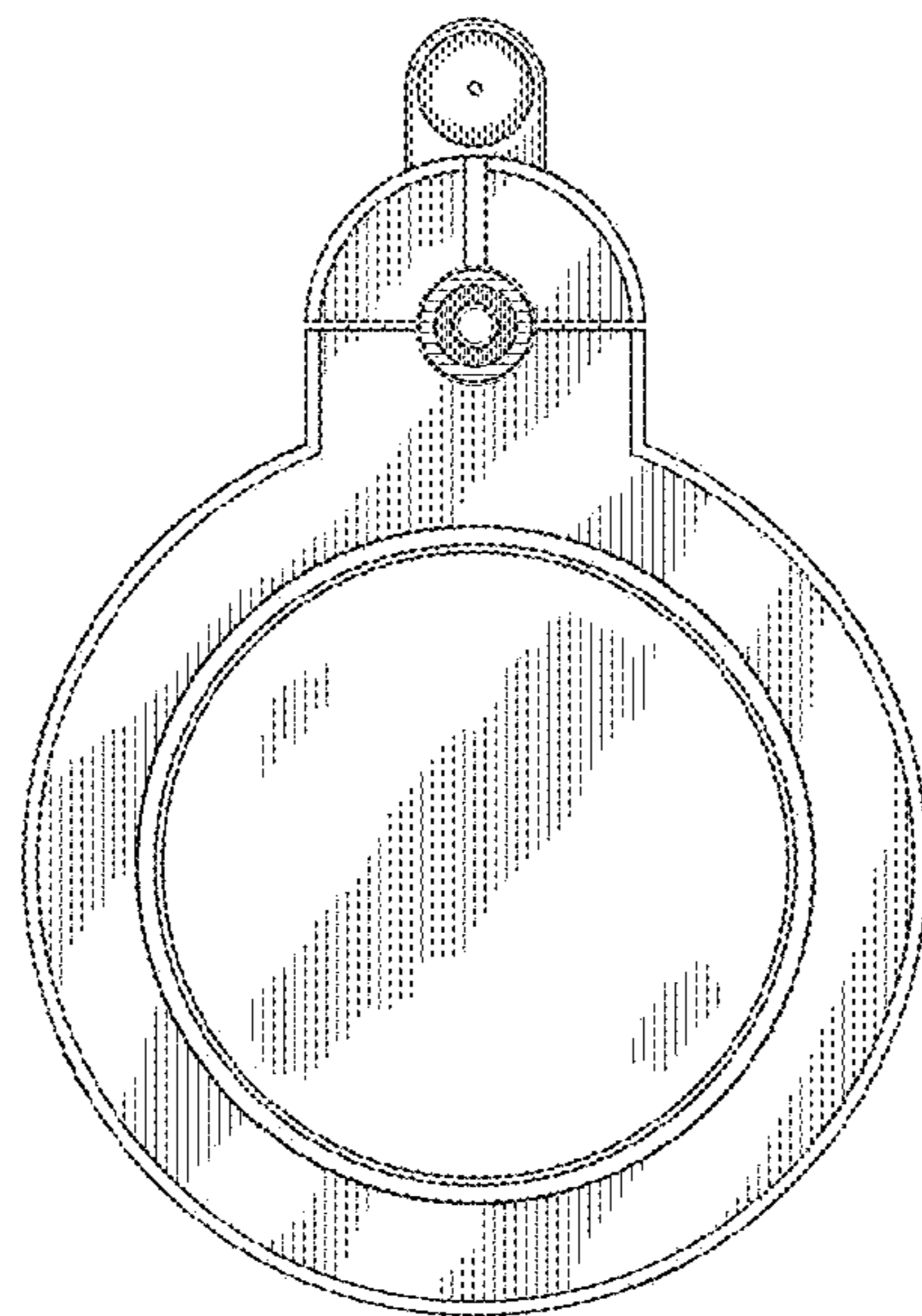


FIG. 8

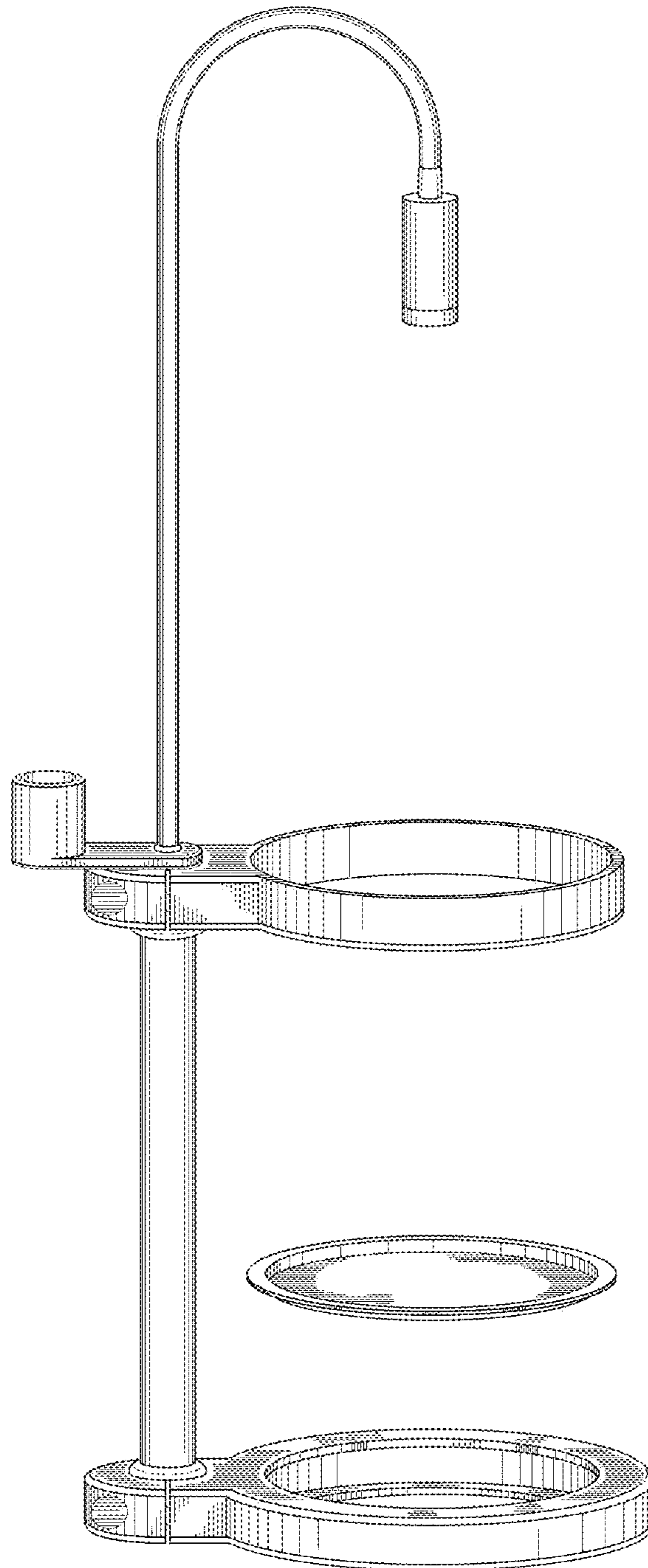


FIG. 9