



US00D813598S

(12) **United States Design Patent**
Gallagher

(10) **Patent No.:** **US D813,598 S**
(45) **Date of Patent:** **** Mar. 27, 2018**

- (54) **ILLUMINATED WATER BOTTLE DISPENSER BASE AND PIERCING TOOL HOLDER**
- (71) Applicant: **Kenneth John Gallagher**, Las Vegas, NV (US)
- (72) Inventor: **Kenneth John Gallagher**, Las Vegas, NV (US)
- (**) Term: **15 Years**
- (21) Appl. No.: **29/559,546**
- (22) Filed: **Mar. 29, 2016**
- (51) **LOC (11) Cl.** **07-99**
- (52) **U.S. Cl.**
USPC **D7/397; D7/622; D7/400; D7/399**
- (58) **Field of Classification Search**
USPC D7/619.1, 624.1, 704, 397, 622, 620, D7/602, 399, 400, 601; 224/551; 220/743, 741; 215/396, 395; D9/443, D9/455, 434; D6/556; D30/133, 121
CPC A47G 23/0266; A47G 23/0258; A47G 23/0241

See application file for complete search history.

4,071,175	A *	1/1978	Wagnon	B62J 11/00
					224/414
D255,437	S *	6/1980	Allgood, II	D11/133
D279,836	S *	7/1985	Tanaka	D12/420
D283,578	S *	4/1986	Kawaguchi	D7/622
D289,726	S *	5/1987	Greutert	D7/310
D291,168	S *	8/1987	Cranford	D7/620
D302,527	S *	8/1989	Spies	D7/622
D307,224	S *	4/1990	Mizukami	D7/619.1
D361,461	S *	8/1995	Linzenbold	D6/556
D371,279	S *	7/1996	Marguerie	D7/620
D371,943	S *	7/1996	Ramirez	D7/622
D395,238	S *	6/1998	Freitas	D9/455
D395,825	S *	7/1998	Freitas	D9/455
D440,458	S *	4/2001	Ohu	D7/300
D562,504	S *	2/2008	Parks	D30/121
D593,859	S *	6/2009	Barnum	D7/622
D663,579	S *	7/2012	Yang	D7/300
D690,992	S *	10/2013	Ball	D7/399
D740,618	S *	10/2015	Knoll	D7/622

(Continued)

Primary Examiner — Marianne Pandozzi

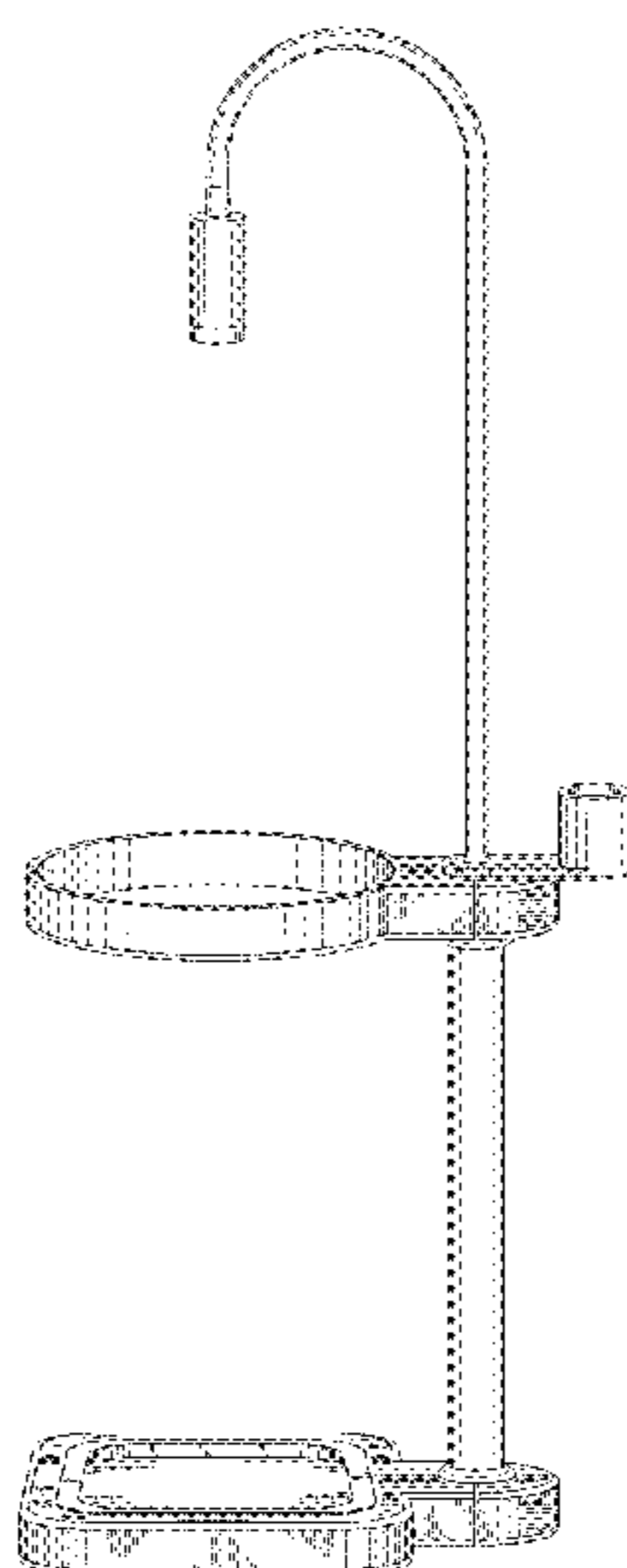
(57) **CLAIM**

The ornamental design for an illuminated water bottle dispenser base and piercing tool holder, as shown.

DESCRIPTION

- FIG. 1—is a right side perspective view of my illuminated water bottle dispenser base and piercing tool holder showing my new design;
- FIG. 2—is a left side perspective view thereof;
- FIG. 3—is a left side elevational view thereof;
- FIG. 4—is a front elevational view thereof;
- FIG. 5—is a right side elevational view thereof;
- FIG. 6—is a rear elevational view thereof;
- FIG. 7—is a top plan view thereof;
- FIG. 8—is a bottom plan view thereof; and,
- FIG. 9—is an exploded left side perspective view thereof.

1 Claim, 5 Drawing Sheets



(56)

References Cited

U.S. PATENT DOCUMENTS

D760,618 S	*	7/2016	Yatsugi-Kang	D11/43
D769,672 S	*	10/2016	Gallagher	D7/397
D775,890 S	*	1/2017	Gallagher	D7/397
D799,279 S	*	10/2017	McGraw	D7/622

* cited by examiner

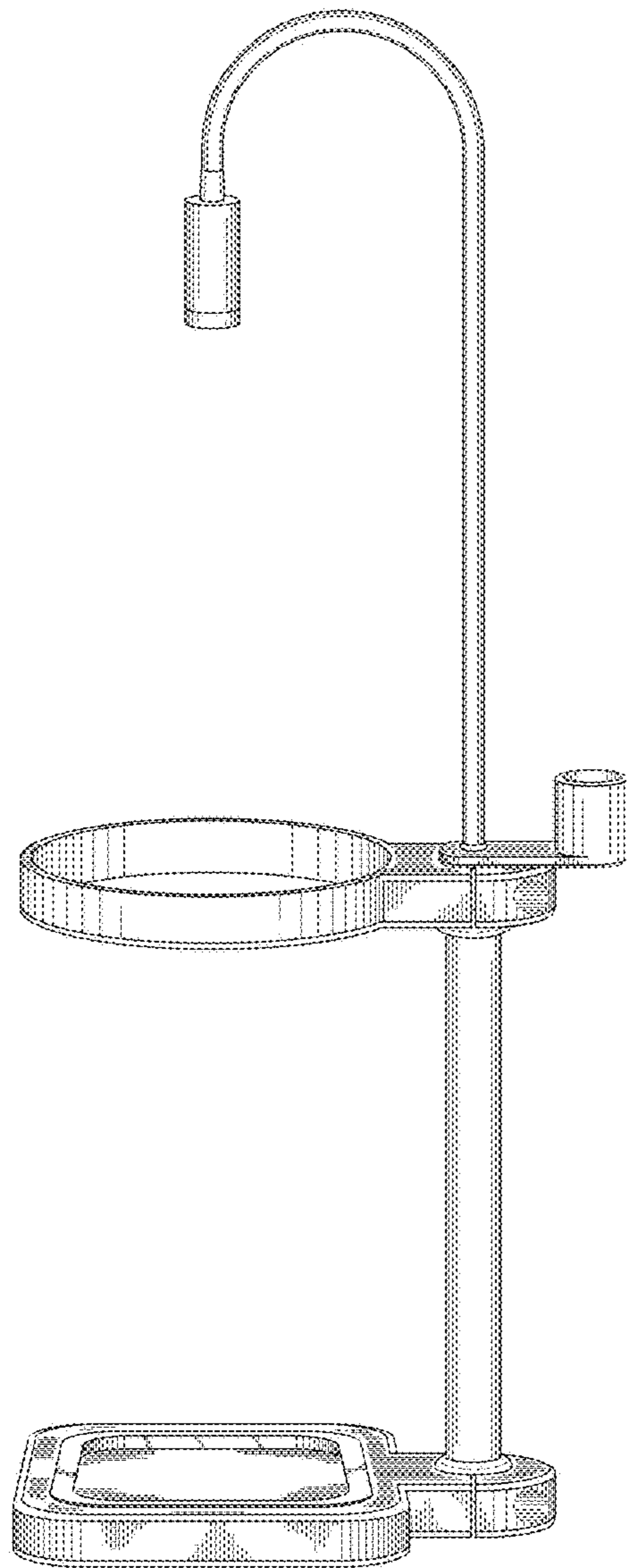


FIG. 1

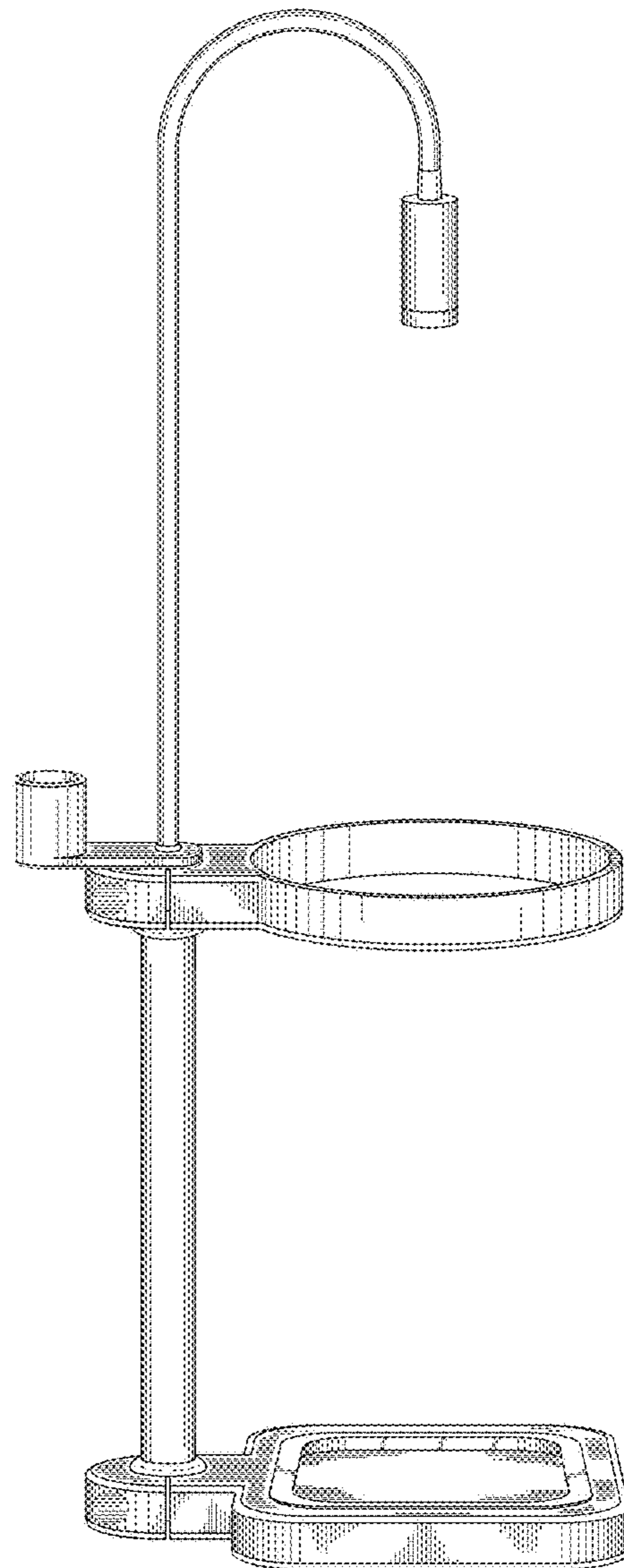


FIG. 2

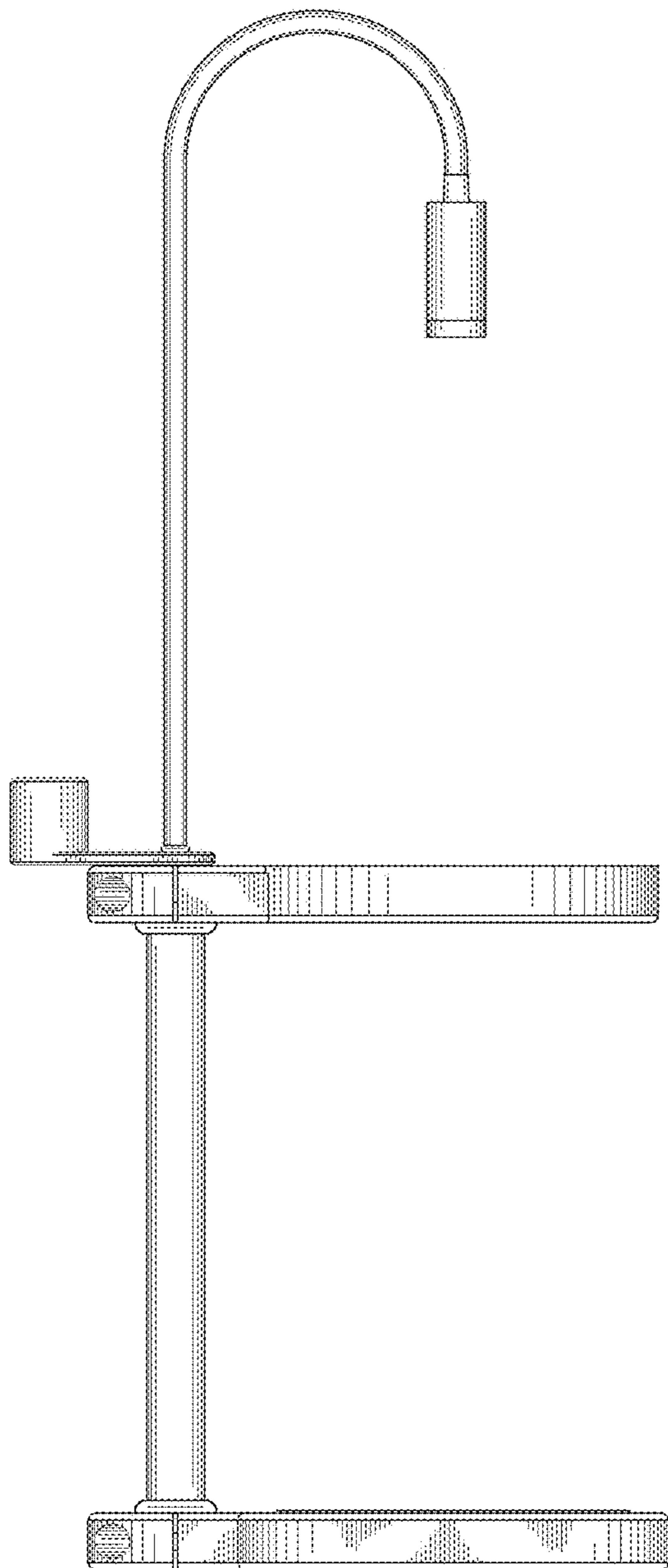


FIG. 3

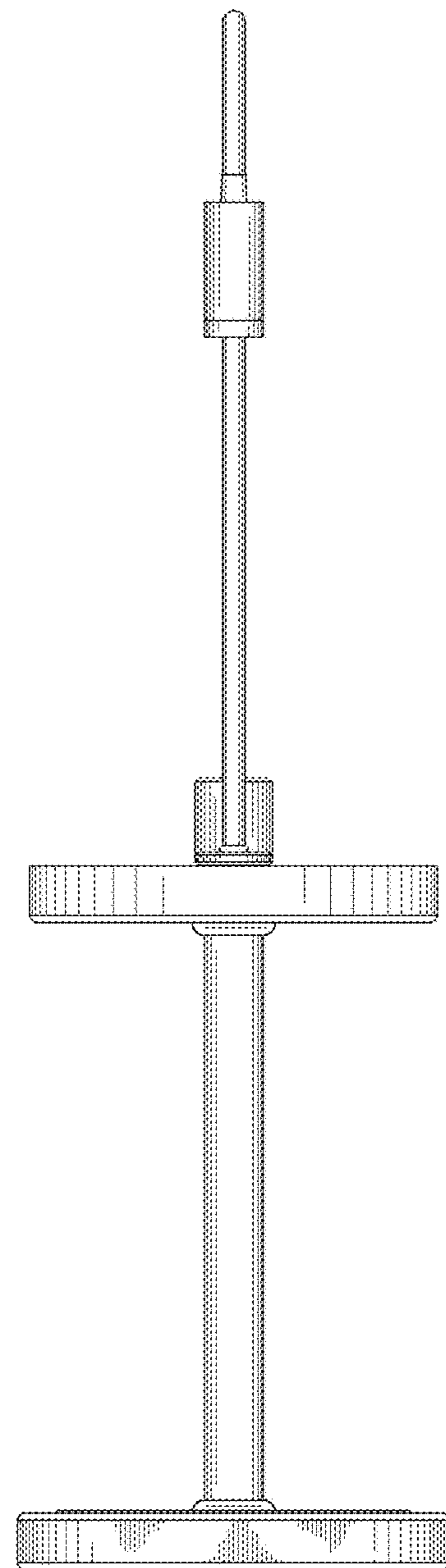


FIG. 4

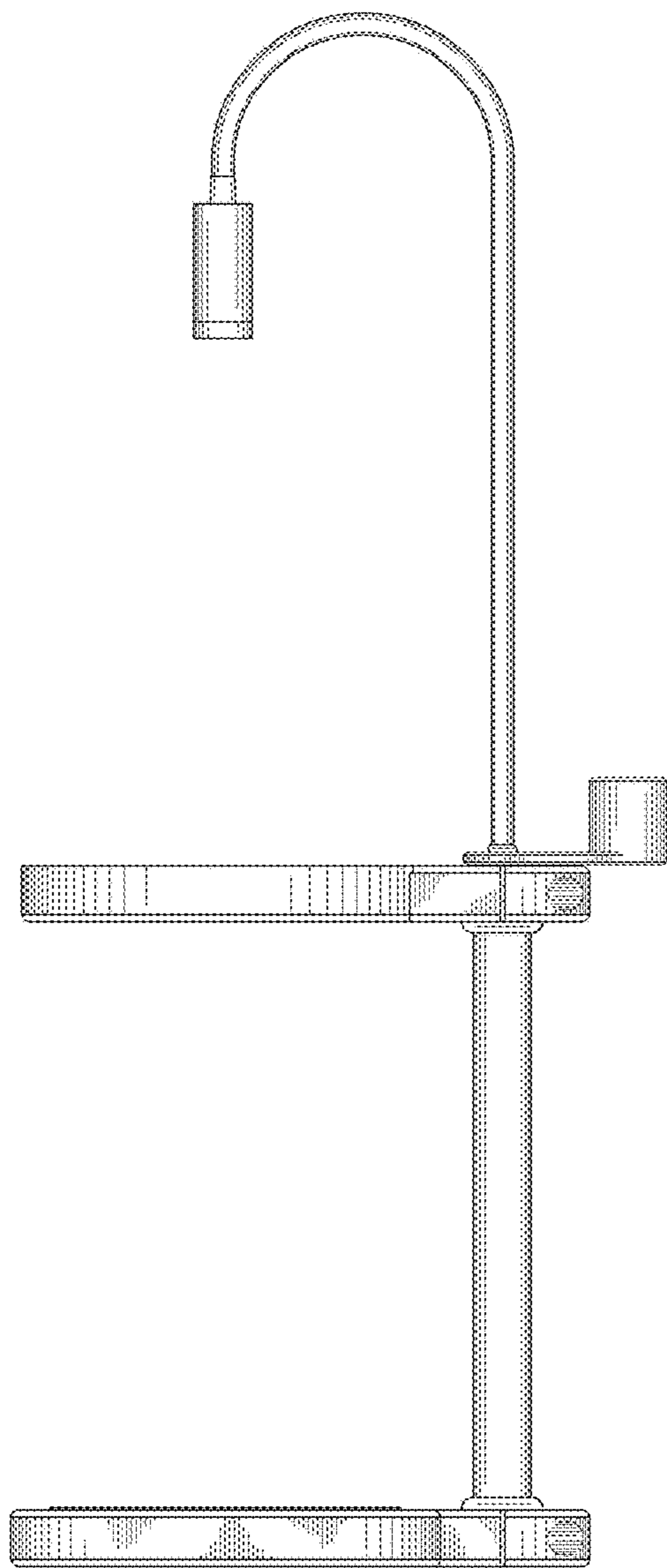


FIG. 5

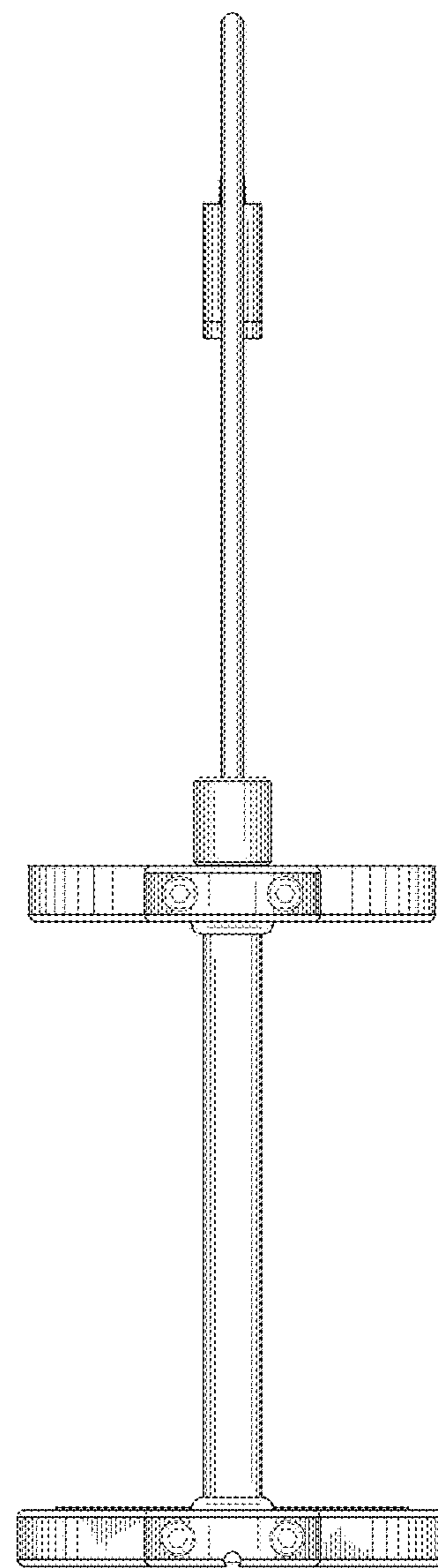


FIG. 6

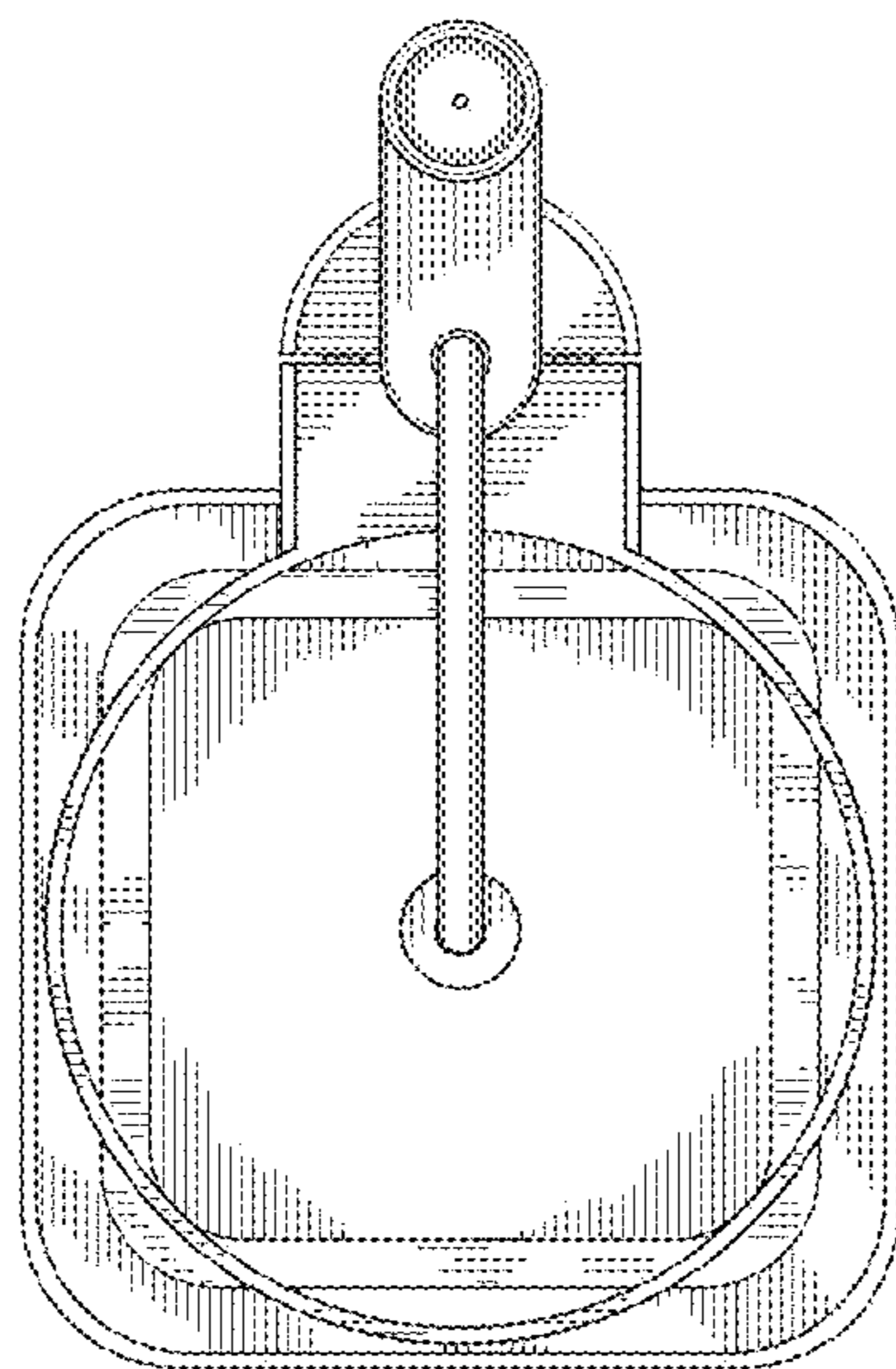


FIG. 7

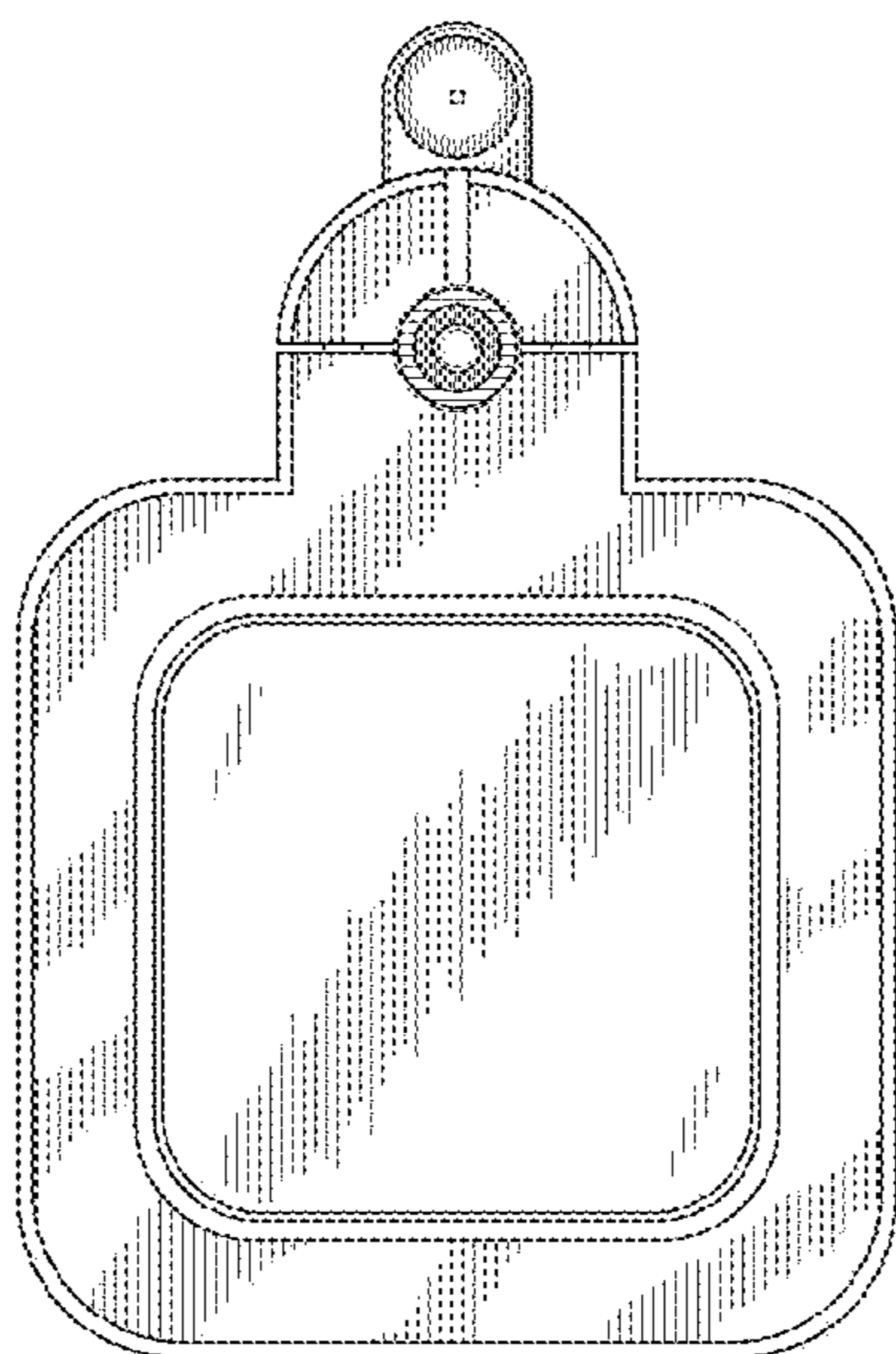


FIG. 8

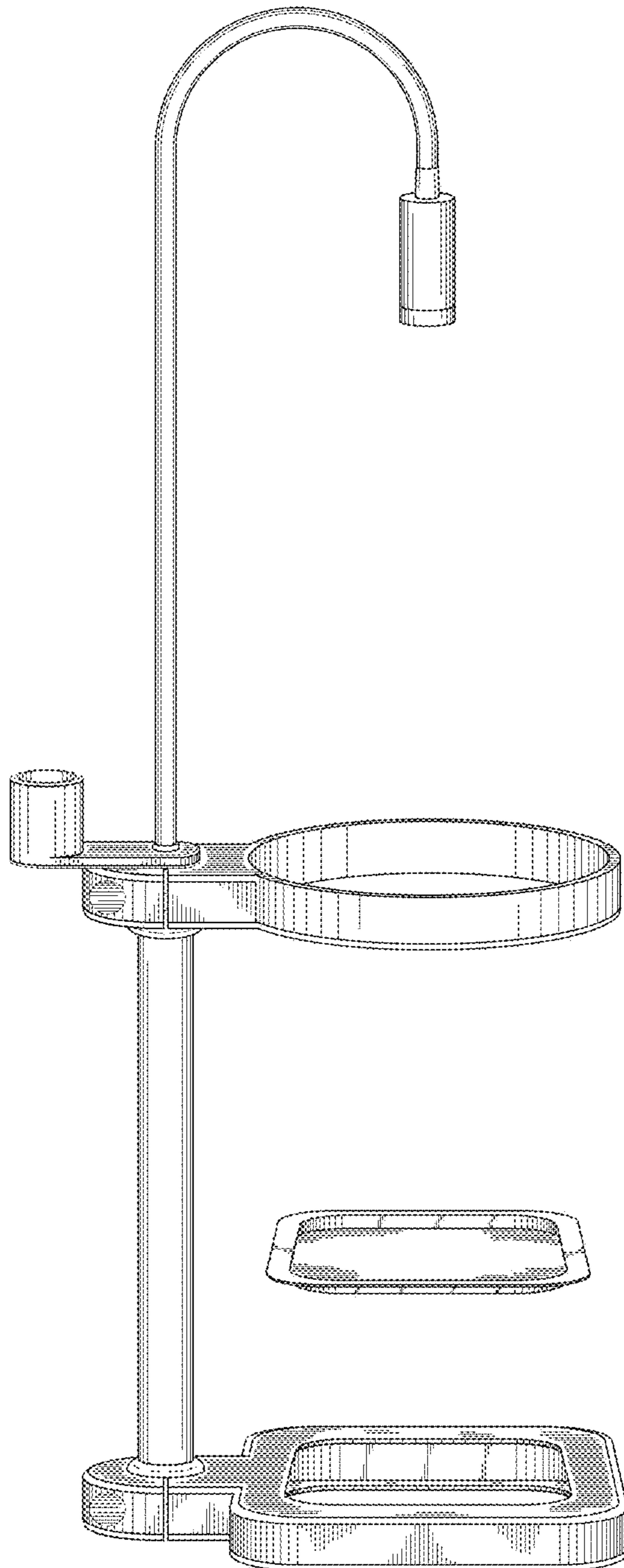


FIG. 9