



US00D813595S

(12) **United States Design Patent**
Narvaez Lopez et al.

(10) **Patent No.:** **US D813,595 S**
(45) **Date of Patent:** **** Mar. 27, 2018**

(54) **HANDLE FOR COOKING UTENSILS AND APPARATUS**

(71) Applicant: **All-Clad Metalcrafters LLC**,
Canonsburg, PA (US)

(72) Inventors: **Dario Alejandro Narvaez Lopez**,
North Bergen, NJ (US); **Alberto Mantilla**,
Rego Park, NY (US); **Carlos Gonzalez**,
Sunnyside, NY (US); **Mauricio Issa**,
Rego Park, NY (US); **Anthony J. Baxter**,
Upper Montclair, NJ (US)

(73) Assignee: **All-Clad Metalcrafters LLC**,
Canonsburg, PA (US)

(**) Term: **15 Years**

(21) Appl. No.: **29/576,043**

(22) Filed: **Aug. 31, 2016**

(51) **LOC (11) Cl.** **07-02**

(52) **U.S. Cl.**
USPC **D7/395**

(58) **Field of Classification Search**
USPC D7/354-361, 393-395, 401.2, 664;
D8/107, 300, 303, 307, 313, 321;
D4/138, 129
CPC A47J 45/06; A47J 45/061; A47J 45/62;
A47J 45/08; A47J 45/085; A47J 45/071;
A47J 45/072; B65D 25/2802; B65D
25/2882; B65D 25/2885; B65D 25/2888;
B65D 25/2894; Y10S 220/912
See application file for complete search history.

(56) **References Cited**

U.S. PATENT DOCUMENTS

D440,463 S 4/2001 Groll
D501,358 S 2/2005 LoGiudice et al.

D580,703 S *	11/2008	Devries	D7/393
D608,139 S *	1/2010	Rae	D7/395
D644,486 S	9/2011	Groll		
D682,022 S *	5/2013	Rae	D7/395
D693,638 S *	11/2013	Sweet	D7/395
D704,505 S	5/2014	Clabots		
D705,002 S	5/2014	Delassus		
D705,003 S *	5/2014	Rae	D7/395
D711,685 S	8/2014	Delassus		
D714,585 S *	10/2014	Genatossio	D7/395
D730,113 S *	5/2015	Barberi	D7/395
D730,114 S *	5/2015	Barberi	D7/395
D734,091 S *	7/2015	Moon	D7/354
D740,604 S *	10/2015	Barberi	D7/395
D746,102 S	12/2015	Zucchi		
D746,103 S	12/2015	Zucchi		
D779,873 S *	2/2017	Barberi	D7/395
D783,343 S *	4/2017	Barberi	D7/395

* cited by examiner

Primary Examiner — Cynthia M Chin

(74) *Attorney, Agent, or Firm* — The Webb Law Firm

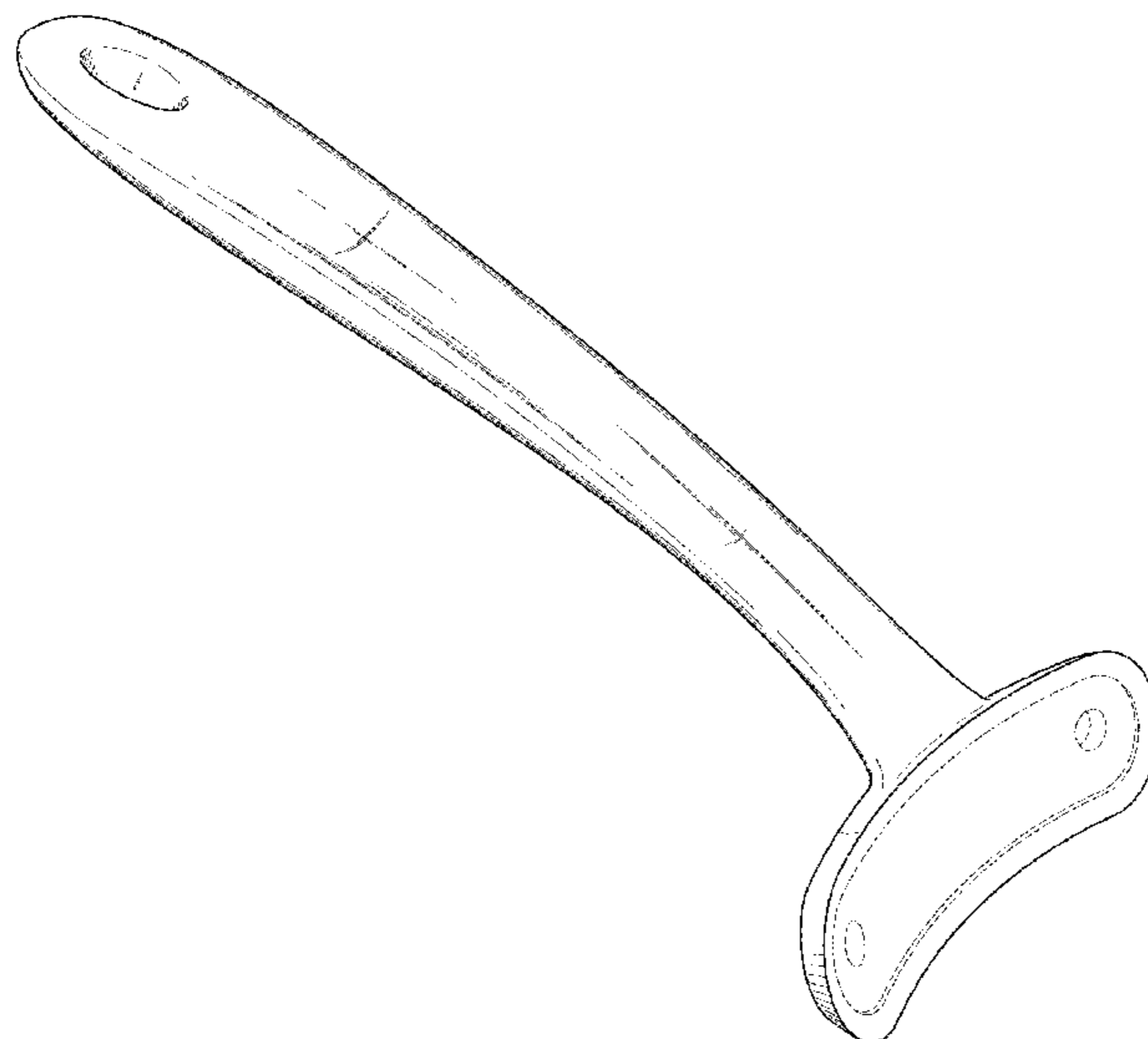
(57) **CLAIM**

The ornamental design for a handle for cooking utensils and apparatus, as shown and described.

DESCRIPTION

FIG. 1 is an upper perspective view of a handle for cooking utensils and apparatus showing our new design; FIG. 2 is a lower perspective view thereof; FIG. 3 is a front view thereof; FIG. 4 is a rear view thereof; FIG. 5 is a top view thereof; FIG. 6 is a bottom view thereof; FIG. 7 is a left side view thereof; and, FIG. 8 is a right side view thereof. The portions of the handle for cooking utensils and apparatus shown in broken lines form no part of the claimed design.

1 Claim, 6 Drawing Sheets



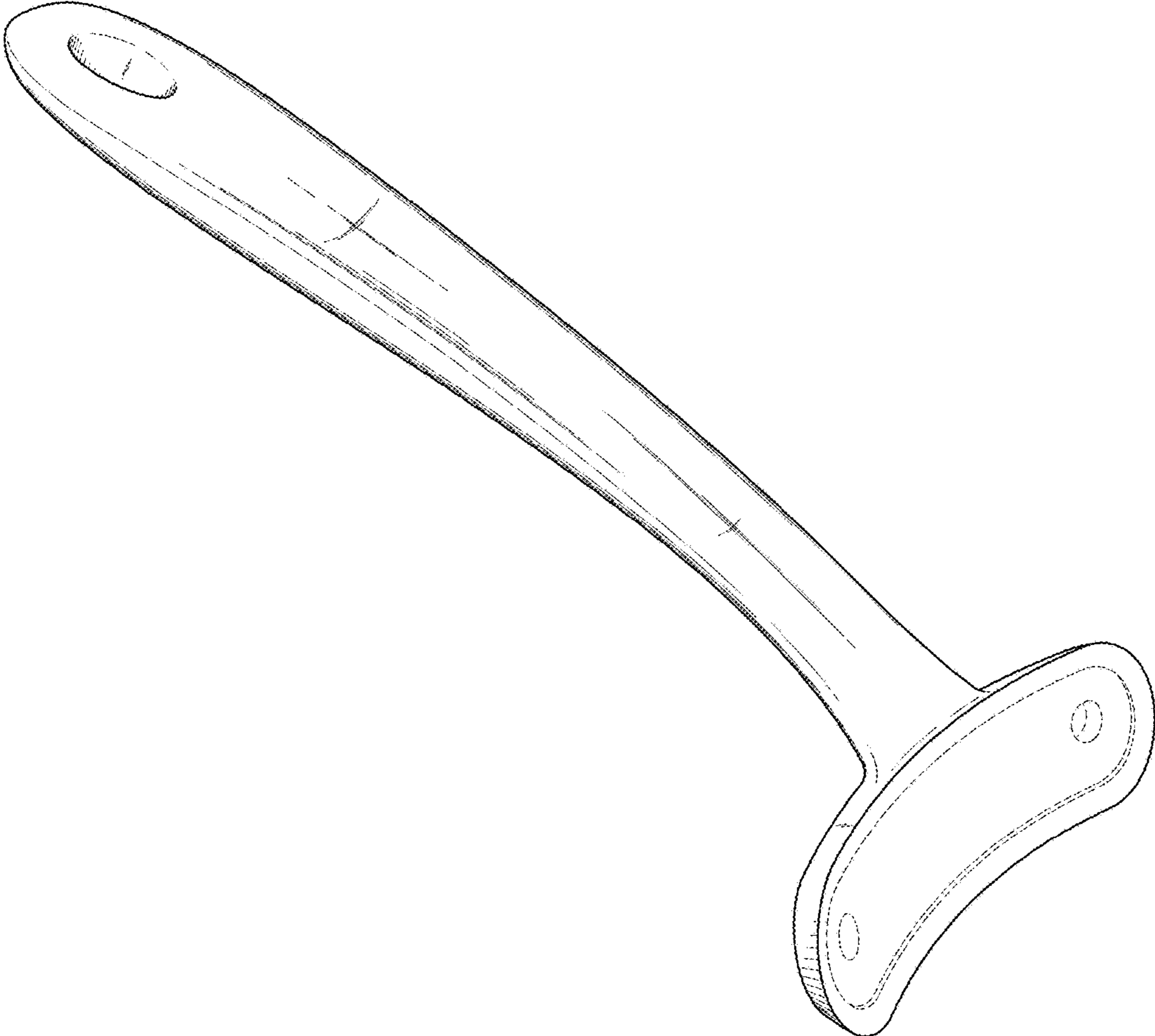


FIG. 1

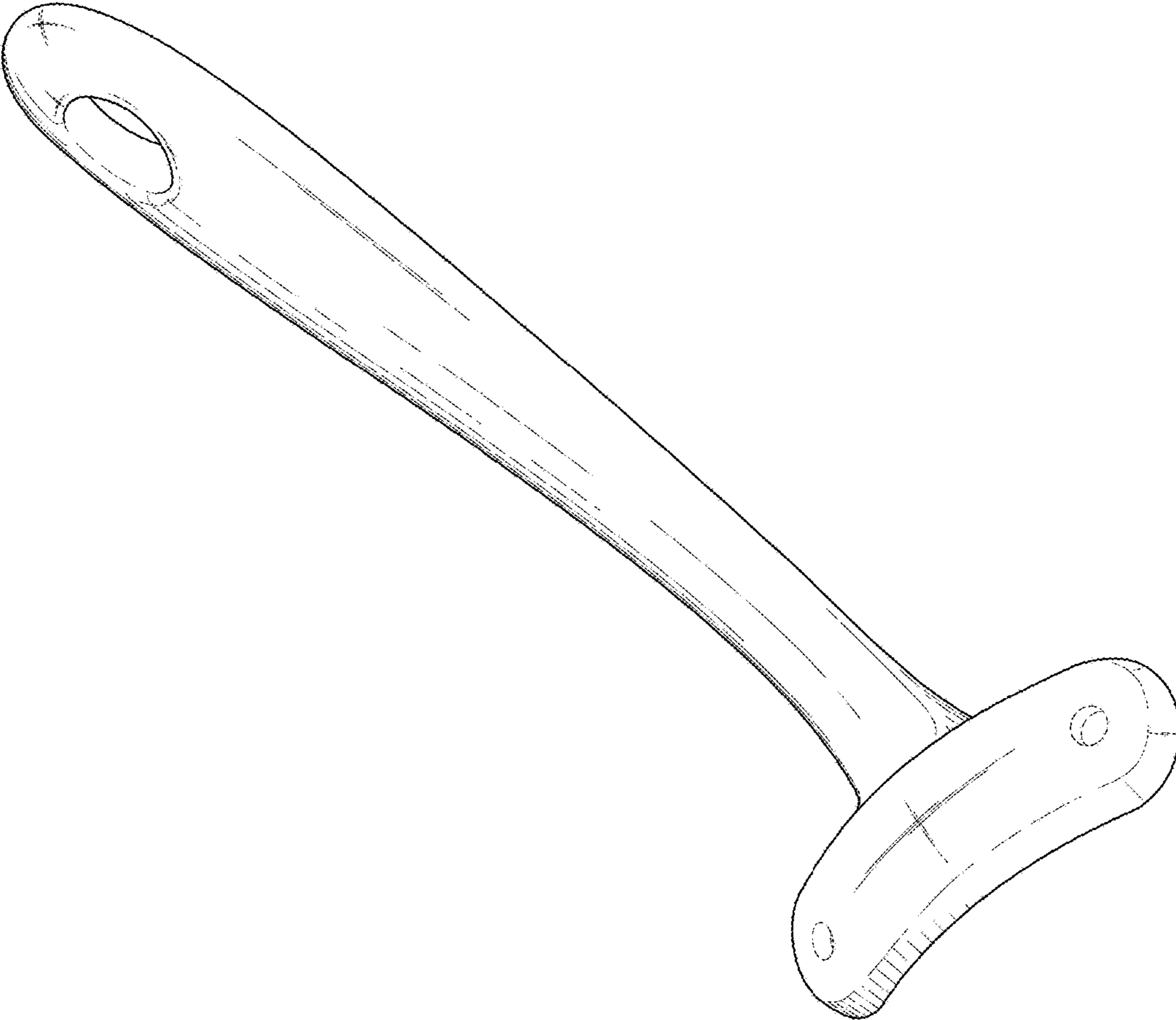


FIG. 2

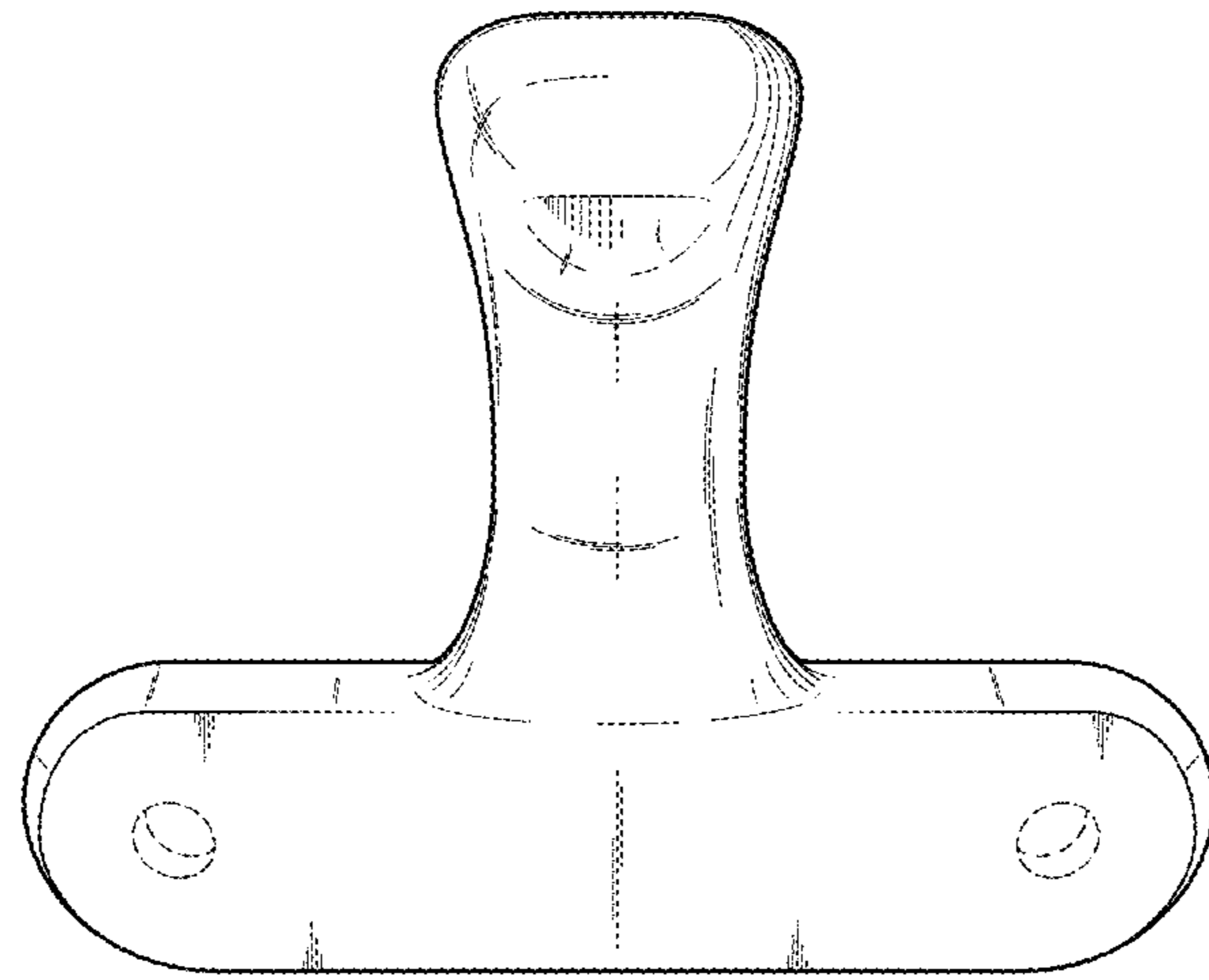


FIG. 3

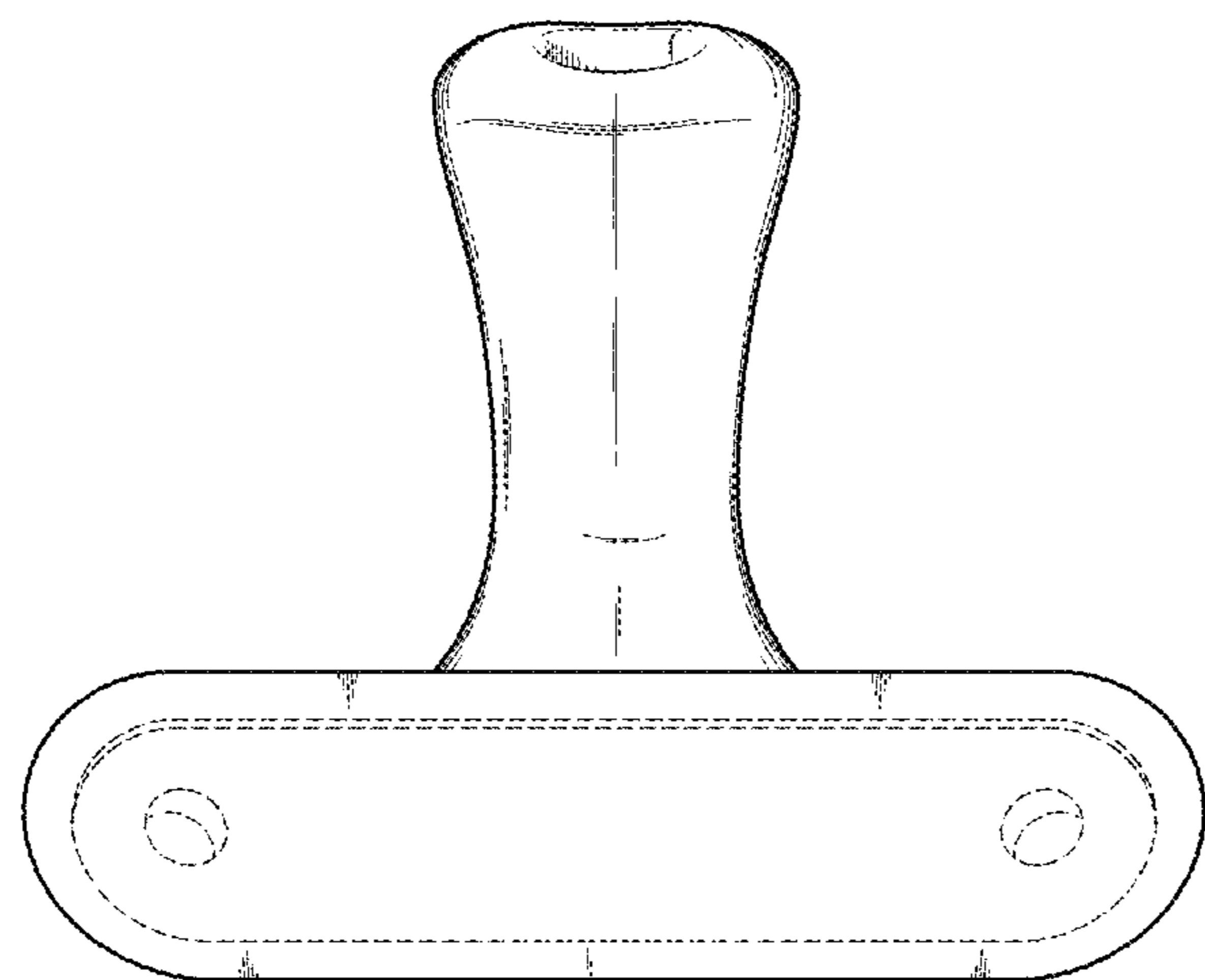


FIG. 4

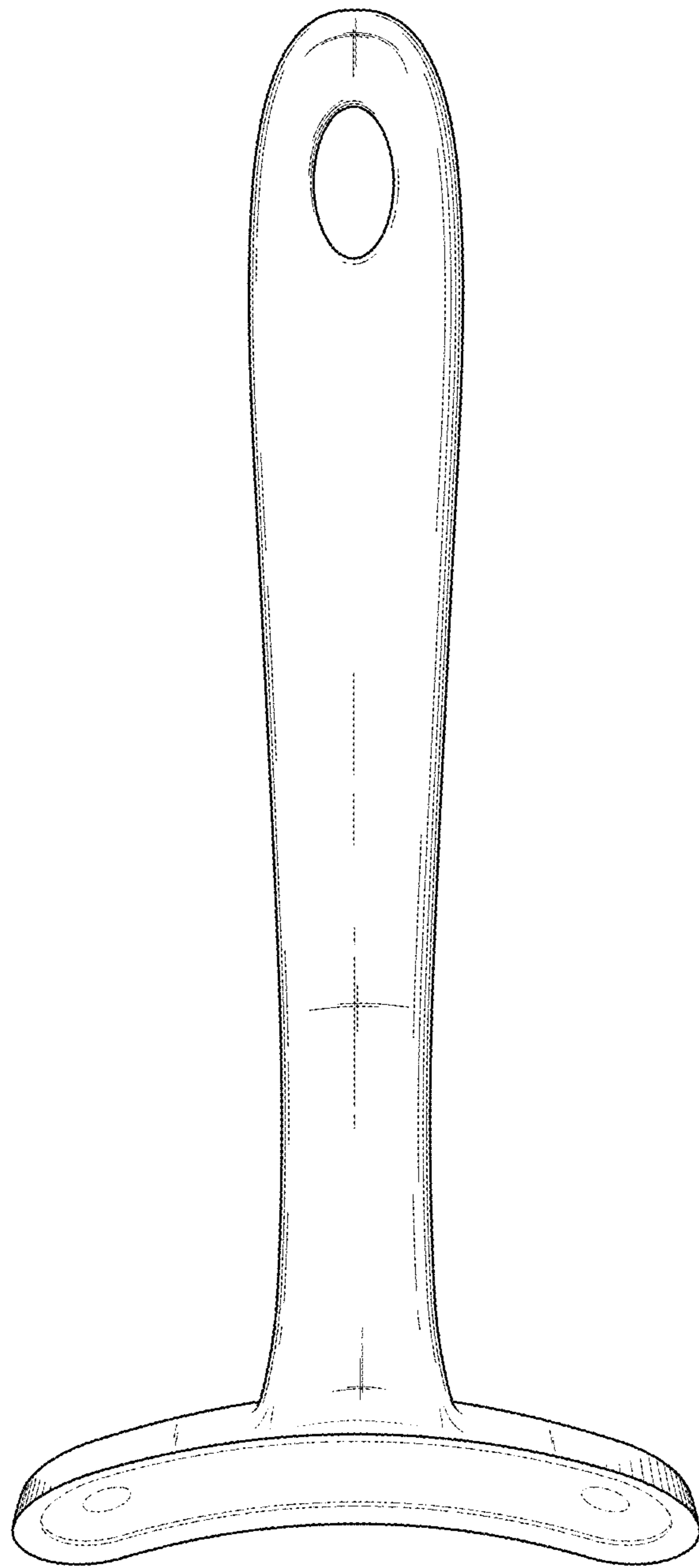


FIG. 5

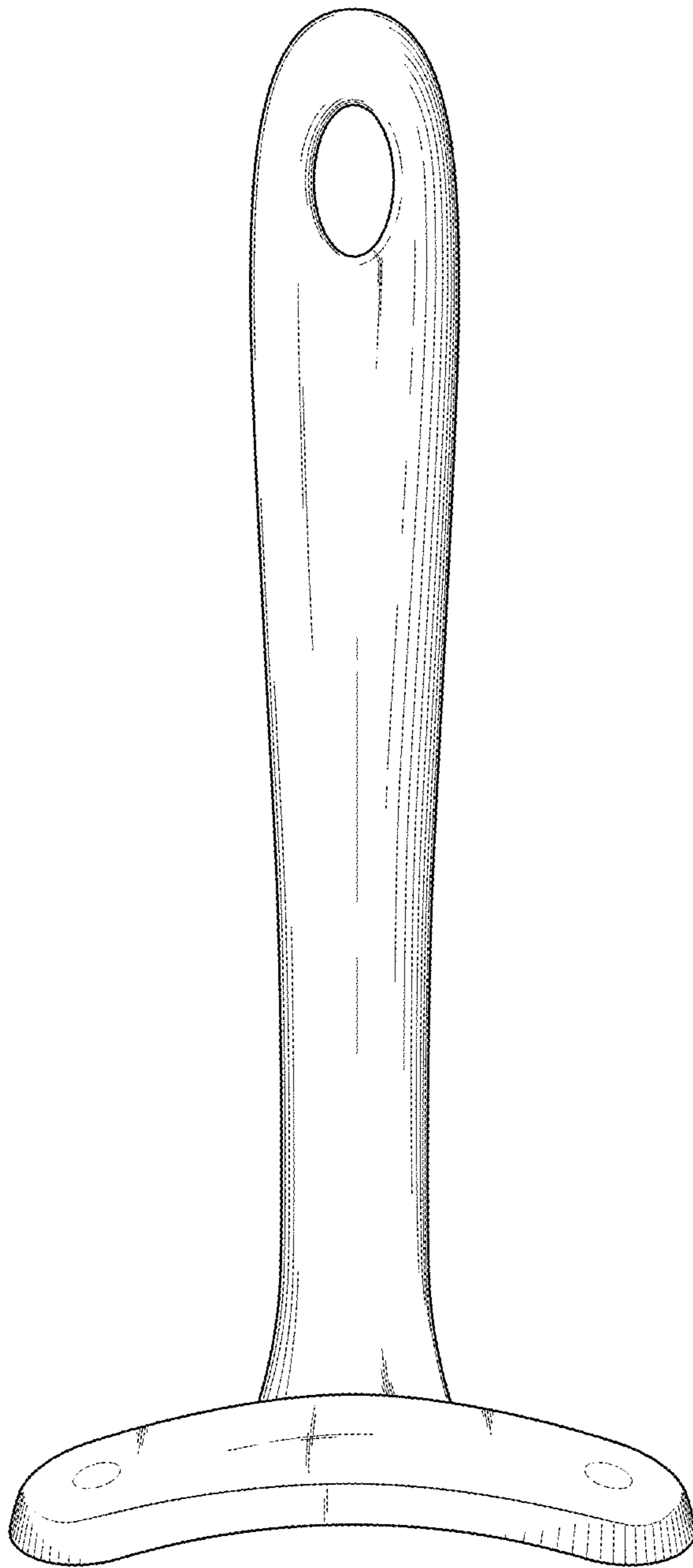


FIG. 6

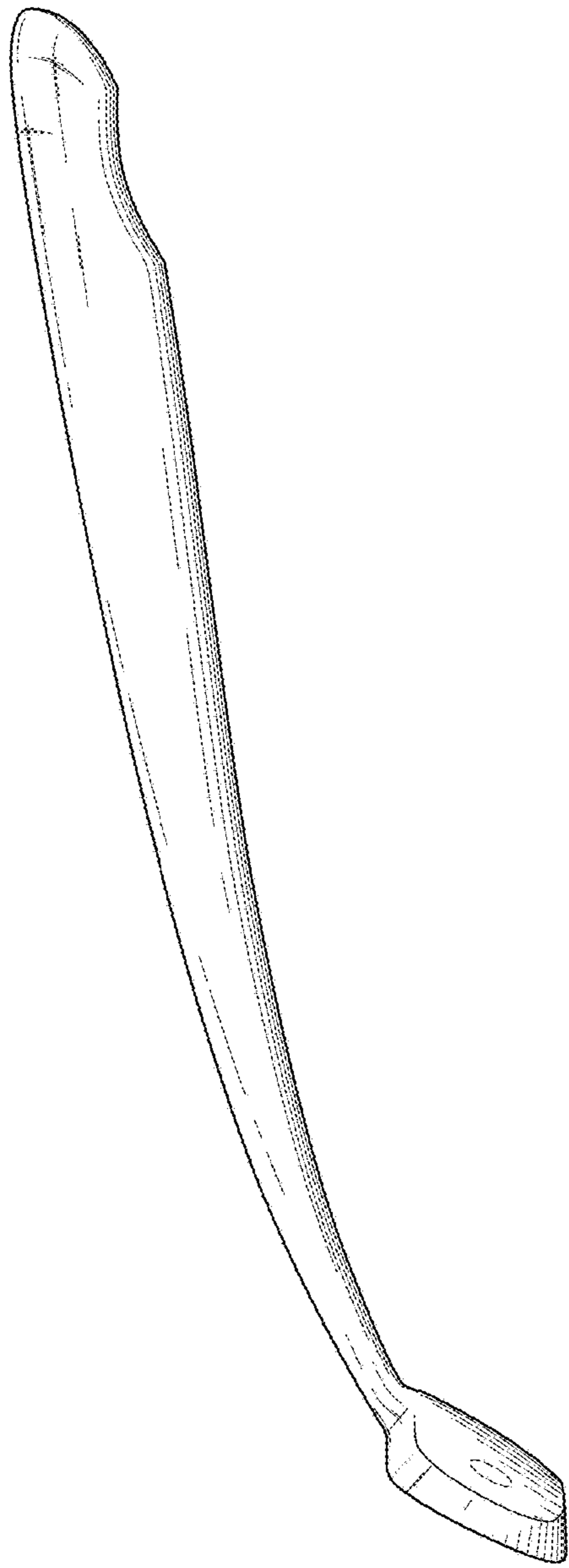


FIG. 7

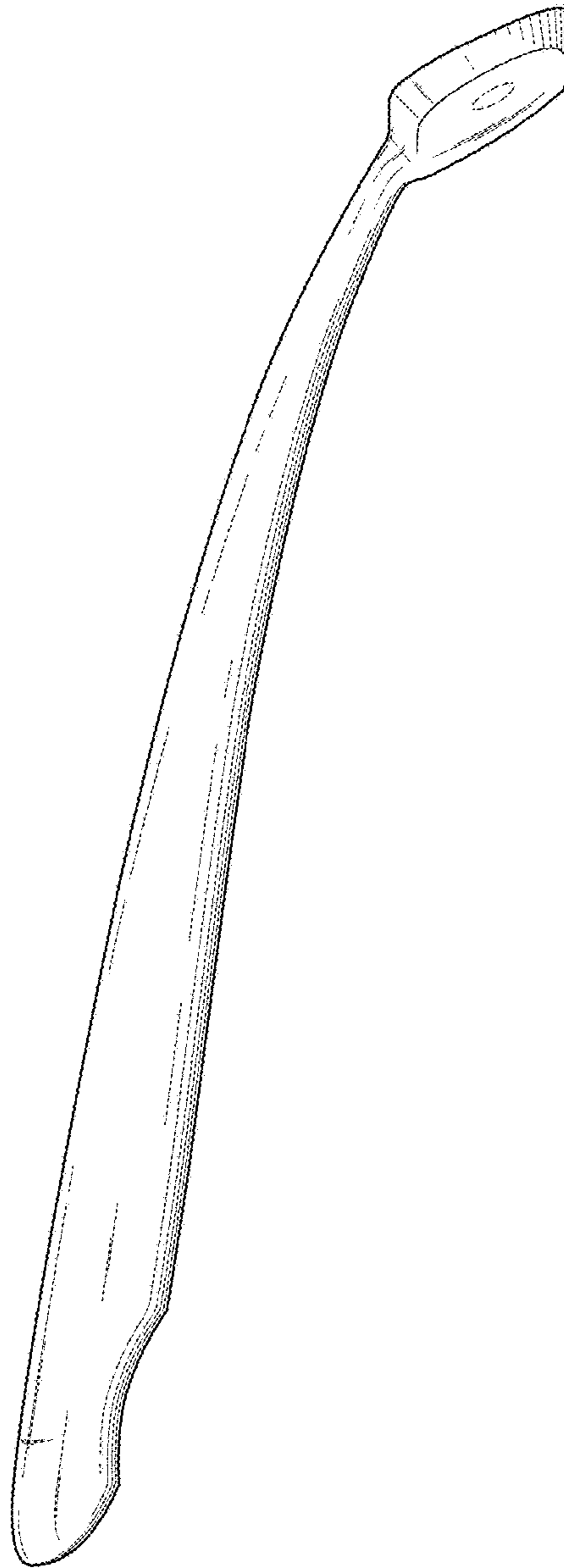


FIG. 8