



US00D813594S

(12) **United States Design Patent** (10) **Patent No.:** **US D813,594 S**
Serruya et al. (45) **Date of Patent:** **** Mar. 27, 2018**

(54) **TRIGGER LID**

B65D 2543/00296; B65D 5/46; B65D 2251/00

(71) Applicant: **Thierry Serruya**, Blainville (CA)

See application file for complete search history.

(72) Inventors: **Thierry Serruya**, Blainville (CA);
Christopher Lyle Edwards, Ottawa (CA); **James Patrick Henderson**, Ottawa (CA); **Matthew Thomas Robert Bailey**, Ottawa (CA)

(56) **References Cited**

U.S. PATENT DOCUMENTS

D177,343	S *	4/1956	MacK et al.	D24/110
D263,933	S *	4/1982	Jones	D9/447
D333,065	S *	2/1993	Murphy	D7/391
D372,866	S *	8/1996	Ahern, Jr.	D7/392.1
D394,184	S *	5/1998	Demore	D7/391
D396,190	S *	7/1998	Haley	D9/449
D397,613	S *	9/1998	Haley	D9/448
D442,860	S *	5/2001	Symons	D9/425
D476,564	S *	7/2003	Flasch	D9/447
D532,650	S *	11/2006	de Groote	D7/392
D584,102	S *	1/2009	Valderrama	D7/392.1
D608,195	S *	1/2010	Germann	D9/443
D621,260	S *	8/2010	Brannon	D9/446
8,376,165	B2 *	2/2013	Chiang	B65D 47/066 215/229

(73) Assignee: **Thierry Serruya**, Blainville (CA)

(**) Term: **15 Years**

(21) Appl. No.: **29/569,203**

(22) Filed: **Jun. 24, 2016**

(Continued)

(30) **Foreign Application Priority Data**

Dec. 24, 2015 (CA) 166164

(51) **LOC (11) Cl.** **07-99**

(52) **U.S. Cl.**
USPC **D7/392.1; D9/443; D9/447; D9/449**

(58) **Field of Classification Search**
USPC D9/428, 429, 434, 435, 442, 443,
D9/445-450, 453-456, 499, 682, 684,
D9/685; D7/387, 388, 392, 392.1, 393,
D7/396.2, 396.3, 396.4, 401.1, 408, 504,
D7/507, 509-511, 538, 900; D3/202,
D3/203.2, 318; D28/91.1

CPC .. A61J 1/00; A61J 1/1412; B65D 1/00; B65D 1/02; B65D 1/10; B65D 1/46; B65D 2585/56; B65D 2585/545; B65D 41/00; B65D 41/38; B65D 41/56; B65D 41/62; B65D 47/00; B65D 47/06; B65D 47/08; B65D 2543/00046; B65D 2543/00092;

Primary Examiner — Karen S Acker
Assistant Examiner — Wendy Arminio
(74) *Attorney, Agent, or Firm* — Servilla Whitney LLC

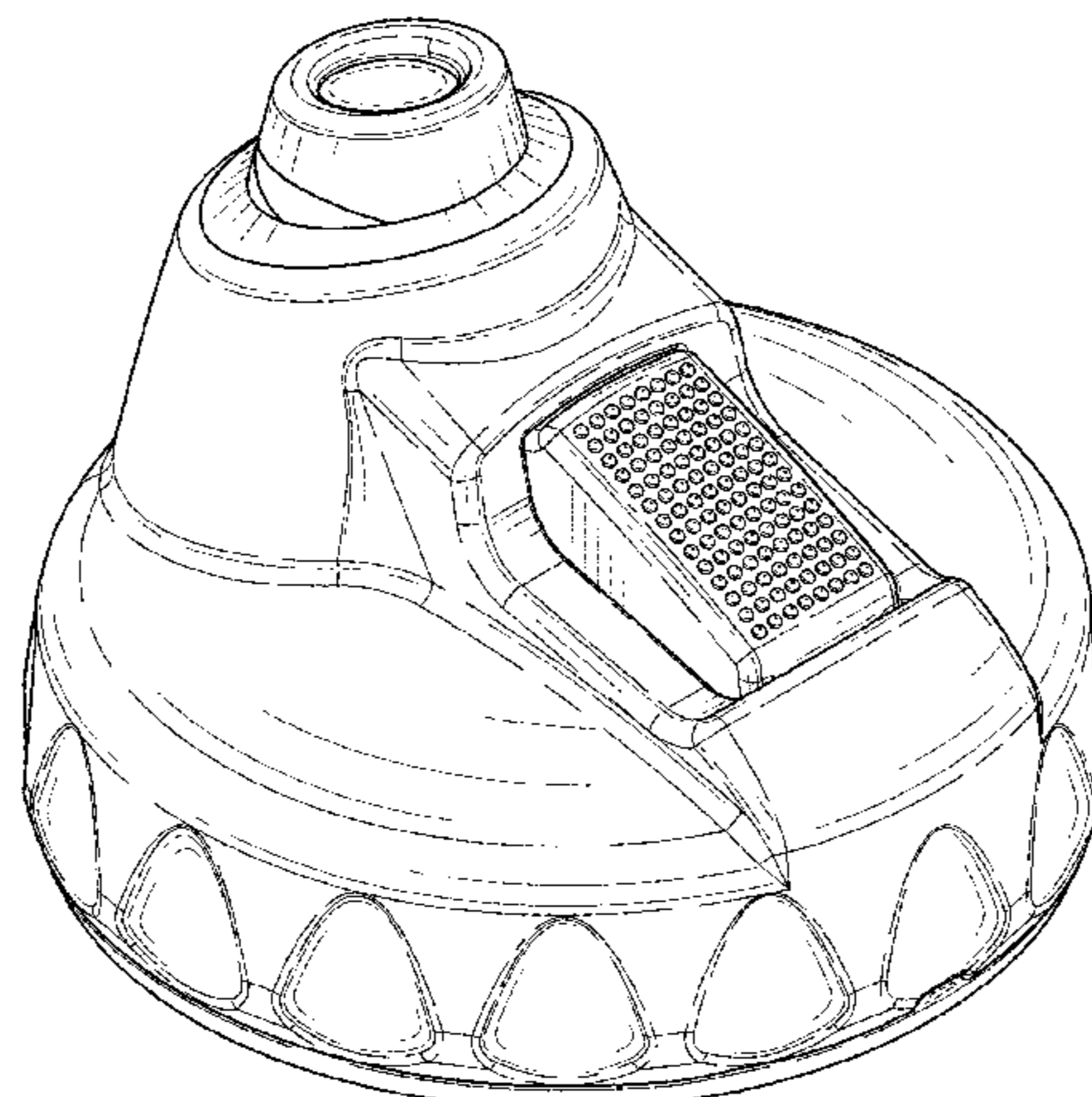
(57) **CLAIM**

The ornamental design for a trigger lid, substantially as shown and described.

DESCRIPTION

FIG. 1 is a perspective view of a trigger lid showing the new design;
FIG. 2 is a top plan view of the trigger lid of FIG. 1;
FIG. 3 is a back elevation view of the trigger lid of FIG. 1;
FIG. 4 is a left side elevation view of the trigger lid of FIG. 1;
FIG. 5 is a right side elevation view of the trigger lid of FIG. 1; and,
FIG. 6 is a front elevation view of the trigger lid of FIG. 1.

(Continued)



The broken lines shown in the drawings depict portions of the article that form no part of the claimed design.

1 Claim, 6 Drawing Sheets

(56) **References Cited**

U.S. PATENT DOCUMENTS

D709,765 S *	7/2014	Hager	D9/449
D711,227 S *	8/2014	Sheikh	D9/435
D715,590 S *	10/2014	Mangano	D7/354
8,905,252 B2 *	12/2014	Latham	B65D 51/18 215/228

* cited by examiner

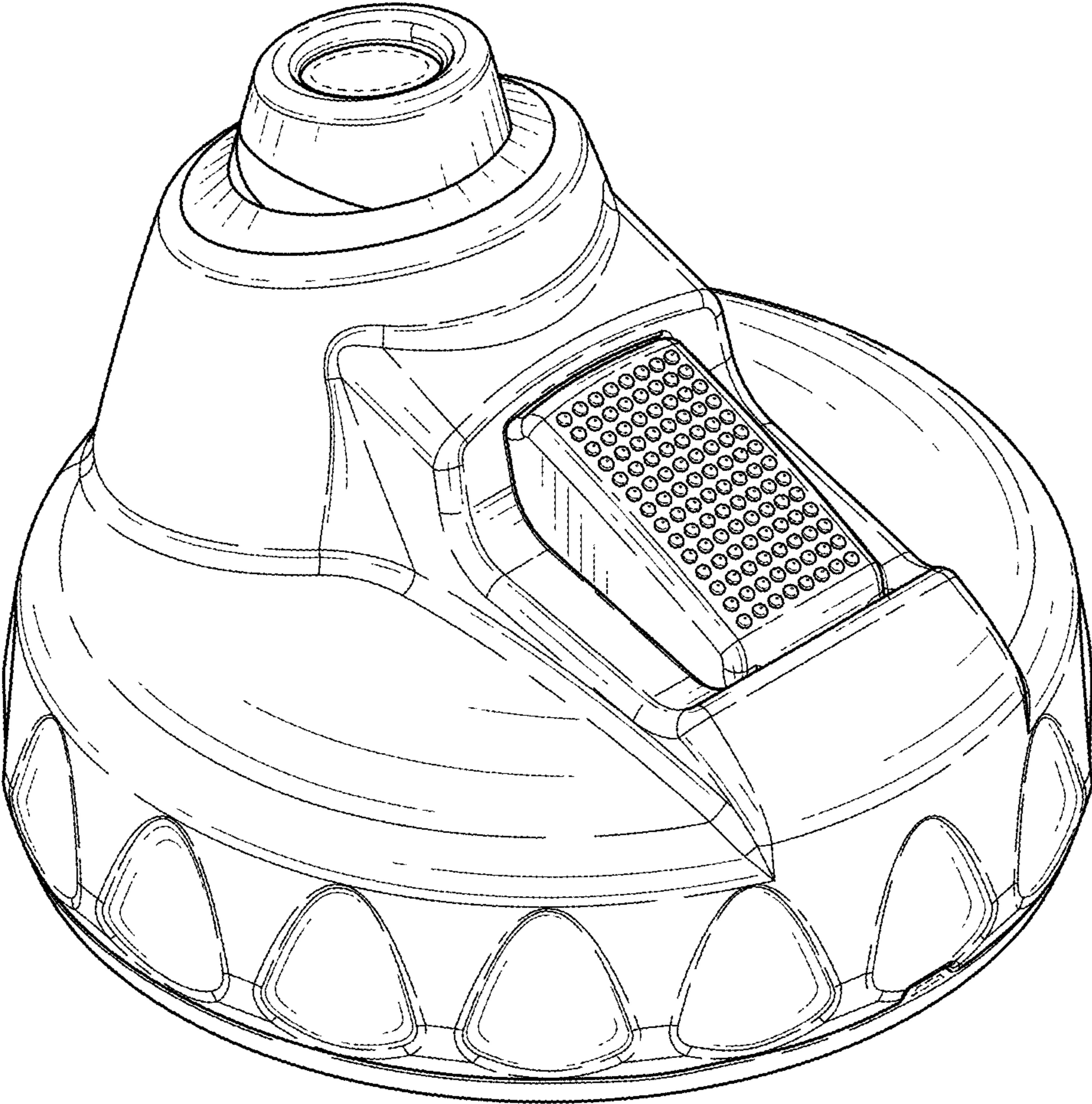


FIG. 1

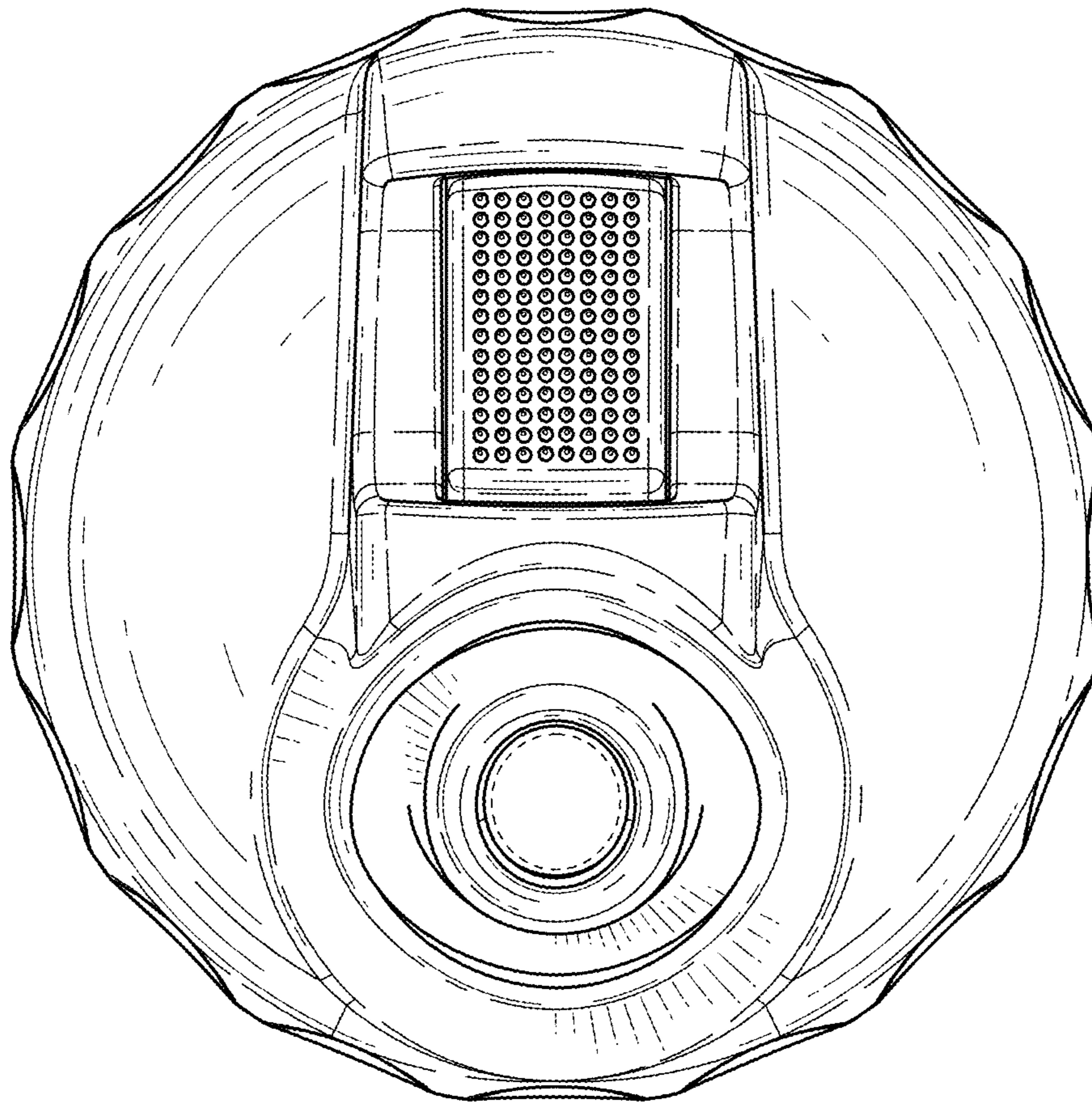


FIG. 2

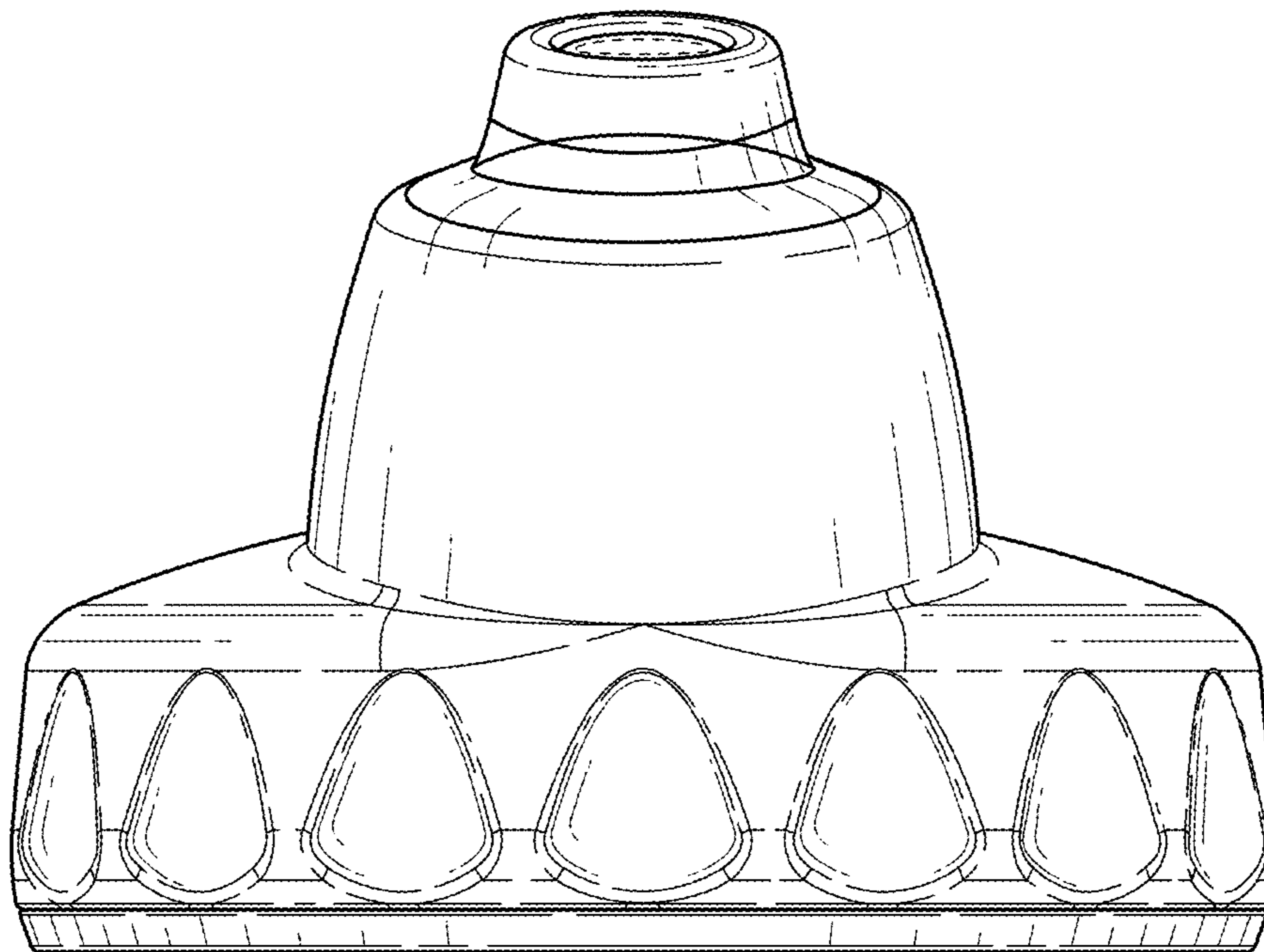


FIG. 3

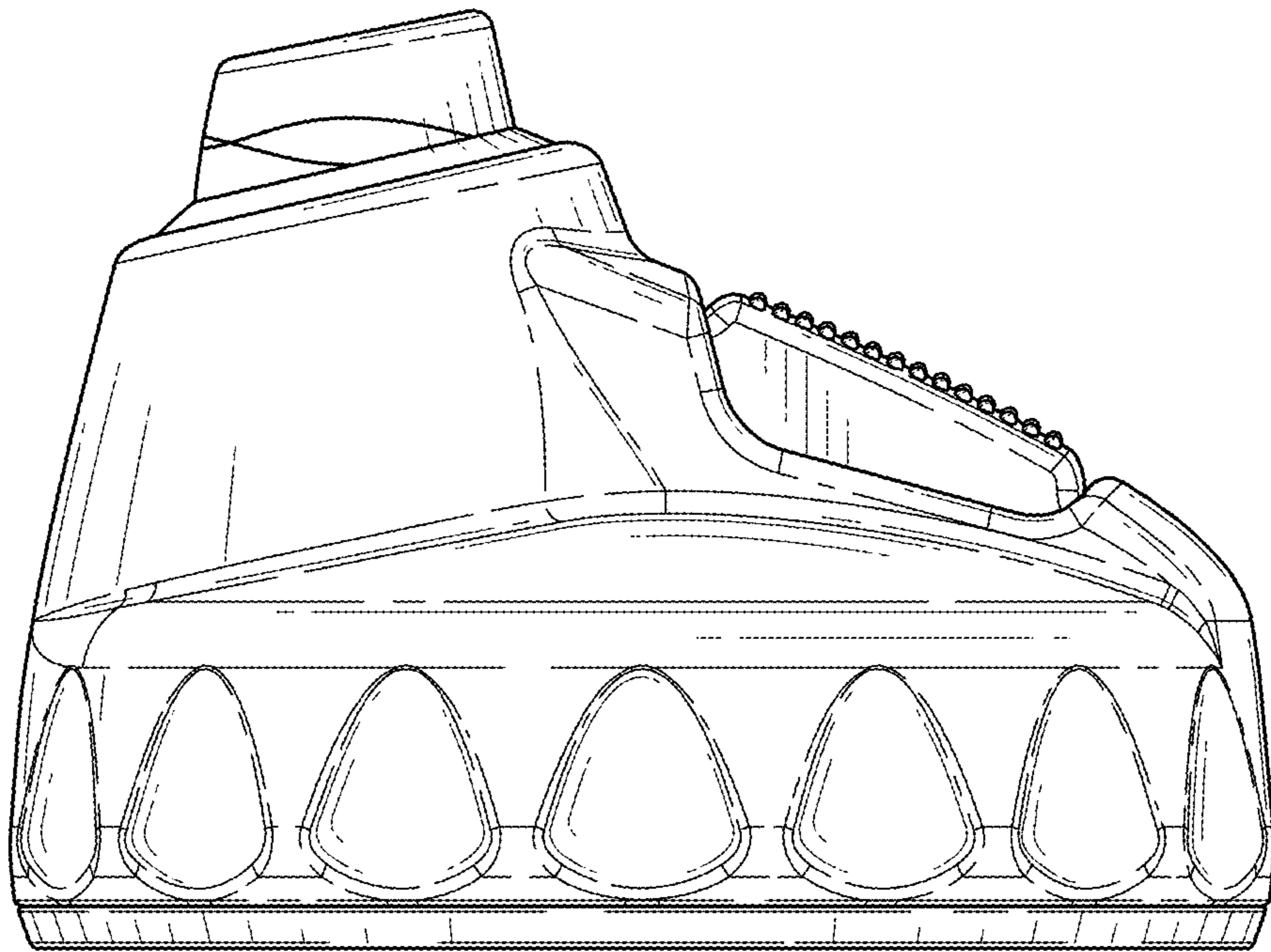


FIG. 4

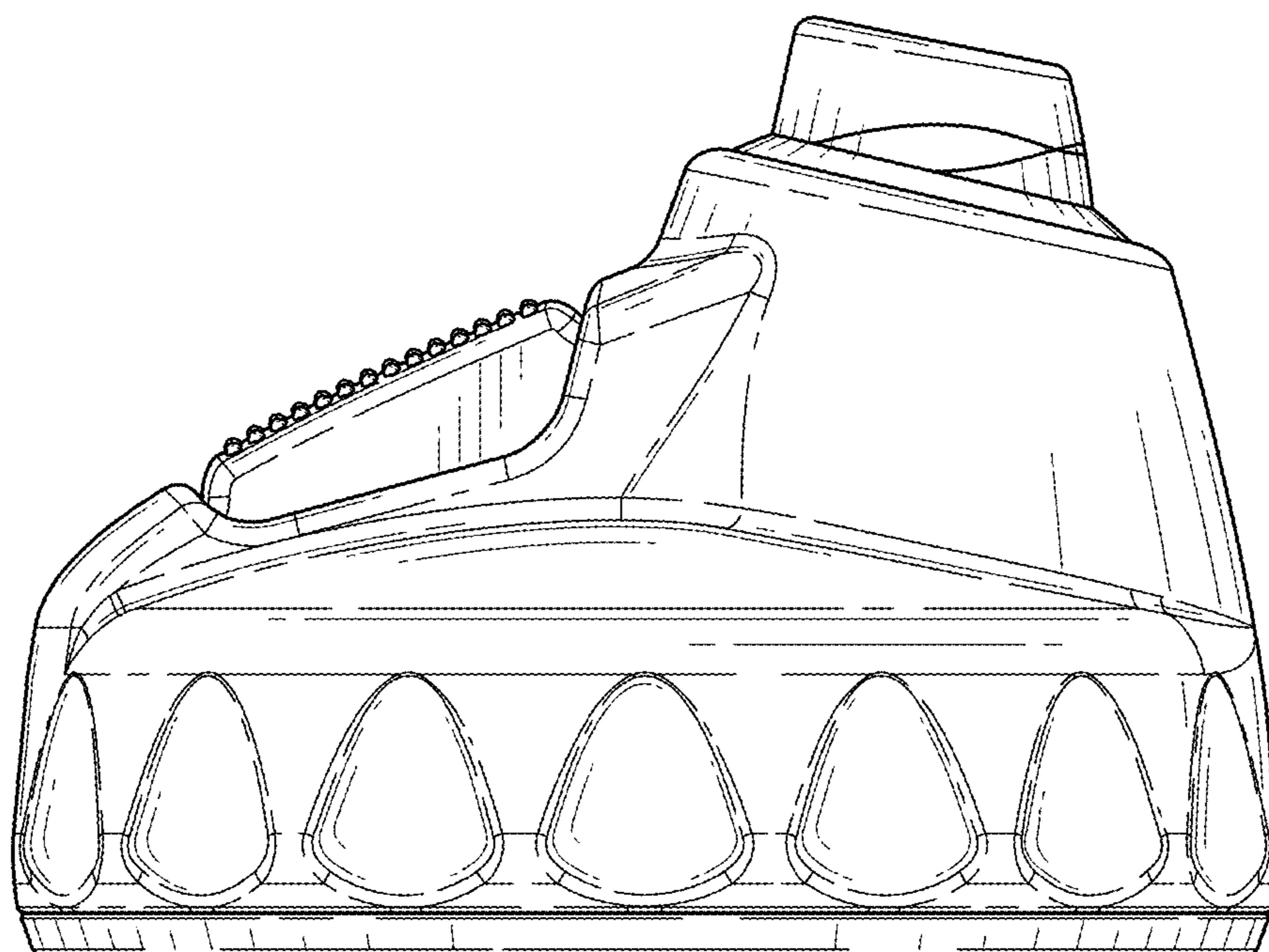


FIG. 5

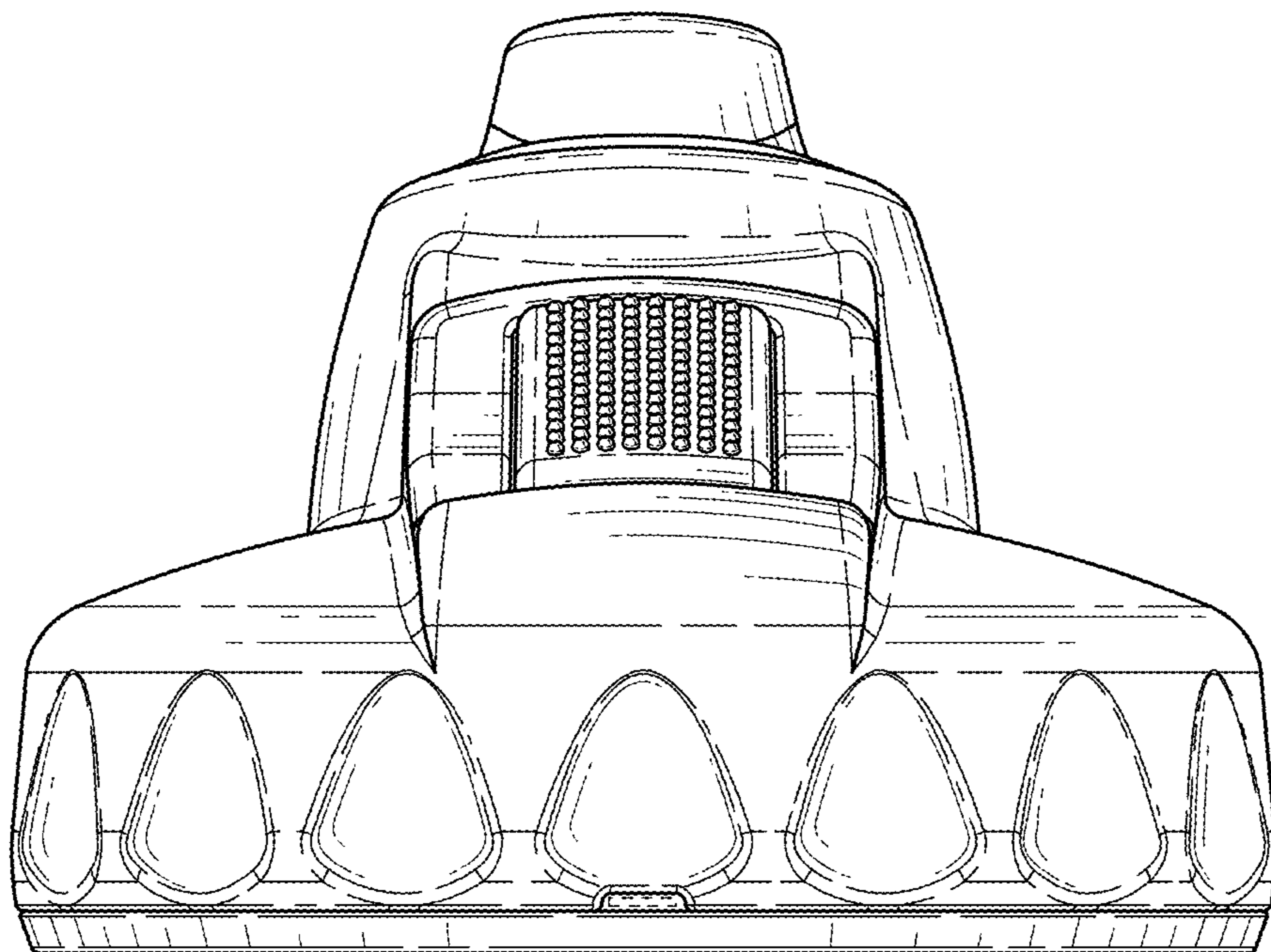


FIG. 6