



US00D813593S

(12) **United States Design Patent**  
**Cornu et al.**

(10) **Patent No.: US D813,593 S**  
(45) **Date of Patent: \*\* Mar. 27, 2018**

(54) **CAP FOR FOOD SHAKER**

- (71) Applicant: **Dart Industries Inc.**, Orlando, FL (US)
- (72) Inventors: **Judicaël Cornu**, Brussels (BE);  
**Barbara R. M. Huet**, Ixelles (BE);  
**Dimitri M. C. J. Backaert**, Moorsel (BE);  
**Kris Schoukens**, Zwevegem (BE);  
**Antoon Keymeulen**, Aalst (BE);  
**Robijn Dufloo**, Bierbeek (BE);  
**Olivier B. Perrin**, Saint Pierre des Corps (FR)
- (73) Assignee: **Dart Industries Inc.**, Orlando, FL (US)
- (\*\*) Term: **15 Years**
- (21) Appl. No.: **29/578,504**
- (22) Filed: **Sep. 22, 2016**

**Related U.S. Application Data**

- (62) Division of application No. 29/493,694, filed on Jun. 12, 2014, now Pat. No. Des. 772,022.
- (51) **LOC (11) Cl.** ..... **07-01**
- (52) **U.S. Cl.**  
USPC ..... **D7/392**
- (58) **Field of Classification Search**  
USPC ..... D3/202; D7/300, 300.1, 313, 314, 316,  
D7/387, 392, 393, 396.1, 392.2, 396.2,  
(Continued)

(56) **References Cited**

**U.S. PATENT DOCUMENTS**

- 1,568,691 A \* 1/1926 Pierson ..... A47J 19/022  
99/508
- 1,765,129 A \* 6/1930 Cooke ..... A47J 43/27  
215/40

(Continued)

**FOREIGN PATENT DOCUMENTS**

- CA 2349643 A1 \* 12/2001 ..... B65D 35/12

**OTHER PUBLICATIONS**

Norpro Measuring Shaker: Announced Jul. 2, 2014 [online]. Site visited Oct. 25, 2017. Available from Internet URL: [https://www.amazon.com/Norpro-3034-2-Cup-Measuring-Shaker/product-reviews/B000MMO7SC/ref=cm\\_cr\\_arp\\_d\\_paging\\_btm\\_19?ie=UTF8&reviewerType=all\\_reviews&pageNumber=19](https://www.amazon.com/Norpro-3034-2-Cup-Measuring-Shaker/product-reviews/B000MMO7SC/ref=cm_cr_arp_d_paging_btm_19?ie=UTF8&reviewerType=all_reviews&pageNumber=19).\*

*Primary Examiner* — Jennifer Rivard  
*Assistant Examiner* — Catherine S Posthauer  
(74) *Attorney, Agent, or Firm* — Taylor J. Ross

(57) **CLAIM**

The ornamental design for a cap for food shaker, as shown and described.

**DESCRIPTION**

This application is related to Application Ser. No. 14/303,162, which is incorporated herein by reference.

FIG. 1 is a top, rear and left side perspective view of the cap for food shaker in the closed position showing our new design;

FIG. 2 is a top, front and right side perspective view thereof;

FIG. 3 is a top plan view thereof;

FIG. 4 is a bottom plan view thereof;

FIG. 5 is a left side elevation view, the right side being a mirror image thereof;

FIG. 6 is a rear elevation view thereof;

FIG. 7 is a front elevation view thereof;

FIG. 8 is a cross-sectional view taken along line 8-8 of FIG. 3;

FIG. 9 is a top, rear and left side perspective view of the cap for food shaker with the lid open;

FIG. 10 is a top, front and right side perspective view thereof;

FIG. 11 is a top plan view thereof;

FIG. 12 is a bottom plan view thereof;

FIG. 13 is a rear elevation view thereof;

FIG. 14 is a front elevation view thereof;

FIG. 15 is a left side elevation view, the right side being a mirror image thereof; and,

(Continued)

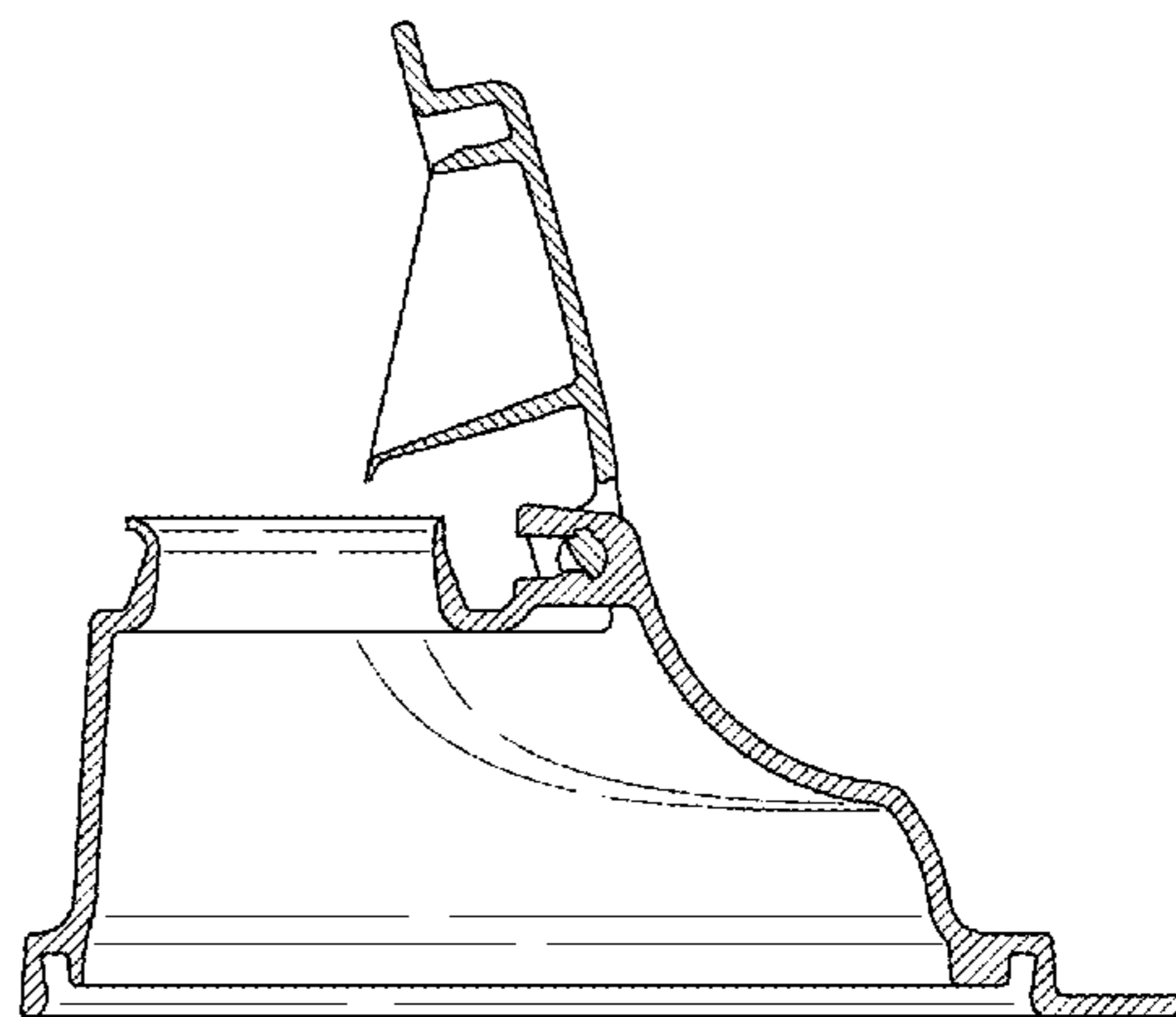
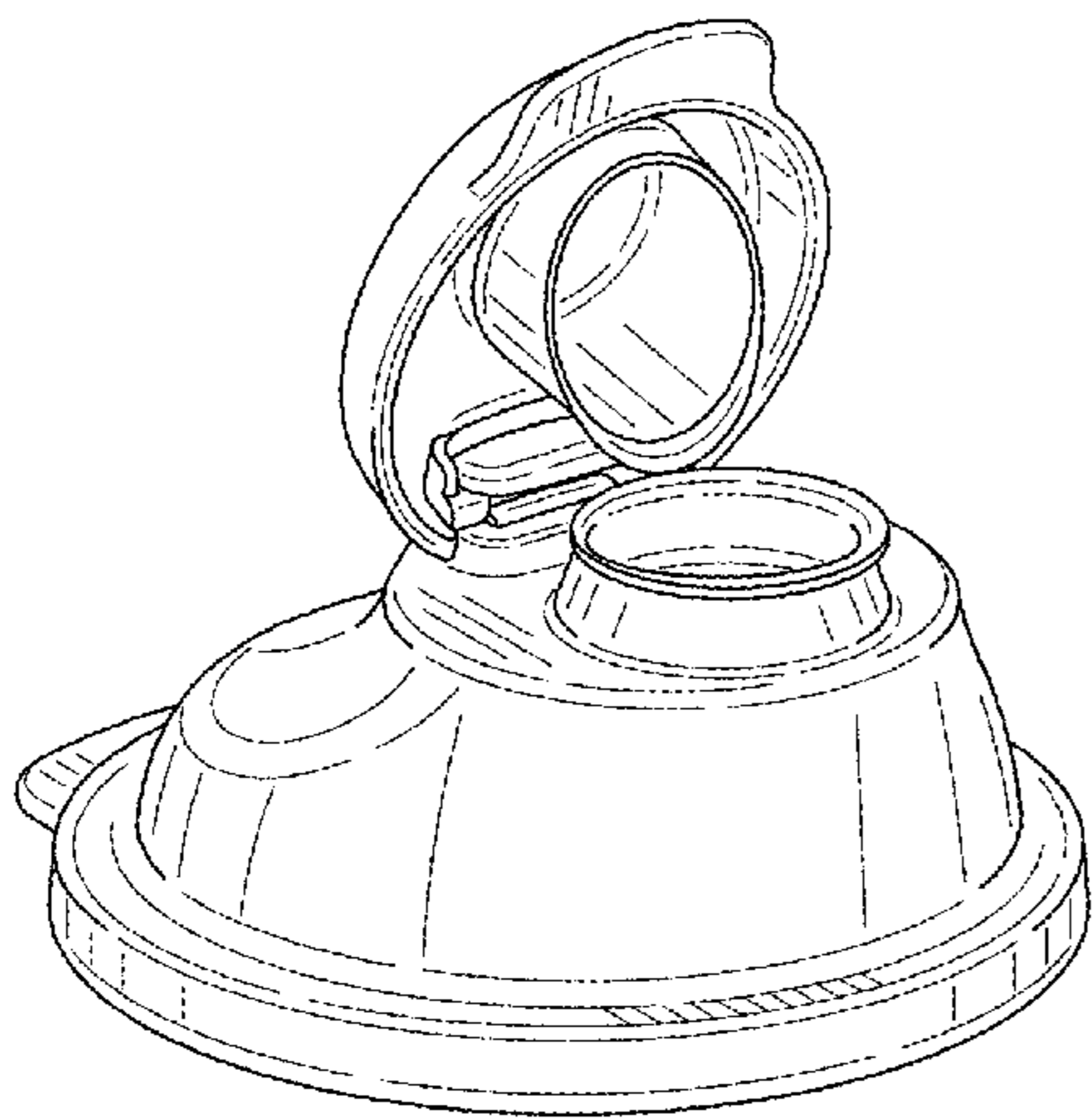


FIG. 16 is a cross-sectional view taken along line 16-16 of FIG. 11.

(56)

**References Cited**

**1 Claim, 6 Drawing Sheets**

U.S. PATENT DOCUMENTS

(58) **Field of Classification Search**

USPC ..... D7/397, 398, 401.1, 436, 509, 510, 511,  
 D7/523, 525, 526, 527, 528, 538, 589.5,  
 D7/90.591, 602, 619.1, 900; D9/434,  
 D9/435, 436, 437, 438, 440, 443, 445,  
 D9/446, 447, 448, 449, 452, 453, 454,  
 D9/686, 688, 690, 723, 724, 763, 772  
 CPC ..... A47G 19/2205; A47G 19/2222; A47G  
 19/2266; A47G 19/2272; A47G 19/2294;  
 A47G 23/16; B65D 39/00; B65D  
 39/0005; B65D 39/02; B65D 39/08;  
 B65D 39/14; B65D 39/19; B65D 41/00;  
 B65D 41/02; B65D 41/005; B65D  
 41/023; B65D 41/026; B65D 41/0414;  
 B65D 41/0421; B65D 41/0428; B65D  
 41/0471; B65D 41/0485; B65D 41/0492;  
 B65D 41/16; B65D 41/17; B65D 41/26;  
 B65D 41/32; B65D 41/34; B65D 50/00;  
 B65D 50/041; B65D 53/00; B65D 53/02;  
 B65D 53/04; B65D 55/02; B65D 55/024;  
 B65D 43/02; B65D 43/14; B65D 43/26;  
 B65D 43/0202; B65D 51/18; B65D  
 51/28; B65D 51/2821; B65D 51/2814;  
 B65D 2251/0018; B65D 2251/0081;  
 B65D 2251/0026; B65D 2251/009; B65D  
 2543/00046; B65D 47/08; B65D 47/12;  
 B65D 47/265; B65D 1/02; B65D 23/06;  
 B65D 25/56; B65D 41/56; B65D  
 2203/04; A47J 36/10; A47J 36/14; A47J  
 36/06; A47J 43/27; A61J 1/1412; A61J  
 2205/50; G01F 19/00

See application file for complete search history.

D170,840 S	11/1953	Tupper	
2,752,971 A	7/1956	Tupper	
3,820,692 A *	6/1974	Smith et al. ....	A47J 43/27 222/547
D233,116 S	10/1974	Swett	
5,547,275 A	8/1996	Lillelund et al.	
D374,147 S	10/1996	Lillelund et al.	
D409,043 S	5/1999	Lillelund	
D421,547 S *	3/2000	Demers .....	D7/510
D427,852 S	7/2000	Tal	
D505,294 S *	5/2005	Gauss .....	D7/392.1
D532,650 S	11/2006	de Groote	
D552,929 S	10/2007	de Groote	
D553,435 S	10/2007	de Groote	
D623,473 S	9/2010	Chen	
D626,837 S *	11/2010	Meyers .....	D9/443
D632,918 S	2/2011	Gordon	
D634,160 S	3/2011	Cetera	
D640,134 S *	6/2011	Rognard .....	D9/447
D667,269 S	9/2012	Pallotto	
D696,551 S *	12/2013	Meyers .....	D7/392.1
D699,996 S	2/2014	De Leo	
D702,489 S *	4/2014	Steel .....	D7/392
8,833,586 B2 *	9/2014	Meyers .....	B65D 47/089 215/395
D723,328 S *	3/2015	Steel .....	D7/396.2
D725,953 S *	4/2015	Gamelli .....	D7/300.1
D748,430 S *	2/2016	Sorensen .....	D7/392.1
D748,478 S *	2/2016	Sorensen .....	D9/443
D772,022 S *	11/2016	Cornu .....	D7/300.1
D782,908 S *	4/2017	Bentkovski .....	D9/449
D788,583 S *	6/2017	Tu .....	D7/392.1
D793,232 S *	8/2017	Buck .....	D9/449
D794,386 S *	8/2017	Steel .....	D7/396.2
D796,324 S *	9/2017	Buck .....	D9/449
D797,516 S *	9/2017	Meyers .....	D7/589
2015/0034748 A1	2/2015	Ortiz	
2015/0360831 A1 *	12/2015	Backert .....	A47G 23/16 222/109
2016/0029847 A1 *	2/2016	Friedman .....	A47J 43/27 366/130

\* cited by examiner

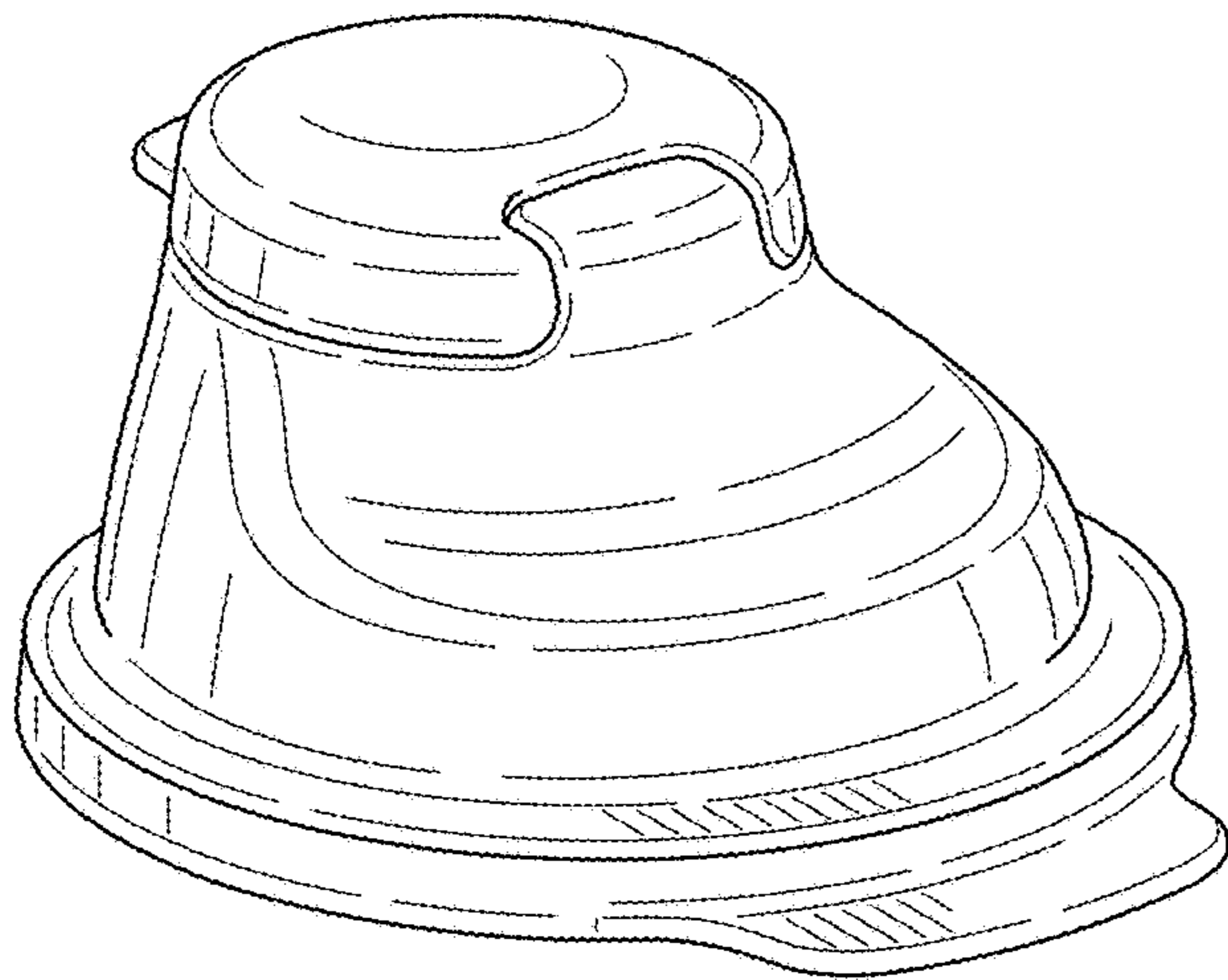


FIG. 1

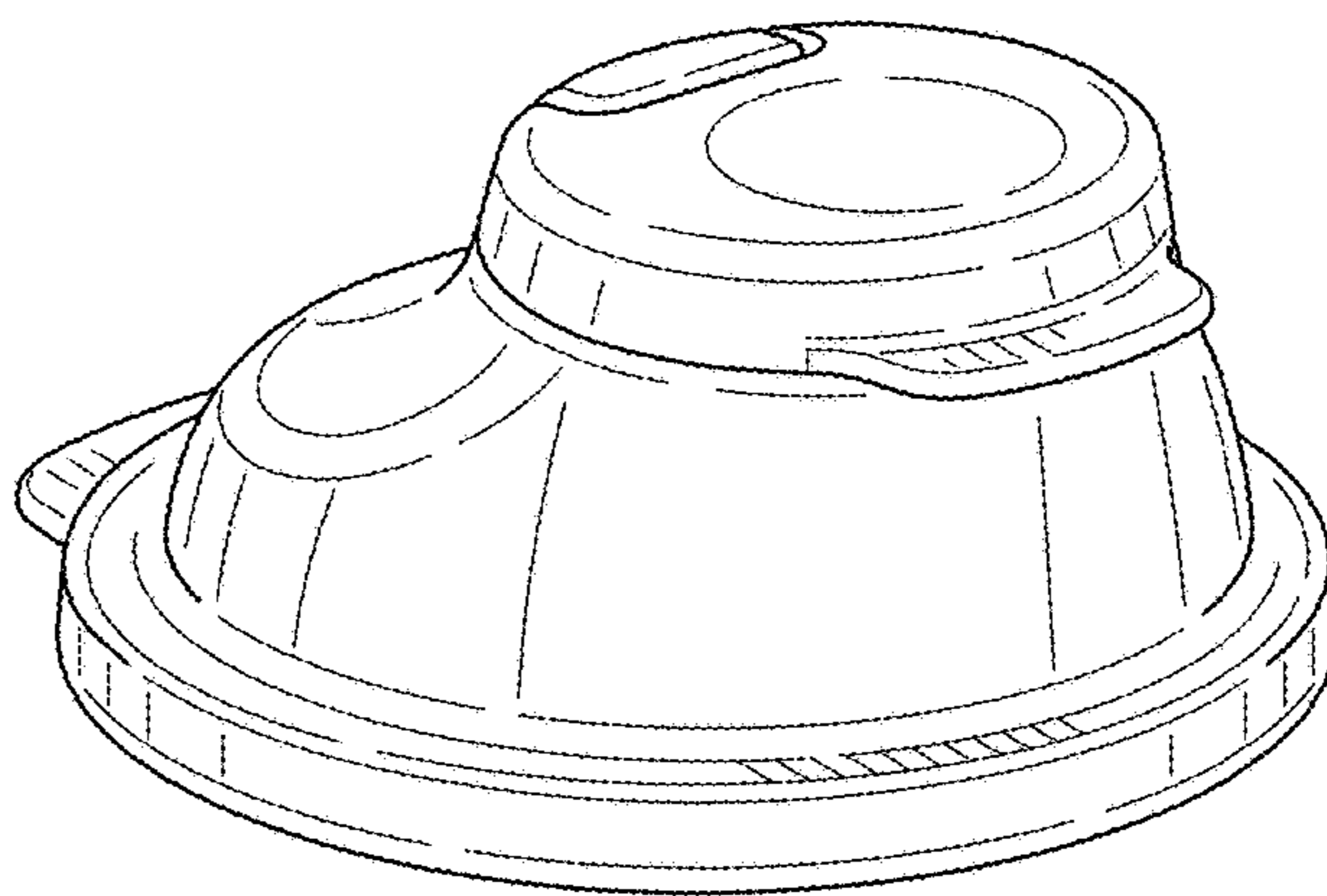


FIG. 2

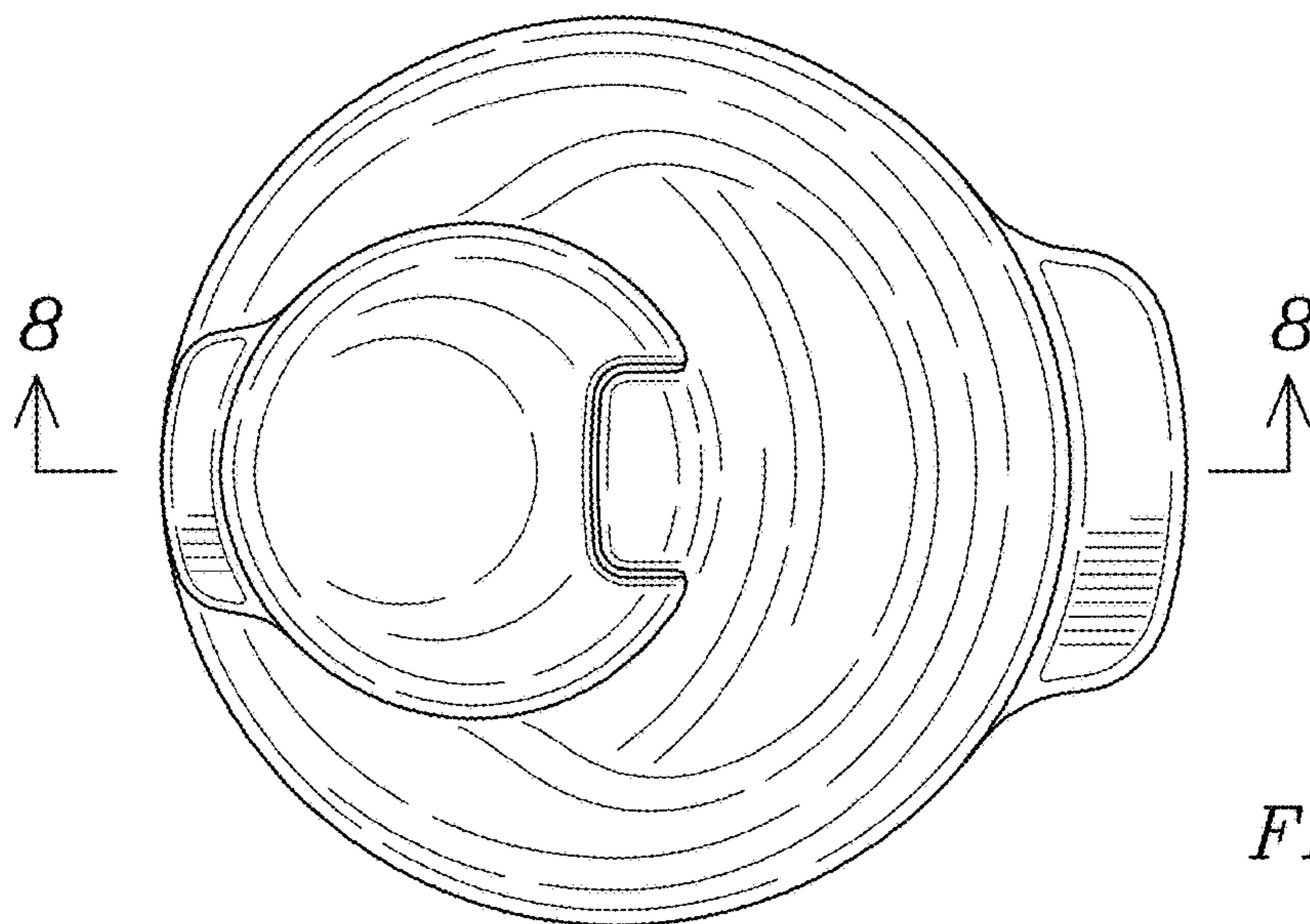


FIG. 3

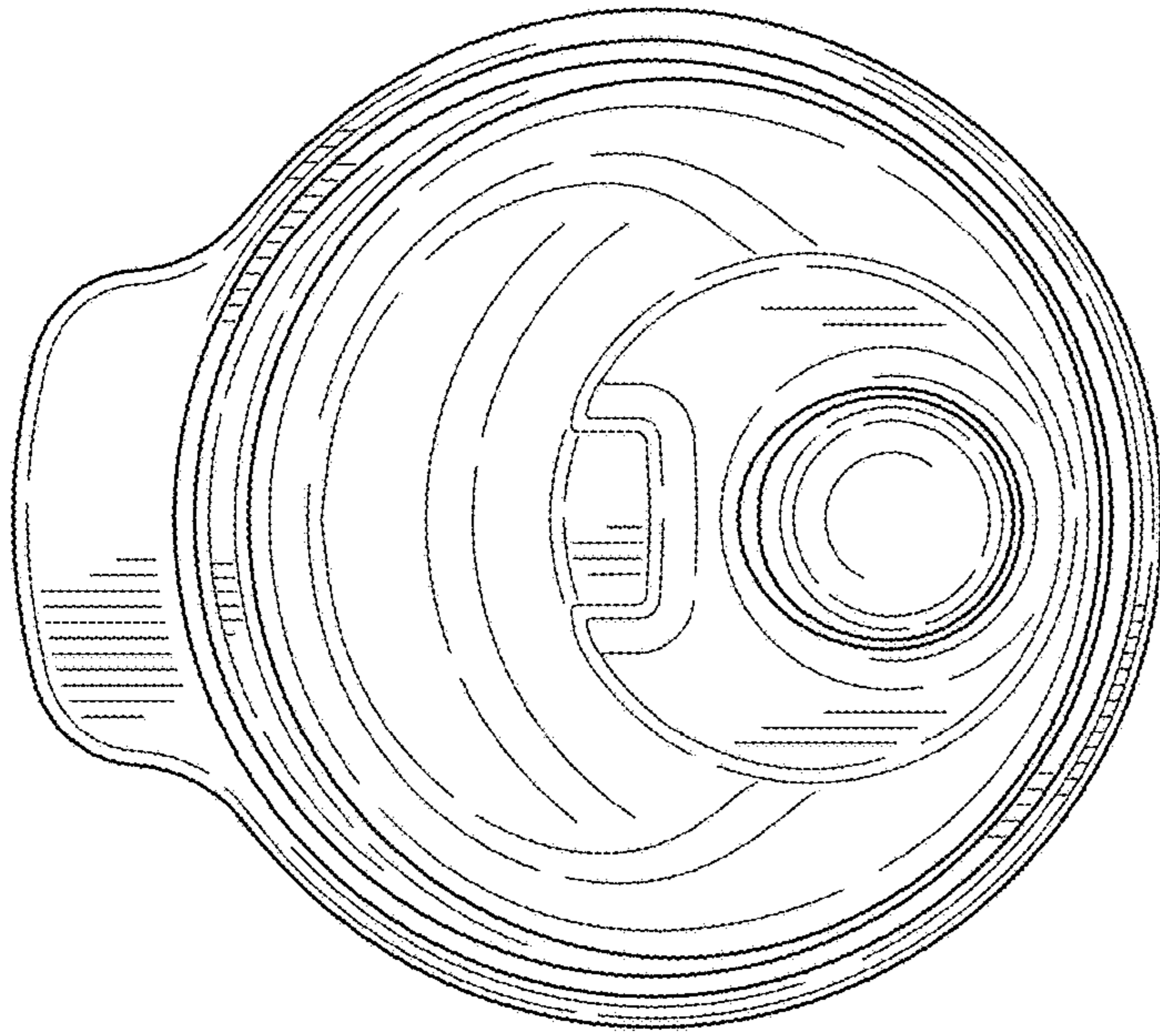


FIG. 4

FIG. 5

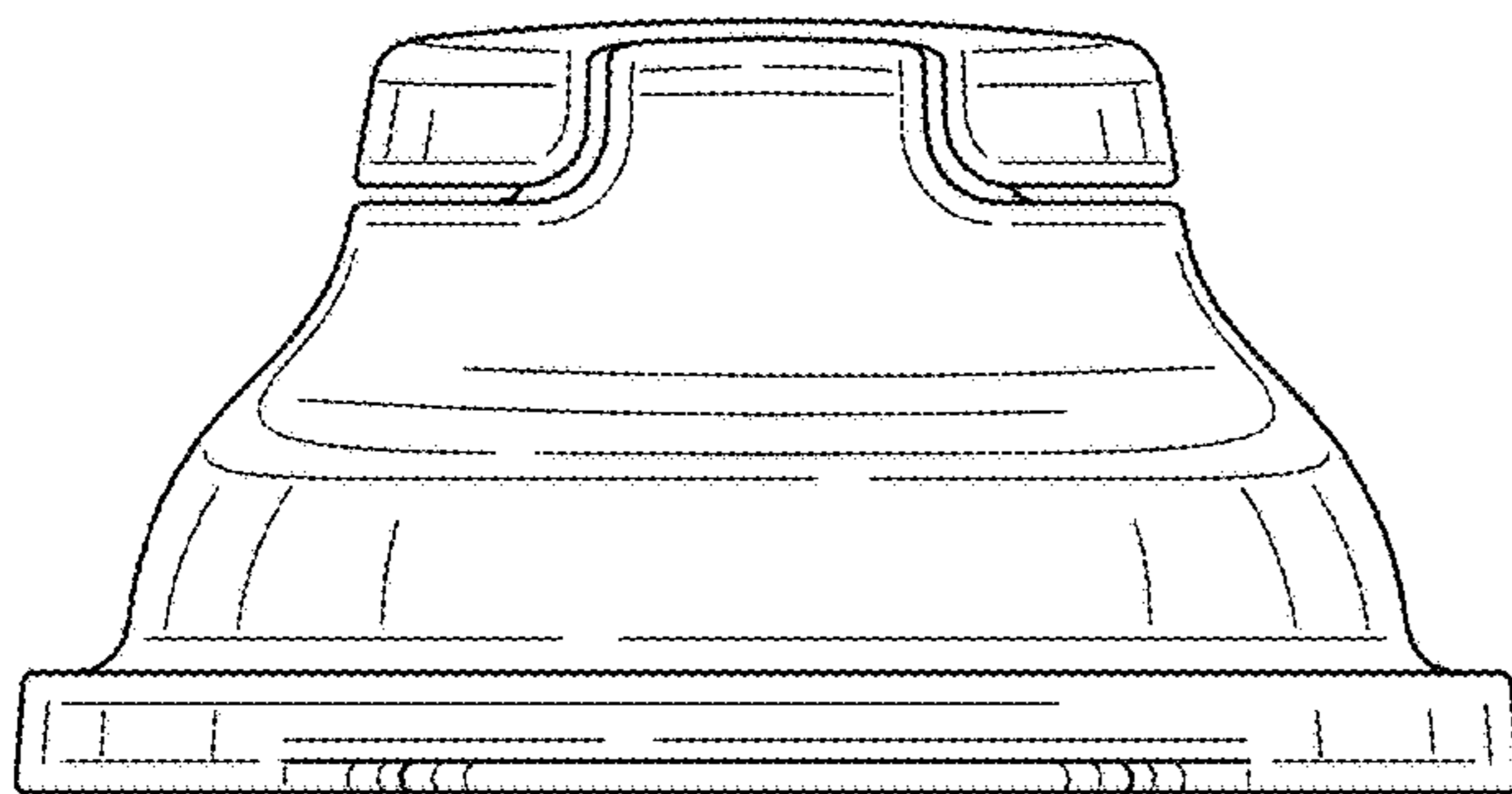
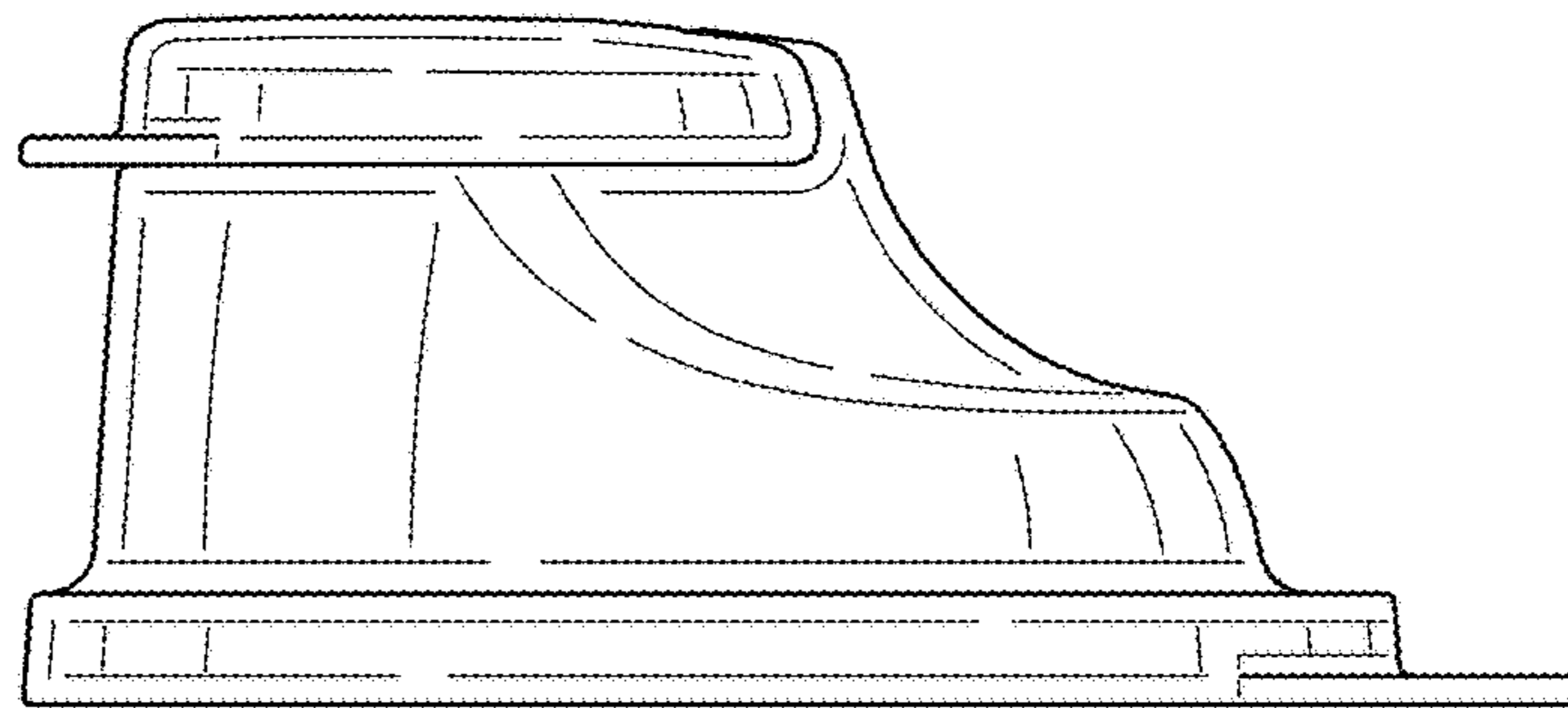


FIG. 6

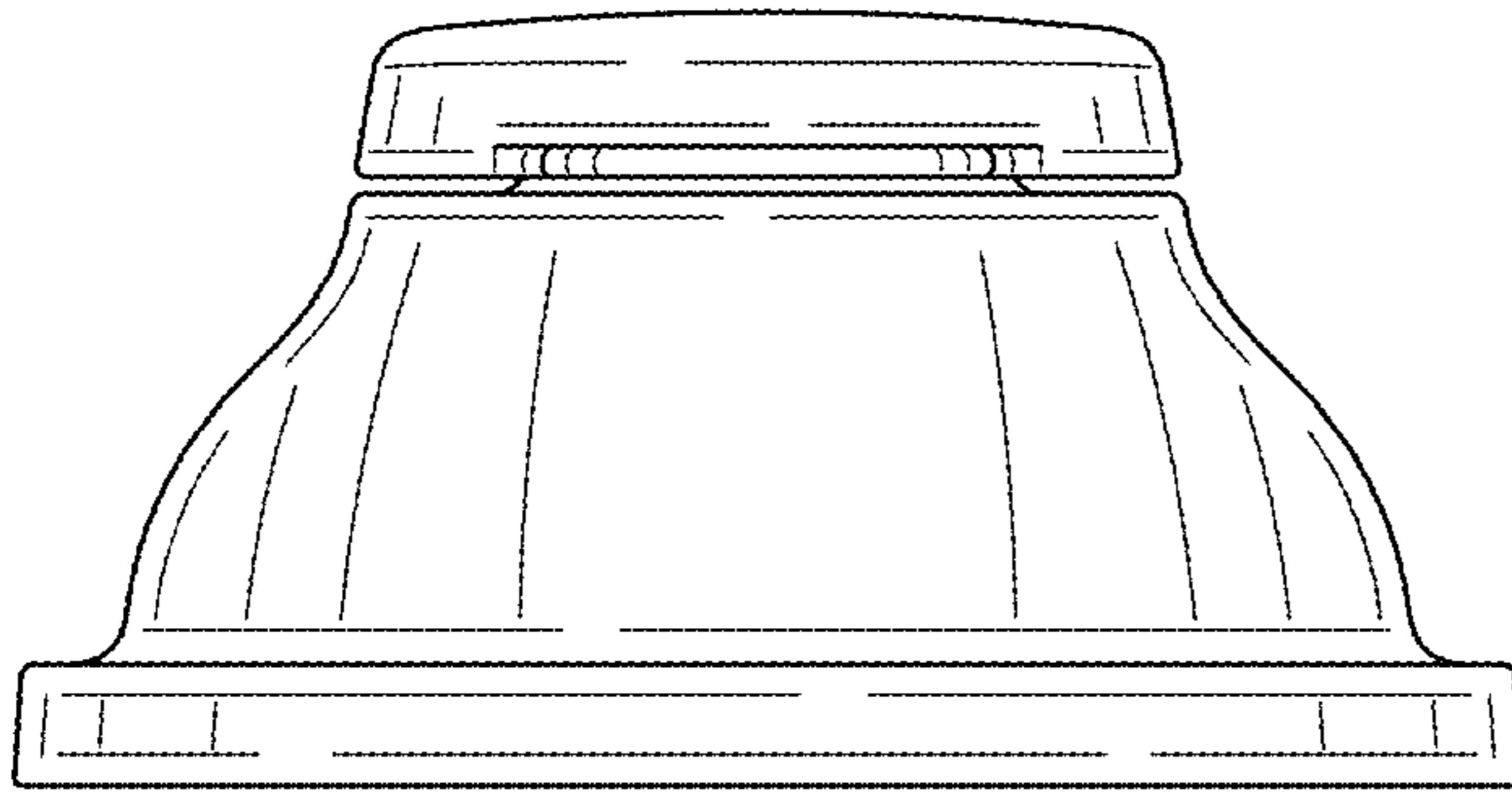


FIG. 7

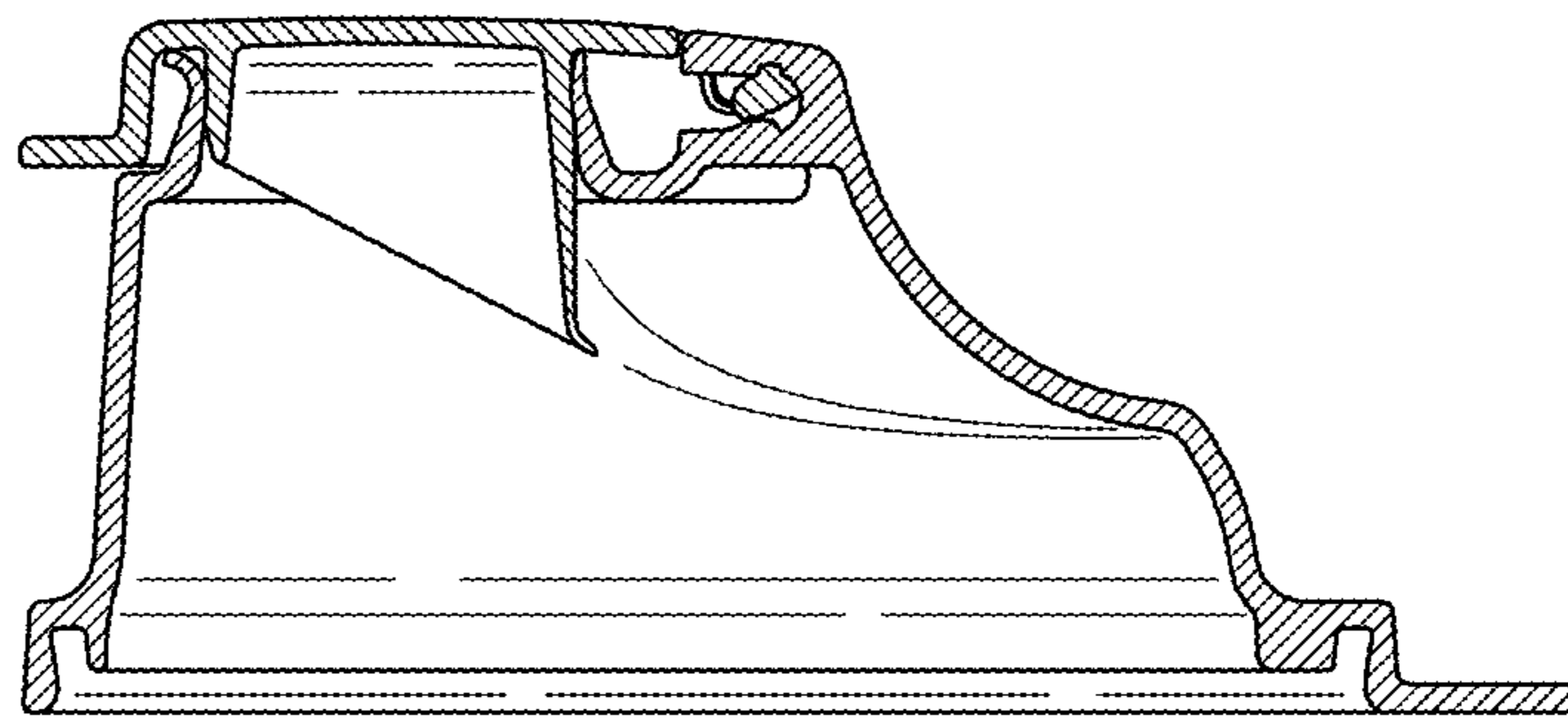


FIG. 8

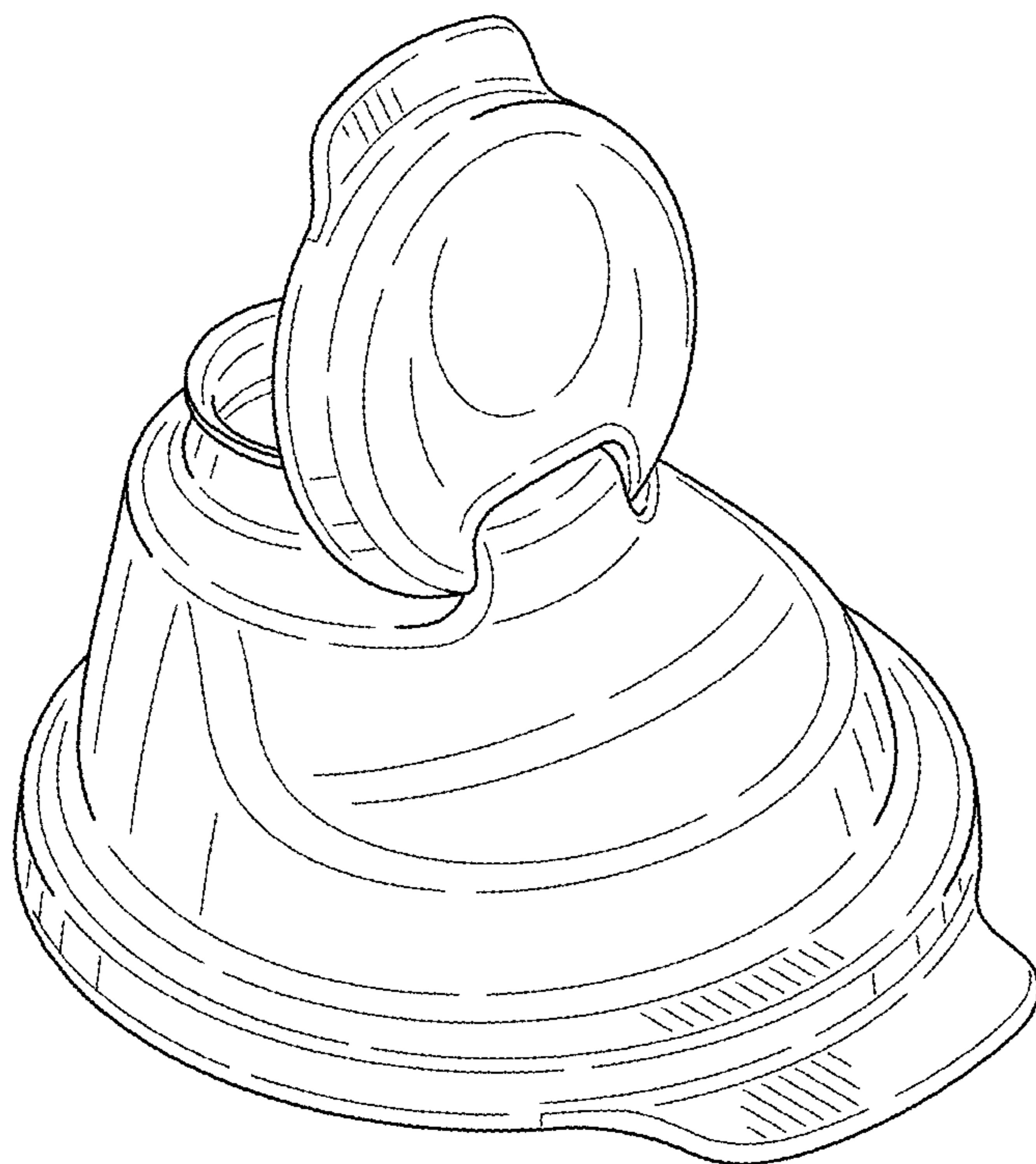


FIG. 9

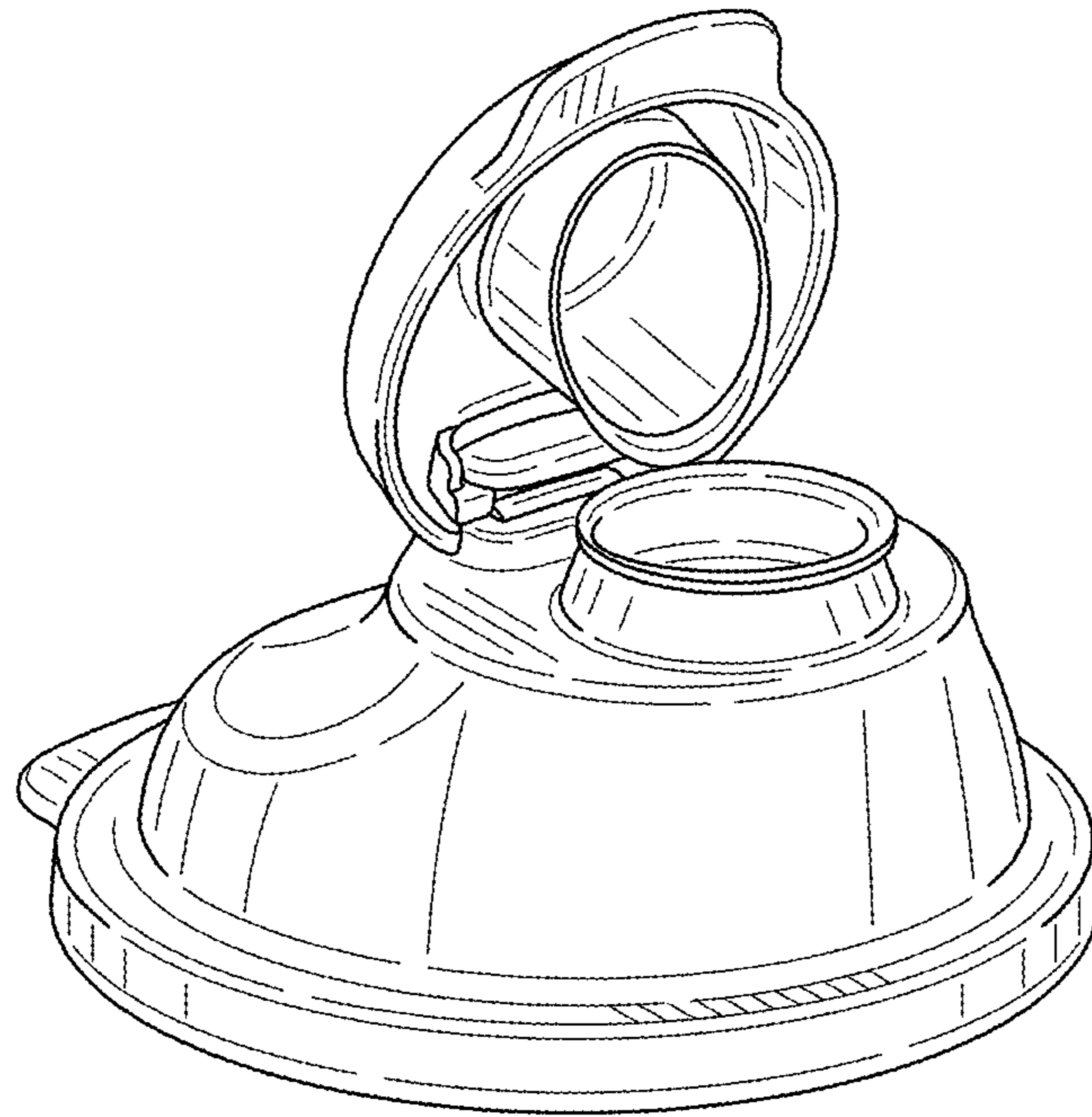


FIG. 10

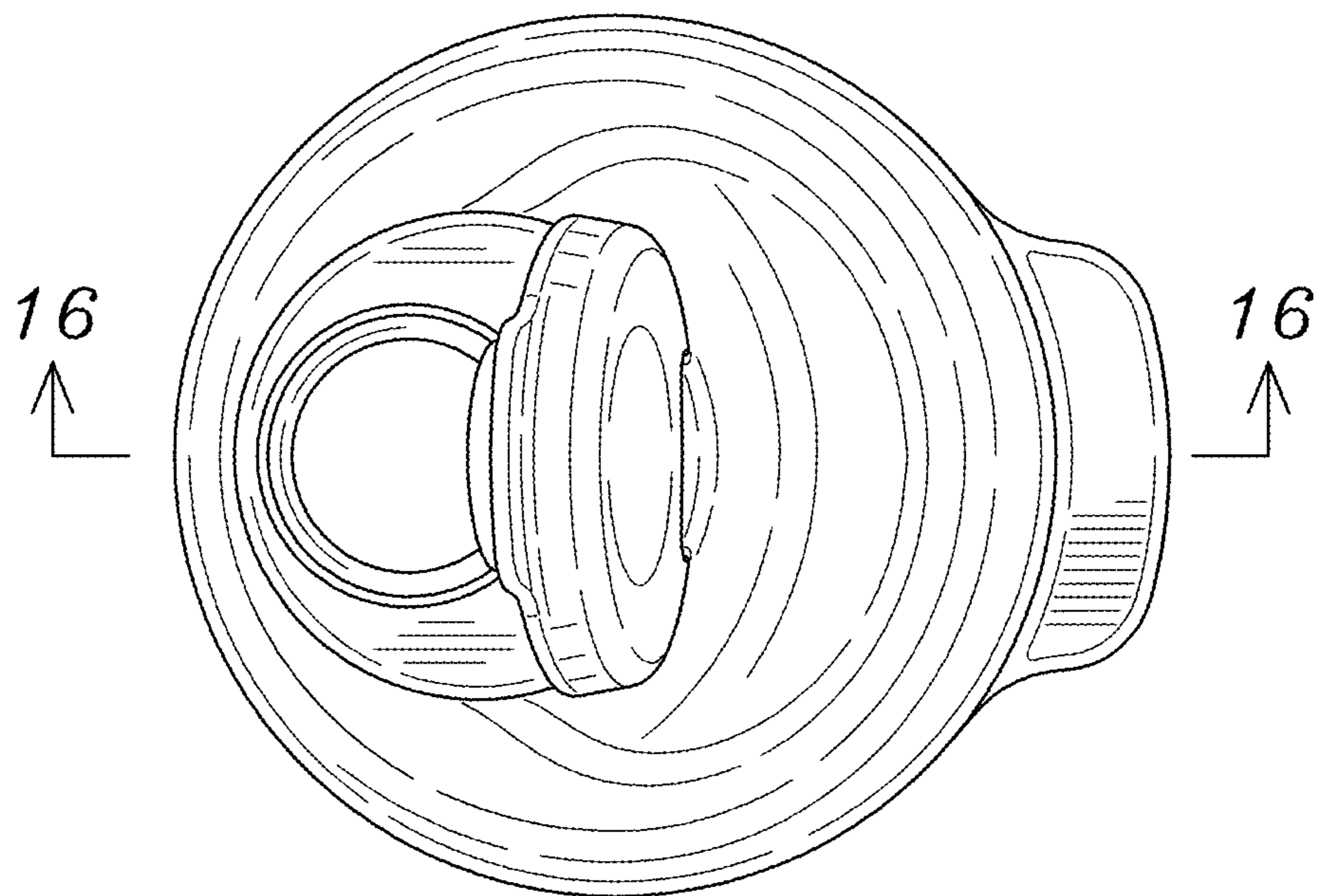
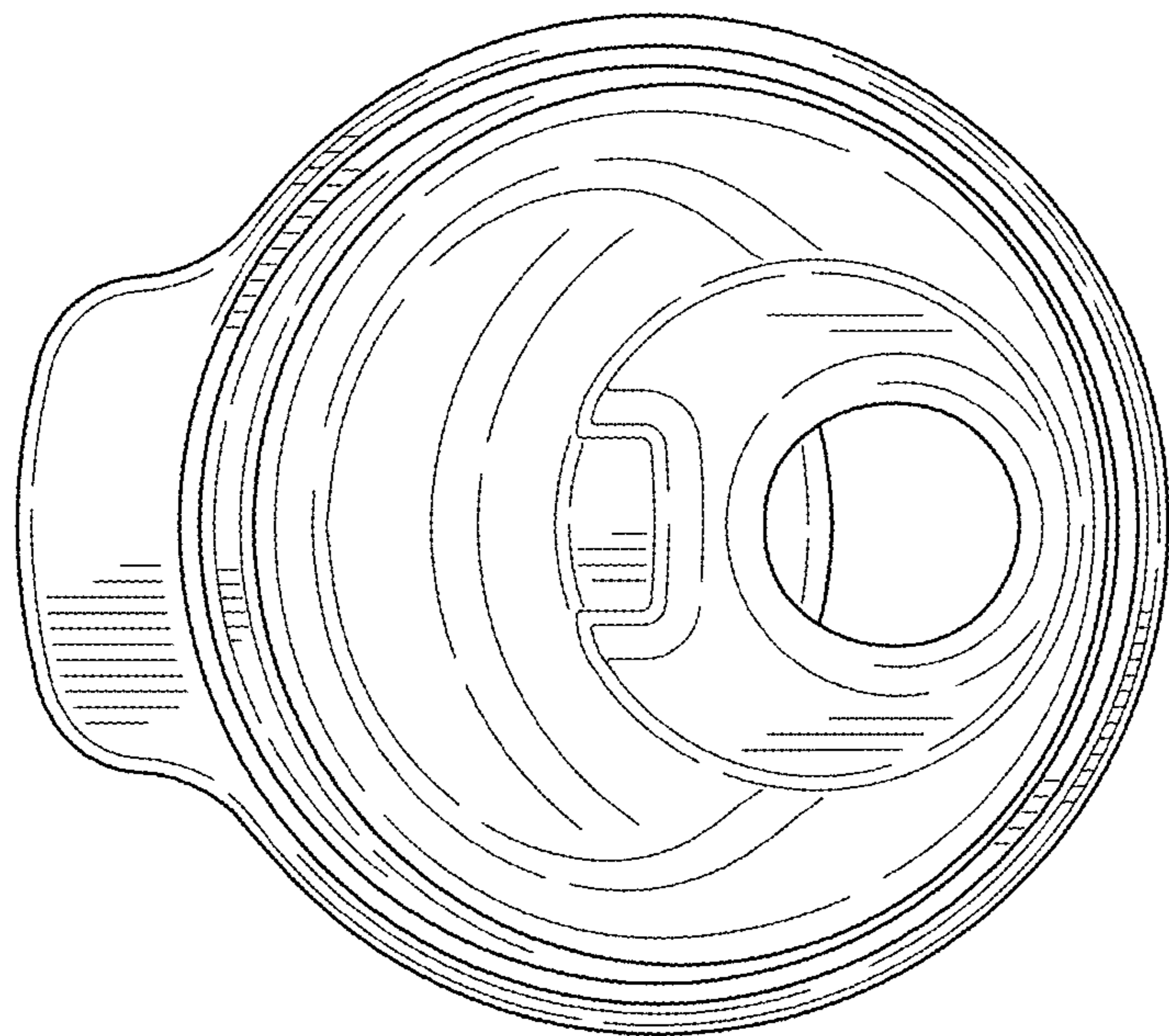
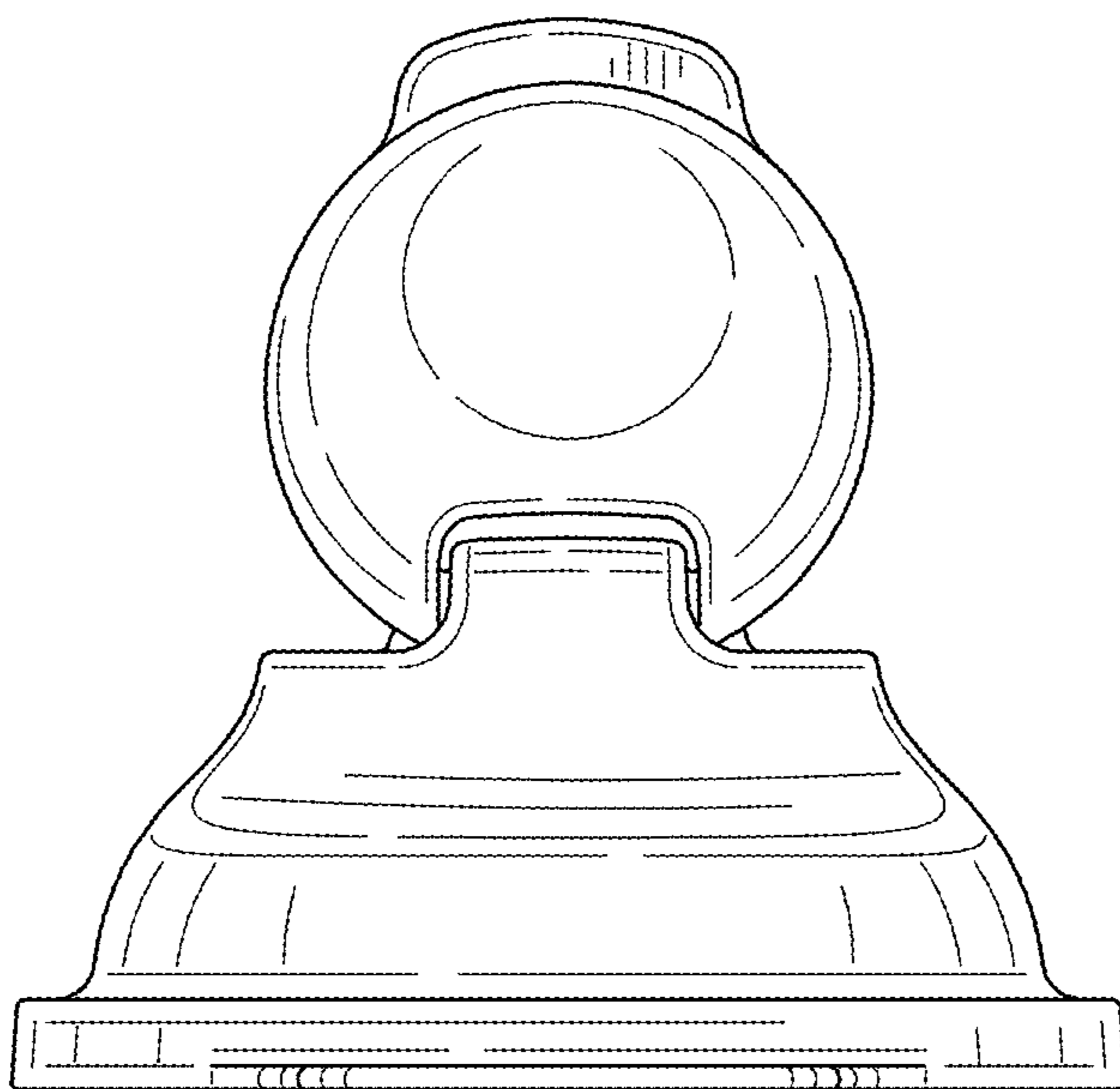


FIG. 11



*FIG. 12*



*FIG. 13*

FIG. 14

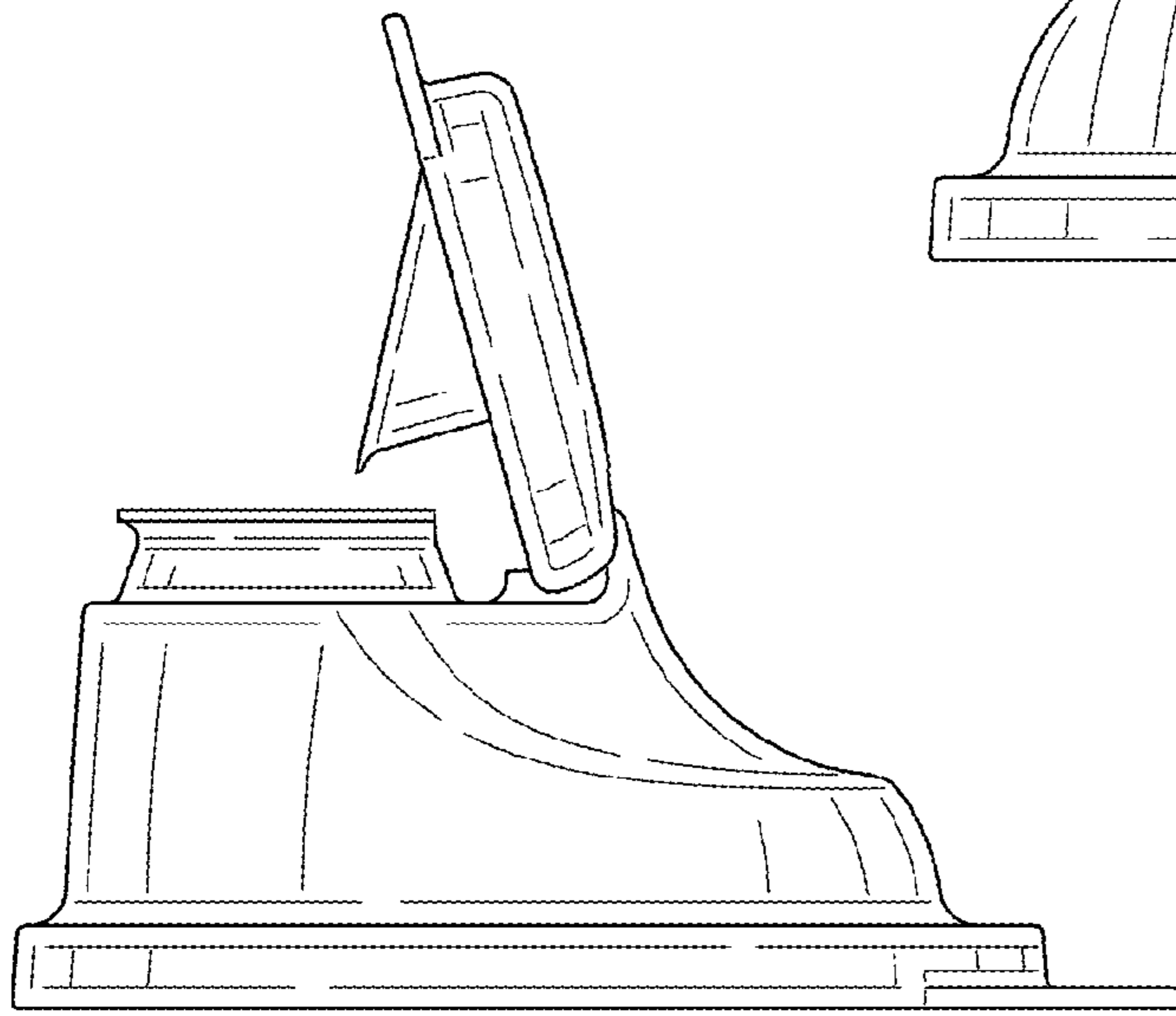
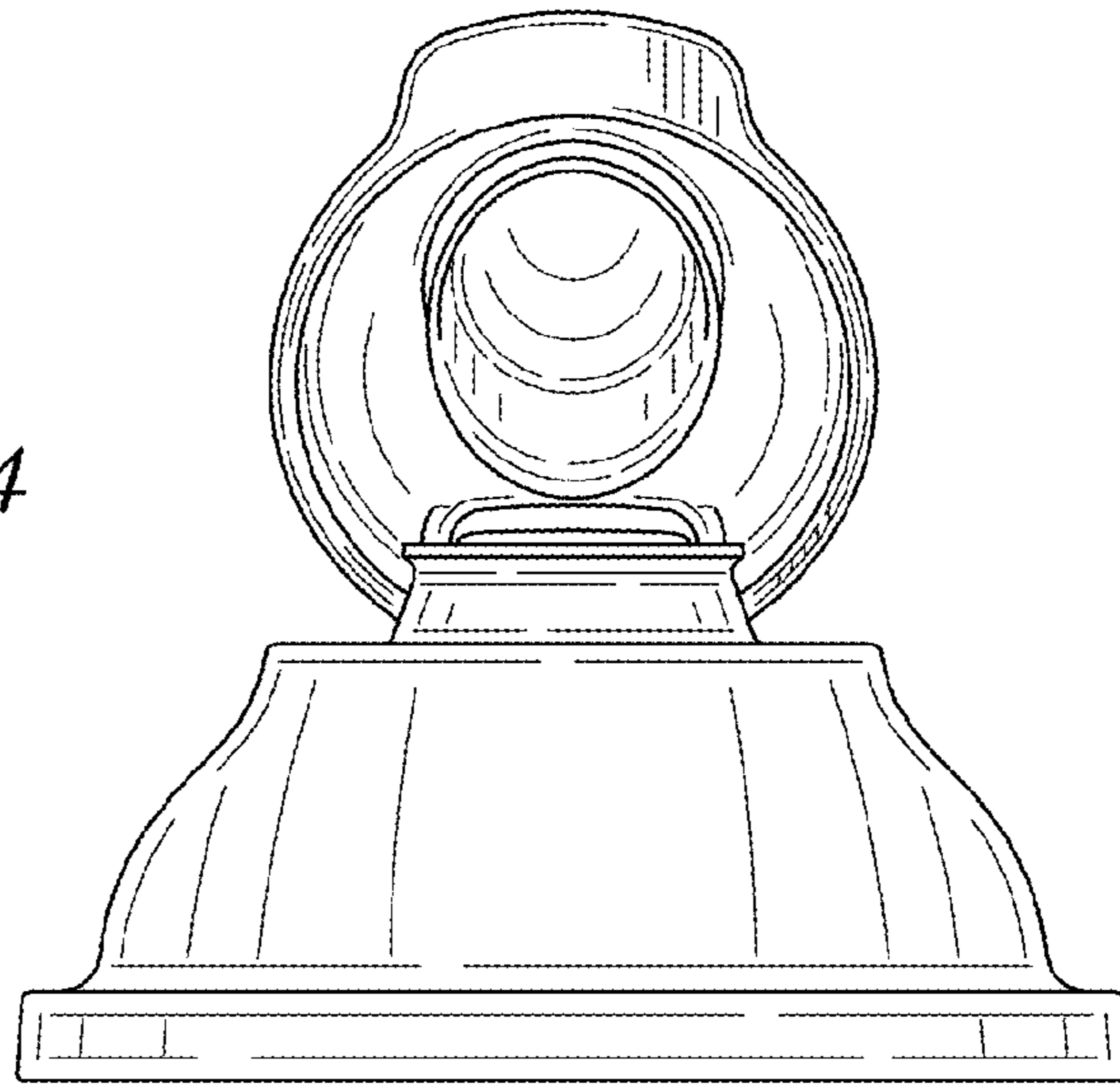


FIG. 15

FIG. 16

