



US00D813589S

(12) **United States Design Patent** (10) **Patent No.:** **US D813,589 S**  
**Graves et al.** (45) **Date of Patent:** **\*\* Mar. 27, 2018**

(54) **BARREL COOKER** 3,062,200 A 11/1962 Miller  
3,125,017 A 3/1964 Tauber et al.  
(71) Applicant: **Barrel House Cooker, LLC,** 3,209,672 A 10/1965 Baunach  
Bakersfield, CA (US) 3,228,319 A 1/1966 Miller  
(Continued)

(72) Inventors: **Brian Graves,** Bakersfield, CA (US);  
**Crispin Mercado,** Bakersfield, CA  
(US)

(73) Assignee: **Barrel House Cooker, LLC,**  
Bakersfield, CA (US)

(\*\*) Term: **15 Years**

(21) Appl. No.: **29/570,146**

(22) Filed: **Jul. 5, 2016**

(51) **LOC (11) Cl.** ..... **07-02**

(52) **U.S. Cl.**  
USPC ..... **D7/332**

(58) **Field of Classification Search**  
USPC ..... D7/332-337, 354, 402, 403  
CPC ..... A47J 37/0704; A47J 37/0786; A47J  
37/0763; A47J 37/0713; A47J 37/0781;  
A47J 33/00; F24C 15/12; F24C 15/18  
See application file for complete search history.

(56) **References Cited**

**U.S. PATENT DOCUMENTS**

1,336,766 A 4/1919 Marshall et al.  
1,385,931 A 7/1921 Semonin  
1,518,811 A 12/1924 Murray  
2,001,615 A 1/1932 Karten  
D97,580 S 11/1935 Ingersoll  
2,158,341 A 5/1939 Thau  
2,221,098 A 11/1940 Joseph  
2,348,452 A 3/1942 Christopher  
2,349,617 A 5/1944 Gorman  
2,408,935 A 10/1946 Kunst  
2,488,014 A 11/1949 Higman  
2,608,190 A 2/1950 Winning et al.  
2,718,845 A 11/1955 Dudley  
2,842,043 A 7/1958 Renland

**FOREIGN PATENT DOCUMENTS**

CA 1072762 A 5/1980  
DE 3631372 A1 3/1988  
(Continued)

**OTHER PUBLICATIONS**

Karoly, Steven, "Round the Chuckbox: Ugly Drum Smoker" Oct.  
20, 2009, <http://roundthechuckbox.blogspot.com/2009/10/uglydrumsmoker.html>.  
(Continued)

*Primary Examiner* — Susan Bennett Hattan  
*Assistant Examiner* — Brett Miller  
(74) *Attorney, Agent, or Firm* — Mark D. Miller; William  
K. Nelson

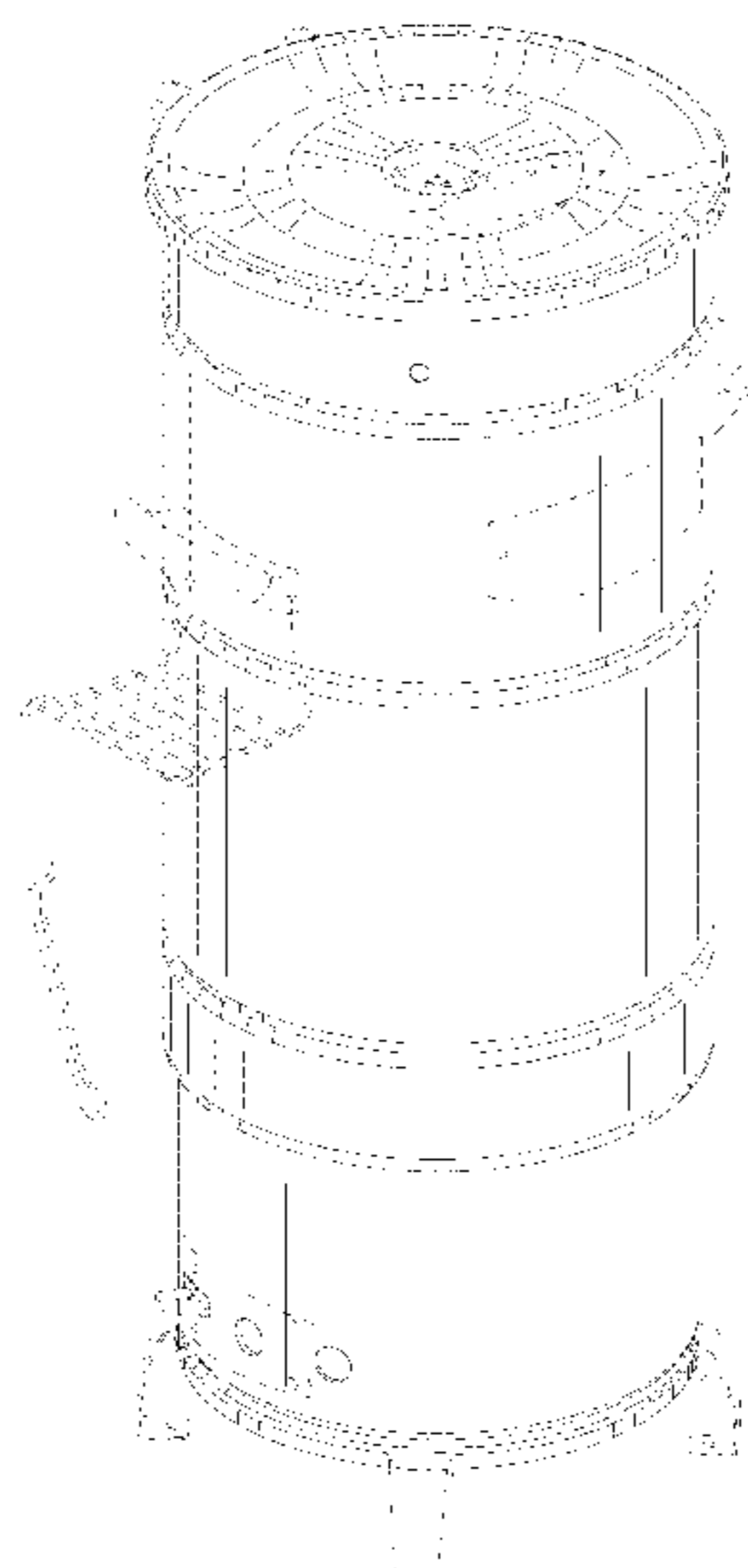
(57) **CLAIM**

We claim the ornamental design for a barrel cooker, as  
shown and described.

**DESCRIPTION**

FIG. 1 is a front perspective view of a barrel cooker showing  
our new design;  
FIG. 2 is a left side elevational view thereof;  
FIG. 3 is a right side elevational view thereof;  
FIG. 4 is a rear elevational view thereof;  
FIG. 5 is a front elevational view thereof;  
FIG. 6 is a top plan view thereof; and,  
FIG. 7 is a bottom plan view thereof.  
The broken lines showing such features as hinges, handles  
and the like are not part of the claimed design.

**1 Claim, 6 Drawing Sheets**



(56)

## References Cited

| U.S. PATENT DOCUMENTS |     |  |              |      |   |
|-----------------------|-----|--|--------------|------|---|
| 3,254,800             | A   | 6/1966 Baunach                               | 5,768,977    | A    | 6/1998 Parris et al.                            |
| 3,266,478             | A   | 8/1966 Booth                                 | 5,988,158    | A    | 11/1999 Schmidt                                 |
| 3,276,440             | A   | 10/1966 Sazegar                              | 6,012,382    | A    | 1/2000 McLemore                                 |
| 3,299,800             | A   | 1/1967 Angelo                                | 6,016,797    | A    | 1/2000 Nowicke, Jr.                             |
| 3,323,508             | A   | 6/1967 Holman                                | 6,019,033    | A    | 2/2000 Wilson et al.                            |
| 3,333,526             | A   | 8/1967 Kirkpatrick                           | 6,029,566    | A    | 2/2000 McLemore                                 |
| 3,398,733             | A   | 8/1968 Bradley                               | 6,089,145    | A    | 7/2000 Watson                                   |
| 3,457,853             | A   | 7/1969 Morley                                | 6,213,115    | B1 * | 4/2001 Anderson ..... A47J 33/00<br>126/46      |
| 3,472,151             | A   | 10/1969 Cox                                  | 6,234,066    | B1   | 5/2001 Zittel et al.                            |
| 3,529,536             | A   | 9/1970 Milhem                                | 6,276,264    | B1   | 8/2001 Dumm                                     |
| 3,529,557             | A   | 9/1970 Treanor                               | 6,307,193    | B1   | 10/2001 Toole                                   |
| 3,556,078             | A   | 1/1971 McGaughey                             | 6,422,134    | B1   | 7/2002 Barksdale et al.                         |
| D222,310              | S   | 10/1971 Zaunbrecher                          | D463,948     | S    | 10/2002 Innes                                   |
| 3,665,913             | A   | 5/1972 Cagle                                 | 6,543,435    | B1   | 4/2003 Regen et al.                             |
| 3,776,127             | A   | 12/1973 Muse                                 | 6,561,178    | B1   | 5/2003 Hayes                                    |
| 3,851,639             | A   | 12/1974 Beddoe                               | 6,615,821    | B1 * | 9/2003 Fisenko ..... A47J 37/0704<br>126/15 R   |
| 3,868,942             | A   | 3/1975 Lewis                                 | D481,903     | S *  | 11/2003 Hester ..... D7/332                     |
| 3,915,144             | A   | 10/1975 Tomita                               | 6,622,616    | B1   | 11/2003 Measom                                  |
| 3,942,425             | A   | 3/1976 Canright                              | 6,644,298    | B2   | 11/2003 Hermansen et al.                        |
| 3,974,760             | A   | 8/1976 Ellis                                 | D486,348     | S    | 2/2004 Zhu                                      |
| D244,249              | S * | 5/1977 Boswell ..... D7/332                  | 6,748,939    | B1   | 6/2004 Gober                                    |
| 4,094,295             | A   | 6/1978 Boswell et al.                        | 6,841,759    | B2   | 1/2005 Elwedini                                 |
| 4,125,065             | A   | 11/1978 Lee                                  | 6,845,707    | B1   | 1/2005 Xu et al.                                |
| 4,150,610             | A   | 4/1979 Ferrara                               | 6,913,011    | B1   | 7/2005 Snider                                   |
| 4,154,154             | A   | 5/1979 Vivian                                | 6,962,106    | B2   | 11/2005 Viraldo                                 |
| 4,170,173             | A   | 10/1979 Bradford                             | 7,140,362    | B1   | 11/2006 Johnston                                |
| 4,271,344             | A   | 6/1981 Horiuchi et al.                       | 7,159,509    | B2   | 1/2007 Starkey                                  |
| 4,281,633             | A   | 8/1981 Wackerman                             | D550,022     | S    | 9/2007 Amajuwon et al.                          |
| 4,282,854             | A   | 8/1981 Byars                                 | 7,281,469    | B1   | 10/2007 Barbour et al.                          |
| 4,282,856             | A   | 8/1981 Byars                                 | D574,177     | S *  | 8/2008 Hulsey ..... D7/335                      |
| 4,300,444             | A   | 11/1981 Muse                                 | D576,833     | S *  | 9/2008 Mansell ..... D7/332                     |
| 4,382,432             | A   | 5/1983 Lizdas                                | 7,426,855    | B2   | 9/2008 Aubele et al.                            |
| 4,467,709             | A   | 8/1984 Anstedt                               | 7,703,389    | B2   | 4/2010 McLemore et al.                          |
| 4,490,597             | A   | 12/1984 Mengel                               | D615,798     | S    | 5/2010 McLemore et al.                          |
| 4,495,860             | A   | 1/1985 Hitch et al.                          | D616,243     | S    | 5/2010 McLemore et al.                          |
| 4,512,249             | A   | 4/1985 Mentzel                               | D620,312     | S    | 7/2010 Jendrass                                 |
| 4,532,911             | A   | 8/1985 Orter                                 | D629,244     | S *  | 12/2010 McLemore ..... D7/332                   |
| 4,554,864             | A   | 11/1985 Smith et al.                         | 7,861,705    | B2 * | 1/2011 Hulsey ..... A47J 37/07<br>126/25 A      |
| 4,574,689             | A   | 3/1986 Robertson                             | D650,215     | S *  | 12/2011 Chung ..... D7/332                      |
| 4,604,986             | A   | 8/1986 Barnes                                | D653,074     | S    | 1/2012 Difante                                  |
| 4,627,336             | A   | 12/1986 Nam                                  | 8,201,550    | B2   | 6/2012 Malumyan                                 |
| 4,643,162             | A   | 2/1987 Collins                               | 8,316,836    | B2   | 11/2012 Grasso et al.                           |
| 4,700,618             | A   | 10/1987 Cox                                  | 8,464,702    | B2   | 6/2013 Foster                                   |
| 4,702,224             | A   | 10/1987 Griffith                             | 8,511,295    | B2   | 8/2013 Buerkle                                  |
| 4,732,138             | A   | 3/1988 Vos                                   | 8,556,310    | B1   | 10/2013 Nabors                                  |
| 4,757,756             | A   | 7/1988 Van Marr                              | 8,739,380    | B1   | 6/2014 Montgomery                               |
| 4,788,906             | A   | 12/1988 Starks                               | 8,739,830    | B2   | 6/2014 Montgomery                               |
| 4,823,684             | A   | 4/1989 Traeger et al.                        | 8,851,063    | B1   | 10/2014 DeGraff et al.                          |
| 4,858,786             | A   | 8/1989 Eagar                                 | 8,919,334    | B2   | 12/2014 Glanville et al.                        |
| 4,862,792             | A   | 9/1989 Lerma, Jr.                            | 9,200,809    | B2   | 12/2015 Knight                                  |
| 4,913,126             | A   | 4/1990 McCall                                | D755,557     | S *  | 5/2016 Stout ..... D7/332                       |
| 4,924,844             | A   | 5/1990 Bransburg                             | D760,531     | S    | 7/2016 Scheer                                   |
| 4,962,697             | A   | 10/1990 Farrar                               | 2001/0000327 | A1   | 4/2001 Zittel et al.                            |
| 5,012,061             | A   | 4/1991 Lesser                                | 2004/0089163 | A1   | 5/2004 Elwendini                                |
| 5,078,049             | A   | 1/1992 Glanton                               | 2004/0168581 | A1   | 9/2004 Eisinger et al.                          |
| 5,086,752             | A   | 2/1992 Hait                                  | 2004/0250690 | A1   | 12/2004 Restis et al.                           |
| 5,094,223             | A   | 3/1992 Gonzalez                              | 2005/0011370 | A1   | 1/2005 Xu et al.                                |
| 5,144,939             | A   | 9/1992 Christopherson                        | 2006/0016447 | A1   | 1/2006 Meyer                                    |
| 5,191,831             | A   | 3/1993 Walden                                | 2006/0075905 | A1   | 4/2006 Shih                                     |
| 5,325,841             | A   | 7/1994 Hooper, Sr.                           | 2006/0243141 | A1   | 11/2006 Mayer et al.                            |
| 5,359,923             | A   | 11/1994 Boswell                              | 2006/0254432 | A1   | 11/2006 McLemore                                |
| 5,359,988             | A   | 11/1994 Hait                                 | 2006/0260599 | A1   | 11/2006 Butt                                    |
| 5,473,979             | A * | 12/1995 Ruben ..... A47J 37/0704<br>126/25 R | 2007/0199555 | A1   | 8/2007 Gregory                                  |
| 5,481,964             | A   | 1/1996 Kitten                                | 2008/0135039 | A1   | 6/2008 Sharpe                                   |
| 5,515,774             | A   | 5/1996 Swisher et al.                        | 2008/0163765 | A1   | 7/2008 O'Shea                                   |
| D370,380              | S * | 6/1996 McGourthy, Jr. .... D7/332            | 2009/0020491 | A1   | 1/2009 Foster                                   |
| 5,531,154             | A   | 7/1996 Perez                                 | 2009/0199839 | A1   | 8/2009 Husley                                   |
| 5,555,796             | A   | 9/1996 Kortschot et al.                      | 2009/0308373 | A1   | 12/2009 Scott et al.                            |
| D374,371              | S   | 10/1996 McDonald                             | 2010/0300425 | A1   | 12/2010 Rees                                    |
| 5,638,743             | A   | 6/1997 Lo                                    | 2011/0061543 | A1   | 3/2011 Ingrassia et al.                         |
| 5,644,977             | A   | 7/1997 Rodriguez                             | 2011/0275023 | A1   | 11/2011 Knight                                  |
| 5,711,209             | A   | 1/1998 Guines                                | 2012/0156350 | A1   | 6/2012 Gates et al.                             |
| 5,715,743             | A   | 2/1998 Goddard                               | 2013/0014743 | A1 * | 1/2013 Glanville ..... A47J 37/0704<br>126/25 R |
| 5,752,497             | A   | 5/1998 Combs et al.                          |              |      |   |

(56)

**References Cited**

## U.S. PATENT DOCUMENTS

2013/0074705 A1 3/2013 Ciaciura  
2014/0026765 A1 1/2014 Fou  
2014/0224750 A1 8/2014 Vogds

## FOREIGN PATENT DOCUMENTS

EP 1871205 B1 4/2010  
EP 2683280 B1 8/2015  
FR 2181880 A1 7/1973  
FR 2639813 A1 12/1988  
FR 2639813 A1 6/1990  
GB 563024 A 7/1944  
WO 0076381 A1 12/2000  
WO 2010001133 A1 1/2010  
WO 2010001135 A1 1/2010  
WO 2010063992 A1 6/2010  
WO 2010001135 A1 1/2015

## OTHER PUBLICATIONS

Collins, Patrick, "Chicken Barrel Cooker" (You Tube 2010) <https://www.youtube.com/watch?v=oCFTF5T-cp4>.

Pierce, Mike, "Kauai's best Barbecue: Chicken in a Barrel BBQ" (2010), <http://www.soffiawardy.com/eatdrink/eatbycity/kauaihawaii/kauaisbestroadsidebarbequechickeninabarrelbbq/>.

Pierce, Mike, Chicken in a Barrel BBQ—Best BBQ—Hawaii 2015, <https://www.youtube.com/watch?v=mVtw4XFmudQ>.

Barrel House Cooker, Owner's Manual (2015).

Reed, Malcom, "How to BBQ Right" (Apr. 12, 2011), [www.howtobbqright.com](http://www.howtobbqright.com).

Reed, Malcom, "Build your own UDS" (Apr. 12, 2011), [www.howtobbqright.com](http://www.howtobbqright.com).

Smoking Meat Forum, "New Barrel in a Barrel UDS", (Apr. 27, 2008) <http://www.smokingmeatforums.com/t/65394/newbarrelinabarreluds>.

The Pickled Pig's UDS Build (2009), [www.thepickledpig.com](http://www.thepickledpig.com).

Whistlestop: Chicken in a Barrel (You Tube Mar. 16, 2011) <https://www.youtube.com/watch?v=6VBk2DemD9Y>.

Hawaii Life: Chicken in a Barrel (You Tube Nov. 13, 2014) <https://www.youtube.com/watch?v=3GyuTOCtoUI>.

Barrel Smoker Chicken (You Tube May 31, 3010), <https://www.youtube.com/watch?v=-eBILaFTqIM>.

Karoly, Steven, "Round the Chuckbox: Ugly drum smoker", Mar. 29, 2016, <http://roundthechuckbox.blogspot.com/2011/05/uglydrumsmoker.html>.

Barrel House Cooker Deluxe Kit, Jun. 29, 2016, <https://www.barrelhousecooker.com/product/bhcdeluxe/>.

Barrel House Cooker Standard Kit, Jun. 29, 2016, <https://www.barrelhousecooker.com/product/bhcstandard/>.

"Beef in a Barrel Barbecue," Sunset Publish. Corp., May 1984, <https://www.questia.com/read/1G13245623/beefinabarrelbarbecue>.

"Barbecuing chicken in a barrel," Sunset Publish. Corp., 1984, <http://www.thefreelibrary.com/Barbecuing+chicken+in+a+barrel.a03245653>.

<http://www.smokingmeatforums.com/t/91458/ behold-the-black-beauty/20>.

<http://www.smokingmeatforums.com/t/91458/ behold-the-black-beauty>.

<http://www.smokingmeatforums.com/t/84635/ finally-finished-my-uds/20>.

<http://www.smokingmeatforums.com/t/84635/ finally-finished-my-uds>.

<http://www.smokingmeatforums.com/t/75297/ finally-my-uds-is-here>.

<http://insidecolumbia.net/2016/05/07/for-the-love-of-smoke/>.

<http://www.mightymac.org/07americanroyalBBQ.htm>.

[http://www.basehorinfo.com/news/2007/may/10/mis-souri\\_team\\_wins\\_barbecue\\_title/](http://www.basehorinfo.com/news/2007/may/10/mis-souri_team_wins_barbecue_title/).

<http://www.smokingmeatforums.com/t/93508/my-drum-beginings>.

<http://www.smokingmeatforums.com/t/87593/my-first-uds-is-complete-and-running-w-pics>.

<http://www.smokingmeatforums.com/t/82912/my-new-uds-and-seasoning-fatties>.

<http://www.smokingmeatforums.com/t/75578/my-new-uds-w-qview>.

<http://www.smokingmeatforums.com/t/95775/my-uds-build-with-stainless-steel-intake-and-exhaust>.

<http://www.smokingmeatforums.com/t/95723/my-uds-finally-now-with-pics-and-video>.

<http://www.smokingmeatforums.com/t/72013/my-uds-is-finished/20>.

<http://www.smokingmeatforums.com/t/72013/my-uds-is-finished/40>.

<http://www.smokingmeatforums.com/t/72013/my-uds-is-finished>.

<http://www.smokingmeatforums.com/t/87947/ok-got-my-drum-last-night-any-last-minute-pointers>.

<http://www.smokingmeatforums.com/t/87947/ok-got-my-drum-last-night-any-last-minute-pointers/20>.

<http://www.smokingmeatforums.com/t/94186/one-more-uds-question/20>.

<http://www.smokingmeatforums.com/t/94186/one-more-uds-question>.

<http://www.smokingmeatforums.com/t/90748/pics-of-my-uds>.

<http://www.smokingmeatforums.com/t/88858/tailgating-uds-build-w-qview/20>.

<http://www.smokingmeatforums.com/t/88858/tailgating-uds-build-w-qview>.

<http://www.bbq-brethren.com/forum/showpost.php?p=383013&postcount=211>.

[http://mydigitalpublication.com/publication/index.php?i=263552&m=&I=&p=11&pre=&ver=html5#{"page":10,"issue\\_id":263552}](http://mydigitalpublication.com/publication/index.php?i=263552&m=&I=&p=11&pre=&ver=html5#{"page":10,"issue_id":263552}).

[http://mydigitalpublication.com/publication/index.php?i=263552&m=&I=&p=11&pre=&ver=html5#{"page":24,"issue\\_id":263552}](http://mydigitalpublication.com/publication/index.php?i=263552&m=&I=&p=11&pre=&ver=html5#{"page":24,"issue_id":263552}).

<http://www.smokingmeatforums.com/t/82248/uds-build-1st-cook>.

<http://uglydrumsmoker.blogspot.com/>.

<http://uglydrumsmoker.blogspot.com/2008/09/major-parts-and-donor-kettle-grill.html>.

<http://uglydrumsmoker.blogspot.com/2008/09/fitting-and-using-lid-from-donor-kettle.html>.

<http://uglydrumsmoker.blogspot.com/2008/09/building-charcoalwood-basket.html>.

<http://uglydrumsmoker.blogspot.com/2008/09/layout-drilling-holes-etc.html>.

<http://uglydrumsmoker.blogspot.com/2008/09/air-intake-control-spring-loaded.html>.

<http://uglydrumsmoker.blogspot.com/2008/09/wheels-and-other-functional-bling.html>.

<http://uglydrumsmoker.blogspot.com/2008/09/design-functionality-and-how-it-will.html>.

<http://uglydrumsmoker.blogspot.com/2008/12/added-powered-rotisserie.html>.

<http://uglydrumsmoker.blogspot.com/2008/12/smoking-on-uds-experiences.html>.

<http://www.smokingmeatforums.com/t/94193/want-to-build-a-uds>.

[https://www.youtube.com/watch?time\\_continue=2&v=C4GkxpsKHf0](https://www.youtube.com/watch?time_continue=2&v=C4GkxpsKHf0).

<http://www.smokingmeatforums.com/t/56966/chicken-and-turkey-wings-in-the-barrel>.

<http://cowgirlscountry.blogspot.com/2008/05/my-uds-so-far.html>.

<http://www.smokingmeatforums.com/t/80385/hello-from-chico>.

<https://www.youtube.com/watch?v=NZvO5Ht-u4A>.

[http://www.meathenge.com/2004/11/mel\\_sons\\_muffle/](http://www.meathenge.com/2004/11/mel_sons_muffle/).

"UDS W/ Fire Basket & Ash Pan for: Malcom Reed" Killer Hogs BBQ.

[https://www.youtube.com/watch?v=k\\_pNTgfrhEI](https://www.youtube.com/watch?v=k_pNTgfrhEI).

<http://www.smokingmeatforums.com/t/57879/ugly-drum-smokers>.

<https://web.archive.org/web/20090218082824/http://cowgirlscountry.blogspot.com/2008/05/my-uds-so-far.html>.

<http://cowgirlscountry.blogspot.com/2008/05/my-uds-so-far.html>.

Drag's Welding UDS Photographs.

1992 UDS Photographs.

(56)

## References Cited

## OTHER PUBLICATIONS

- The Calaveras Enterprise, Aug. 16, 1996.  
 The Calaveras Enterprise, Aug. 27, 1996.  
 The Calaveras Enterprise, Aug. 30, 1994.  
<http://www.soffiawardy.com/eat-drink/eat-by-city/kauai-hawaii/kauais-best-roadside-barbeque-chicken-in-a-barrel-bbq/>.  
 “Firehouse Food; Cooking With San Francisco’s Firefighters” George Dolese & Steve Siegelman, 2003, Chronicle Books, San Francisco.  
 “Beef-in-a-barrel barbeque” Sunset Magazine p. 120, May 1984.  
<http://www.bbq-brethren.com/forum/showthread.php?t=86910>.  
<https://web.archive.org/web/20100709200903/www.d-meatbarrel.com/>.  
[https://web.archive.org/web/20100711070559/http://d-meatbarrel.com:80/index.php?option=com\\_content&view=article&id=61&Itemid=89](https://web.archive.org/web/20100711070559/http://d-meatbarrel.com:80/index.php?option=com_content&view=article&id=61&Itemid=89).  
<http://www.bbq-brethren.com/forum/showthread.php?t=23436>.  
 Picts! Our UDS Cooker (and How to Build One)—Part 1, Feb. 24, 2016, <http://www.thepickledpig.com/forums/showthread.php?t=832>.  
 55 gal drum smoker project, Sep. 13, 2008, <https://web.archive.org/web/20100716050201/http://www.bbqrevolution.com/55gal-londrumsmokerproject/>.  
 Thread: Drum smoker (california style), Oct. 20, 2009, [http://www.thejoint.com/forum/showthread.php?1466Drumsmoker\(californiastyle\)](http://www.thejoint.com/forum/showthread.php?1466Drumsmoker(californiastyle)).  
 Karoly, Steven, “Round the Chuckbox: Ugly drum smoker”, Mar. 29, 2016, <http://roundthechuckbox.blogspot.com/2011/05/uglydrumsmoker.html>.  
 Koroly, Steven, “Round the Chuckbox: Ugly drum smoker”, May 11, 2011, <http://roundthechuckbox.blogspot.com/2011/05/uglydrumsmoker.html>.  
 The Smoke Ring, “Build Your Own Upright Drum Smoker”, Jun. 27, 2009, <http://www.thesmokingring.com/forum/viewtopic.php?p=275978&sid=09852b63ffaf40c19f787f4c75effd9f>.  
 The BBQ Brethren, From the Backyard to the American Royal, Mar. 29, 2016, <http://www.bbqbrethren.com/forum/showthread.php?t=41237&goto=nextnewest>.  
 The Pit Barrel Cooker Package, Jun. 29, 2016, <http://www.pitbarrelcooker.com/product/thepitbarrelcookerpackage/>.  
 US Military, Police or Fire Pit Barrel Cooker Package, Jun. 29, 2016, <http://www.pitbarrelcooker.com/product/usmilitarypitbarrelcookerpackage/>.  
 Karoly, Steven, “Round the Chuckbox: Ugly Drum Smoker”, Oct. 20, 2009, <http://roundthechuckbox.blogspot.com/2009/10/uglydrumsmoker.html>.  
 Collins, Patrick, “Chicken Barrel Cooker” (YouTube 2010), <https://www.youtube.com/watch?v=oCFTF5T-cp4>.  
 Pierce, Mike, “Kauai’s Barbecue: Chicken in a Barrel BBQ” (2010), <http://www.soffiawardy.com/eatdrink/eatbycity/kauaihawaii/kauaisbestroadsidebarbequechickeninabarrelbbq/>.  
 Reed, Malcom, “UDS Smoker List”, Apr. 12, 2011, [www.howtobbbright.com](http://www.howtobbbright.com).  
 Reed, Malcom, “Build your own UDS”, Apr. 12, 2011, <http://www.smokingmeatforums.com/t/65394/newbarrelinabarreluds>.  
 Smoking Meat Forum, “New Barrel in a Barrel UDS”, Apr. 27, 2008, <http://www.smokingmeatforums.com/t/65394/newbarrelinabarreluds>.  
 The Pickled Pigs UDS Build, 2009, [www.thepickledpig.com](http://www.thepickledpig.com).  
 Whistlestop: Chicken in a Barrel, (YouTube Mar. 16, 2011), <https://www.youtube.com/watch?v=6VBk2DemD9Y>.  
 Hawaii Life: Chicken in a Barrel (YouTube Nov. 13, 2014), <https://www.youtube.com/watch?v=3GyuTOctoUI>.  
 Barrel Smoker Chick (YouTube May 31, 2010), <https://www.youtube.com/watch?v=-eBILaFTqIM>.  
 “Ultimate Tri-Tip Cooker,” SmokingMeatForums.com, Jun. 6, 2010, <http://www.smokingmeatforums.com/t/95215/ultimatetritipcooker>.  
 “Beef in a Barrel Barbeque,” Sunset Publish. Corp., May 1984, <https://www.questia.com/read/1G13245623/beefinabarrelbarbeque>.  
 “Barbecuing cihcken in a barrel,” Sunset Publish. Corp., May 1984, <https://www.thefreelibrary.com/Barbecuing+chicken+in+a+barrel.a03245653>.  
 Degraff, “A Little Bit About Us & A Big Thank You,” D-Meatbarrel, Jul. 18, 2015, <http://www.d-meatbarrel.com/uncategorized/dmb-a-little-bit-about-us-a-big-thank-you/>.  
 Pierce, Mike, “Chicken in a Barrel BBQ—Best BBQ—Hawaii,” 2015, <https://www.youtube.com/watch?v=mVtw4XFmudQ>.  
 “Barbecue apparatus for cooking food in the heat given out by a solid fuel raised to incandescence”, 1990, Abstract Describing FR2639813.

\* cited by examiner

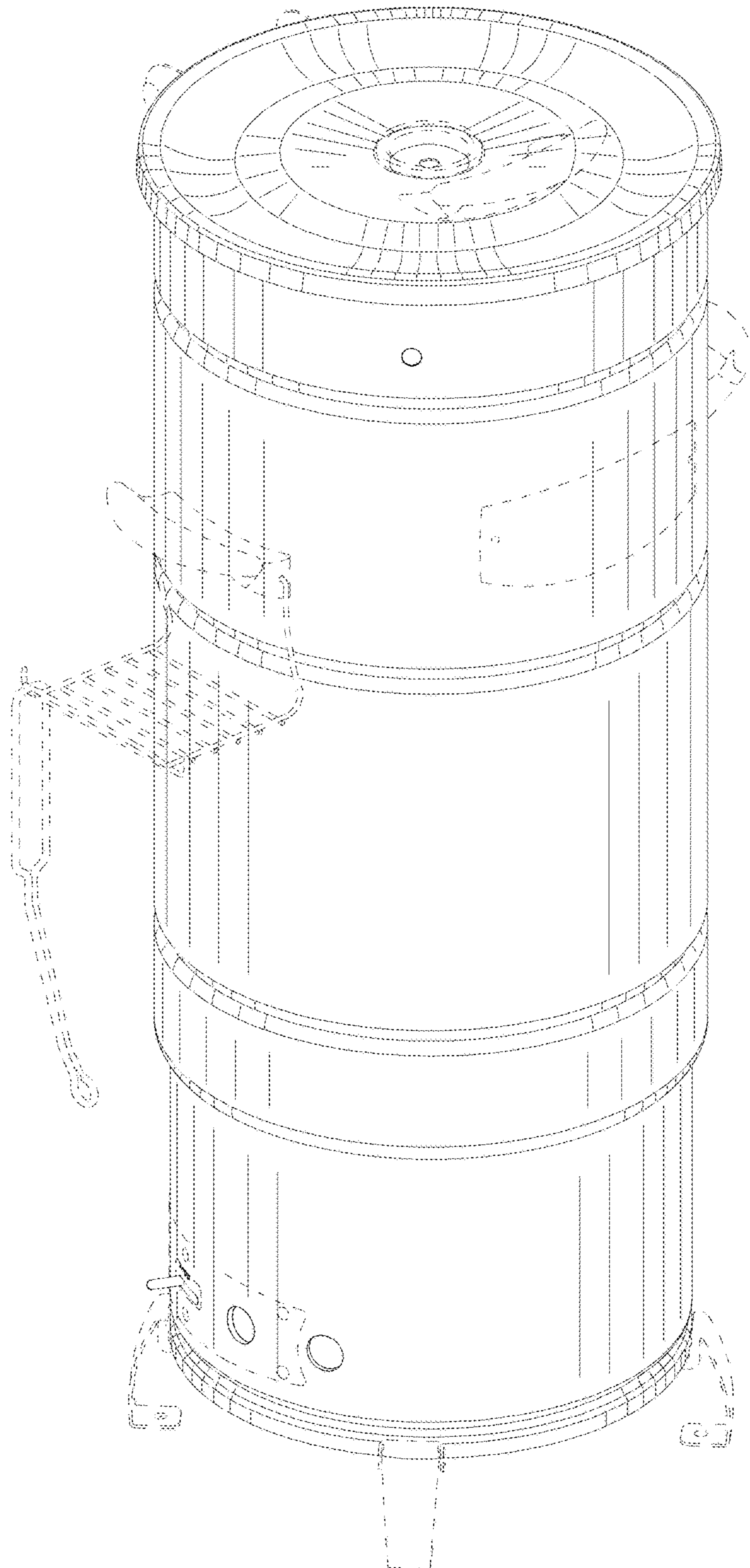


FIG. 1

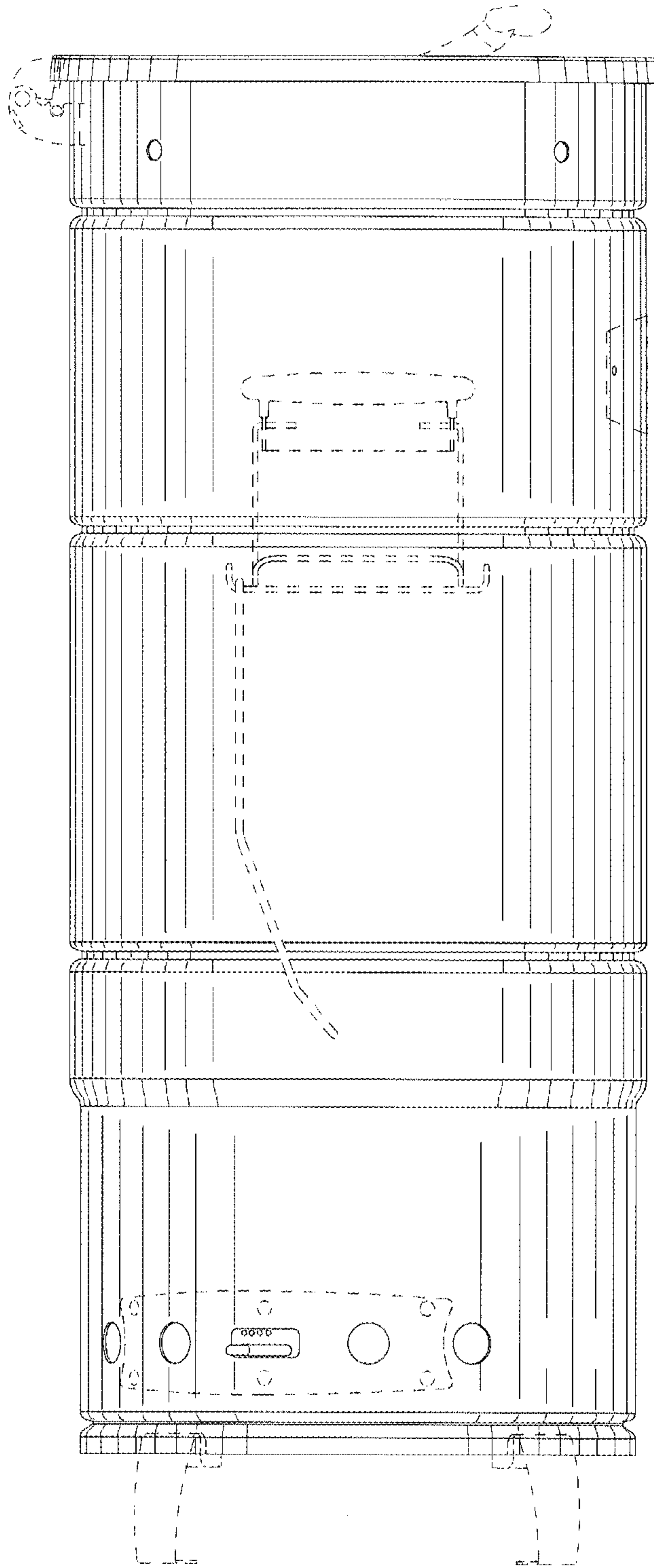


FIG. 2

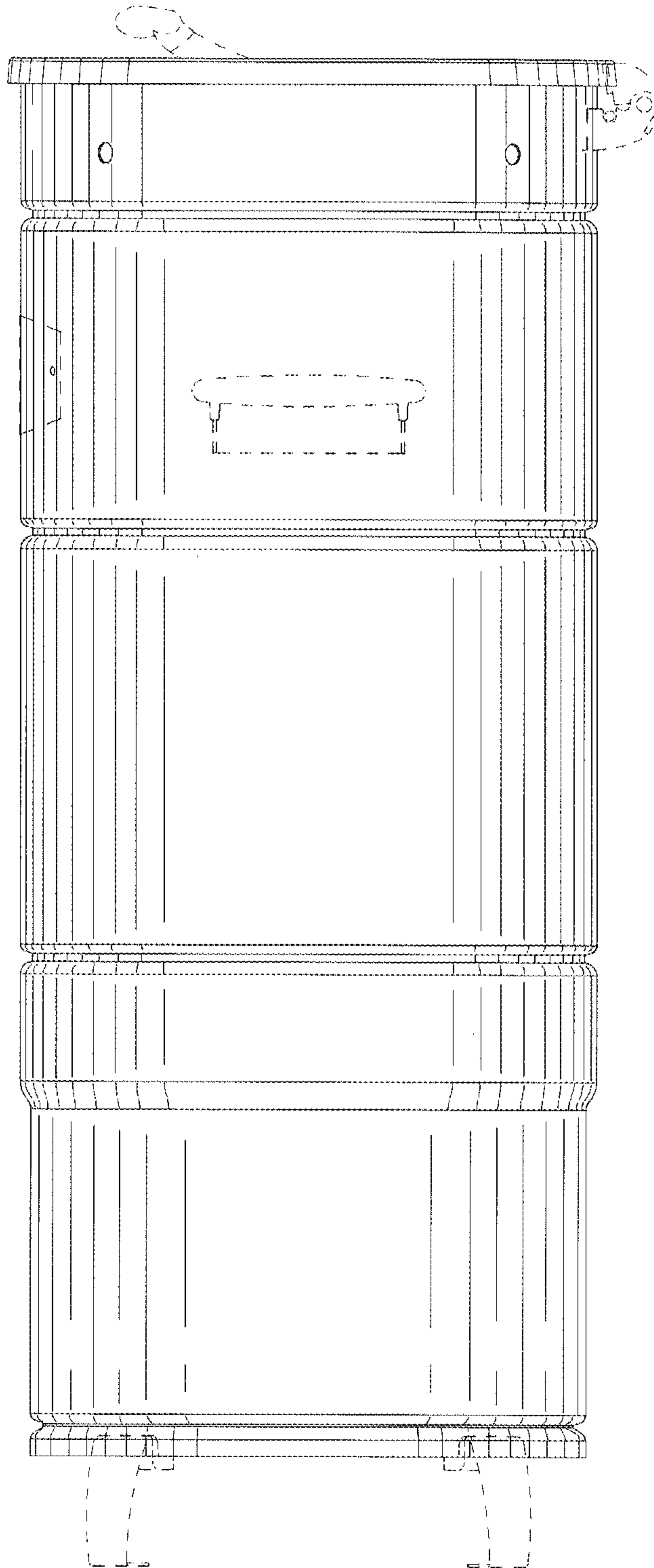


FIG. 3

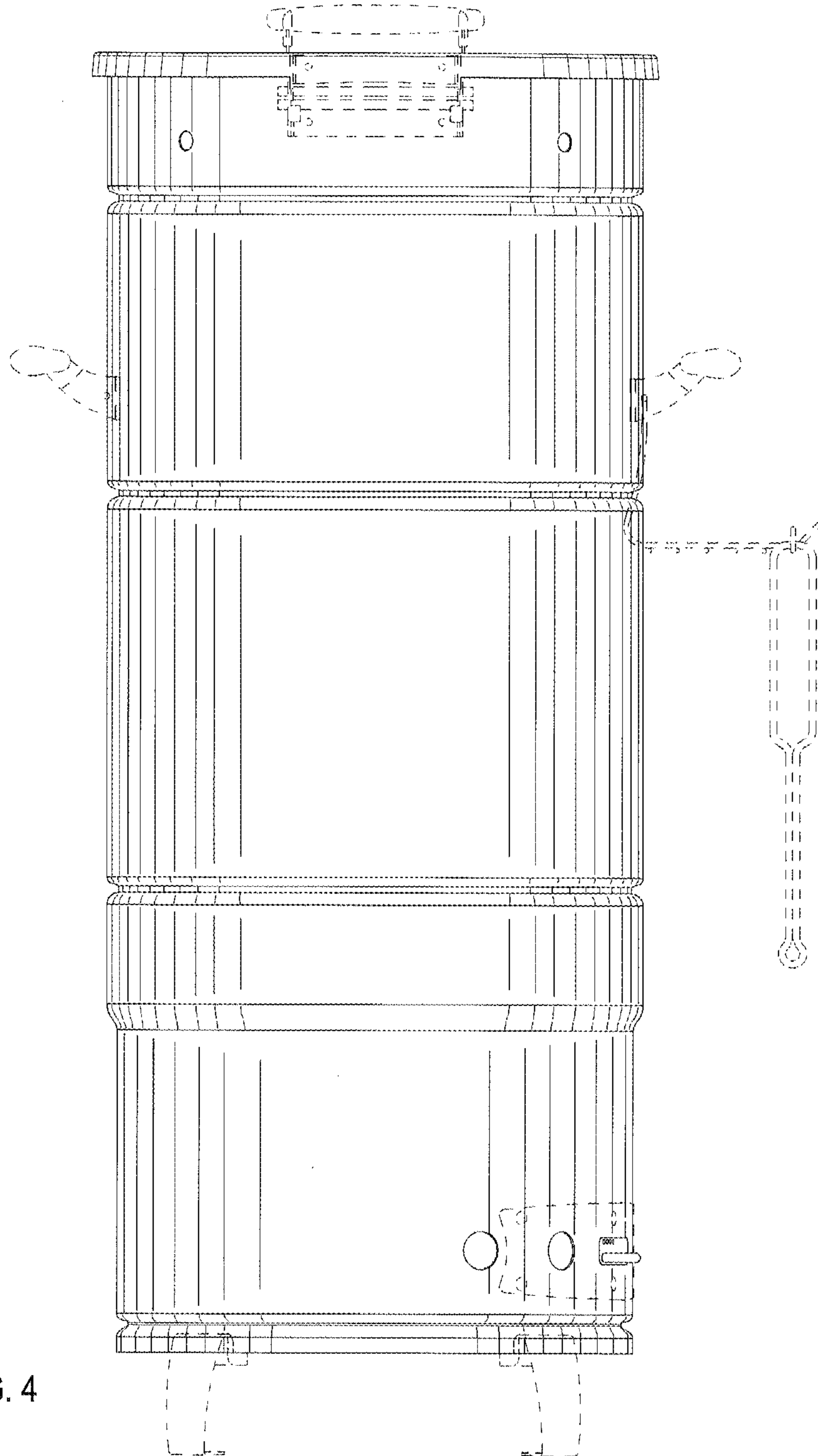


FIG. 4



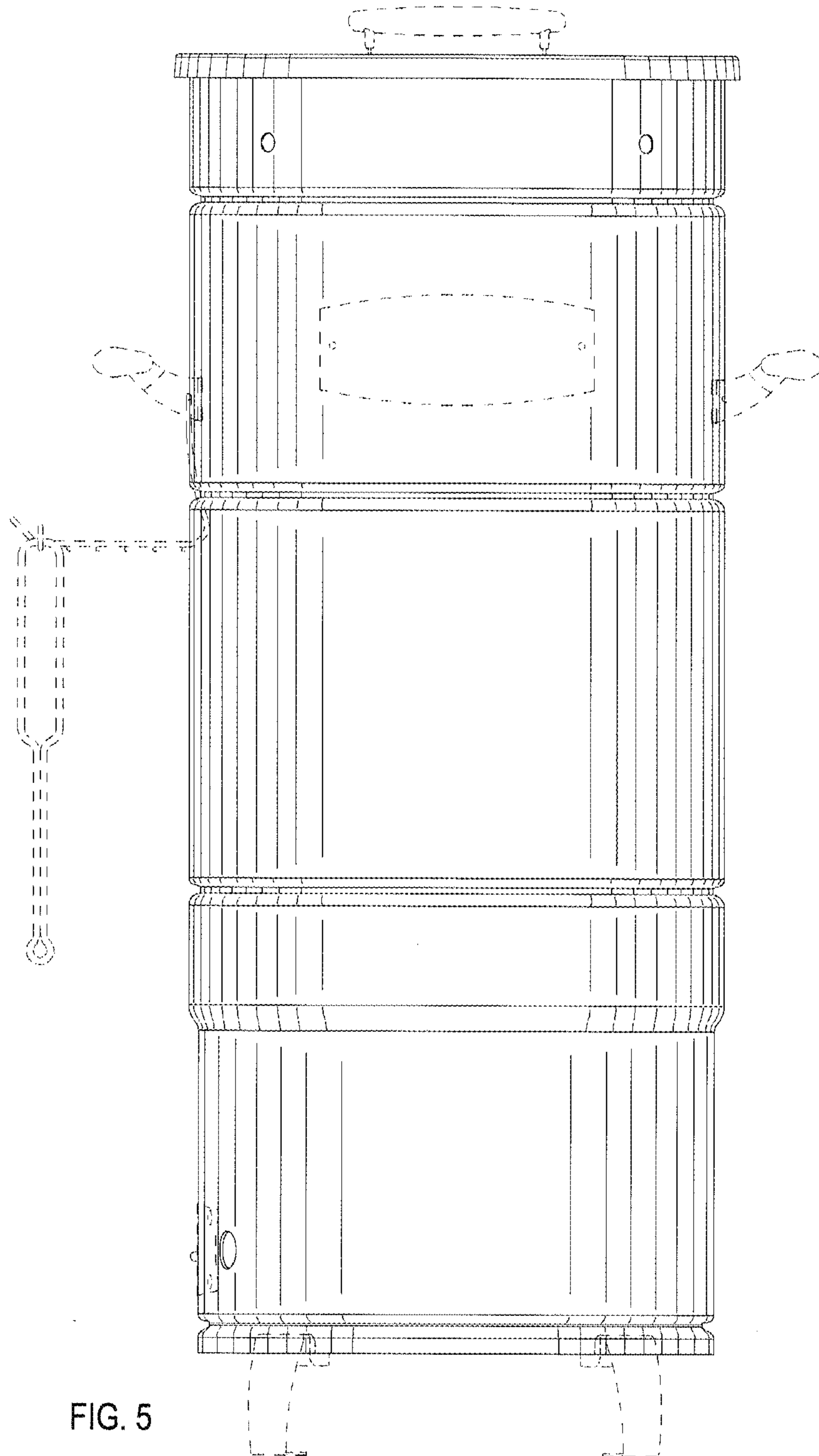


FIG. 5

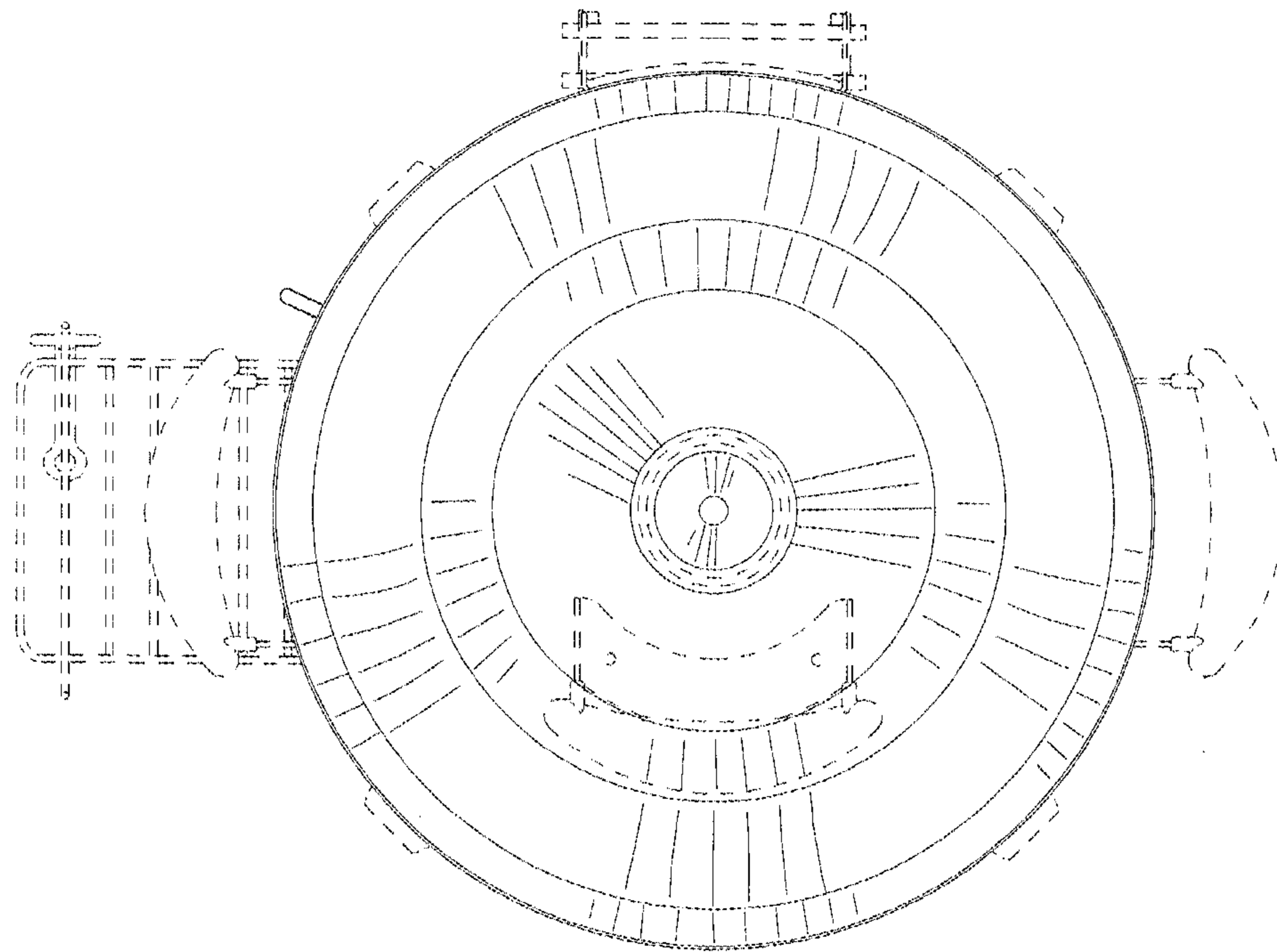


FIG. 6

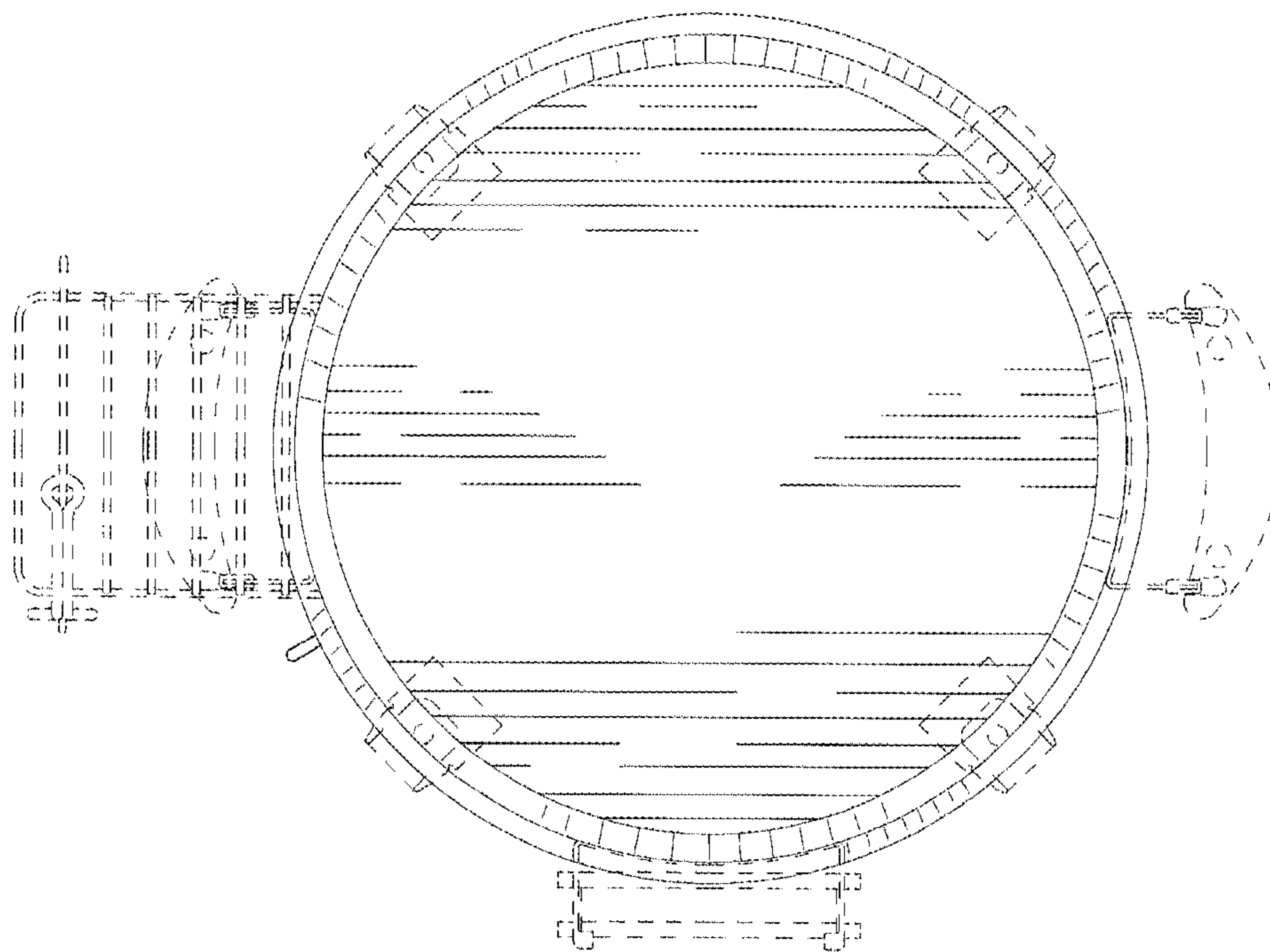


FIG. 7