



US00D813588S

(12) **United States Design Patent** (10) **Patent No.:** **US D813,588 S**  
**McConnell et al.** (45) **Date of Patent:** **\*\* Mar. 27, 2018**

(54) **CARAFE**

(71) Applicant: **WHIRLPOOL CORPORATION**,  
Benton Harbor, MI (US)

(72) Inventors: **John W. McConnell**, St. Joseph, MI  
(US); **Ben C. Shao**, Clarendon Hills, IL  
(US); **Zhaoyi Yin**, Benton Harbor, MI  
(US)

(73) Assignee: **Whirlpool Corporation**, Benton  
Harbor, MI (US)

(\*\*) Term: **15 Years**

(21) Appl. No.: **29/597,314**

(22) Filed: **Mar. 16, 2017**

(51) **LOC (11) Cl.** ..... **07-01**

(52) **U.S. Cl.**  
USPC ..... **D7/318**

(58) **Field of Classification Search**  
USPC ..... D7/300, 310-312, 316-318, 598, 600,  
D7/602, 619.1, 622; D9/516, 528, 537,  
D9/738, 739  
CPC ..... A47G 19/14; A47G 19/22; A47J 31/00  
See application file for complete search history.

(56) **References Cited**

U.S. PATENT DOCUMENTS

D312,745 S \* 12/1990 Daenen ..... D7/317  
D343,546 S \* 1/1994 Zimmerman ..... D7/316  
D354,879 S 1/1995 Ullmann  
5,968,619 A 10/1999 Carmen et al.

D433,866 S \* 11/2000 Cautereels ..... D7/316  
6,561,390 B2 5/2003 Boyte et al.  
D668,095 S 10/2012 Green et al.  
D692,714 S \* 11/2013 Ruotsalainen ..... D7/318  
D702,487 S \* 4/2014 Gillette ..... D7/376  
D722,464 S \* 2/2015 Williams ..... D7/316  
D729,003 S 5/2015 Manly et al.  
D729,566 S \* 5/2015 Morgan ..... D7/317

\* cited by examiner

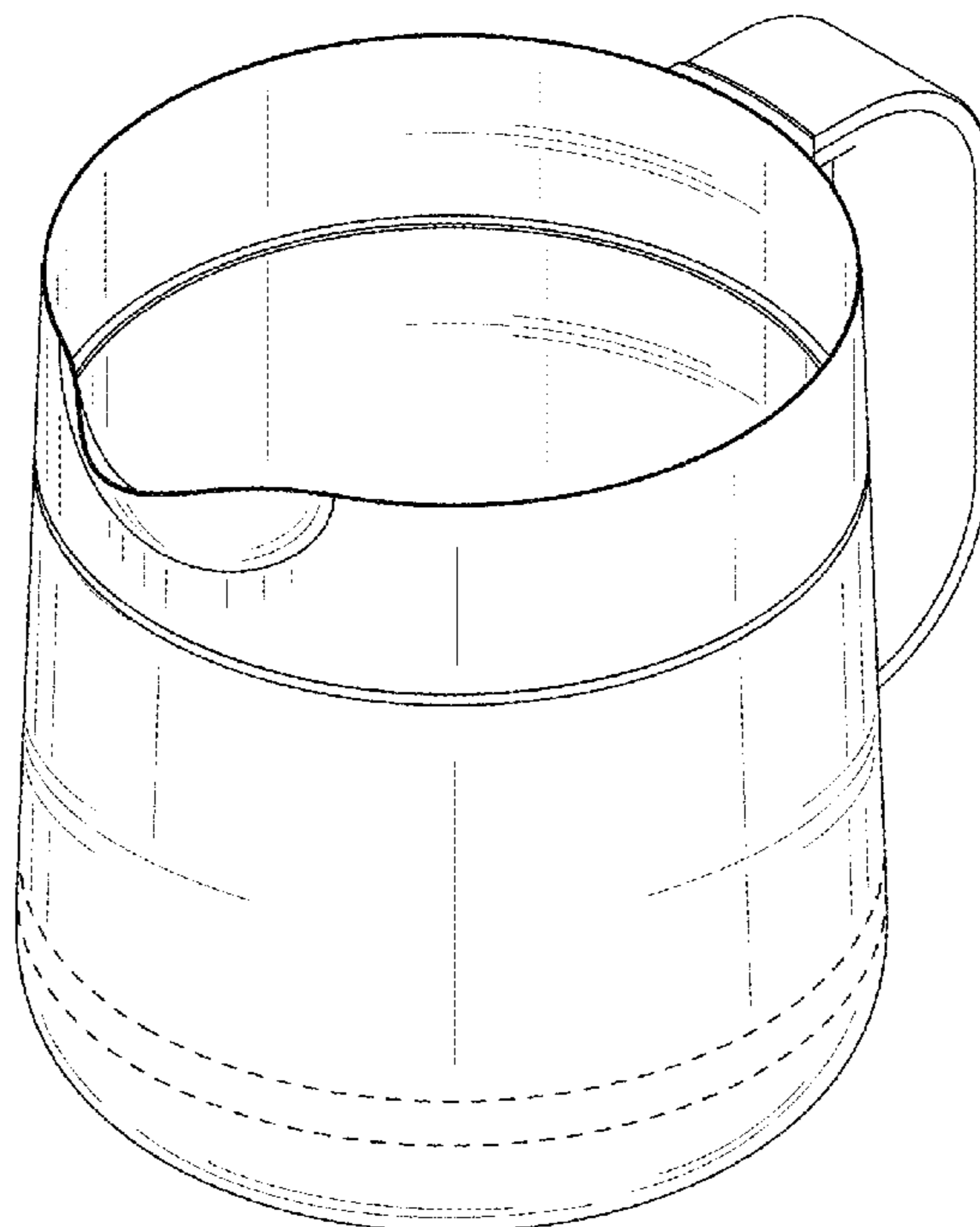
*Primary Examiner* — Daniel Bui  
*Assistant Examiner* — Andrew Kerr  
(74) *Attorney, Agent, or Firm* — Price Heneveld LLP

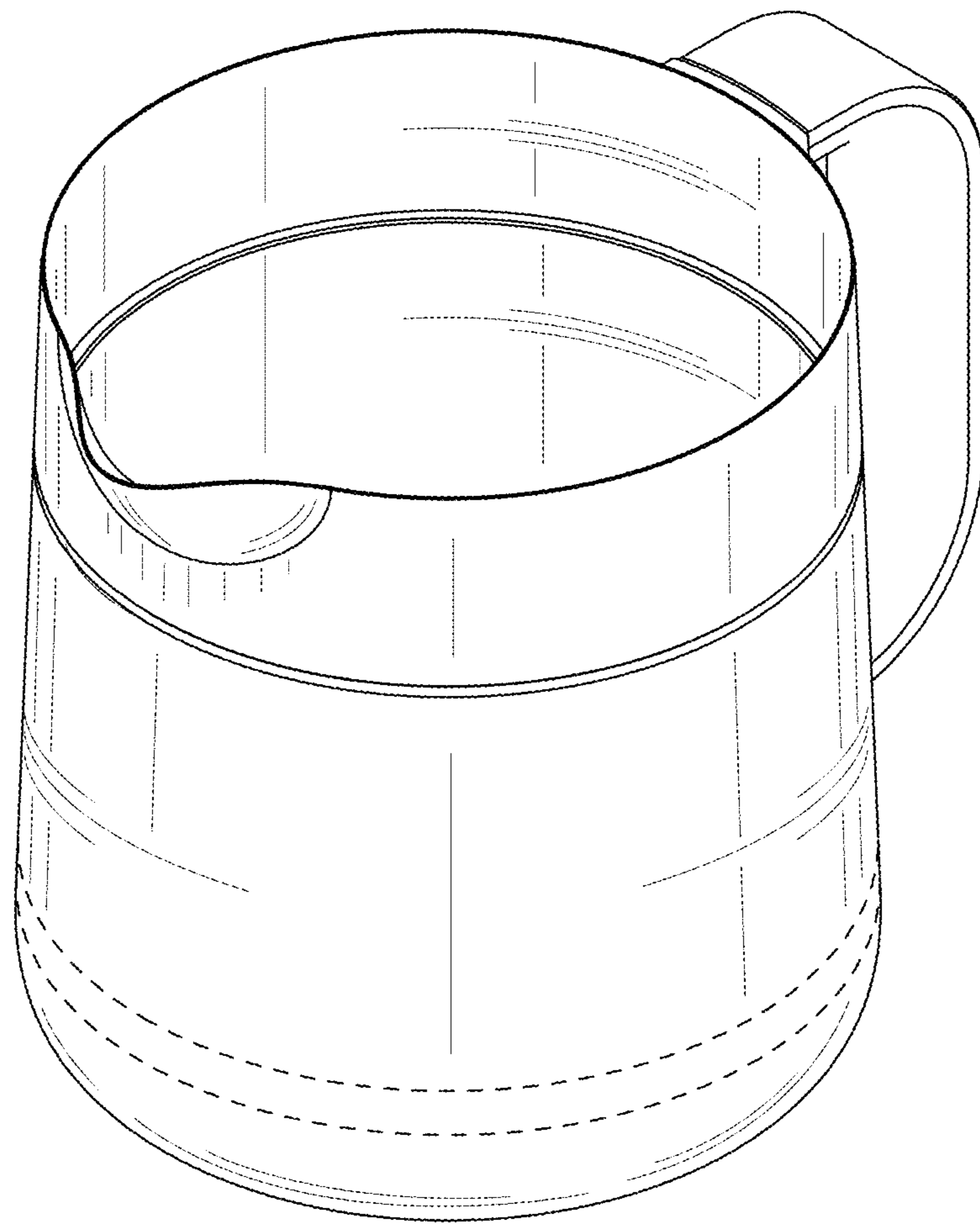
(57) **CLAIM**  
We claim the ornamental design for a carafe, as shown and described.

**DESCRIPTION**

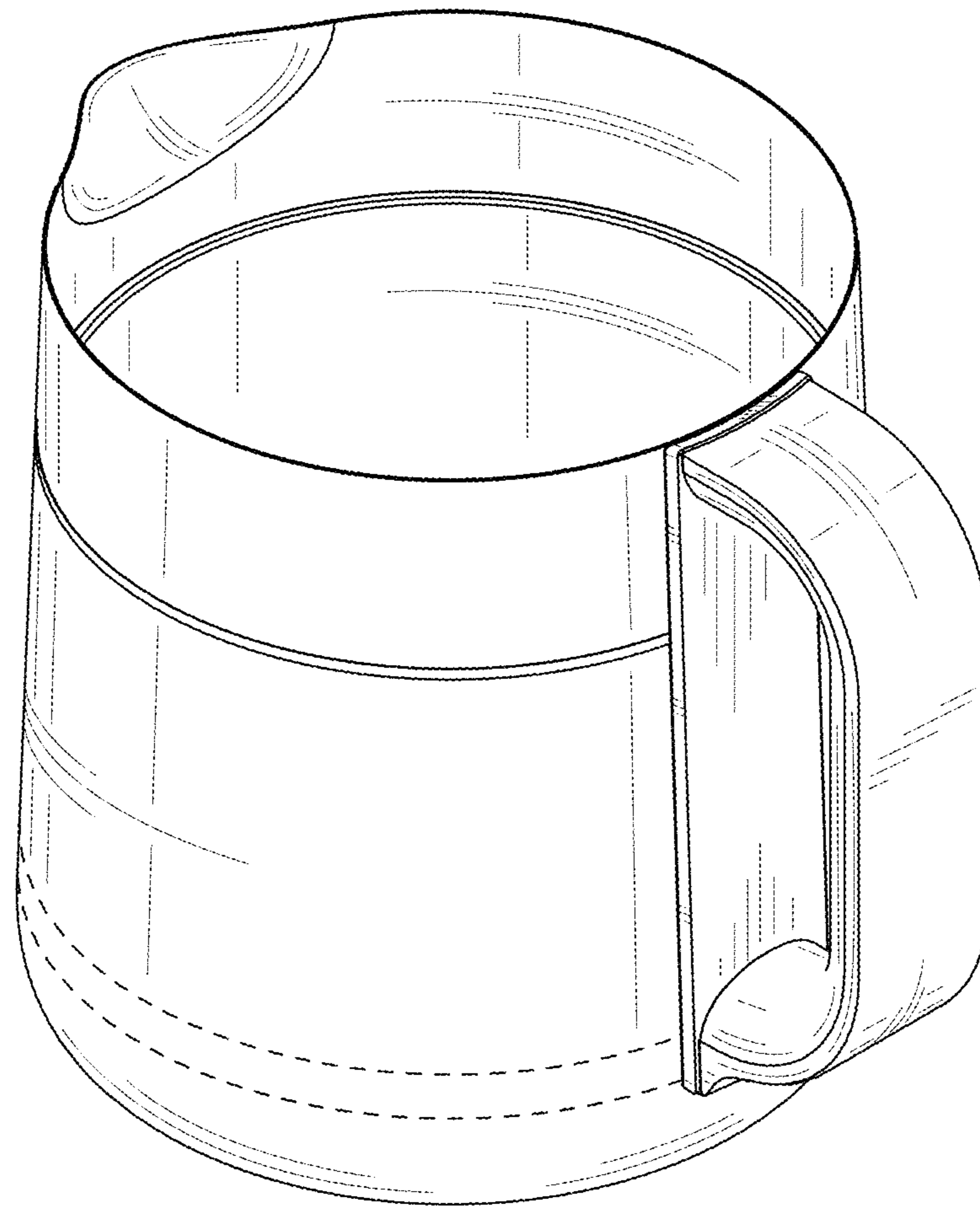
FIG. 1 is a front perspective view of a carafe, showing our new design;  
FIG. 2 is a rear perspective view of the carafe of FIG. 1;  
FIG. 3 is a front elevational view of the carafe of FIG. 1;  
FIG. 4 is a rear elevational view of the carafe of FIG. 1;  
FIG. 5 is a first side elevational view of the carafe of FIG. 1;  
FIG. 6 is a second side elevational view of the carafe of FIG. 1;  
FIG. 7 is a top plan view of the carafe of FIG. 1; and,  
FIG. 8 is a bottom plan view of the carafe of FIG. 1.  
The broken lines in the drawing views represent unclaimed portions of a carafe, which are included for the purpose of illustrating unclaimed environment only, and forms no part of the claimed design.

**1 Claim, 8 Drawing Sheets**

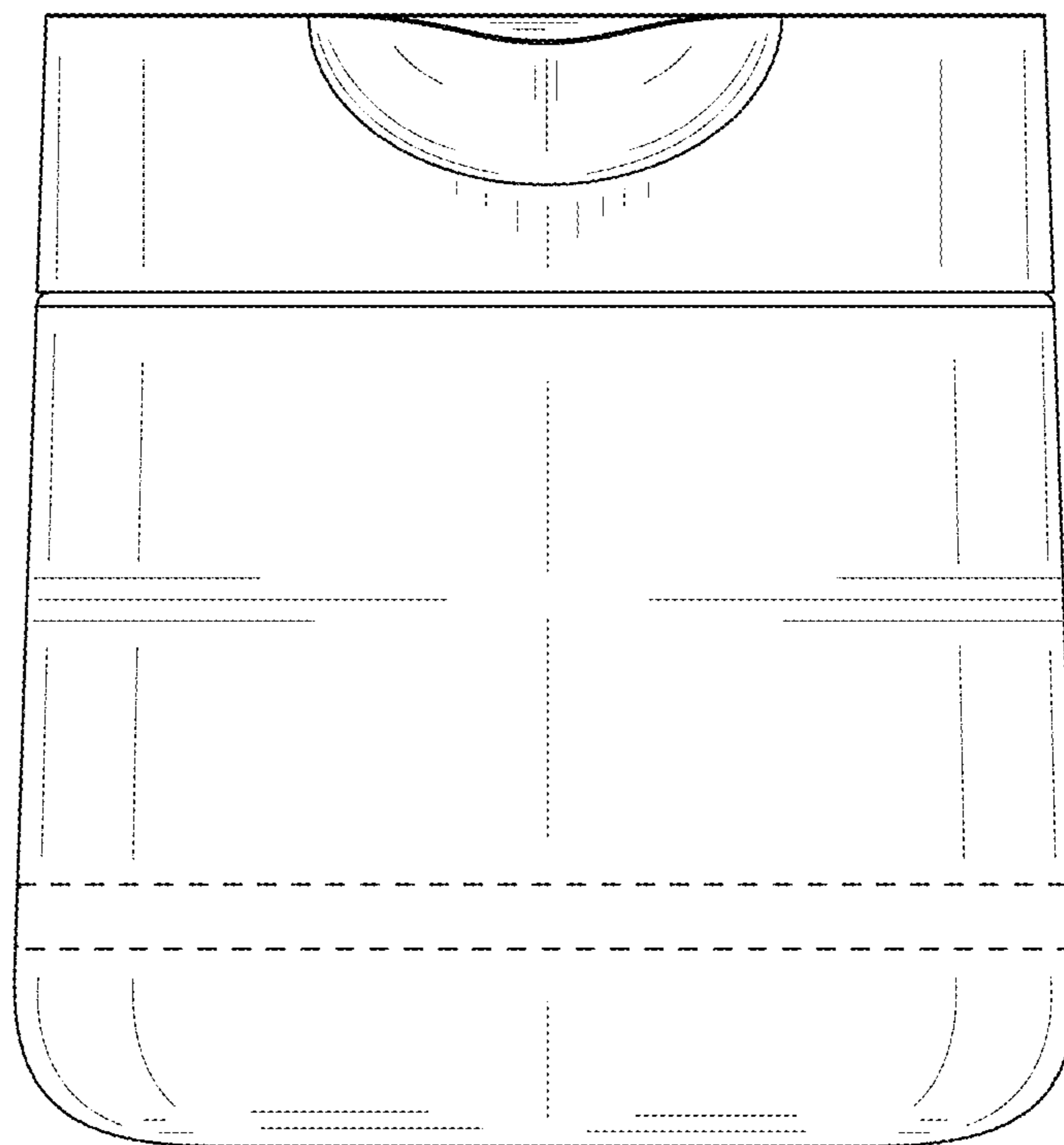




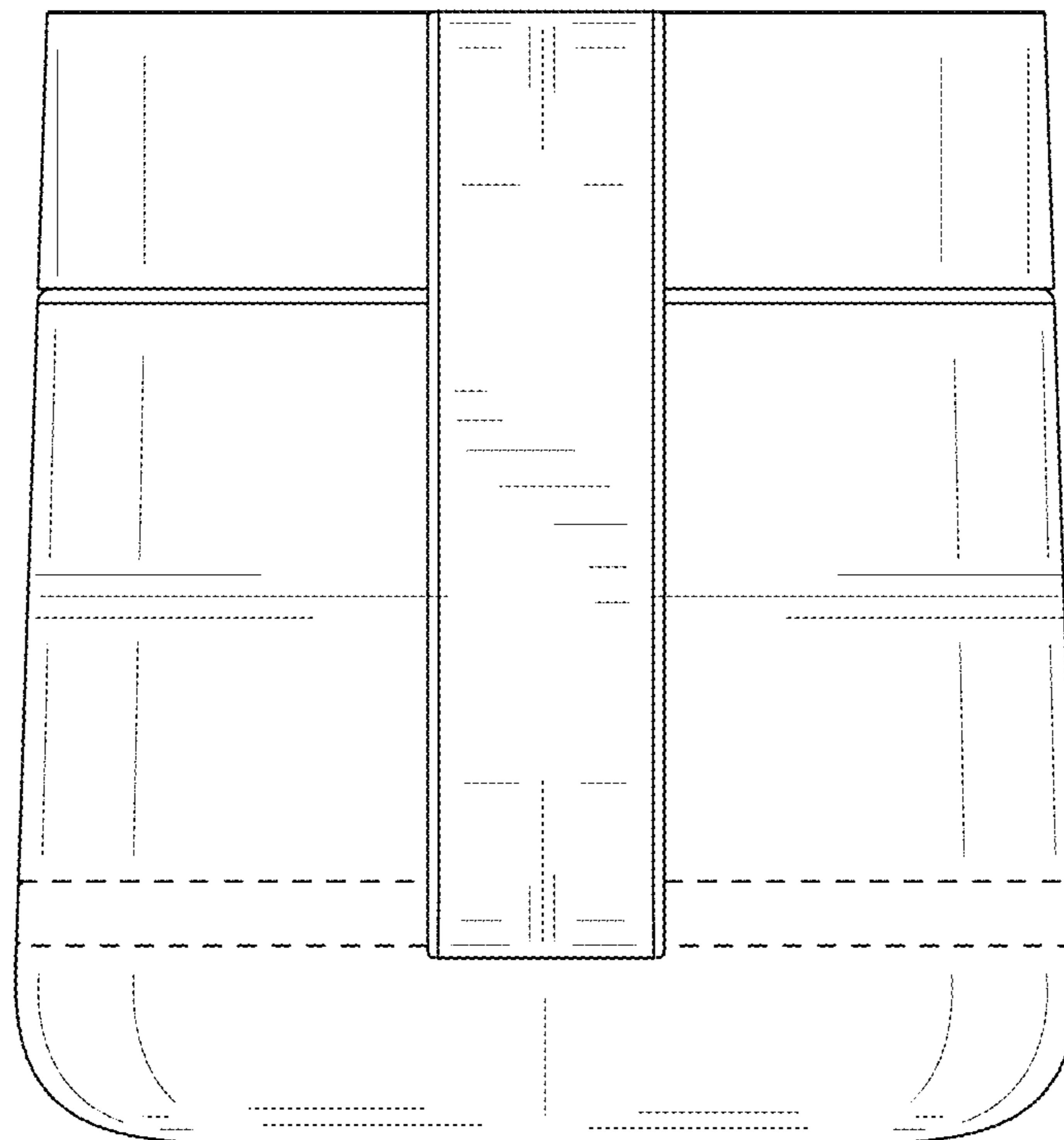
**FIG. 1**



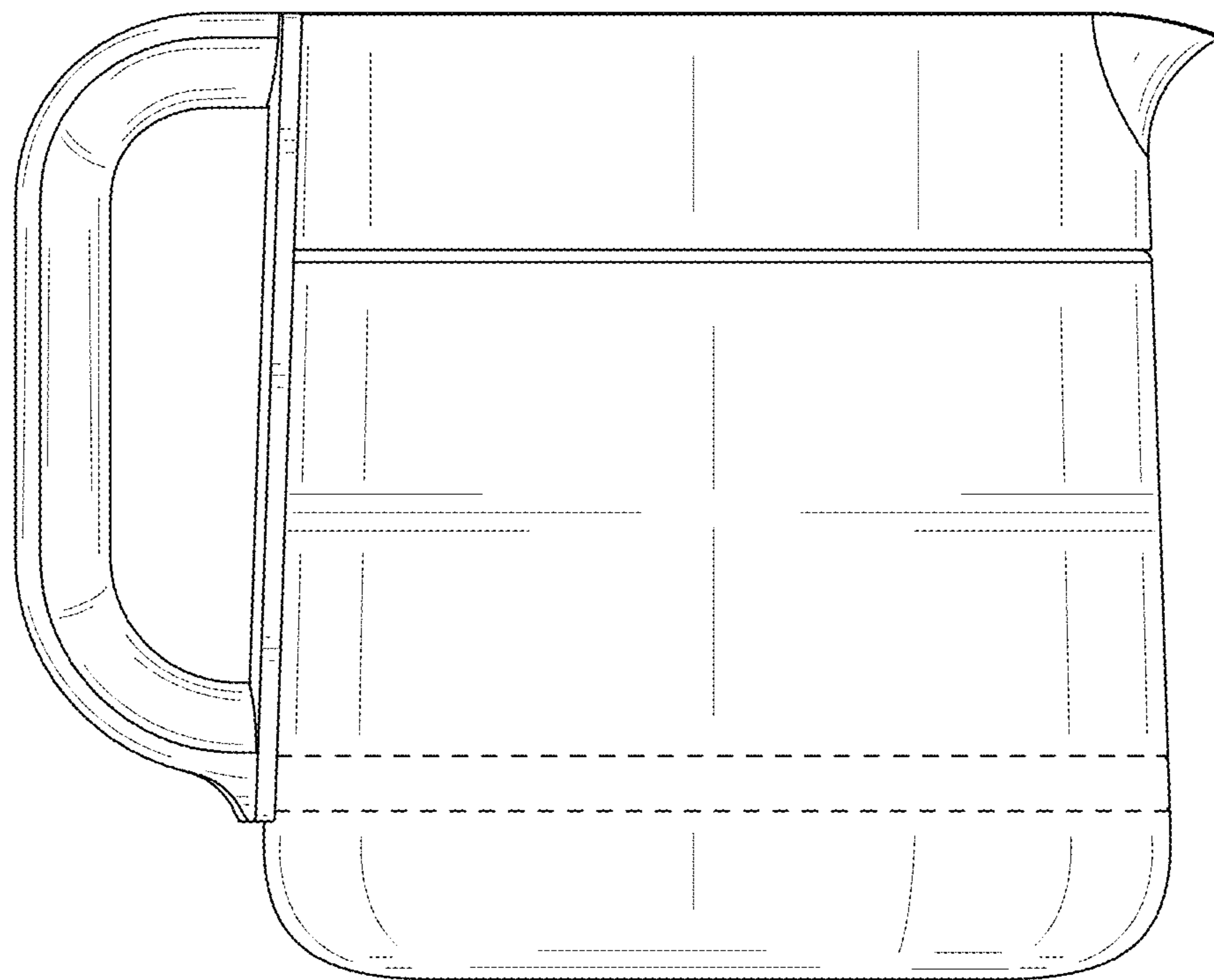
**FIG. 2**



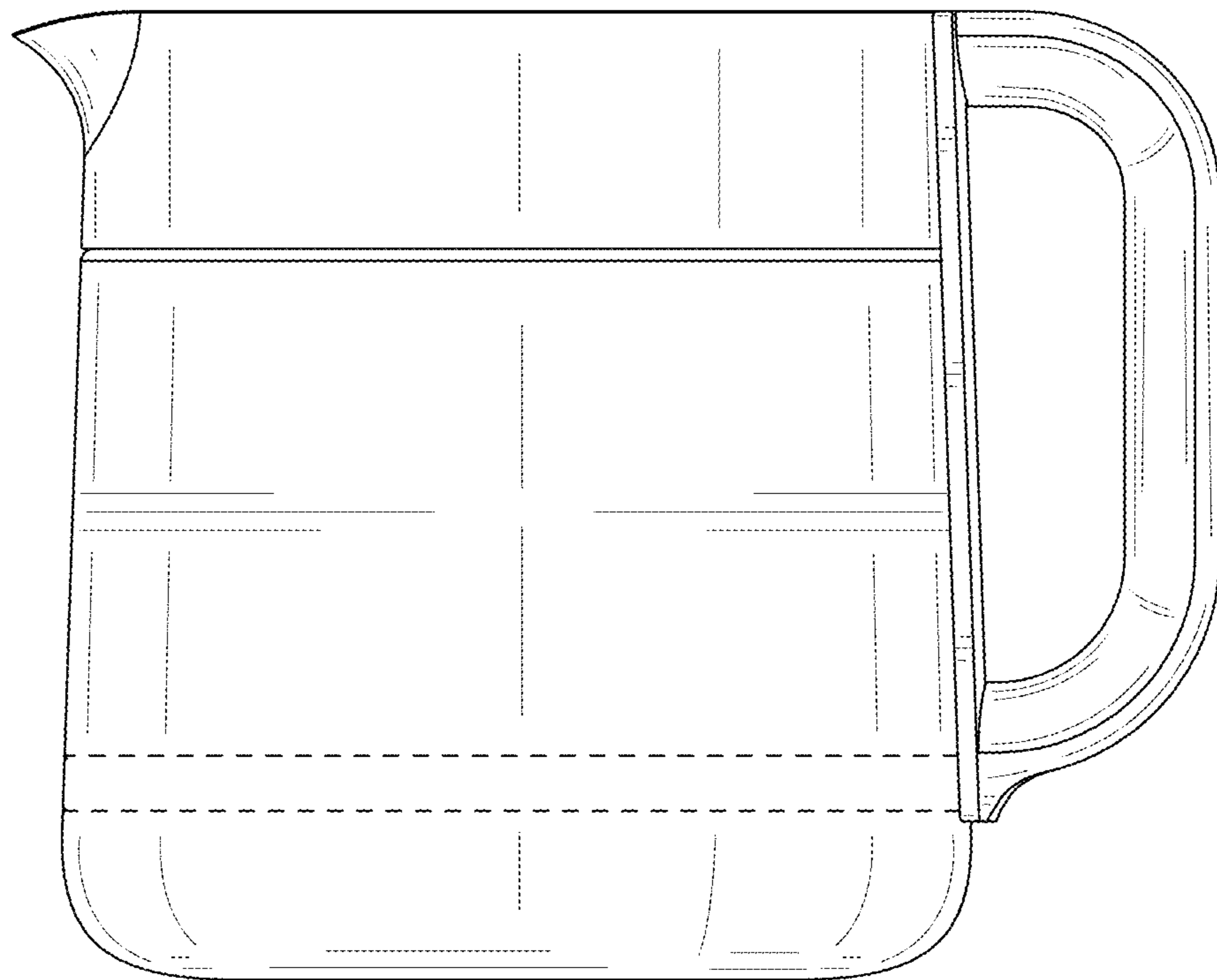
**FIG. 3**



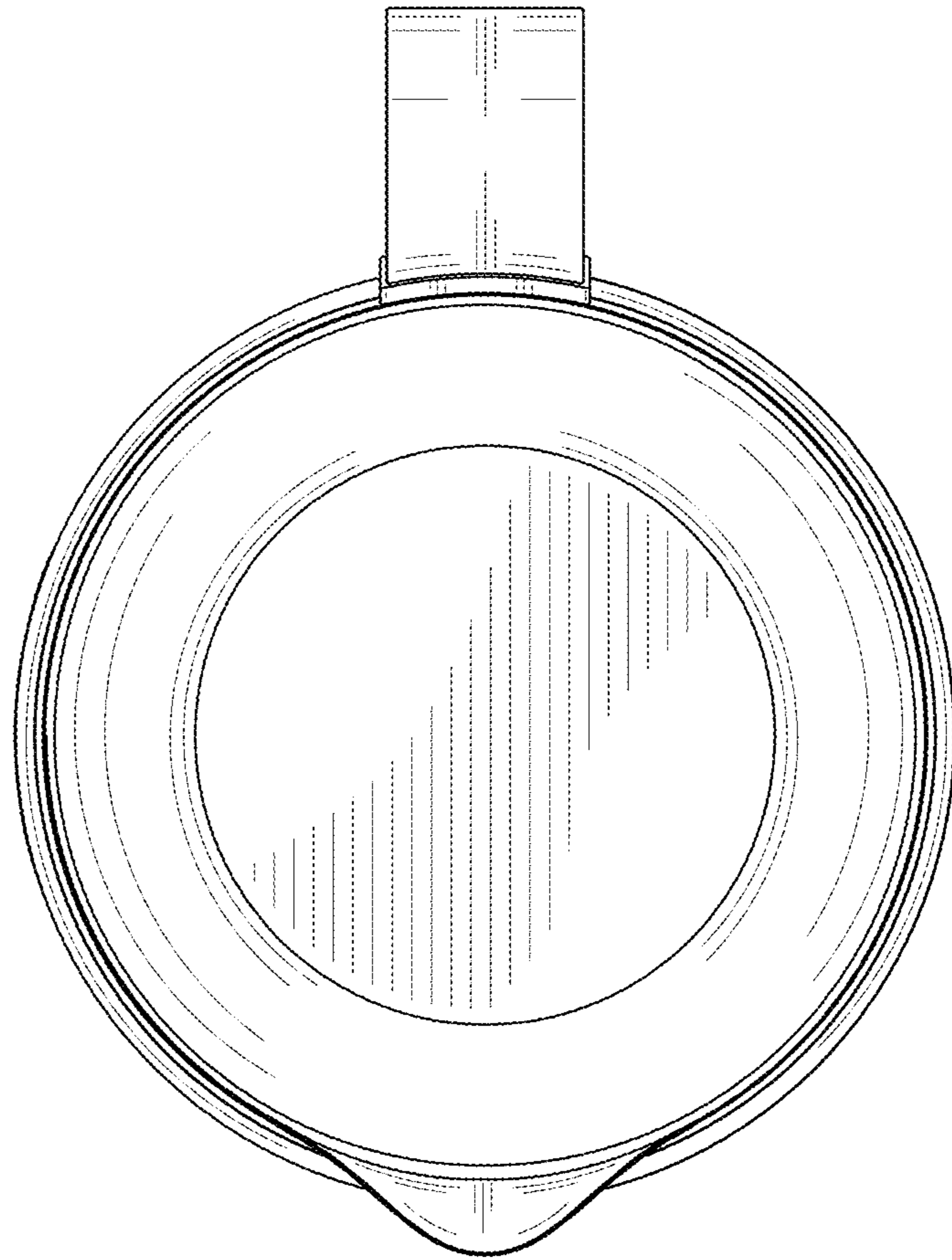
**FIG. 4**



**FIG. 5**

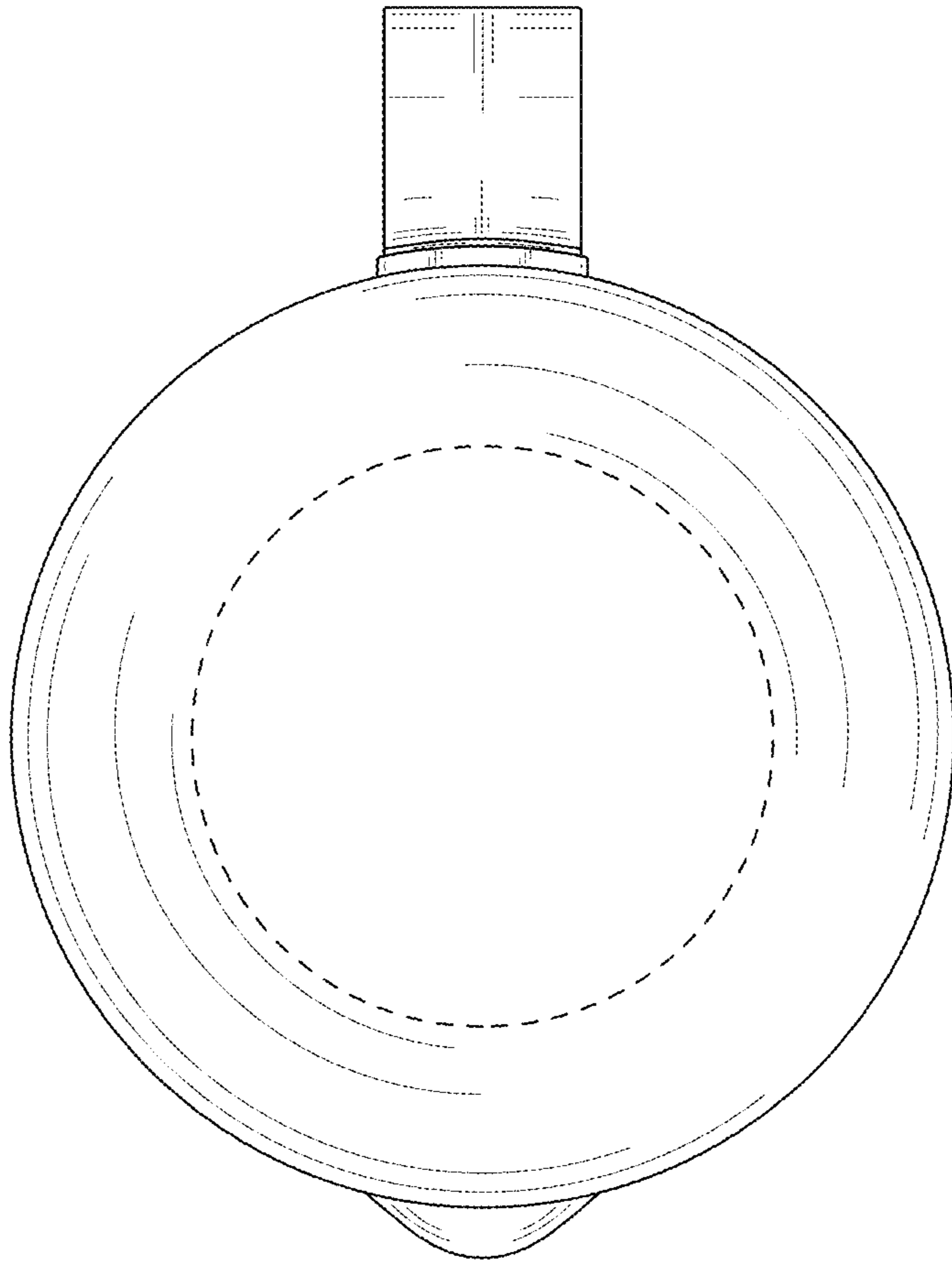


**FIG. 6**



**FIG. 7**





**FIG. 8**