



US00D813587S

(12) **United States Design Patent**  
**Rose et al.**

(10) **Patent No.:** **US D813,587 S**  
(45) **Date of Patent:** **\*\* Mar. 27, 2018**

- (54) **COFFEE MAKER**
- (71) Applicant: **Williams-Sonoma, Inc.**, San Francisco, CA (US)
- (72) Inventors: **Phillip John Patrick Rose**, San Francisco, CA (US); **Mihai Hoge**, Atlanta, GA (US)
- (73) Assignee: **Williams-Sonoma, Inc.**, San Francisco, CA (US)

D607,683 S *	1/2010	Choi	.....	D7/306
D623,463 S *	9/2010	Struzka	.....	D7/309
D672,188 S *	12/2012	Luippold	.....	D7/306
D675,472 S *	2/2013	Strayle	.....	D7/309
D718,564 S *	12/2014	Ragot	.....	D7/309
D724,884 S *	3/2015	Struzka	.....	D7/306
D738,153 S *	9/2015	Brook	.....	D7/309
D742,170 S *	11/2015	Kunz	.....	D7/309
D769,661 S *	10/2016	Palermo	.....	D7/306
D790,899 S *	7/2017	Trazzi	.....	D7/306
D802,992 S *	11/2017	Wilson	.....	D7/376

\* cited by examiner

(\*\*) Term: **15 Years**

*Primary Examiner* — Marianne Pandozzi  
(74) *Attorney, Agent, or Firm* — Cook Alex Ltd.; R. Blake Johnston

(21) Appl. No.: **29/572,058**

(22) Filed: **Jul. 25, 2016**

(51) **LOC (11) Cl.** ..... **07-01**

(52) **U.S. Cl.**  
USPC ..... **D7/309; D7/311**

(58) **Field of Classification Search**  
USPC ..... D7/306–311, 305, 300, 313, 399, 398, D7/397; 99/279, 284, 290, 280, 299, 99/307, 305, 295, 308, 309, 323.1, 395, 99/300; 222/23, 129.1; 62/395; D20/1; D23/207, 209; D15/89  
CPC ..... A47J 31/44; A47J 31/00; B67D 1/0041; B67D 3/00

See application file for complete search history.

(56) **References Cited**

**U.S. PATENT DOCUMENTS**

D400,754 S *	11/1998	Alferink	.....	D7/309
D499,599 S *	12/2004	Morrison	.....	D7/309

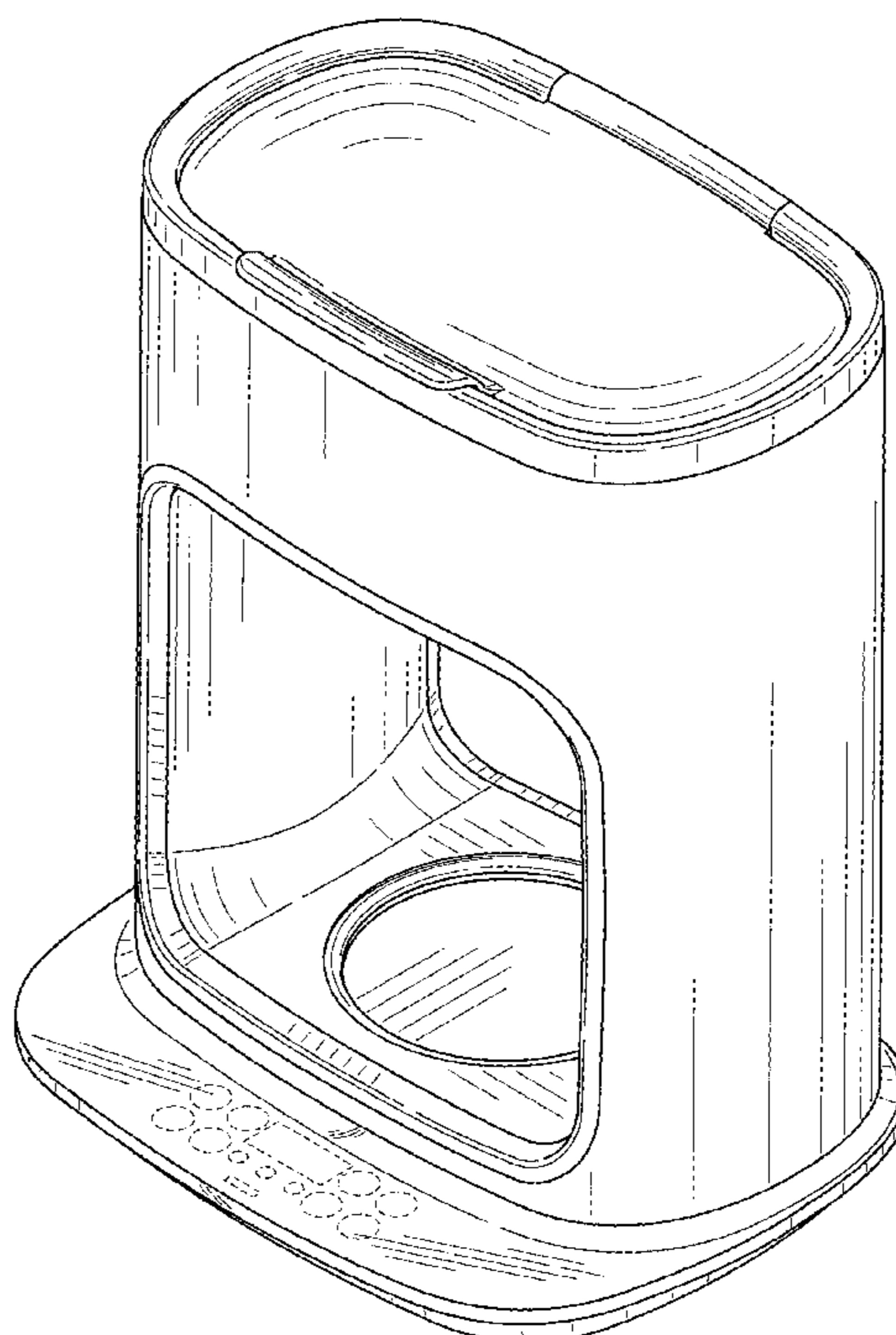
(57) **CLAIM**

The ornamental design for a coffee maker, as shown and described.

**DESCRIPTION**

FIG. 1 is a perspective view of the coffee maker; FIG. 2 is a front elevational view of the coffee maker; FIG. 3 is a rear elevational view of the coffee maker; FIG. 4 is a left side elevational view of the coffee maker, the opposite side of which is a mirror image; FIG. 5 is a top plan view of the coffee maker; and, FIG. 6 is a bottom plan view of the coffee maker. The broken lines in the drawing depict portions of the coffee maker that form no part of the claimed design.

**1 Claim, 6 Drawing Sheets**



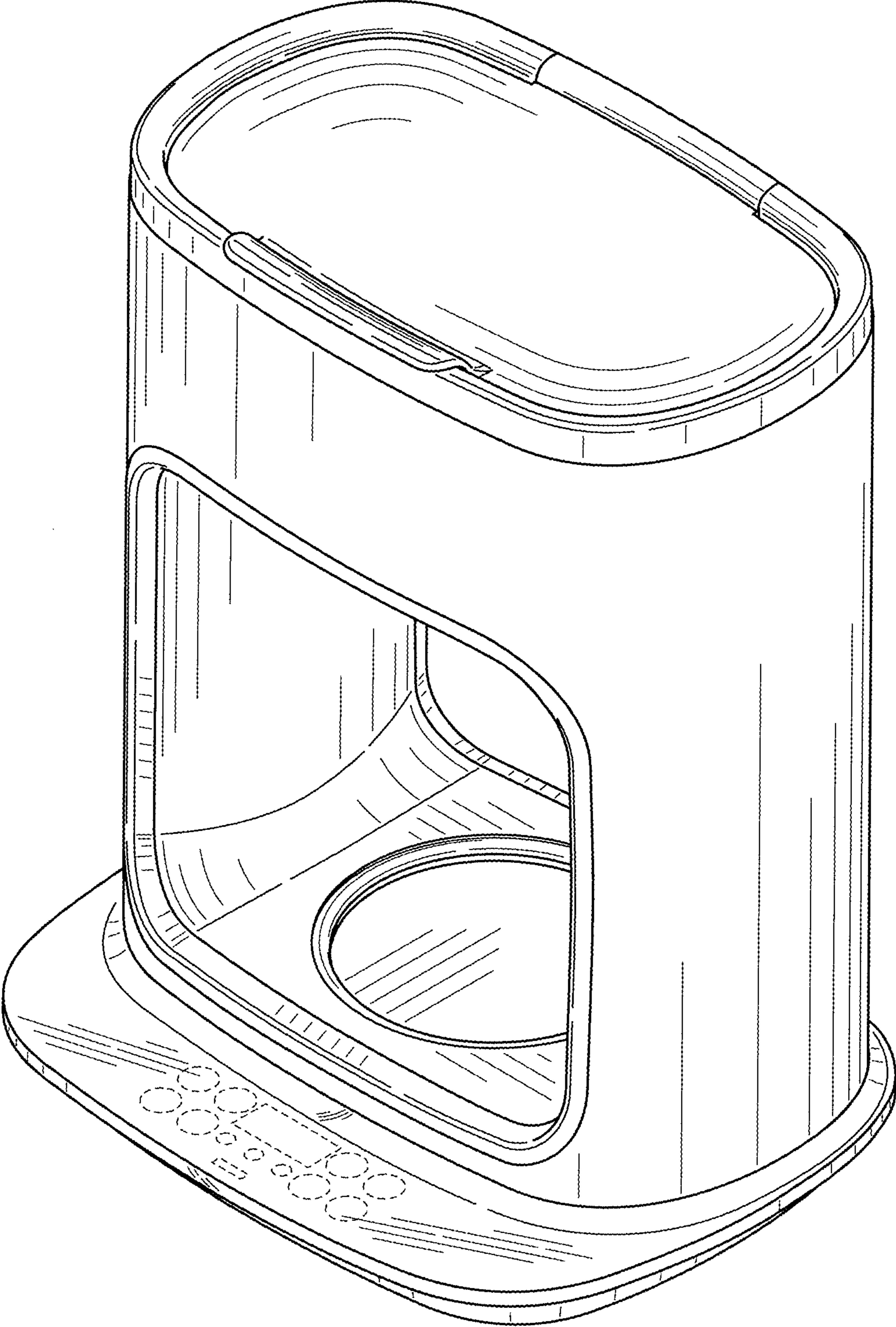


FIG. 1

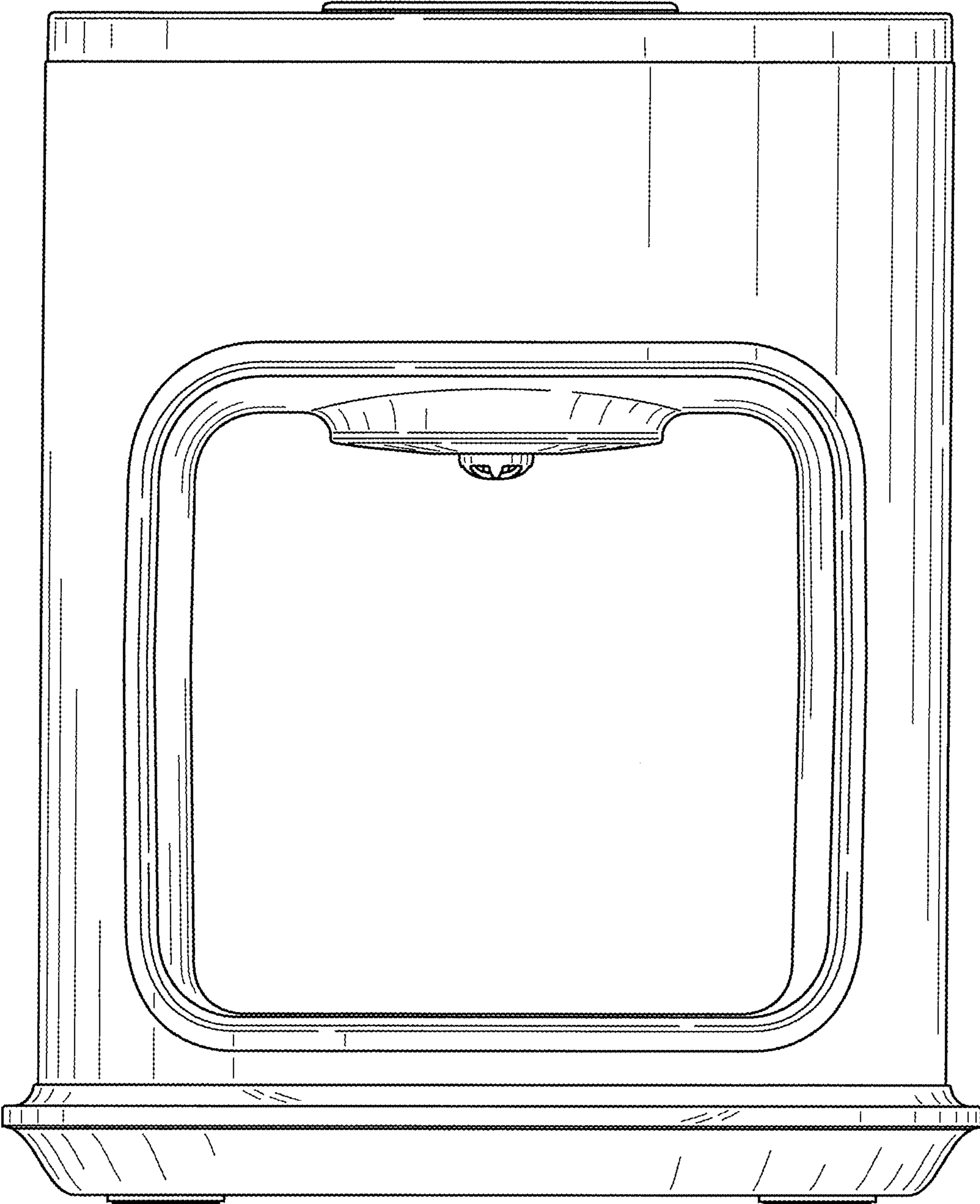


FIG. 2

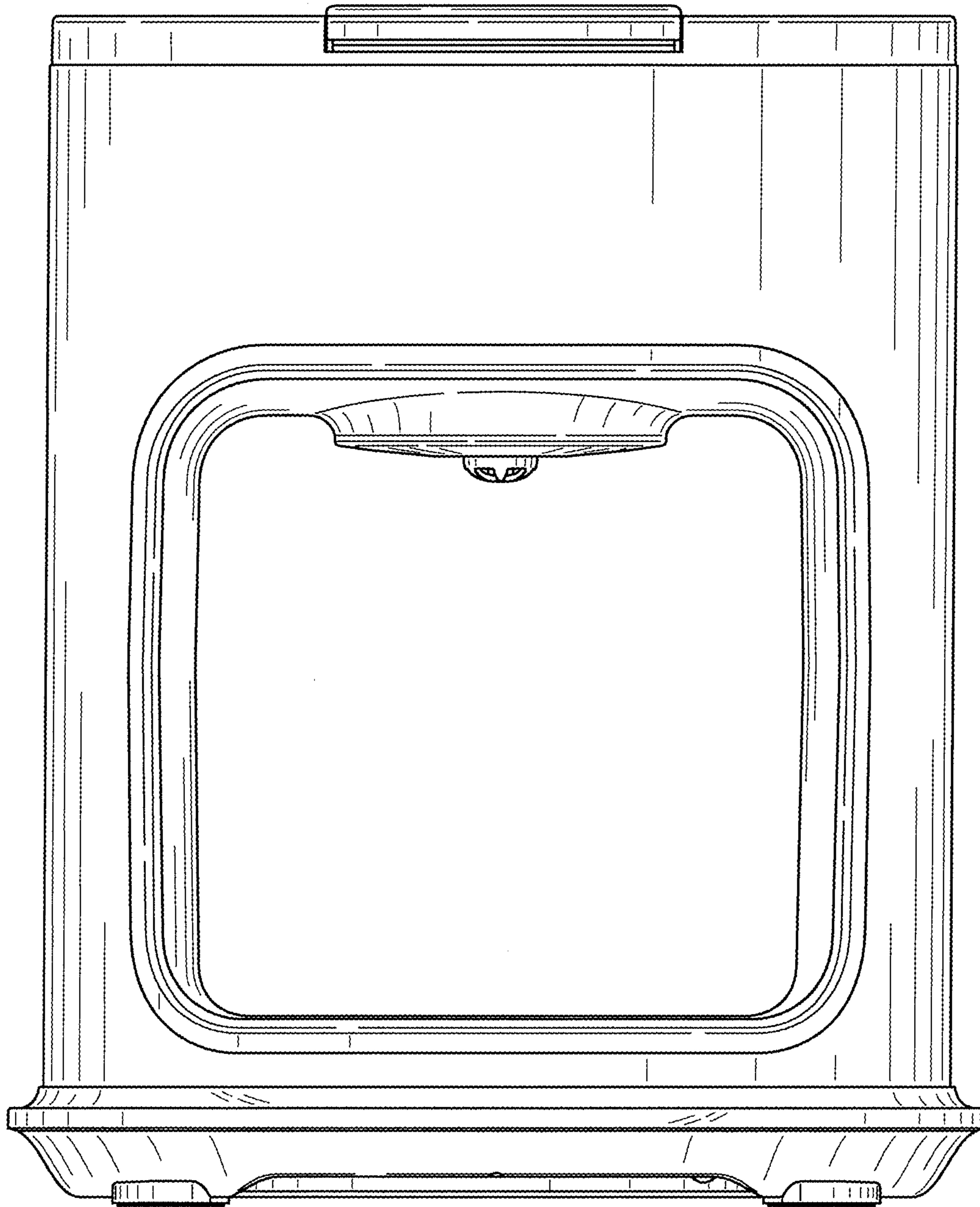


FIG. 3

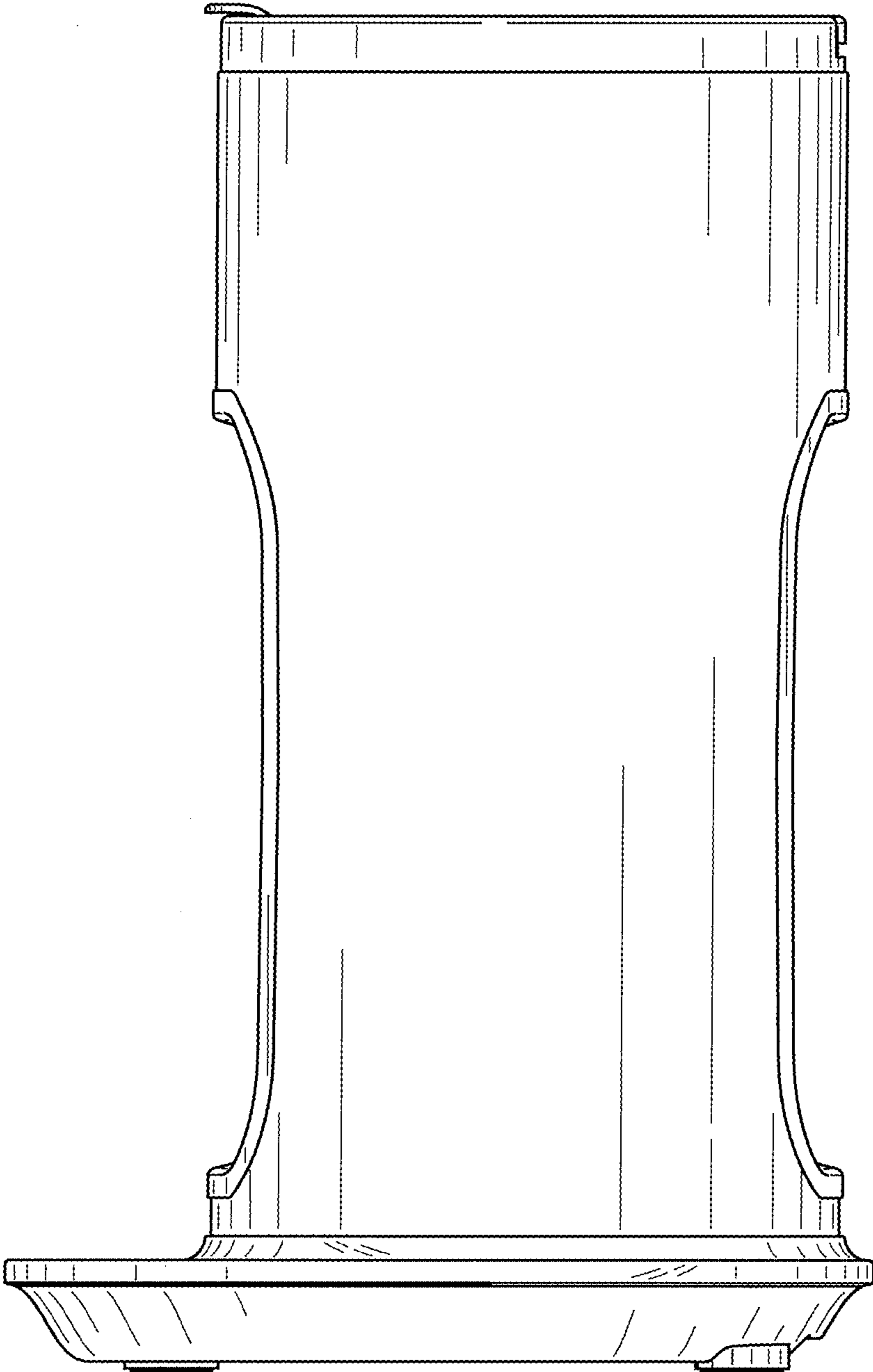


FIG. 4

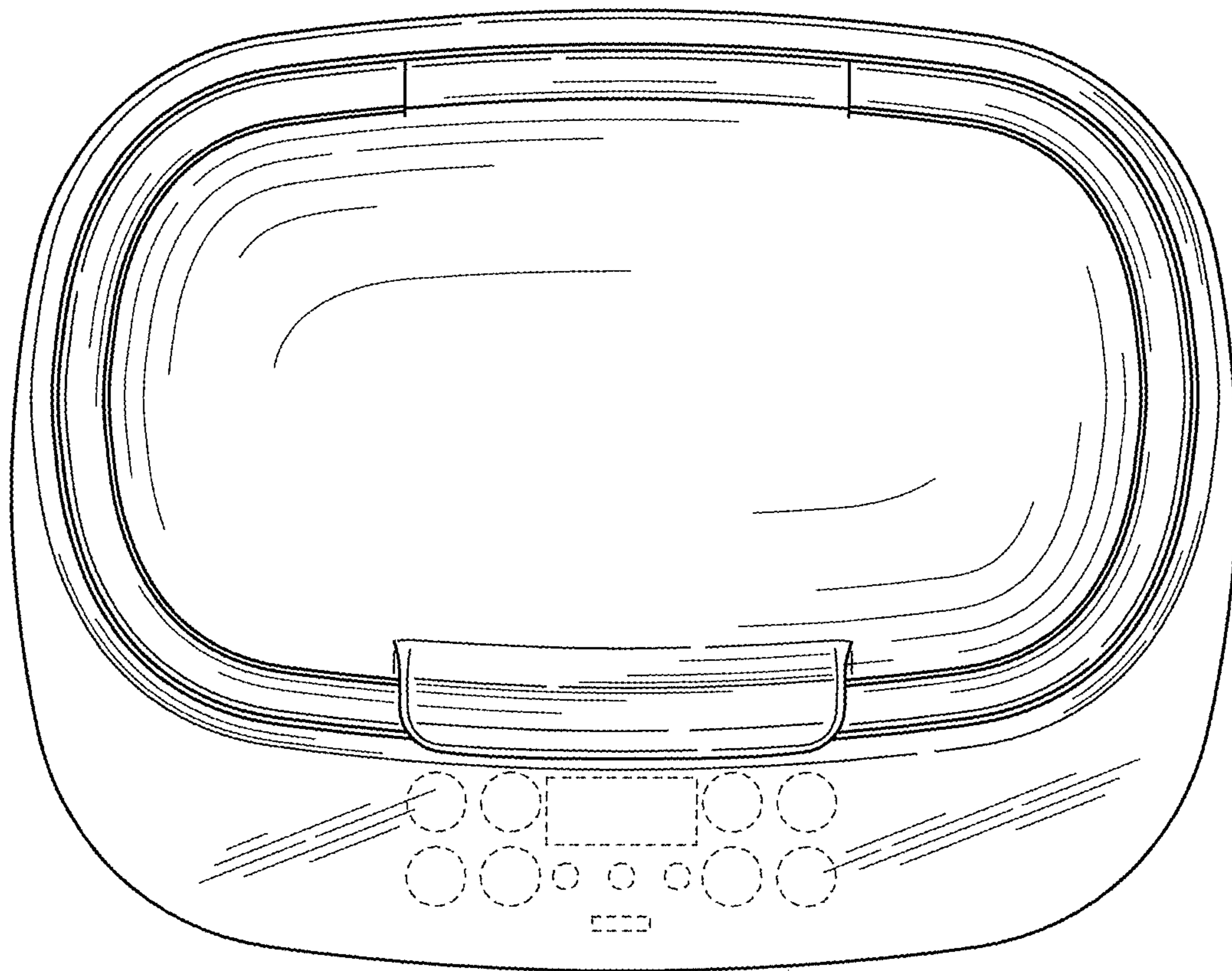


FIG. 5

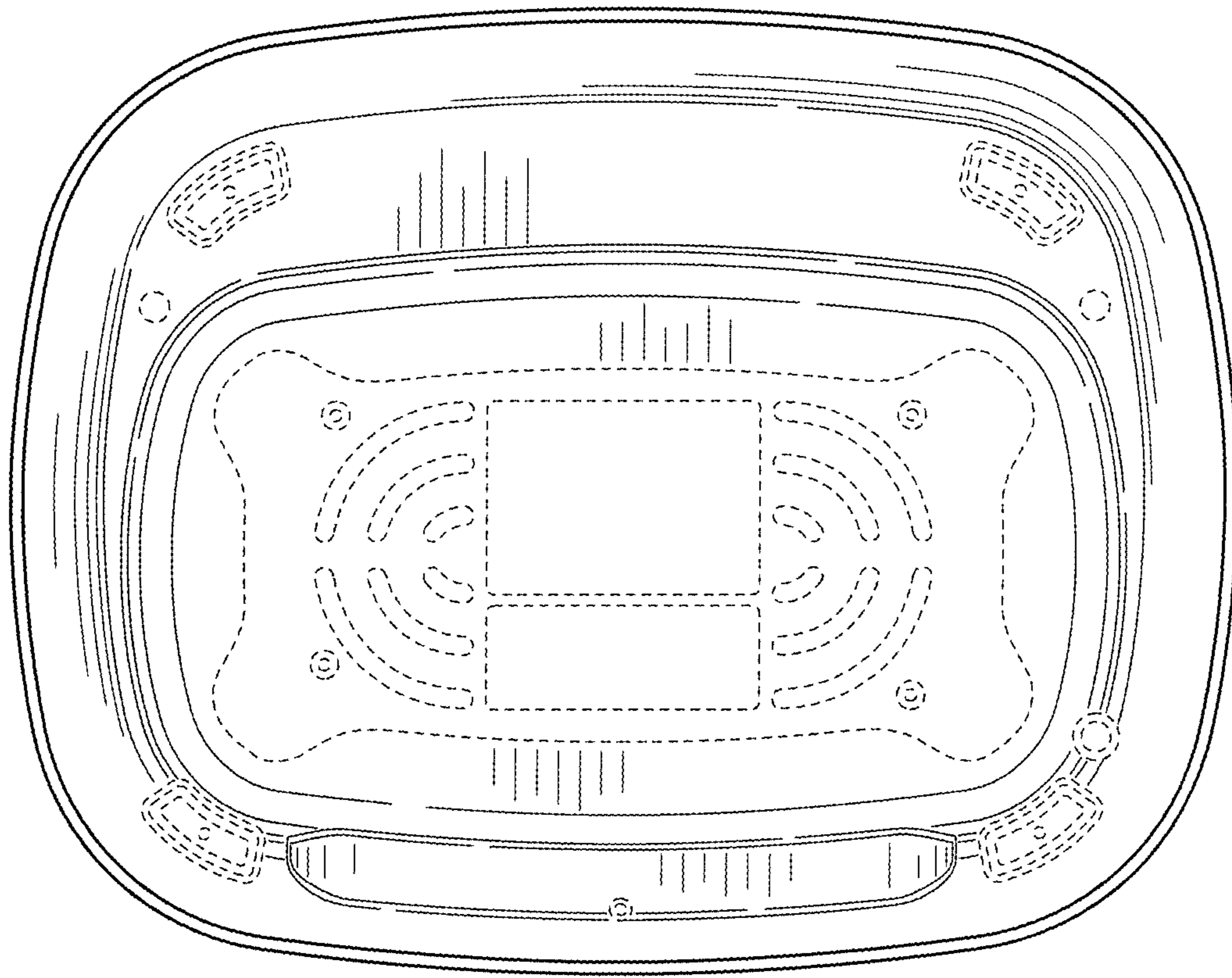


FIG. 6