



US00D813586S

(12) **United States Design Patent** (10) **Patent No.:** **US D813,586 S**
Fuller (45) **Date of Patent:** **** Mar. 27, 2018**

(54) **CHOCOLATE DISPENSER** D738,663 S * 9/2015 De'Longhi D7/306
D793,146 S * 8/2017 Palermo D7/306

(71) Applicant: **Glen D. Fuller**, Indianapolis, IN (US) * cited by examiner

(72) Inventor: **Glen D. Fuller**, Indianapolis, IN (US) *Primary Examiner* — Marianne Pandozzi
(74) *Attorney, Agent, or Firm* — C. John Brannon;
Brannon Sowers & Cracraft PC

(**) Term: **15 Years**

(57) **CLAIM**

(21) Appl. No.: **29/585,618**

The ornamental design for a chocolate dispenser, as shown and described.

(22) Filed: **Nov. 28, 2016**

DESCRIPTION

(51) **LOC (11) Cl.** **07-01**

(52) **U.S. Cl.**
USPC **D7/306; D7/311**

(58) **Field of Classification Search**
USPC D7/306–311, 590; 99/295
CPC A47J 31/3614; A47J 31/4403
See application file for complete search history.

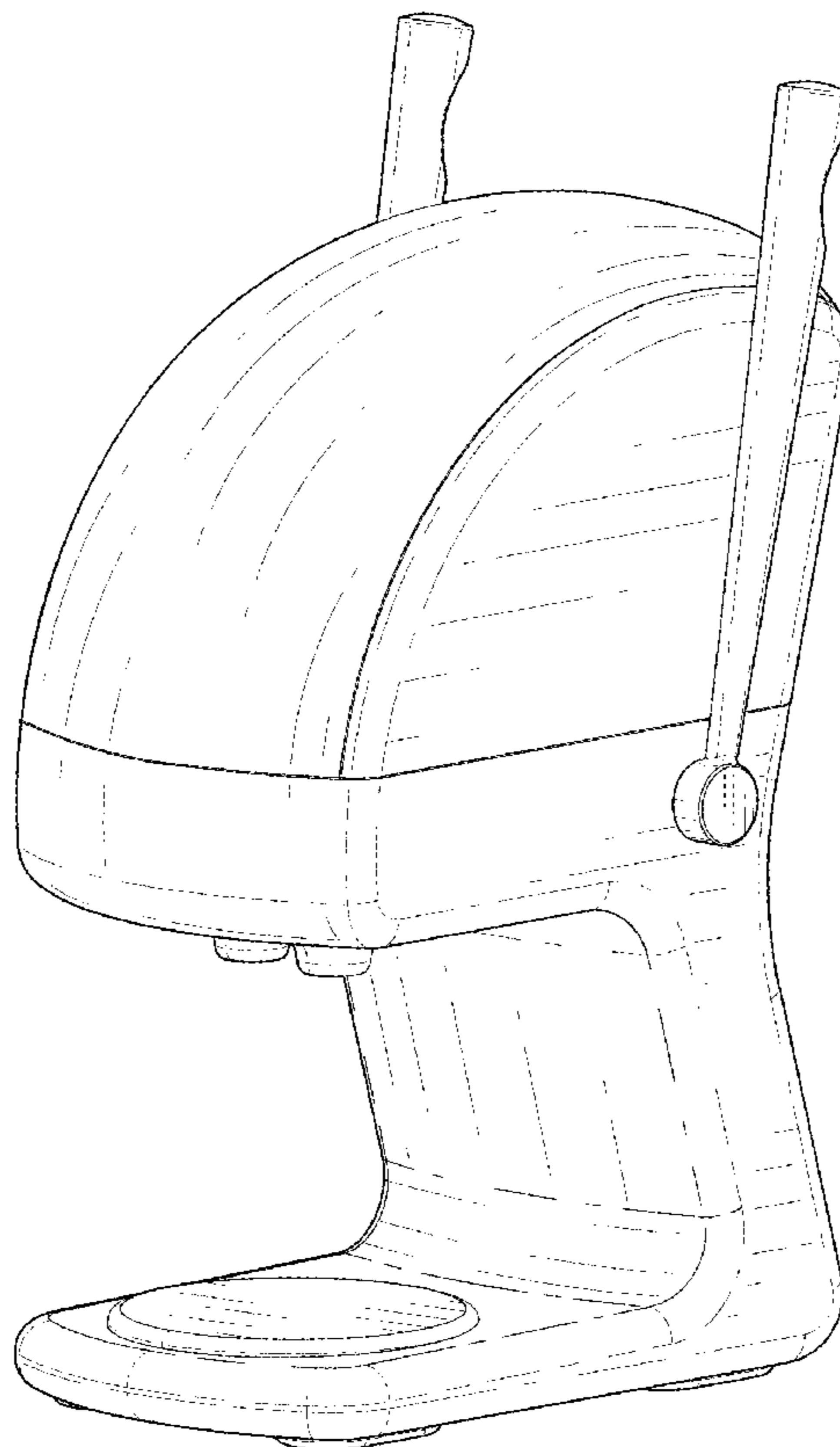
FIG. 1 is a top front right side perspective view of a chocolate dispenser showing my new design;
FIG. 2 is a bottom front right side perspective view of the chocolate dispenser of FIG. 1;
FIG. 3 is a top rear left side perspective view of the chocolate dispenser of FIG. 1;
FIG. 4 is a front elevation view of the embodiment of the chocolate dispenser of FIG. 1.
FIG. 5 is a right side elevation view of the embodiment of the chocolate dispenser of FIG. 1, with the left side elevation view being a mirror image of the same.
FIG. 6 is a rear elevation view of the embodiment of the chocolate dispenser of FIG. 1.
FIG. 7 is a top plan view of the chocolate dispenser of FIG. 1; and,
FIG. 8 is a bottom plan view of one end of the embodiment of the chocolate dispenser of FIG. 1.

(56) **References Cited**

U.S. PATENT DOCUMENTS

2,546,514 A * 3/1951 Lunardi A47J 31/50
210/175
D515,347 S * 2/2006 Reuss, Jr. D7/309
D554,408 S * 11/2007 Scorgie D6/542
D557,058 S * 12/2007 Lebot D7/307
D581,716 S * 12/2008 Harris, III D7/306
D628,007 S * 11/2010 Di Bitonto D7/309
D675,859 S * 2/2013 De Pra D7/309

1 Claim, 6 Drawing Sheets



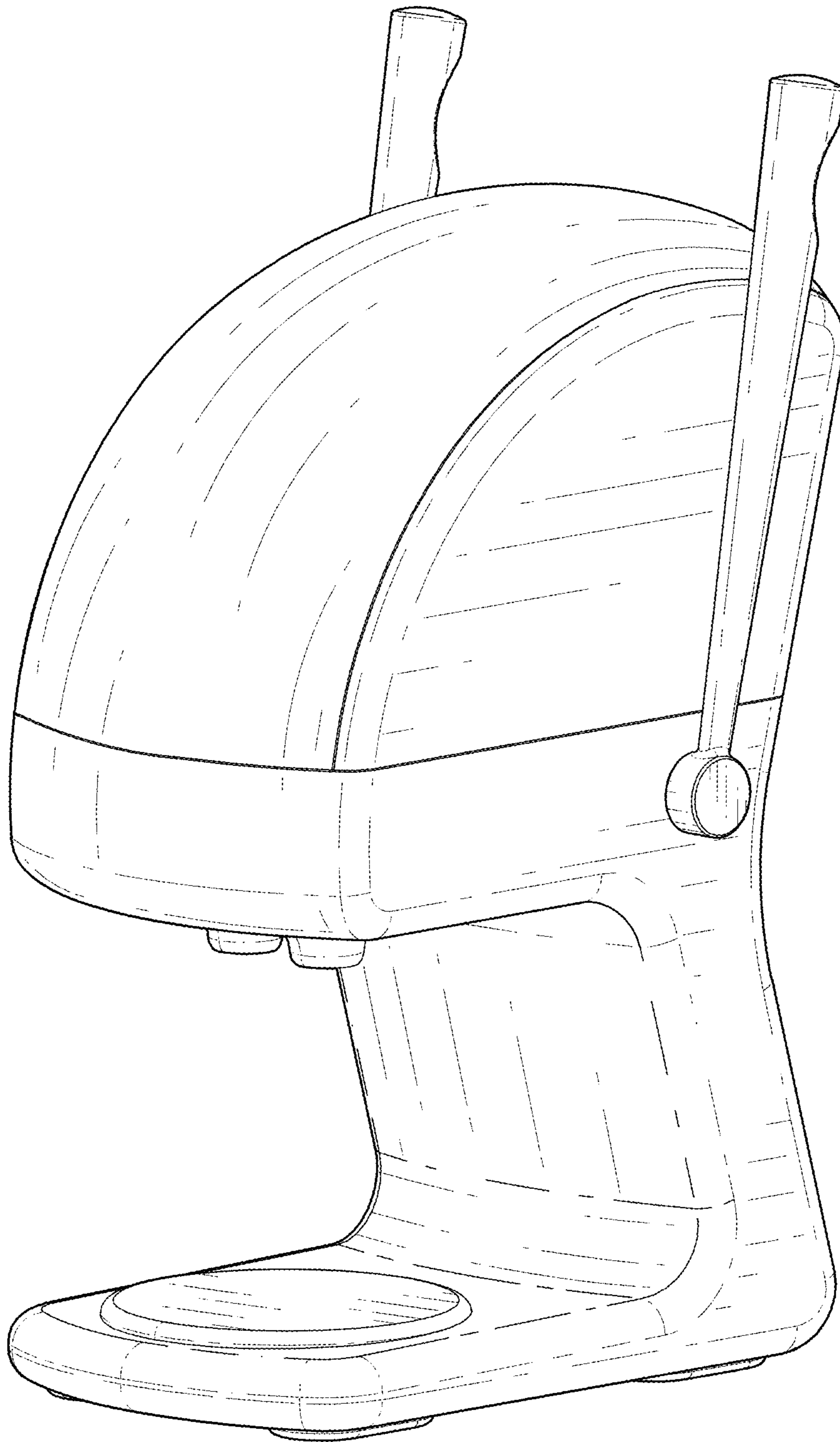


Fig. 1

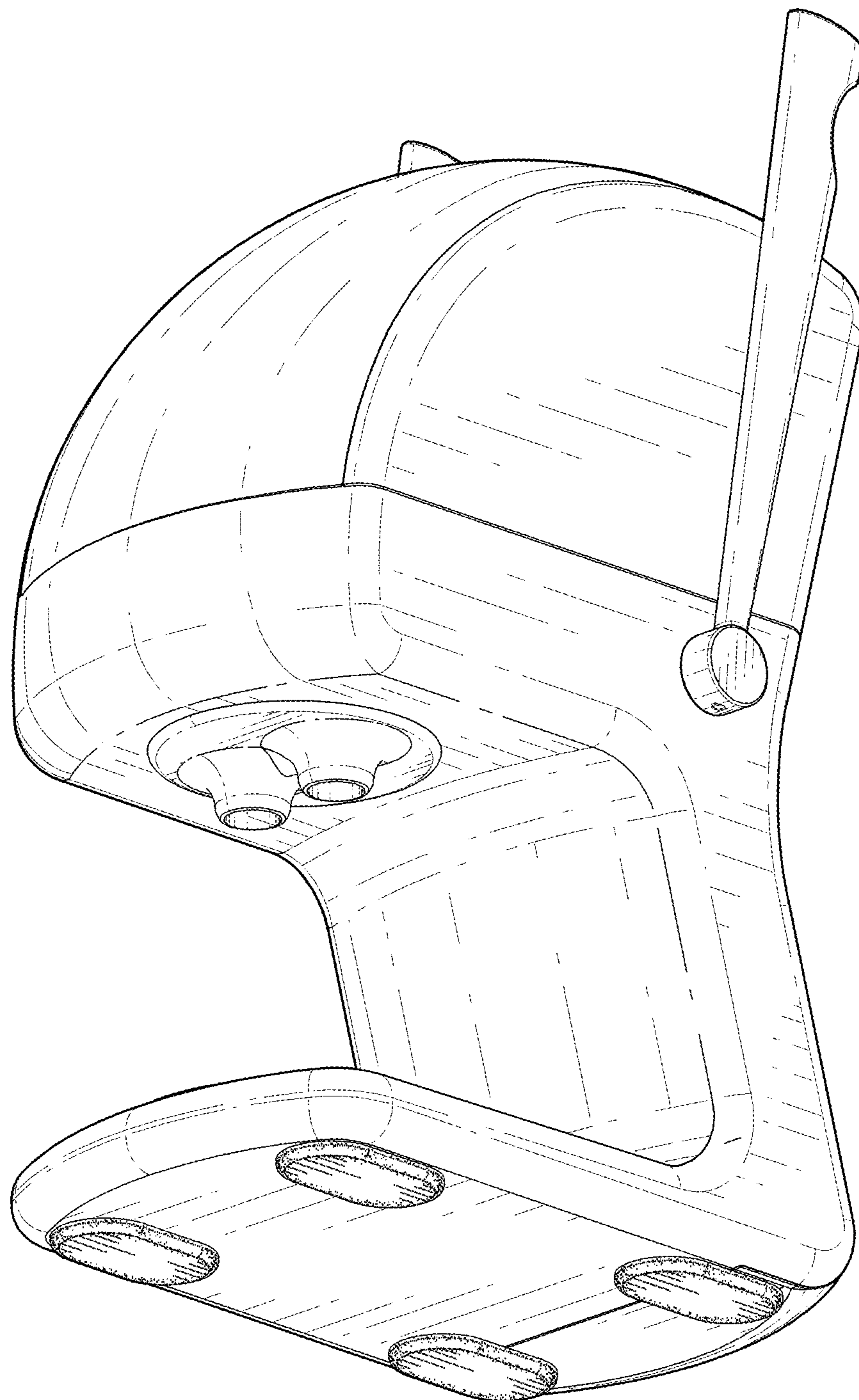


Fig. 2

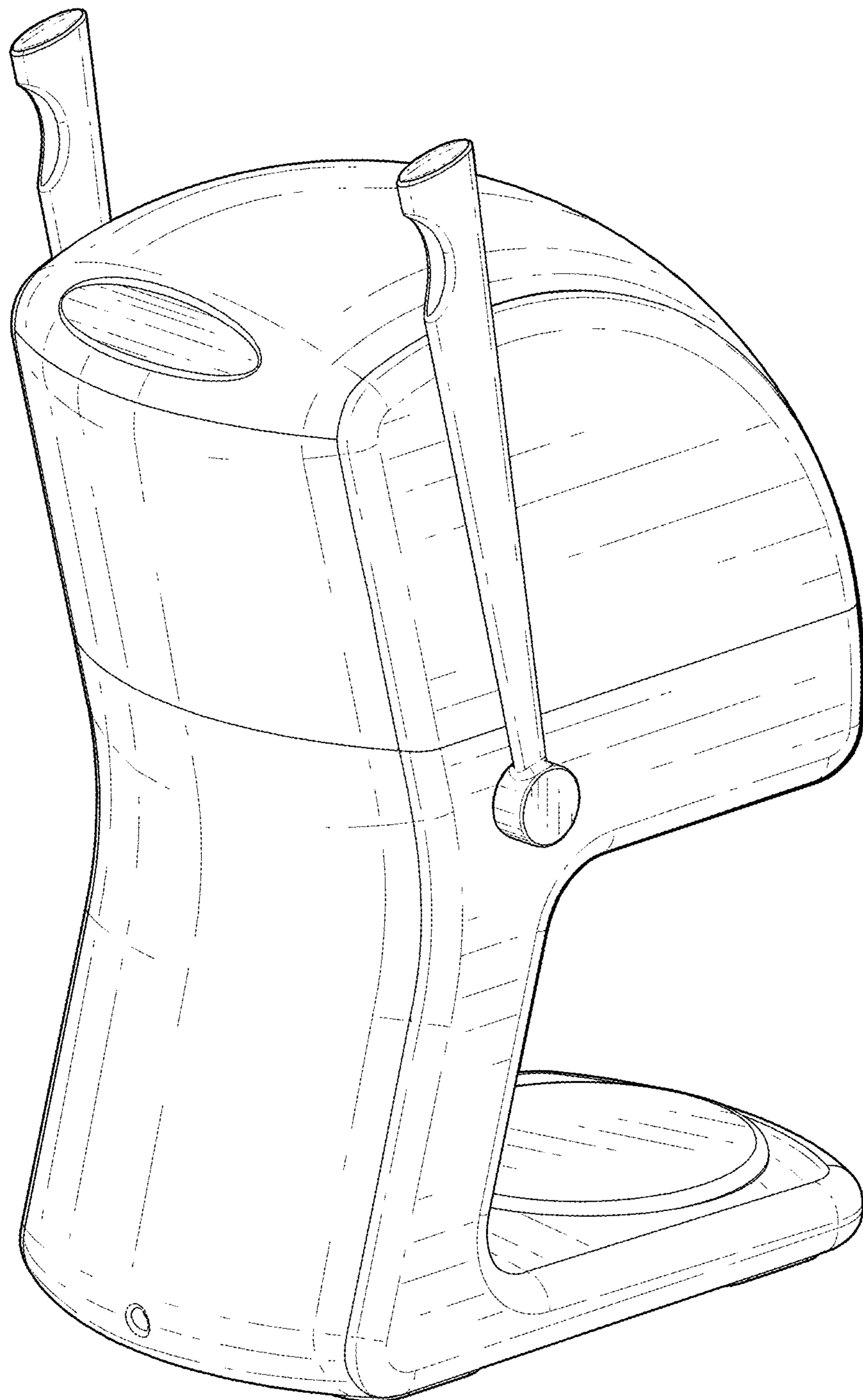


Fig. 3

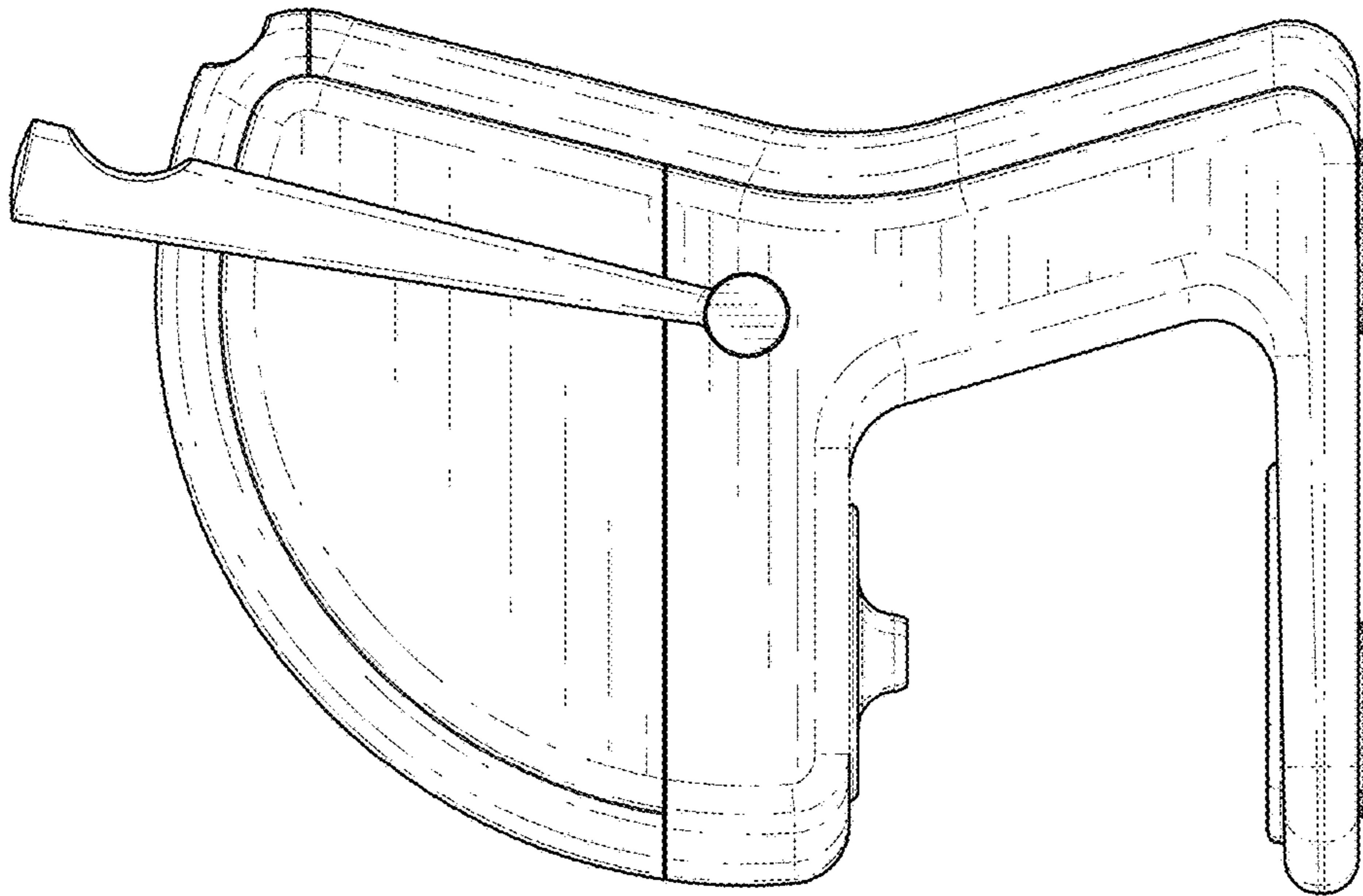


Fig. 5

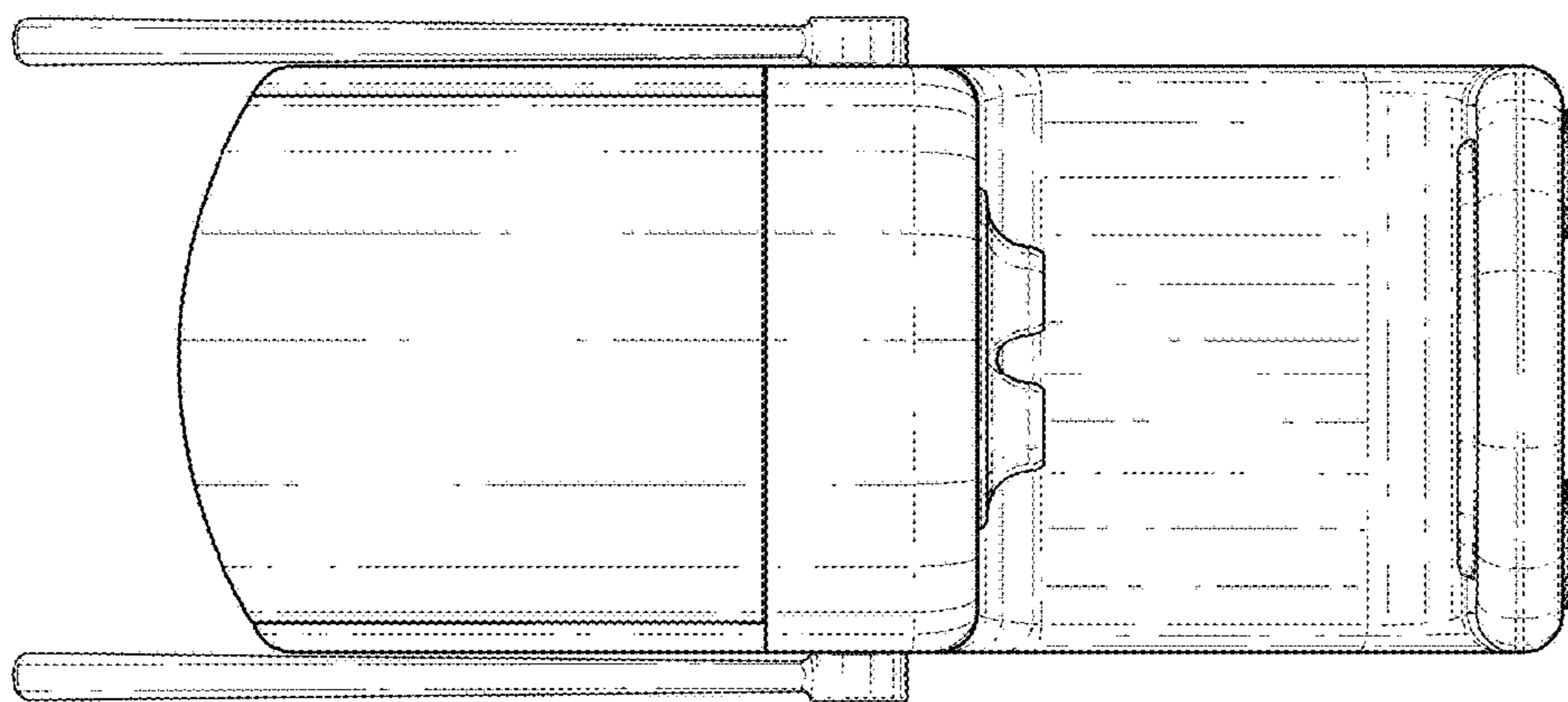


Fig. 4

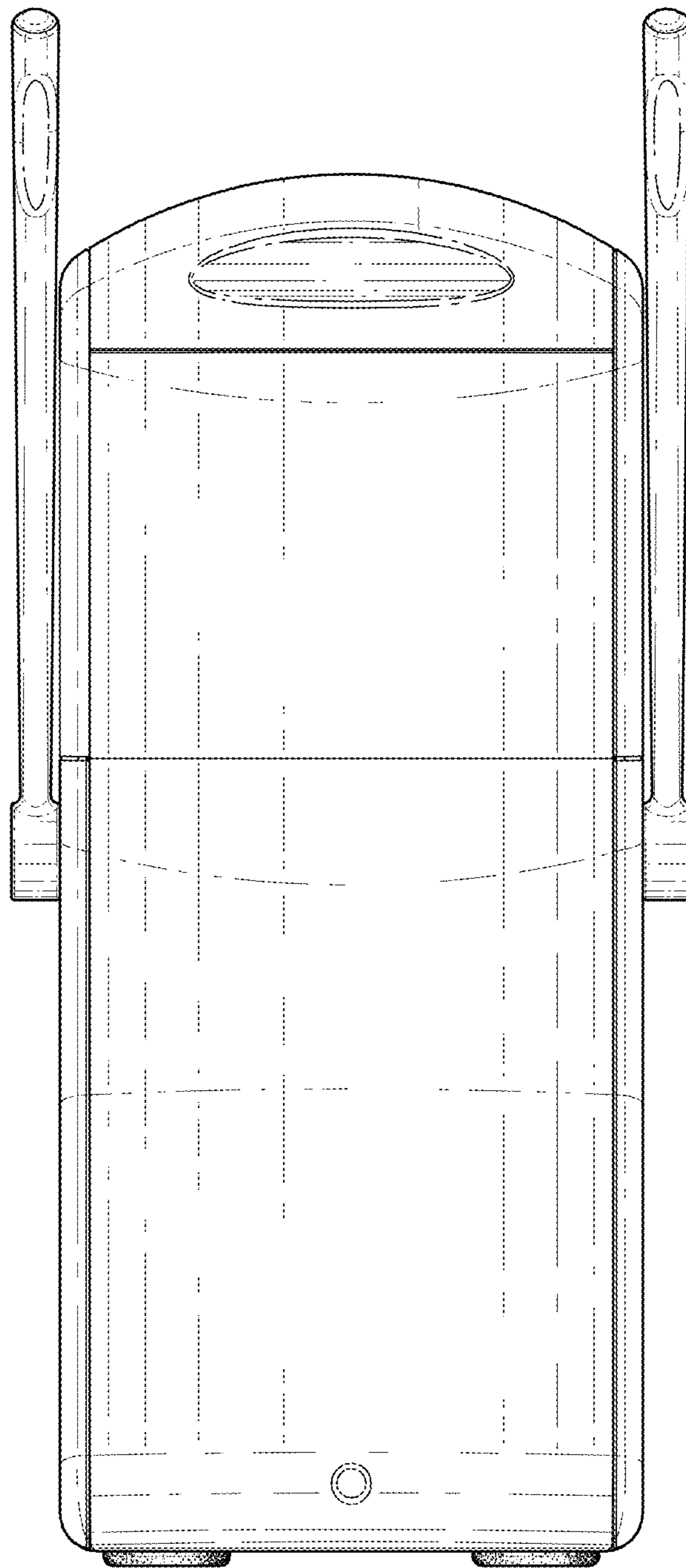


Fig. 6

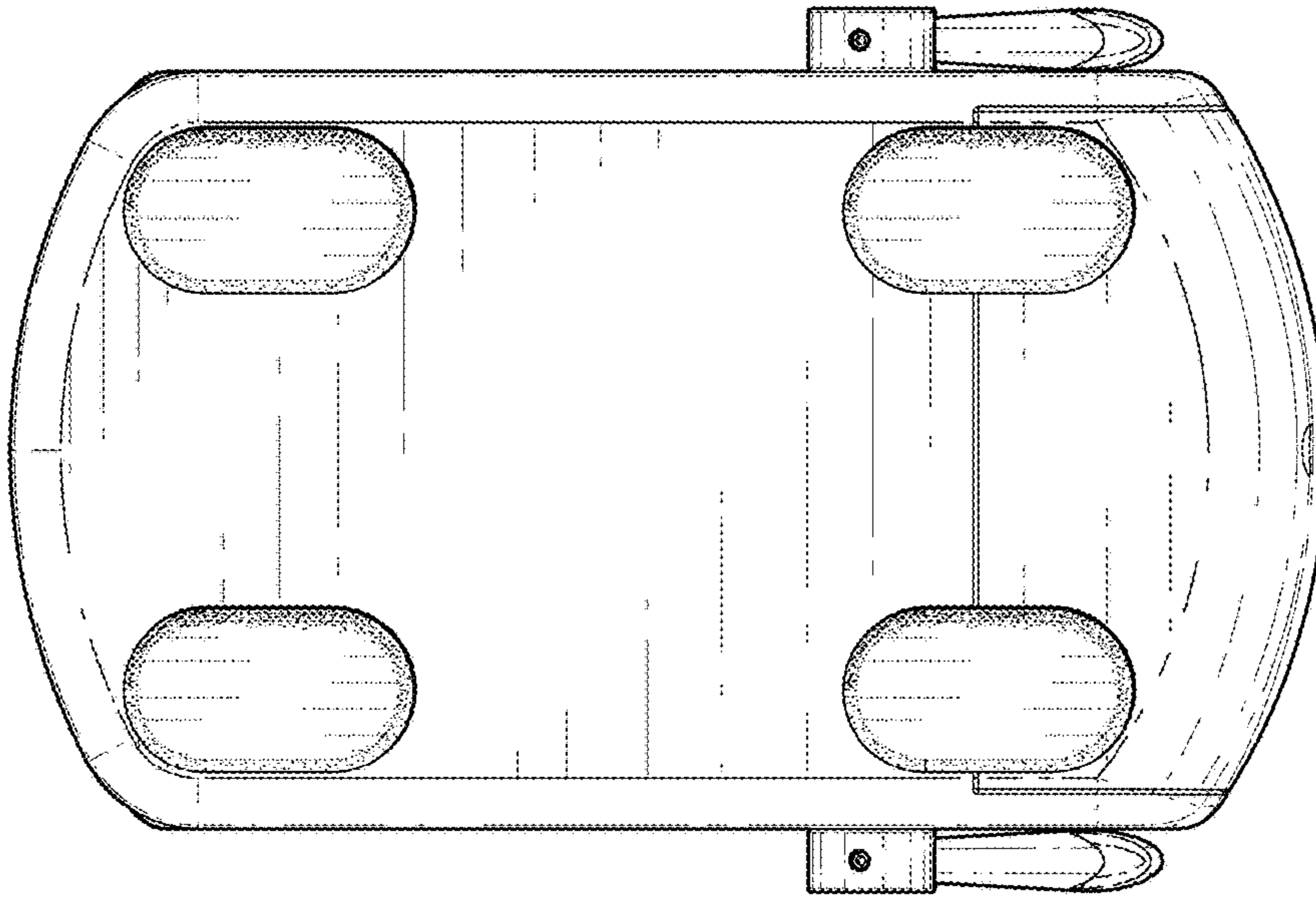


Fig. 7

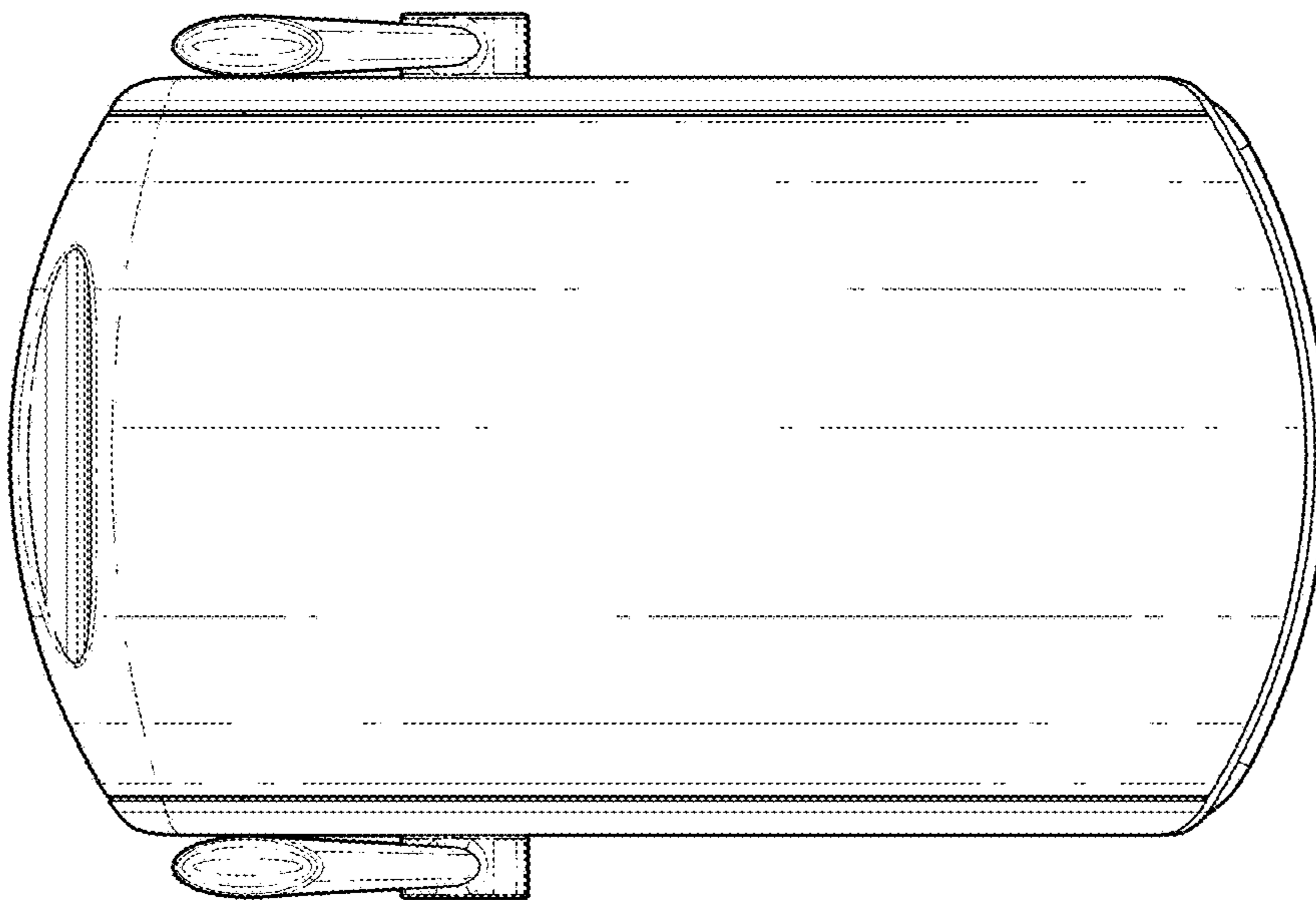


Fig. 8