



US00D813584S

(12) **United States Design Patent**  
**Ludwig et al.**

(10) **Patent No.:** **US D813,584 S**  
(45) **Date of Patent:** **\*\* Mar. 27, 2018**

(54) **STRAW WITH ATTACHED PANEL**

(71) Applicant: **Whirley Industries, Inc.**, Warren, PA  
(US)

(72) Inventors: **Benjamin L. Ludwig**, Ashville, NY  
(US); **Rachel M. Ludwig**, Ashville, NY  
(US); **Brad M. Bielawski**, Warren, PA  
(US); **Brian K. Reib**, Pleasantville, PA  
(US); **Gail A. Grosch**, Warren, PA  
(US); **Joseph M. Schwind**, Warren, PA  
(US)

(73) Assignee: **Whirley Industries, Inc.**, Warren, PA  
(US)

(\*\*) Term: **15 Years**

(21) Appl. No.: **29/573,539**

(22) Filed: **Aug. 8, 2016**

(51) **LOC (11) Cl.** ..... **07-06**

(52) **U.S. Cl.**  
USPC ..... **D7/300.2**

(58) **Field of Classification Search**  
USPC ..... D7/300.2, 301, 305; D9/436, 716, 718;  
D24/108, 110, 112; D21/318, 319, 727,  
D21/733, 756, 759, 789

(Continued)

(56) **References Cited**

**U.S. PATENT DOCUMENTS**

2,469,292 A \* 5/1949 Cornwell ..... A47G 19/2222  
215/391

D243,817 S \* 3/1977 Cloyd ..... D7/300.2  
(Continued)

**OTHER PUBLICATIONS**

“7-Eleven’s New Slurpee Straws Let You Channel Your Spirit Animal”. Found online Oct. 10, 2017 at foodbeast.com. Page dated May 26, 2015. Retrieved from <https://www.foodbeast.com/news/7-eleven-new-slurpee-straws/>.\*

(Continued)

*Primary Examiner* — Robert M. Spear

*Assistant Examiner* — Kendra Leslie Hamilton

(74) *Attorney, Agent, or Firm* — Buchanan Ingersoll & Rooney PC

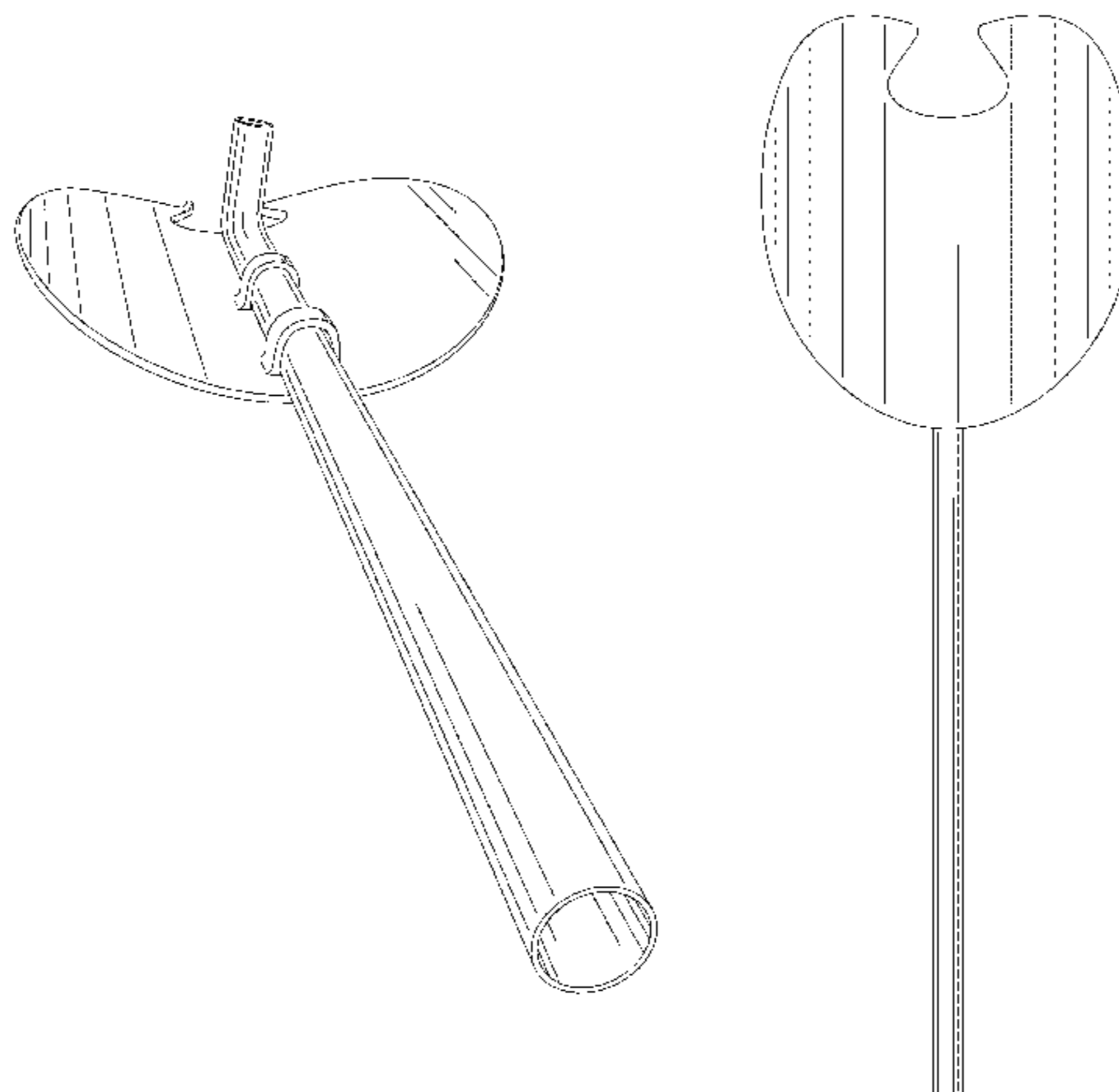
(57) **CLAIM**

The ornamental design for a straw with attached panel, as shown and described.

**DESCRIPTION**

FIG. 1 is a top front right perspective view of a straw with attached panel, showing our new design;  
FIG. 2 is a bottom rear right perspective view thereof;  
FIG. 3 is a front elevational view thereof;  
FIG. 4 is a rear elevational view thereof;  
FIG. 5 is a left side elevational view thereof;  
FIG. 6 is a right side elevational view thereof;  
FIG. 7 is a top plan view thereof;  
FIG. 8 is a bottom plan view thereof;  
FIG. 9 is a top front right perspective view of the straw of FIG. 1, with the straw shown adjacent to the panel for clarity of disclosure;  
FIG. 10 is a bottom rear right perspective view thereof;  
FIG. 11 is a front elevational view thereof;  
FIG. 12 is a rear elevational view thereof;  
FIG. 13 is a left side elevational view thereof;  
FIG. 14 is a right side elevational view thereof;  
FIG. 15 is a top plan view thereof;  
FIG. 16 is a bottom plan view thereof;  
FIG. 17 is a top front right perspective view of the panel of FIG. 1, with the straw removed for clarity of disclosure;  
FIG. 18 is a bottom rear right perspective view thereof;  
FIG. 19 is a front elevational view thereof;  
FIG. 20 is a rear elevational view thereof;  
FIG. 21 is a left side elevational view thereof;  
FIG. 22 is a right side elevational view thereof;  
FIG. 23 is a top plan view thereof; and,  
FIG. 24 is a bottom plan view thereof.

**1 Claim, 18 Drawing Sheets**



(58) **Field of Classification Search**  
 CPC ..... A47G 21/18; A47G 21/182  
 See application file for complete search history.

2009/0261116 A1\* 10/2009 Bonds ..... A47G 21/185  
 220/705  
 2012/0205389 A1\* 8/2012 Beary ..... A47G 19/2222  
 220/708  
 2014/0231535 A1\* 8/2014 Alotaibi ..... A47G 21/18  
 239/33

(56) **References Cited**

U.S. PATENT DOCUMENTS

5,048,709 A \* 9/1991 Alverson ..... B65D 77/28  
 215/229  
 D352,416 S 11/1994 Dutton  
 D382,759 S \* 8/1997 Adaska ..... D7/300.2  
 D450,127 S \* 11/2001 Trujillo ..... D24/194  
 D490,637 S \* 6/2004 Diaz ..... D7/300.2  
 D736,568 S 8/2015 Jenkins  
 D781,652 S \* 3/2017 Matthis ..... D7/300.2  
 D784,062 S \* 4/2017 Juarbe ..... D7/300.2  
 2005/0014441 A1\* 1/2005 Matos ..... A63H 33/08  
 446/85  
 2008/0203104 A1\* 8/2008 Pawlik ..... A47G 19/2222  
 220/710

OTHER PUBLICATIONS

“Paladone Face Straws”. Found online Oct. 10, 2017 at paladone.com. Page dated Apr. 25, 2016. Retrieved from <https://web.archive.org/web/20160425073613/https://paladone.com/Face-Straws>.\*

“Cakies: Strawberry Milkshakes With Funny Face Straw Toppers”. Found online Oct. 10, 2017 at mycakies.com. Page dated Aug. 21, 2014. Retrieved from <http://mycakies.com/2014/08/strawberry-milkshakes-with-funny-face-straw-toppers/>.\*

“RSVP Endurance Stainless Steel Bent Drink Straws”. Found online Oct. 10, 2017 at amazon.com. Page dated Nov. 29, 2006. Retrieved from [https://www.amazon.com/dp/B000AUIIN18/?tag=097-20&ascsubtag=v6\\_3\\_4\\_h8a\\_2zu\\_cg\\_x01](https://www.amazon.com/dp/B000AUIIN18/?tag=097-20&ascsubtag=v6_3_4_h8a_2zu_cg_x01).\*

\* cited by examiner

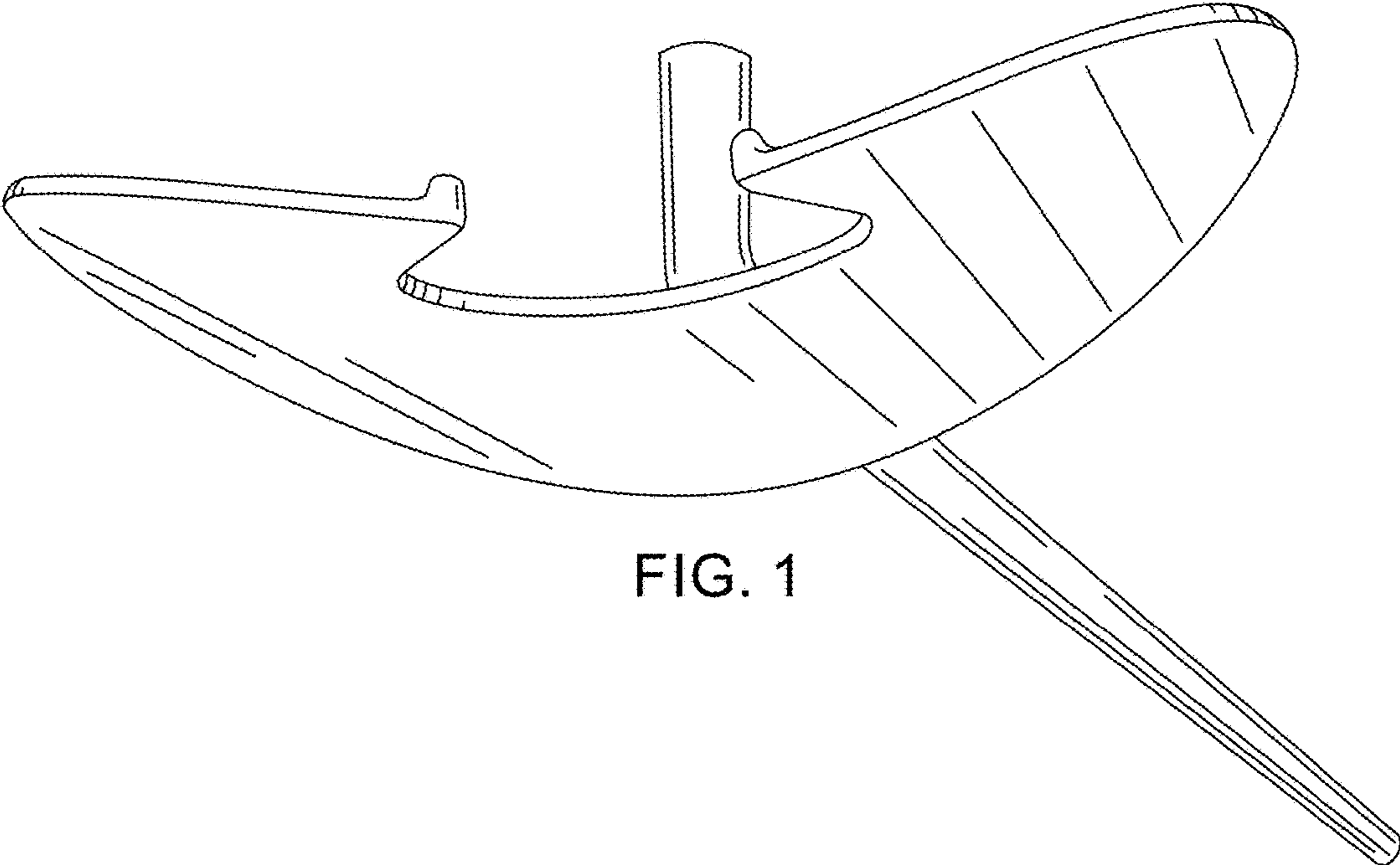


FIG. 1

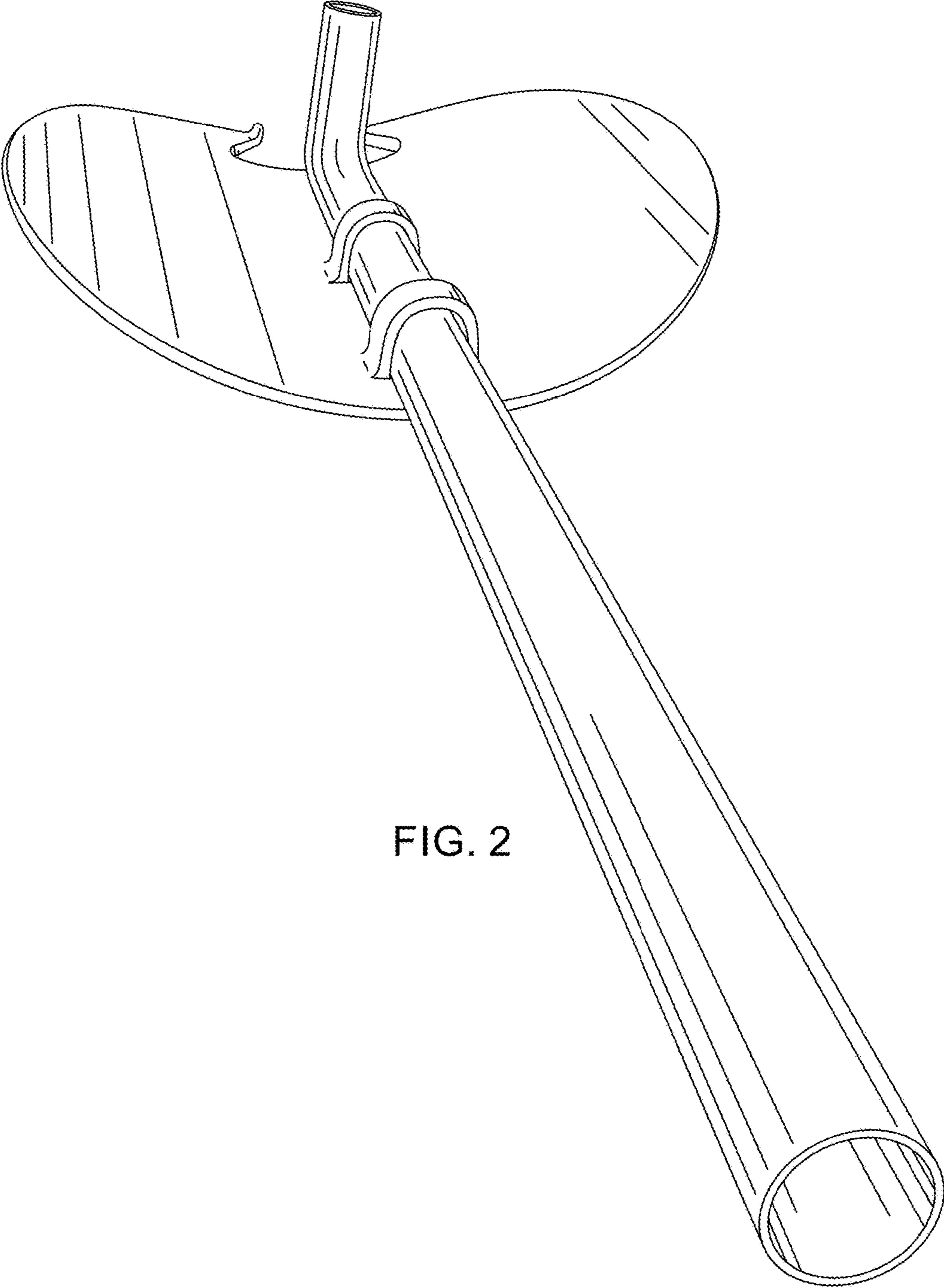


FIG. 2

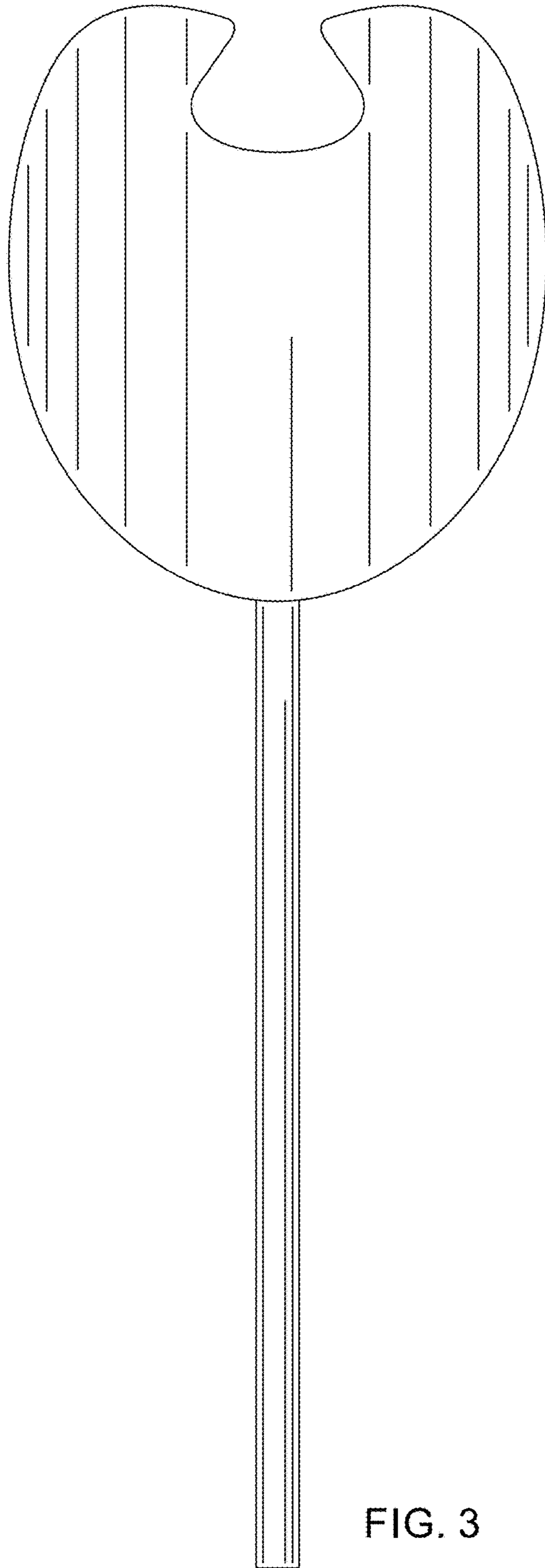


FIG. 3

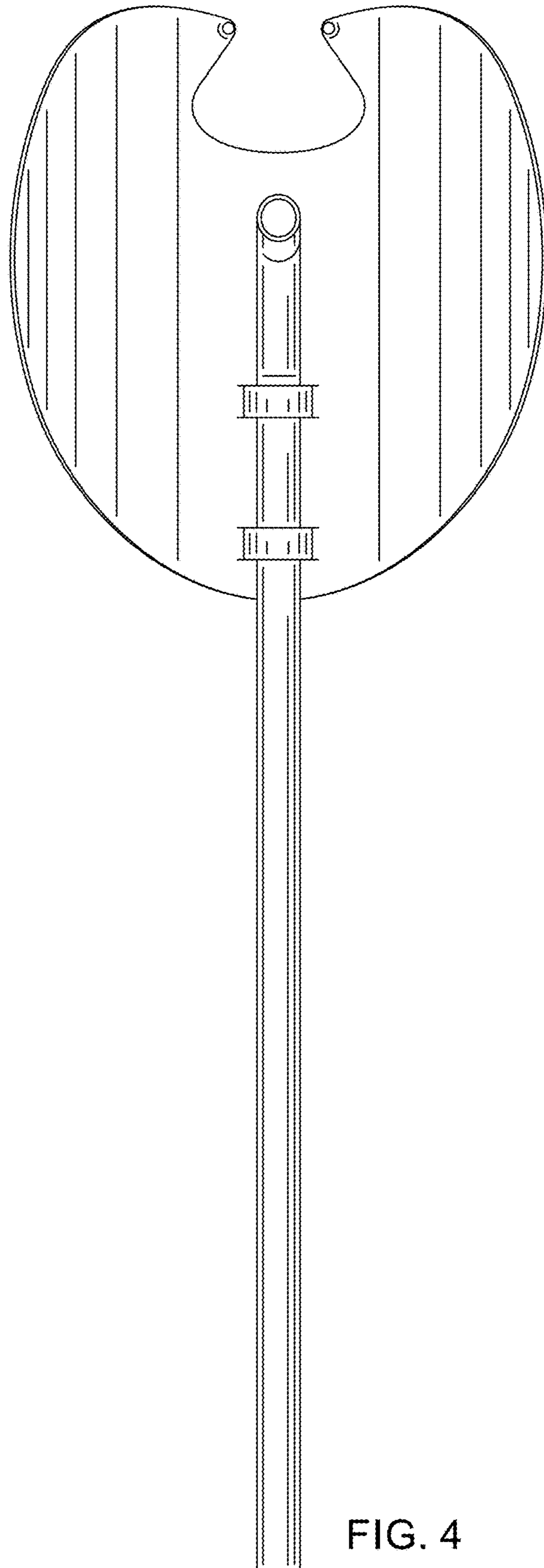


FIG. 4

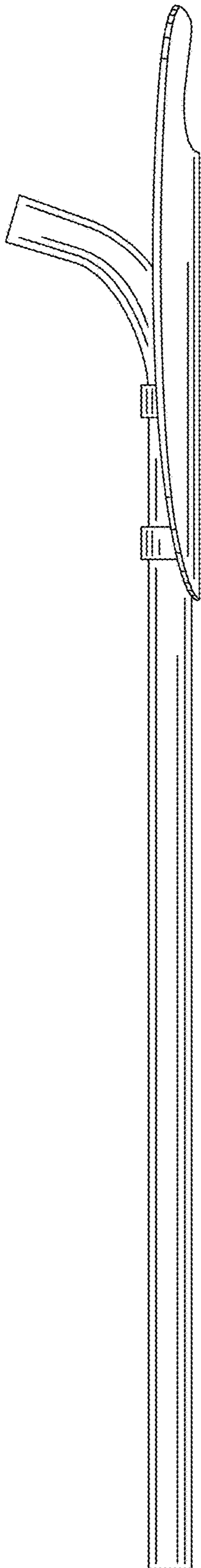


FIG. 5

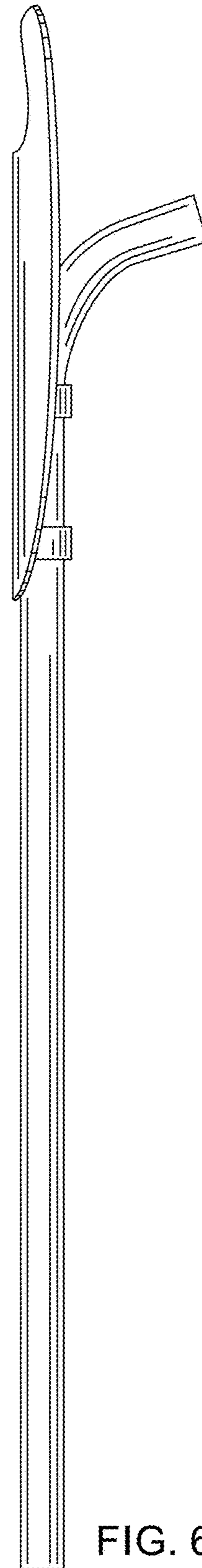


FIG. 6

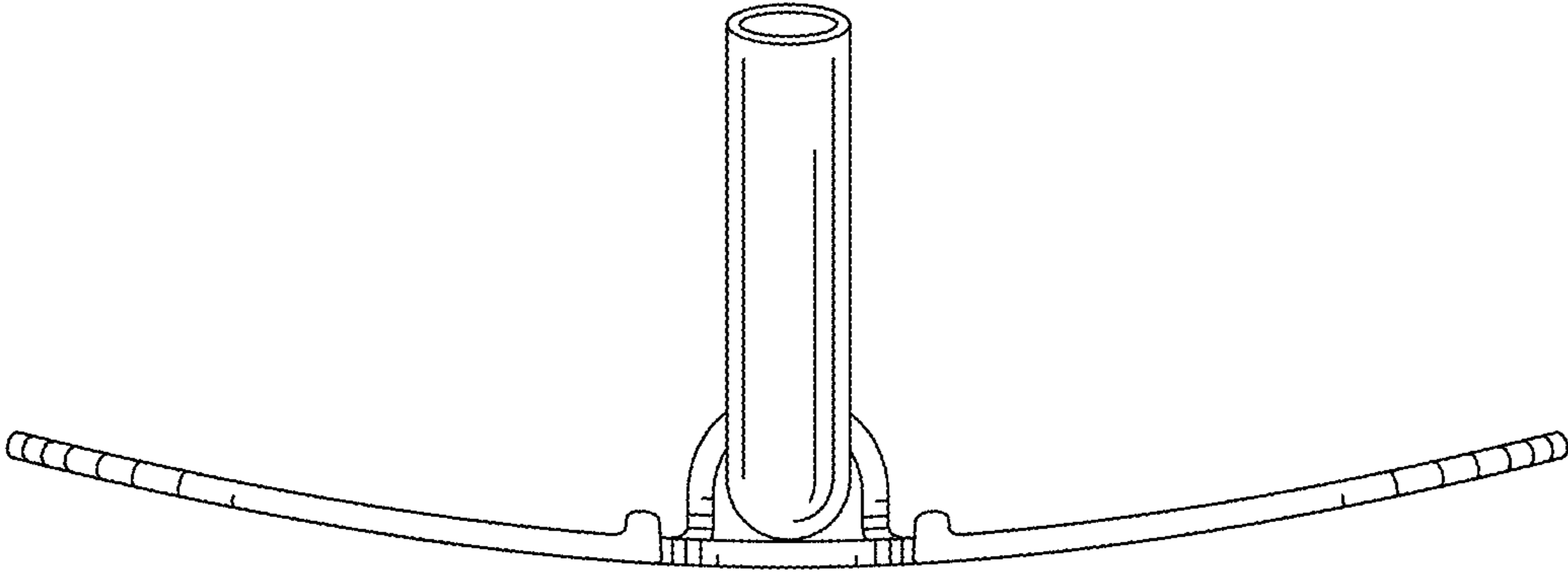


FIG. 7

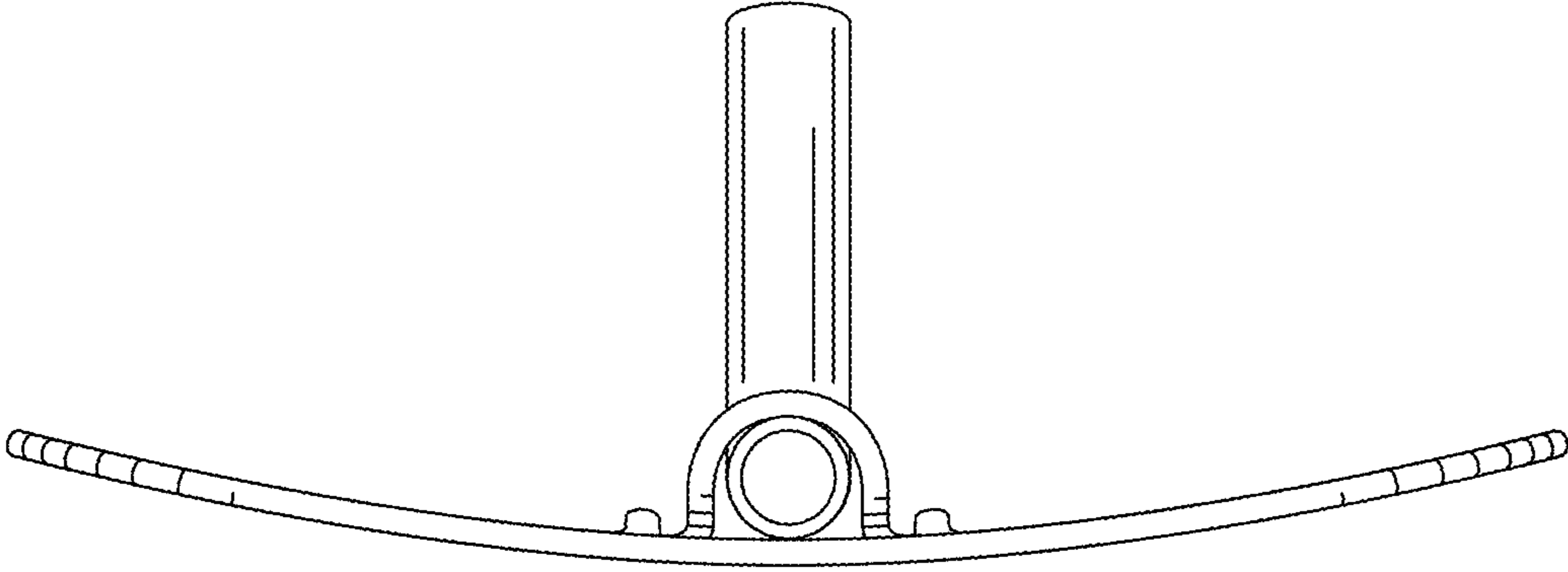


FIG. 8



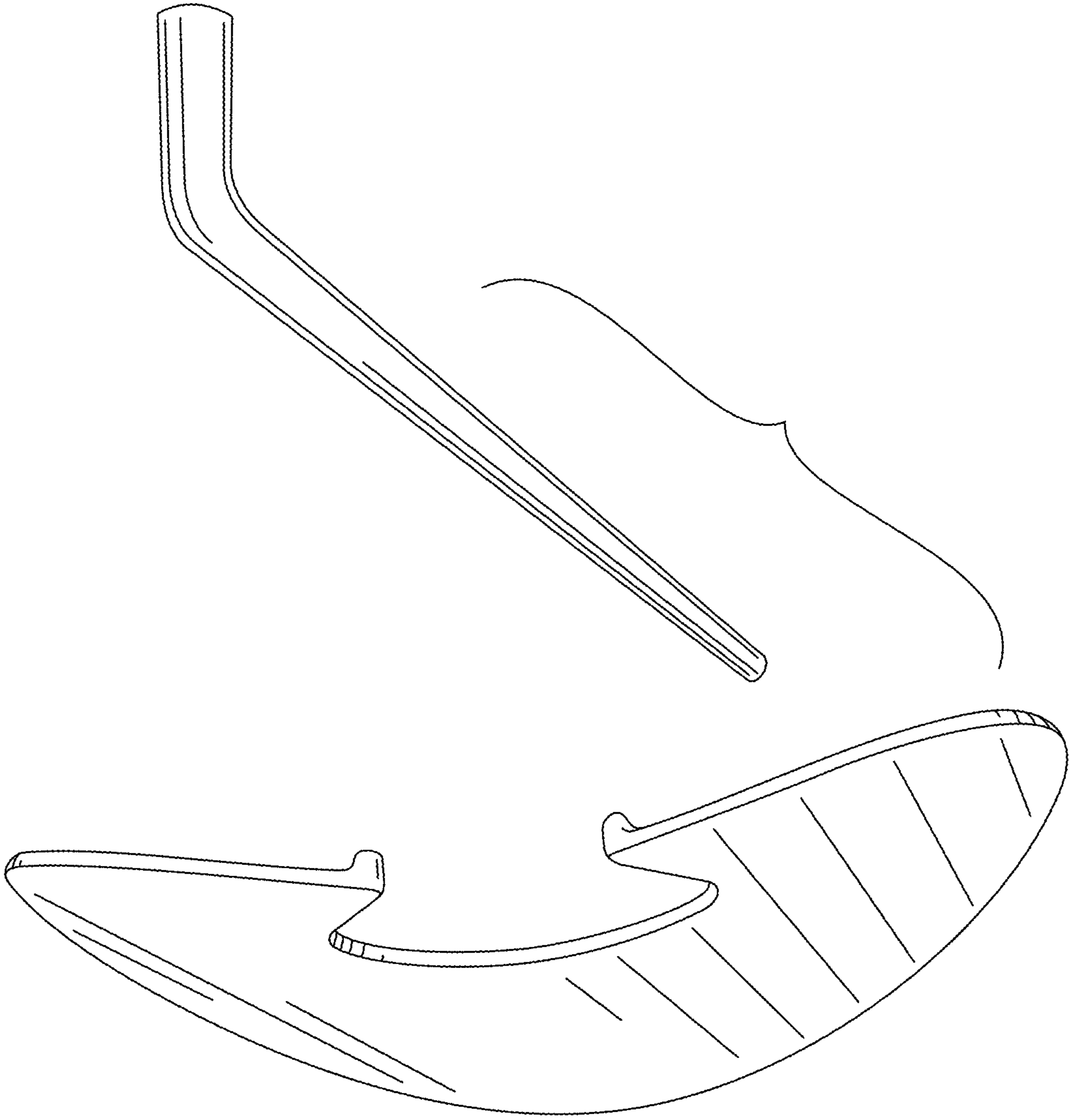


FIG. 9

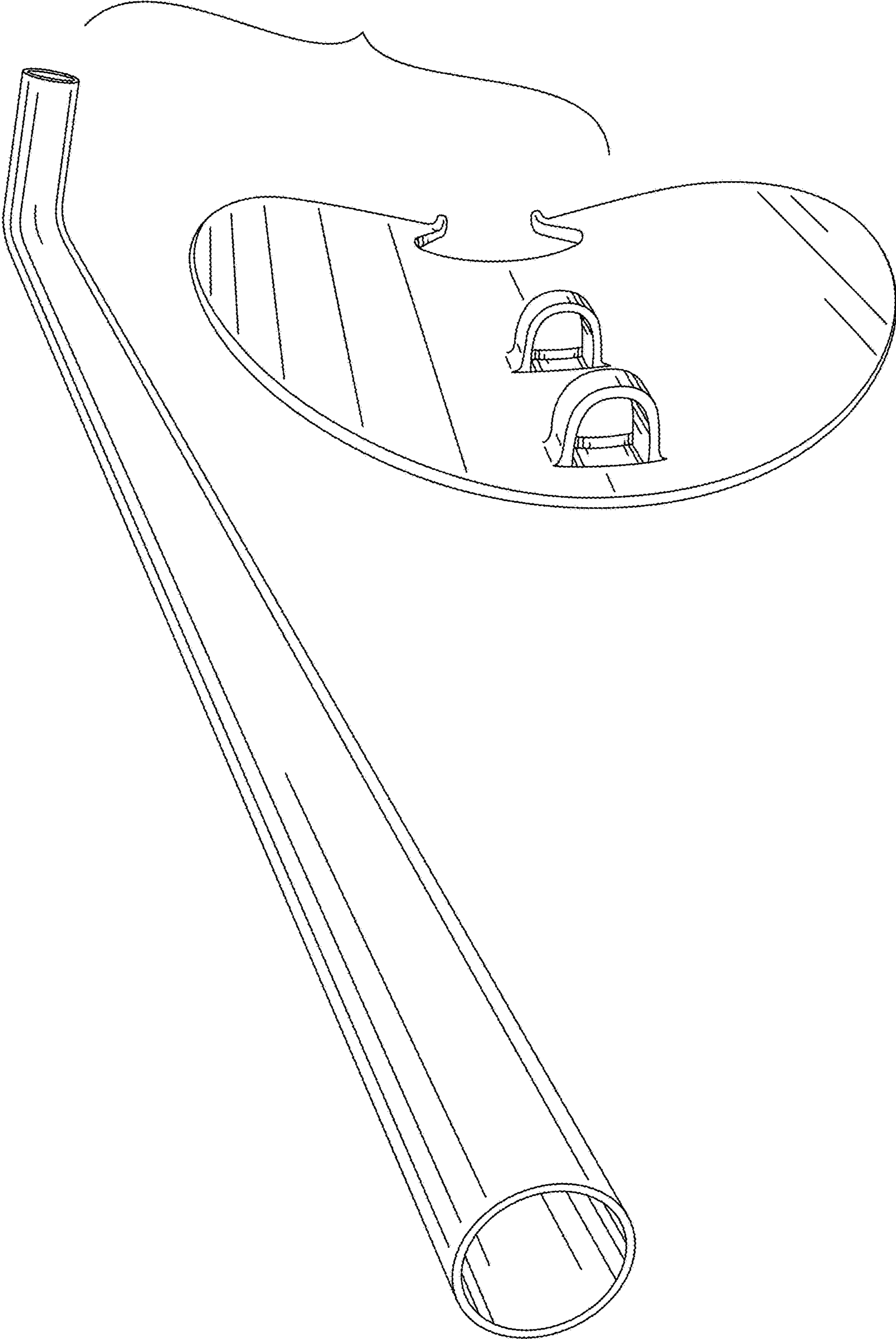


FIG. 10

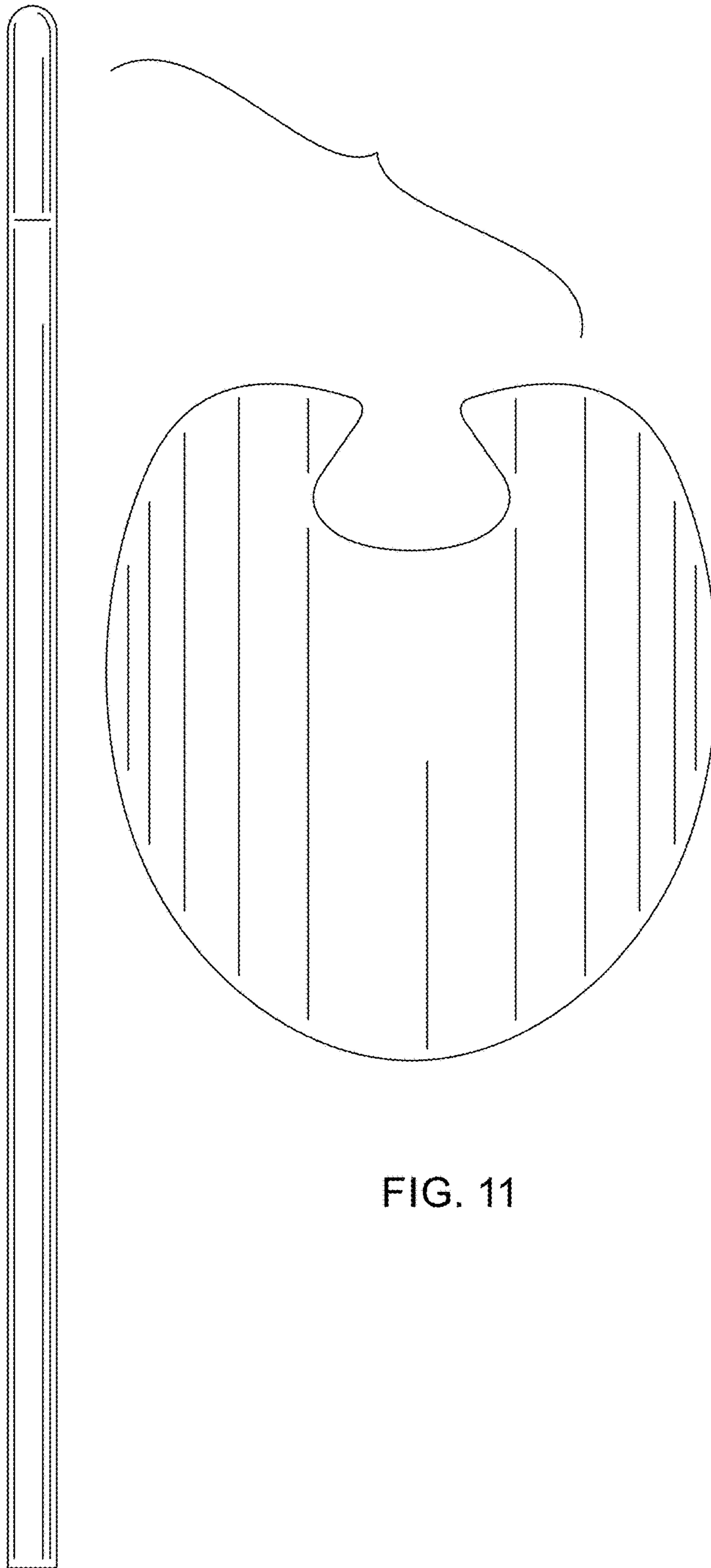


FIG. 11

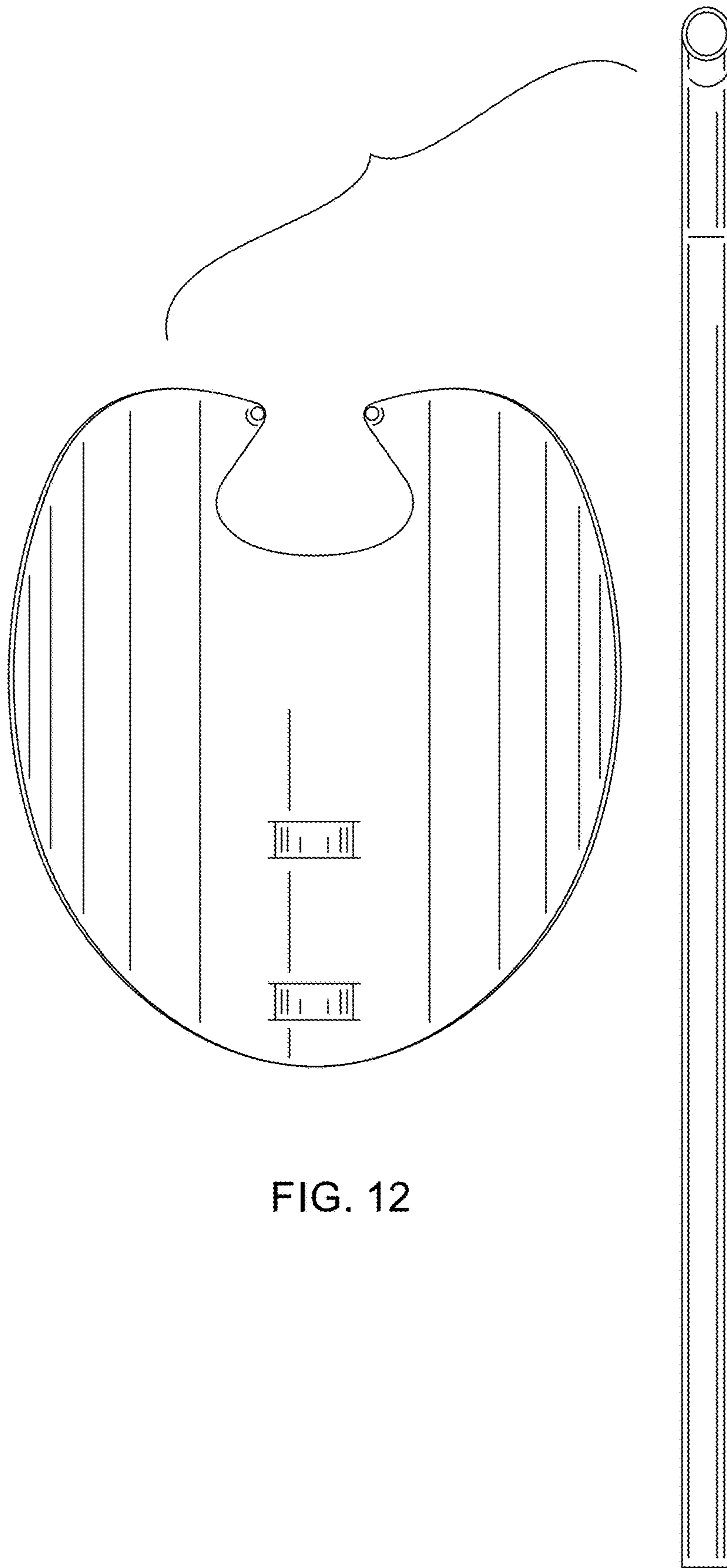
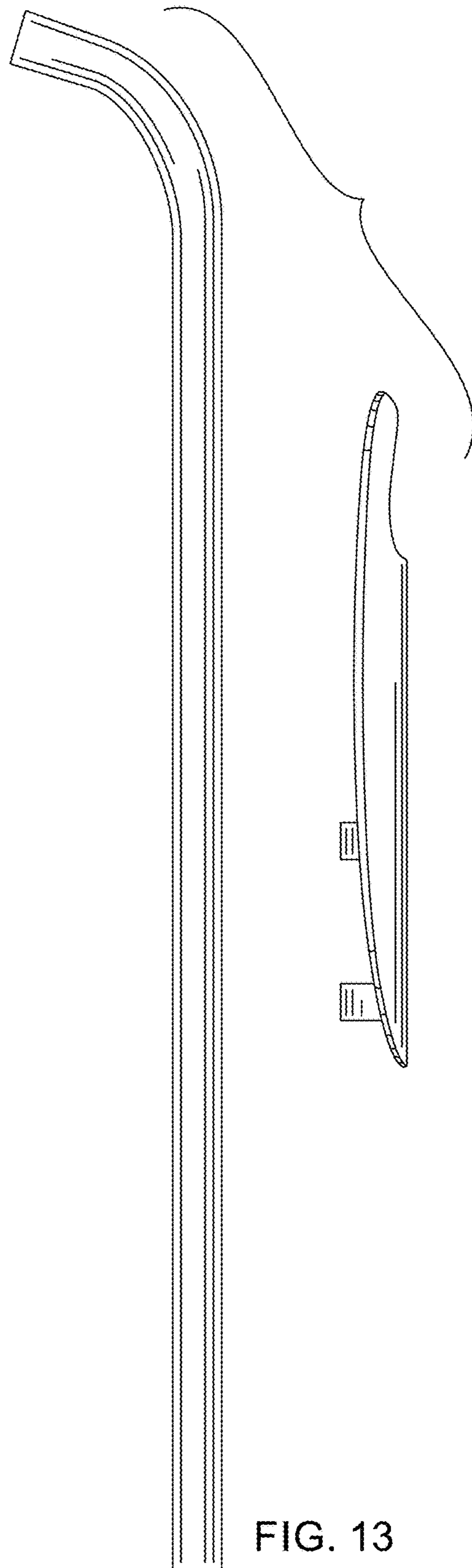


FIG. 12



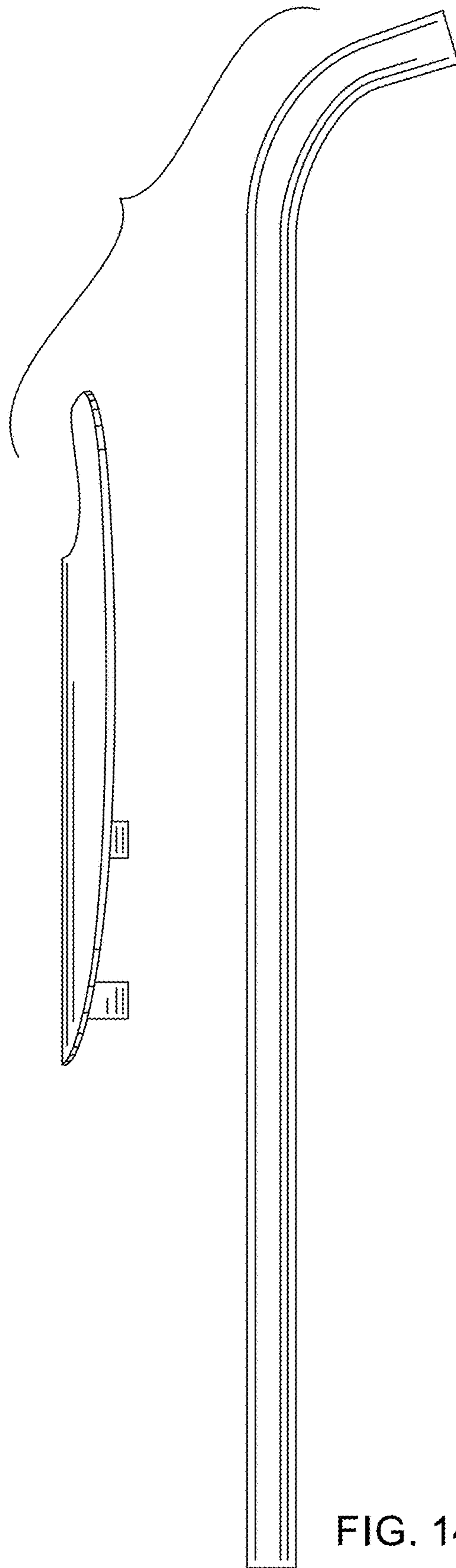


FIG. 14

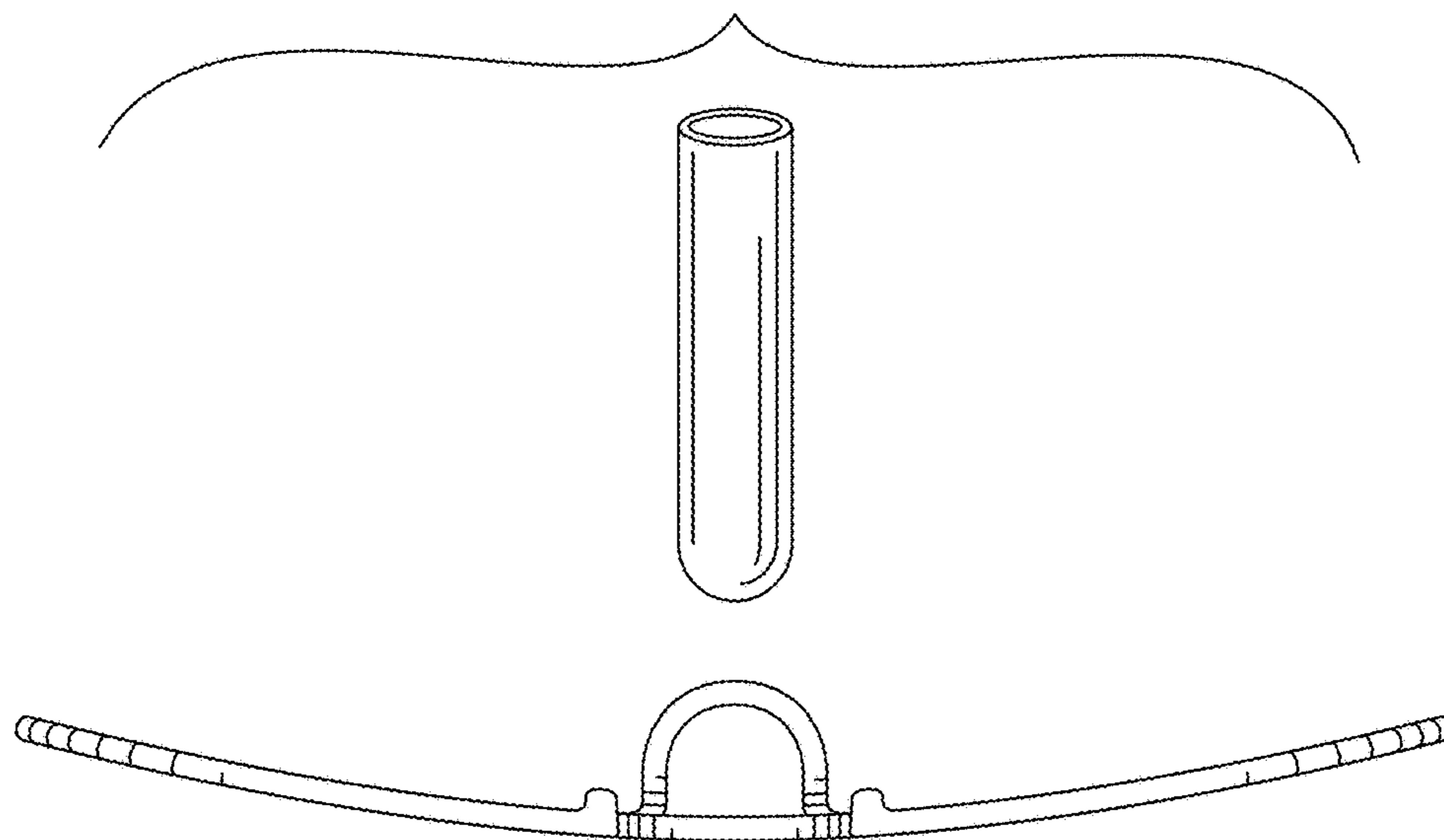


FIG. 15

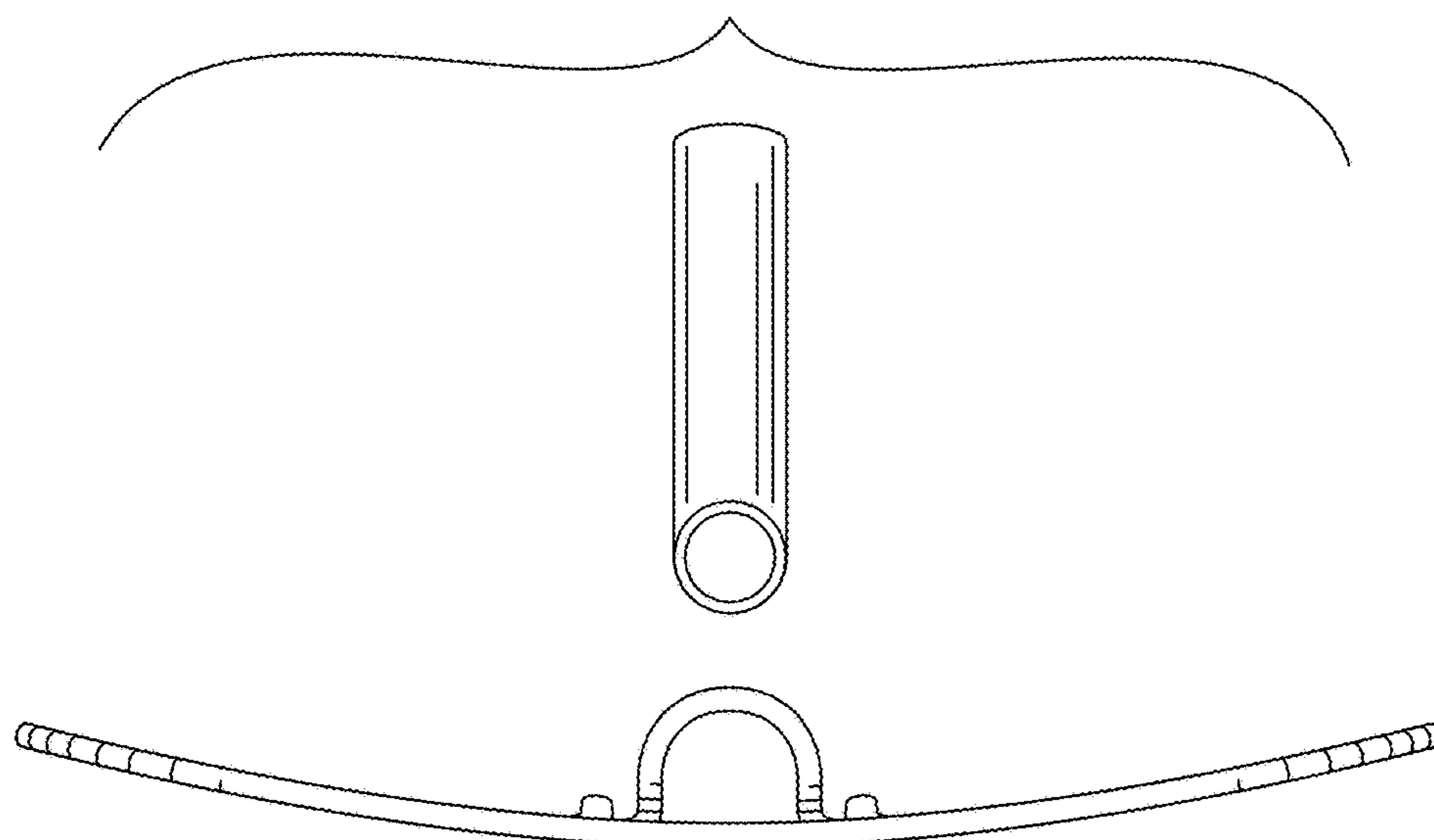


FIG. 16

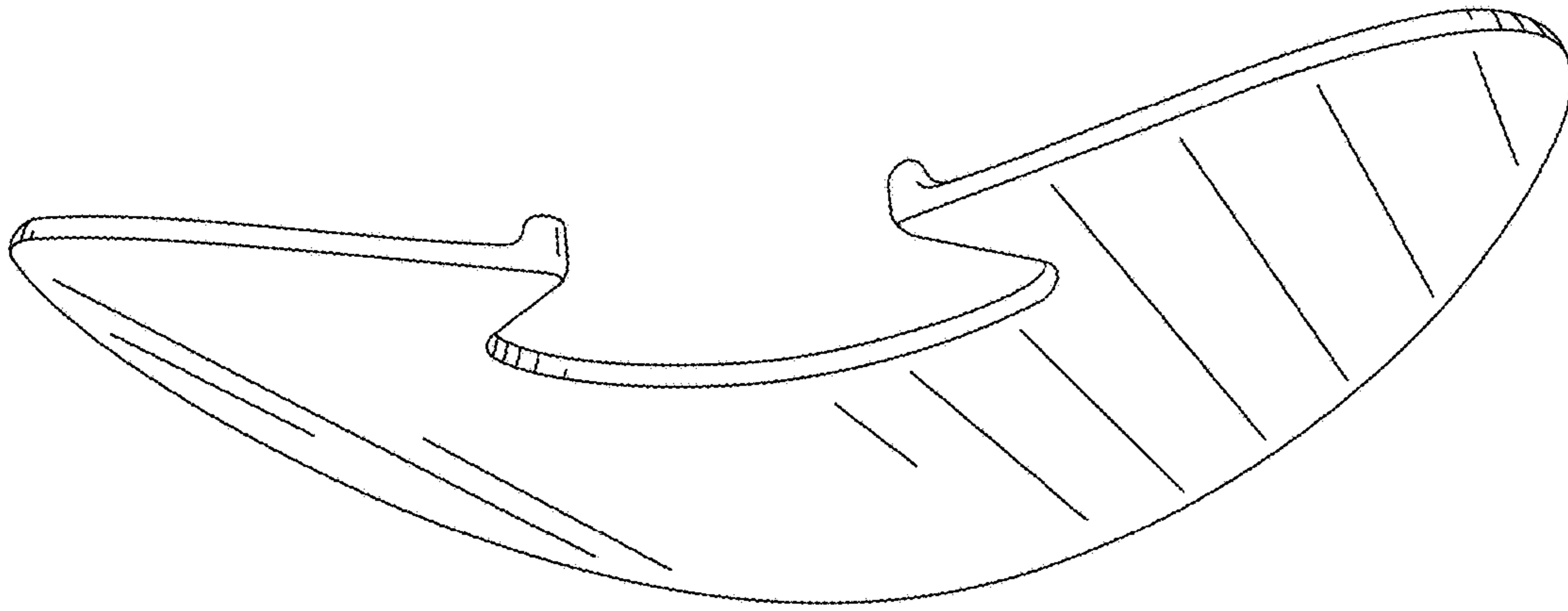


FIG. 17

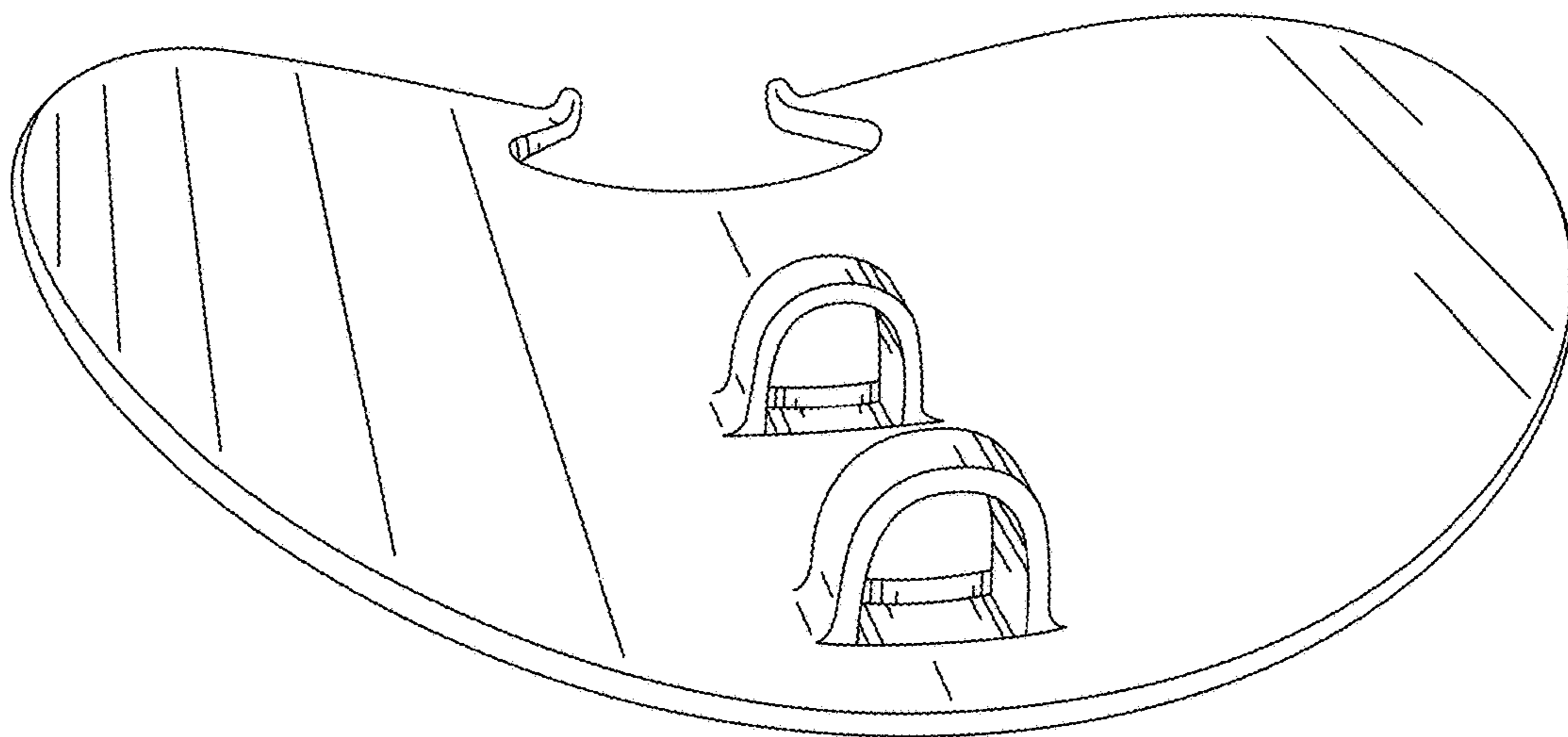


FIG. 18



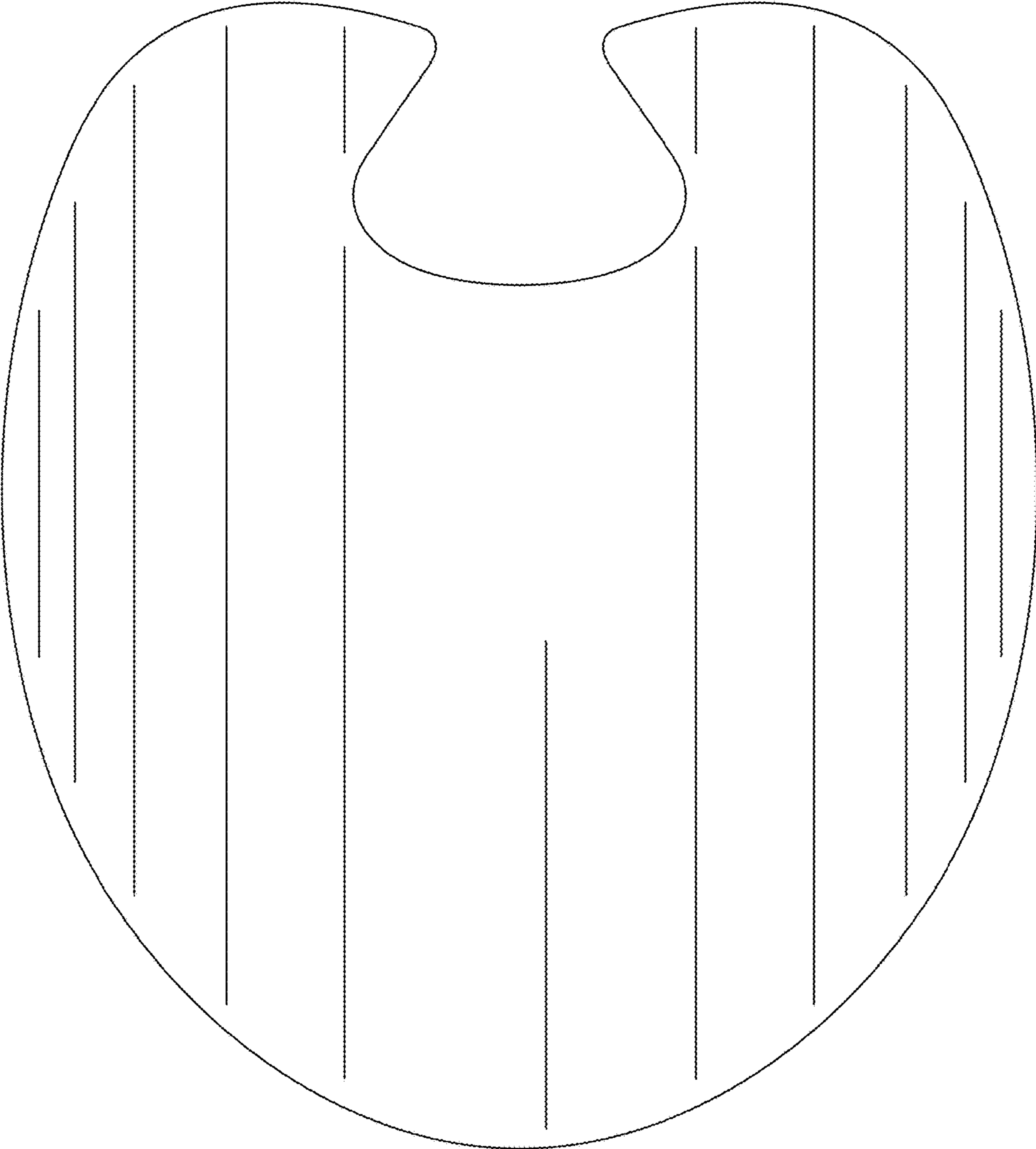


FIG. 19

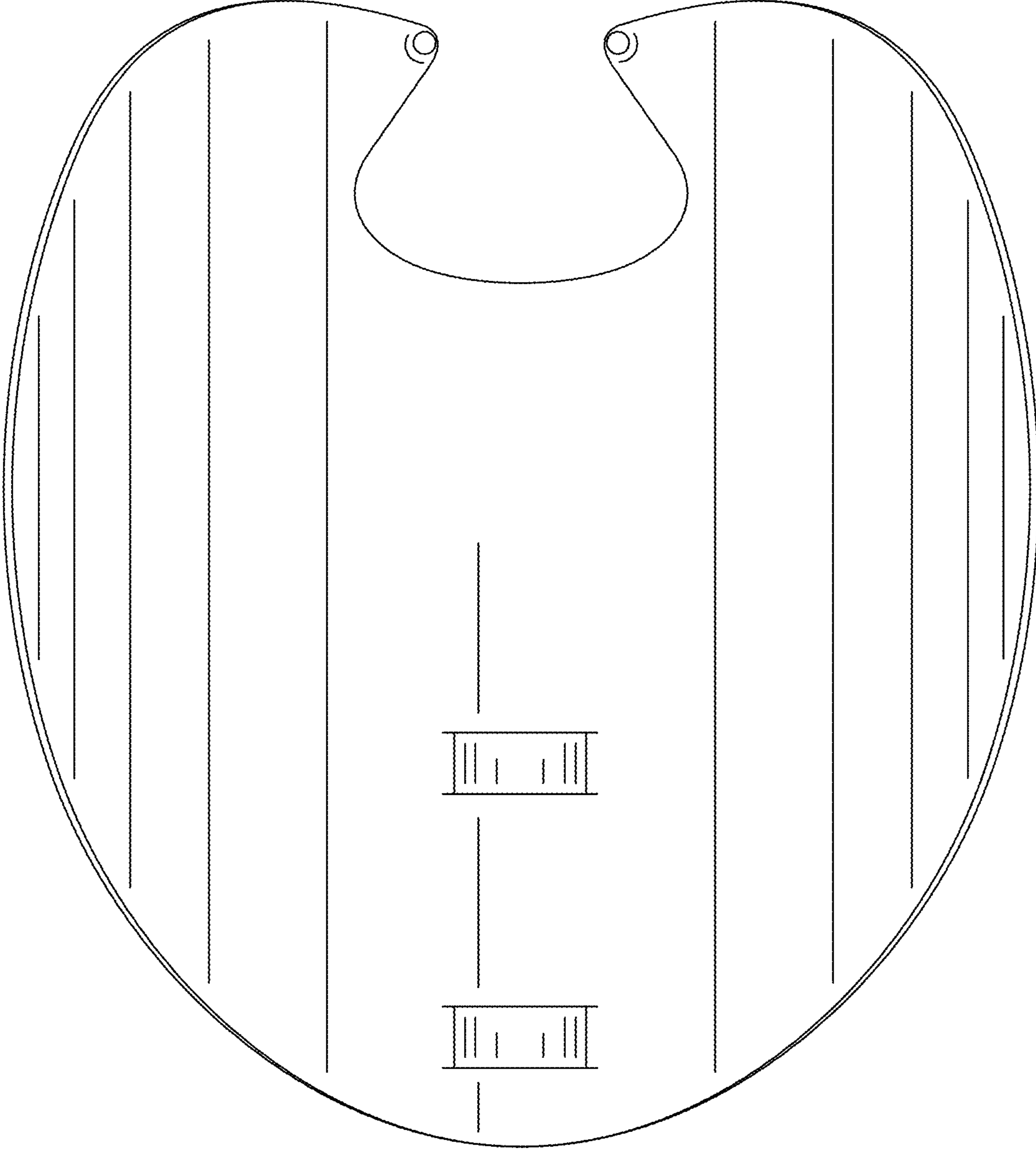


FIG. 20

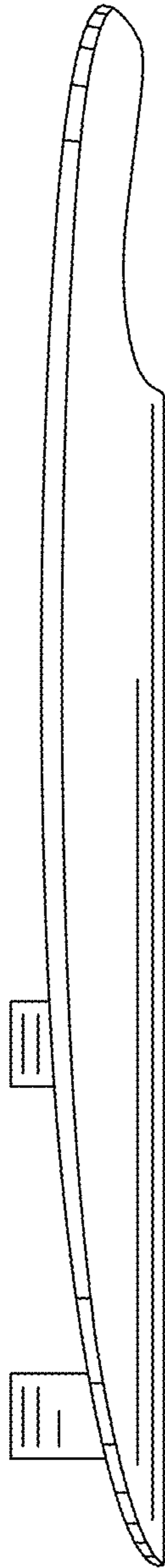


FIG. 21

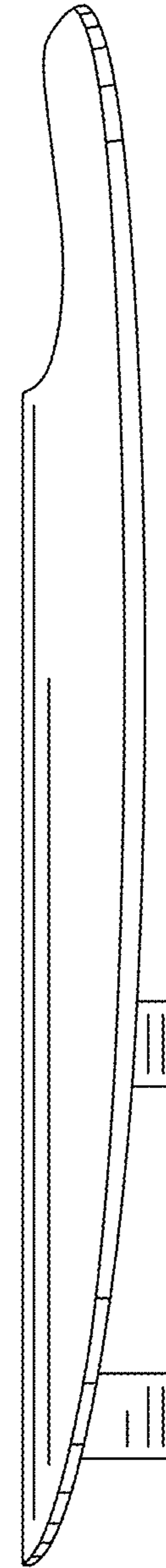


FIG. 22

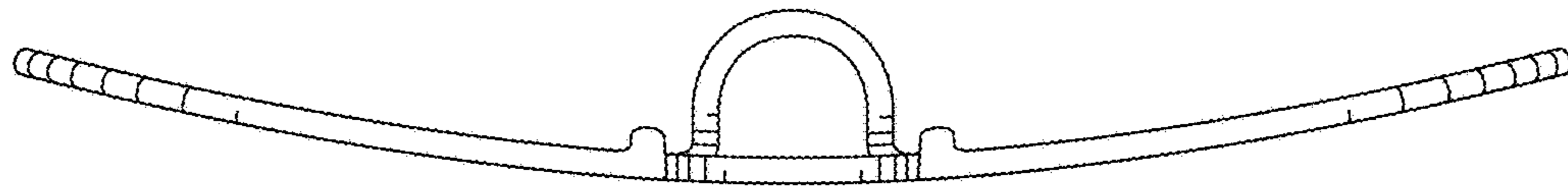


FIG. 23

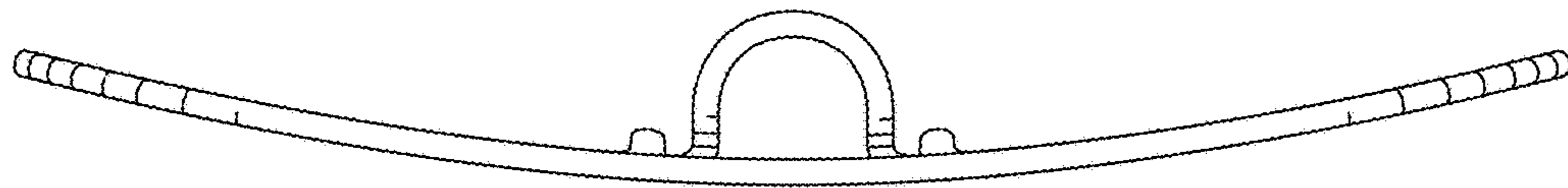


FIG. 24