



US00D813583S

(12) **United States Design Patent**
Furuland

(10) **Patent No.:** **US D813,583 S**
(45) **Date of Patent:** **** Mar. 27, 2018**

- (54) **INFANT BED SUN CANOPY**
- (71) Applicant: **Enfant Terrible Design AB**, Norrtälje (SE)
- (72) Inventor: **Lisa Furuland**, Norrtälje (SE)
- (73) Assignee: **Enfant Terrible Design AB**, Norrtälje (SE)
- (**) Term: **15 Years**
- (21) Appl. No.: **29/603,413**
- (22) Filed: **May 9, 2017**
- (51) **LOC (11) Cl.** **06-06**
- (52) **U.S. Cl.**
USPC **D6/718.29**
- (58) **Field of Classification Search**
USPC ... D6/382, 383, 389, 390, 391, 392, 718.29, D6/331, 333
CPC A47D 13/00; A47D 13/063; A47D 7/002; A47D 9/005; A47G 9/062; A47G 9/068; E04H 15/34; E04H 15/405
See application file for complete search history.

(56) **References Cited**

U.S. PATENT DOCUMENTS

- 2,626,407 A 1/1953 Kurry
 - 2,633,898 A 4/1953 Arthur
- (Continued)

FOREIGN PATENT DOCUMENTS

- AU 201212209 5/2012
 - CN 302886068 S 7/2014
- (Continued)

OTHER PUBLICATIONS

EquiptBaby bassinet, From Downriver to Downright Country blog, Jan. 29, 2015, site visited Apr. 13, 2017, available online <URL:https://fromdownrivertodownrightcountry.wordpress.com/page/3/>.*

PCT International Search Report and Written Opinion from PCT/IB2012/002888 dated Aug. 2, 2013.
Change Pad with Toy Bar, Babyhaven.com, reviewed May 6, 2013, site visited Jun. 16, 2017, available online <URL:https://www.babyhaven.com/summer-infant-change-pad-with-flower-flutter-toy-bar-girl.html>.

(Continued)

Primary Examiner — Cathron C Brooks

(74) *Attorney, Agent, or Firm* — Ward and Smith, P.A.; Ryan K. Simmons

(57) **CLAIM**

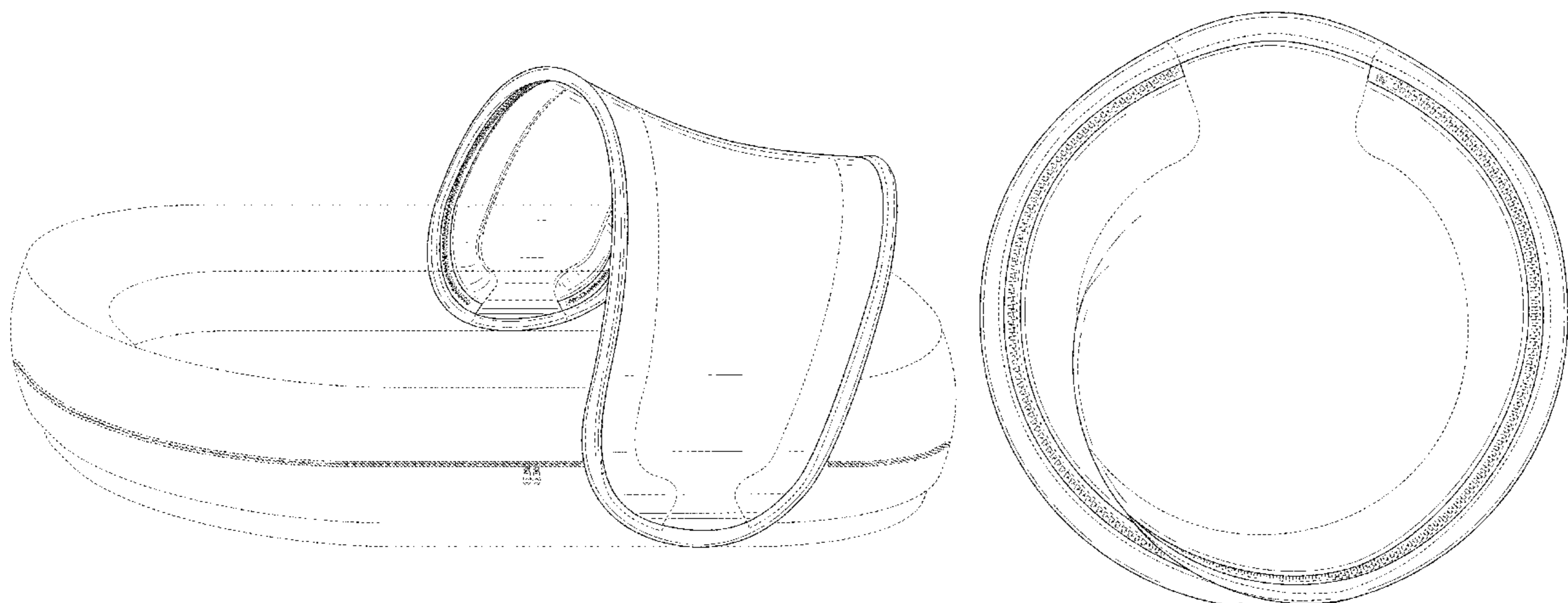
The ornamental design for an infant bed sun canopy, as shown and described.

DESCRIPTION

FIG. 1 is a perspective view of an infant bed sun canopy showing a new design;
 FIG. 2 is another perspective view thereof;
 FIG. 3 is a front view thereof;
 FIG. 4 is a back view thereof;
 FIG. 5 is a left side view, the right side being a mirror image;
 FIG. 6 is a top view thereof;
 FIG. 7 is a bottom view thereof;
 FIG. 8 is another bottom view thereof;
 FIG. 9 is a perspective view of the infant bed sun canopy of FIG. 1 showing a netting material deployed for environmental purposes;
 FIG. 10 is another perspective view thereof;
 FIG. 11 is a perspective view of the infant bed accessory of FIG. 1 in an uninstalled flat configuration;
 FIG. 12 is a top view thereof;
 FIG. 13 is a bottom view thereof;
 FIG. 14 is a perspective view of the infant bed accessory of FIG. 1 in an uninstalled folded configuration;
 FIG. 15 is a top view thereof; and,
 FIG. 16 is a bottom view thereof.

The dashed lines depicting the infant bed and the netting are included for the purpose of illustrating environment and form no part of the claimed design. The dashed lines shown on the sun canopy illustrate stitching and a zipper and form no part of the claimed design.

1 Claim, 16 Drawing Sheets



(56)

References Cited

U.S. PATENT DOCUMENTS

2,961,802 A * 11/1960 Mongan E04H 15/20
135/119

3,583,765 A 6/1971 Wallis

3,761,975 A 10/1973 Personett

4,043,349 A 8/1977 Gays

D263,192 S 3/1982 LeVan

4,383,713 A 5/1983 Roston

4,607,402 A 8/1986 Pollard

D288,757 S * 3/1987 Hoeckel D6/333

D298,768 S * 11/1988 Dwosh D21/838

4,788,726 A 12/1988 Rafalko

4,802,244 A 2/1989 McGrath-Saleh

4,810,030 A * 3/1989 Lewis A47C 7/66
135/96

4,972,864 A 11/1990 Almond

D317,232 S 6/1991 Vogtherr et al.

5,024,262 A * 6/1991 Huang B60J 11/08
160/329

5,035,013 A 7/1991 Bloom

5,056,172 A * 10/1991 Kaiser A47G 9/062
135/126

5,088,139 A 2/1992 Bloom

D325,836 S * 5/1992 Morton D12/133

5,137,333 A 8/1992 Chee

5,163,461 A * 11/1992 Ivanovich A01G 13/043
135/126

5,165,130 A 11/1992 Wendling

D333,389 S 2/1993 Saito et al.

5,242,338 A 9/1993 Hartdegen et al.

D341,407 S * 11/1993 McLeese D21/837

5,299,883 A 4/1994 Arth

5,337,772 A * 8/1994 Habchi E04H 15/40
135/125

5,392,785 A 2/1995 Donahue

5,448,790 A 9/1995 Saro et al.

5,519,906 A 5/1996 Fanto-Chan

5,551,109 A 9/1996 Tingley et al.

5,586,351 A 12/1996 Ive

D380,274 S 6/1997 Stamets

5,642,750 A 7/1997 Brown

D393,772 S 4/1998 Vingino

5,813,066 A 9/1998 Gebhard et al.

D400,949 S * 11/1998 Gale D21/834

D404,216 S * 1/1999 Gerhart D6/331

D404,597 S * 1/1999 Chavez D6/333

5,862,548 A * 1/1999 Gerhart A47D 13/06
135/117

D412,354 S * 7/1999 Takos D21/837

5,928,054 A 7/1999 Mast

5,930,854 A 8/1999 O'Neill

D415,919 S 11/1999 Porter

5,992,045 A * 11/1999 Kellogg F26B 25/18
160/370.21

6,014,837 A * 1/2000 Morgan A01G 13/0212
135/125

6,047,420 A 4/2000 Priester et al.

D426,091 S * 6/2000 White D6/333

6,073,283 A * 6/2000 Zheng A47G 9/062
5/417

D429,923 S * 8/2000 Meglino D6/715.2

6,109,282 A * 8/2000 Yoon E04H 15/40
135/124

6,170,100 B1 * 1/2001 Le Gette A47G 9/062
297/219.1

D450,516 S 11/2001 Darling

6,356,439 B1 * 3/2002 Schmidt G06F 1/1603
135/117

6,357,462 B1 3/2002 Laosunthara et al.

6,357,510 B1 * 3/2002 Zheng A63B 9/00
135/143

D465,585 S 11/2002 Venegas

6,505,366 B1 1/2003 Lied

6,536,058 B1 3/2003 Chang

6,571,410 B2 * 6/2003 Zheng A47G 9/062
5/417

6,588,036 B1 7/2003 Hort

6,594,840 B2 * 7/2003 Tomas A47D 9/00
5/101

6,701,547 B2 3/2004 Hsia

6,810,545 B1 11/2004 Darling et al.

6,851,136 B2 * 2/2005 Brereton A47D 9/005
135/126

6,901,940 B2 * 6/2005 Zheng E04H 15/40
135/126

7,048,333 B2 * 5/2006 Martinez A47C 7/66
135/126

D534,615 S * 1/2007 van Aalst D21/834

7,225,822 B1 * 6/2007 Zheng E04H 15/40
135/117

7,234,199 B2 6/2007 Bushey

7,302,724 B2 12/2007 Solomon et al.

7,404,219 B2 7/2008 Berkey

7,588,291 B2 9/2009 Gold et al.

D602,266 S * 10/2009 Hagstrom D6/333

7,676,871 B1 3/2010 Leach

7,766,367 B2 8/2010 Dotsey et al.

7,926,135 B1 4/2011 Leach

8,024,829 B2 9/2011 Carr et al.

D646,741 S * 10/2011 Akaka D21/837

D652,712 S 1/2012 Bushey

D655,518 S * 3/2012 Sclare D6/333

D666,843 S 9/2012 Furuland

D673,789 S 1/2013 Furuland

D673,790 S 1/2013 Furuland

D673,791 S 1/2013 Furuland

D677,910 S 3/2013 Shaw

8,419,128 B1 4/2013 Leach

8,458,830 B1 6/2013 Pierce et al.

8,555,429 B2 10/2013 Leach

8,667,626 B2 3/2014 Zheng

D716,896 S 11/2014 Blackwood

8,882,557 B2 11/2014 Fair

9,464,646 B2 10/2016 Burns et al.

D774,879 S 12/2016 Martinson

9,644,390 B1 * 5/2017 Garvens E04H 15/02

2003/0093859 A1 5/2003 Roudebush

2004/0064887 A1 4/2004 Cheng

2005/0076444 A2 4/2005 Houghteling

2005/0155155 A1 7/2005 Kassai et al.

2005/0172408 A1 8/2005 Temple

2005/0172411 A1 8/2005 Snedeker

2005/0210591 A1 9/2005 Mead et al.

2006/0026766 A1 2/2006 Brewin

2006/0117478 A1 * 6/2006 Cheung A47C 29/006
5/99.1

2007/0245494 A1 10/2007 Dockendorf

2007/0256242 A1 11/2007 Warnock

2008/0040854 A1 2/2008 Lorentz

2008/0182477 A1 7/2008 Catelli

2008/0213039 A1 9/2008 Chen et al.

2009/0083908 A1 4/2009 Fry

2009/0151080 A1 6/2009 Lord

2009/0205140 A1 8/2009 Reese et al.

2009/0222993 A1 9/2009 Villanueva et al.

2011/0119833 A1 5/2011 Clark

2011/0191956 A1 8/2011 Rabess et al.

2011/0277210 A1 11/2011 Hardesty

2012/0261962 A1 10/2012 Huntsberger et al.

2013/0111661 A1 5/2013 Furuland

2014/0259359 A1 9/2014 Yaari et al.

2014/0273719 A1 9/2014 Weisman

2015/0330549 A1 11/2015 Drane

2016/0324324 A1 * 11/2016 Wilkerson
Altonen E04H 15/40

2017/0013970 A1 1/2017 Furuland

FOREIGN PATENT DOCUMENTS

DE 20007258 U1 10/2000

DE 20203973 U1 7/2002

EM 001681040-0001 3/2010

(56)

References Cited

FOREIGN PATENT DOCUMENTS

EM	002038208-0001	5/2012
FR	2911776 A1	8/2008
HK	1200881.1	5/2012
SE	20080586	8/2009

OTHER PUBLICATIONS

Mombo Play Toy Bar, Diary of a Working Mom, Mar. 14, 2014, site visited Jun. 16, 2017, available online <URL:<http://www.diaryofaworkingmom.com/2014/03/14/comfort-harmony-mombo-toy-bar-review/>>.

* cited by examiner

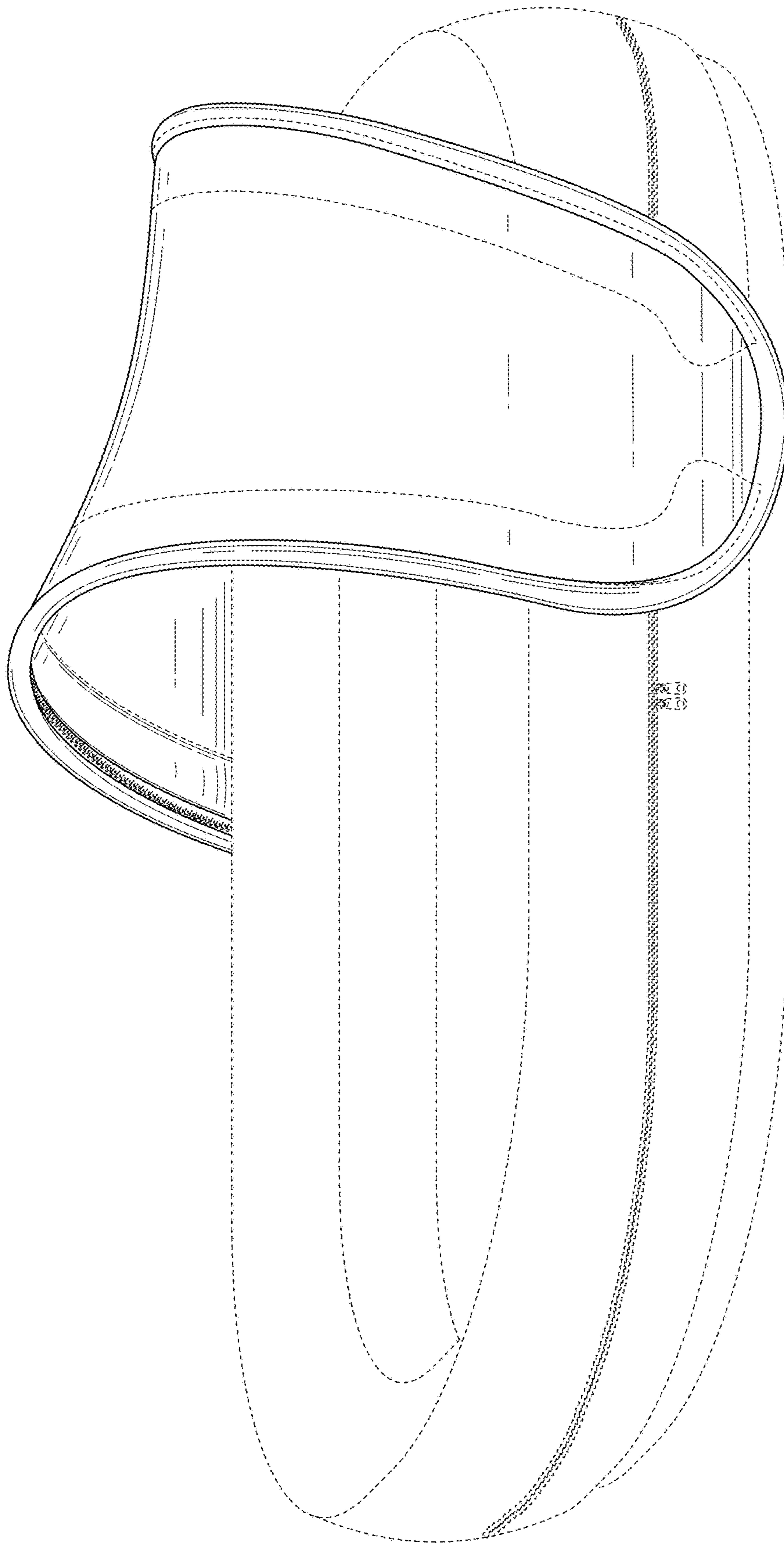


FIG. 1

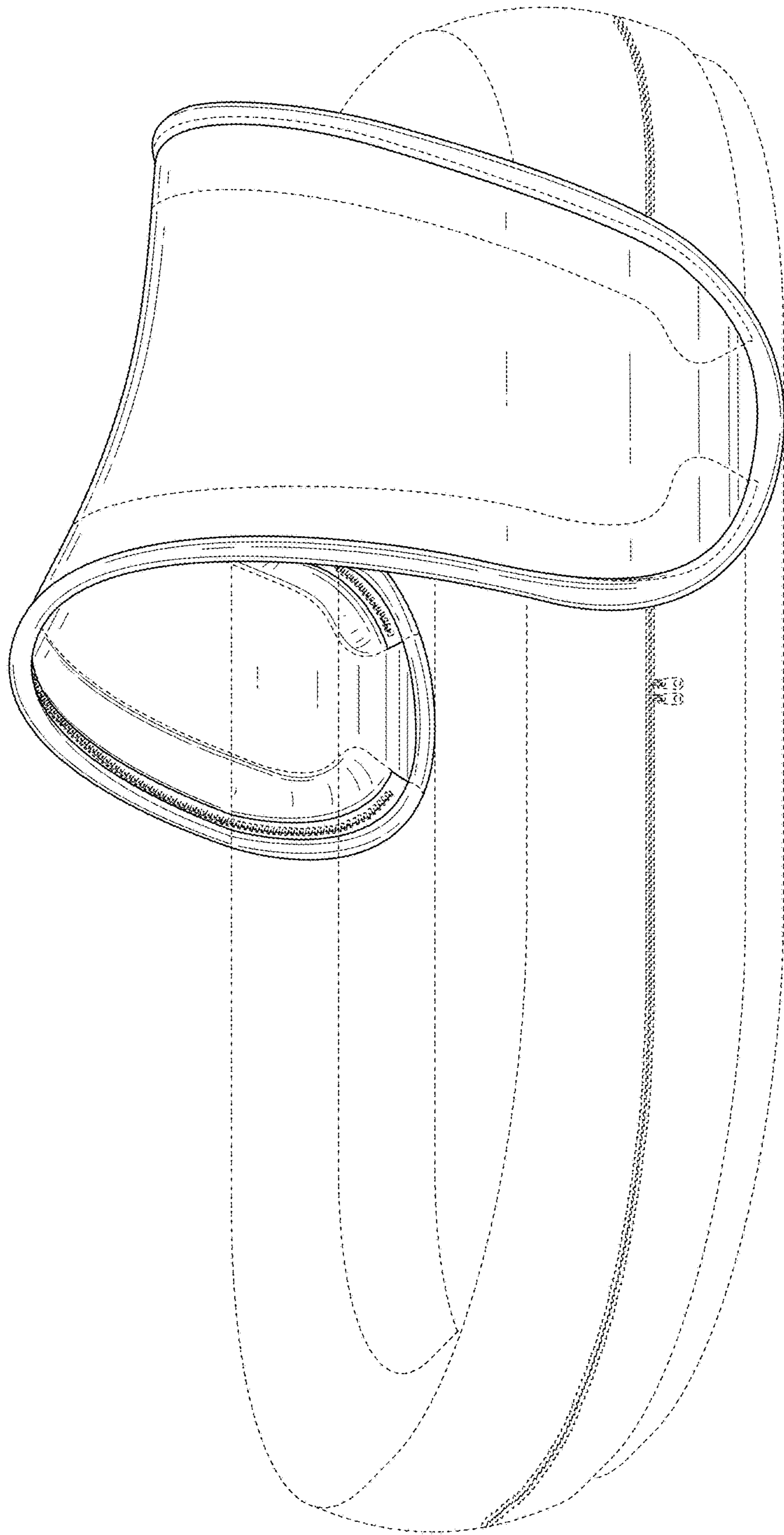


FIG. 2

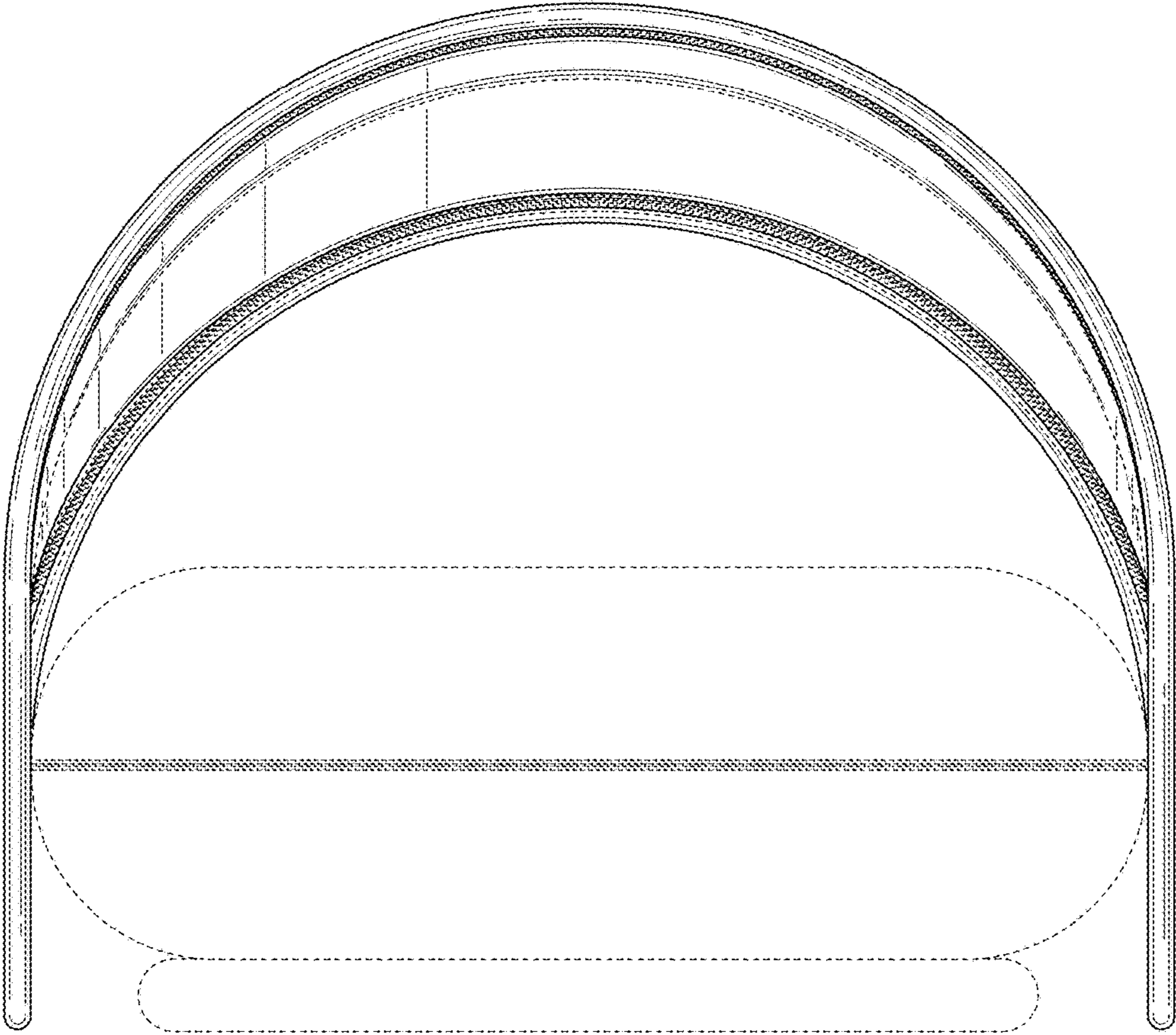


FIG. 3

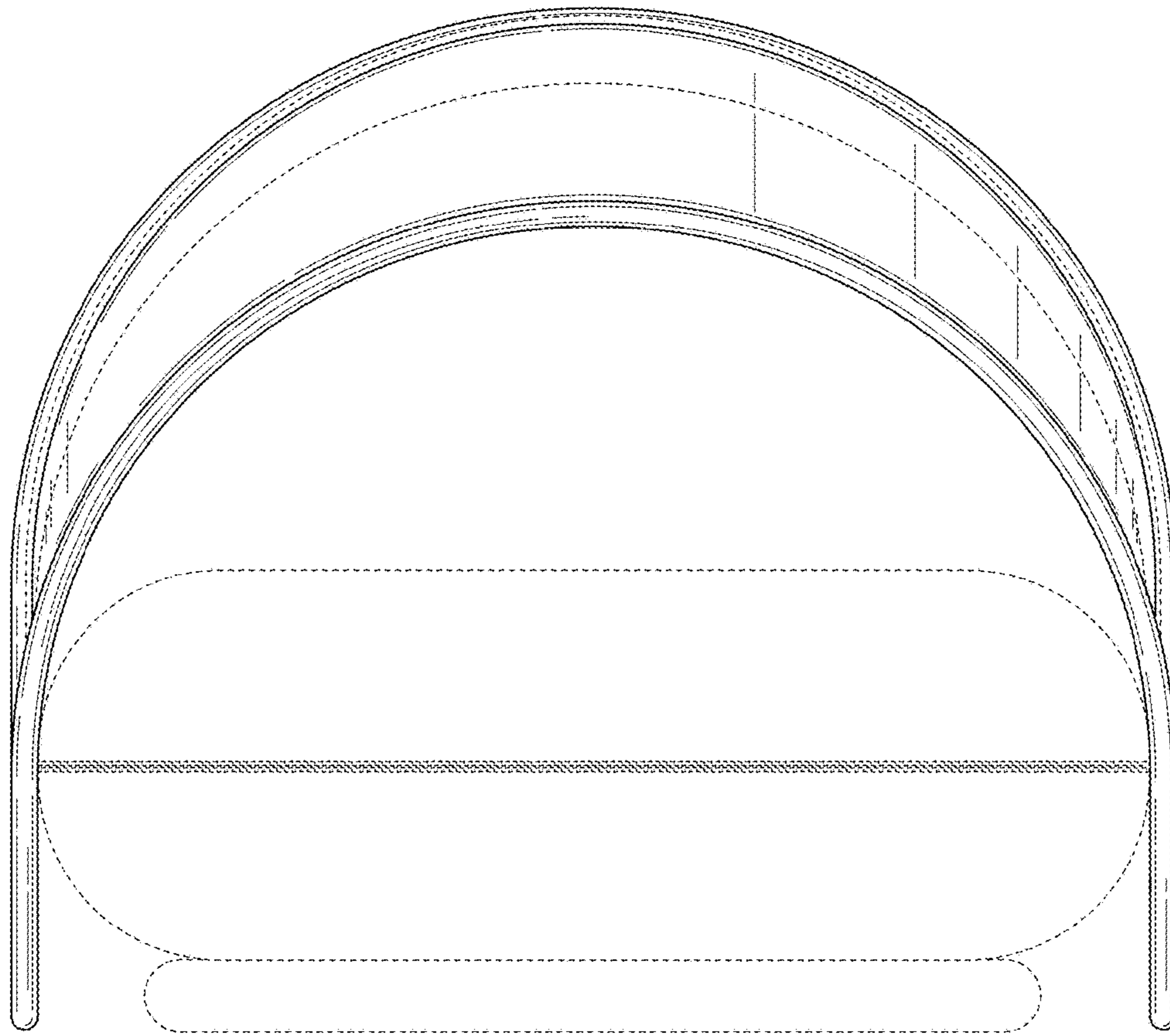


FIG. 4

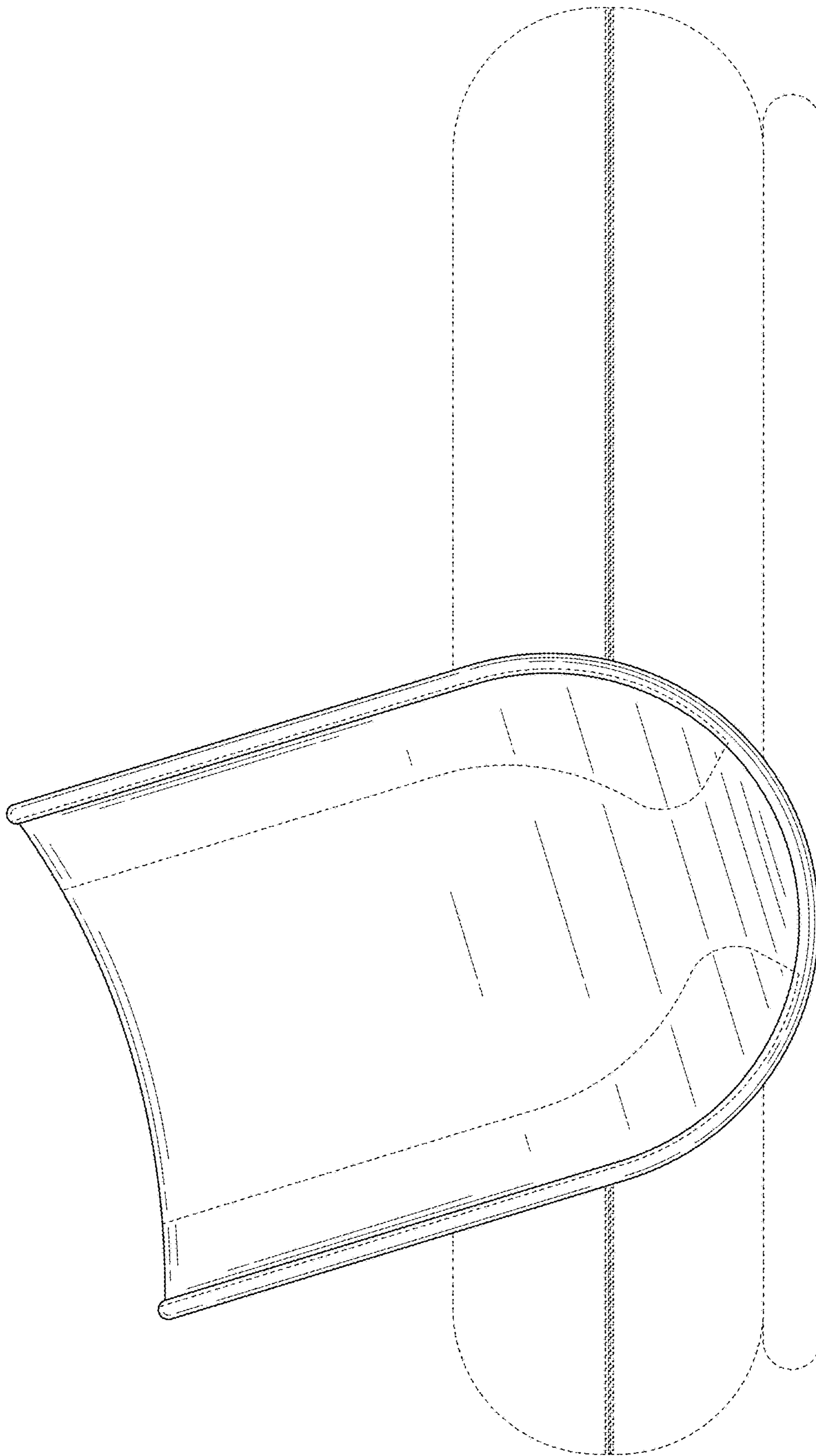


FIG. 5

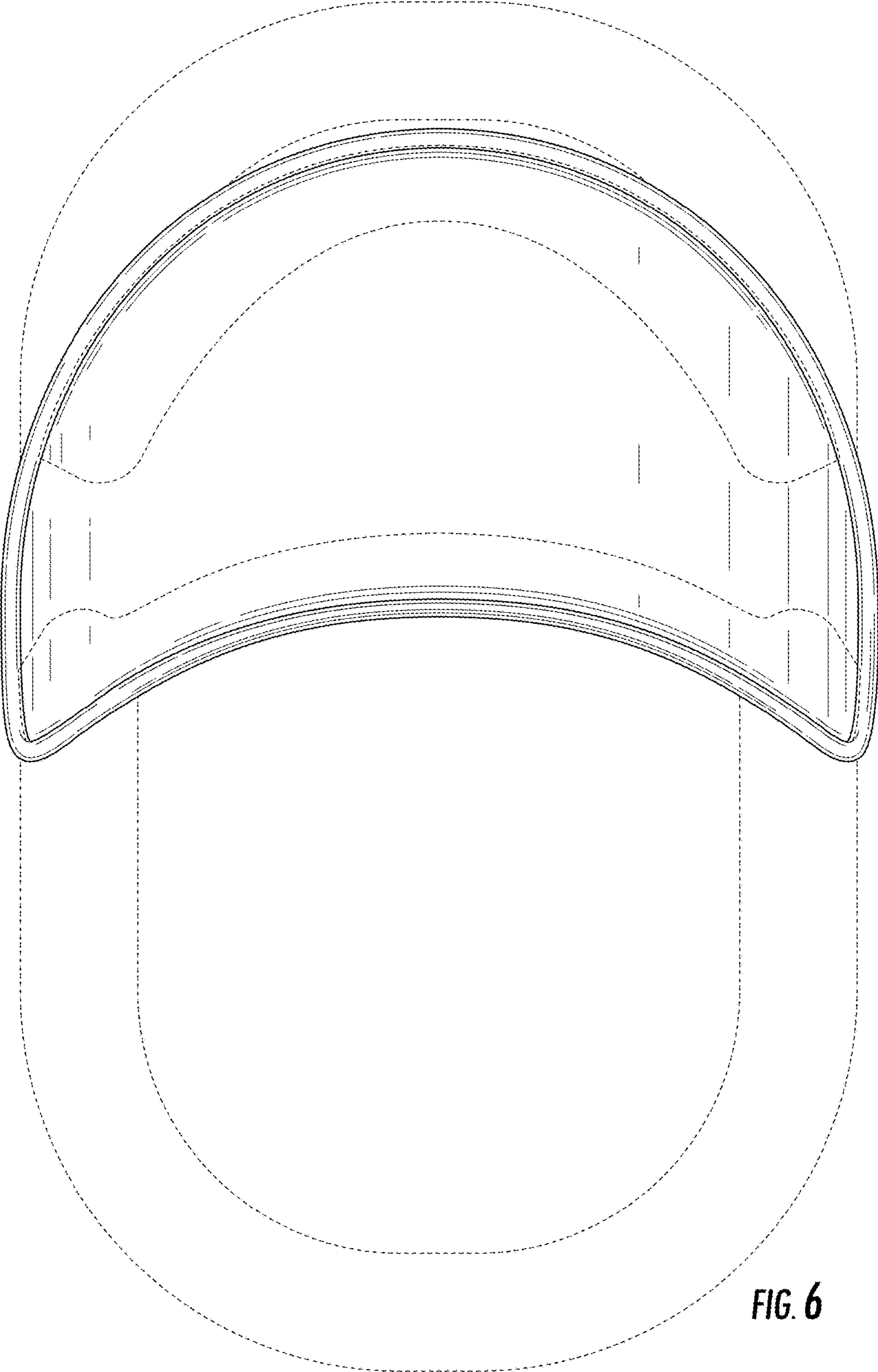


FIG. 6

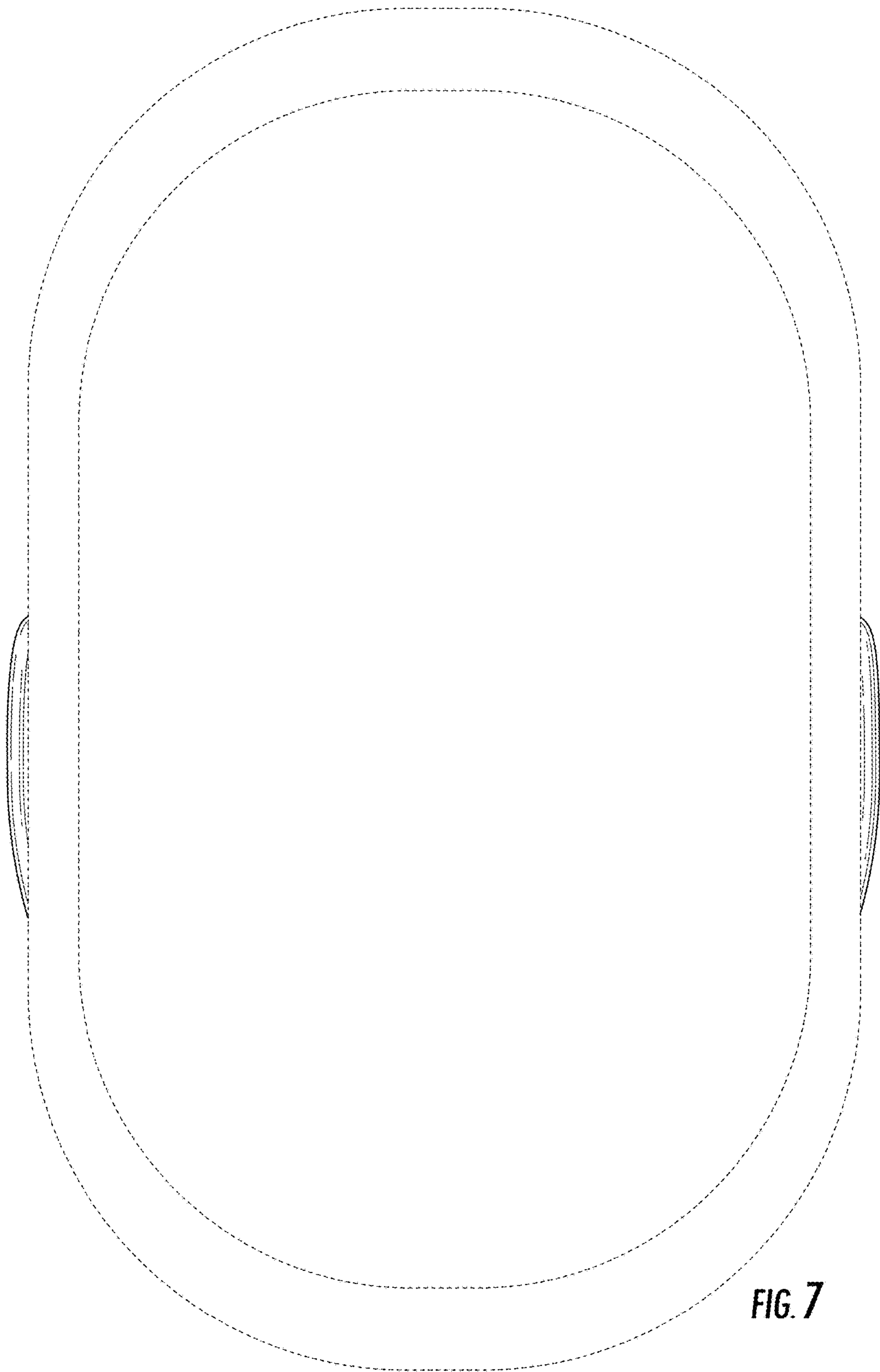


FIG. 7

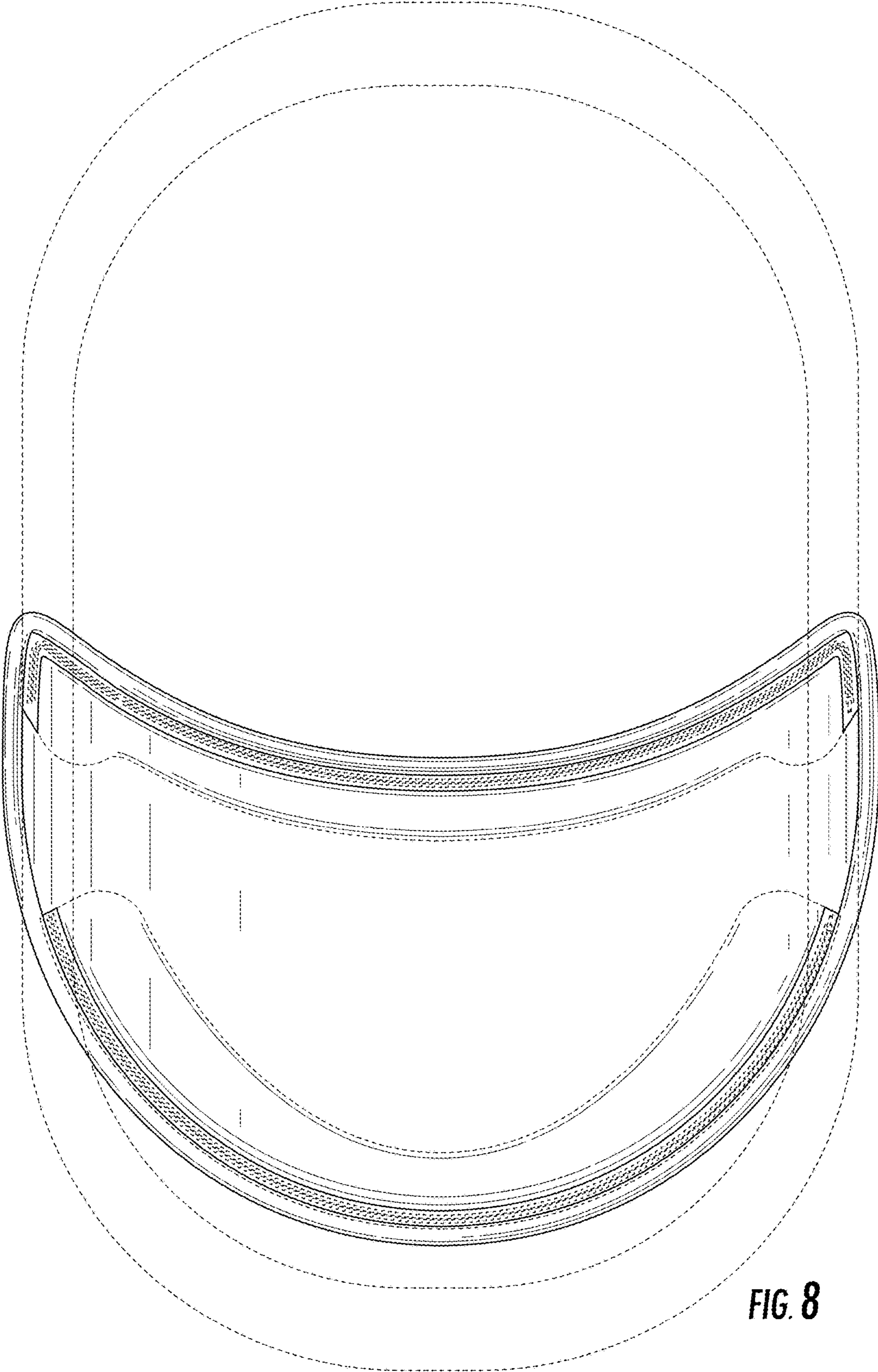


FIG. 8

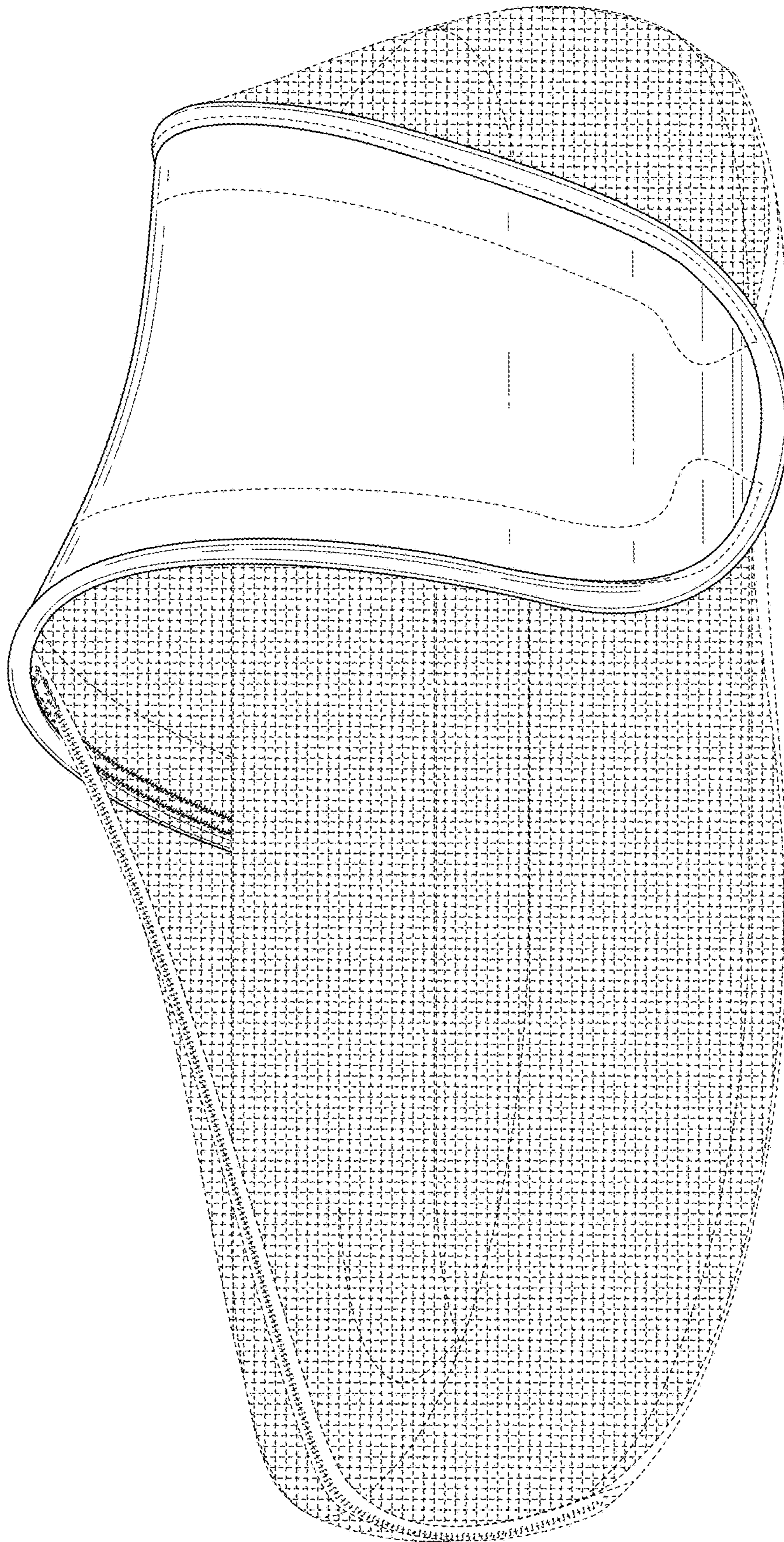


FIG. 9

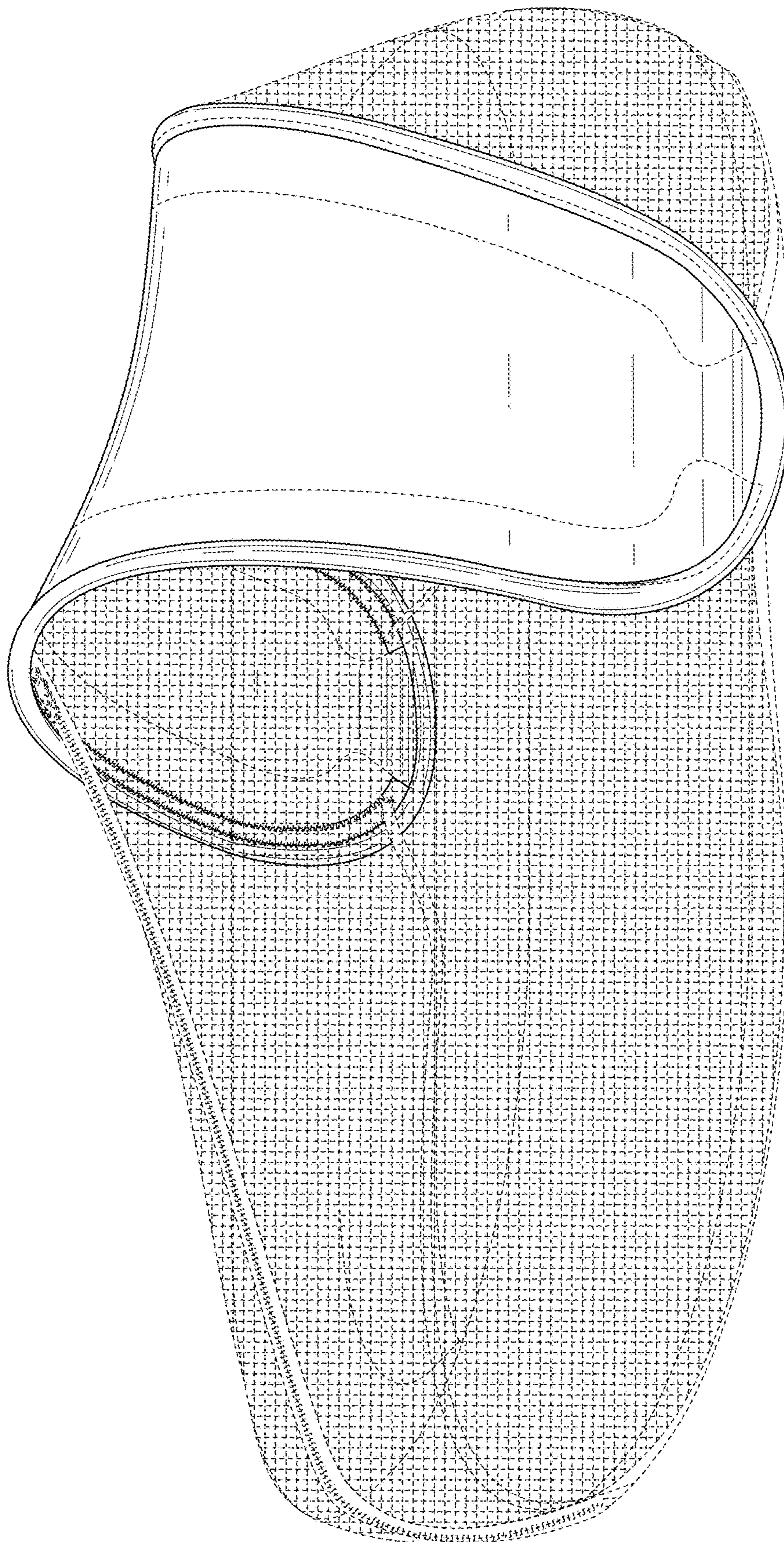


FIG. 10

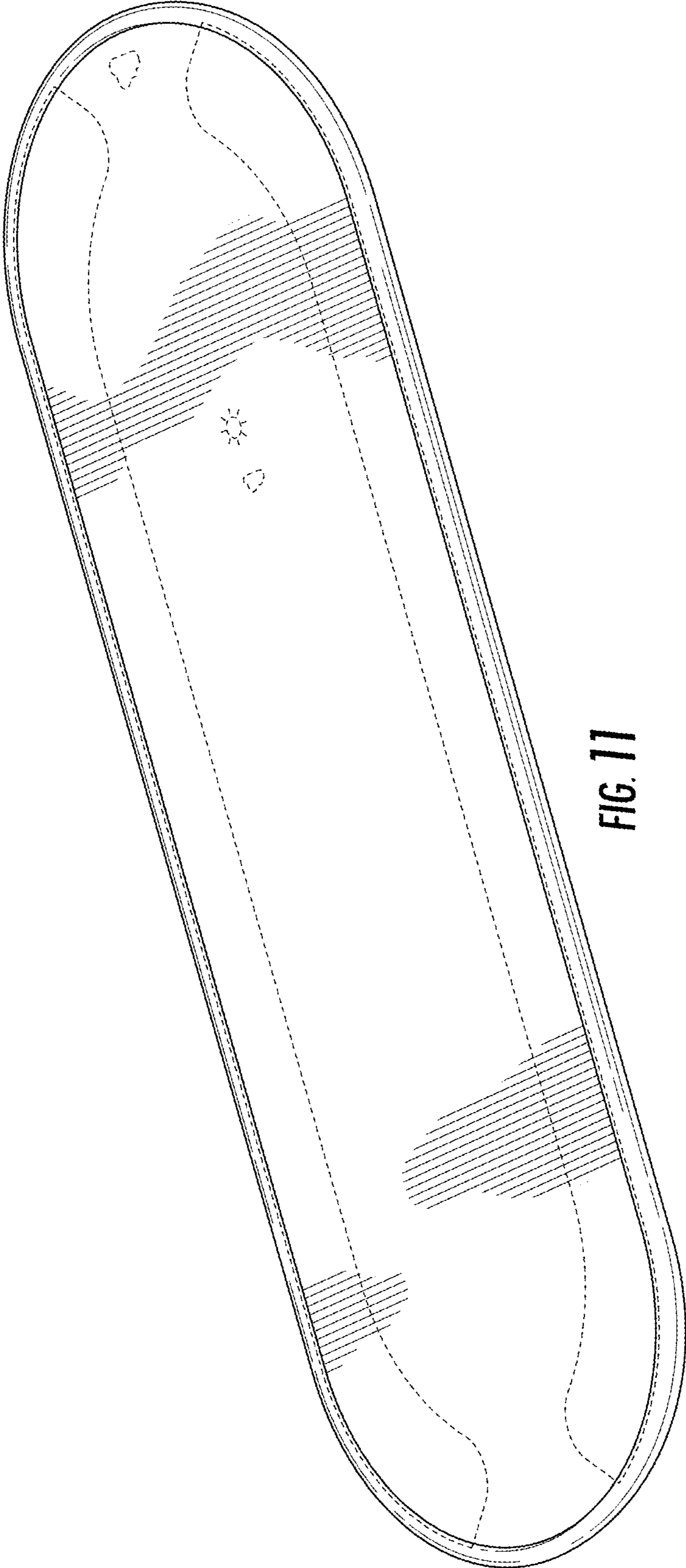


FIG. 11

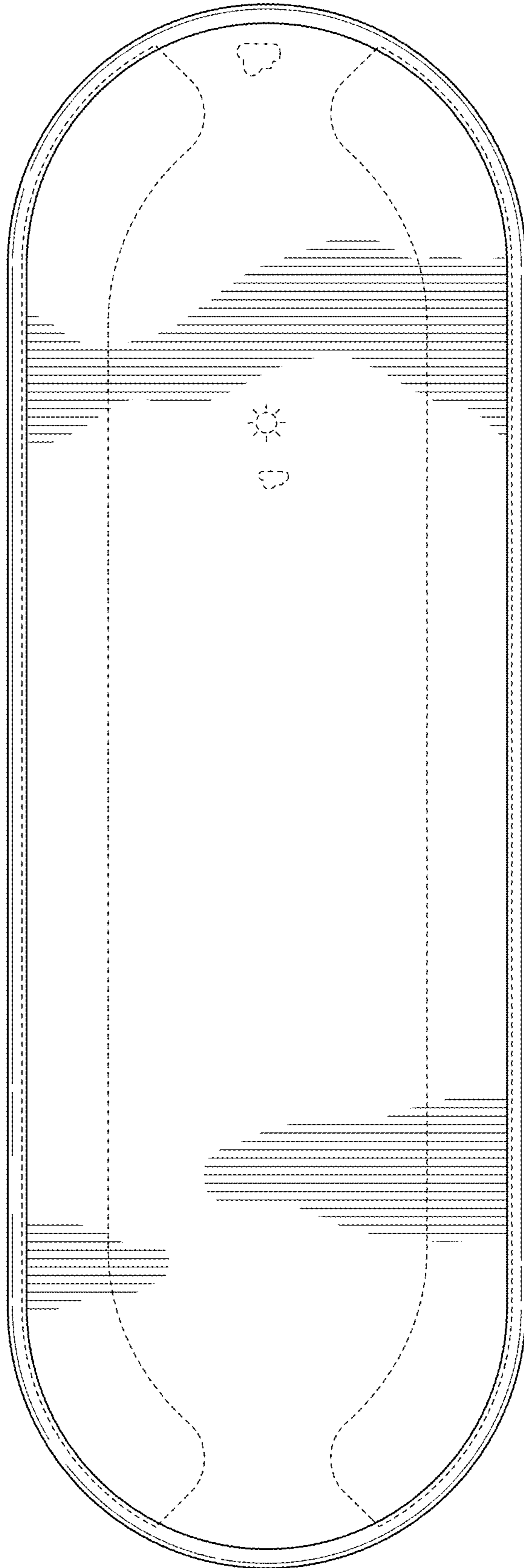


FIG. 12

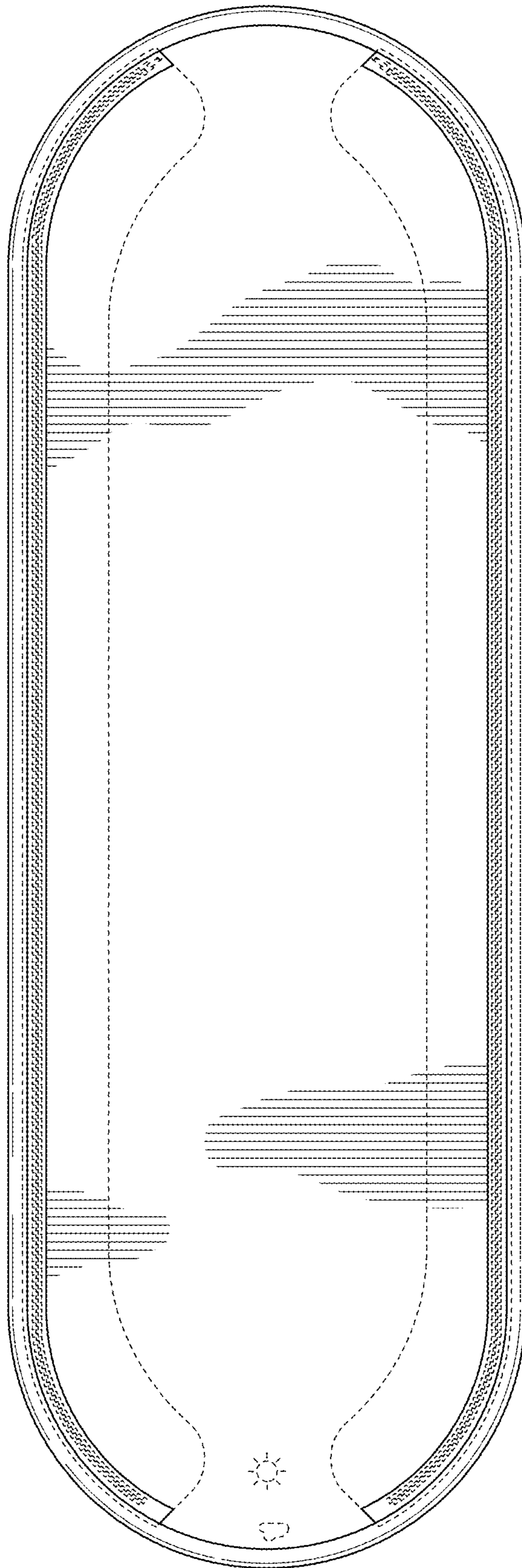


FIG. 13

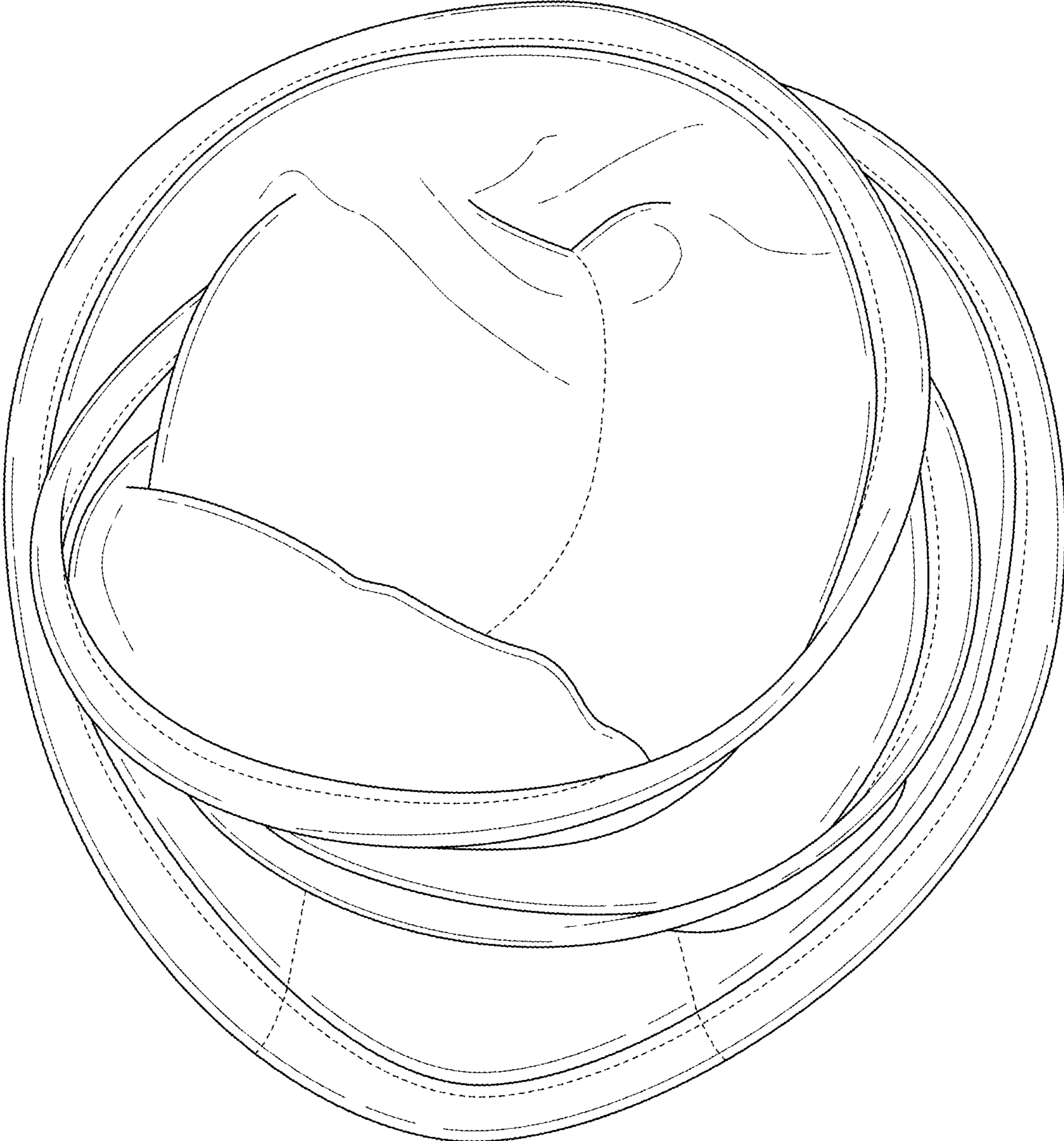


FIG. 14

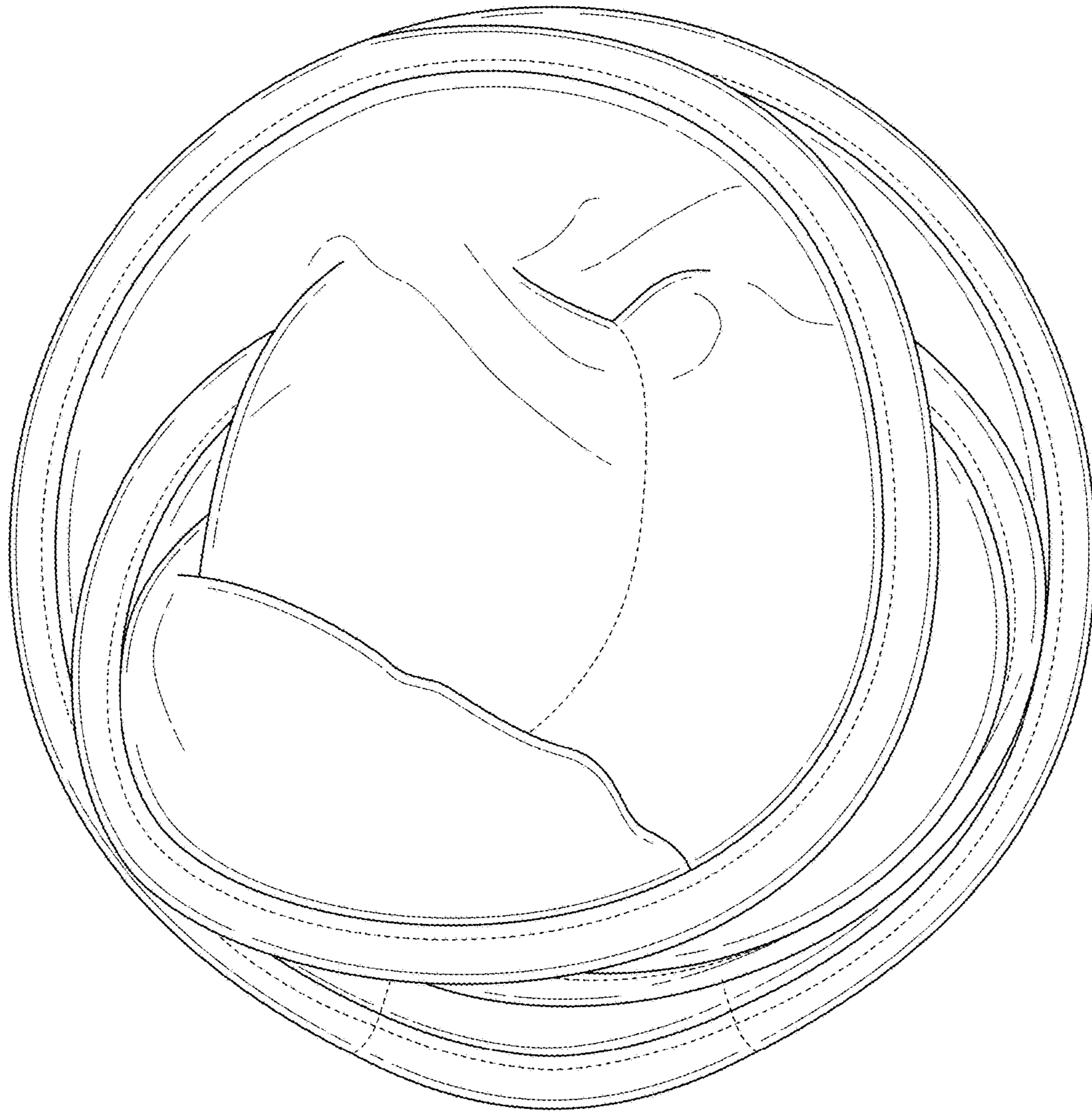


FIG. 15

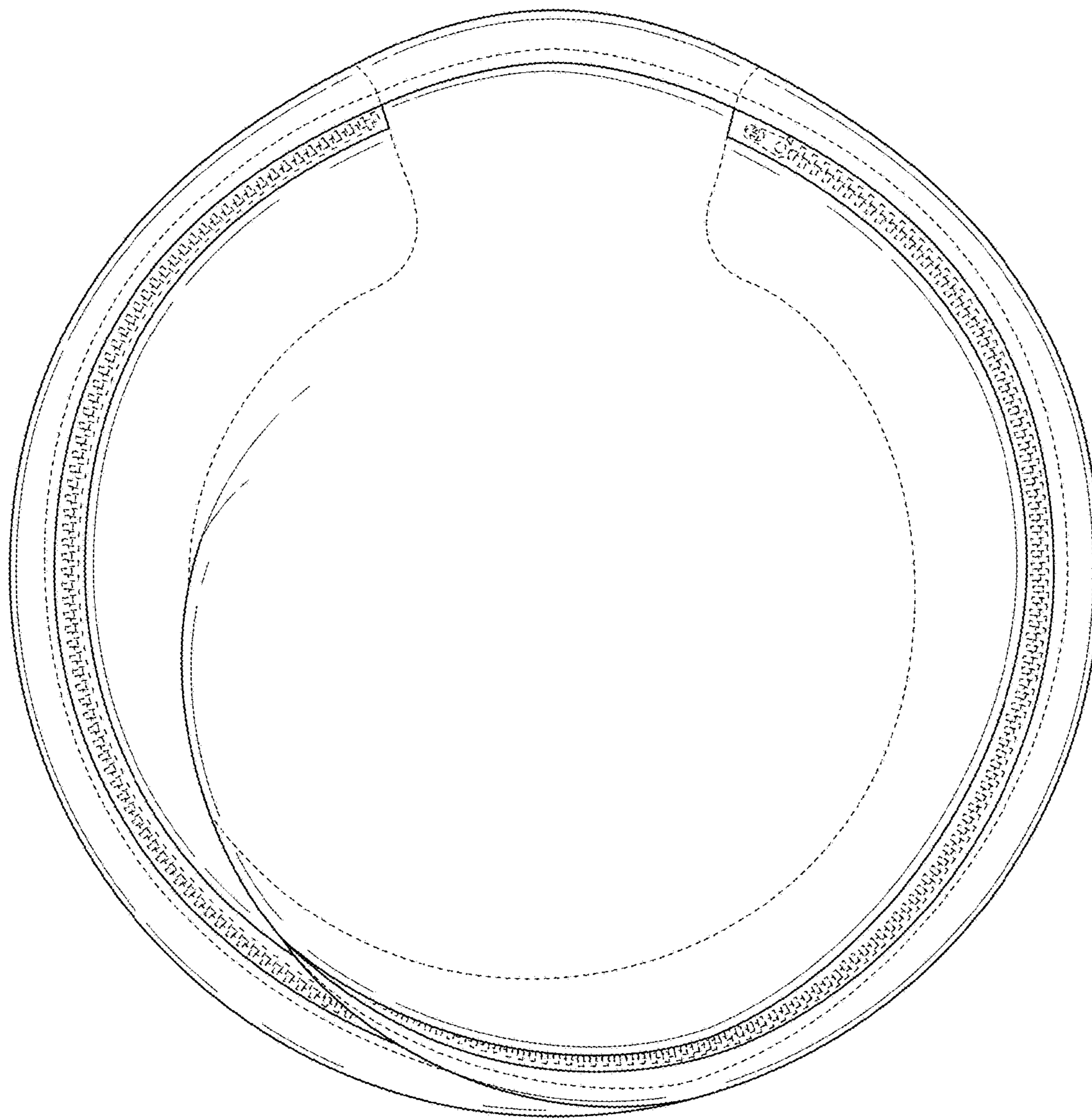


FIG. 16