



US00D813582S

(12) **United States Design Patent** (10) **Patent No.:** **US D813,582 S**  
**Dassen et al.** (45) **Date of Patent:** **\*\* Mar. 27, 2018**

(54) **ARM FOR A CHAIR**  
(71) Applicant: **Haworth, Inc.**, Holland, MI (US)  
(72) Inventors: **Arne Dassen**, Holland, MI (US); **Peng Zhan**, Grand Rapids, MI (US); **Rodger Eich**, Holland, MI (US)  
(73) Assignee: **Haworth, Inc.**, Holland, MI (US)  
(\*\*) Term: **15 Years**  
(21) Appl. No.: **29/584,135**

D308,772 S \* 6/1990 Frnier ..... D6/379  
D341,033 S \* 11/1993 Schwartz ..... D6/370  
D358,041 S \* 5/1995 Watts ..... D6/379  
D372,596 S \* 8/1996 Reinhard ..... D6/379  
D409,408 S \* 5/1999 James ..... D6/379  
D413,028 S \* 8/1999 Kaiser ..... D6/373  
D424,843 S \* 5/2000 Chalmers ..... D6/379  
D425,720 S \* 5/2000 Smith ..... D6/379  
D473,061 S \* 4/2003 Goodman ..... D6/379  
D538,078 S \* 3/2007 Egger ..... D6/373  
D542,046 S \* 5/2007 Pesso ..... D6/379  
D543,373 S \* 5/2007 Schweikarth ..... D6/379  
D547,083 S \* 7/2007 Wang ..... D6/375  
D547,964 S \* 8/2007 Olano ..... D6/379

(Continued)

(22) Filed: **Nov. 11, 2016**  
(51) **LOC (11) Cl.** ..... **06-01**  
(52) **U.S. Cl.**  
USPC ..... **D6/716.3**; D6/379  
(58) **Field of Classification Search**  
USPC ..... D6/379, 334-336, 369, 370, 371-373,  
D6/374, 375, 376, 380, 381, 716.3;  
297/232, 239, 411.42, 411.43, 445.1,  
297/446.1, 448.1, 448.2, 452.63  
CPC ..... E04B 1/4178; E04B 1/7616; B60N 2/309;  
B60N 2/3065  
See application file for complete search history.

OTHER PUBLICATIONS

Haworth.com, Atwell chair, Dec. 20, 2017, <http://www.haworth.com/products/seating/lounge-chairs/atwell>.\*

*Primary Examiner* — David Muller  
*Assistant Examiner* — Nathan Johnston  
(74) *Attorney, Agent, or Firm* — Warner Norcross & Judd LLP

(57) **CLAIM**

The ornamental design for an arm for a chair, as shown and described.

(56) **References Cited**

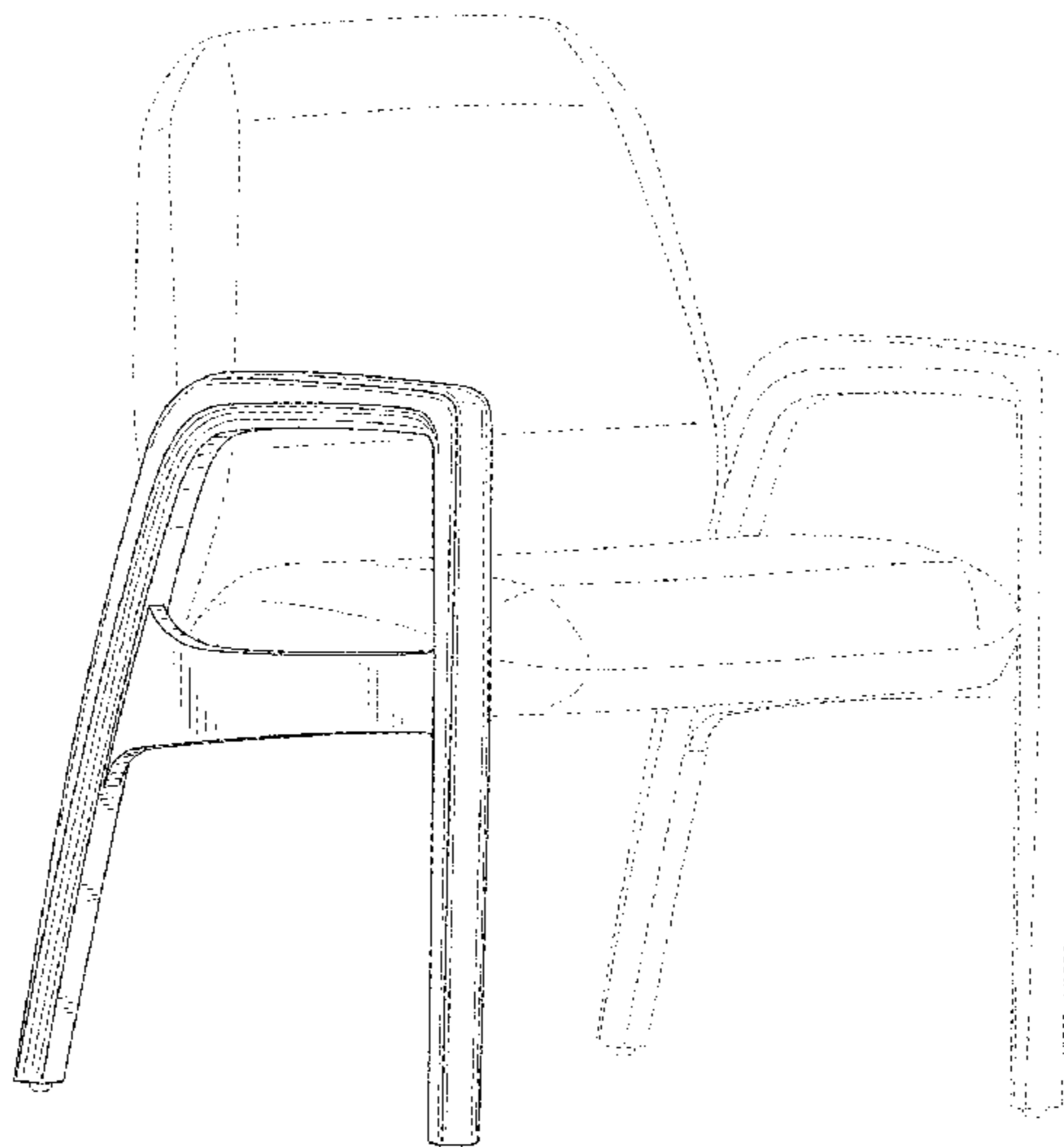
U.S. PATENT DOCUMENTS

D193,843 S \* 10/1962 Ohisson ..... D6/379  
D238,989 S \* 3/1976 Groadiler ..... 297/452.12  
D260,584 S \* 9/1981 Albinson ..... D6/373  
4,302,048 A \* 11/1981 Yount ..... A47C 4/028  
297/440.1  
D285,877 S \* 9/1986 Goldman ..... D6/367  
D289,349 S \* 4/1987 Vanderminden ..... D6/379  
D289,709 S \* 5/1987 Goldman ..... D6/367  
D291,632 S \* 9/1987 Zola ..... D6/370  
D294,783 S \* 3/1988 Goldman ..... D6/373  
D296,848 S \* 7/1988 Colby ..... D6/361  
4,830,435 A \* 5/1989 Nemschoff ..... A47C 3/00  
297/440.2

**DESCRIPTION**

FIG. 1 is a front perspective view of the arm for a chair embodying the new design;  
FIG. 2 is a left side view thereof;  
FIG. 3 is a front view thereof;  
FIG. 4 is a rear view thereof;  
FIG. 5 is a top view thereof; and,  
FIG. 6 is a bottom view thereof.  
FIGS. 1-6 show an arm for a chair in broken lines. The portions shown in broken lines are for environmental purposes only and form no part of the claimed design.

**1 Claim, 6 Drawing Sheets**



(56)

**References Cited**

U.S. PATENT DOCUMENTS

D551,459	S	*	9/2007	Zagler .....	D6/374
D557,920	S	*	12/2007	Homestead .....	D6/375
D571,119	S	*	6/2008	Leonetti .....	D6/379
D593,338	S	*	6/2009	Schweikarth .....	D6/379
D600,049	S	*	9/2009	Heltemes .....	D6/717
D604,519	S		11/2009	Beckley et al.	
D615,782	S		5/2010	Beckley et al.	
D647,335	S	*	10/2011	Delmestri .....	D6/379
D647,735	S	*	11/2011	Delmestri .....	D6/379
D686,837	S	*	7/2013	Schweikarth .....	D6/379
D696,038	S	*	12/2013	Schweikarth .....	D6/379
D696,525	S	*	12/2013	Fernandes .....	D6/379
D697,736	S	*	1/2014	Schweikarth .....	D6/379
D732,302	S	*	6/2015	Lange .....	D6/379
D788,482	S	*	6/2017	Maxwell .....	D6/375
2007/0108823	A1	*	5/2007	Grabowski .....	A47C 4/02 297/354.1

\* cited by examiner

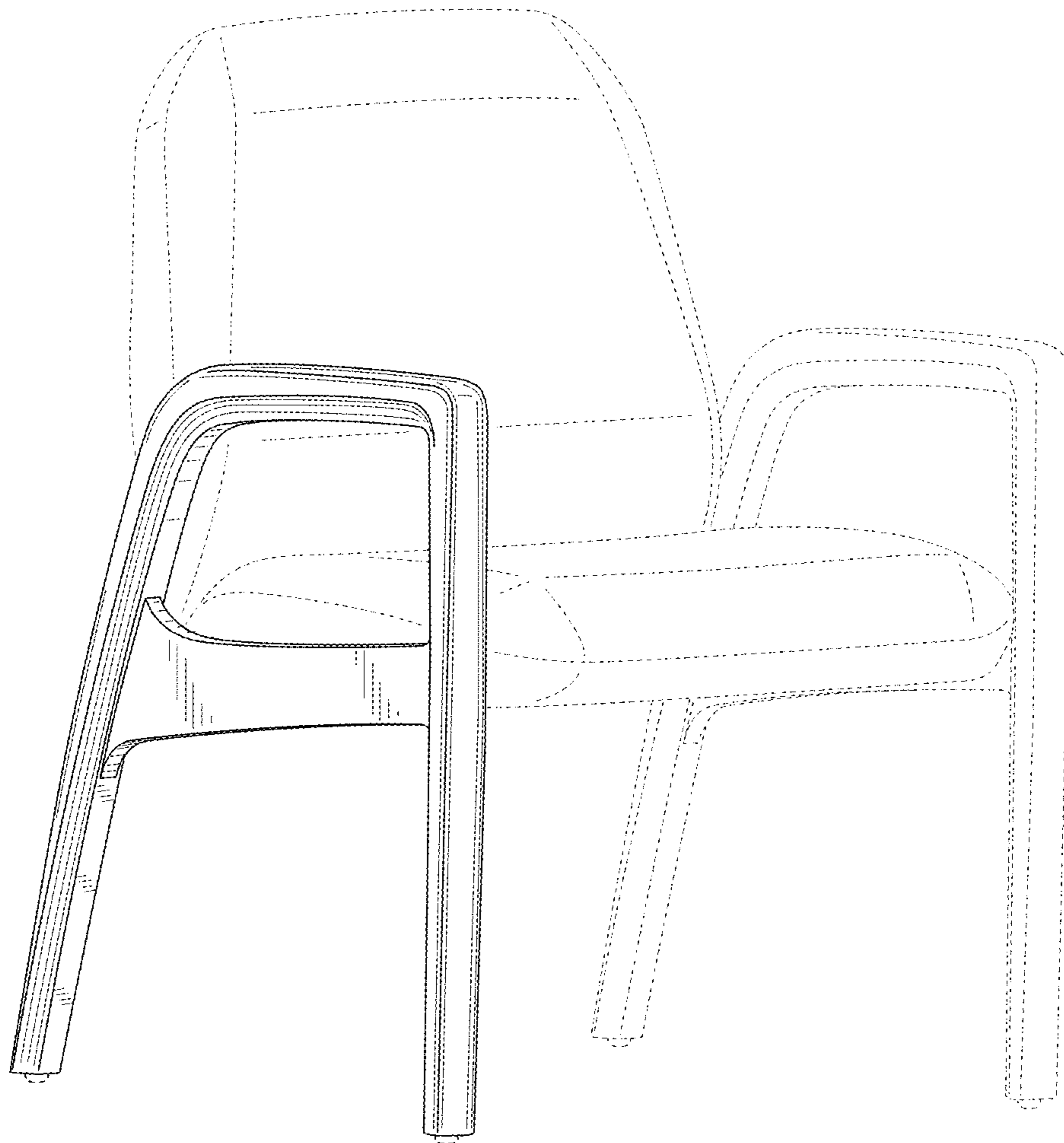


Fig. 1

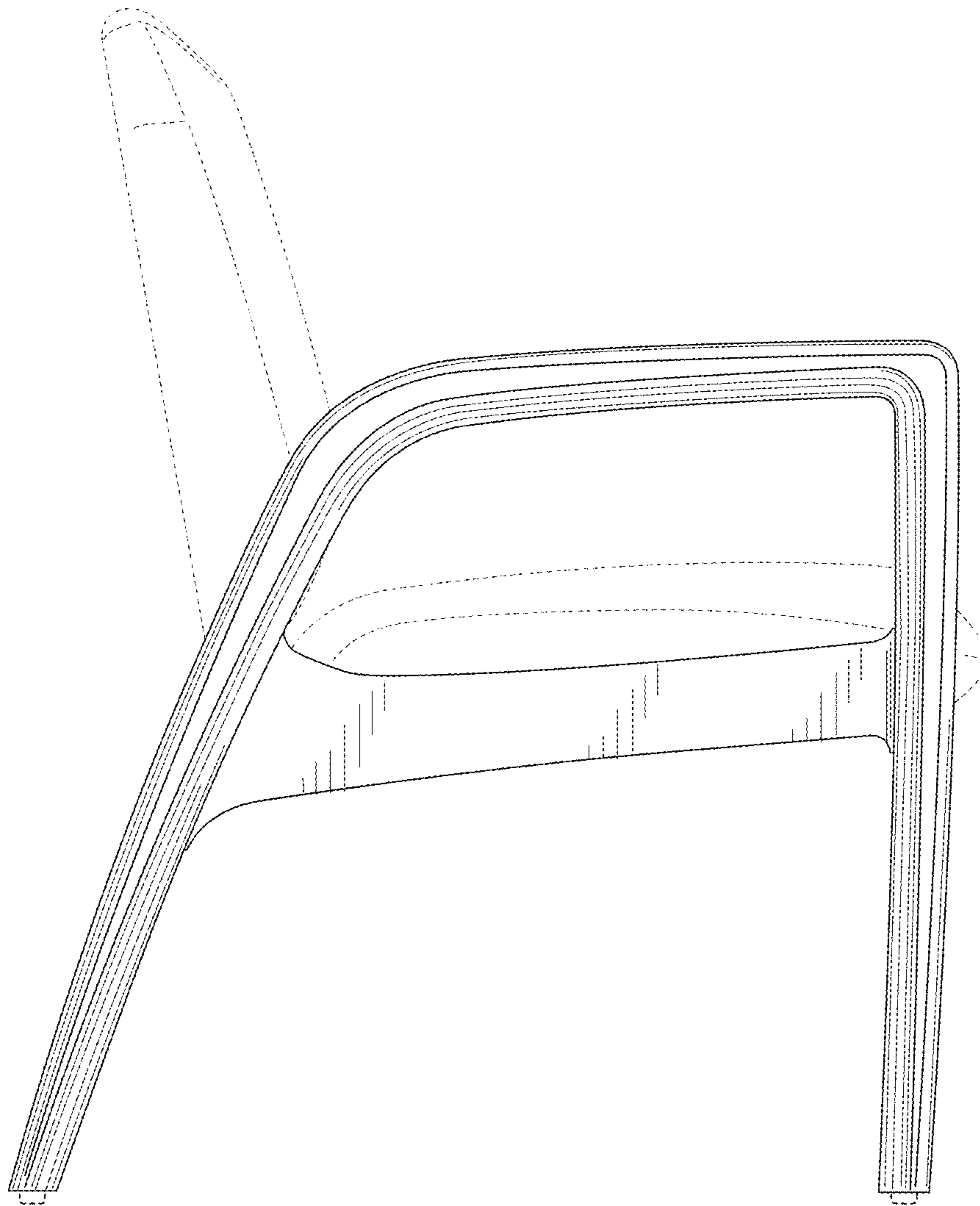


Fig. 2

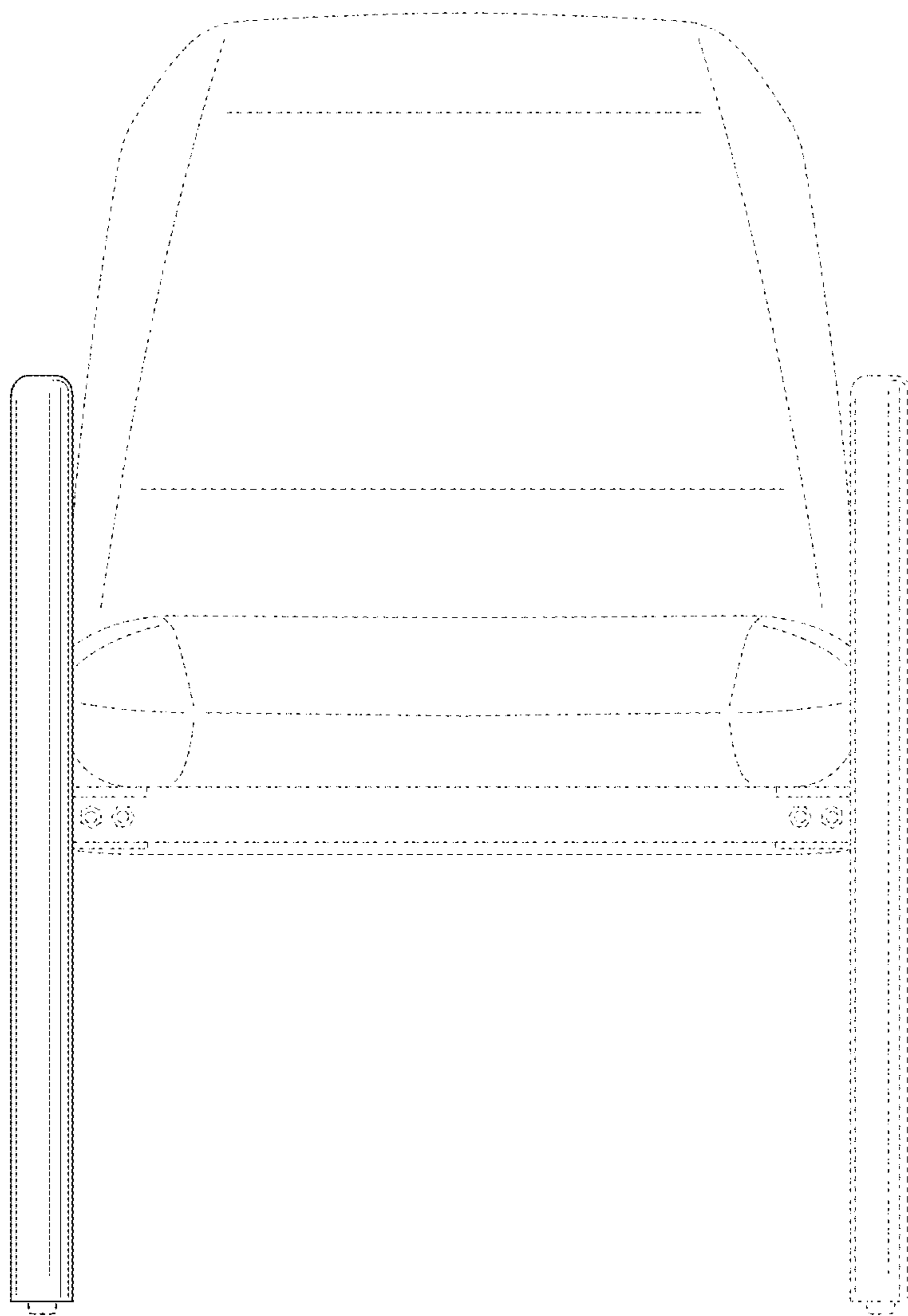


Fig. 3

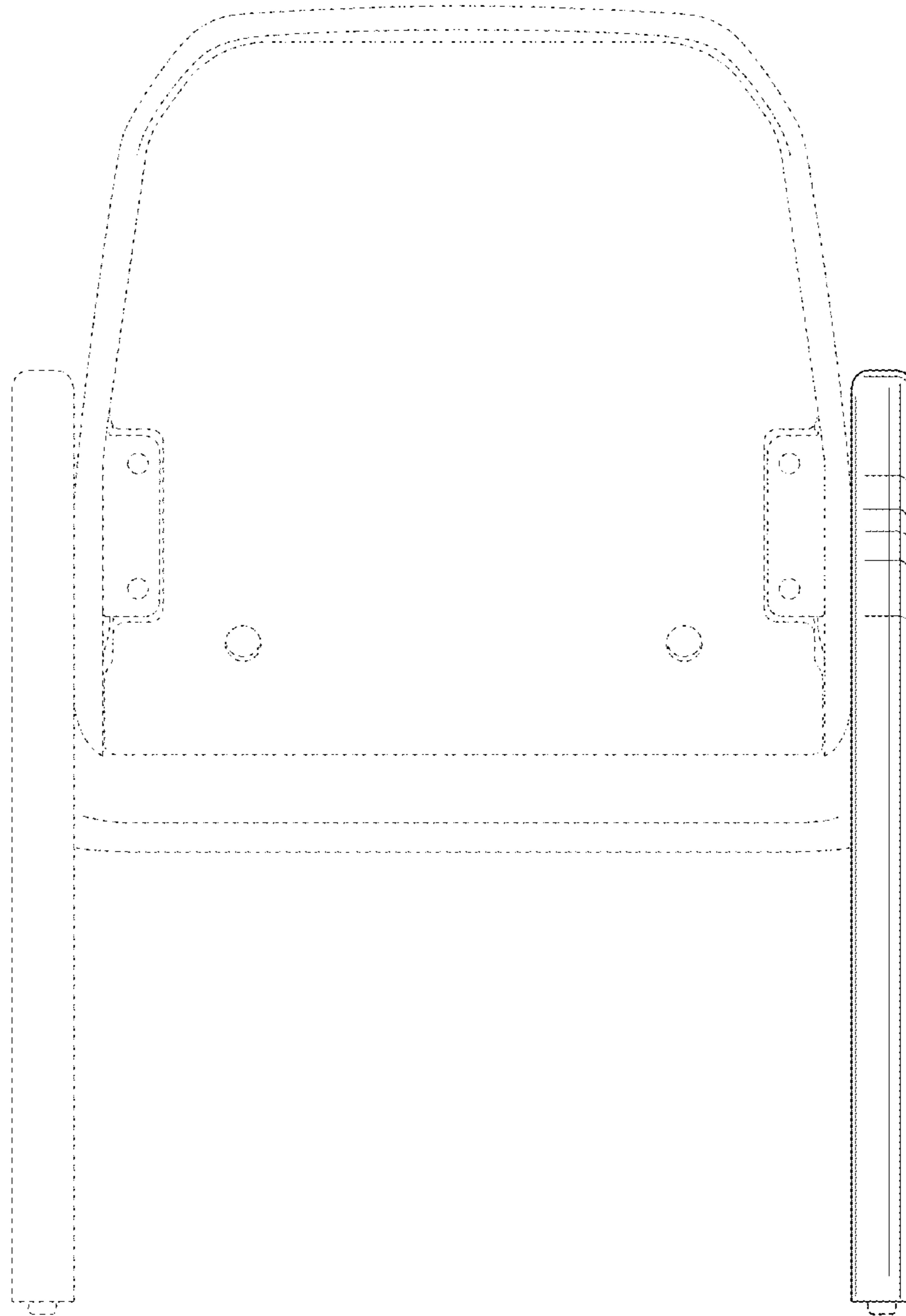


Fig. 4

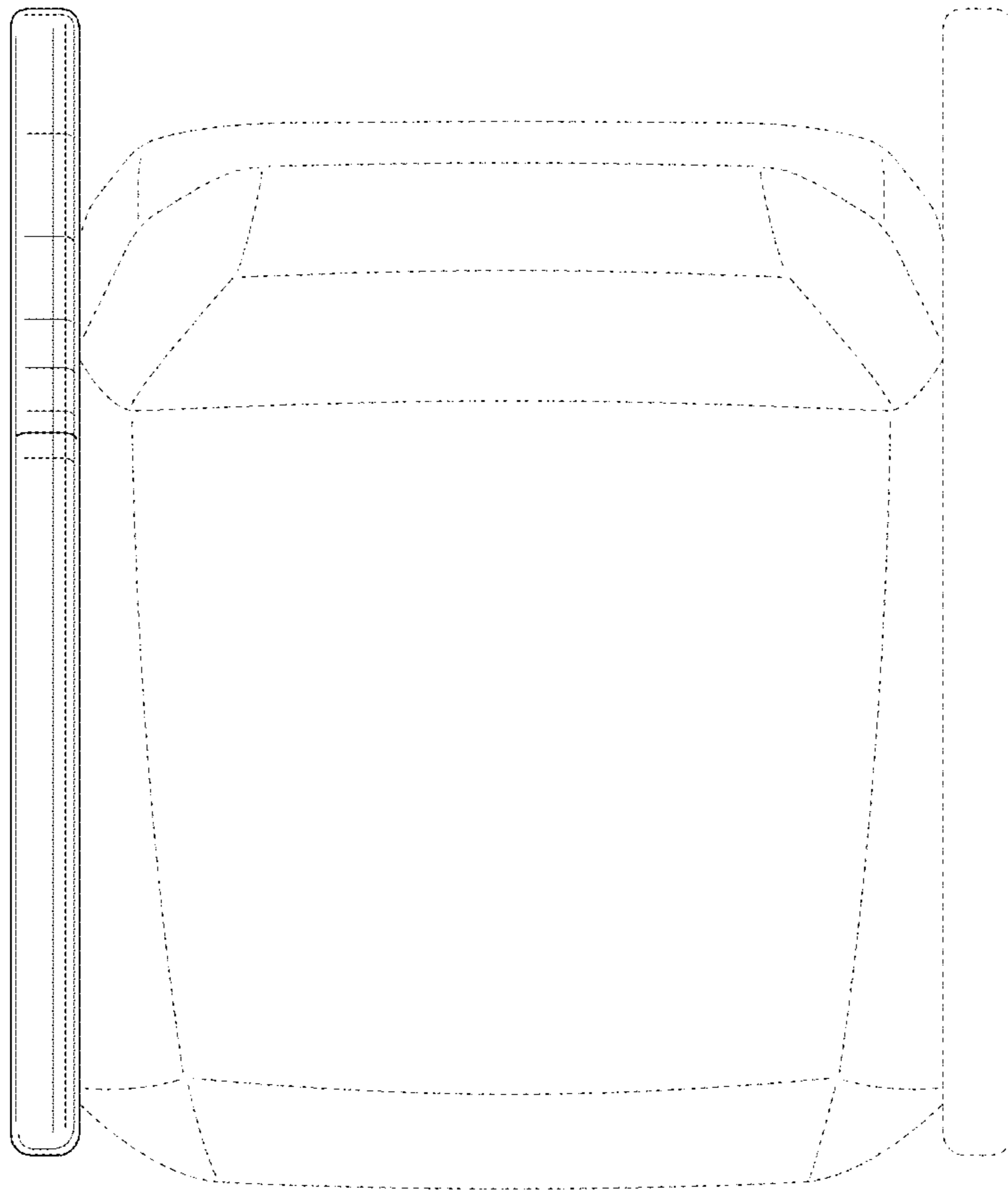


Fig. 5

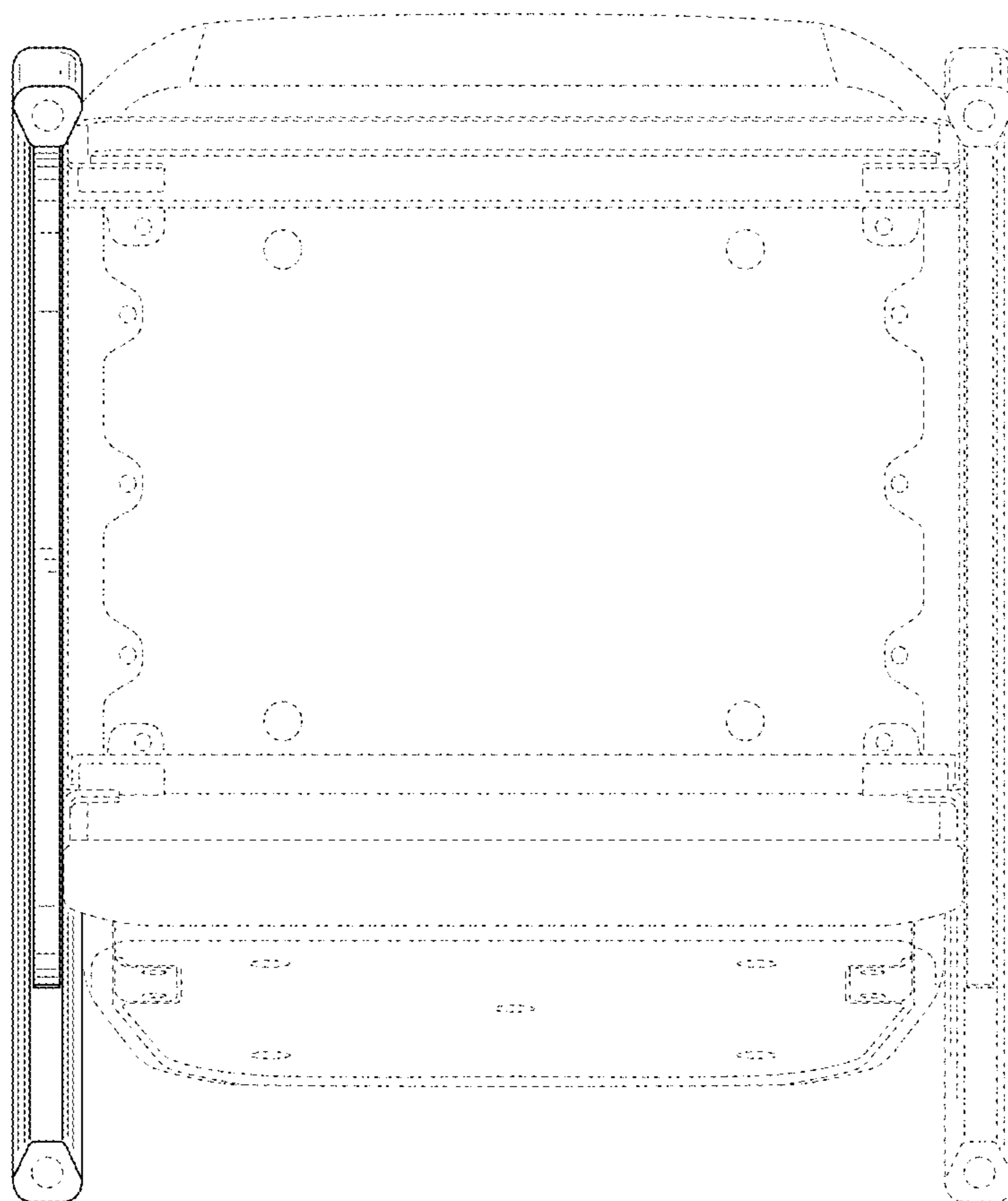


Fig. 6