



US00D813581S

(12) **United States Design Patent** (10) **Patent No.:** **US D813,581 S**  
**Denby et al.** (45) **Date of Patent:** **\*\* Mar. 27, 2018**

(54) **ELEVATED BIN**

- (71) Applicant: **TARGET BRANDS, INC.**,  
Minneapolis, MN (US)
- (72) Inventors: **Scott E. Denby**, Minneapolis, MN  
(US); **Matthew Peterson**, Elk River,  
MN (US)
- (73) Assignee: **TARGET BRANDS, INC.**,  
Minneapolis, MN (US)
- (\*\*) Term: **15 Years**

- (21) Appl. No.: **29/595,019**
- (22) Filed: **Feb. 24, 2017**
- (51) **LOC (11) Cl.** ..... **06-06**
- (52) **U.S. Cl.**  
USPC ..... **D6/683**
- (58) **Field of Classification Search**  
USPC ..... D6/672-673, 677, 683; D3/304, 314,  
D3/316  
CPC .. A47F 3/14; A47F 3/142; B65D 1/00; B65D  
1/22  
See application file for complete search history.

(56) **References Cited**

**U.S. PATENT DOCUMENTS**

577,151 A	2/1897	Taylor	
1,522,876 A	1/1925	Genebach	
2,942,750 A	6/1960	Neely	
3,330,405 A	7/1967	Taub	
D223,163 S *	3/1972	Gray	D6/683
D234,475 S *	3/1975	Markus	D6/677.1
D247,402 S *	3/1978	Cohen	D6/680.3
D280,159 S	8/1985	Silver	
D290,811 S	7/1987	Cleveland, Jr.	
D329,599 S	9/1992	Bustos	
D335,983 S *	6/1993	Gutgsell	D6/708
D336,698 S	6/1993	Conaway et al.	
D351,790 S *	10/1994	Haindl	D11/152
5,374,095 A	12/1994	Ramseth	

(Continued)

**OTHER PUBLICATIONS**

“Rubbermaid Commercial Products Regent Series Ash/Trash Refuse Container”, printed from [http://guide.alibaba.com/shop/rubbermaid-commercial-products-fgr23su...s-ash-trash-refuse-container-round-flat-top-12-gallon\\_51684310.html](http://guide.alibaba.com/shop/rubbermaid-commercial-products-fgr23su...s-ash-trash-refuse-container-round-flat-top-12-gallon_51684310.html), publicly available at least as early as Feb. 25, 2016 (3 pages).

(Continued)

*Primary Examiner* — Kelley Donnelly

(74) *Attorney, Agent, or Firm* — JoAnn M. Seaton; Griffiths & Seaton PLLC

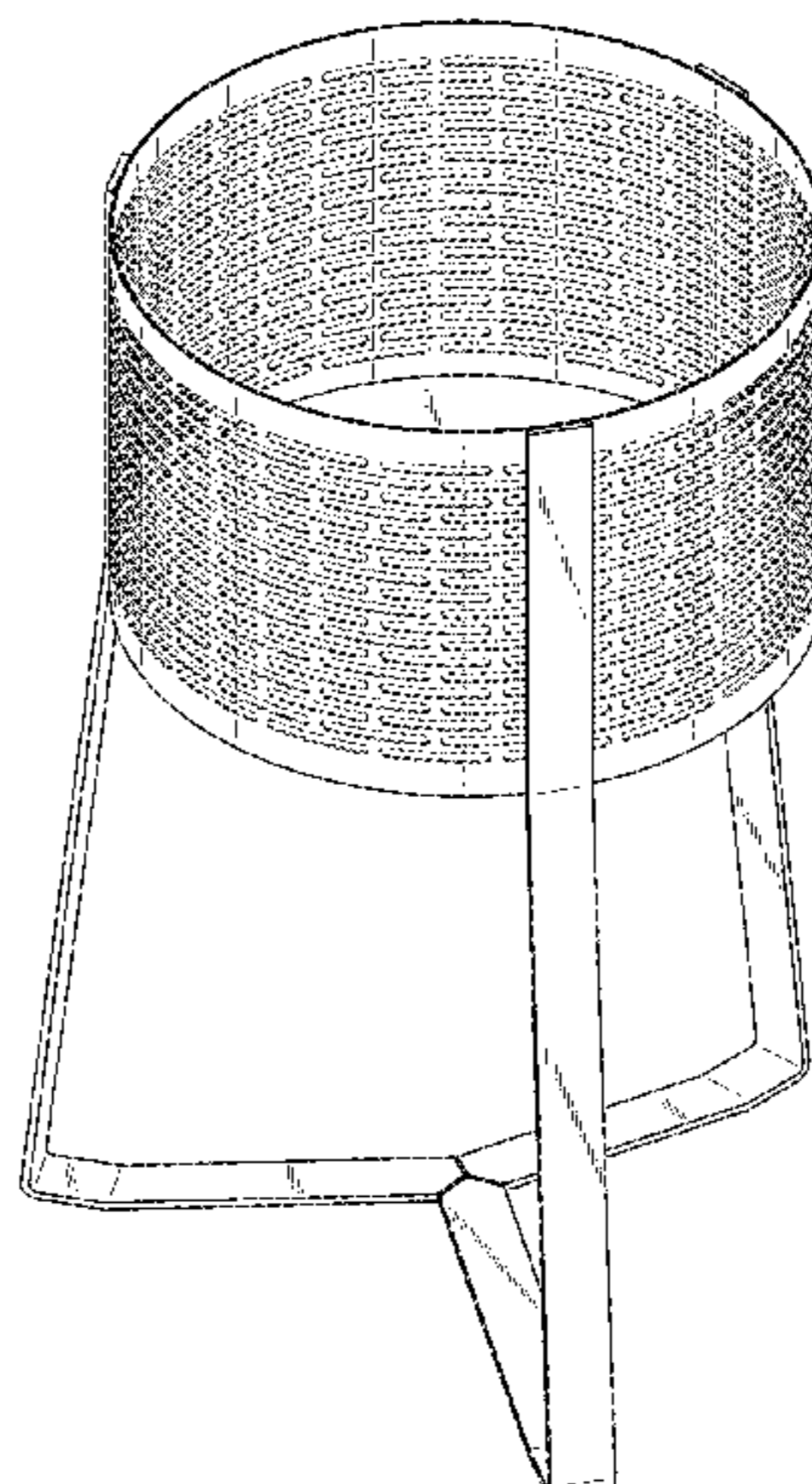
(57) **CLAIM**

The ornamental design for an elevated bin, as shown and described.

**DESCRIPTION**

FIG. 1 is a top and front perspective view of an elevated bin showing a first embodiment of our new design;  
 FIG. 2 is a front view thereof;  
 FIG. 3 is a rear view thereof;  
 FIG. 4 is a right side view thereof, the left side view being a mirror image of the right side view;  
 FIG. 5 is a top view thereof; and  
 FIG. 6 is a bottom view thereof.  
 FIG. 7 is a top and front perspective view of an elevated bin showing a second embodiment of our new design;  
 FIG. 8 is a front view thereof;  
 FIG. 9 is a rear view thereof;  
 FIG. 10 is a right side view thereof, the left side view being a mirror image of the right side view;  
 FIG. 11 is a top view thereof; and,  
 FIG. 12 is a bottom view thereof.  
 In the drawings, the broken lines depict unclaimed sidewall apertures only that form no part of the claimed design.

**1 Claim, 10 Drawing Sheets**



(56)

References Cited

U.S. PATENT DOCUMENTS

5,743,504	A *	4/1998	Miller .....	B60N 3/103 224/42.38
D441,561	S	5/2001	Stoppenhagen et al.	
D609,934	S	2/2010	Riddford et al.	
D653,451	S	2/2012	Elvin-Jensen	
D669,686	S	10/2012	Waggoner	
D692,668	S	11/2013	Hu	
D693,614	S	11/2013	Polidoros	
D696,880	S	1/2014	Garcia	
D716,591	S *	11/2014	Ma .....	D6/677.5
D747,904	S	1/2016	Haynes	
D748,844	S	2/2016	Kern et al.	
D753,357	S *	4/2016	Song .....	D32/29
D754,996	S	5/2016	Pedersen et al.	
D759,408	S	6/2016	Denby et al.	
D774,240	S *	12/2016	Velez .....	D26/106
D776,460	S	1/2017	Chinni Vergottini et al.	

OTHER PUBLICATIONS

“Produce Tables”, printed from [www.candyconceptsinc.com/Produce-Tables\\_c\\_1892.html](http://www.candyconceptsinc.com/Produce-Tables_c_1892.html), publicly available at least as early as Apr. 8, 2015, per <http://web.archive.org> (2 pages).  
 U.S. Appl. No. 29/523,322, filed Apr. 8, 2015 (14 pages).  
 “Wine Display Barrels & Boxes”, printed from [www.marsel.co.uk/wine-display-barrels-boxes/](http://www.marsel.co.uk/wine-display-barrels-boxes/), publicly available at least as early as Feb. 25, 2016 (5 pages).  
 “Dump Bins”, printed from [www.hubert.com/Display-Fixtures-202/Mobile-Fixtures-216/Dump-Bins-218.html](http://www.hubert.com/Display-Fixtures-202/Mobile-Fixtures-216/Dump-Bins-218.html), publicly available at least as early as Feb. 22, 2016, per <http://web.archive.org> (3 pages).  
 “Barrel Tub Display with Legs”, printed from [www.palaydisplay.com/Barrel-Tub-Display-with-Legs-p-21323.html](http://www.palaydisplay.com/Barrel-Tub-Display-with-Legs-p-21323.html), publicly available at least as early as Feb. 10, 2016 (2 pages).

\* cited by examiner

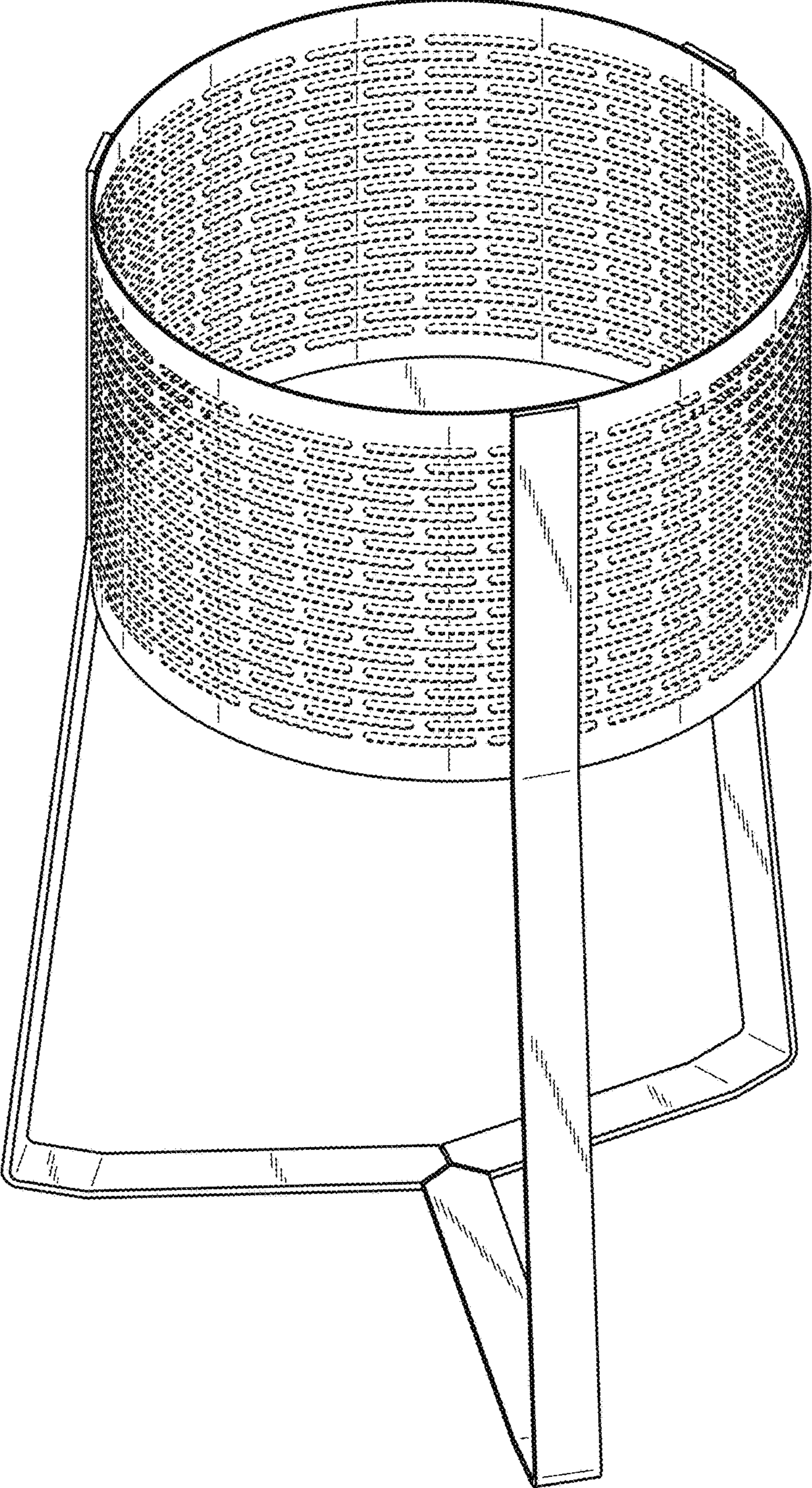


FIG. 1

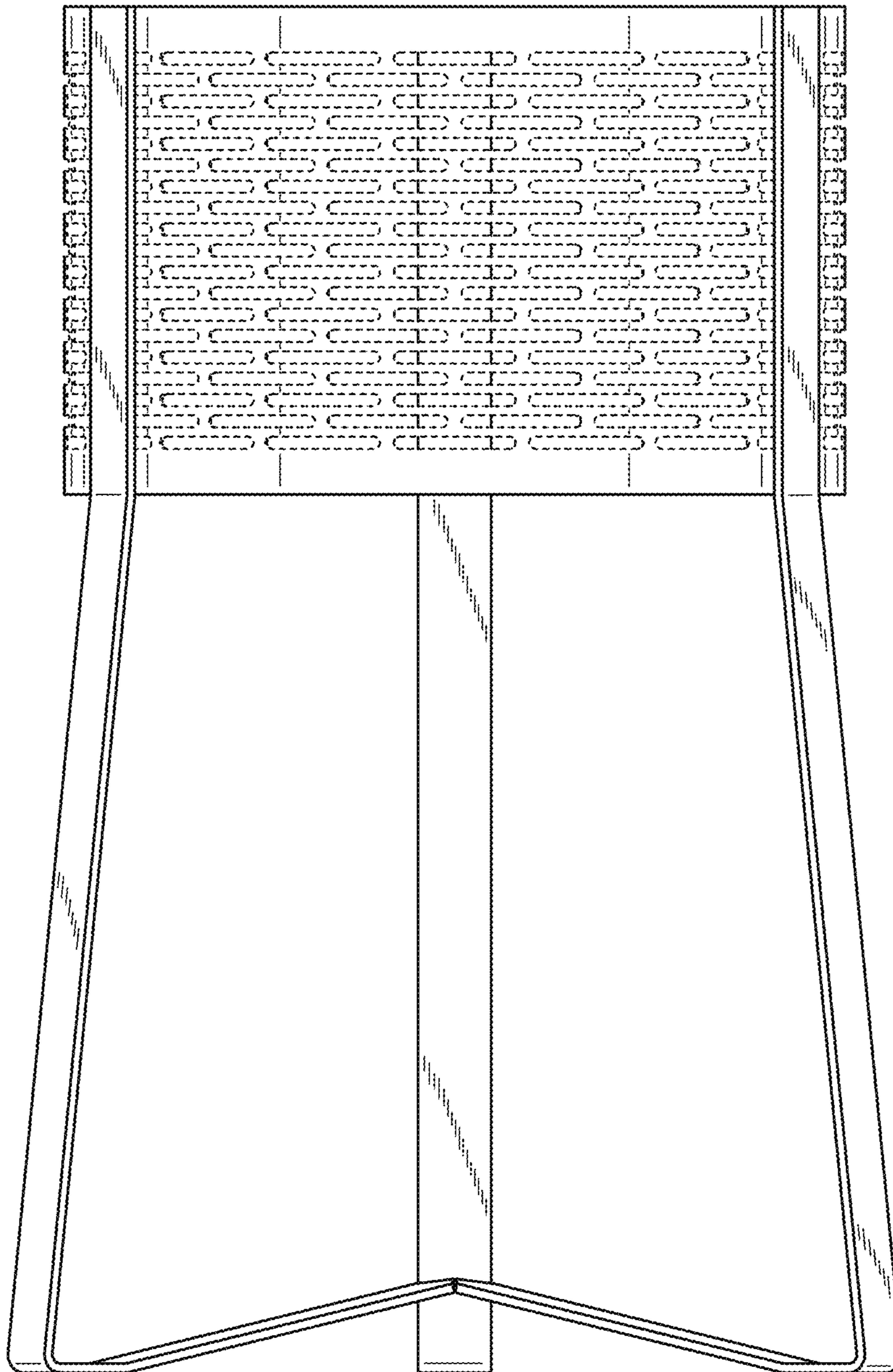


FIG. 2

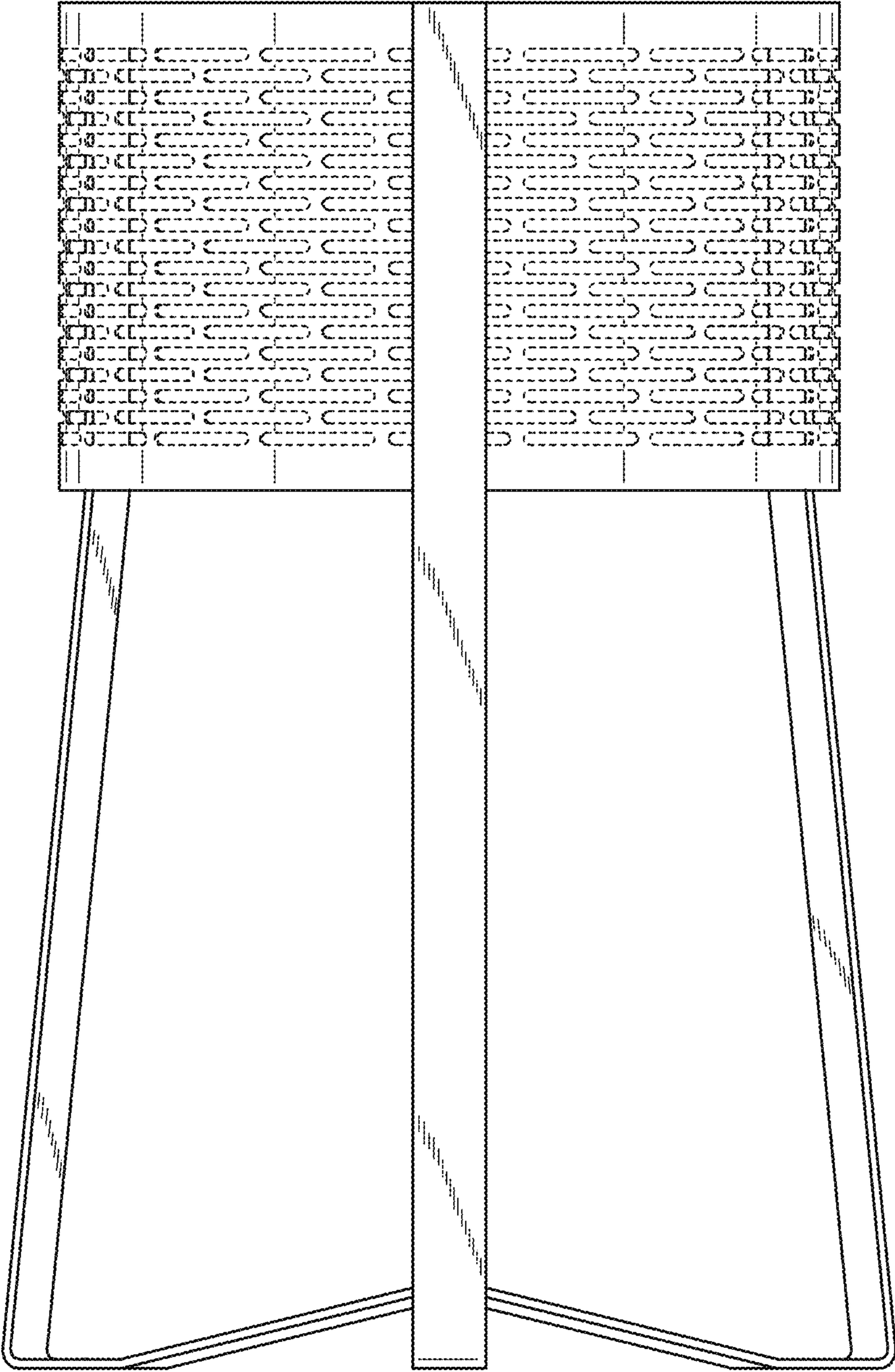


FIG. 3

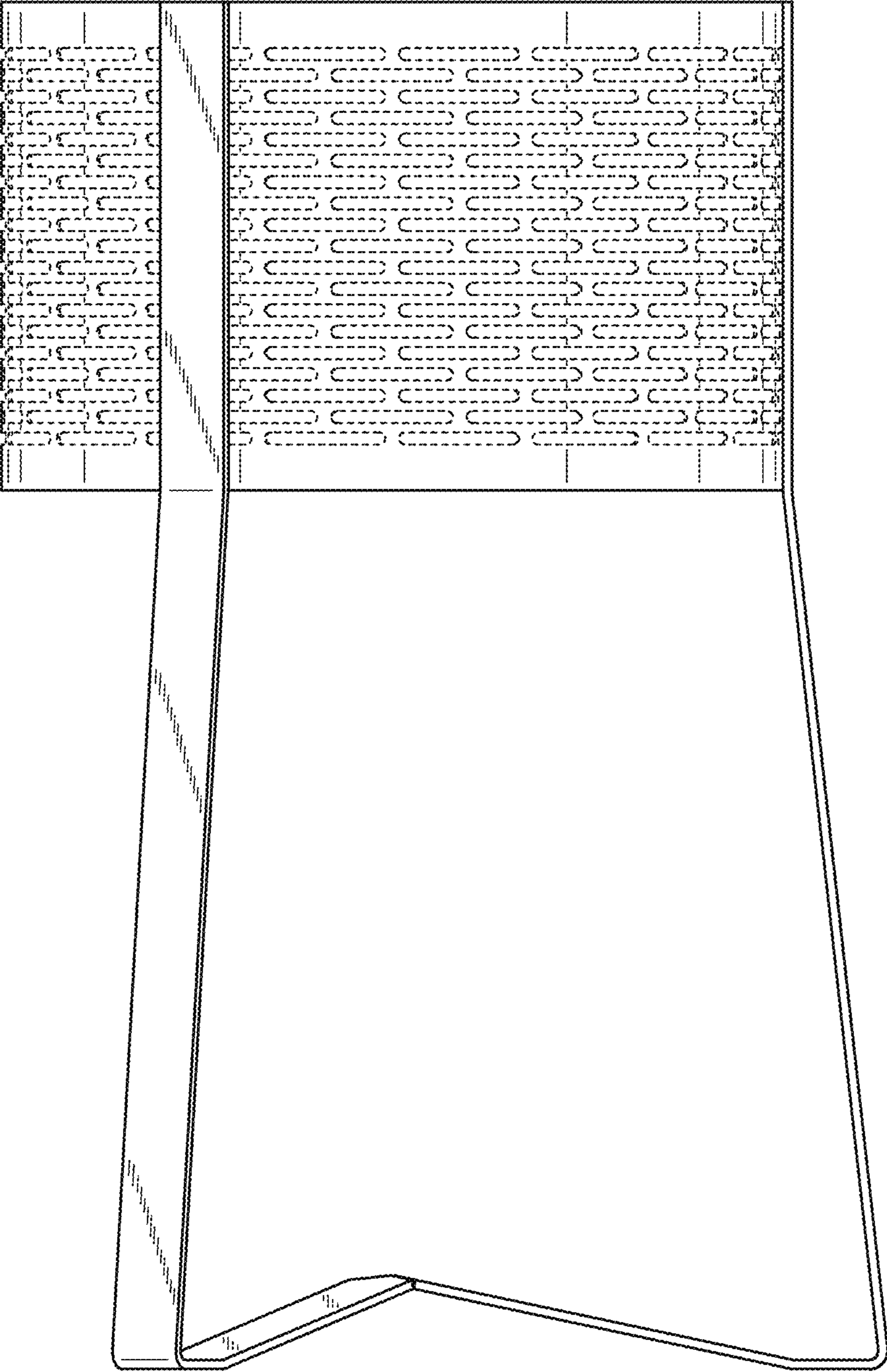


FIG. 4

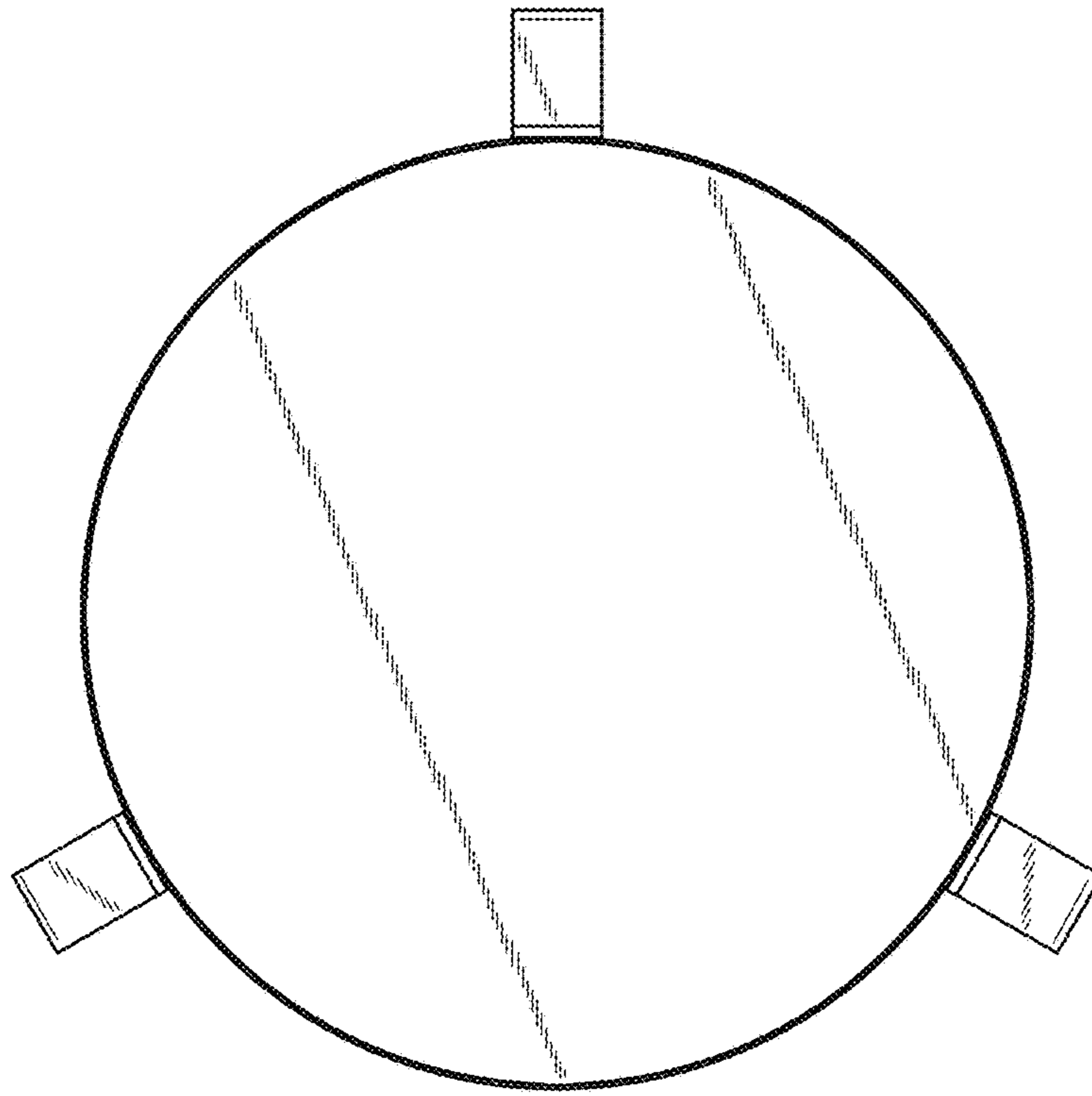


FIG. 5

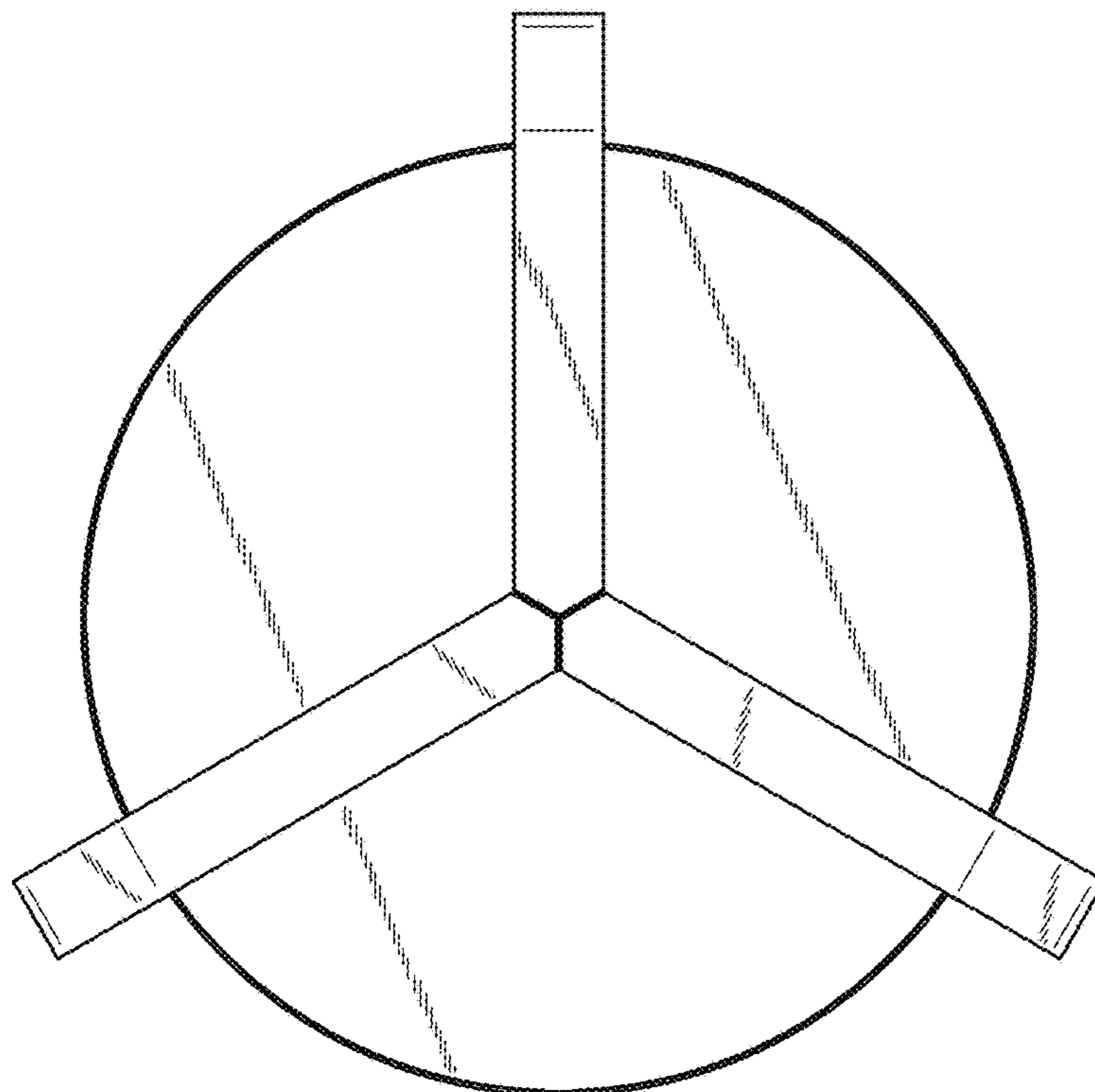


FIG. 6

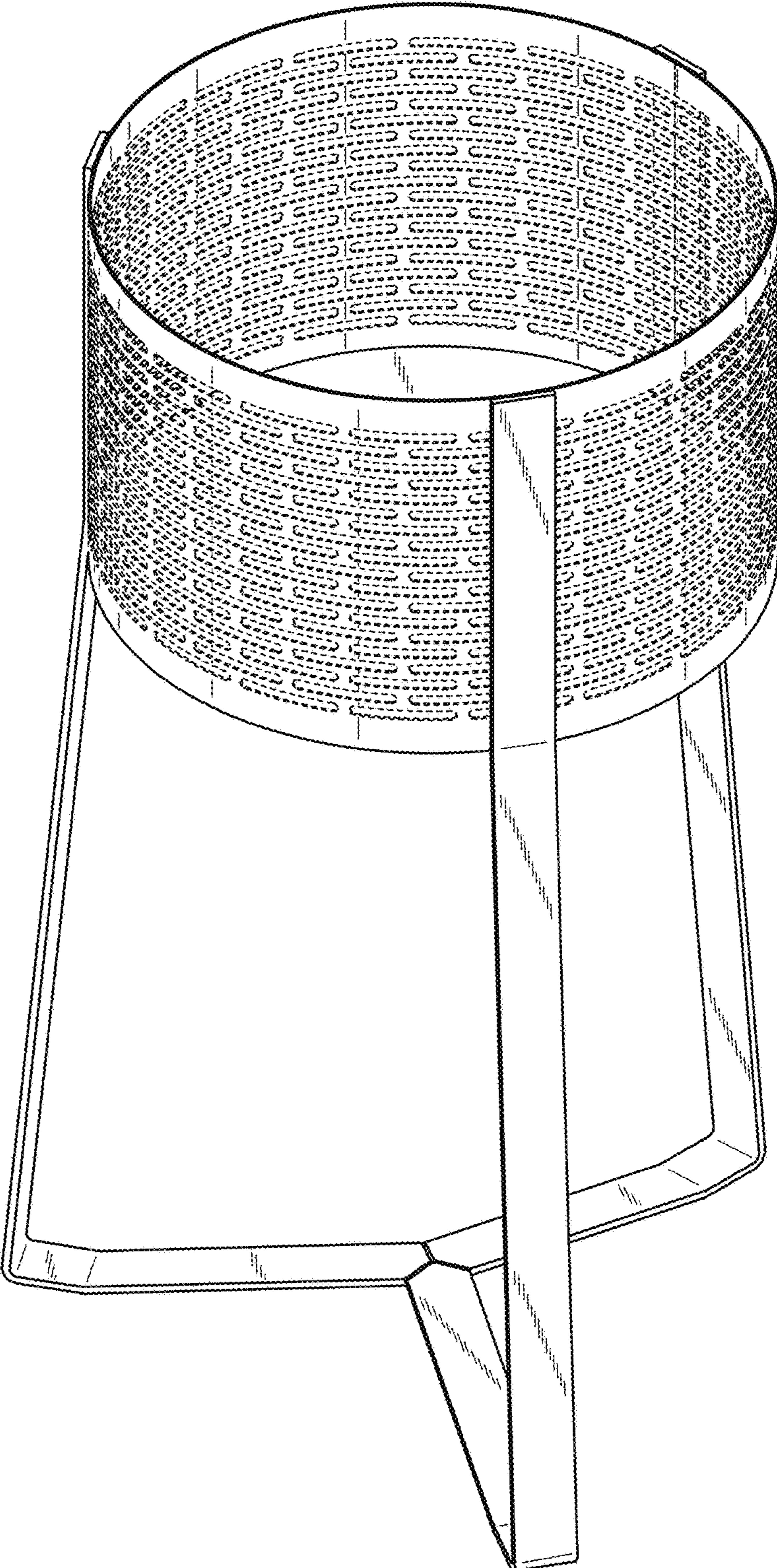


FIG. 7



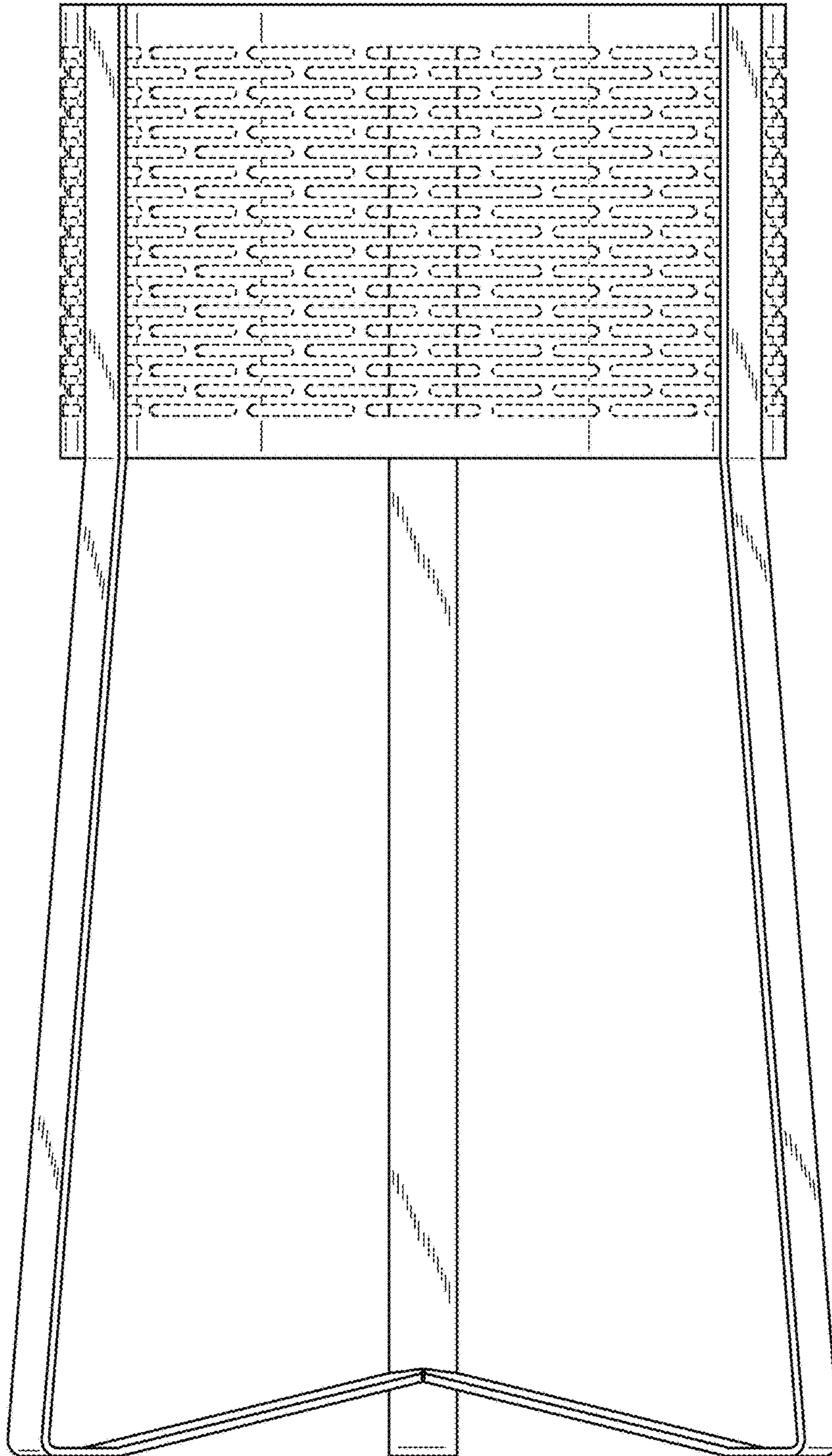


FIG. 8

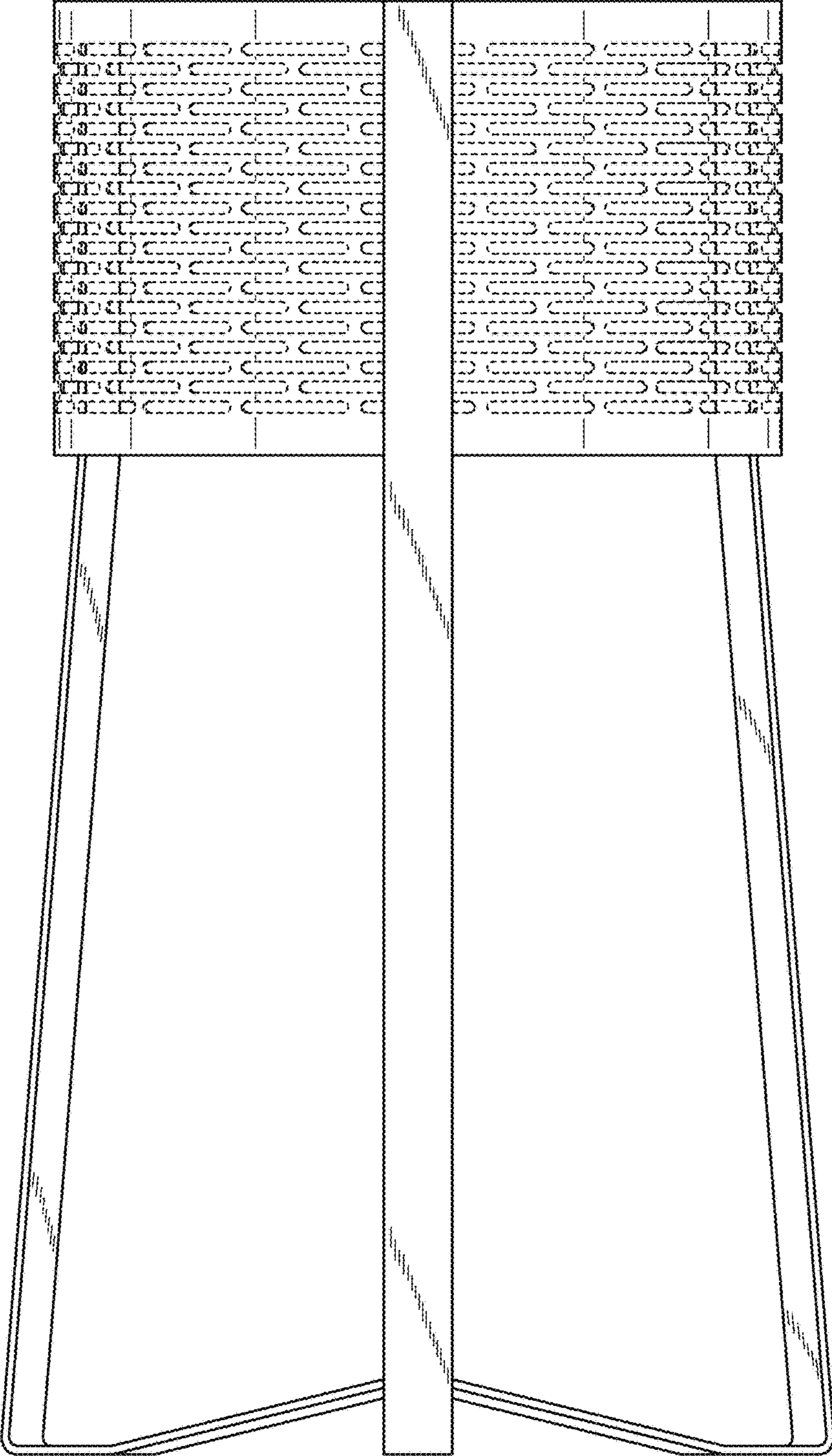


FIG. 9

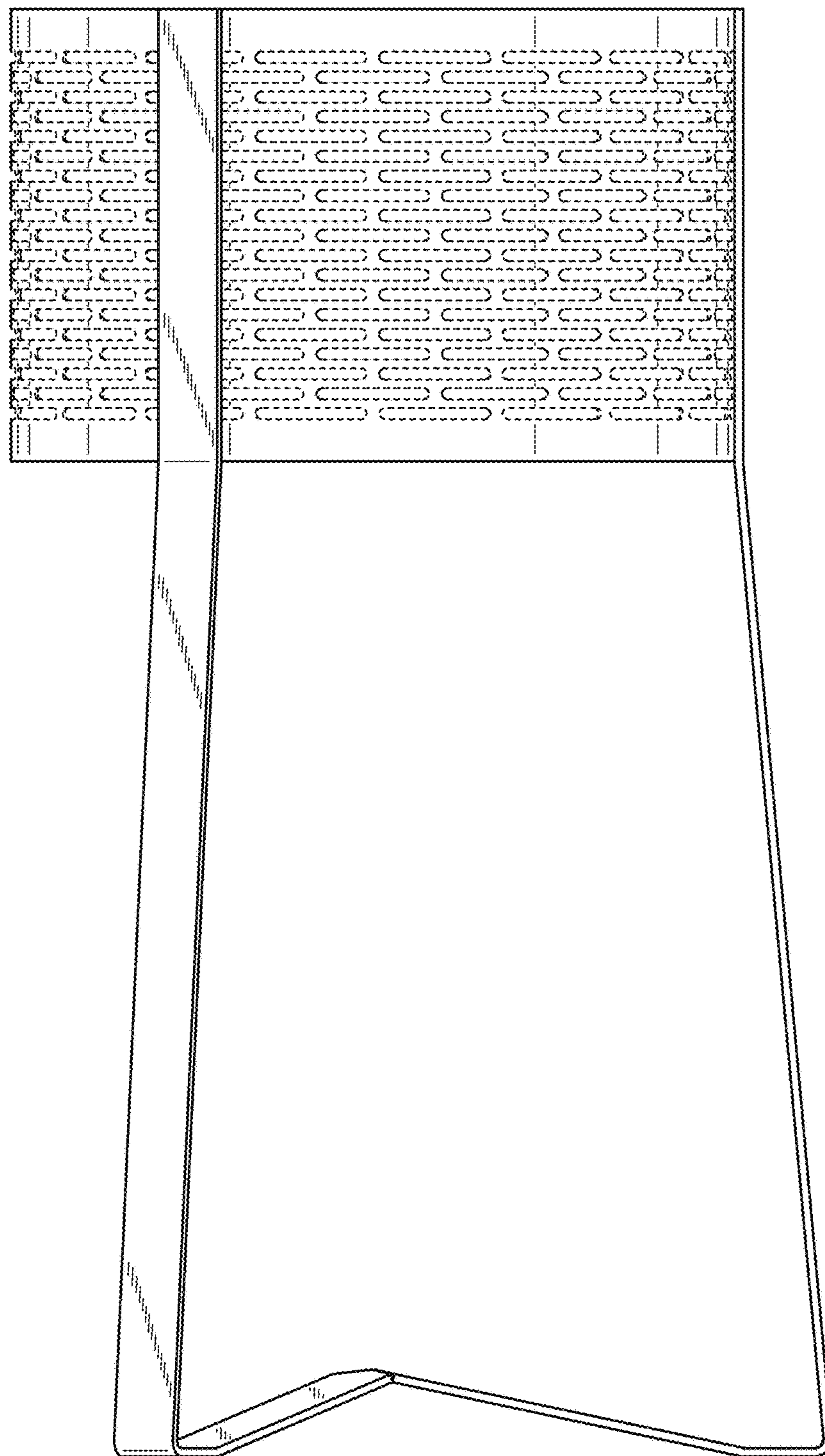
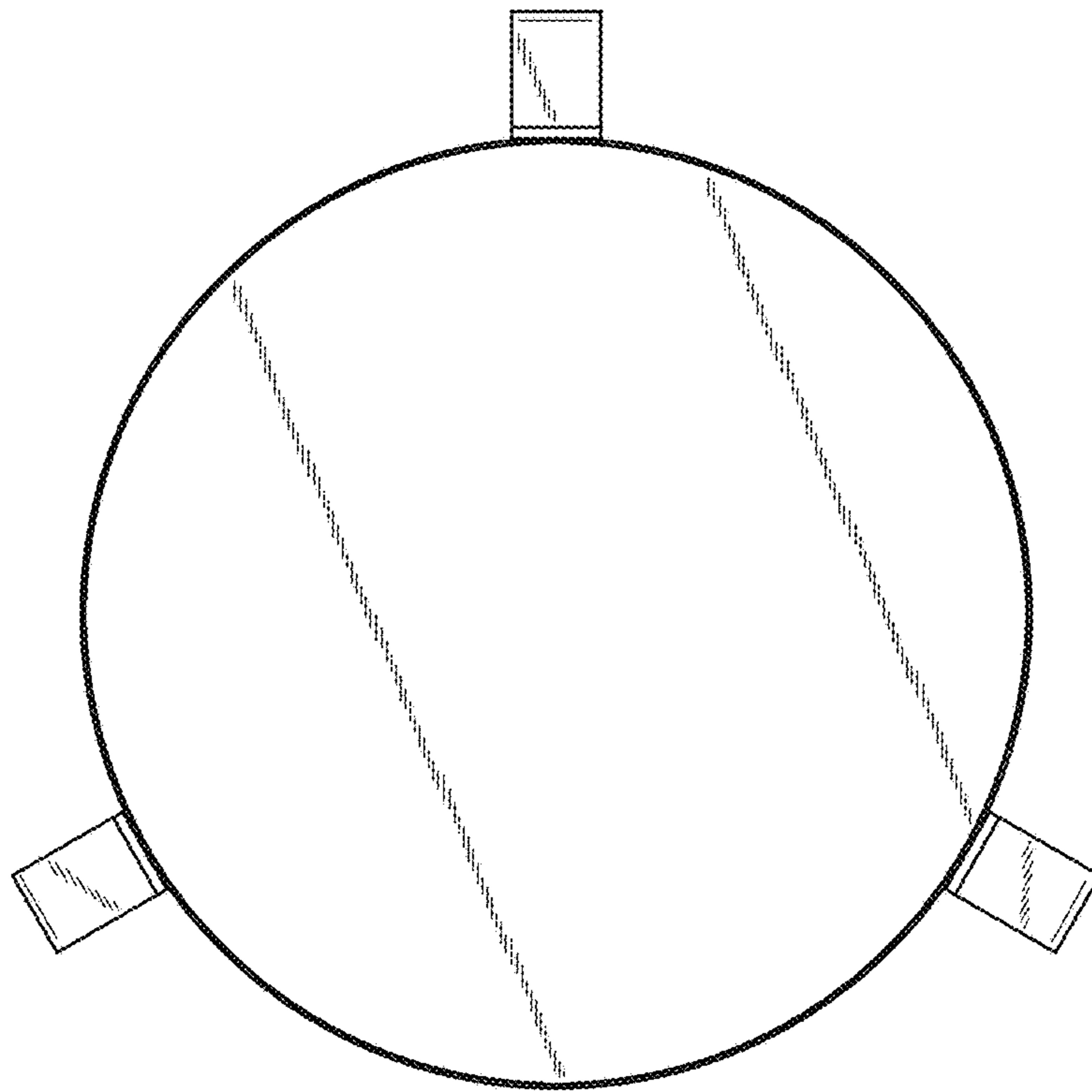
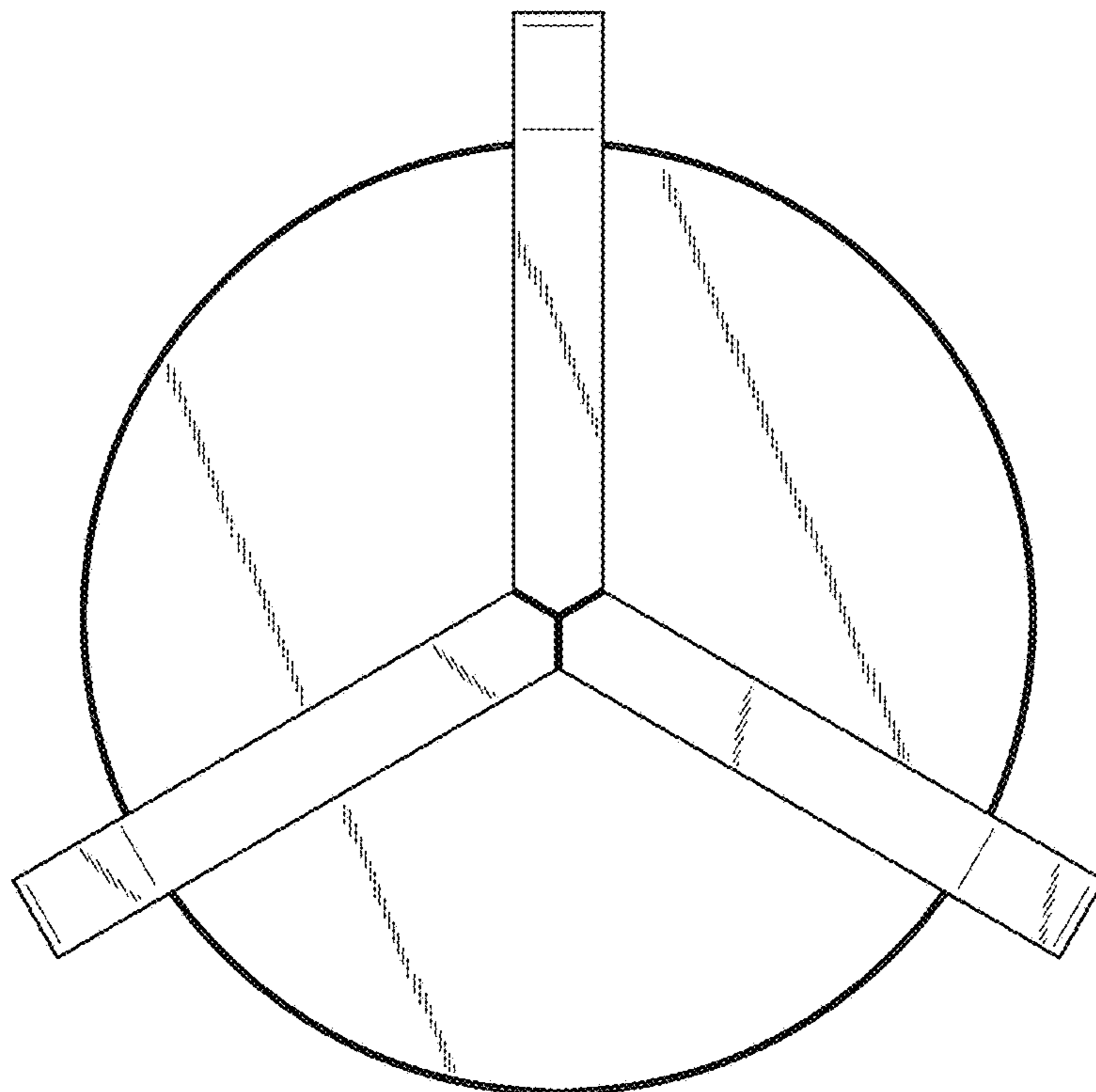


FIG. 10



**FIG. 11**



**FIG. 12**