



US00D813577S

(12) **United States Design Patent**
Ronning

(10) **Patent No.:** **US D813,577 S**
(45) **Date of Patent:** **** Mar. 27, 2018**

(54) **GUITAR STAND**
(71) Applicant: **Jason Ronning**, Longwood, FL (US)
(72) Inventor: **Jason Ronning**, Longwood, FL (US)
(73) Assignee: **RLTW Hatchet Holdings, LLC**,
Longwood, FL (US)

D627,990 S * 11/2010 Shea D6/682
D628,830 S * 12/2010 Mono D6/682.3
D675,039 S * 1/2013 Foisy D6/682.1
D737,660 S * 9/2015 Santeler D8/349
D756,692 S * 5/2016 Hallett D6/682.4
2008/0168883 A1* 7/2008 Chen G10G 5/00
84/327

* cited by examiner

(**) Term: **15 Years**

Primary Examiner — Kelley Donnelly

(21) Appl. No.: **29/607,984**

(74) *Attorney, Agent, or Firm* — Jason T. Daniel, Esq.;
Daniel Law Offices, P.A.

(22) Filed: **Jun. 19, 2017**

(51) **LOC (11) Cl.** **06-06**

(52) **U.S. Cl.**

USPC **D6/682**

(58) **Field of Classification Search**

USPC D6/672, 673, 682, 682.1, 682.2, 682.3,
D6/682.4; D7/601; D17/20, 99

CPC . G10G 5/00; G10G 7/00; G10G 7/005; A47F
5/04; A47F 7/00; A47F 7/0057

See application file for complete search history.

(57) **CLAIM**

The ornamental design for a guitar stand, as shown and described.

DESCRIPTION

FIG. 1 is a perspective view of the front side thereof,

FIG. 2 is a front side view thereof,

FIG. 3 is a back side view thereof,

FIG. 4 is a left side view thereof,

FIG. 5 is a top side view thereof; and,

FIG. 6 is a bottom side view thereof.

The right side is symmetrical to the left side.

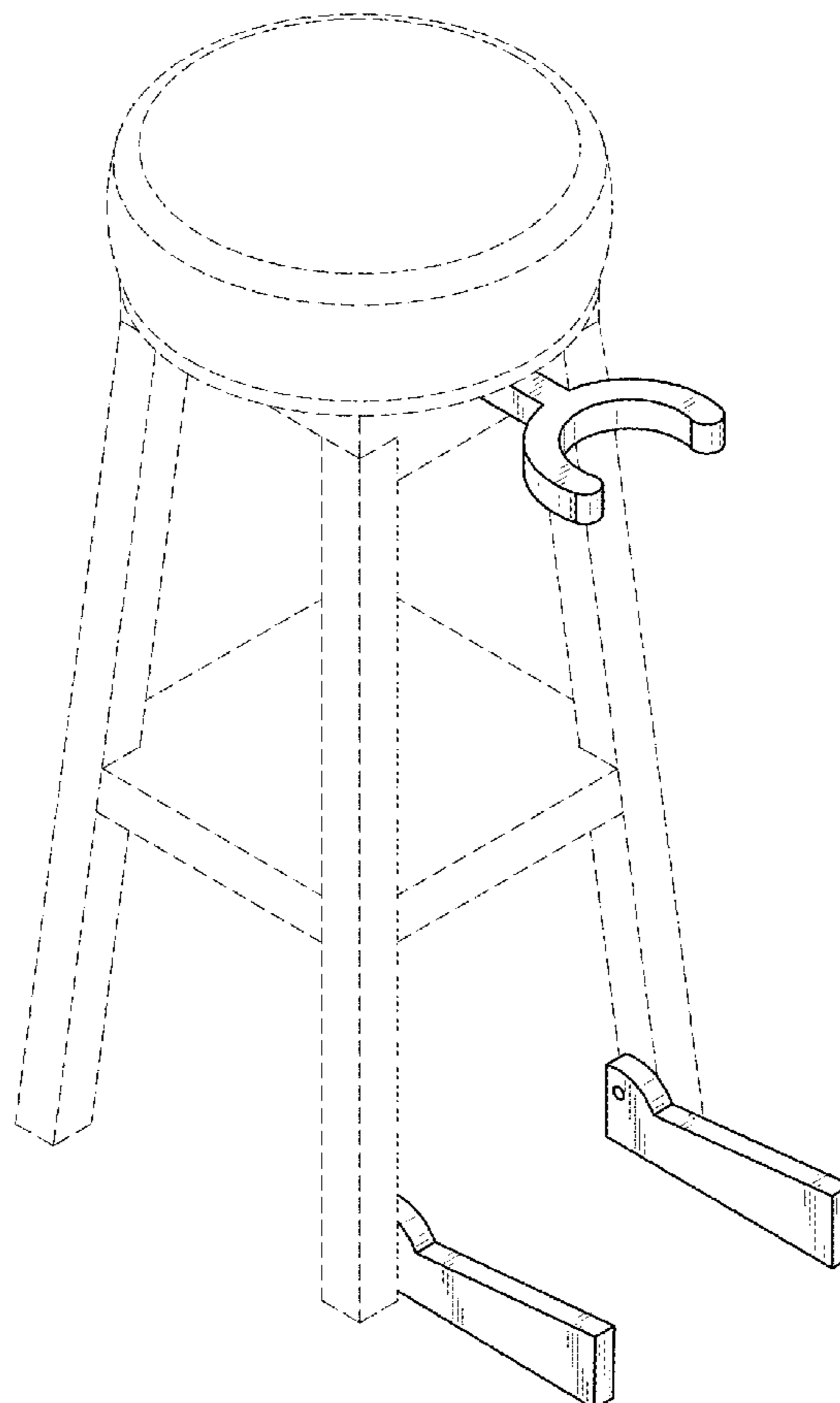
The broken lines are for illustrative purposes only to show connector, and form no part of the claimed design.

(56) **References Cited**

U.S. PATENT DOCUMENTS

D392,123 S * 3/1998 Lynch D17/99
6,121,527 A * 9/2000 Hamm G10G 5/00
84/327

1 Claim, 4 Drawing Sheets



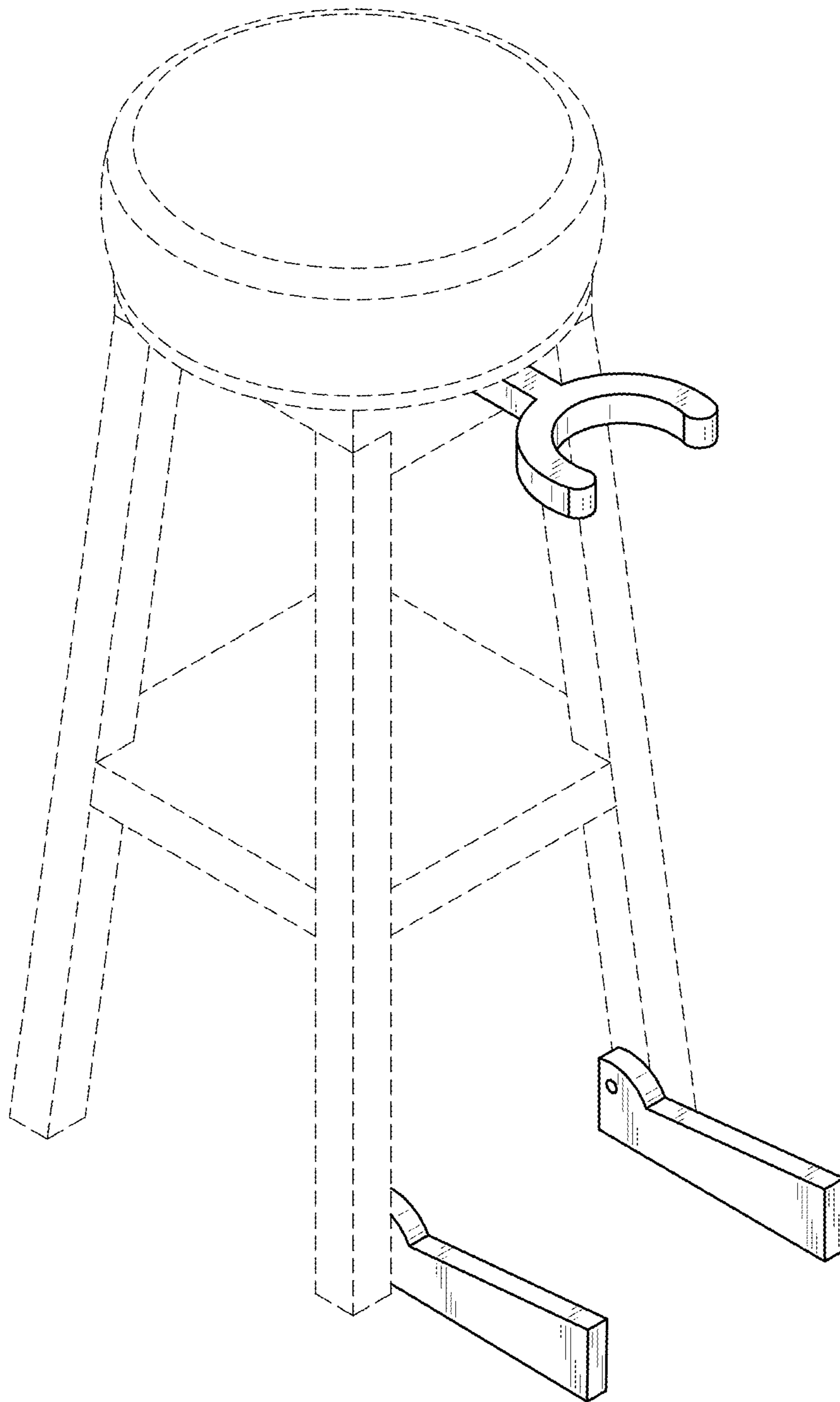


FIG. 1

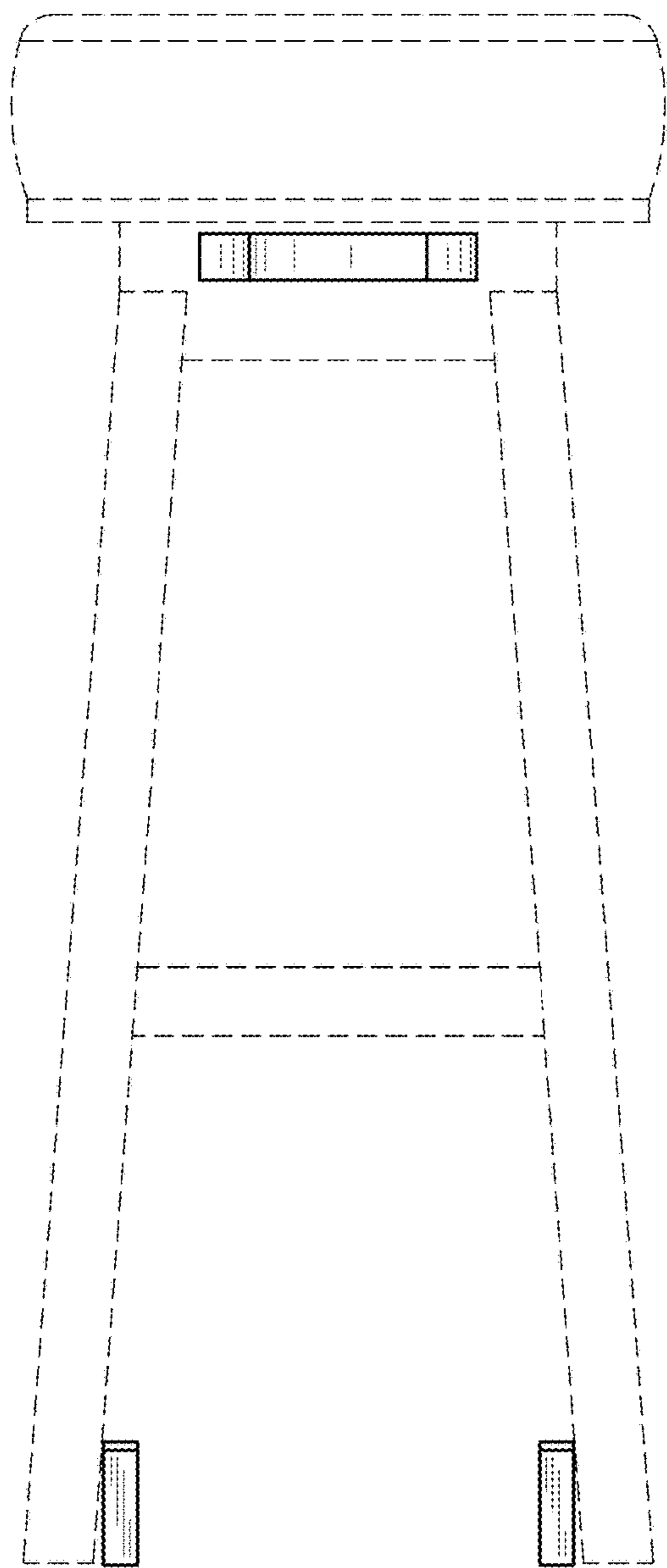


FIG. 2

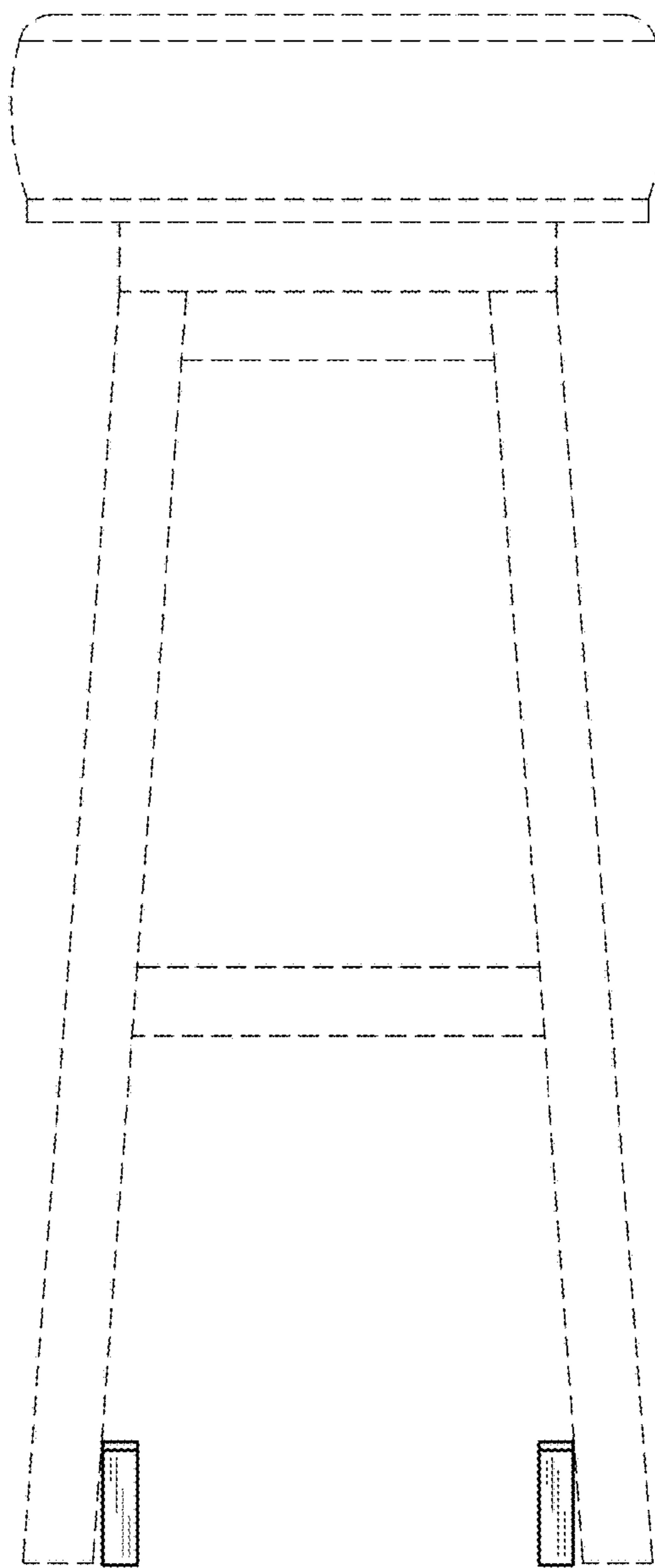


FIG. 3

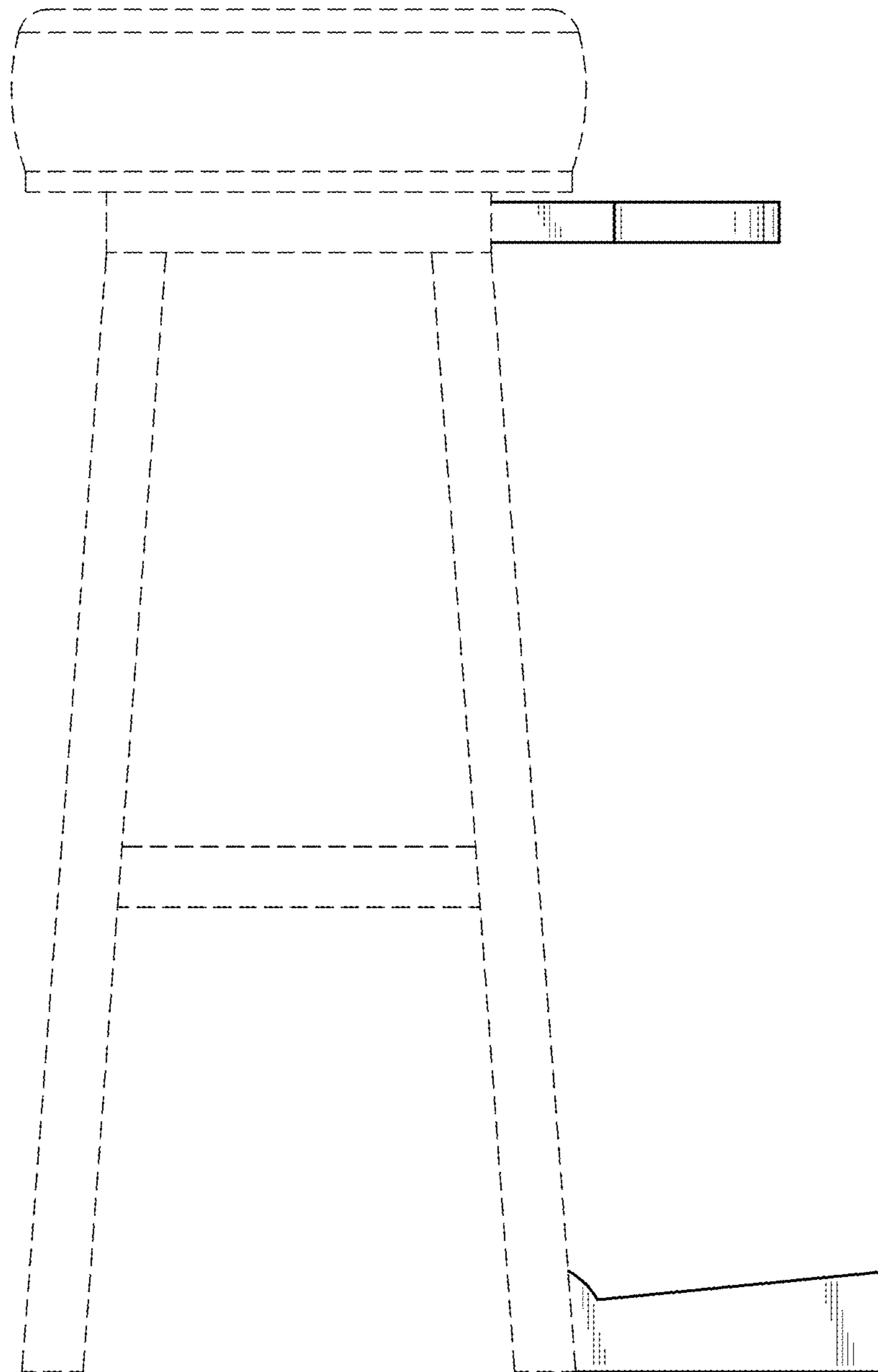


FIG. 4

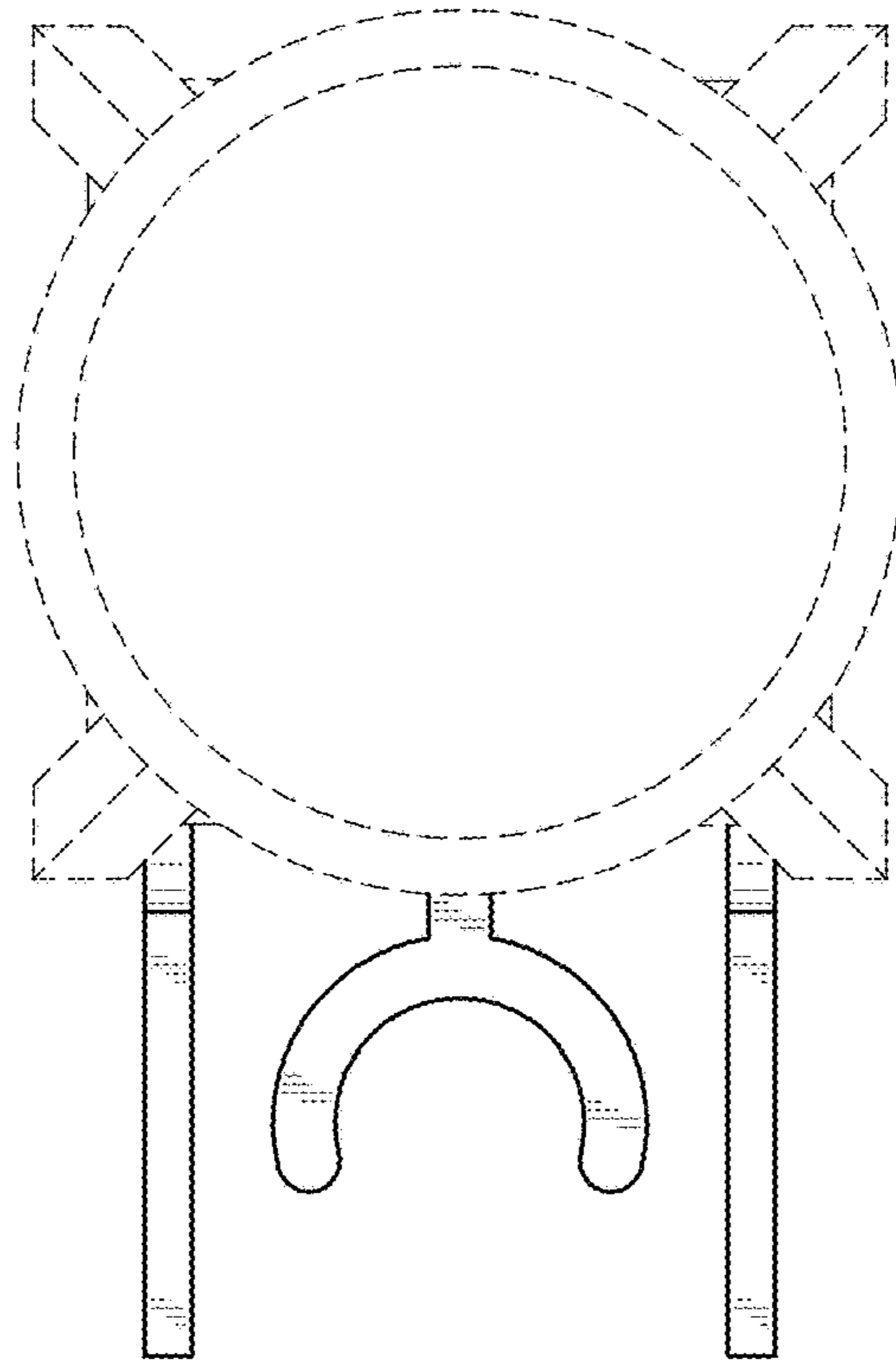


FIG. 5

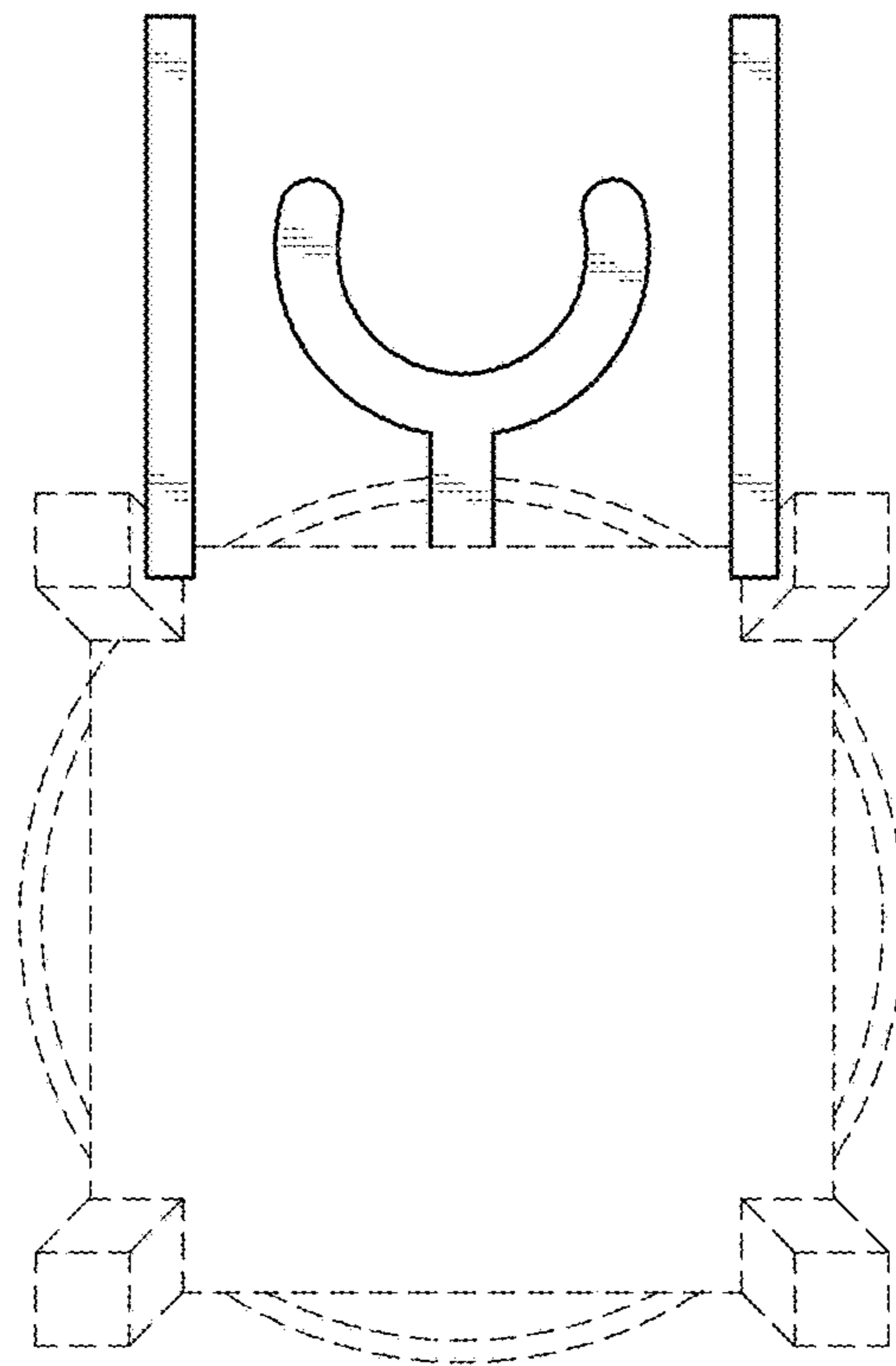


FIG. 6