



US00D813576S

(12) **United States Design Patent** (10) **Patent No.:** **US D813,576 S**  
**Schwalbach et al.** (45) **Date of Patent:** **\*\* Mar. 27, 2018**

(54) **DISPLAY STAND COMPONENT**

(56) **References Cited**

(71) Applicant: **Apple Inc.**, Cupertino, CA (US)  
(72) Inventors: **Charles A. Schwalbach**, Menlo Park, CA (US); **Sheng Yang**, Mountain View, CA (US); **Russell John Kaaihue Heirakuji**, Cupertino, CA (US); **Carly Lynn Marasco**, Los Gatos, CA (US); **Michael Gorman**, Dublin, CA (US)

U.S. PATENT DOCUMENTS

D214,768 S 7/1969 Hillis  
D244,857 S 6/1977 Hayes  
D250,801 S 1/1979 Bergen et al.  
D268,743 S 4/1983 Lubin  
D314,501 S 2/1991 Pagano  
D367,408 S 2/1996 Fordyce  
(Continued)

(73) Assignee: **Apple Inc.**, Cupertino, CA (US)

FOREIGN PATENT DOCUMENTS

(\*\*) Term: **15 Years**

JP D1430086 12/2011  
KR 30-0337376 11/2003

(21) Appl. No.: **29/609,617**

OTHER PUBLICATIONS

(22) Filed: **Jul. 3, 2017**

“Freedom Series,” Takachiho Koheki Co., Ltd., cited in Office Action dated Apr. 6, 2016, in Japanese Patent Application No. 2015-009263, Apple Inc., filed Apr. 24, 2015.

**Related U.S. Application Data**

(63) Continuation of application No. 29/588,390, filed on Dec. 20, 2016, now Pat. No. Des. 791,521, and a continuation of application No. 29/588,391, filed on Dec. 20, 2016, now Pat. No. Des. 792,133, said application No. 29/588,390 is a continuation of application No. 29/564,382, filed on May 12, 2016, now Pat. No. Des. 777,482, said application No. 29/588,391 is a continuation of application No. 29/564,382, which is a continuation of application No. 29/537,088, filed on Aug. 21, 2015, now Pat. No. Des. 756,152.

*Primary Examiner* — Kelley Donnelly

(74) *Attorney, Agent, or Firm* — Sterne, Kessler, Goldstein & Fox P.L.L.C.

(51) **LOC (11) Cl.** ..... **06-06**

(57) **CLAIM**

The ornamental design for a display stand component, as shown and described.

(52) **U.S. Cl.**

USPC ..... **D6/677.4**

**DESCRIPTION**

(58) **Field of Classification Search**

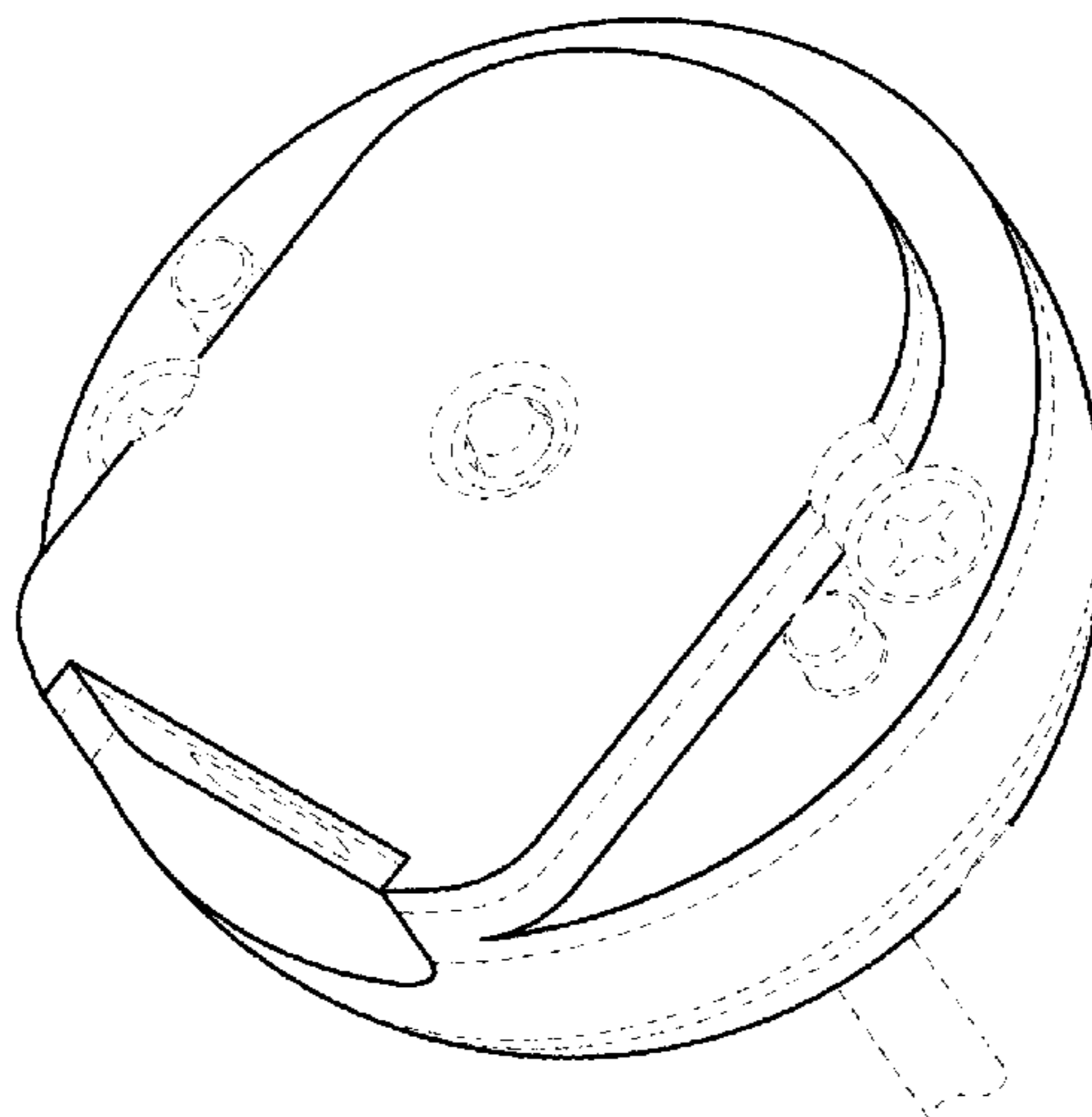
USPC ..... D6/672, 673, 677, 677.4; D14/203.8, D14/204–205, 216, 217, 224, 224.1, 228, D14/229; D3/328

CPC ..... A45F 2005/002; A45F 5/00; A45F 2200/0508; A45F 2200/0525

See application file for complete search history.

FIG. 1 is a top front perspective view of a display stand component showing the claimed design; FIG. 2 is a front view thereof; FIG. 3 is a rear view thereof; FIG. 4 is a left side view thereof; FIG. 5 is a right side view thereof; FIG. 6 is a top view thereof; and, FIG. 7 is a bottom view thereof. The broken lines in the figures show portions of the display stand component that form no part of the claimed design.

**1 Claim, 4 Drawing Sheets**



(56)

References Cited

U.S. PATENT DOCUMENTS

D393,959 S	5/1998	Geier et al.	D687,440 S	8/2013	Shieh	
D407,408 S	3/1999	Hoff	D695,714 S	12/2013	Lee	
D446,043 S	8/2001	Stoppenhagen et al.	D696,259 S *	12/2013	Howarth .....	D14/447
6,476,717 B1	11/2002	Gross et al.	D696,674 S	12/2013	Vogel	
D485,710 S	1/2004	Burkhart et al.	D698,568 S *	2/2014	Chen .....	D6/407
D488,741 S	4/2004	Moya	D703,657 S	4/2014	Carnevali	
D490,559 S	5/2004	Small	D704,199 S	5/2014	Byun	
D510,358 S	10/2005	Ezure	D709,066 S	7/2014	Byun	
7,209,038 B1	4/2007	Deconinck et al.	D709,357 S	7/2014	Bell	
D542,279 S	5/2007	Chan	D709,607 S	7/2014	Wang	
D545,826 S	7/2007	Richter	D720,752 S	1/2015	Bleeds	
D589,962 S	4/2009	Maruyama et al.	D729,043 S	5/2015	Poppell	
D590,184 S	4/2009	Barabas et al.	D731,496 S	6/2015	Voorhees	
D599,241 S	9/2009	Andre et al.	D733,967 S	7/2015	Schlatter	
D608,718 S	1/2010	Nas et al.	D734,746 S	7/2015	Vogel	
D612,837 S	3/2010	Murray	D735,162 S	7/2015	Allen	
7,724,135 B2	5/2010	Rapp et al.	D741,093 S	10/2015	McKinney et al.	
D617,383 S	6/2010	Yoon	D743,941 S	11/2015	Patsis	
7,740,214 B2	6/2010	Marsilio et al.	D744,621 S	12/2015	Shavatt et al.	
7,748,669 B2	7/2010	Lu et al.	D756,152 S *	5/2016	Schwalbach .....	D6/677.4
D628,203 S	11/2010	Noble	D777,482 S *	1/2017	Schwalbach .....	D6/677.4
D629,405 S	12/2010	Crysell	D789,373 S *	6/2017	King .....	D14/413
D641,610 S	7/2011	Sedalo	D798,808 S *	10/2017	Ptok .....	D13/108
D645,047 S	9/2011	Wike	D801,414 S *	10/2017	Martin .....	D16/242
8,020,816 B2	9/2011	Laitila et al.	2006/0198692 A1	9/2006	Petit	
D652,422 S	1/2012	Cheng	2009/0218240 A1	9/2009	Allen	
8,087,625 B2	1/2012	Chang	2011/0047844 A1	3/2011	Fawcett et al.	
8,145,821 B2	3/2012	Mead et al.	2011/0068919 A1	3/2011	Rapp et al.	
D663,972 S	7/2012	Alexander et al.	2011/0084838 A1	4/2011	Fawcett	
D673,960 S	1/2013	Lindfield et al.	2011/0187531 A1	8/2011	Oehl et al.	
D682,814 S	5/2013	Kadivar et al.	2012/0188082 A1	7/2012	Berglund et al.	
D685,253 S	7/2013	Hiebert	2012/0280810 A1	11/2012	Wheeler	
			2014/0106608 A1	4/2014	Howarth et al.	
			2015/0021458 A1	1/2015	Zorovich et al.	

\* cited by examiner

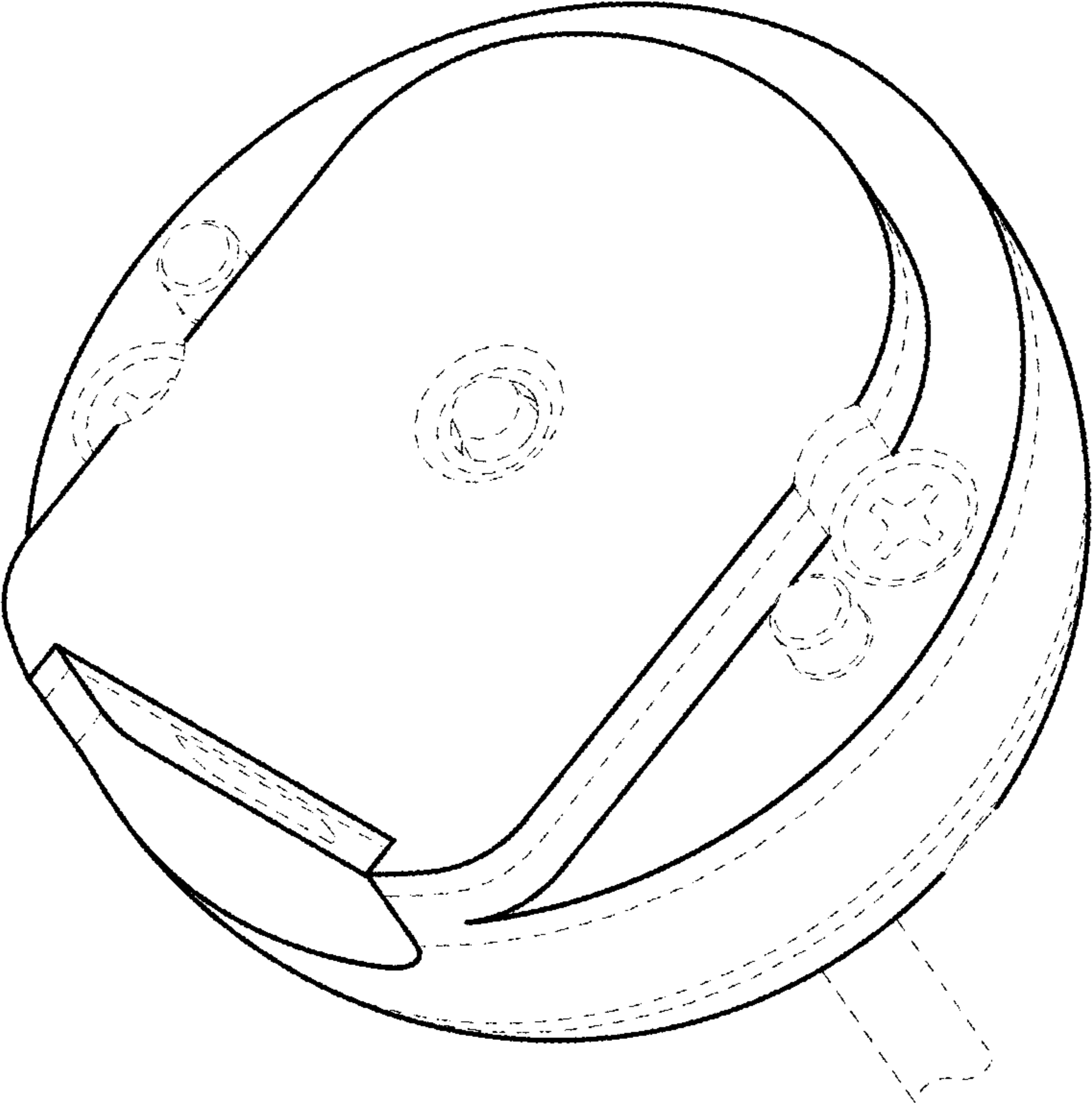


FIG. 1

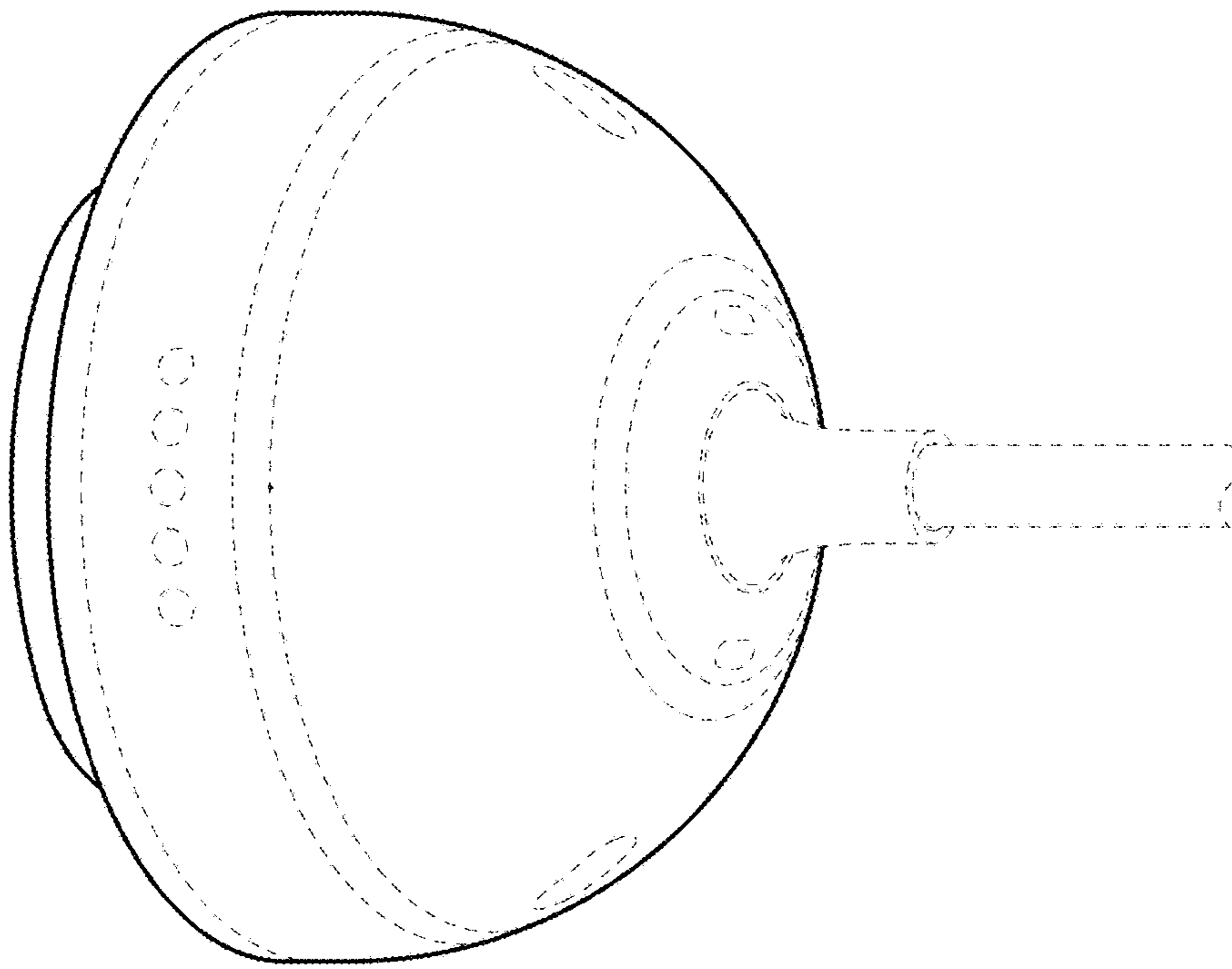


FIG. 2

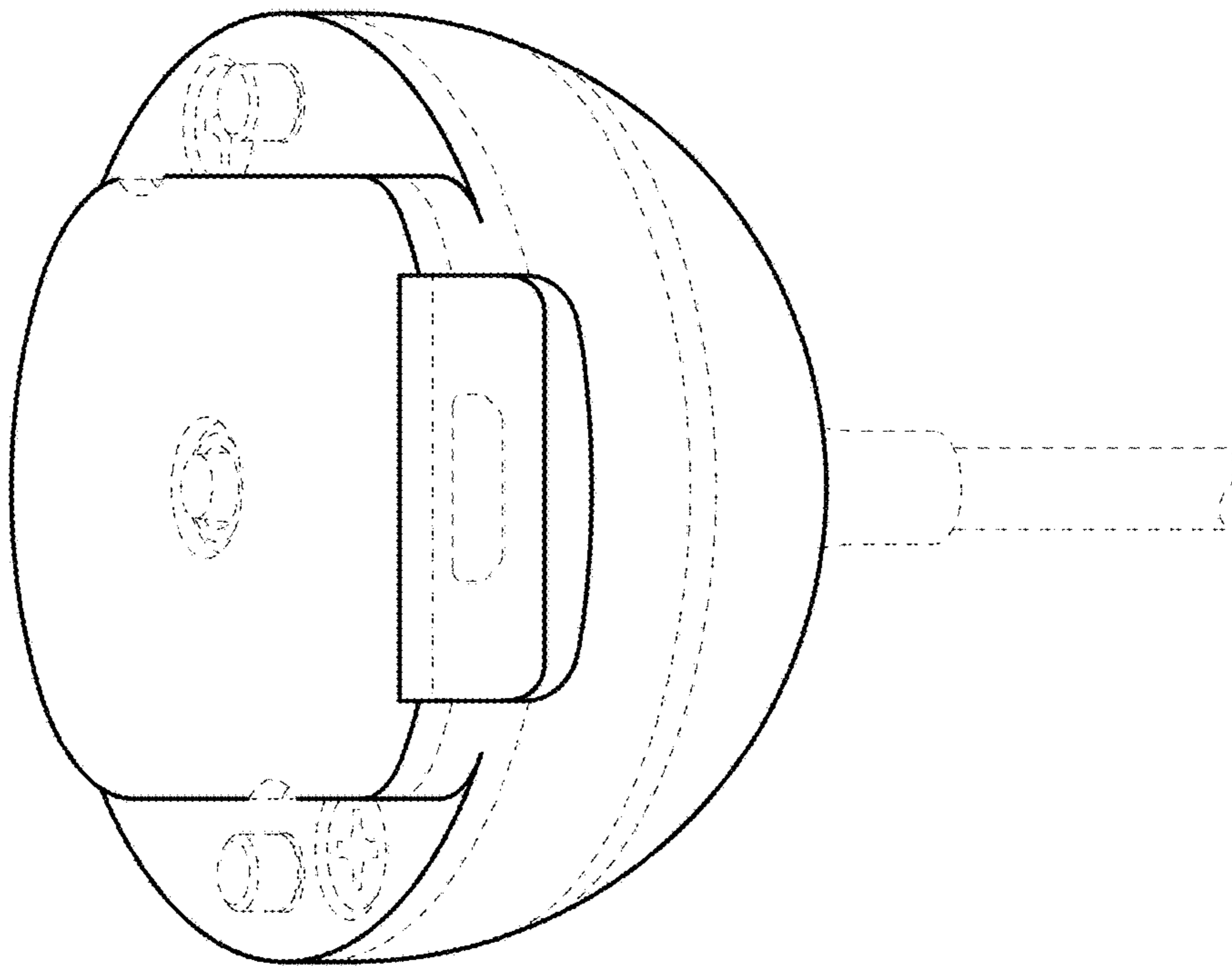


FIG. 3

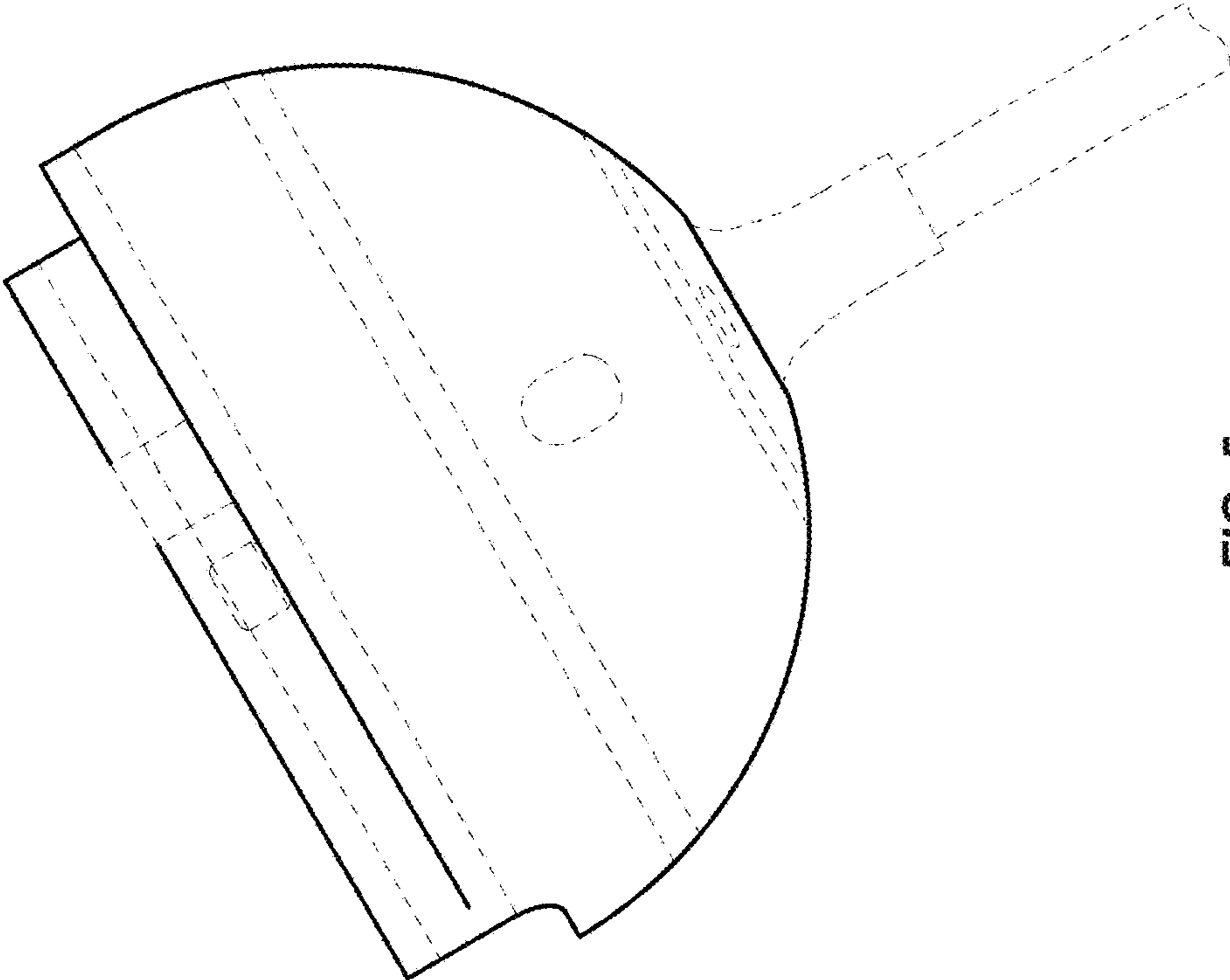


FIG. 5

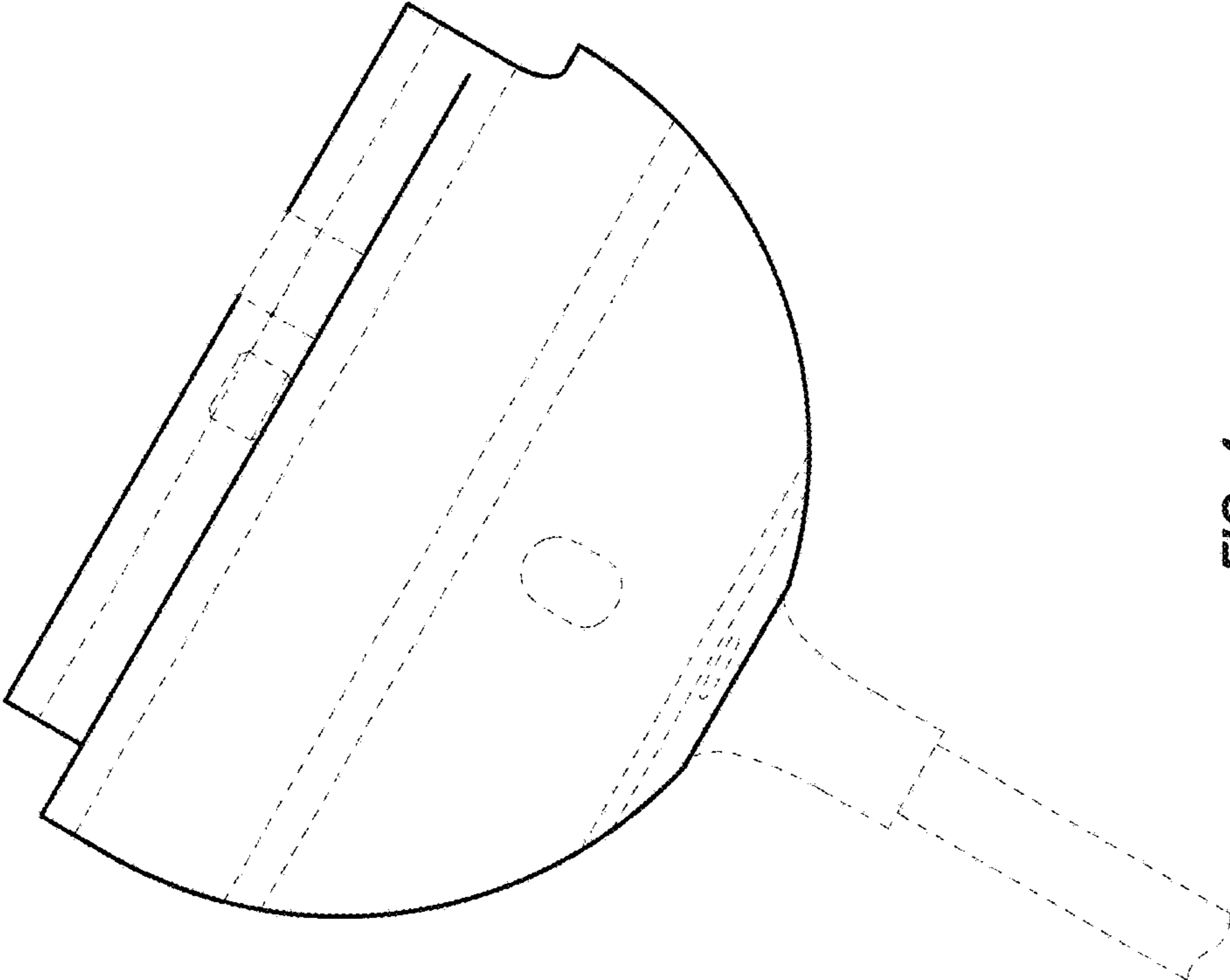


FIG. 4

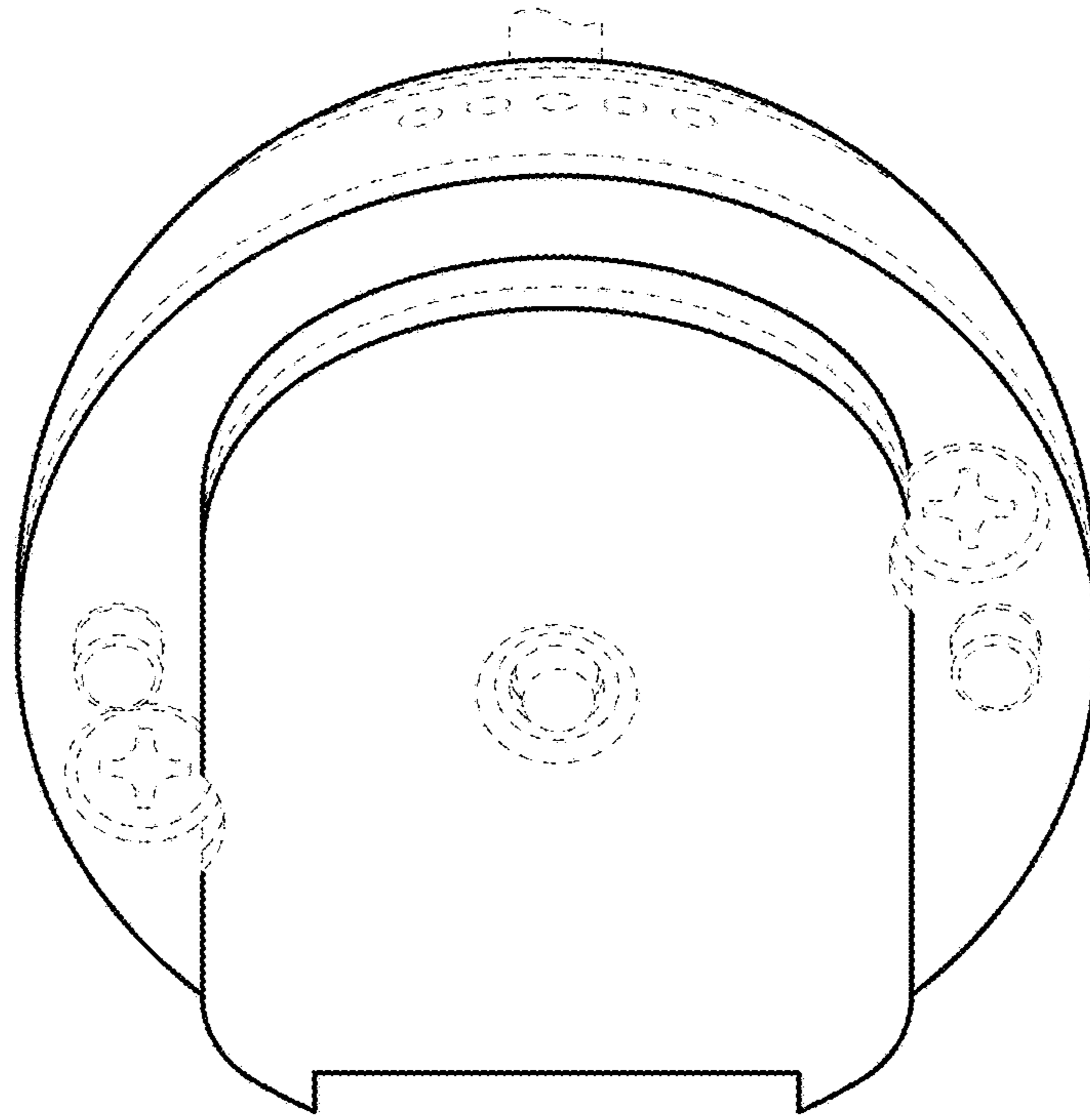


FIG. 6

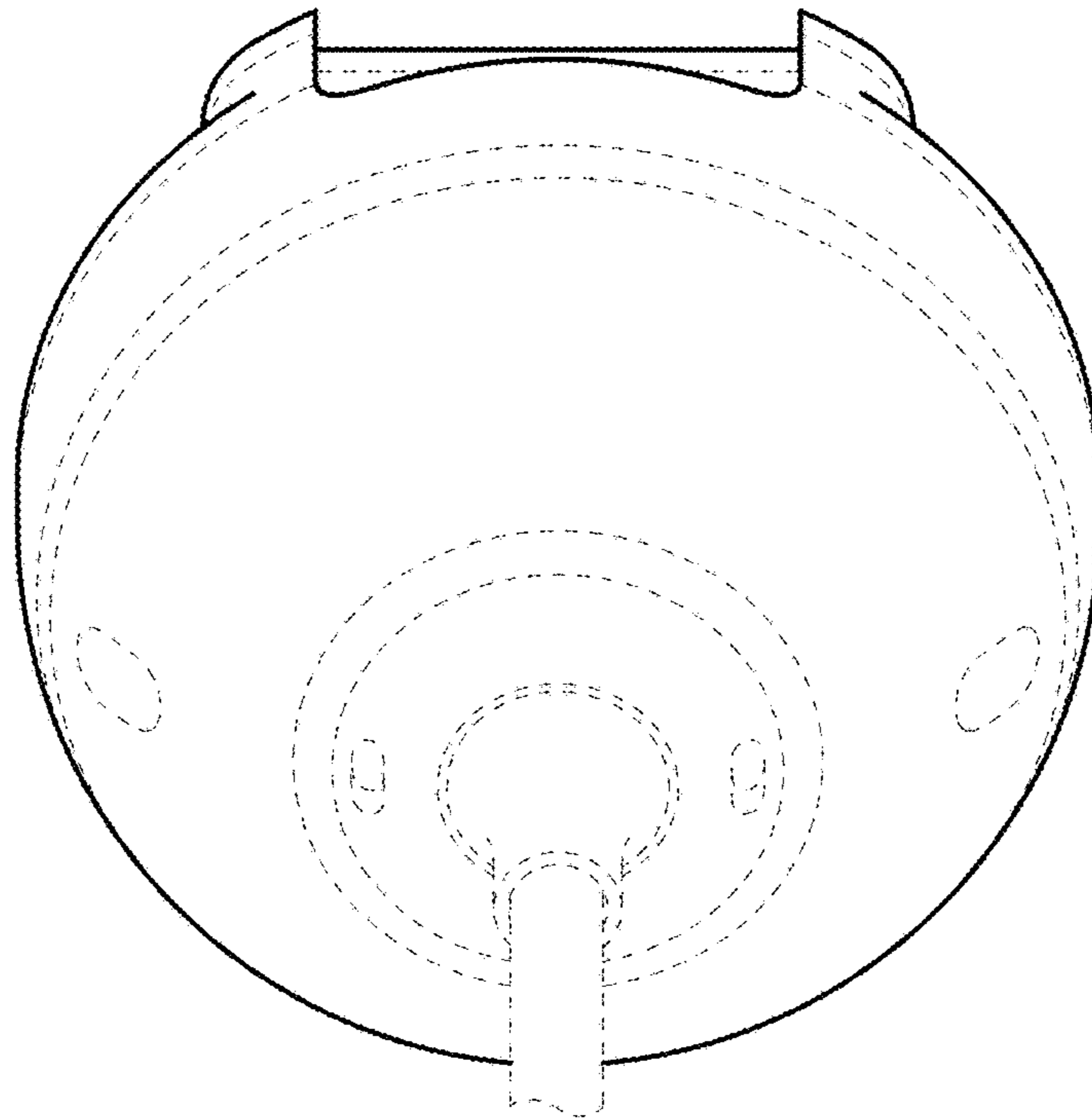


FIG. 7

UNITED STATES PATENT AND TRADEMARK OFFICE  
**CERTIFICATE OF CORRECTION**

PATENT NO. : D813,576 S  
APPLICATION NO. : 29/609617  
DATED : March 27, 2018  
INVENTOR(S) : Schwalbach et al.

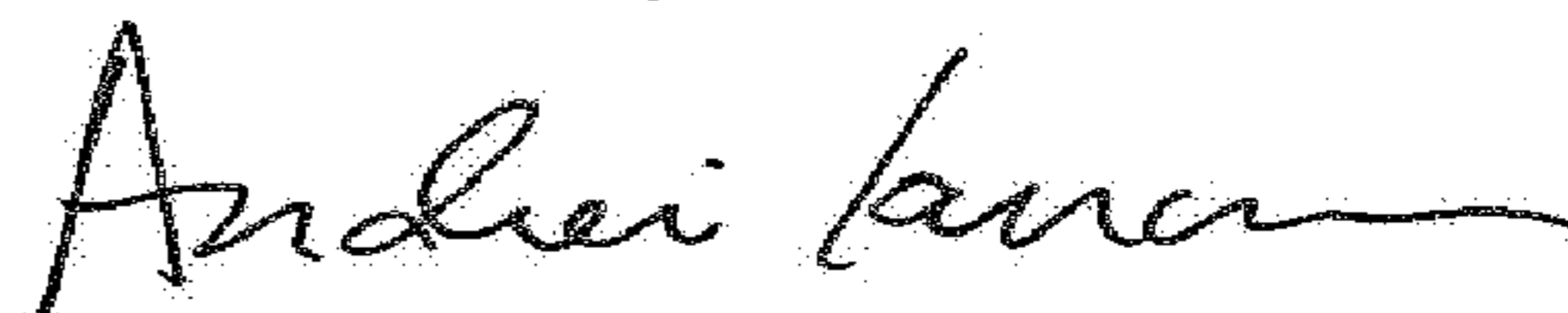
Page 1 of 1

It is certified that error appears in the above-identified patent and that said Letters Patent is hereby corrected as shown below:

On the Title Page

In the "Related U.S. Application Data" Item (63), after "now Pat. No. Des. 756,152", insert --, which is a continuation of application No. 29/507,269, filed on Oct. 24, 2014, now Pat. No. Des. 737,081.--

Signed and Sealed this  
Fifth Day of June, 2018



Andrei Iancu  
*Director of the United States Patent and Trademark Office*