



US00D813575S

(12) **United States Design Patent**  
**Kraemer**

(10) **Patent No.:** **US D813,575 S**  
(45) **Date of Patent:** **\*\* Mar. 27, 2018**

- (54) **ORGANIZER RACK**
- (71) Applicant: **InterDesign, Inc.**, Solon, OH (US)
- (72) Inventor: **Kevin Francis Kraemer**, Cuyahoga Falls, OH (US)
- (73) Assignee: **InterDesign, Inc.**, Solon, OH (US)
- (\*\*) Term: **15 Years**
- (21) Appl. No.: **29/547,268**
- (22) Filed: **Dec. 2, 2015**

D296,630	S	*	7/1988	Renold	.....	D6/675.3
D336,802	S	*	6/1993	Eidsmoe	.....	D19/75
D372,374	S	*	8/1996	Weterrings	.....	D6/663
5,570,540	A	*	11/1996	Womack	.....	A47G 7/041
						211/186
6,619,482	B1	*	9/2003	King	.....	A61J 7/0069
						206/747
D507,431	S	*	7/2005	Goth	.....	D6/675.3
D518,316	S	*	4/2006	Gusdorf	.....	D6/675.3
D524,577	S	*	7/2006	Gusdorf	.....	D6/675.3
D543,383	S	*	5/2007	Edison	.....	D6/675.3
D555,936	S	*	11/2007	King	.....	D6/675.3
D599,582	S	*	9/2009	DeCardenas	.....	D6/675.3
D618,280	S	*	6/2010	Siegel	.....	D19/85
D642,582	S	*	8/2011	Largy	.....	D14/447
D669,528	S	*	10/2012	Strain	.....	D19/105
D680,353	S	*	4/2013	Hawkins	.....	D6/682.4
D699,989	S	*	2/2014	Plikat	.....	D6/682.4
D716,590	S	*	11/2014	Hsu	.....	D6/675.3
D720,951	S	*	1/2015	Hawkins	.....	D6/682.2
D796,874	S	*	9/2017	Greenwood	.....	D6/675.3
D801,089	S	*	10/2017	Greenwood	.....	D6/675.3

**Related U.S. Application Data**

- (63) Continuation of application No. 29/449,963, filed on Mar. 15, 2013, now Pat. No. Des. 747,102.
- (51) **LOC (11) Cl.** ..... **06-06**
- (52) **U.S. Cl.**  
USPC ..... **D6/675.3**
- (58) **Field of Classification Search**  
USPC ..... D6/672, 675, 675.2, 675.1, 675.3;  
D7/600.1, 600.4, 601-602  
CPC ..... A47B 73/00; A47B 81/00; A47F 5/0018;  
A47F 5/16; A47F 7/00; A47F 7/28; A47J  
47/16  
See application file for complete search history.

\* cited by examiner

*Primary Examiner* — Kelley Donnelly  
(74) *Attorney, Agent, or Firm* — Calfee, Halter & Griswold, LLP

(57) **CLAIM**

I claim the ornamental design for organizer rack, as shown and described.

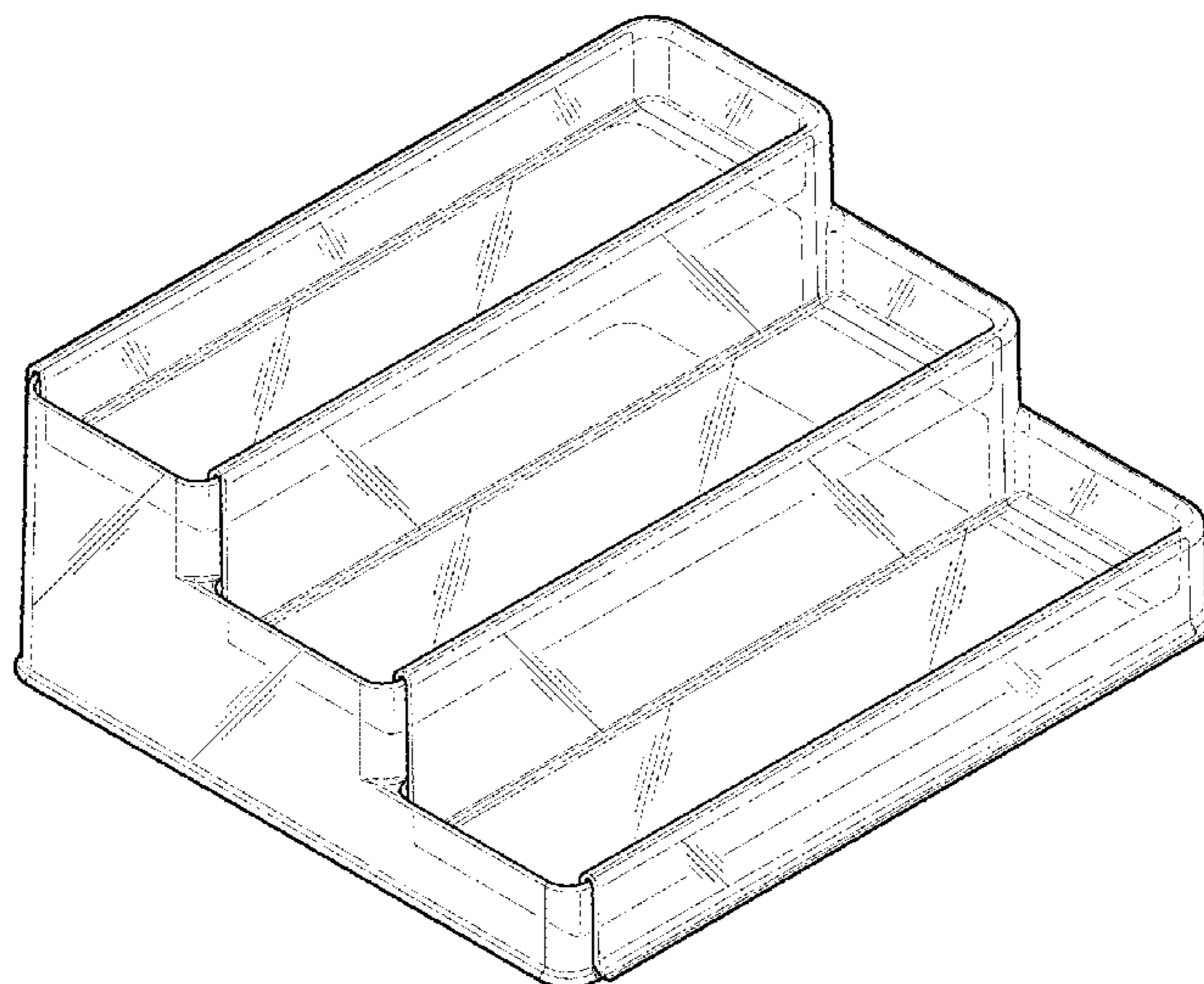
**DESCRIPTION**

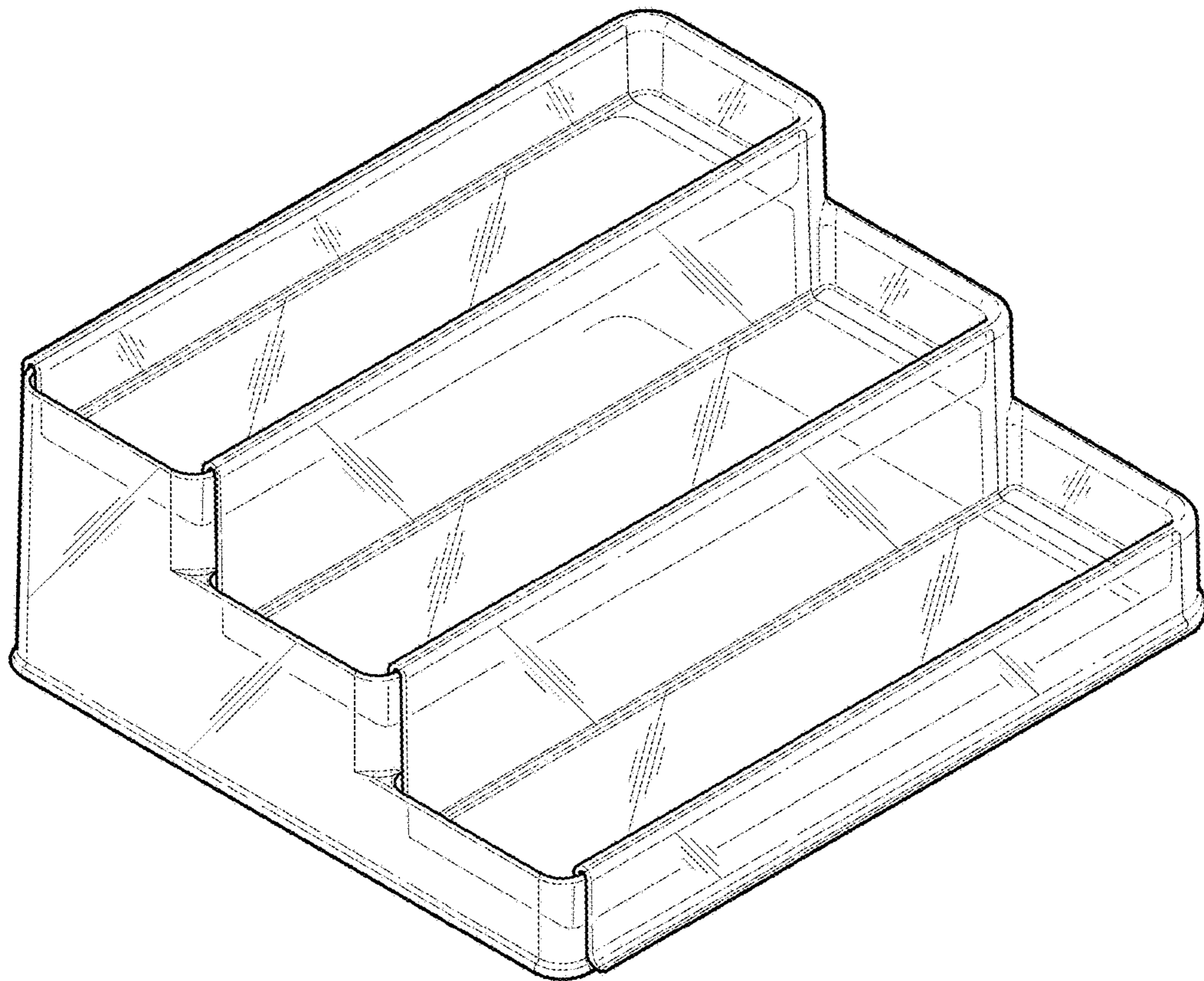
FIG. 1 is a front/left/top perspective view of an organizer rack;  
FIG. 2 is a front elevational view thereof;  
FIG. 3 is a rear elevational view thereof;  
FIG. 4 is a right side elevational view thereof;  
FIG. 5 is a top plan view thereof; and,  
FIG. 6 is a bottom plan view thereof.  
The broken lines form no part of the claimed invention.

**1 Claim, 5 Drawing Sheets**

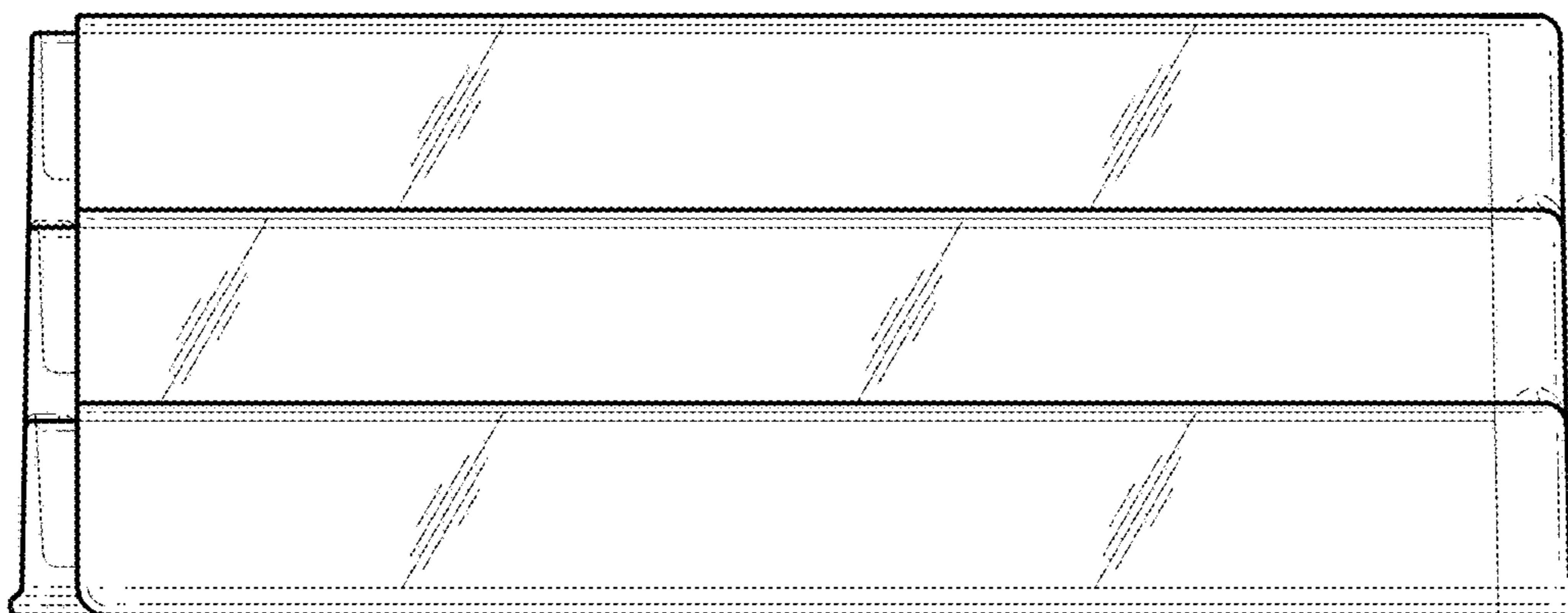
(56) **References Cited**  
U.S. PATENT DOCUMENTS

D28,203	S	*	1/1898	Shelverton	.....	D11/133
2,321,339	A	*	6/1943	Wadsworth	.....	A47F 7/02
						206/560
D157,024	S	*	1/1950	Bacco et al.	.....	D6/675.3
D207,564	S	*	5/1967	Hartford	.....	D7/600.1
3,870,333	A	*	3/1975	Burdick	.....	E06C 1/397
						182/132
4,667,822	A	*	5/1987	Coopmans	.....	B25H 3/04
						206/223

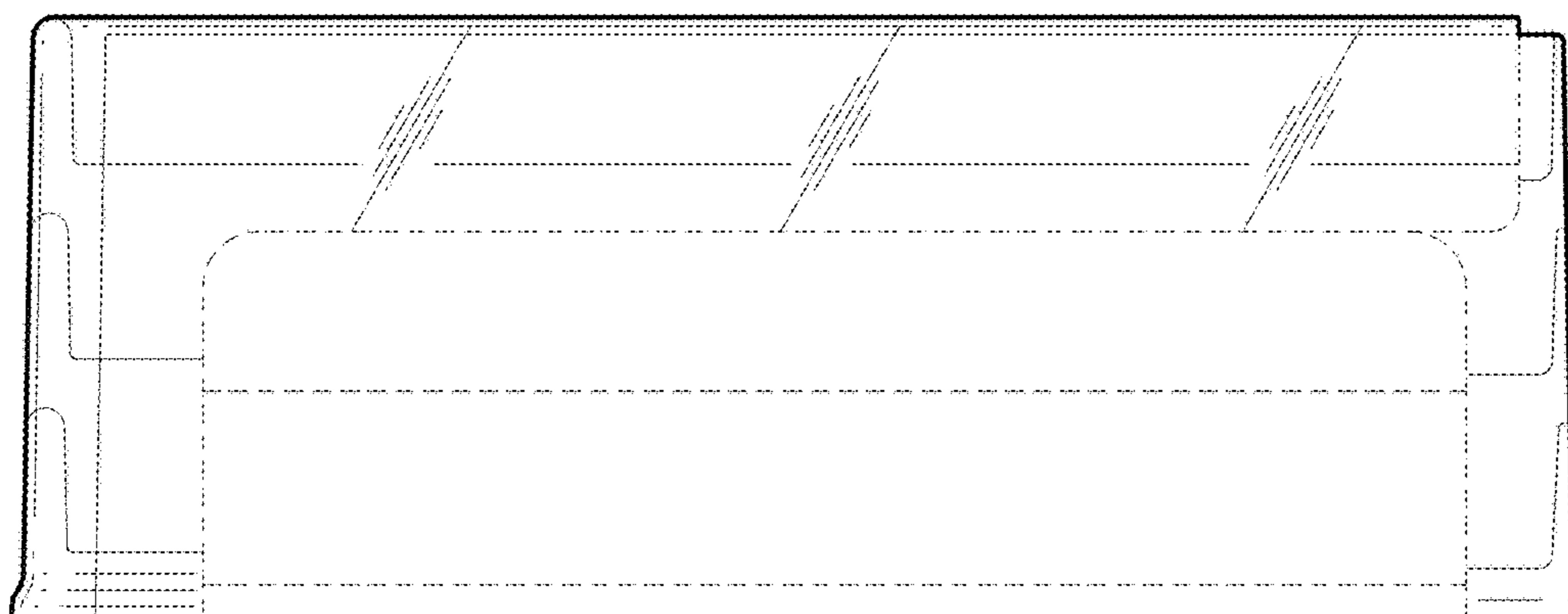




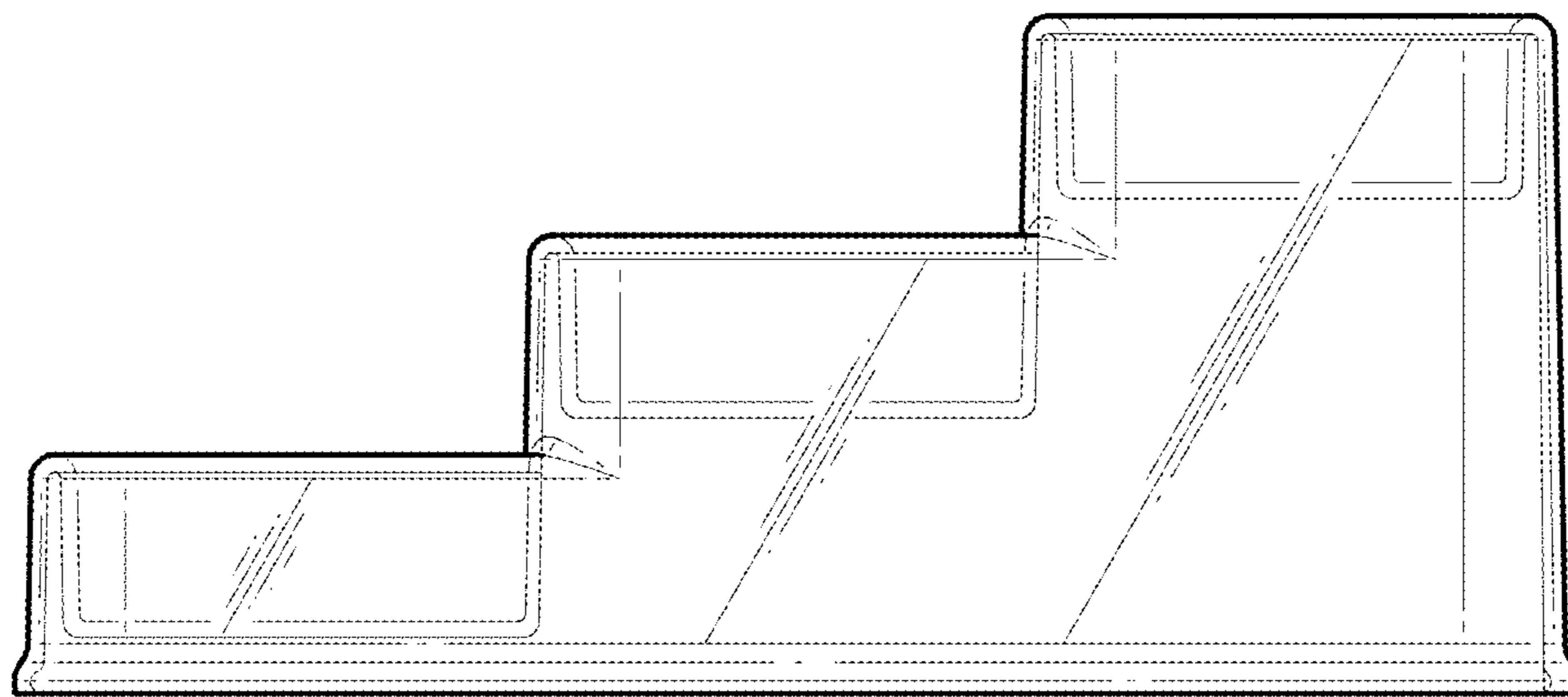
**FIG. 1**



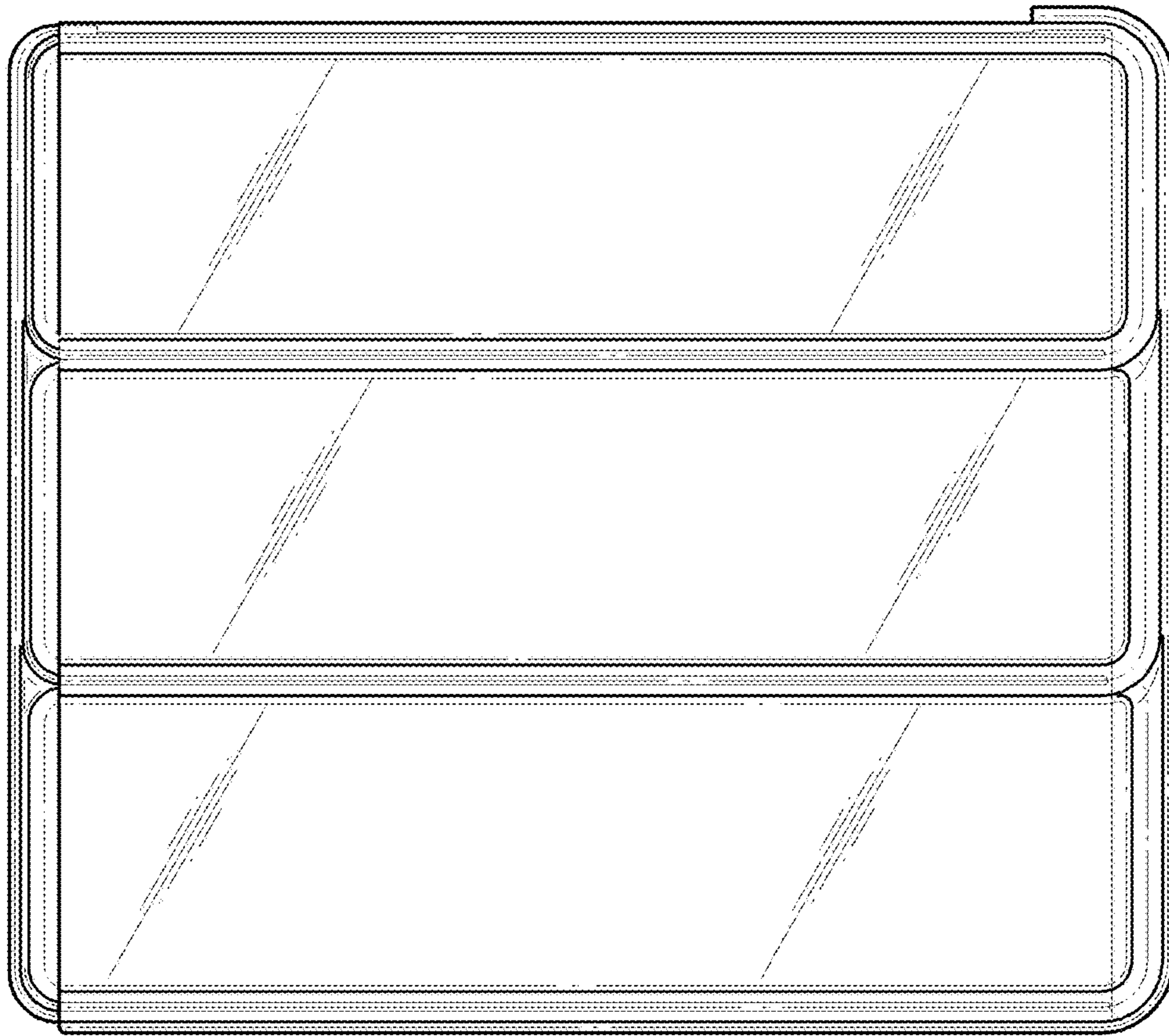
**FIG. 2**



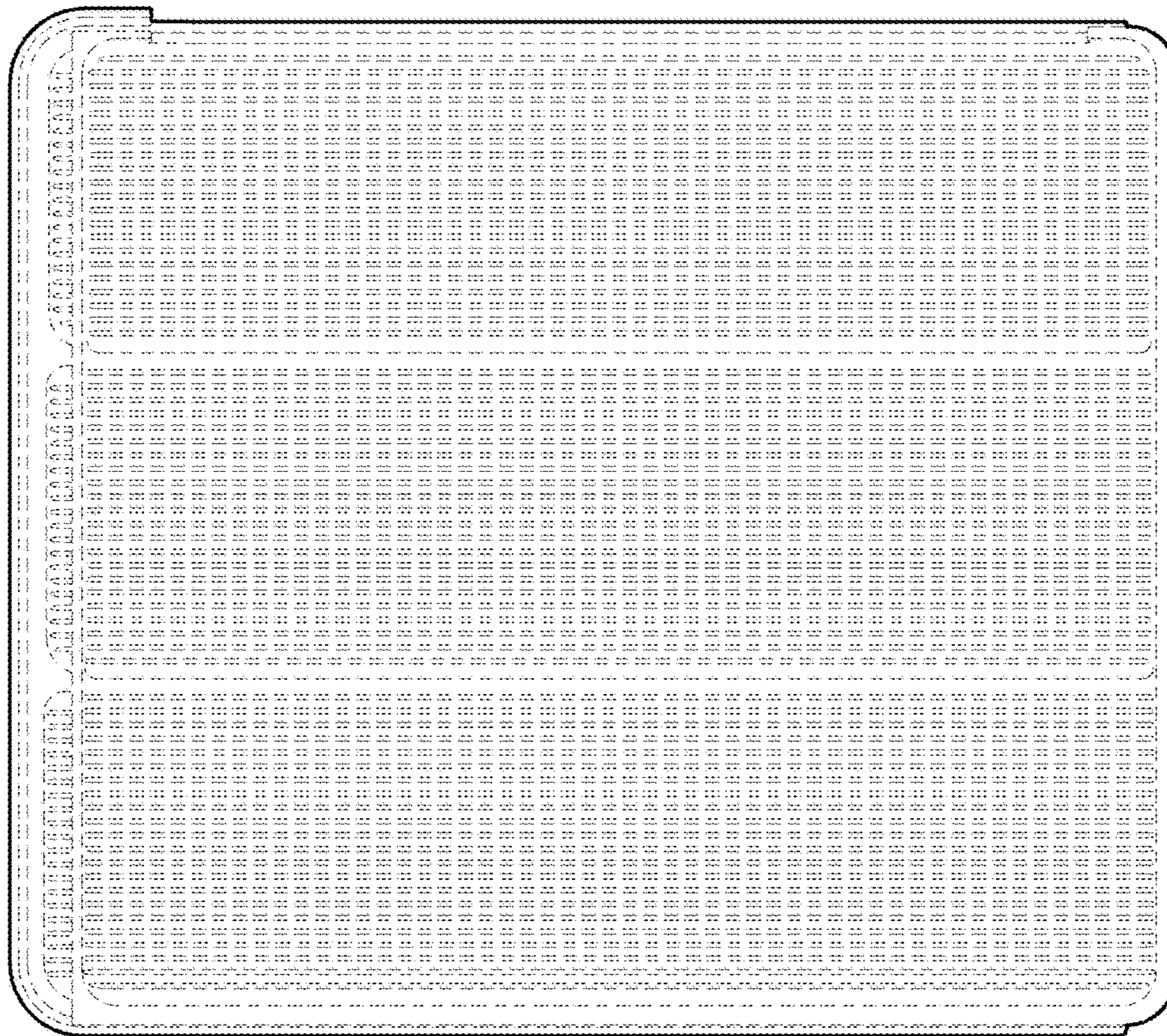
**FIG. 3**



**FIG. 4**



**FIG. 5**



**FIG. 6**