



US00D813574S

(12) **United States Design Patent**
Patton

(10) **Patent No.:** **US D813,574 S**
(45) **Date of Patent:** **** Mar. 27, 2018**

(54) **CABINET**

(71) Applicant: **Varidesk, LLC**, Coppell, TX (US)

(72) Inventor: **David Patton**, Flower Mound, TX (US)

(73) Assignee: **Varidesk, LLC**, Coppell, TX (US)

(**) Term: **15 Years**

(21) Appl. No.: **29/583,105**

(22) Filed: **Nov. 2, 2016**

(51) **LOC (11) Cl.** **06-04**

(52) **U.S. Cl.**
USPC **D6/671.1**

(58) **Field of Classification Search**
USPC D3/288, 304, 307, 309; D6/334–336,
D6/349, 351, 352, 358, 360, 361, 364,
D6/365, 366, 374, 375, 379, 380,
D6/559–561, 611, 632, 657, 662.1, 663,
D6/666, 668.1, 668.2, 669, 671, 671.1,
D6/672, 674, 675, 675.1, 675.3, 683,
D6/683.1, 685, 691, 691.5, 699, 702, 703,
(Continued)

(56) **References Cited**

U.S. PATENT DOCUMENTS

D109,708 S * 5/1938 Finley D23/342
4,087,143 A * 5/1978 Barnard E05D 7/1061
126/190

(Continued)

OTHER PUBLICATIONS

“Poppin Black Stow 3-Drawer File Cabinet, Available in 10 Colors, Legal/Letter” Jul. 30, 2014, amazon.com, site visited Nov. 3, 2017

<<https://www.amazon.com/Poppin-3-Drawer-Cabinet-Available-Colors/dp/B00MADHEAE>> (Year: 2014).*

(Continued)

Primary Examiner — Kevin K Rudzinski

Assistant Examiner — Paul D Bohannon

(74) *Attorney, Agent, or Firm* — Venable LLP; Steven J. Schwarz

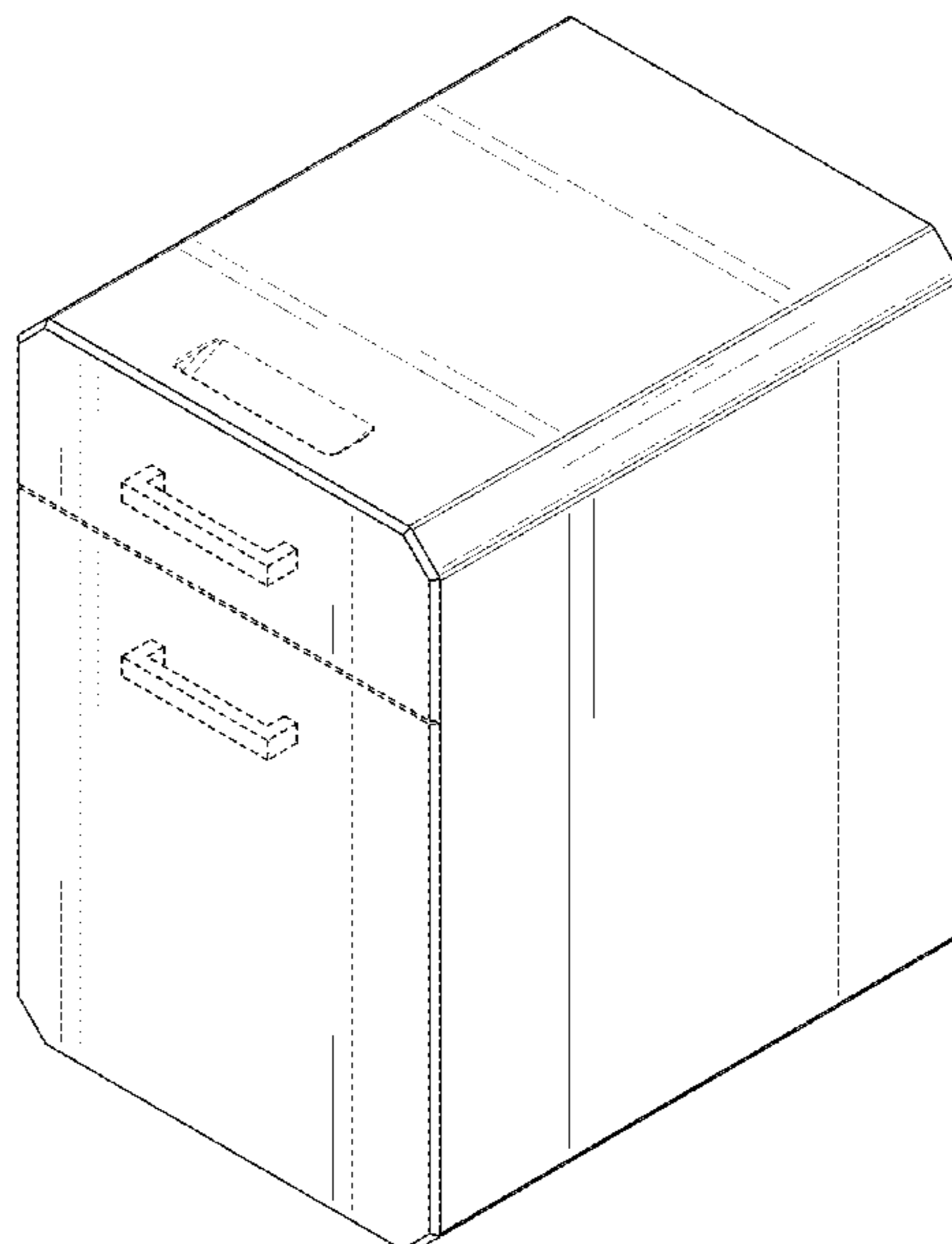
(57) **CLAIM**

The ornamental design for a cabinet, as shown and described.

DESCRIPTION

FIG. 1 is a perspective view of a cabinet according to a first embodiment of the claimed design;
FIG. 2 is a front elevational view of the cabinet of FIG. 1;
FIG. 3 is a rear elevational view of the cabinet of FIG. 1;
FIG. 4 is a left side elevational view of the cabinet of FIG. 1;
FIG. 5 is a right side elevational view of the cabinet of FIG. 1;
FIG. 6 is a top elevational view of the cabinet of FIG. 1;
FIG. 7 is a bottom elevational view of the cabinet of FIG. 1;
FIG. 8 is a perspective view of a cabinet according to a second embodiment of the claimed design;
FIG. 9 is a front elevational view of the cabinet of FIG. 8;
FIG. 10 is a rear elevational view of the cabinet of FIG. 8;
FIG. 11 is a left side elevational view of the cabinet of FIG. 8;
FIG. 12 is a right side elevational view of the cabinet of FIG. 8;
FIG. 13 is a top elevational view of the cabinet of FIG. 8;
and,
FIG. 14 is a bottom elevational view of the cabinet of FIG. 8.
The features shown in broken lines are environment only and not part of the claimed design.

1 Claim, 14 Drawing Sheets



(58) **Field of Classification Search**

USPC D6/703.1, 708, 708.2, 708.21, 708.25,
 D6/716, 716.1–716.4; D7/306, 333;
 D12/402; D13/184; D15/79, 81, 127;
 D18/35.1; D20/1, 3, 8; D23/286, 342,
 D23/343; D24/227–230; D25/48.4, 113,
 D25/163; D99/28
 CPC A01K 15/025; A45C 11/16; A45C 13/02;
 A47F 7/02; A47F 3/002; A47F 3/043;
 A47F 5/08; A47G 1/02; A47G 1/12;
 A47G 1/00; A47G 29/12; A47K 3/281;
 B01D 3/148; B22F 3/1055; B42F 17/00;
 B60N 2/60; B60N 2/2881; B60N 2/6018;
 B60N 2/6036; E05B 53/001; E05C 3/042;
 E05C 7/04; E05C 19/001; E05F 1/006;
 E06B 3/7001; F25D 23/02; F25D
 2400/18; G07F 3/06; G07F 9/023; G07F
 9/00; G07F 9/10; G07F 11/00; G07F
 11/005; G07F 11/16; G07F 11/42; G07F
 11/46; G07F 11/58; G07F 13/06; G09B
 25/00; G09F 1/12; H02B 1/013; H02B
 1/014; H02B 1/308; H05K 9/0062; Y10S
 292/21; Y10T 70/5097

See application file for complete search history.

(56) **References Cited**

U.S. PATENT DOCUMENTS

D328,824 S * 8/1992 Bellini 312/225
 D341,776 S * 11/1993 Broyles D19/77
 D367,652 S * 3/1996 Beaumont D13/184
 D400,684 S * 11/1998 Dallman D99/28

D472,402 S * 4/2003 Wang D6/657
 D522,770 S * 6/2006 Easton D6/657
 D574,771 S * 8/2008 Flanigan D13/122
 D618,257 S * 6/2010 Hanamure D15/79
 D624,878 S * 10/2010 Uneo D13/119
 D625,122 S * 10/2010 Cartaya, III D6/671
 7,870,647 B2 * 1/2011 Steurer E05B 1/0015
 16/111.1
 8,456,819 B1 * 6/2013 Smith A47B 96/00
 312/223.1
 D694,556 S * 12/2013 Samsonoff D6/659
 D741,095 S * 10/2015 Leduc D6/705
 D759,995 S * 6/2016 Miller D6/668.2
 D762,744 S * 8/2016 Tissi D15/81
 D771,416 S * 11/2016 Miller D6/668.2
 D773,215 S * 12/2016 Kappler D6/671

OTHER PUBLICATIONS

“Black Stow 2-Drawer File Cabinet|Modern Office Furniture| Pop-
 pin,” accessed Nov. 2, 2016, <http://www.poppin.com/black-stow-2-drawer-file-cabinet-102896+%3A+102625.html?gdfi=172e81e84c1a44f2aba0c2930272fde6&gdfms=0E8DD918BF26458D94C06E2650EE6BB8&kid=4a7d71e6-cd11-480d-ae15-7a2f21094ff8&pd=Filing%20Cabinet%20&pla=True&gclid=C1zz3sSliNACFcJAhgod-oAGeQ>, pp. 1-5.

Accent Paints Home Office Furniture Gallery, “Cabinet & Storage:
 Magnificent Rolling File Cabinets 2 Drawer Storage Plastic Mate-
 rial Lockable Drawer Contemporary Style Black Grey Color,”
 accessed Nov. 2, 2016, http://accentpaints.com/attractive-rolling-file-cabinets/magnificent-rolling-file-cabinets_2-drawer-storage_plasic-material_lockable-drawer_contemporary-style_black-grey-color/, pp. 1-4.

* cited by examiner

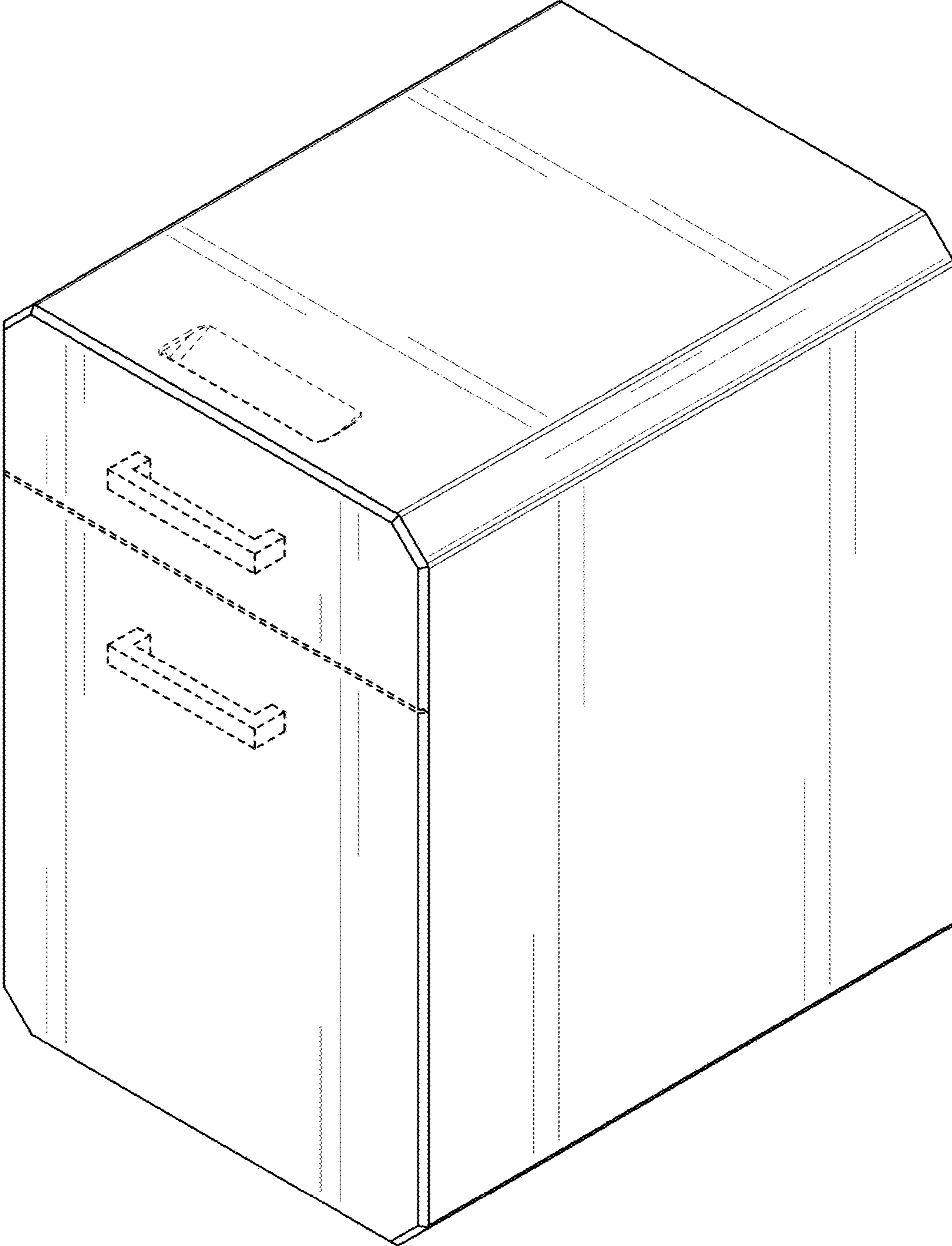


FIG. 1

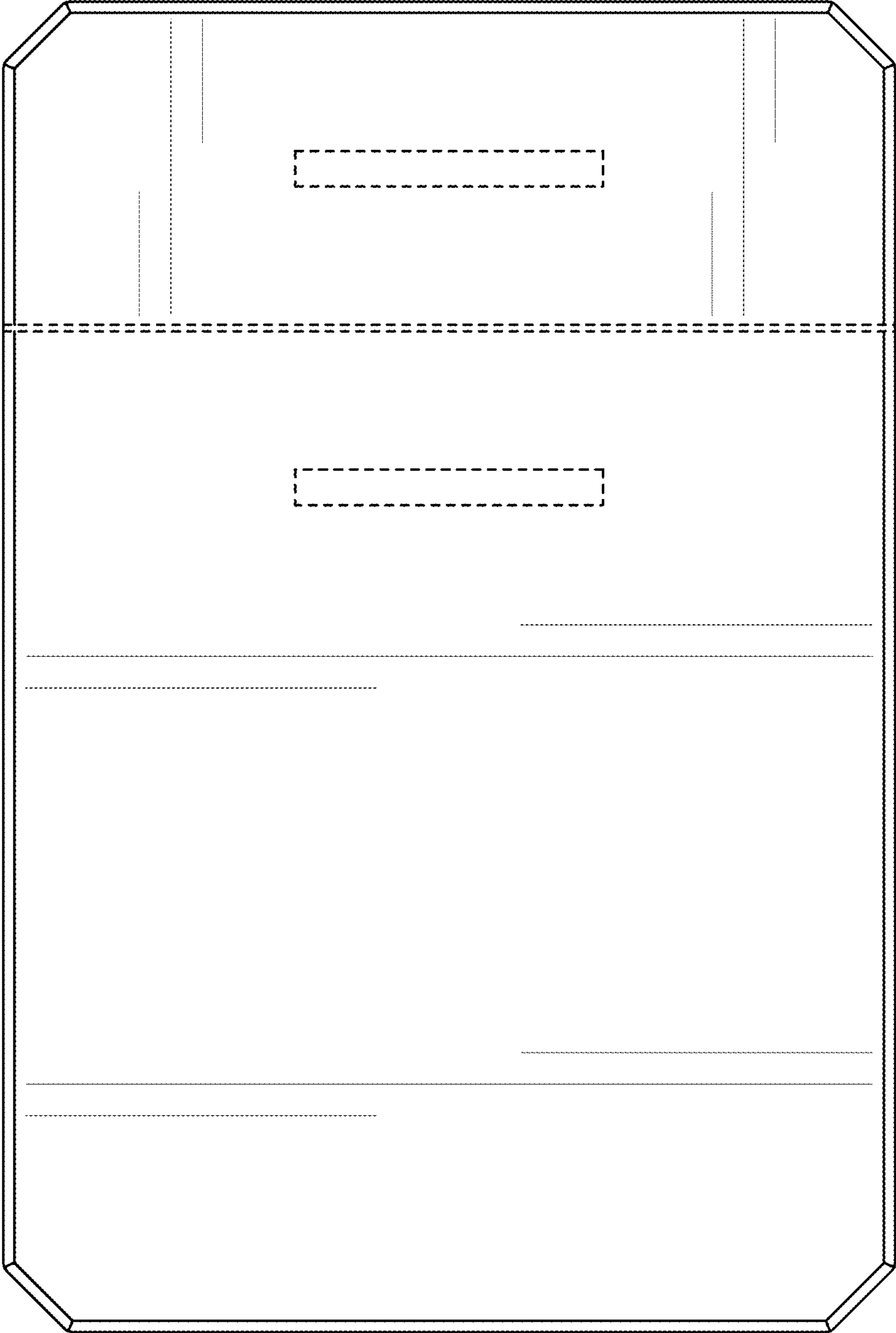


FIG. 2

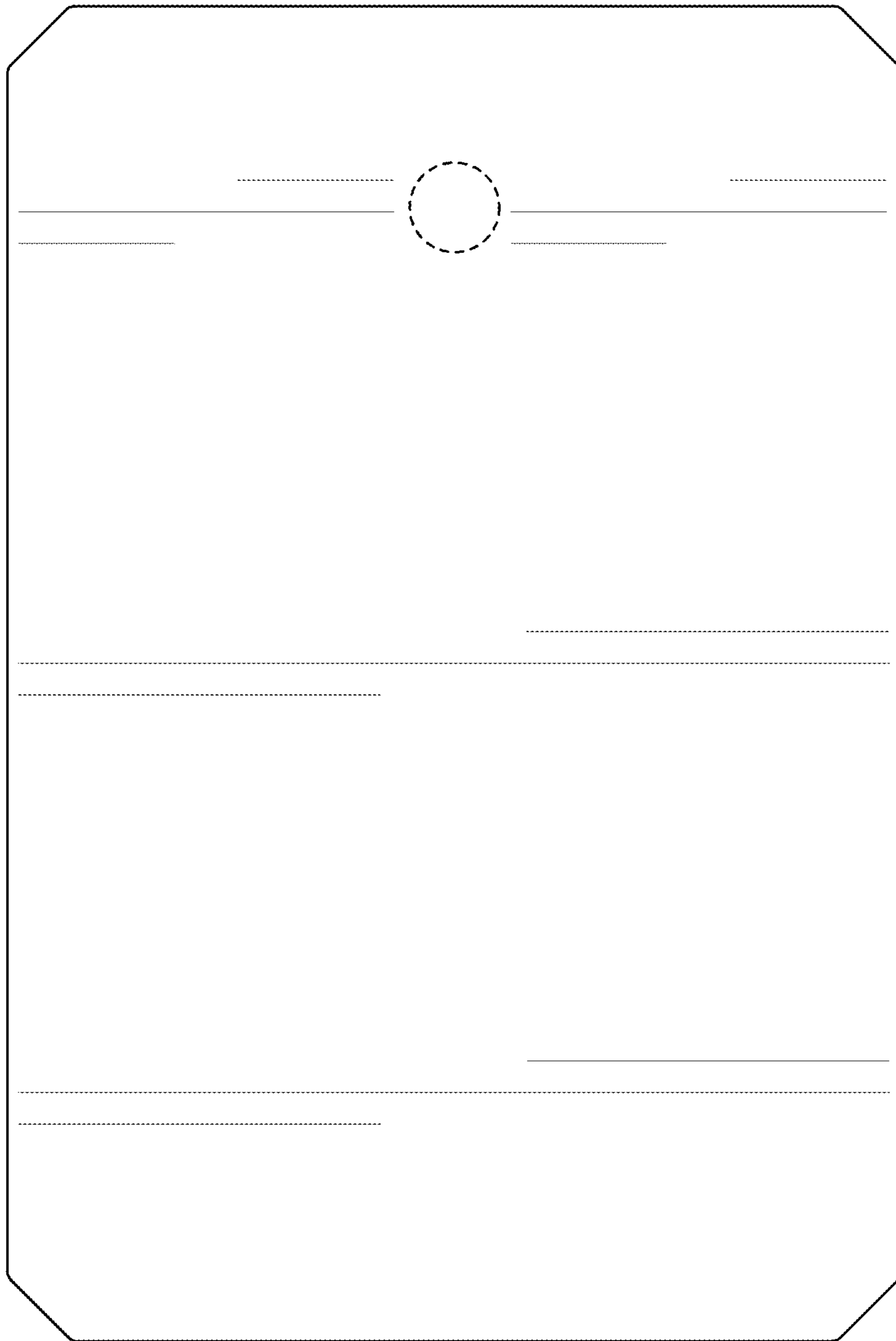


FIG. 3

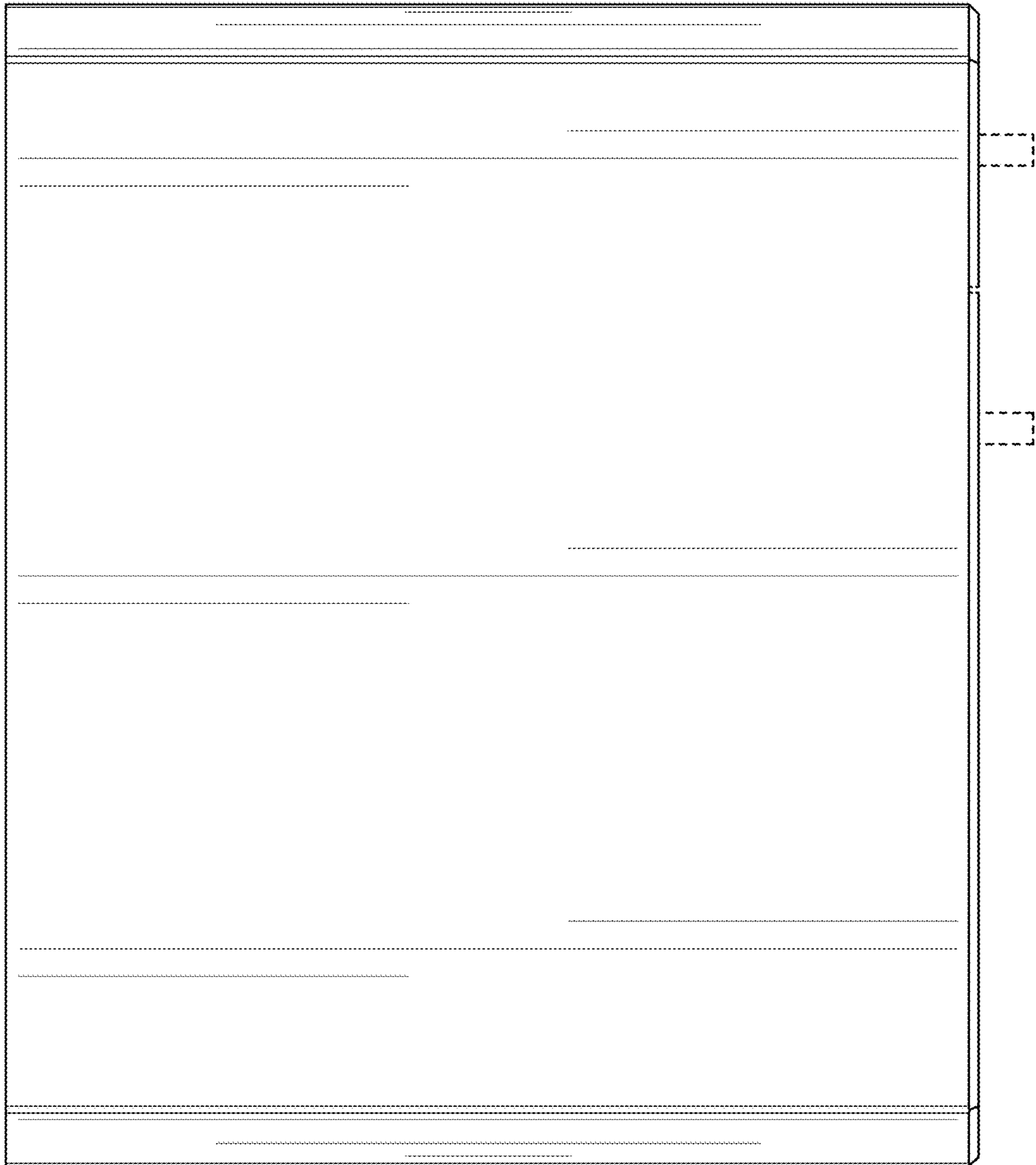


FIG. 4

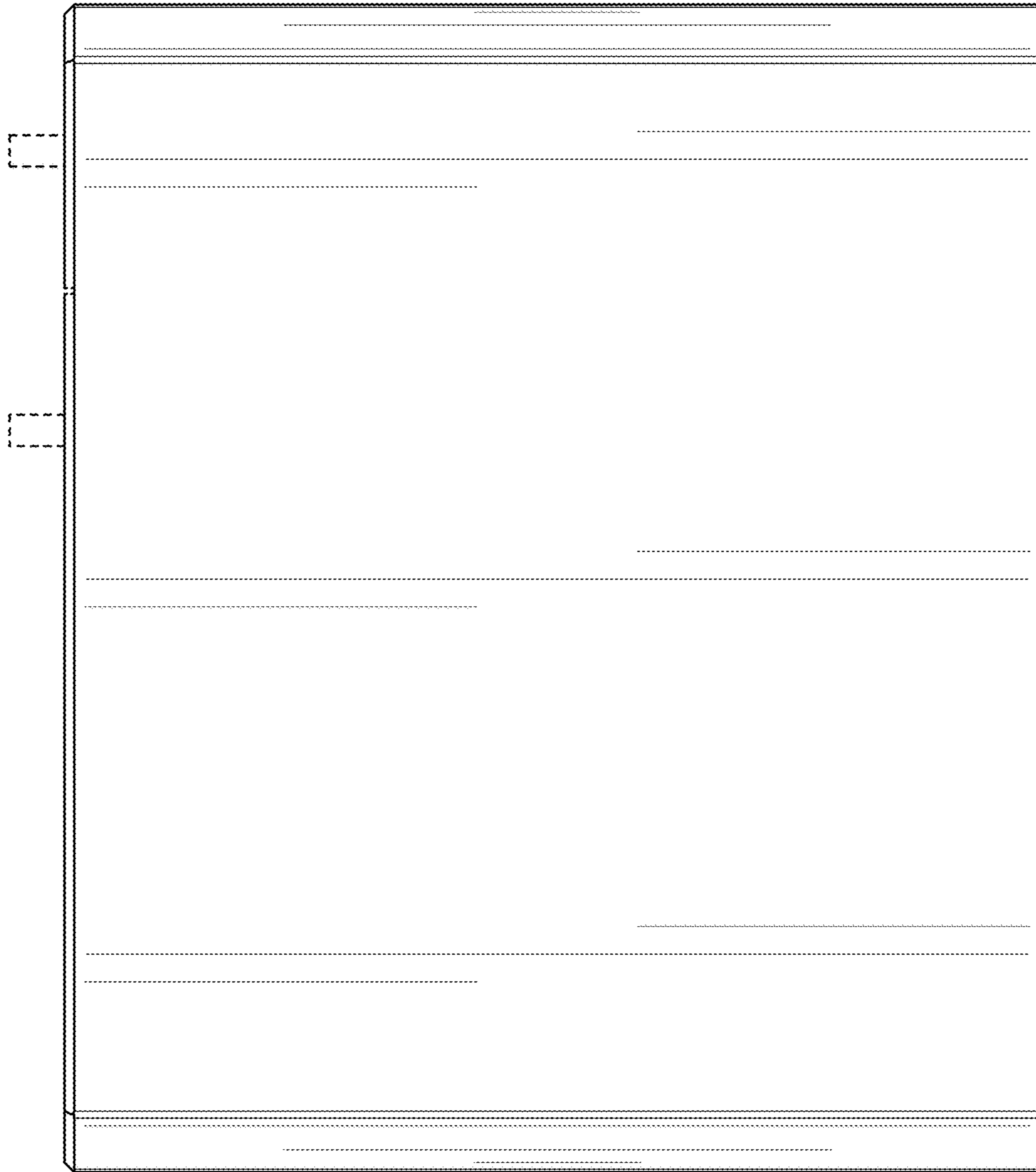


FIG. 5

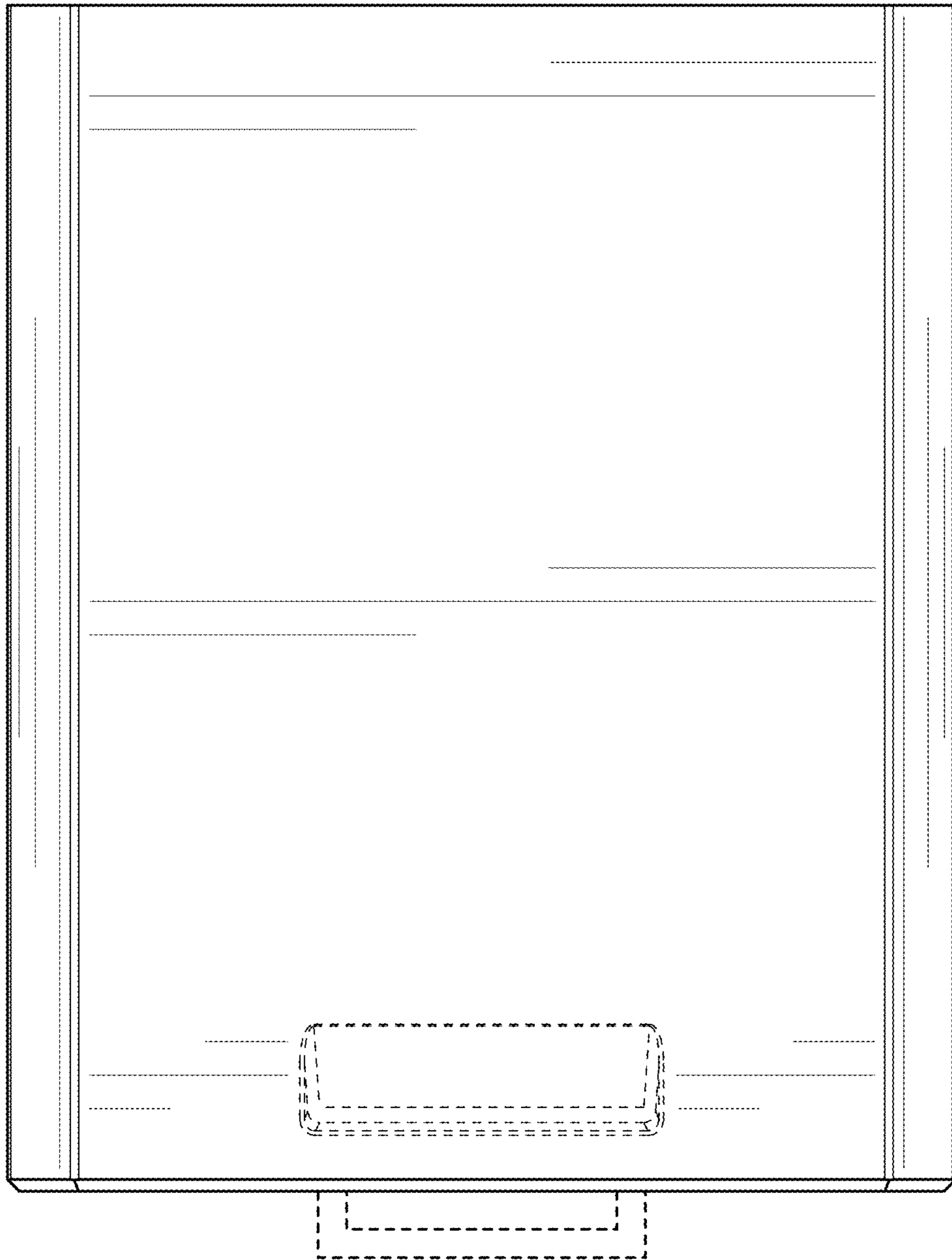


FIG. 6

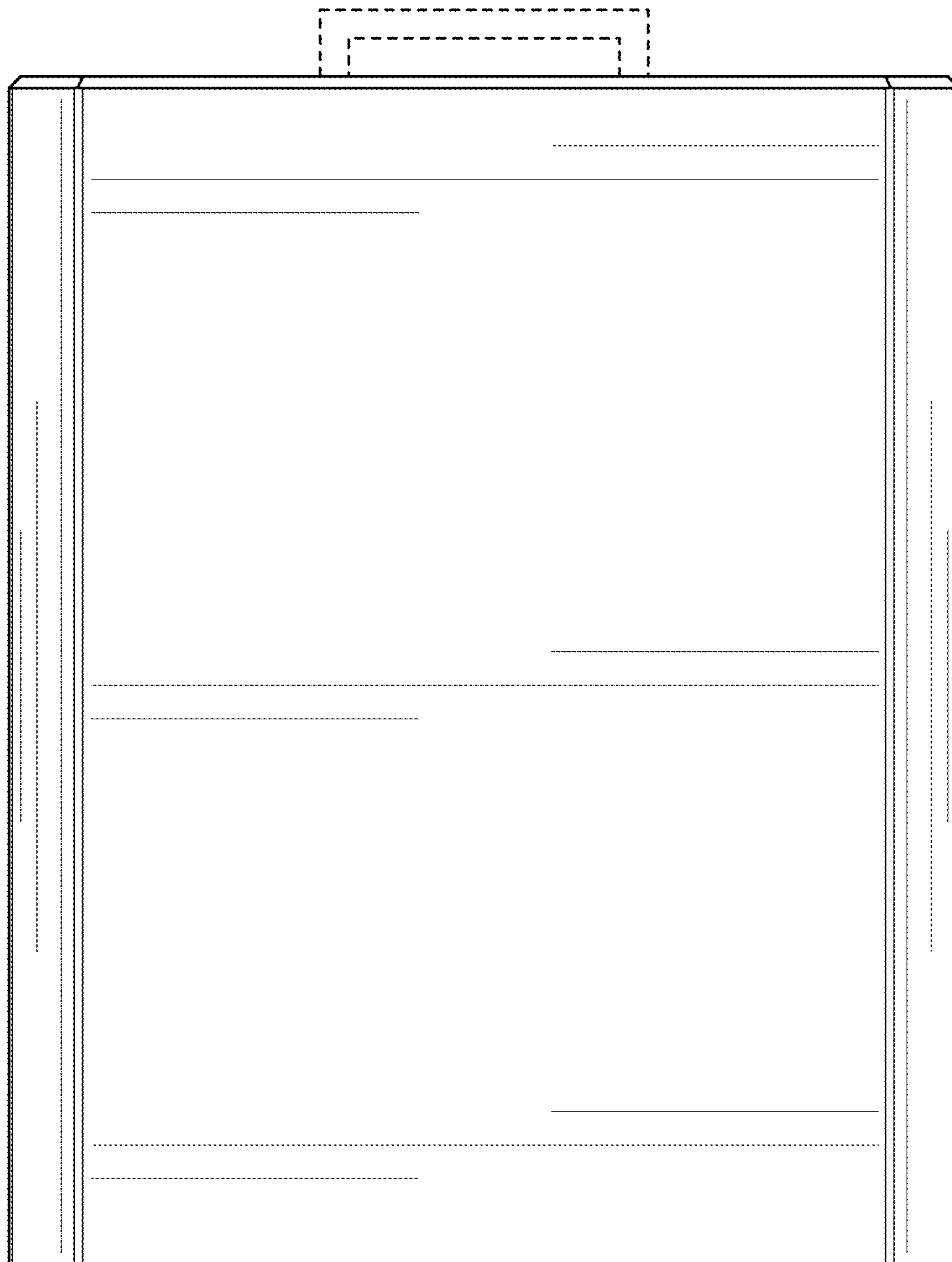


FIG. 7

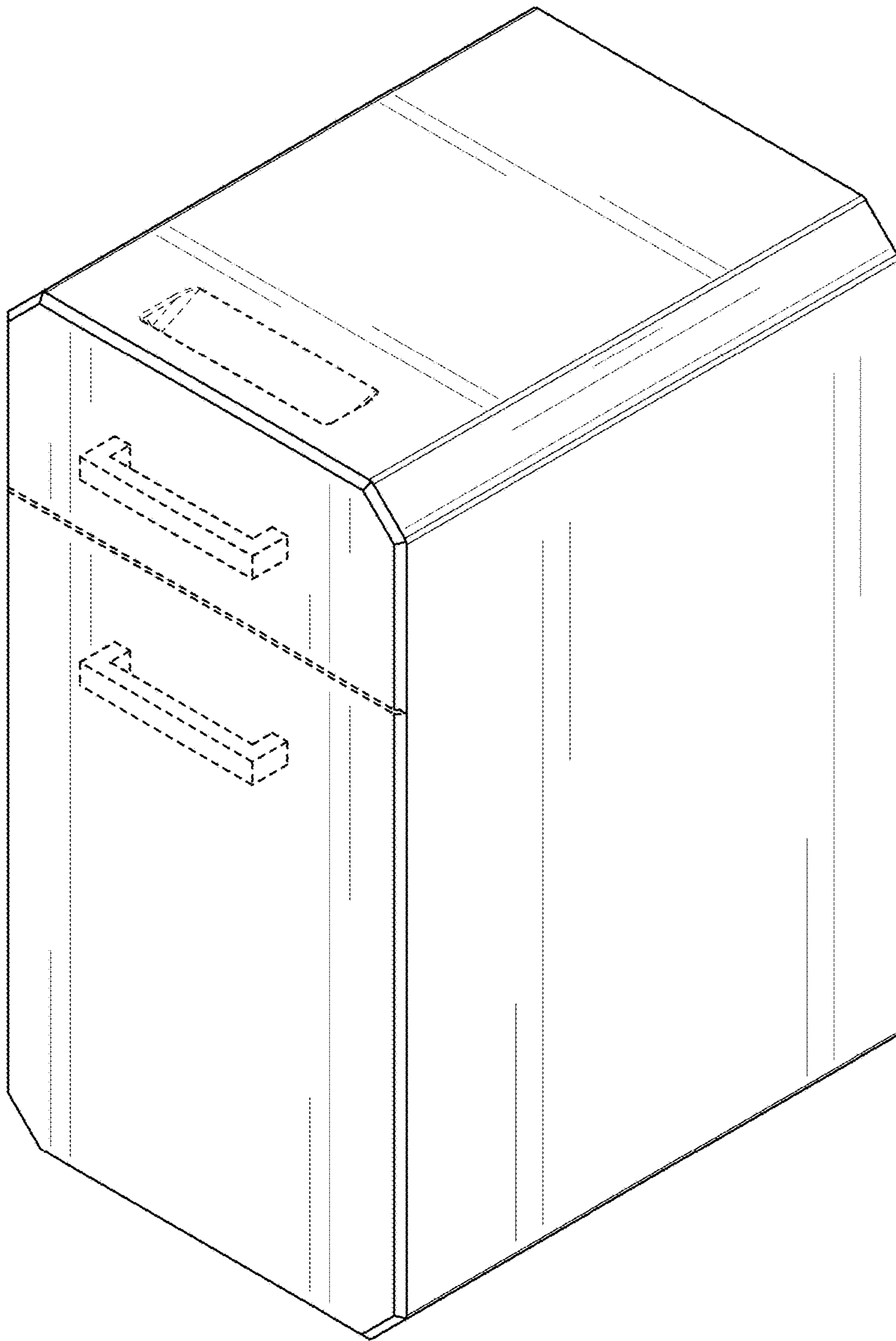


FIG. 8

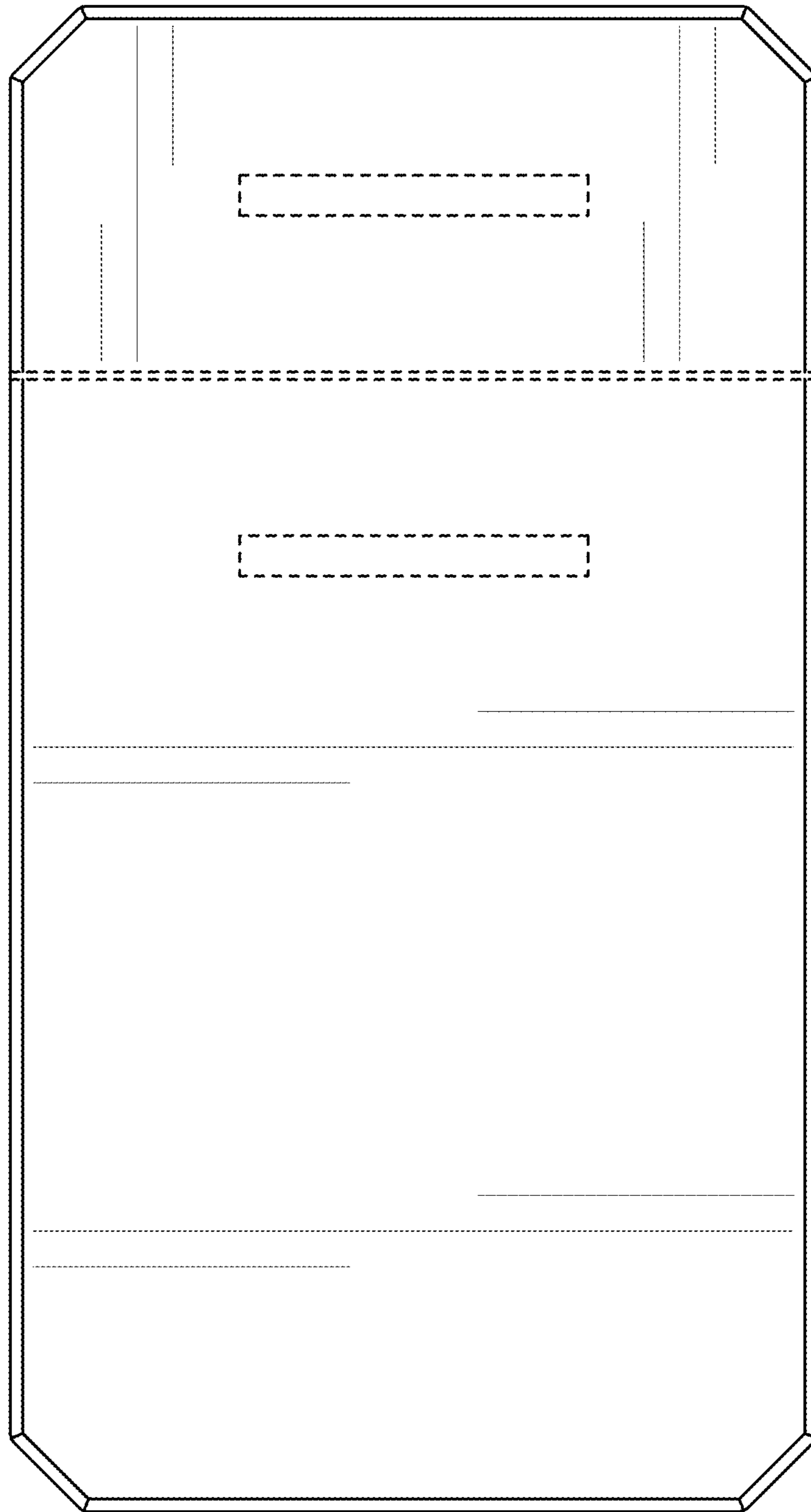


FIG. 9

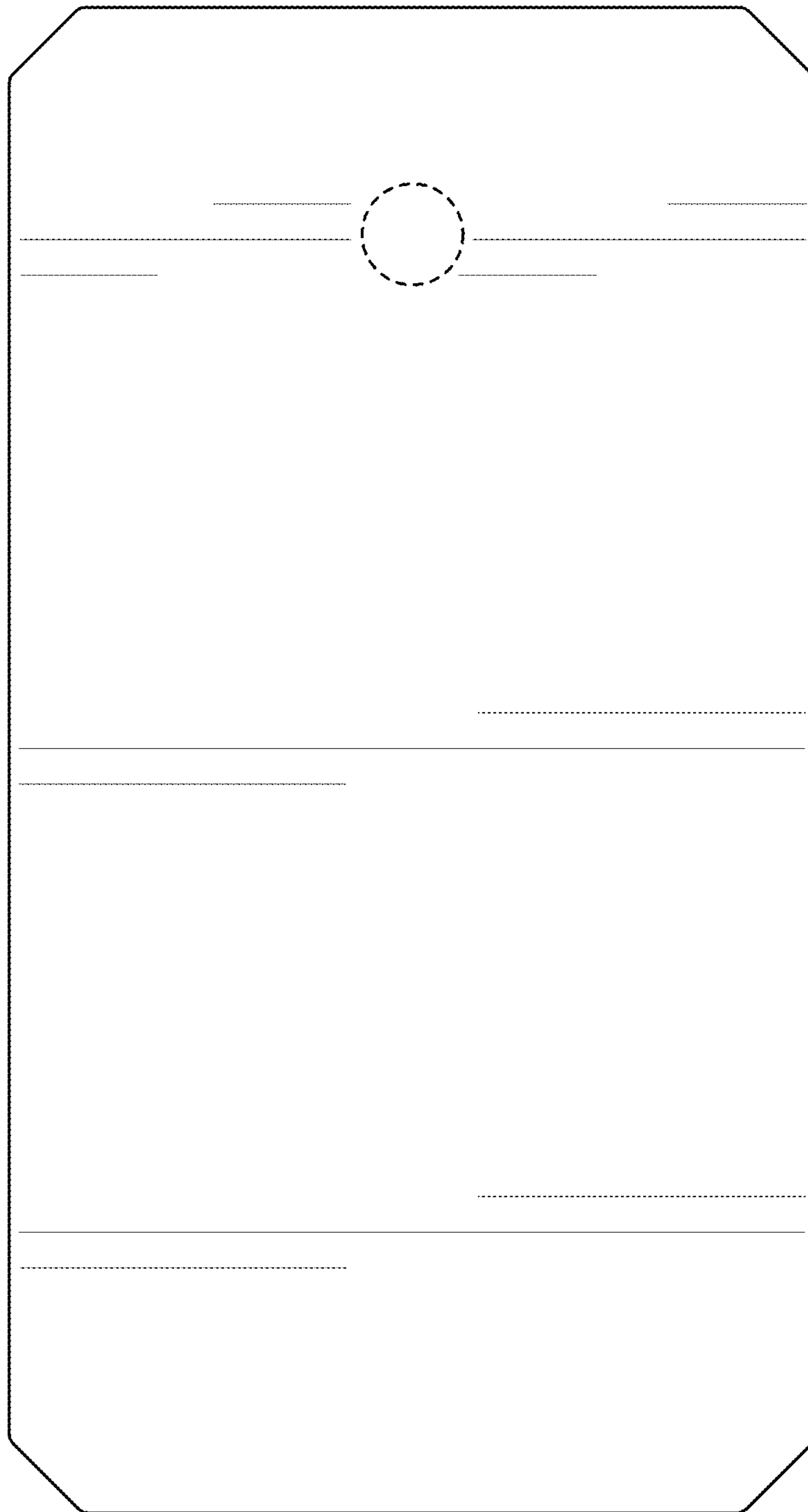


FIG. 10

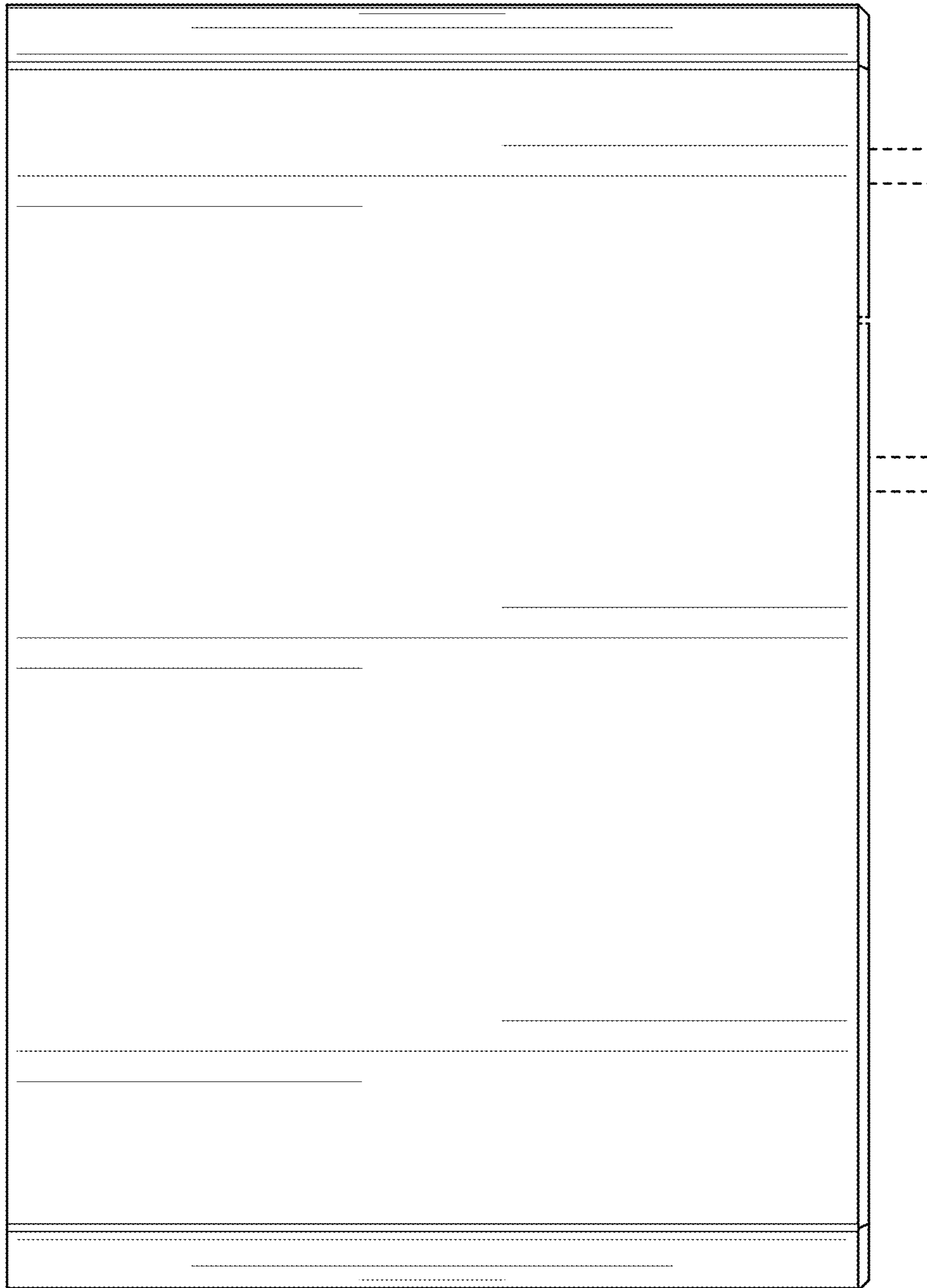


FIG. 11

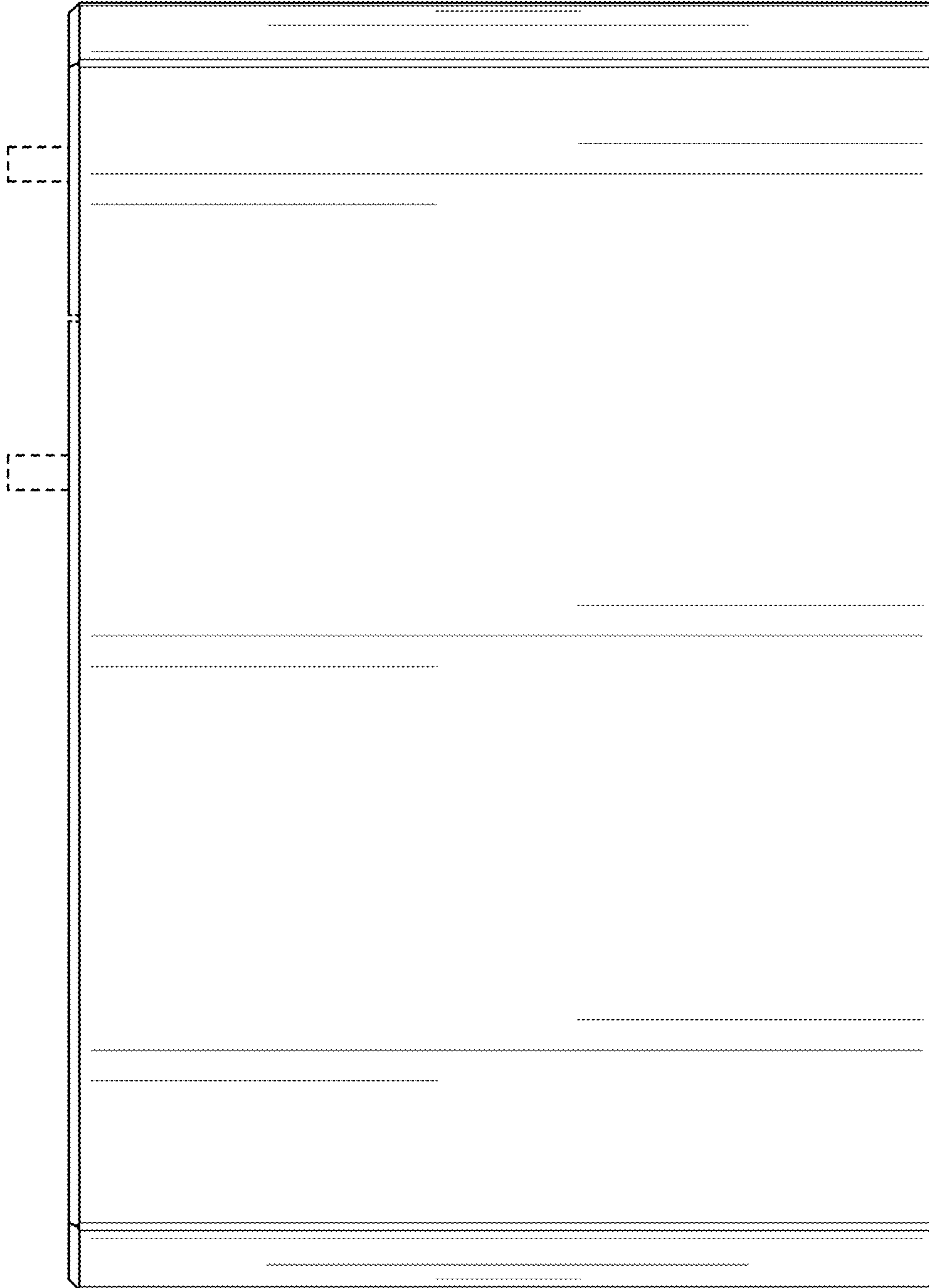


FIG. 12

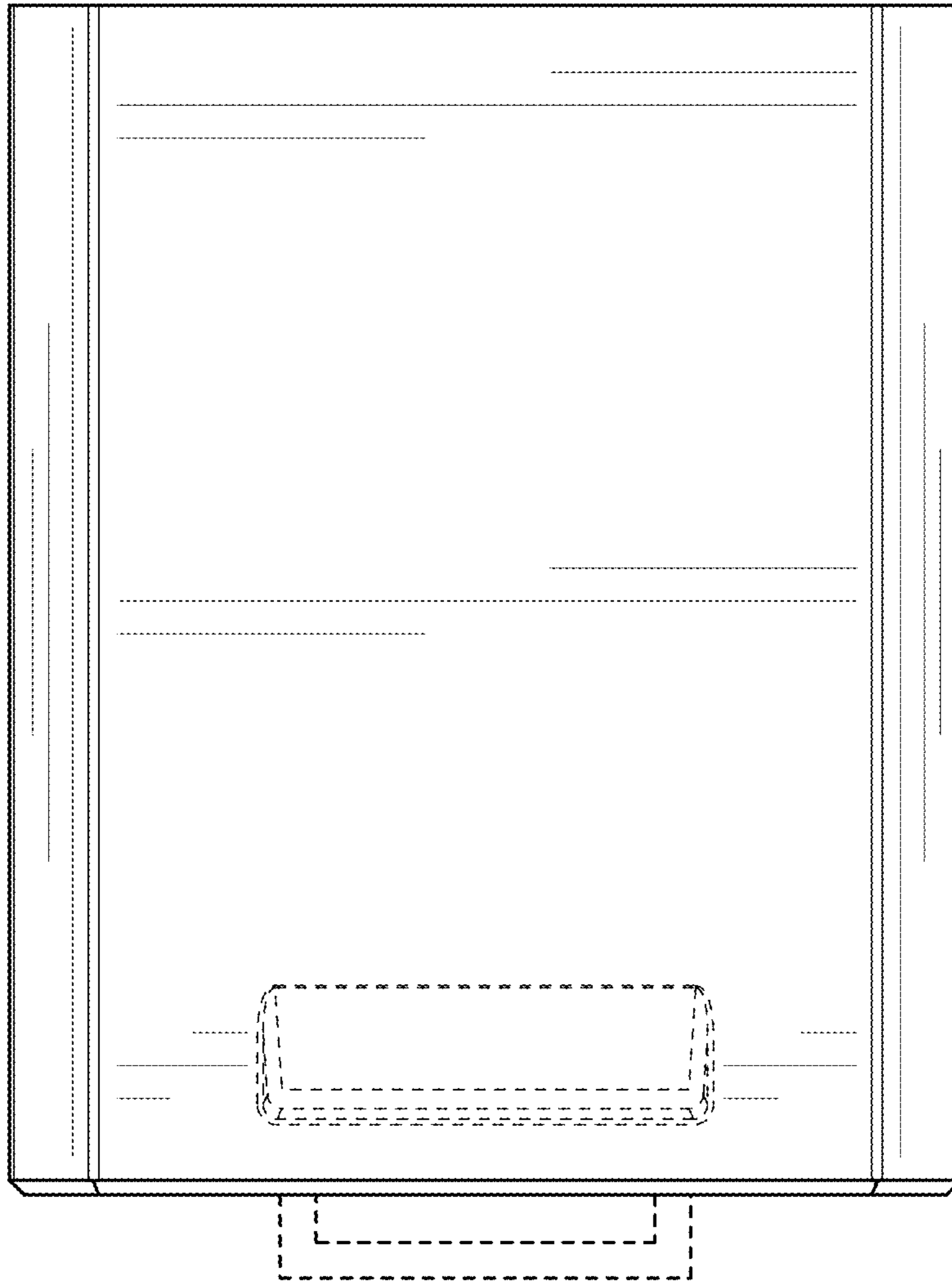


FIG. 13

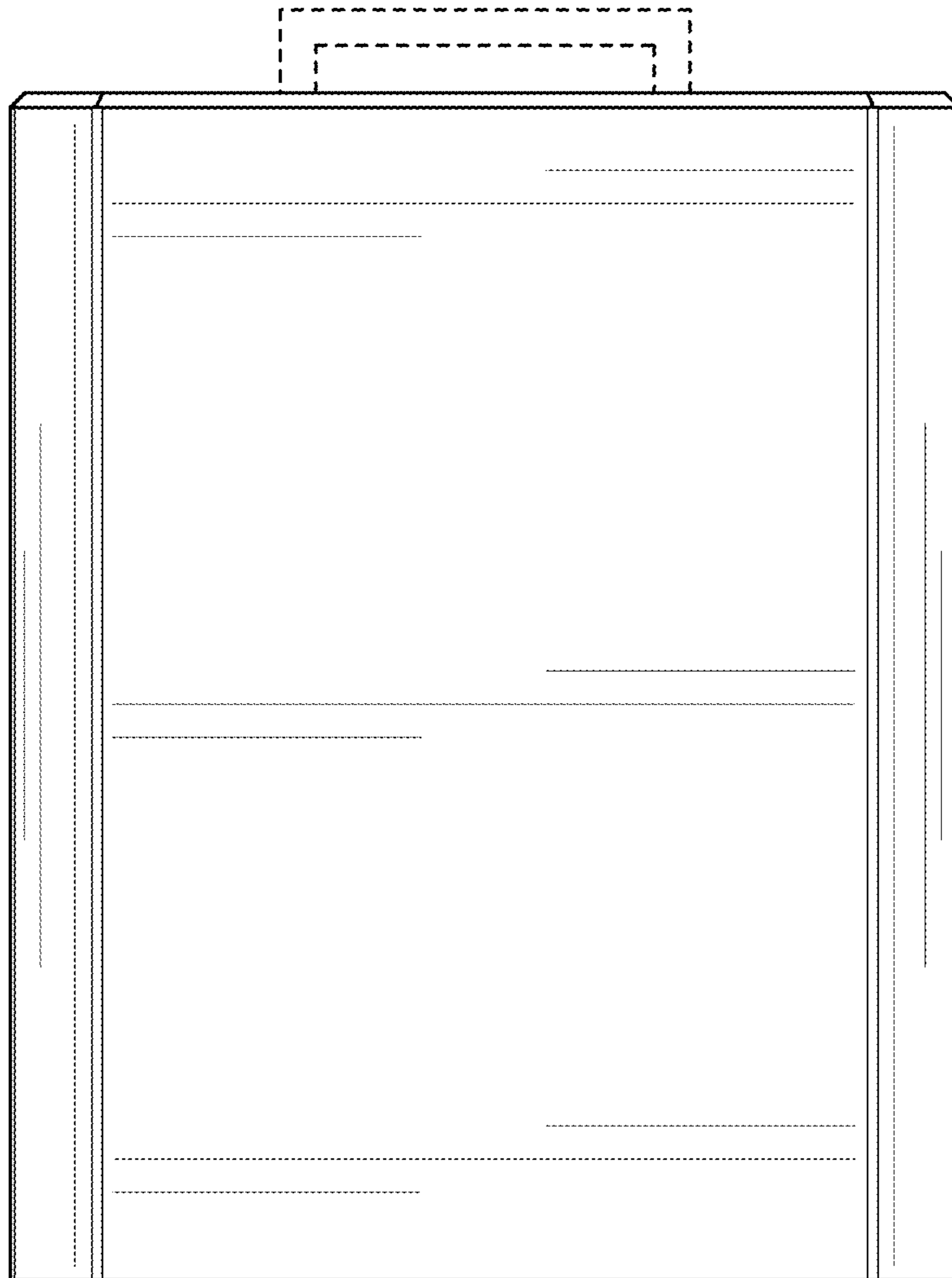


FIG. 14