



US00D813573S

(12) **United States Design Patent** (10) **Patent No.:** **US D813,573 S**  
**Hannoosh et al.** (45) **Date of Patent:** **\*\* Mar. 27, 2018**

(54) **NIGHTSTAND**  
(71) Applicant: **Williams-Sonoma, Inc.**, San Francisco, CA (US)  
(72) Inventors: **Jeffrey C. Hannoosh**, Brooklyn, NY (US); **August Knox**, Brooklyn, NY (US)  
(73) Assignee: **Williams-Sonoma, Inc.**, San Francisco, CA (US)  
(\*\*) Term: **15 Years**  
(21) Appl. No.: **29/590,568**  
(22) Filed: **Jan. 11, 2017**  
(51) **LOC (11) Cl.** ..... **06-04**  
(52) **U.S. Cl.**  
USPC ..... **D6/671**

D186,117 S \* 9/1959 Church ..... D6/671.1  
2,910,153 A \* 10/1959 Campbell ..... E04C 2/365  
219/78.11  
2,910,396 A \* 10/1959 Frobisher ..... B28B 19/0092  
156/197  
D205,290 S \* 7/1966 Klein ..... D6/671.1  
3,837,990 A \* 9/1974 McConnell et al. .... B32B 3/12  
428/118  
D301,417 S \* 6/1989 Wistehuff ..... D6/671.1  
D383,311 S \* 9/1997 Engberg ..... D5/53  
D385,725 S \* 11/1997 Lewis ..... D6/671.1  
D401,081 S \* 11/1998 Zaidman ..... D6/671.1  
D403,888 S \* 1/1999 Hutton ..... D6/657  
D403,894 S \* 1/1999 Hutton ..... D6/671.1  
D413,731 S \* 9/1999 Hannington ..... D5/61  
D414,351 S \* 9/1999 Tabbia ..... D6/671.1  
D424,832 S \* 5/2000 Lacroix ..... D6/671.1  
D424,833 S \* 5/2000 Zaidman ..... D6/671.1  
D440,074 S \* 4/2001 Hutton ..... D6/671.1  
D443,439 S \* 6/2001 de Blois ..... D6/671.1  
D446,119 S \* 8/2001 Sabo ..... D9/446

(Continued)

(58) **Field of Classification Search**  
USPC .... D5/15, 16, 28, 29, 99; D6/657, 661, 663, D6/668.1, 668.2, 669, 671, 671.1, 671.2, D6/705; D25/48.4, 113, 163  
CPC ..... A47B 55/02; A47B 3/00; A47B 81/005; A47B 81/00; A47B 67/02; A47B 77/02; A47B 47/05; A47B 47/024; A47B 47/0066; A47B 87/005; A47B 87/0292; A47B 43/00; A47B 88/49; A47B 88/90; A47G 1/12; A47F 3/002; A47F 3/0413; A47F 5/08; A47F 5/116; A47F 5/0018; A45C 11/16; B42F 17/00; E05C 19/001; F25D 21/14; F25D 23/069; F25D 2400/10; G09F 1/12; G09F 9/10; H05K 9/0062; Y10T 428/24694  
See application file for complete search history.

*Primary Examiner* — Kevin K Rudzinski  
*Assistant Examiner* — Paul D Bohannon  
(74) *Attorney, Agent, or Firm* — Cook Alex Ltd.; R. Blake Johnston

(57) **CLAIM**

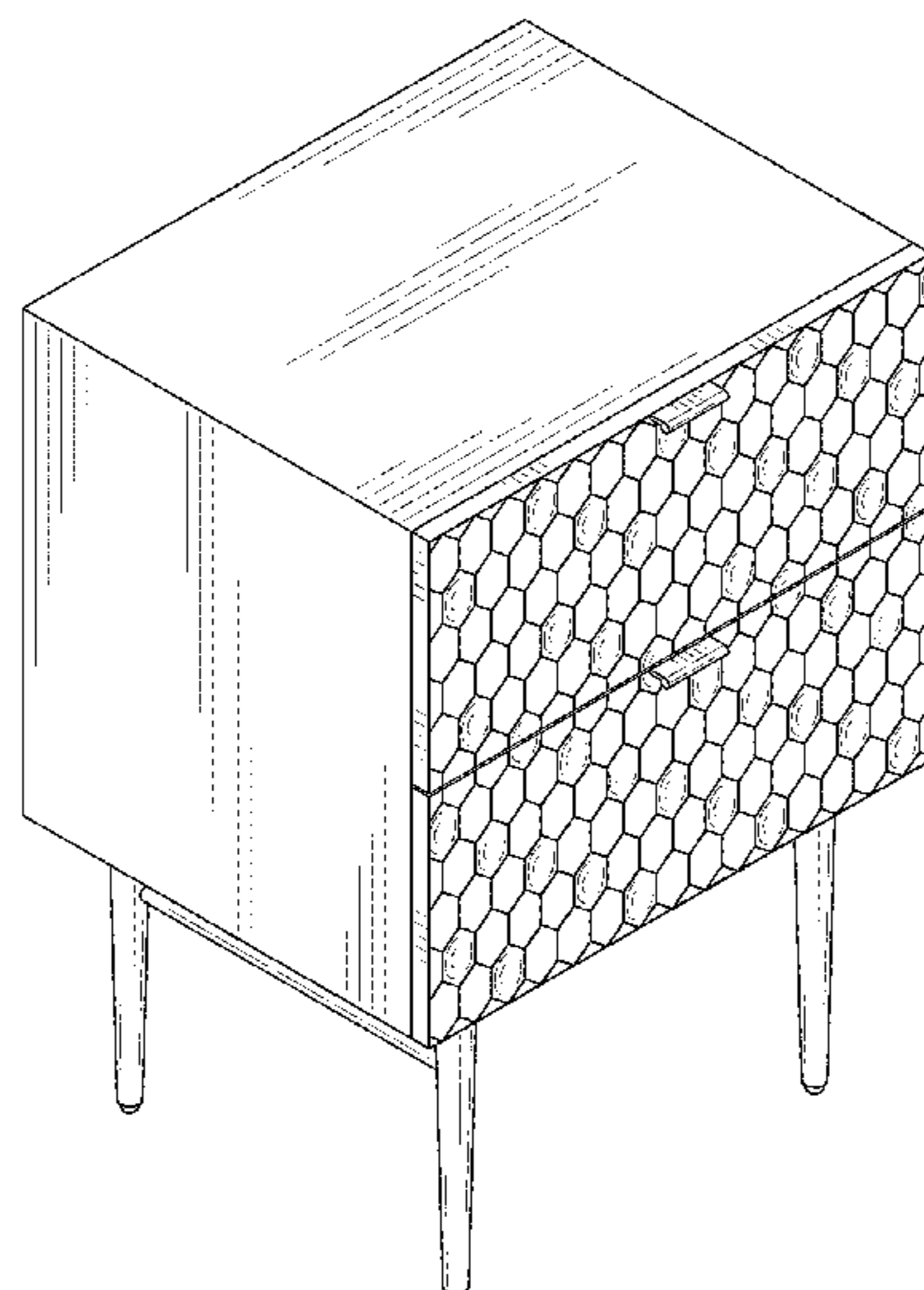
The ornamental design for a nightstand, as shown and described.

**DESCRIPTION**

FIG. 1 is a perspective view of the nightstand; FIG. 2 is a front elevational view of the nightstand; FIG. 3 is a rear elevational view of the nightstand; FIG. 4 is a left side elevational view of the nightstand, the opposite side of which is a mirror image; FIG. 5 is a top plan view of the nightstand; and, FIG. 6 is a bottom plan view of the nightstand.

(56) **References Cited**  
U.S. PATENT DOCUMENTS  
1,961,005 A \* 5/1934 Levin ..... E04D 1/265  
427/188  
D172,795 S \* 8/1954 Kaufman ..... D6/661

**1 Claim, 5 Drawing Sheets**



(56)

**References Cited**

U.S. PATENT DOCUMENTS

D482,910 S \* 12/2003 Jeup ..... D6/703.3  
D490,628 S \* 6/2004 Juneau ..... D6/671.1  
D504,251 S \* 4/2005 Kreiss ..... D6/671.1  
D587,384 S \* 2/2009 Wei ..... D26/2  
D652,630 S \* 1/2012 Alevizopoulos ..... D5/28  
8,777,455 B2 \* 7/2014 Pickard ..... F21K 9/233  
362/241  
D788,186 S \* 5/2017 Lee ..... D15/79  
2004/0120667 A1 \* 6/2004 Aylward ..... G02B 6/08  
385/115  
2011/0149581 A1 \* 6/2011 Jiang ..... F21V 3/04  
362/338  
2012/0106169 A1 \* 5/2012 Kim ..... G02B 3/0056  
362/311.02  
2012/0274559 A1 \* 11/2012 Mathai ..... G02B 5/0278  
345/158  
2014/0142522 A1 \* 5/2014 Filippova ..... A61F 13/00021  
604/290

\* cited by examiner

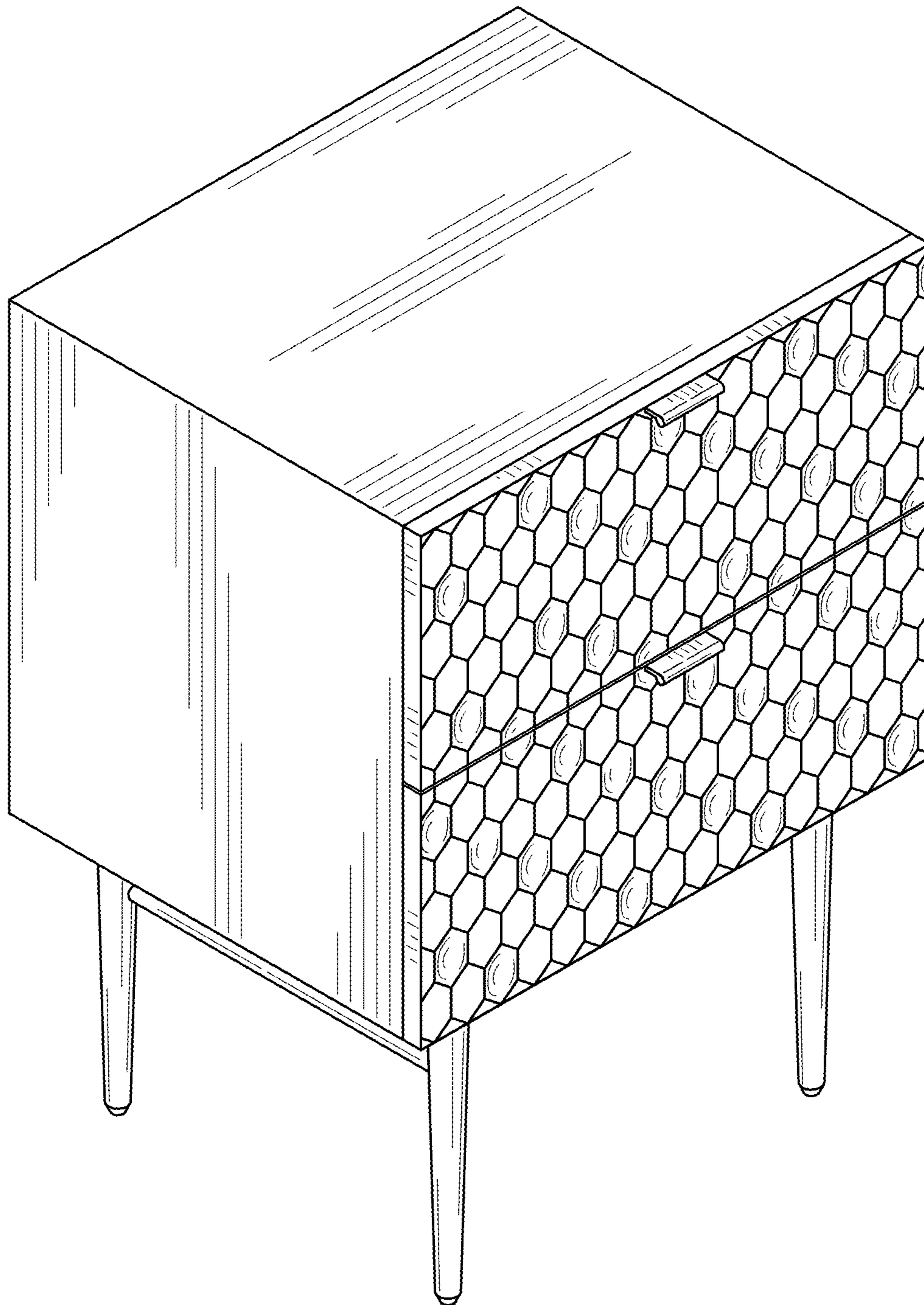


FIG. 1

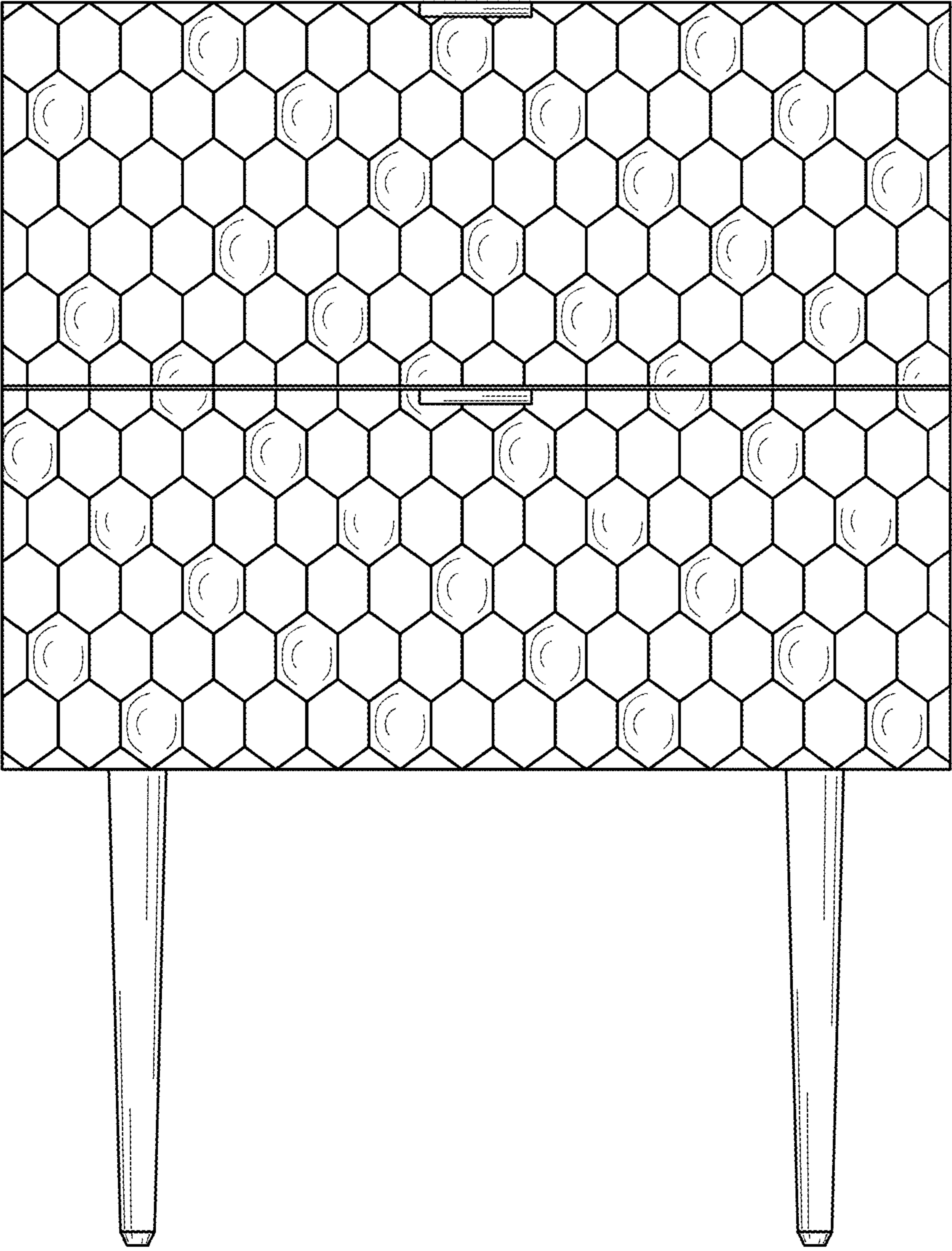


FIG. 2



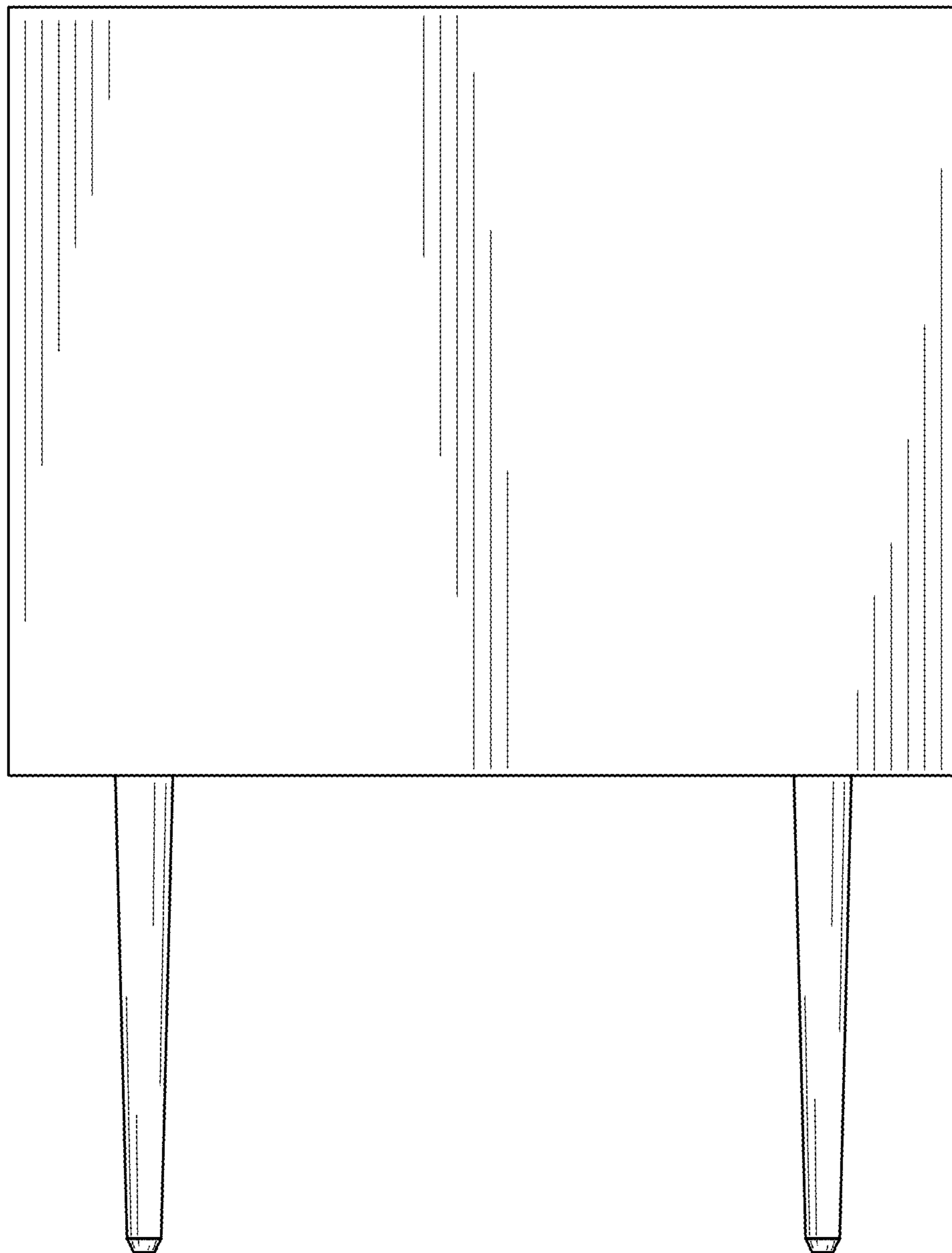


FIG. 3

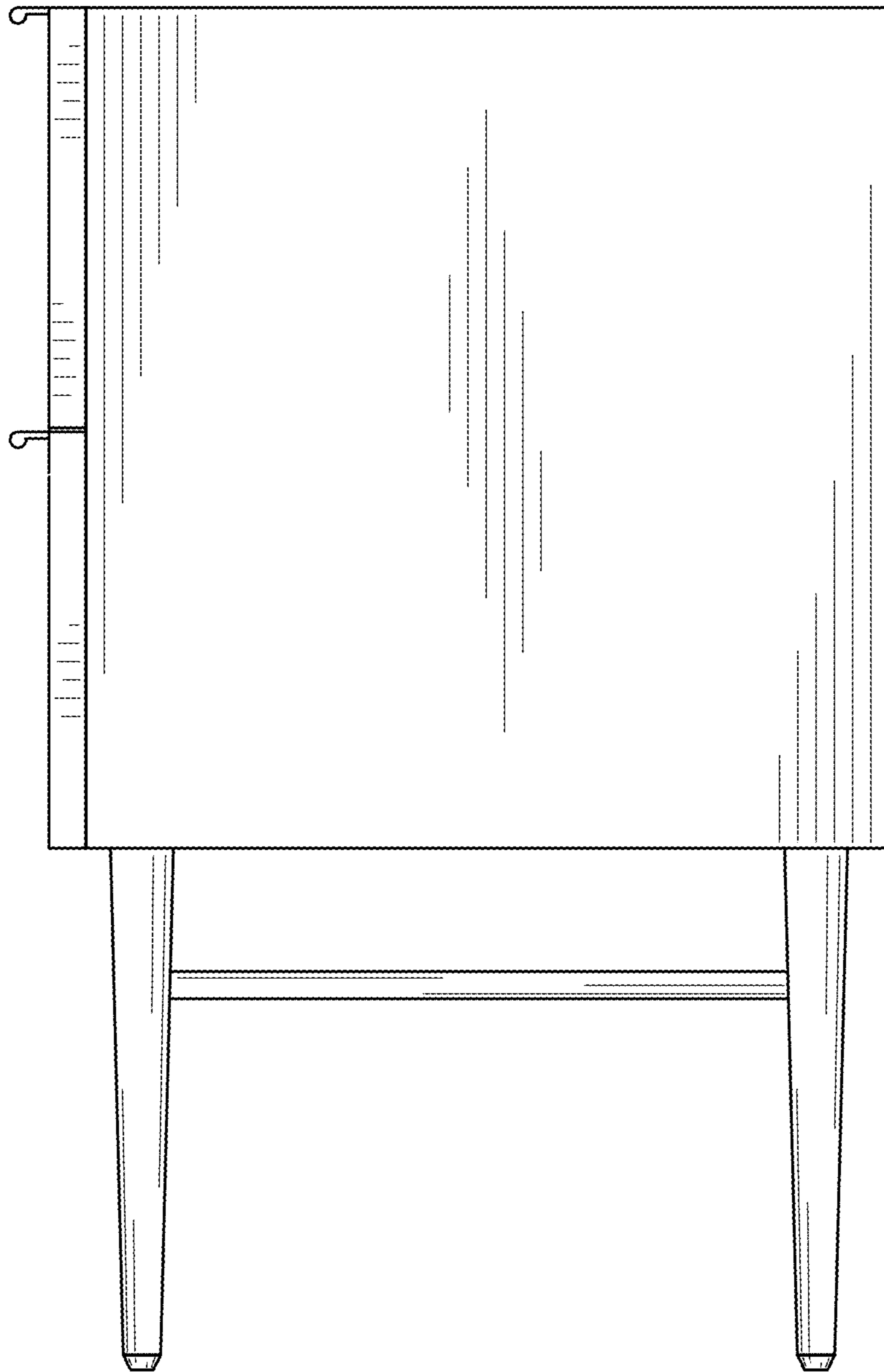


FIG. 4

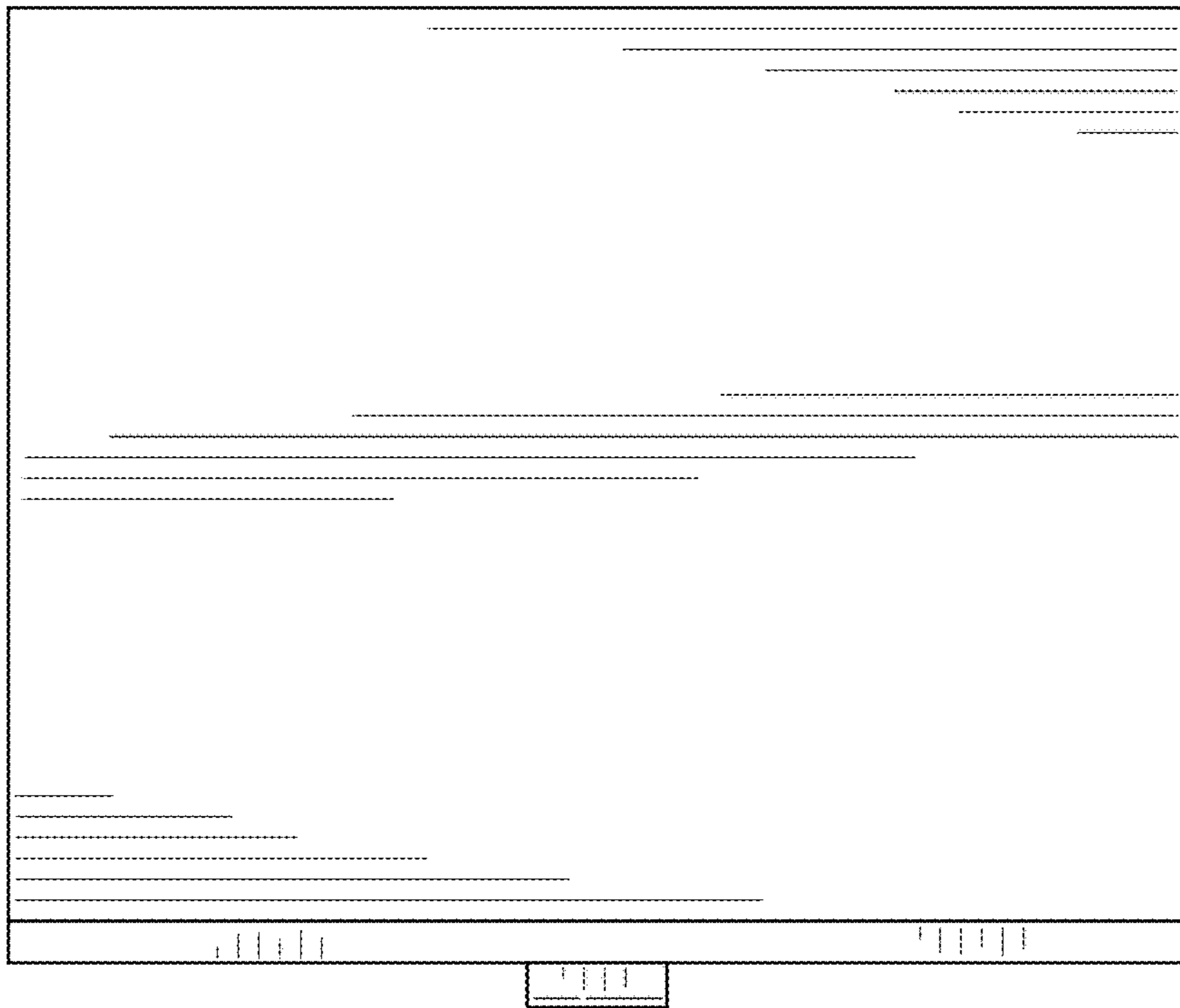


FIG. 5

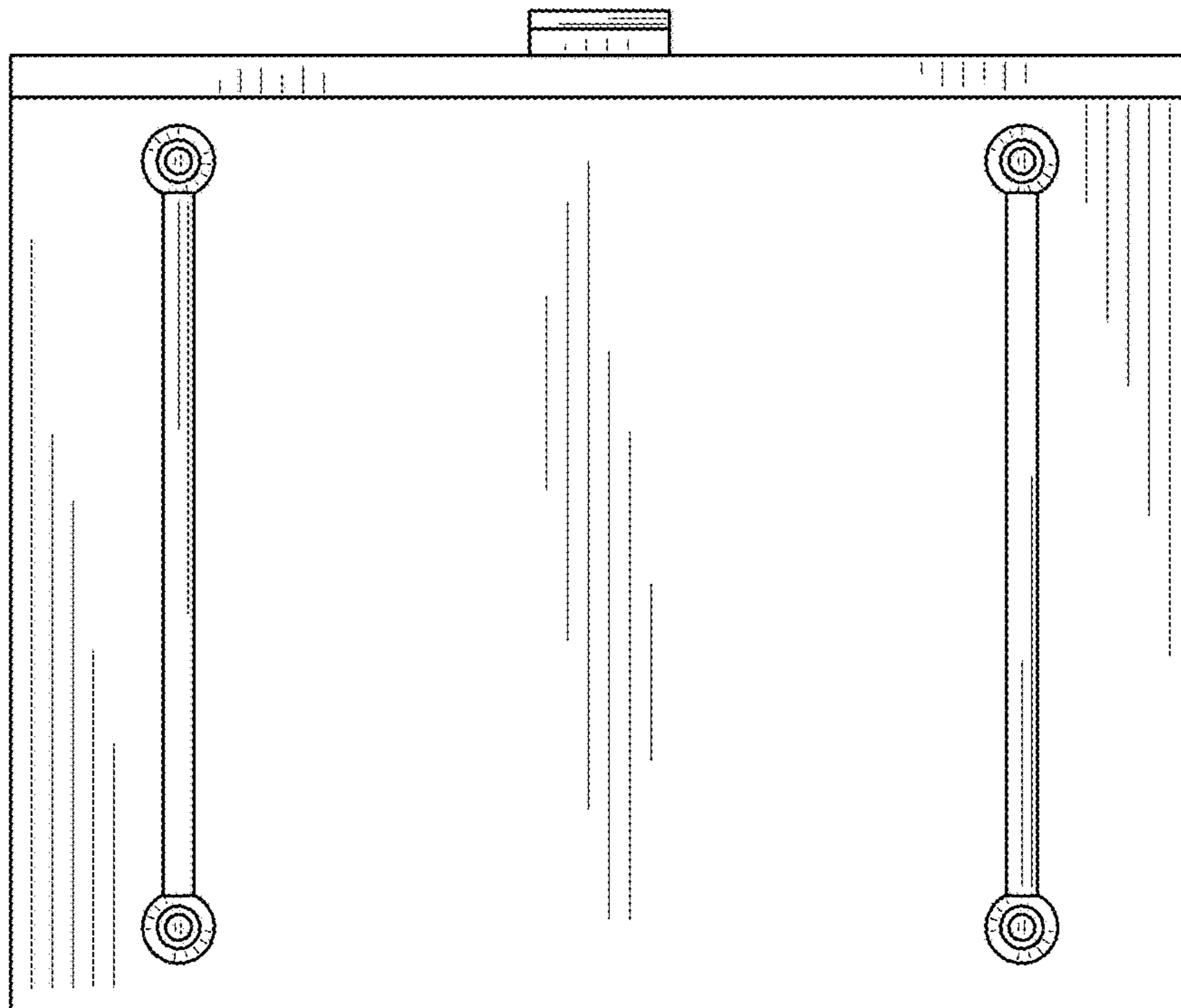


FIG. 6