



US00D813571S

(12) **United States Design Patent** (10) **Patent No.:** **US D813,571 S**
Weiss et al. (45) **Date of Patent:** **** Mar. 27, 2018**

(54) **CHANGING PAD**

FOREIGN PATENT DOCUMENTS

(71) Applicant: **Hatch Baby, Inc.**, Menlo Park, CA (US)

WO WO 2006/134619 12/2006

(72) Inventors: **David Weiss**, Palo Alto, CA (US); **Ann C. Weiss**, Palo Alto, CA (US); **Stuart Tyrrell**, Los Altos, CA (US); **Jillian Locks**, San Mateo, CA (US); **Philip Bourgeois**, Woodside, CA (US); **George Turvey**, Brookdale, CA (US); **Martin Schnitzer**, San Francisco, CA (US)

OTHER PUBLICATIONS

Bumbo Change Pad—Grey announced Jul. 2017, [online], [site visited Jul. 29, 2017]. Available from Internet, <URL: <http://www.crocodilebaby.com/change-pad-grey.html>>.*

(Continued)

(73) Assignee: **Hatch Baby, Inc.**, Menlo Park, CA (US)

Primary Examiner — Eric L Goodman

Assistant Examiner — Sanjeev Paul

(74) *Attorney, Agent, or Firm* — Levine Bagade Han LLP

(**) Term: **15 Years**

(57) **CLAIM**

The ornamental design for a changing pad, as shown and described.

(21) Appl. No.: **29/581,487**

(22) Filed: **Oct. 19, 2016**

DESCRIPTION

Related U.S. Application Data

(63) Continuation-in-part of application No. PCT/US2016/029044, filed on Apr. 22, 2016.

(51) **LOC (11) Cl.** **06-09**

(52) **U.S. Cl.**
USPC **D6/596**

(58) **Field of Classification Search**
USPC D6/333, 349, 355, 375, 388, 512, 563, D6/564, 595, 596, 601, 604, 611, 707,
(Continued)

FIG. 1 is a top perspective view of a changing pad;
FIG. 2 is a bottom perspective view of the changing pad shown in FIG. 1;
FIG. 3 is a front view of the changing pad shown in FIG. 1;
FIG. 4 is a rear view of the changing pad shown in FIG. 1;
FIG. 5 is a left side view of the changing pad shown in FIG. 1;
FIG. 6 is a right side view of the changing pad shown in FIG. 1;
FIG. 7 is a top plan view of the changing pad shown in FIG. 1; and,
FIG. 8 is a bottom plan view of the changing pad shown in FIG. 1.

The broken lines shown in the drawings are included for the purpose of illustrating unclaimed portions of the changing pad and forms no part of the claimed design.

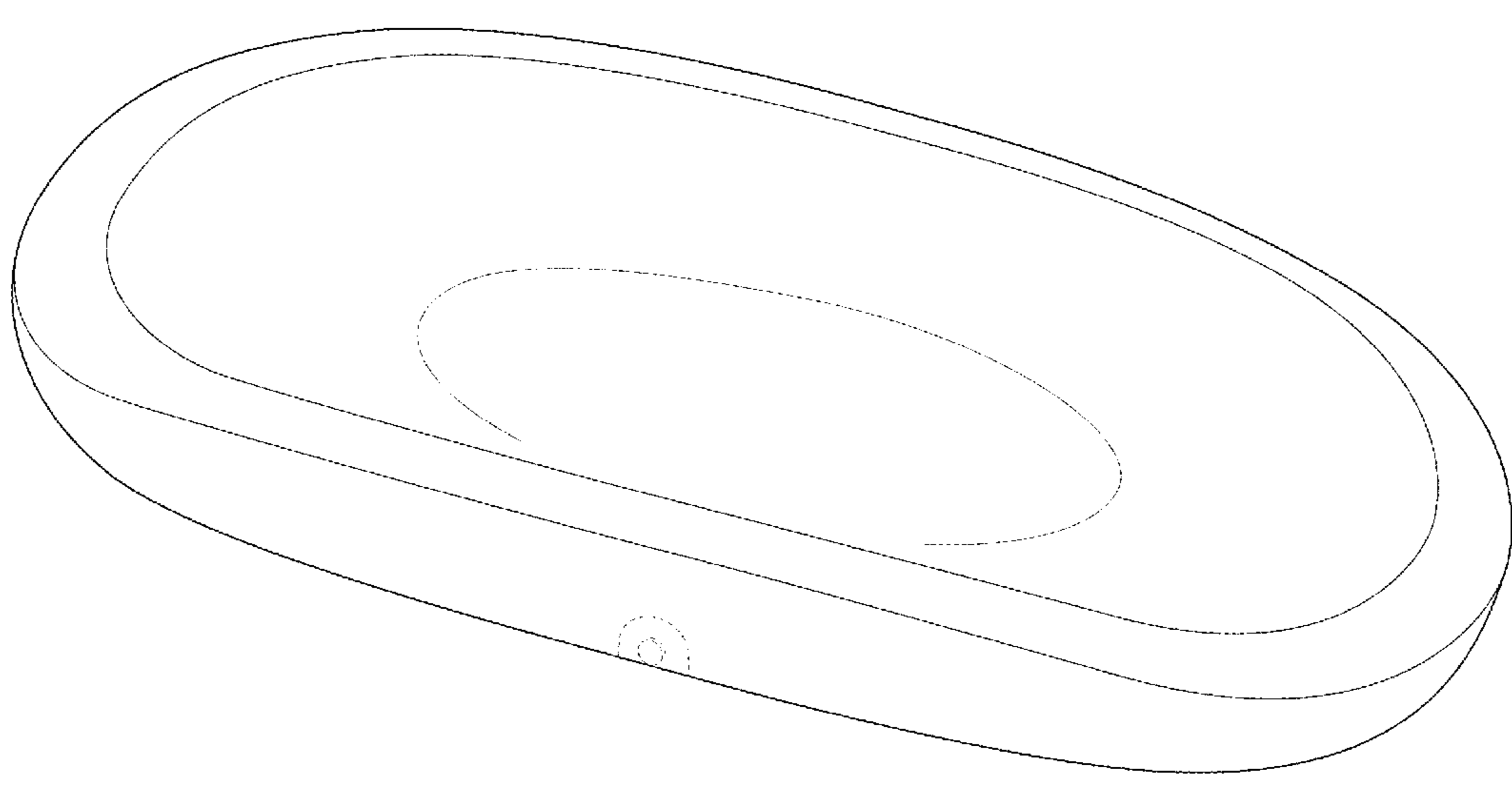
(56) **References Cited**

U.S. PATENT DOCUMENTS

D51,469 S * 11/1917 Zweibach D6/716.1
4,339,012 A 7/1982 Vogel et al.

(Continued)

1 Claim, 6 Drawing Sheets



(58) **Field of Classification Search**

USPC D6/715, 716, 716.1; D24/183-185, 234;
 D21/803, 804, 805, 809; 5/401, 420,
 5/600, 630, 631, 632, 633, 635, 636, 638,
 5/639, 646, 652, 652.1, 655, 703, 730;
 297/1, 2, 4, 93, 180.11, 195.1, 195.11,
 297/195.13, 393, 397, 452.12, 452.14,
 297/452.15, 452.21, 452.24, 452.26,
 297/452.48, 452.62, 482
 CPC A47G 9/10; A47G 9/1009; A47G 9/1027;
 A47G 9/1045; A47G 9/1063; A47G
 9/1072; A47G 9/1081

See application file for complete search history.

(56) **References Cited**

U.S. PATENT DOCUMENTS

4,739,848 A 4/1988 Tulloch
 D342,164 S * 12/1993 Dalman D30/118
 5,369,226 A 11/1994 Griffen et al.
 5,551,108 A * 9/1996 Butler, III A47D 5/006
 190/1
 D406,480 S * 3/1999 Lin D6/349
 6,519,793 B2 * 2/2003 Le Gette A47G 9/062
 5/417
 6,538,215 B2 3/2003 Montagnino et al.
 D480,777 S * 10/2003 Peterson D21/803
 D481,435 S * 10/2003 Zheng D21/803
 D481,436 S * 10/2003 Peterson D21/803
 D554,758 S * 11/2007 Hennessy D24/183
 D576,244 S * 9/2008 Fielding, Jr. D21/803
 D576,408 S * 9/2008 Forshpan D6/333
 D577,943 S * 10/2008 Larsen D6/601
 D593,350 S * 6/2009 Moir D6/601

D610,853 S * 3/2010 Straub D6/601
 D622,087 S * 8/2010 Carr D6/601
 8,332,975 B2 12/2012 Brykalski et al.
 D688,474 S * 8/2013 Tu D6/333
 8,672,842 B2 3/2014 Kenalty et al.
 D714,072 S * 9/2014 Nadeau D6/390
 D731,209 S * 6/2015 Fux D6/601
 D734,545 S * 7/2015 Cantu D28/57
 D752,902 S * 4/2016 Peraza D6/601
 D765,200 S * 8/2016 Gershon D21/803
 D770,194 S * 11/2016 Langhammer D6/512
 D779,610 S * 2/2017 Osimo D21/803
 D791,509 S * 7/2017 Jones D6/601
 D791,510 S * 7/2017 Renna D6/601
 2006/0010580 A1 * 1/2006 Long A47G 9/10
 2/413
 2006/0163236 A1 * 7/2006 Mazon D06F 58/16
 219/217
 2012/0232801 A1 9/2012 Kaplan et al.
 2014/0082847 A1 * 3/2014 Thomas A47D 5/00
 5/655
 2014/0082848 A1 * 3/2014 Fort A47D 15/008
 5/655
 2014/0094884 A1 * 4/2014 Zaidi A61F 7/02
 607/107
 2015/0359355 A1 * 12/2015 Rushing A47D 15/005
 5/655
 2016/0088953 A1 * 3/2016 Benezri A47D 13/063
 224/261

OTHER PUBLICATIONS

Hatch Baby: Grow announced Oct. 27, 2016, [online], [site visited Jul. 29, 2017]. Available from Internet, <URL: <https://www.hatchbaby.com/pages/grow>>.*

* cited by examiner

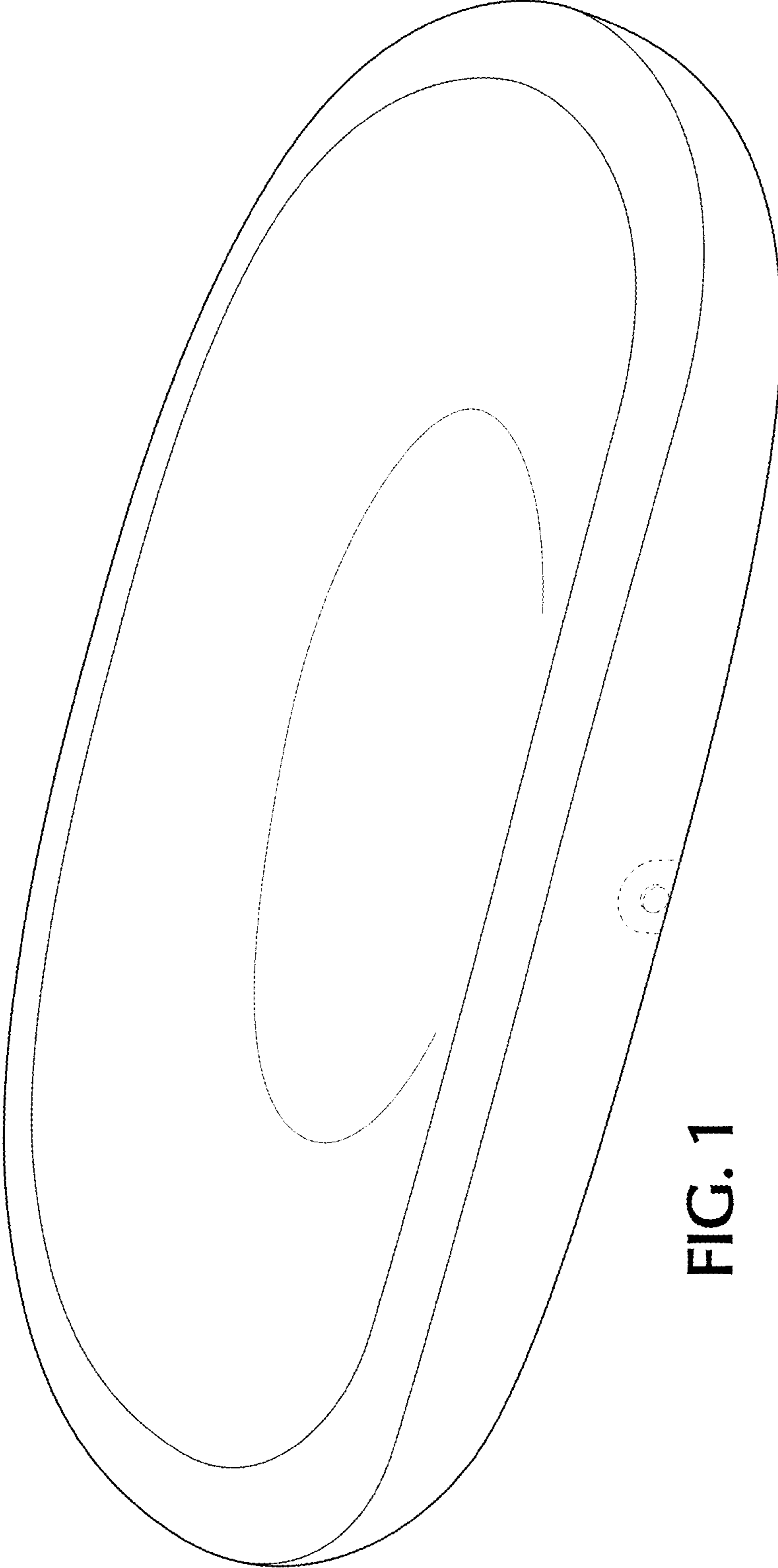


FIG. 1

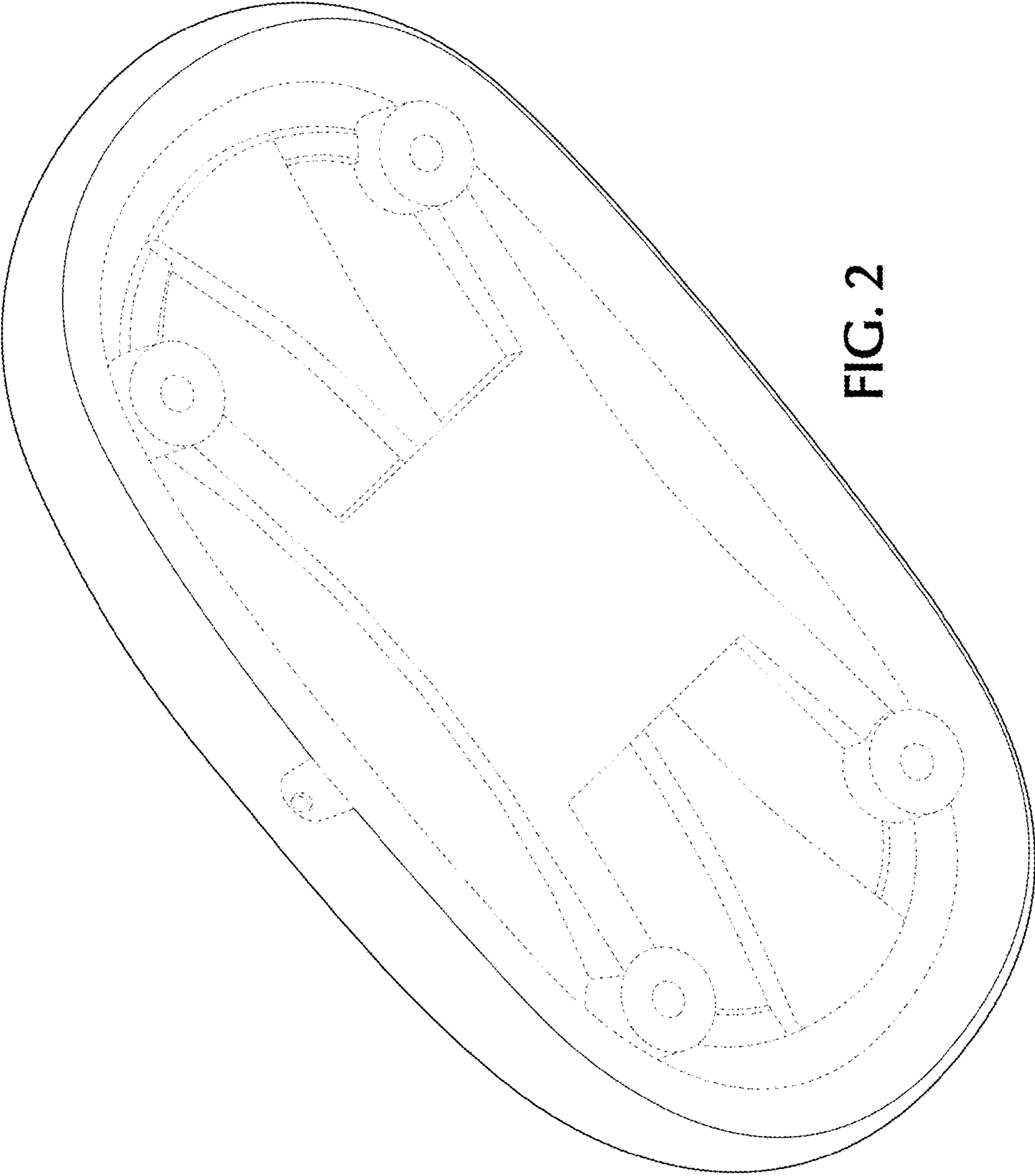


FIG. 2

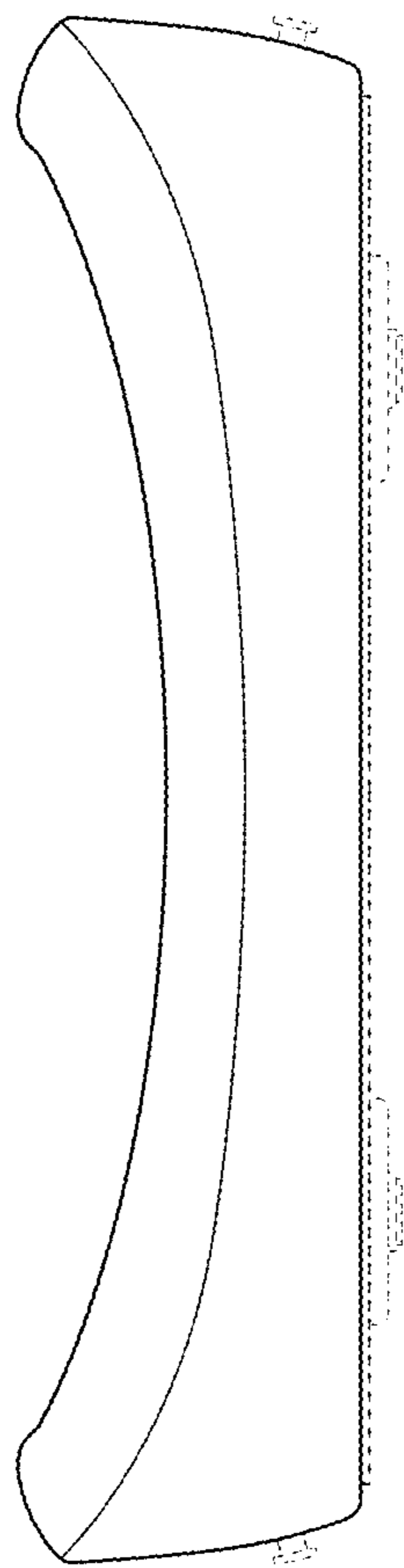


FIG. 3

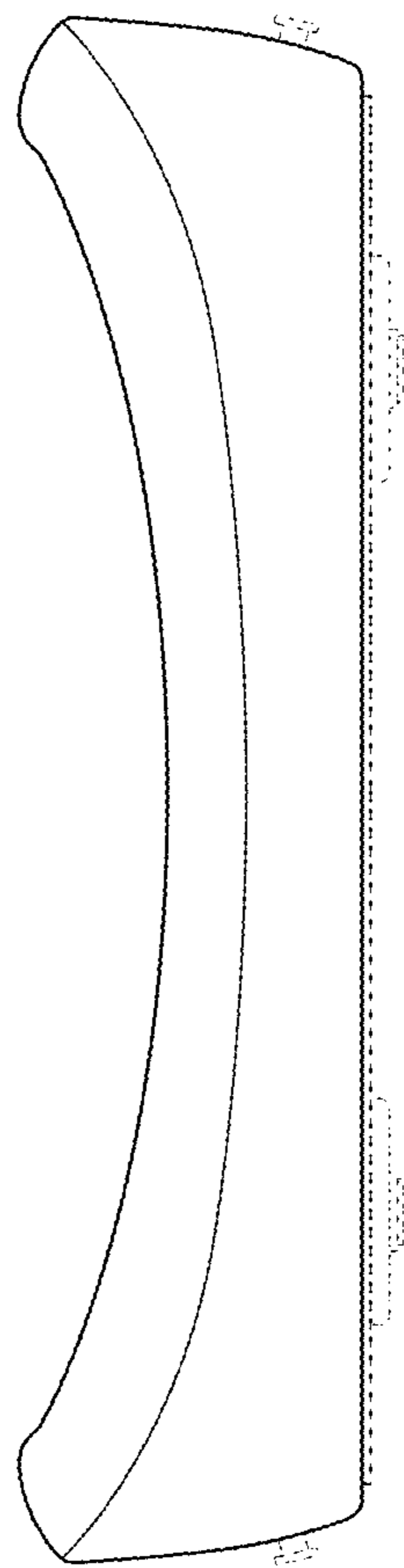


FIG. 4

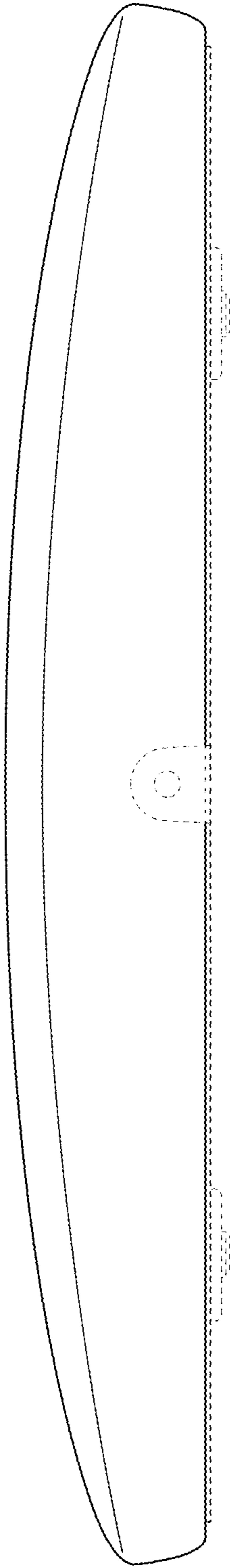


FIG. 5

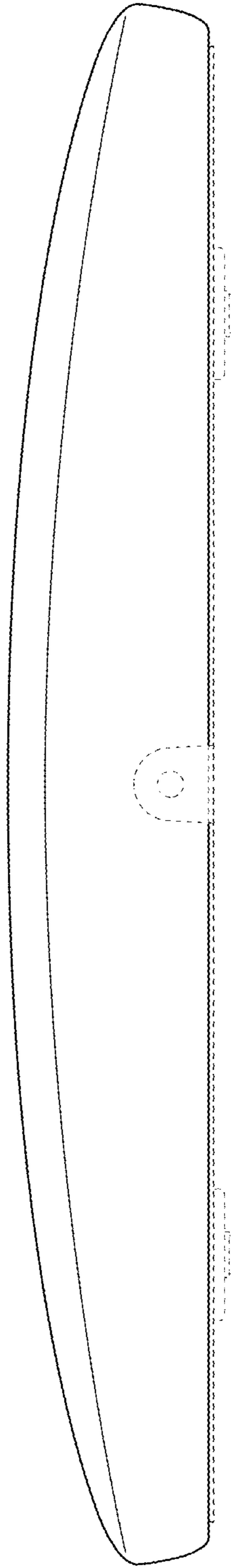


FIG. 6

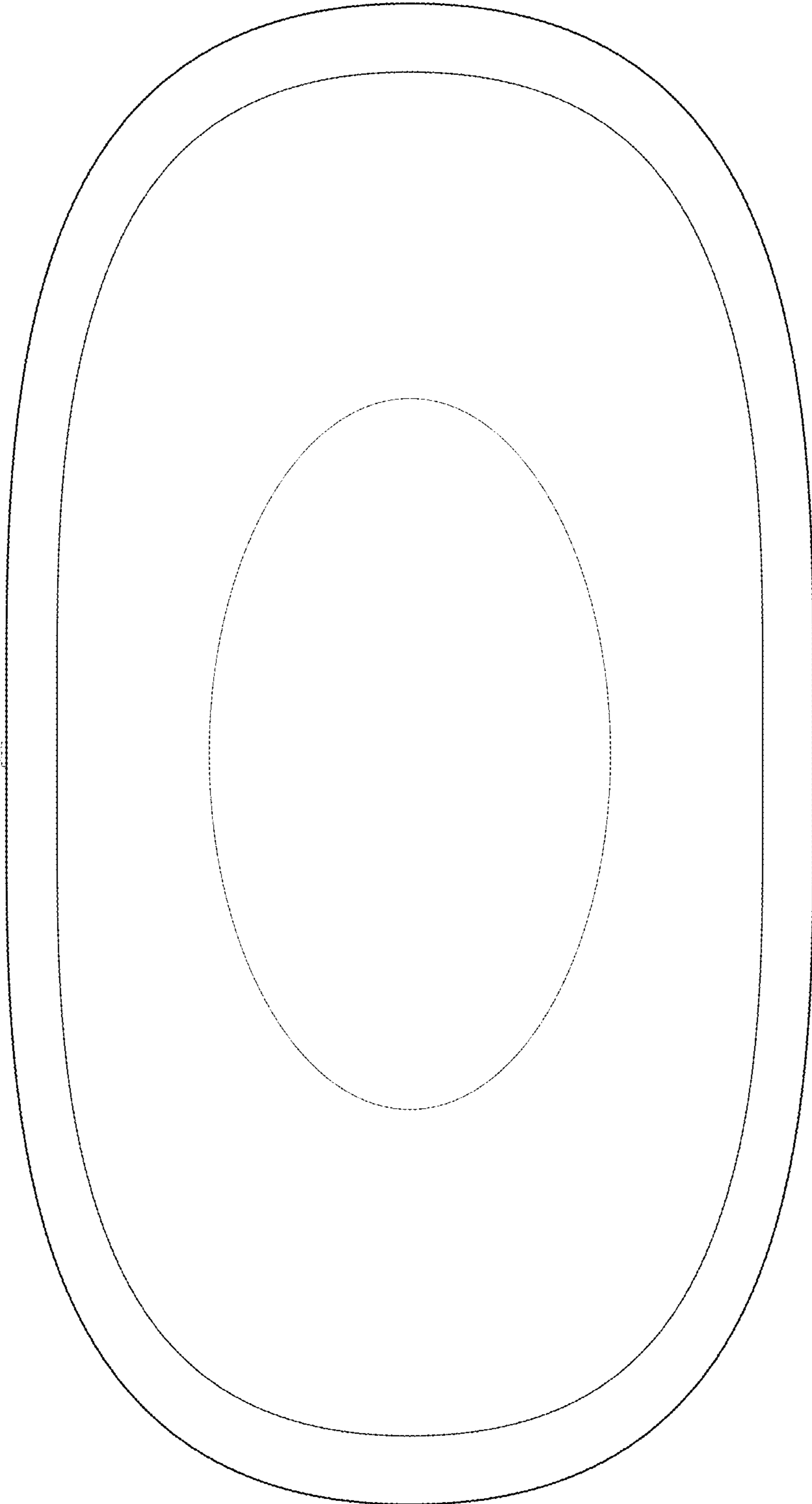


FIG. 7

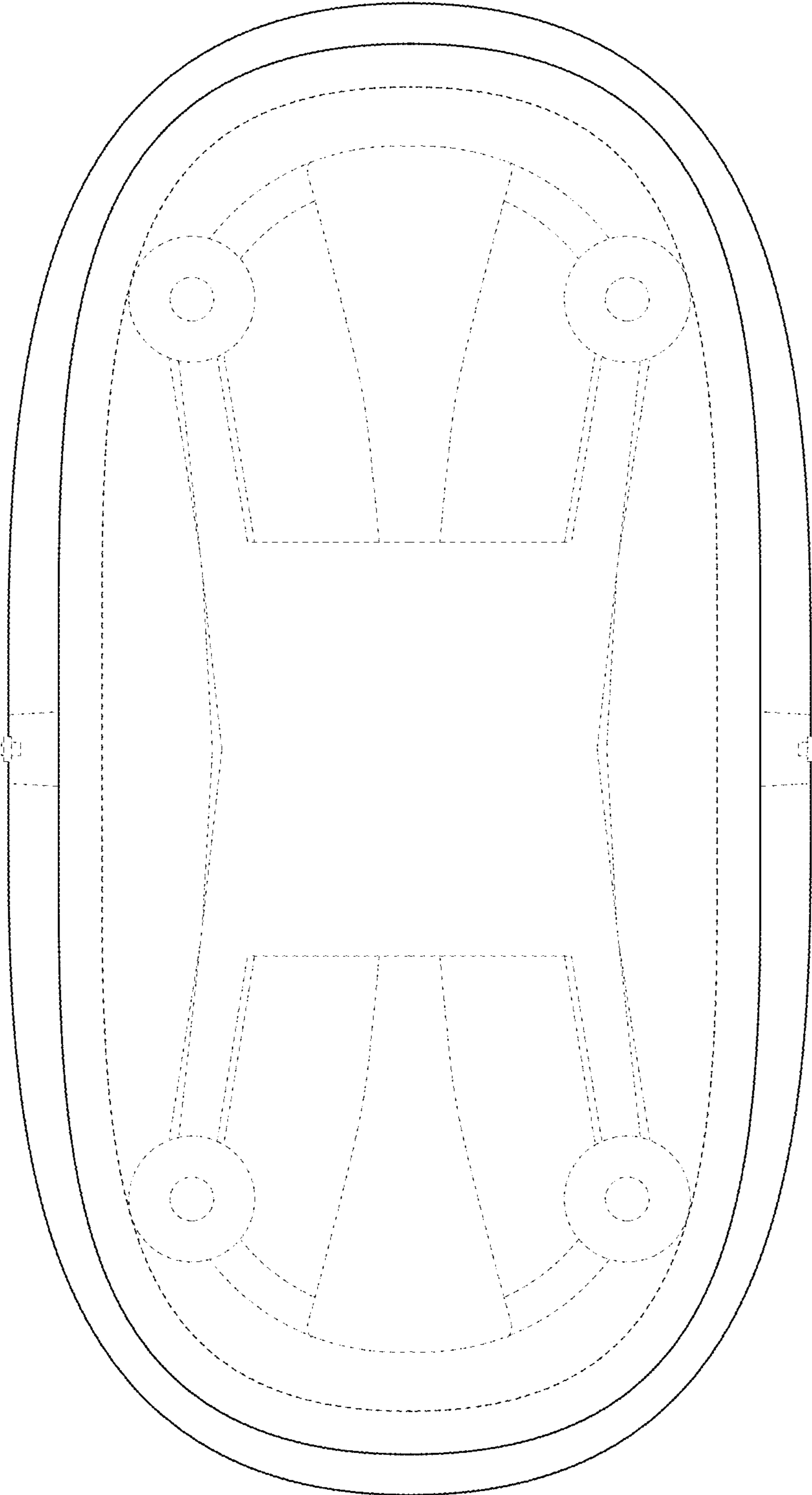


FIG. 8