



US00D813569S

(12) **United States Design Patent**
Guerra et al.

(10) **Patent No.:** **US D813,569 S**
(45) **Date of Patent:** **** Mar. 27, 2018**

- (54) **CORD GUIDE FOR A ROMAN BLIND SYSTEM**
- (71) Applicant: **Acmeda Pty Ltd**, Broadmeadows VIC (AU)
- (72) Inventors: **Alirio E. Guerra**, Mill Park VIC (AU);
Dean John Jay, Gladstone Park VIC (AU)
- (73) Assignee: **Acmeda Pty Ltd**, Broadmeadows VIC (AU)

- 4,697,629 A * 10/1987 Anderson E06B 9/307
160/177 R
 - 5,341,865 A * 8/1994 Fraser E06B 9/307
160/176.1 R
 - D357,381 S * 4/1995 Anderson D6/577
 - 6,095,228 A * 8/2000 Liu E06B 9/307
160/173 R
 - D439,138 S * 3/2001 Abernathy D8/356
 - D440,445 S * 4/2001 Fraser D6/580
 - 6,302,182 B1 * 10/2001 Anderson E06B 9/322
160/177 R
 - D453,440 S * 2/2002 Fraser D6/580
- (Continued)

- (**) Term: **15 Years**
- (21) Appl. No.: **29/536,812**
- (22) Filed: **Aug. 19, 2015**

(30) **Foreign Application Priority Data**

Feb. 20, 2015 (AU) 201510934

- (51) **LOC (11) Cl.** **06-10**
- (52) **U.S. Cl.**
USPC **D6/580**

(58) **Field of Classification Search**

USPC D6/575, 577, 580, 581; D8/349-383
CPC . E06B 9/262; E06B 9/32; E06B 9/322; E06B
9/324; E06B 9/34; E06B 9/40; E06B
9/42; E06B 9/56; E06B 9/58; E06B 9/68;
E06B 9/72; E06B 2003/2639; E06B
2009/3225; E06B 2009/801-2009/804;
B60J 1/205

See application file for complete search history.

(56) **References Cited**

U.S. PATENT DOCUMENTS

- 3,630,264 A * 12/1971 Debs E06B 9/307
160/177 R
- 4,476,909 A * 10/1984 Anderle E06B 9/324
160/178.2

FOREIGN PATENT DOCUMENTS

CN 203584275 5/2014

Primary Examiner — Celia Murphy

Assistant Examiner — Clare Ann Gannon

(74) *Attorney, Agent, or Firm* — Head, Johnson,
Kachigian & Wilkinson, PC

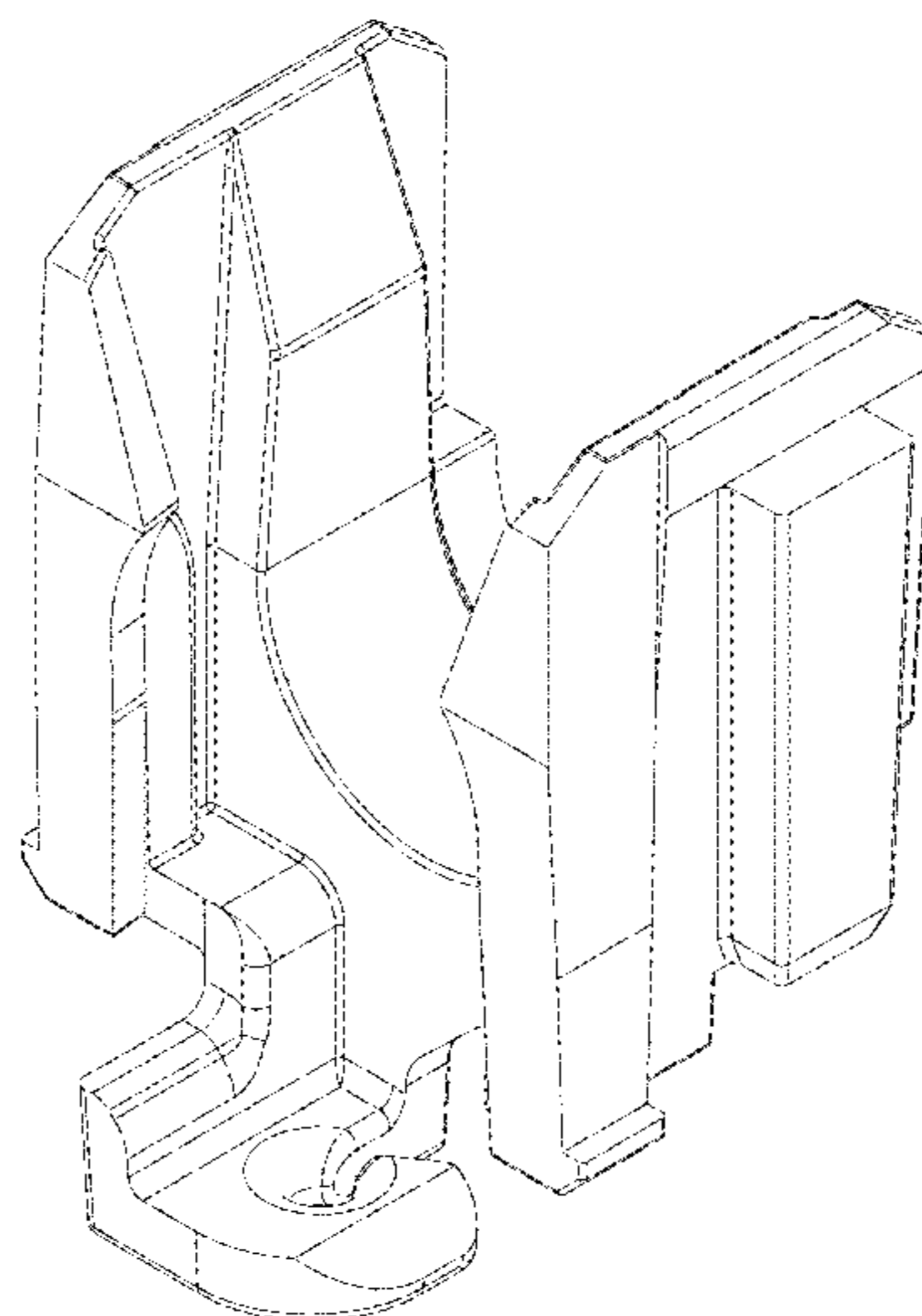
(57) **CLAIM**

The ornamental design for a cord guide for a roman blind system, as shown and described.

DESCRIPTION

FIG. 1 is a top view of the cord guide for a roman blind system of the present invention;
FIG. 2 is a bottom view thereof;
FIG. 3 is a front view thereof;
FIG. 4 is a back view thereof;
FIG. 5 is a perspective front view thereof;
FIG. 6 is a perspective rear view thereof;
FIG. 7 is a further perspective front view thereof;
FIG. 8 is a further perspective rear view thereof;
FIG. 9 is a left side view thereof; and,
FIG. 10 is a right side view thereof.
Portions of the article shown in broken lines are not included in the claim or depict environment that is not included in the claim.

1 Claim, 10 Drawing Sheets



(56)

References Cited

U.S. PATENT DOCUMENTS

D568,663	S *	5/2008	Chou	D6/580
7,866,367	B2 *	1/2011	Liang	E06B 9/307 160/170
D661,177	S *	6/2012	Kobayashi	D8/356
D699,977	S *	2/2014	Malekpour	D6/580
2003/0111188	A1 *	6/2003	Cross	A47H 3/08 160/84.01
2004/0134628	A1 *	7/2004	Judkins	E06B 9/323 160/178.1 R
2004/0144501	A1	7/2004	Oskam et al.	
2006/0042763	A1 *	3/2006	Le Ru	E06B 9/308 160/171
2006/0118248	A1 *	6/2006	Anderson	E06B 9/262 160/84.04
2007/0169898	A1 *	7/2007	Lin	E06B 9/322 160/171
2009/0120593	A1 *	5/2009	Lesperance	E06B 9/322 160/84.02
2009/0256036	A1 *	10/2009	Wilson	E06B 9/42 248/201
2011/0289735	A1 *	12/2011	Barnes	E06B 9/262 24/129 R
2015/0075729	A1 *	3/2015	Anderson	E06B 9/262 160/193

* cited by examiner

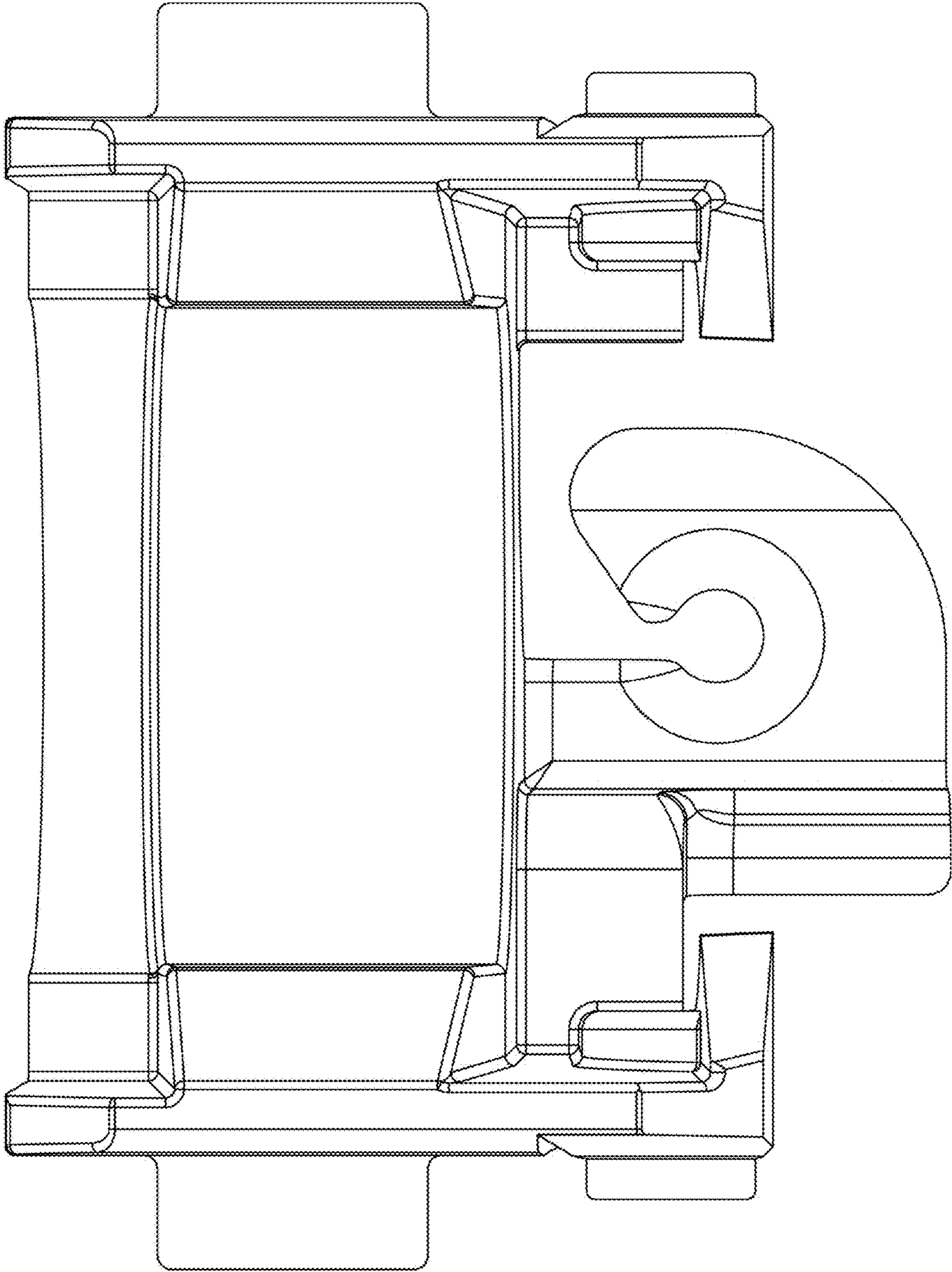


FIG. 1

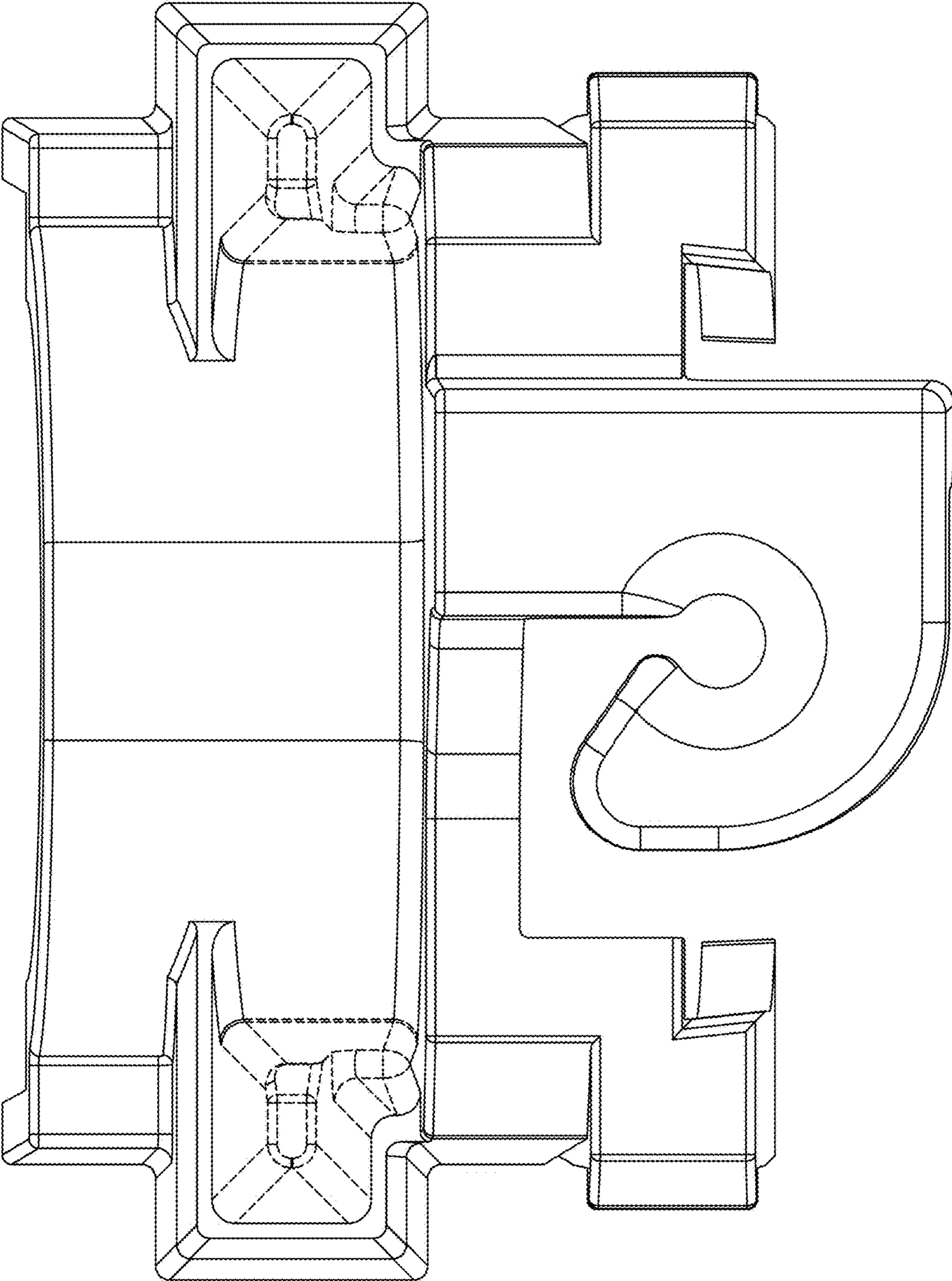


FIG. 2

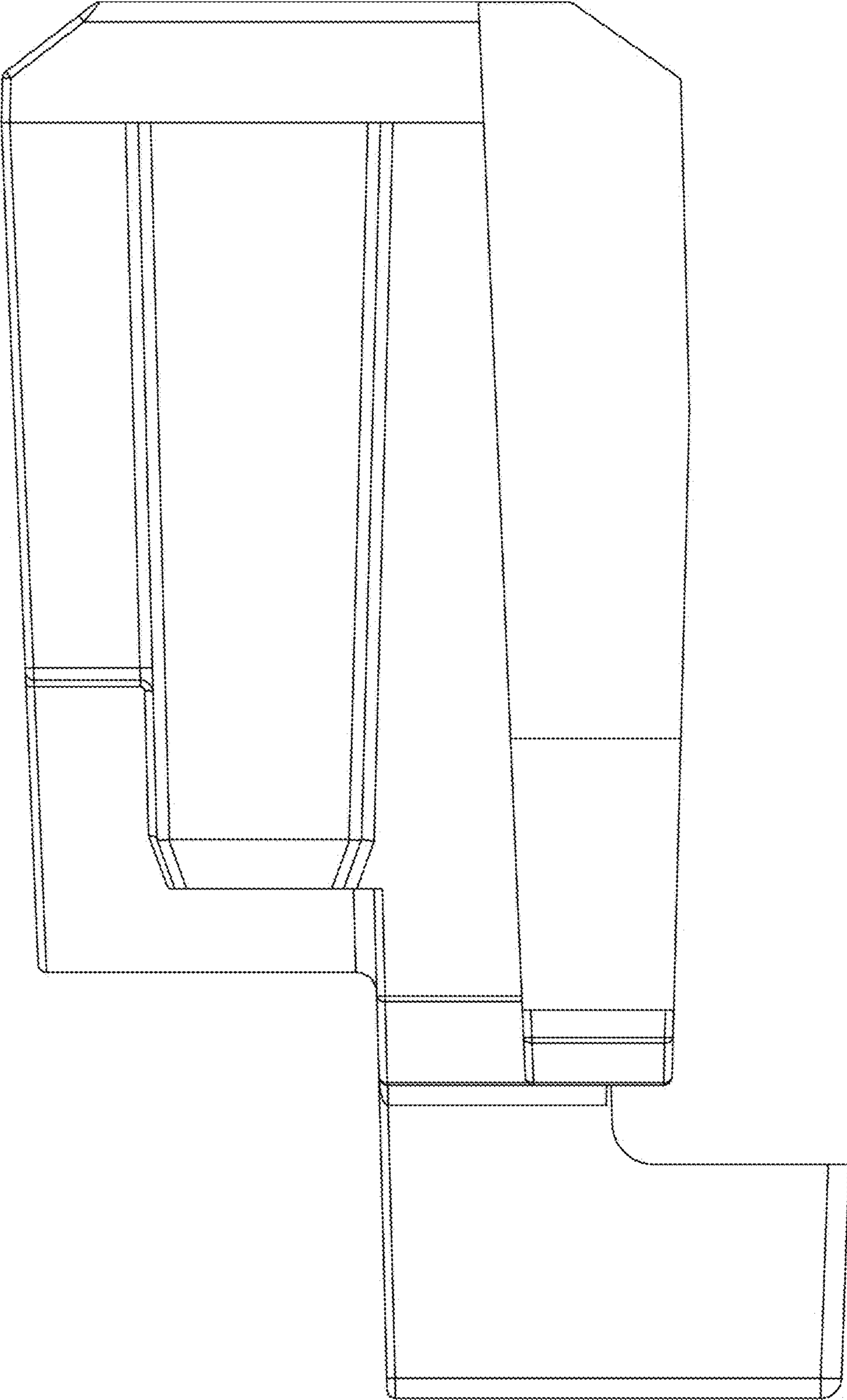


FIG. 3

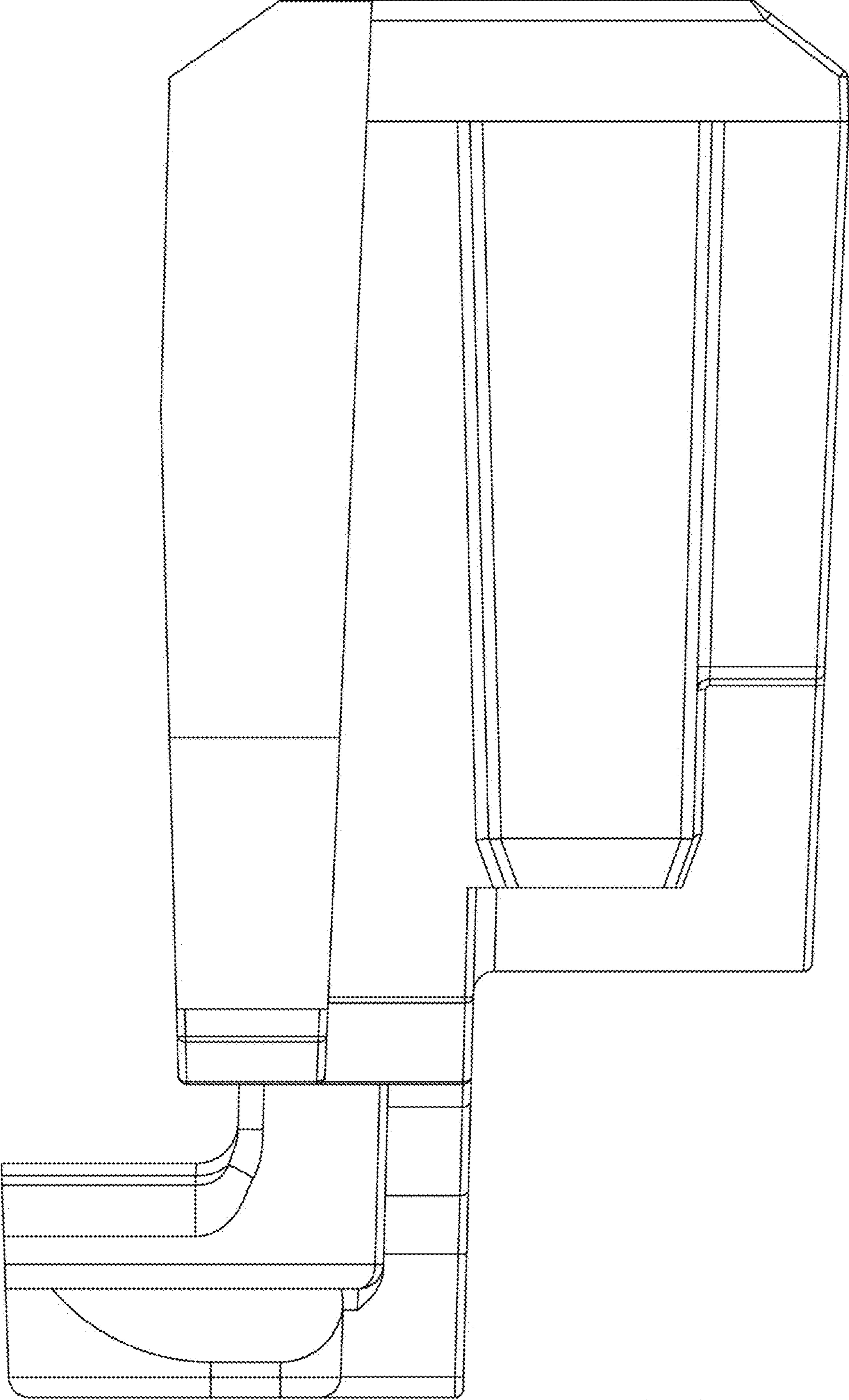


FIG. 4

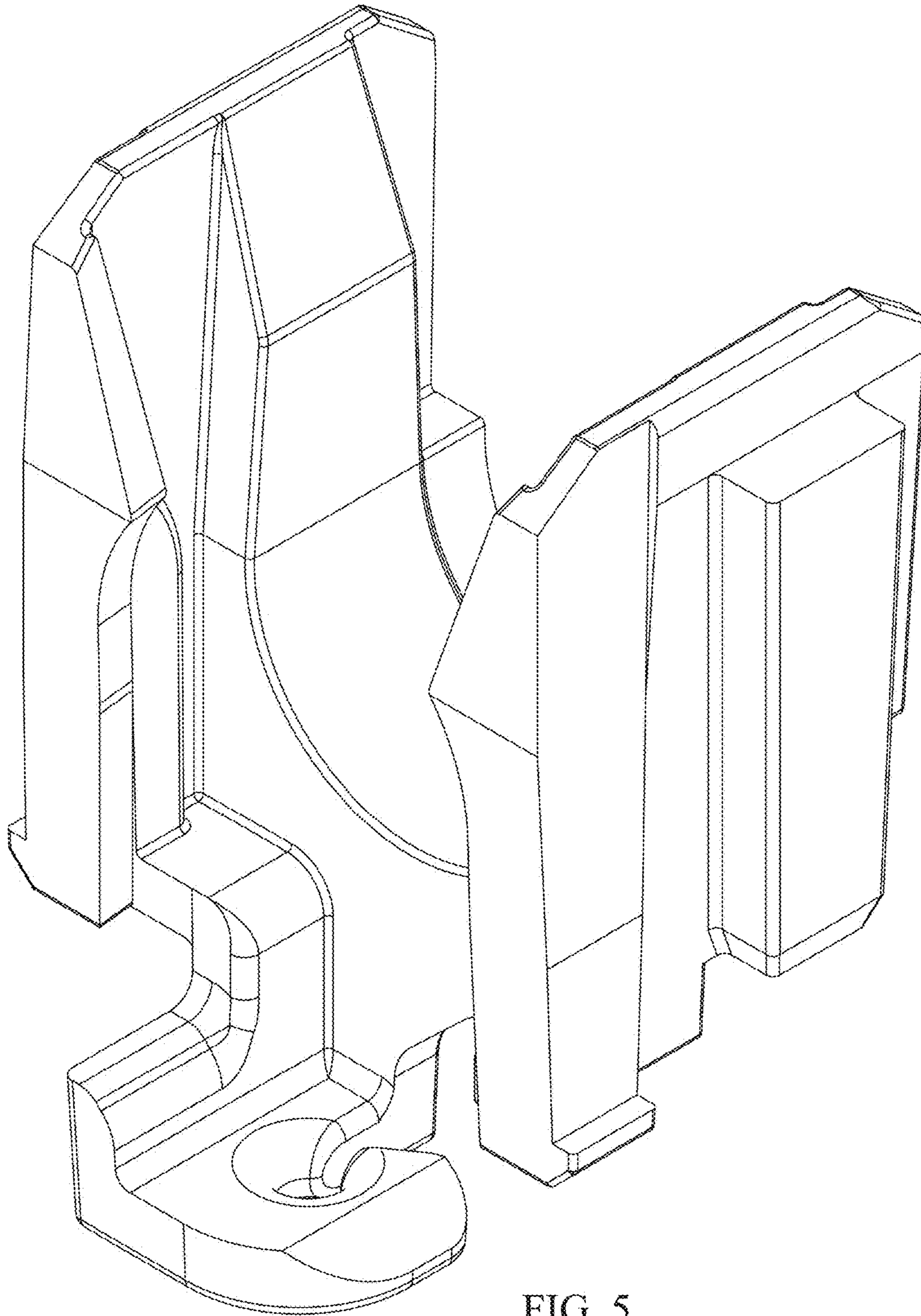


FIG. 5

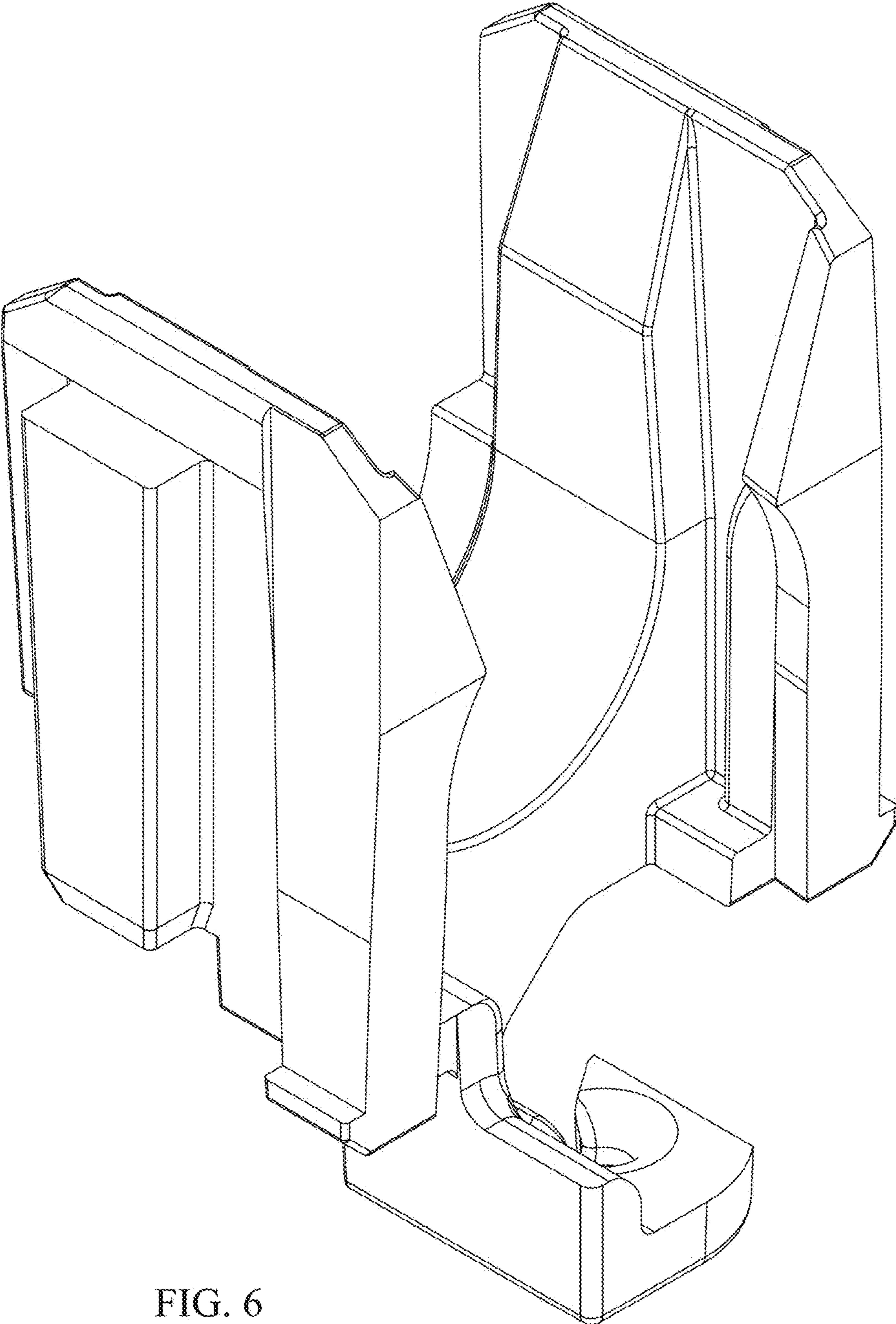


FIG. 6

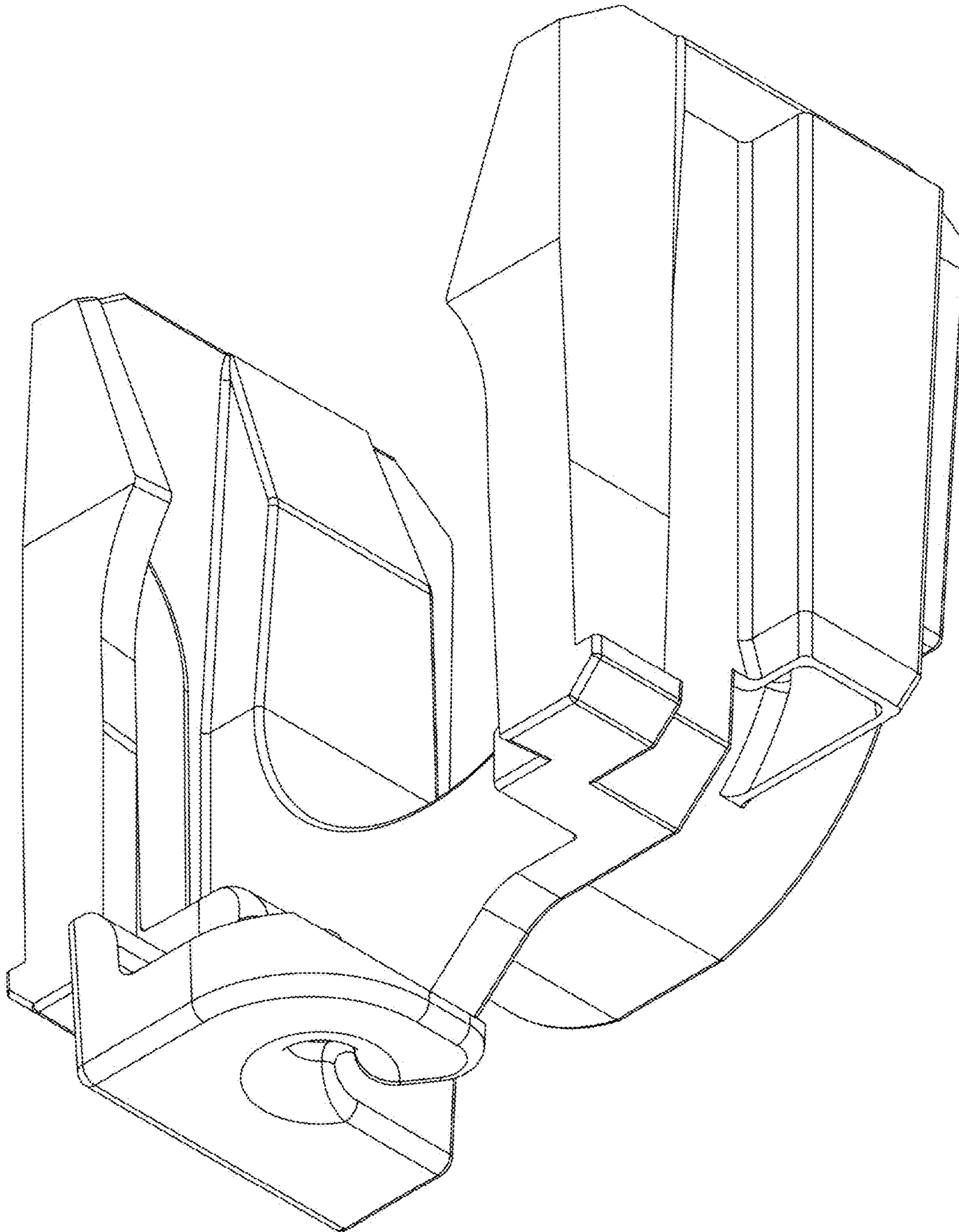


FIG. 7

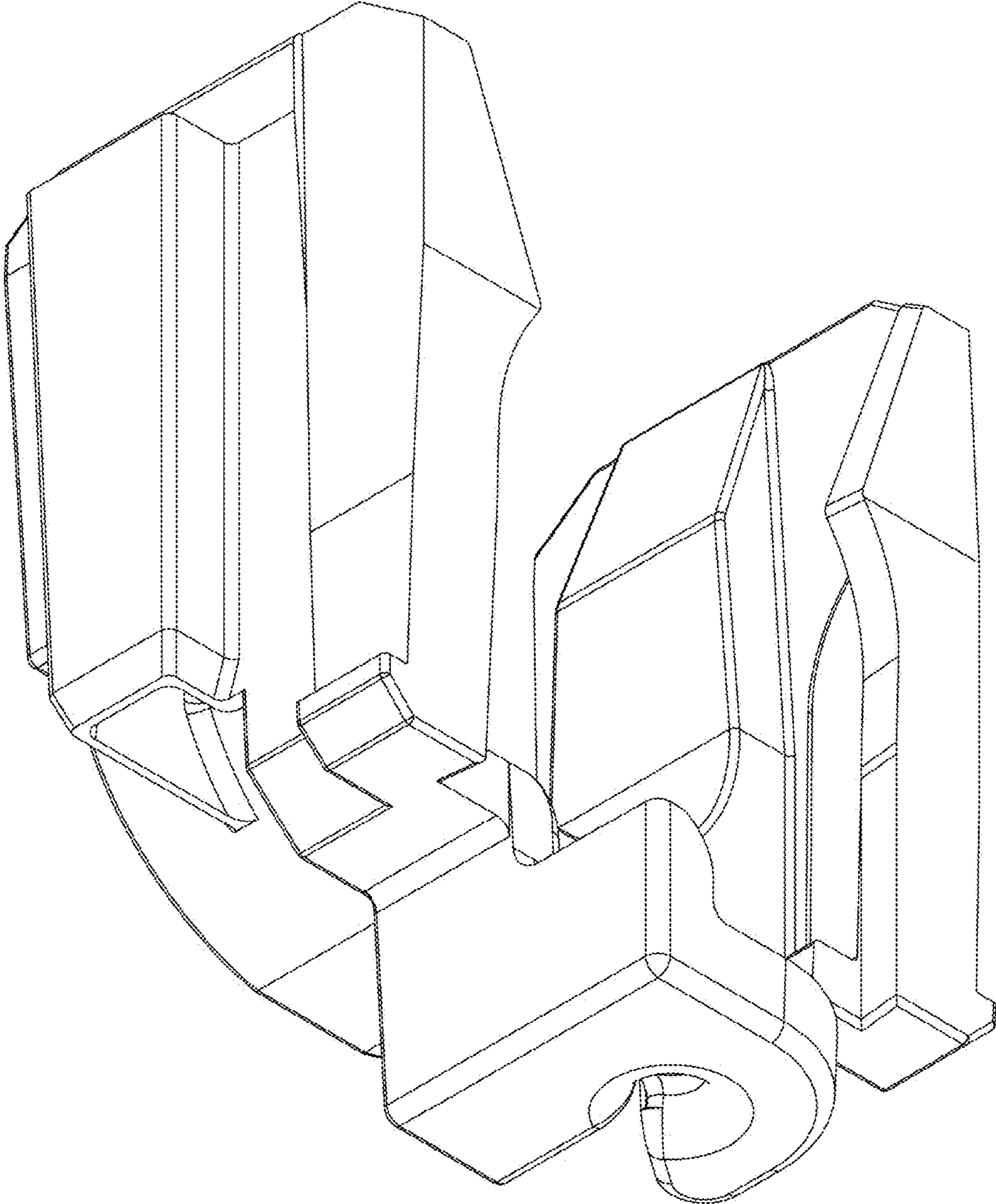


FIG. 8

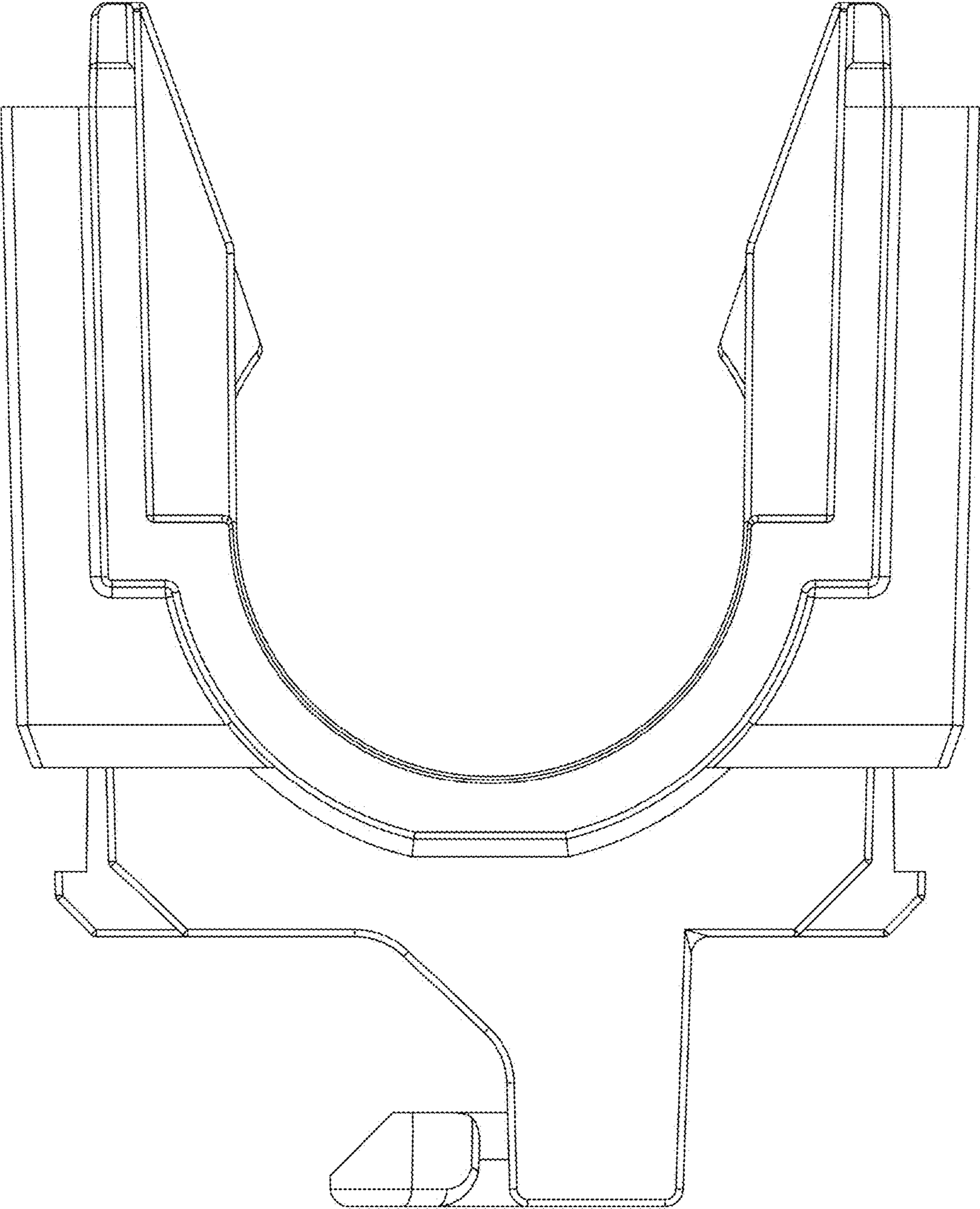


FIG. 9

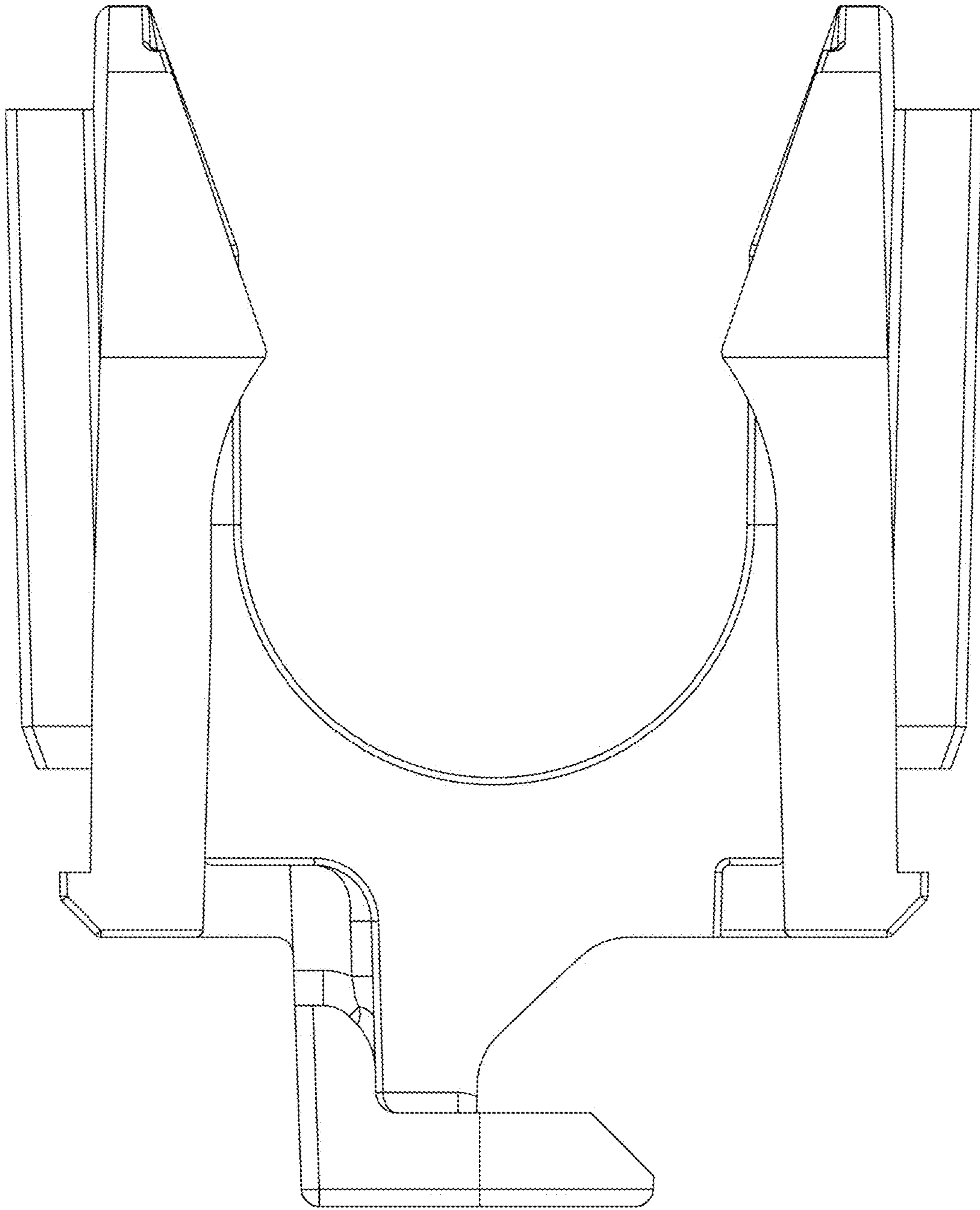


FIG. 10