



US00D813568S

(12) **United States Design Patent**
Raiti

(10) **Patent No.:** **US D813,568 S**
(45) **Date of Patent:** **** Mar. 27, 2018**

(54) **LOCKING PIECE FOR SECURING ELONGATE COMPONENTS**
(71) Applicant: **Acmeda Pty Ltd**, Broadmeadows VIC (AU)
(72) Inventor: **Nathan Raiti**, Fitzroy (AU)
(73) Assignee: **Acmeda Pty Ltd**, Broadmeadows VIC (AU)

6,089,484 A * 7/2000 Zwayer A01K 89/0102
242/239
D568,083 S * 5/2008 Chou D6/580
D645,727 S * 9/2011 Bergmann D8/350
8,286,686 B2 * 10/2012 Cannaverde E06B 9/326
160/178.1 R
2014/0374038 A1 * 12/2014 Chen E06B 9/324
160/370
2015/0337595 A1 * 11/2015 Seib E06B 9/42
192/66.1
2017/0044821 A1 * 2/2017 Anderson E06B 9/304

(**) Term: **15 Years**

* cited by examiner

(21) Appl. No.: **29/536,804**

Primary Examiner — Celia A Murphy

(22) Filed: **Aug. 19, 2015**

Assistant Examiner — Clare A Gannon

(30) **Foreign Application Priority Data**

(74) *Attorney, Agent, or Firm* — Head, Johnson, Kachigian & Wilkinson, PC

Feb. 20, 2015 (AU) 201510925

(51) **LOC (11) Cl.** **06-10**

(52) **U.S. Cl.**
USPC **D6/580**

(58) **Field of Classification Search**
USPC D6/575, 577, 580, 581; D8/349–383
CPC . E06B 9/262; E06B 9/32; E06B 9/322; E06B 9/324; E06B 9/34; E06B 9/40; E06B 9/42; E06B 9/56; E06B 9/58; E06B 9/68; E06B 9/72; E06B 2003/2639; E06B 2009/3225; E06B 2009/801–2009/804; B60J 1/205

See application file for complete search history.

(56) **References Cited**

U.S. PATENT DOCUMENTS

4,428,546 A * 1/1984 Weideman B65H 75/22
242/578.1
5,875,829 A * 3/1999 Chou E06B 9/322
160/176.1 V

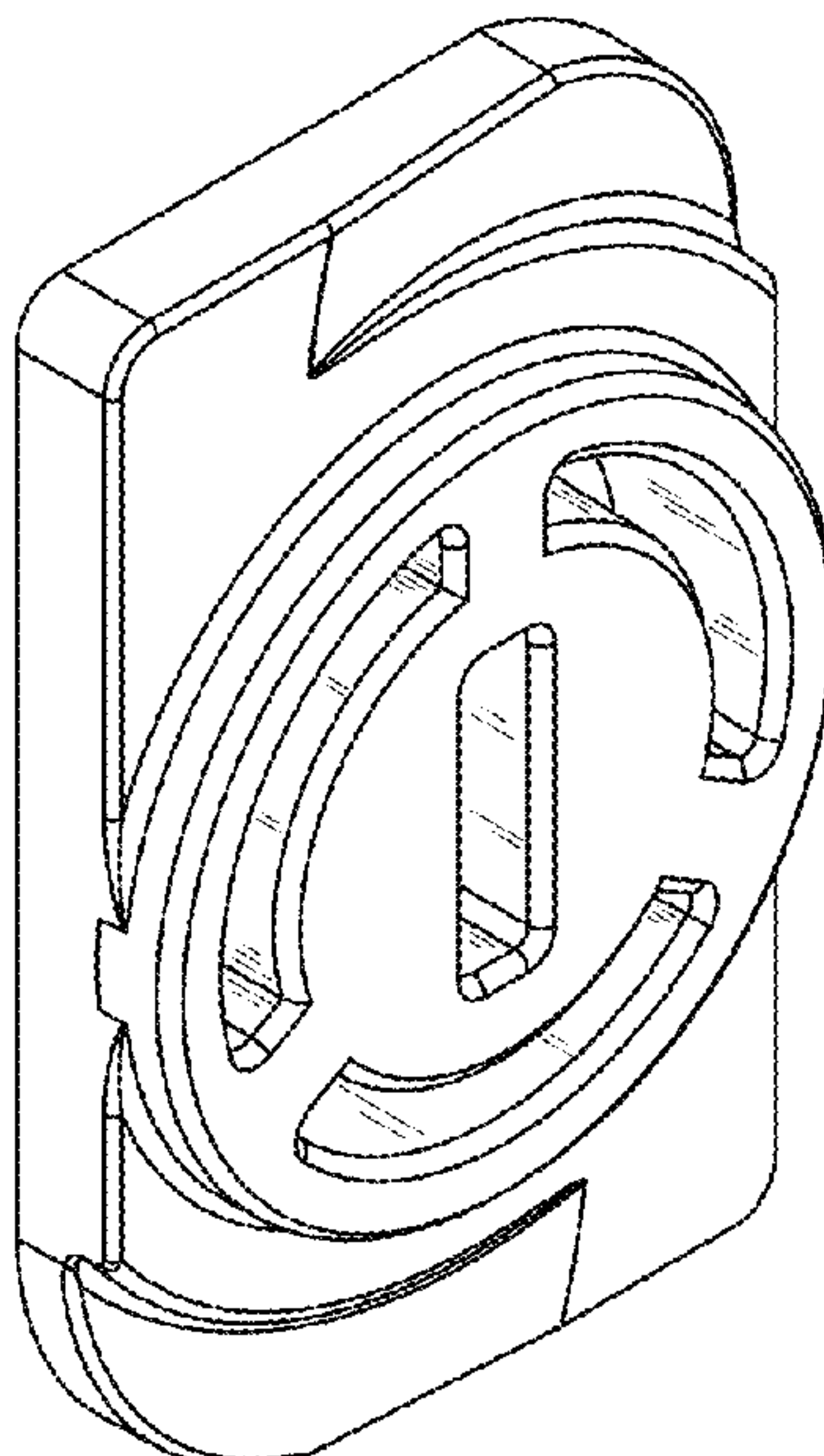
(57) **CLAIM**

The ornamental design for a locking piece for securing elongate components, as shown and described.

DESCRIPTION

FIG. 1 is a top view of the locking piece for securing elongate components of the present invention;
FIG. 2 is a bottom view thereof;
FIG. 3 is a back view thereof;
FIG. 4 is a front view thereof;
FIG. 5 is a perspective back view thereof;
FIG. 6 is a perspective front view thereof; and,
FIG. 7 is a right side view thereof, the left side being a mirror image thereof.

1 Claim, 4 Drawing Sheets



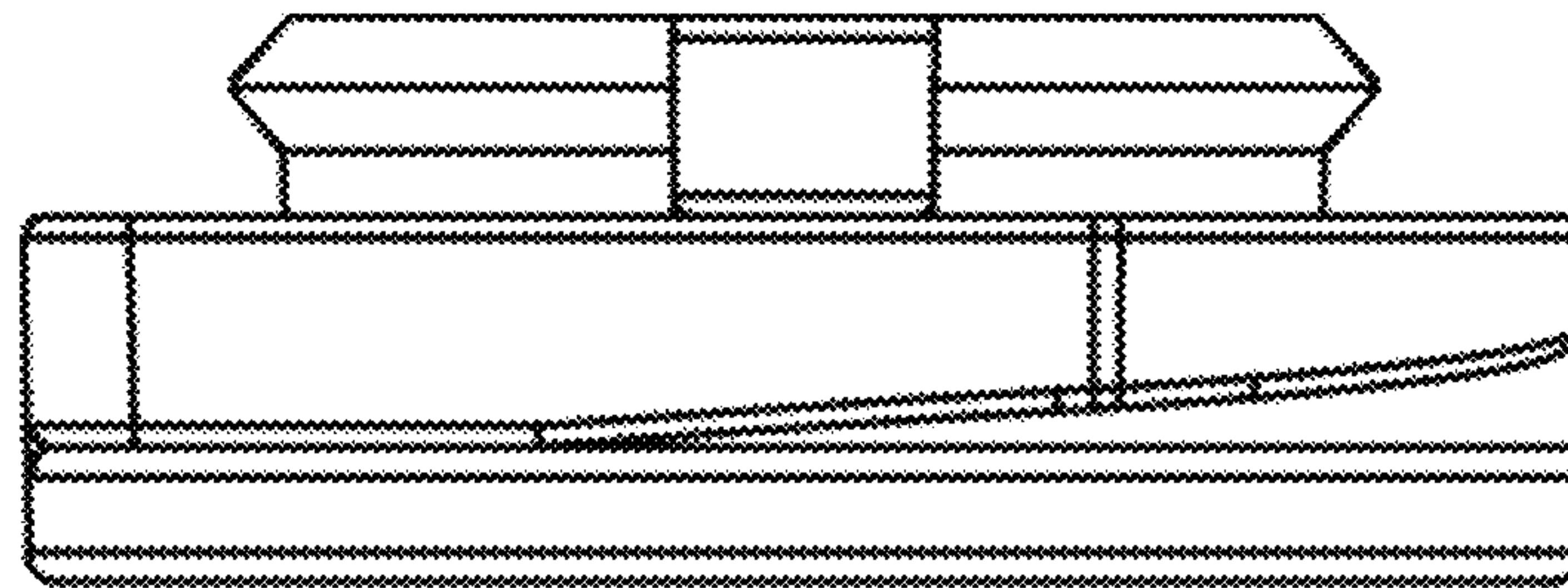


FIG. 1

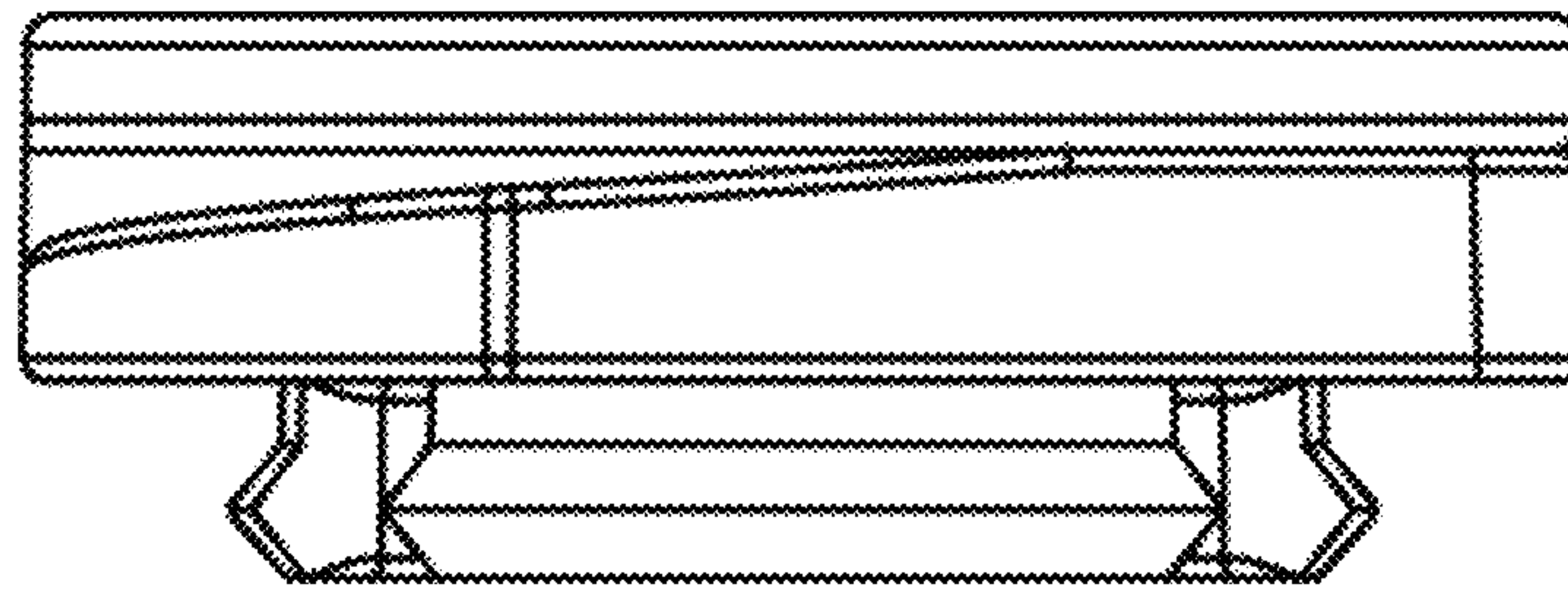


FIG. 2

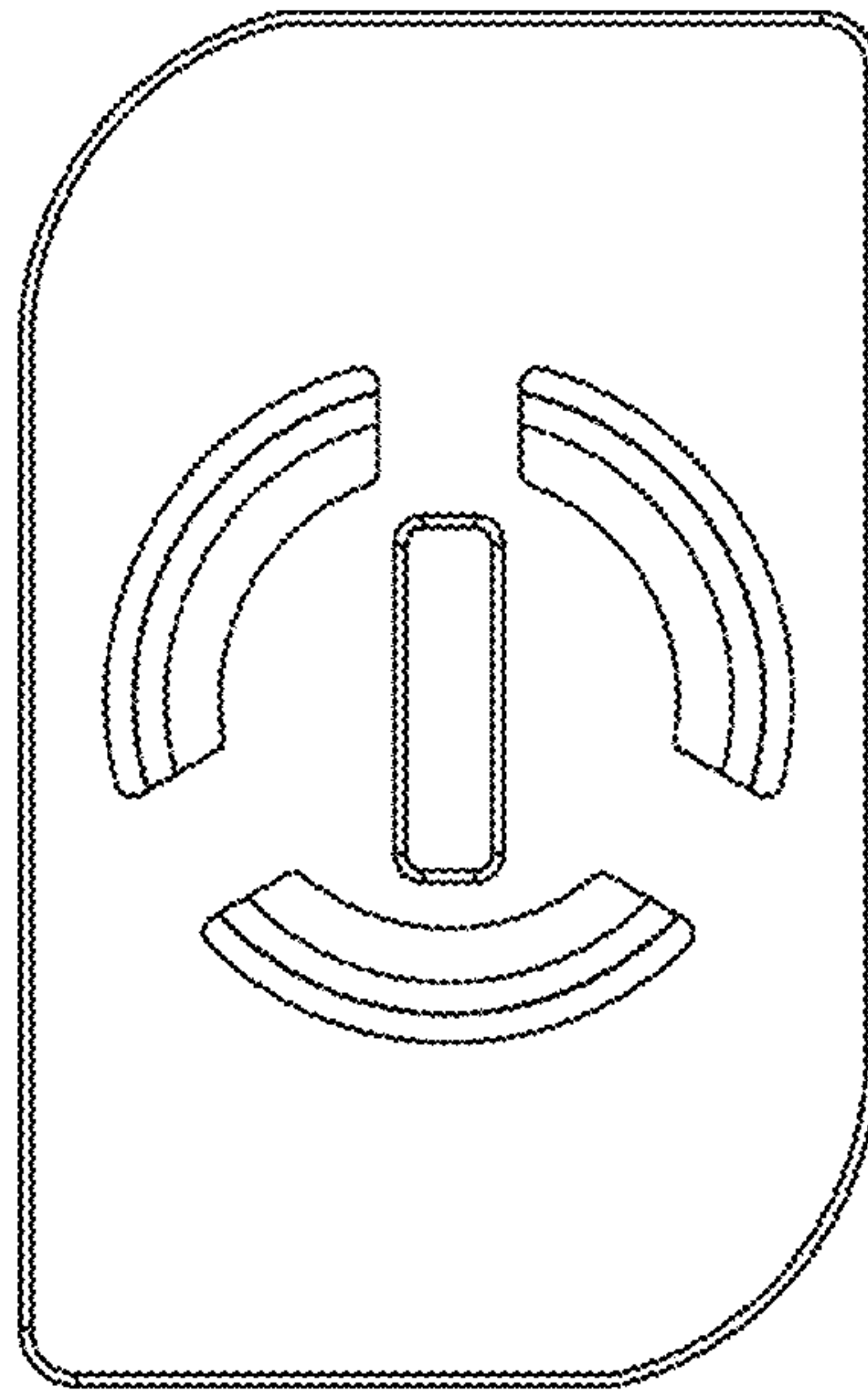


FIG. 3

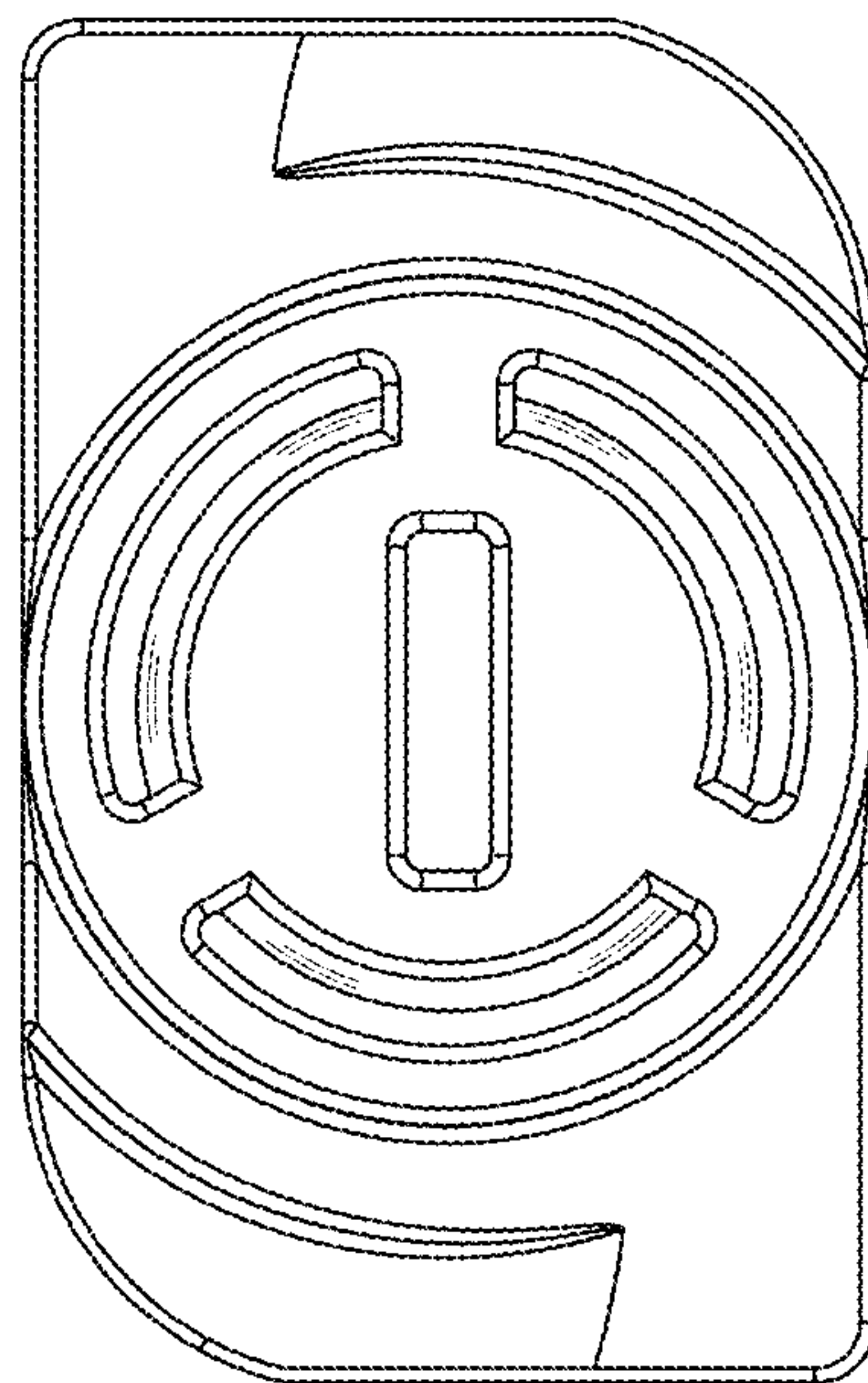


FIG. 4

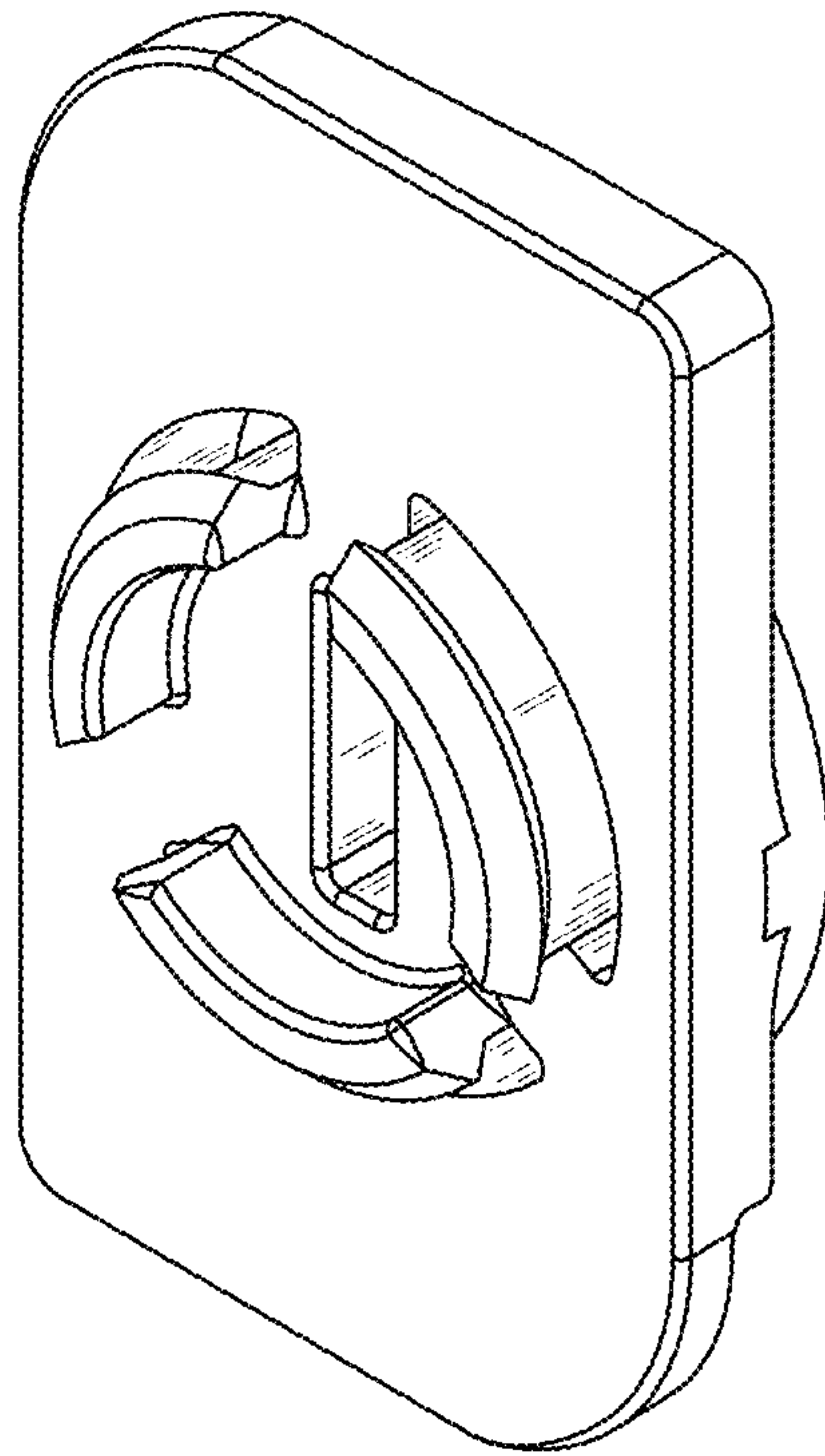


FIG. 5

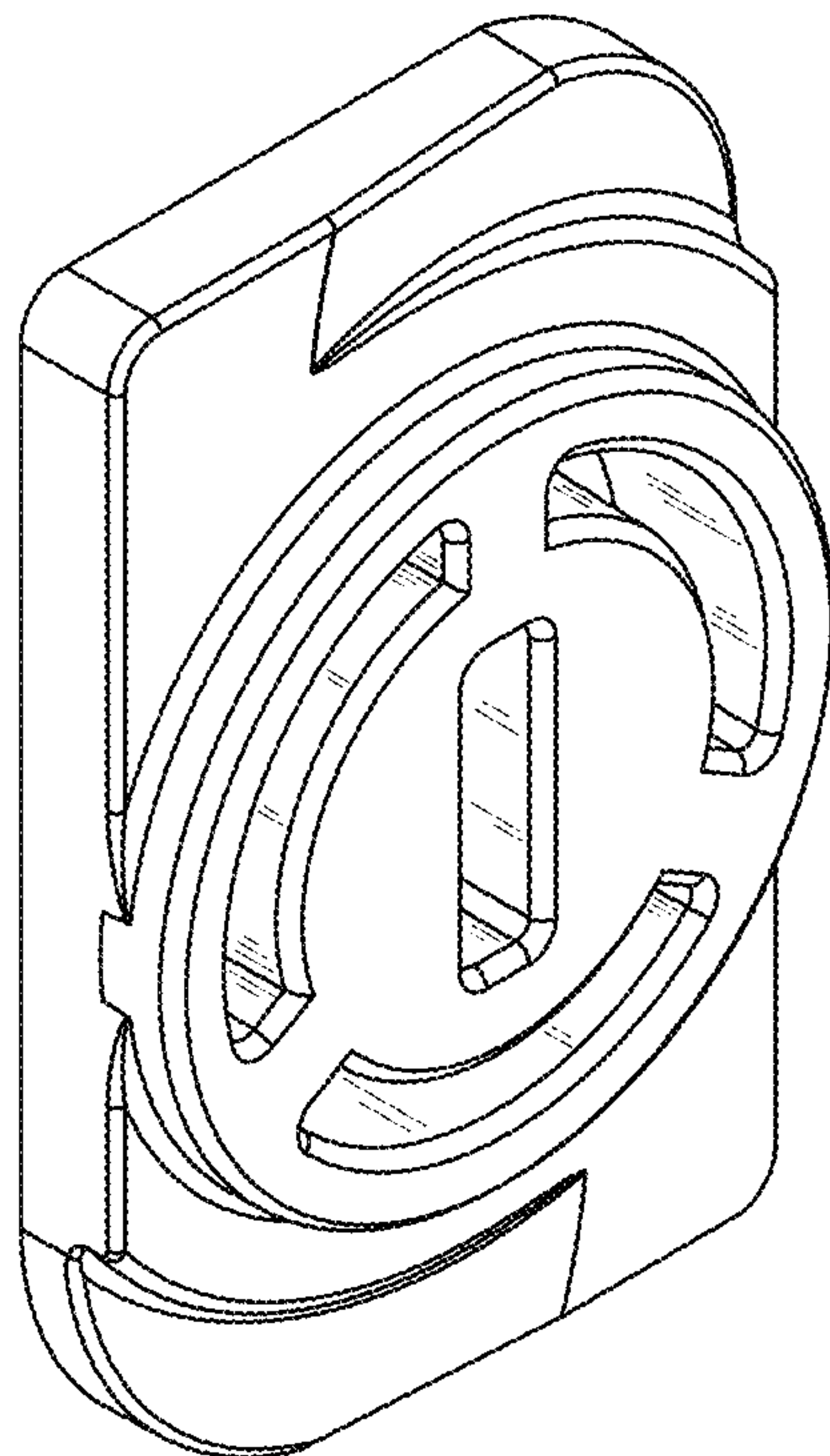


FIG. 6

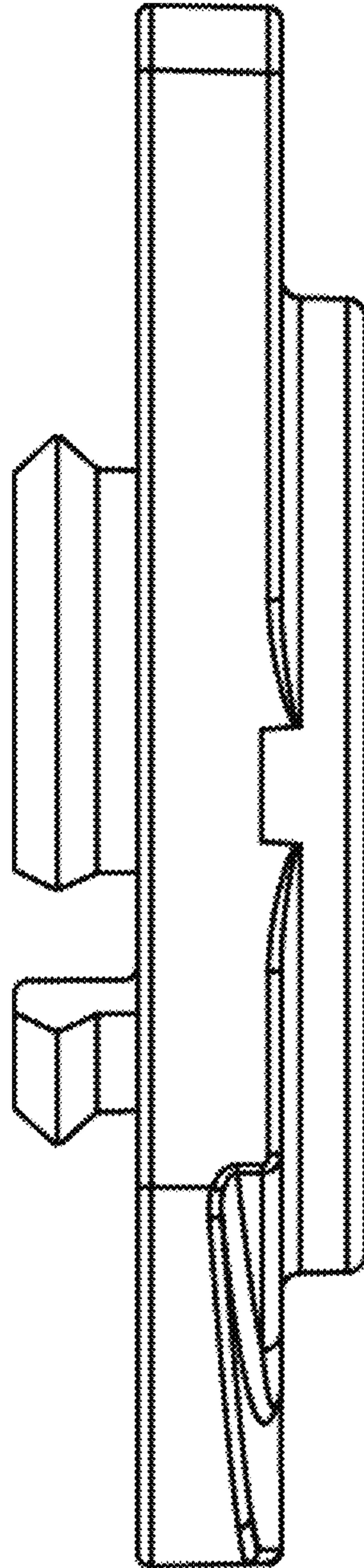


FIG. 7