



US00D813565S

(12) **United States Design Patent**  
**Greenspon**

(10) **Patent No.:** **US D813,565 S**

(45) **Date of Patent:** **\*\* Mar. 27, 2018**

(54) **BATH CADDY**

(71) Applicant: **Honey-Can-Do International, LLC,**  
Berkeley, IL (US)

(72) Inventor: **Steven B. Greenspon,** Berkeley, IL  
(US)

(73) Assignee: **Honey-Can-Do International, LLC,**  
Berkeley, IL (US)

(\*\*) Term: **15 Years**

(21) Appl. No.: **29/594,325**

(22) Filed: **Feb. 17, 2017**

(51) **LOC (11) Cl.** ..... **23-02**

(52) **U.S. Cl.**

USPC ..... **D6/525**

(58) **Field of Classification Search**

USPC ..... D6/525, 524, 527, 536, 566; 108/14, 28,  
108/47, 137, 143; 211/13.1, 71, 74, 75,  
211/86.01, 126.1, 126.9, 133.5;  
248/441.1; D3/304, 309, 315; D7/550.1,  
D7/552.1; D23/303, 304

CPC ..... A47K 1/09; A47K 3/281; A47K 3/001  
See application file for complete search history.

(56) **References Cited**

**U.S. PATENT DOCUMENTS**

D351,461 S \* 10/1994 Wannamaker ..... D23/304  
D358,458 S \* 5/1995 Brightbill ..... D23/304

D441,996 S \* 5/2001 Wright ..... D6/525  
D447,900 S \* 9/2001 Wright ..... D6/525  
D448,225 S \* 9/2001 Wright ..... D6/525  
D598,688 S \* 8/2009 Yang ..... D6/525

\* cited by examiner

*Primary Examiner* — Wan Laymon

*Assistant Examiner* — Mark Booker

(74) *Attorney, Agent, or Firm* — Adam K. Sacharoff;  
Much Shelist, P.C.

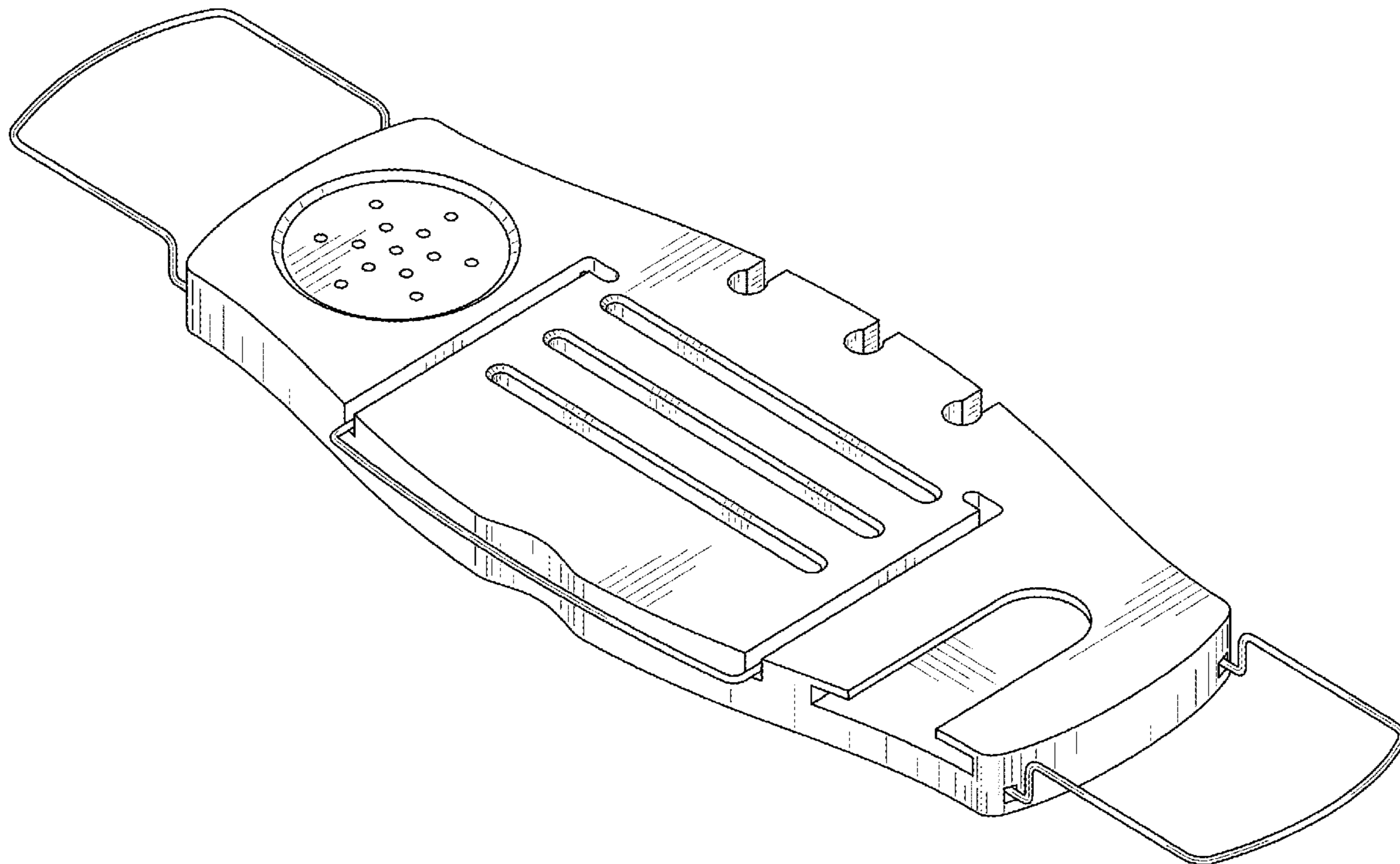
(57) **CLAIM**

The ornamental design for a bath caddy, as shown and described.

**DESCRIPTION**

FIG. 1 is a front top perspective view of a bath caddy, showing my new design;  
FIG. 2 is a rear bottom perspective view thereof;  
FIG. 3 is a front elevation view thereof;  
FIG. 4 is a rear elevation view thereof;  
FIG. 5 is a right side view thereof;  
FIG. 6 is a left side view thereof;  
FIG. 7 is a top plan view thereof; and,  
FIG. 8 is a bottom plan view thereof.

**1 Claim, 6 Drawing Sheets**



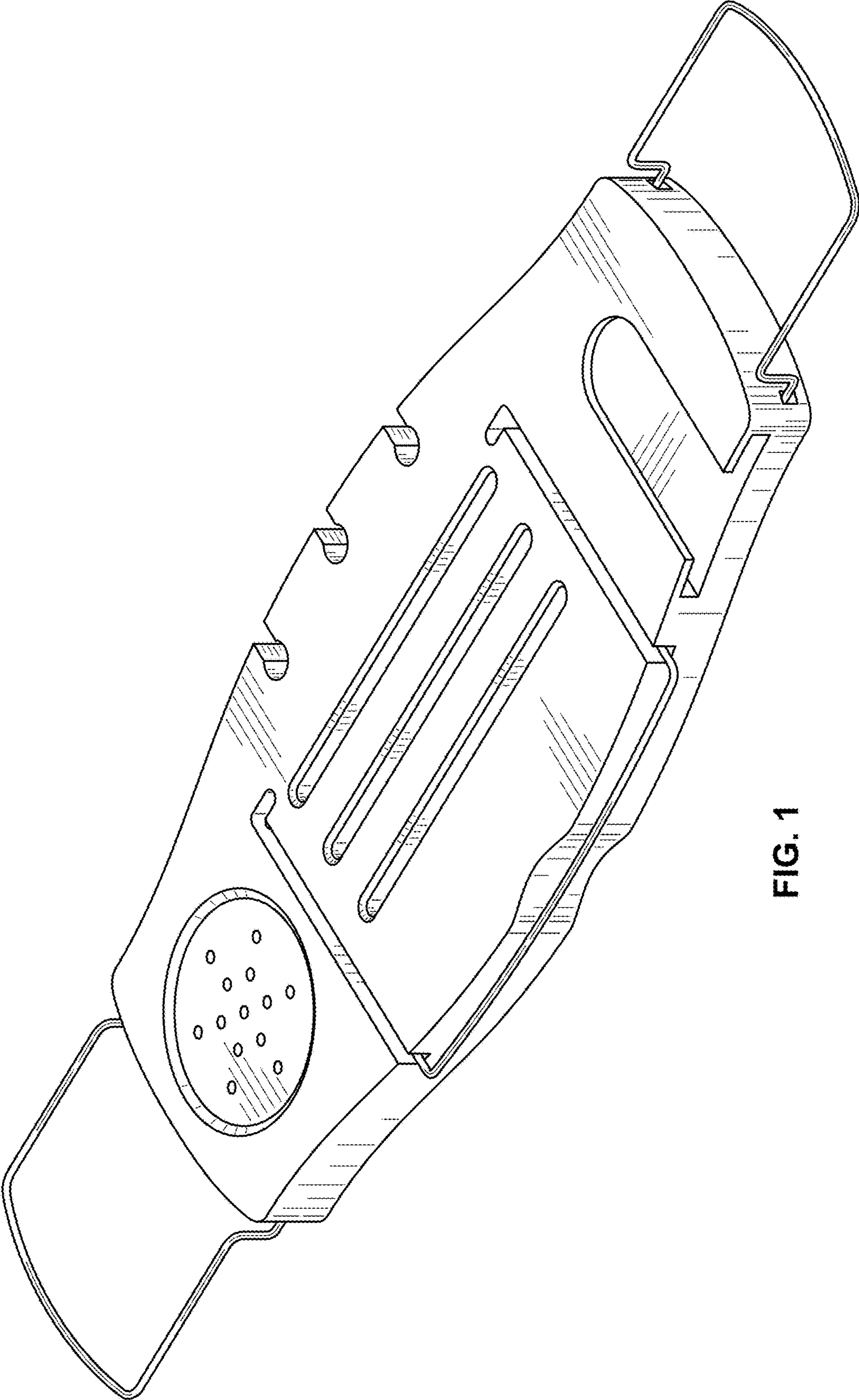


FIG. 1

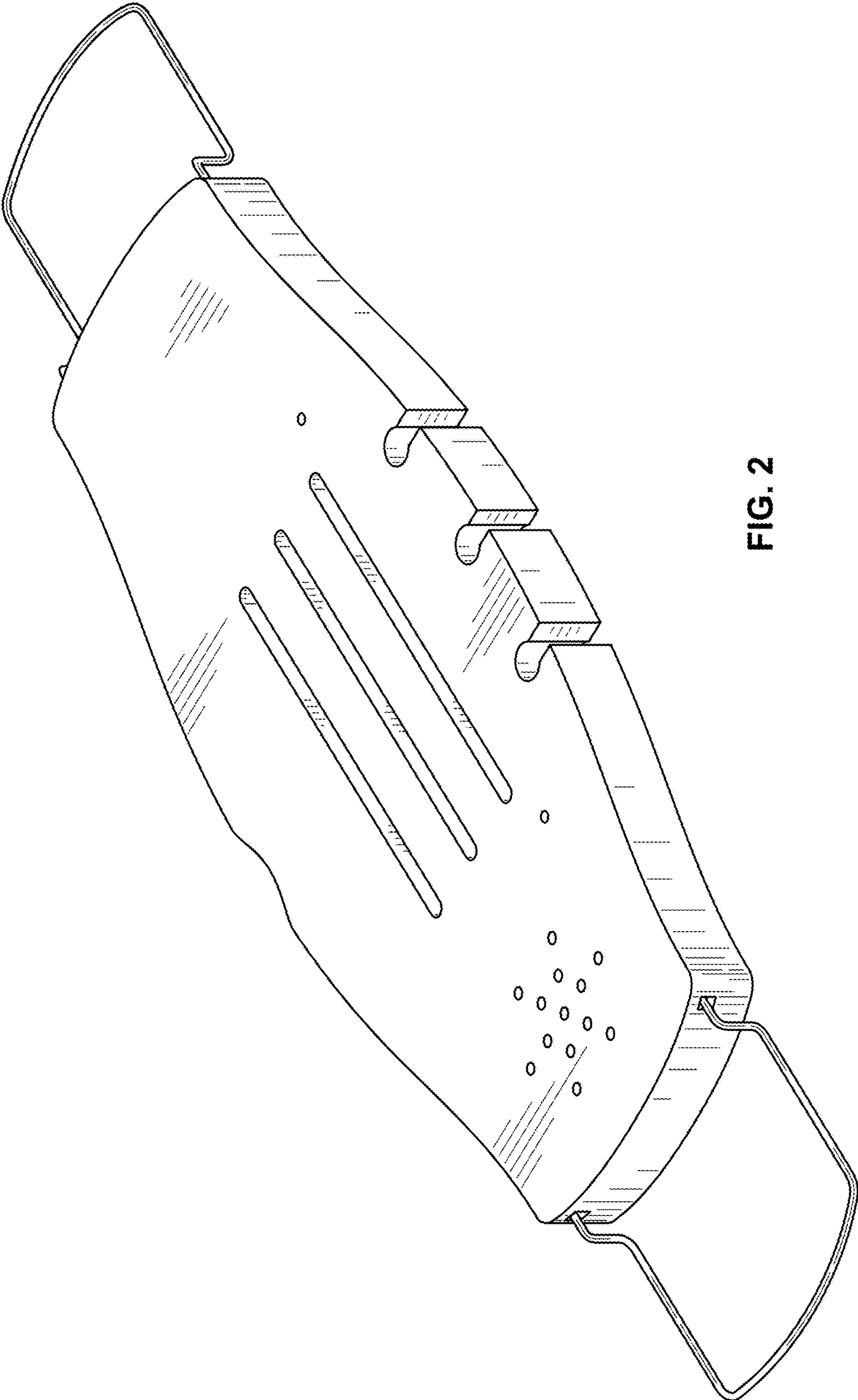


FIG. 2

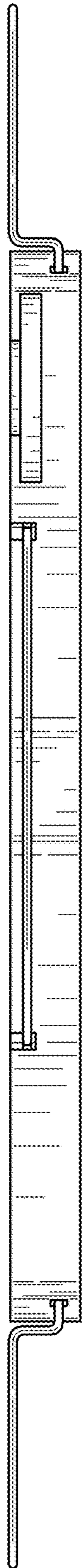


FIG. 3

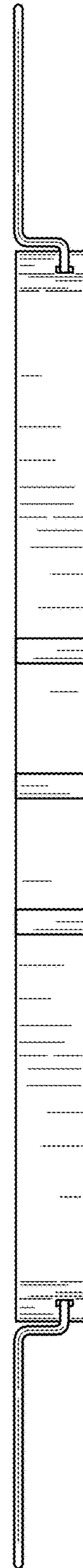


FIG. 4

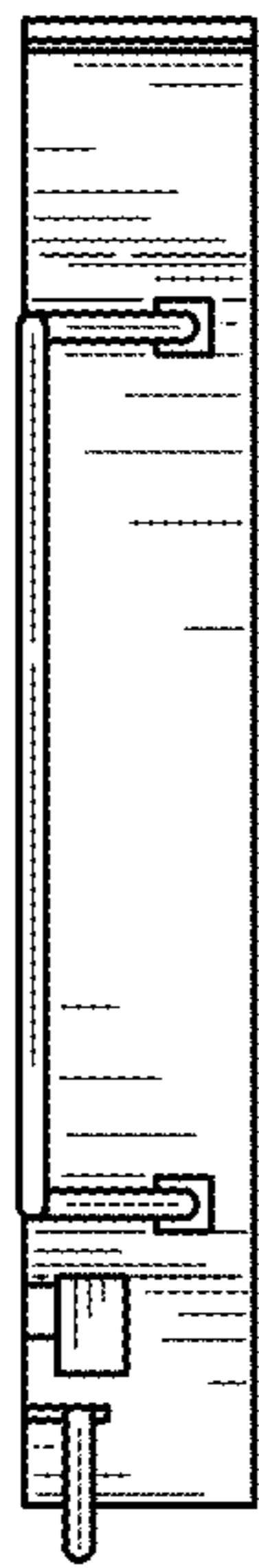


FIG. 5

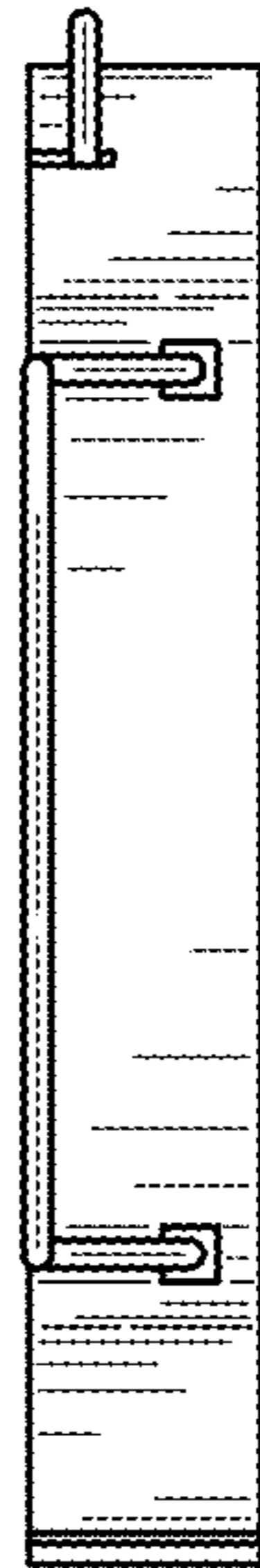


FIG. 6

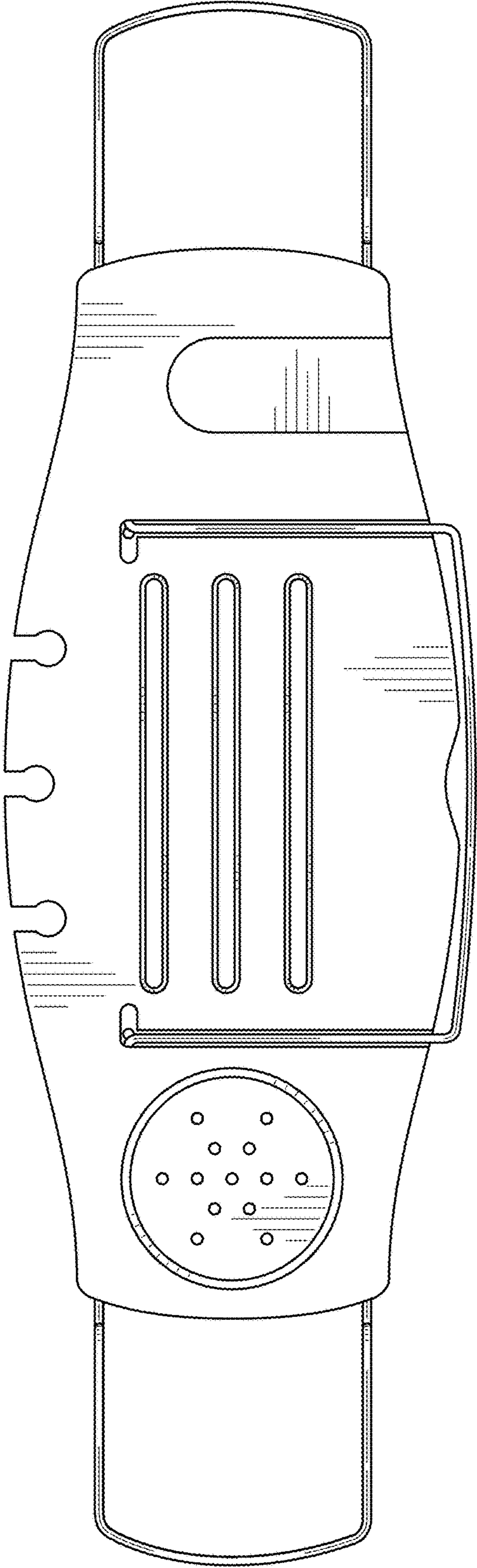


FIG. 7

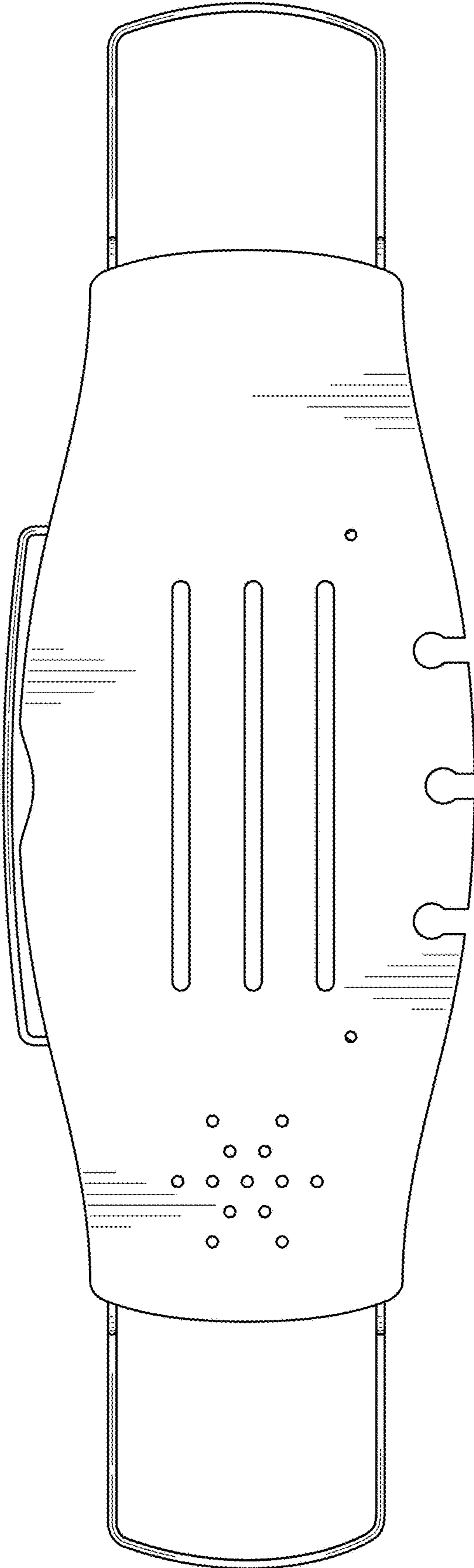


FIG. 8