



US00D813560S

(12) **United States Design Patent**
Zioni

(10) **Patent No.:** **US D813,560 S**
(45) **Date of Patent:** **** Mar. 27, 2018**

(54) **TOILET STOOL**

(71) Applicant: **Yaniv Zioni**, Los Angeles, CA (US)

(72) Inventor: **Yaniv Zioni**, Los Angeles, CA (US)

(**) Term: **15 Years**

(21) Appl. No.: **29/590,842**

(22) Filed: **Jan. 13, 2017**

(51) **LOC (11) Cl.** **06-01**

(52) **U.S. Cl.**
USPC **D6/353**

(58) **Field of Classification Search**

USPC D6/274, 334, 349–353, 360, 364–367,
D6/371–374, 403–405, 596, 691–691.9,
D6/692–692.6, 708.21, 716; D25/62–65,
D25/69

CPC A47B 7/00; A47B 7/02; A47B 9/00; A47B
13/02; A47B 23/00; A47B 39/00; A47C
7/002; A47C 7/18; A47C 3/18; A47C
3/20; A47C 9/002; A47C 9/007; A47C
9/02; A47C 11/00

See application file for complete search history.

(56) **References Cited**

U.S. PATENT DOCUMENTS

2,023,901 A *	12/1935	Rhodes	A47K 17/028
				4/254
D268,796 S *	5/1983	Kola	D6/349
D297,789 S *	9/1988	Stepien	D6/349
D652,222 S *	1/2012	Edwards	D6/349
D675,461 S *	2/2013	Henschel	D6/691.6
D677,478 S *	3/2013	Edwards	D6/349
D738,126 S *	9/2015	Edwards	D6/349
D766,604 S *	9/2016	Edwards		
D767,291 S *	9/2016	Edwards	A47C 16/025
				D6/353
D787,845 S *	5/2017	Edwards	D6/353

(Continued)

OTHER PUBLICATIONS

Squat-n-Go Adjustable Toilet Stool in Bamboo. Published on Sep. 12, 2017. Retrieved Dec. 8, 2017 from URL: https://www.bedbathandbeyond.com/store/product/squat-n-go-adjustable-toilet-stool-in-bamboo/1060969361?Keyword=squat%20n%20go.*

(Continued)

Primary Examiner — Vy N Koenig

(74) *Attorney, Agent, or Firm* — Payam Moradian

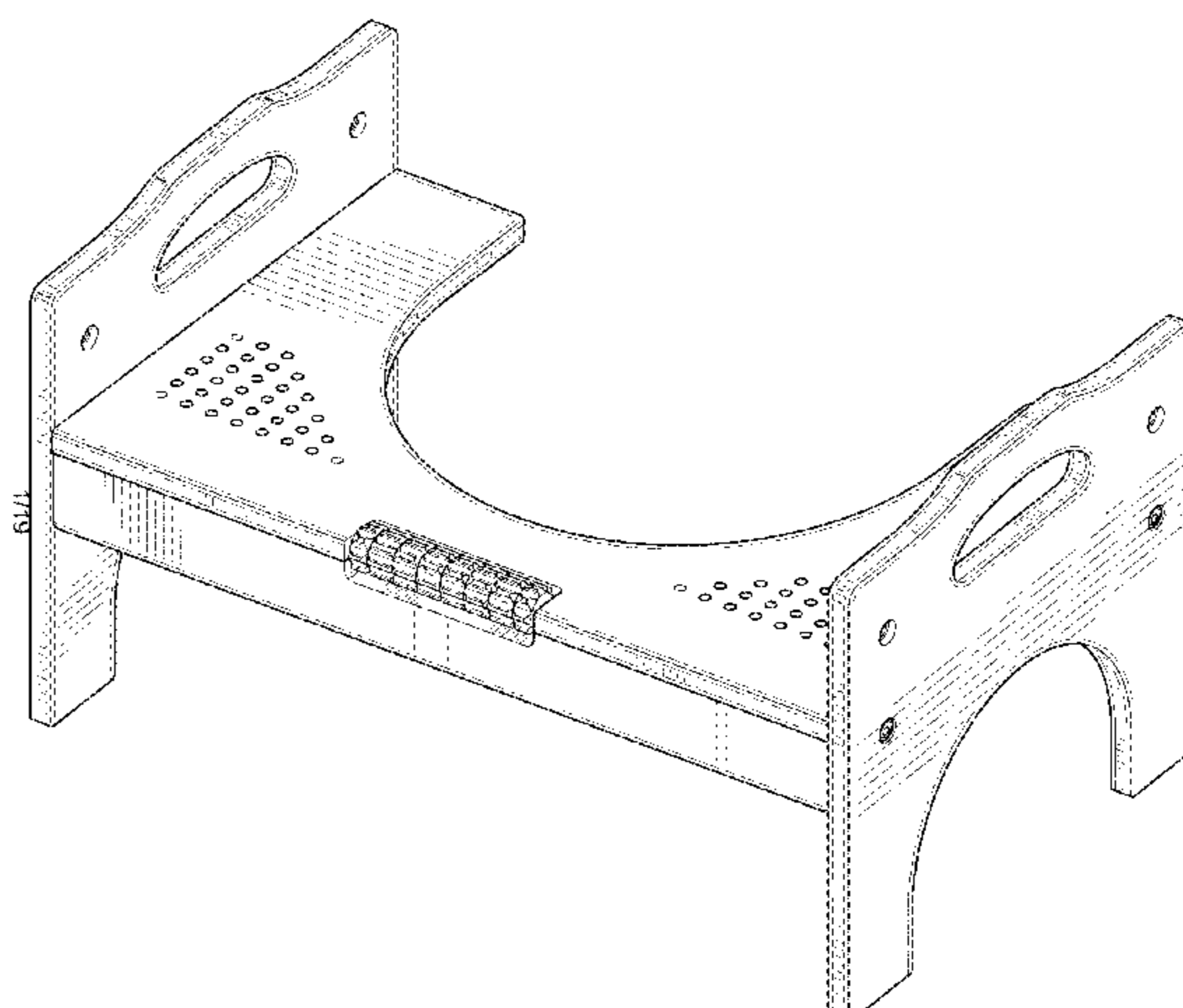
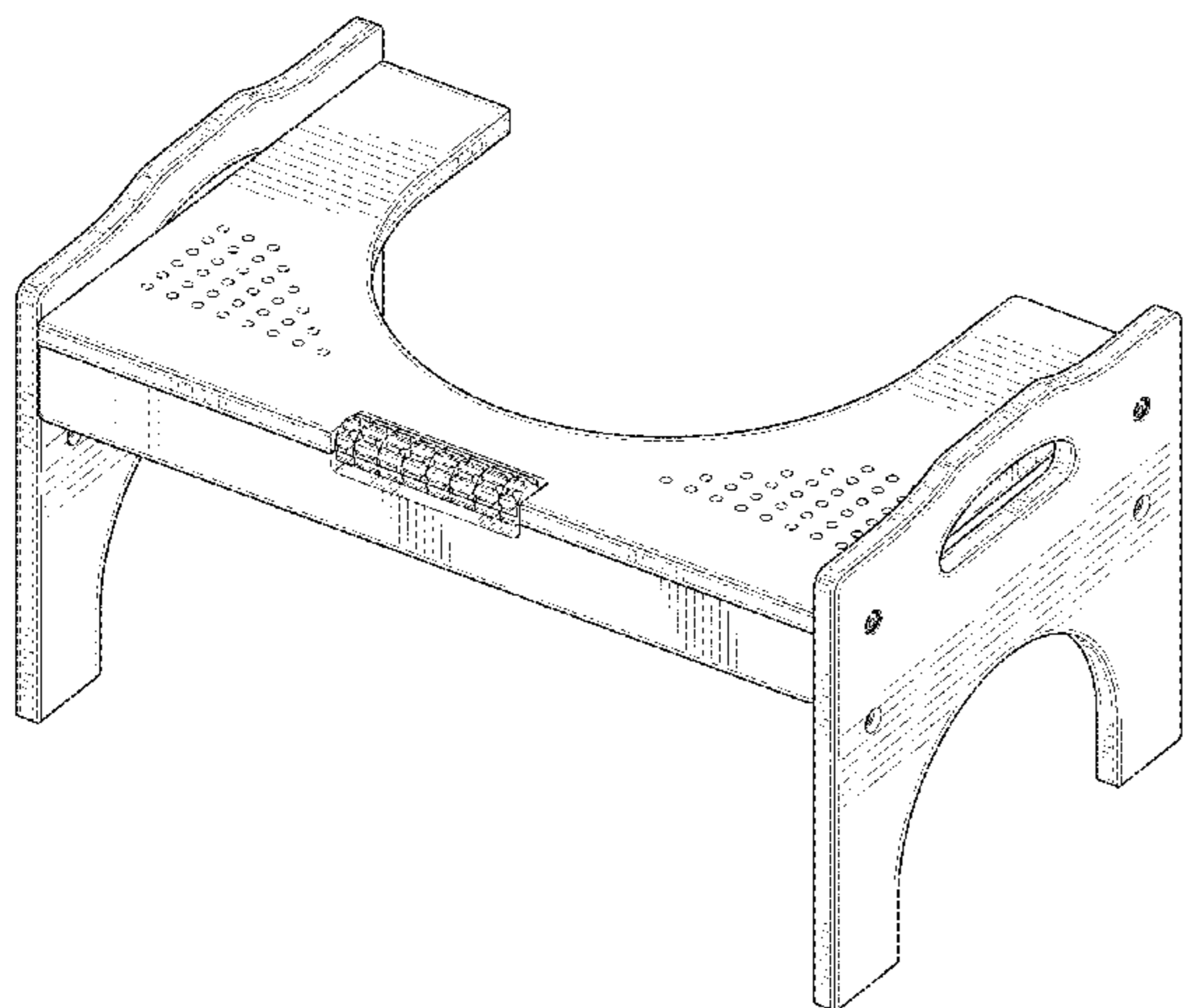
(57) **CLAIM**

The ornamental design for a toilet stool, as shown and described.

DESCRIPTION

FIG. 1 is a front, right perspective view of a toilet stool showing my new design;
 FIG. 2 is a front view thereof;
 FIG. 3 is a back view thereof;
 FIG. 4 is a left side view thereof;
 FIG. 5 is a right side view thereof;
 FIG. 6 is a top plan view thereof;
 FIG. 7 is a bottom plan view thereof;
 FIG. 8 is a front, right perspective view of the toilet stool in an alternate configuration, where the platform is lowered;
 FIG. 9 is a front view thereof;
 FIG. 10 is a back view thereof;
 FIG. 11 is a left side elevation view thereof;
 FIG. 12 is a right side view thereof;
 FIG. 13 is a top plan view thereof;
 FIG. 14 is a bottom plan view thereof;
 FIG. 15 is a front, right perspective view of the platform of the toilet stool, shown separately for ease of illustration;
 FIG. 16 is a front side view thereof;
 FIG. 17 is a rear side view thereof;
 FIG. 18 is a right side view thereof;
 FIG. 19 is a left side view thereof;
 FIG. 20 is a top plan view thereof; and,
 FIG. 21 is a bottom plan view thereof.

1 Claim, 19 Drawing Sheets



(56)

References Cited

U.S. PATENT DOCUMENTS

D787,846 S * 5/2017 Naik D6/353
D797,466 S * 9/2017 Zioni D6/353
D802,311 S * 11/2017 Stricklin D6/349
2014/0123376 A1 * 5/2014 Edwards A47K 17/028
4/254

OTHER PUBLICATIONS

Bamboo Toilet Stool for Healthy Squatting Position. [online]
Retrieved Dec. 8, 2017 from URL: [https://toilettreeproducts.com/
product/adjustable-bamboo-toilet-stool/](https://toilettreeproducts.com/product/adjustable-bamboo-toilet-stool/). *
<<http://zjhyhexing.en.alibaba.com/>> Nov. 18, 2015.
“Results of Search in U.S. Patent Collection db for: TTL/toilet and
TTL/stool. 41 patents.” Sep. 16, 2016.

* cited by examiner

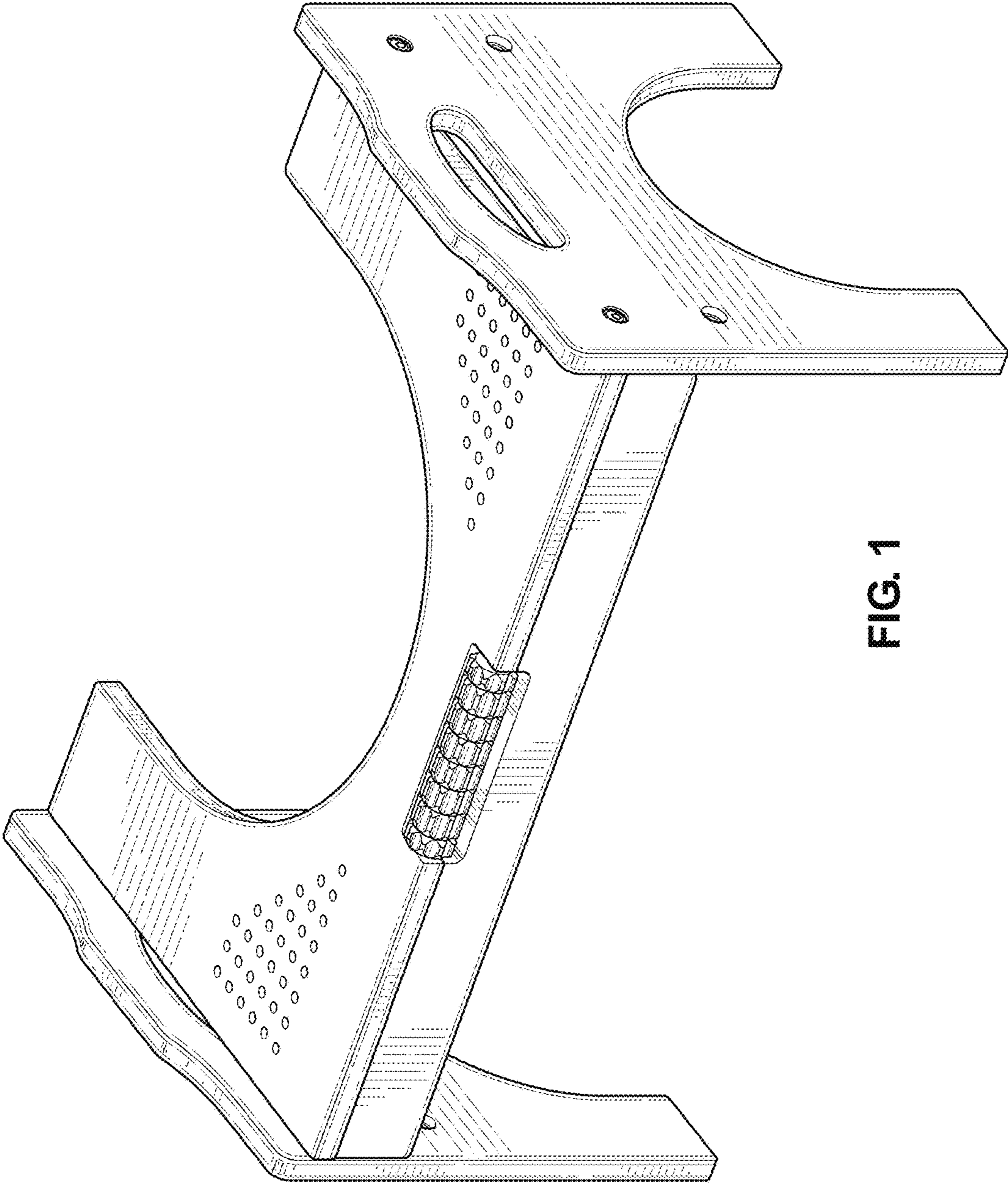


FIG. 1

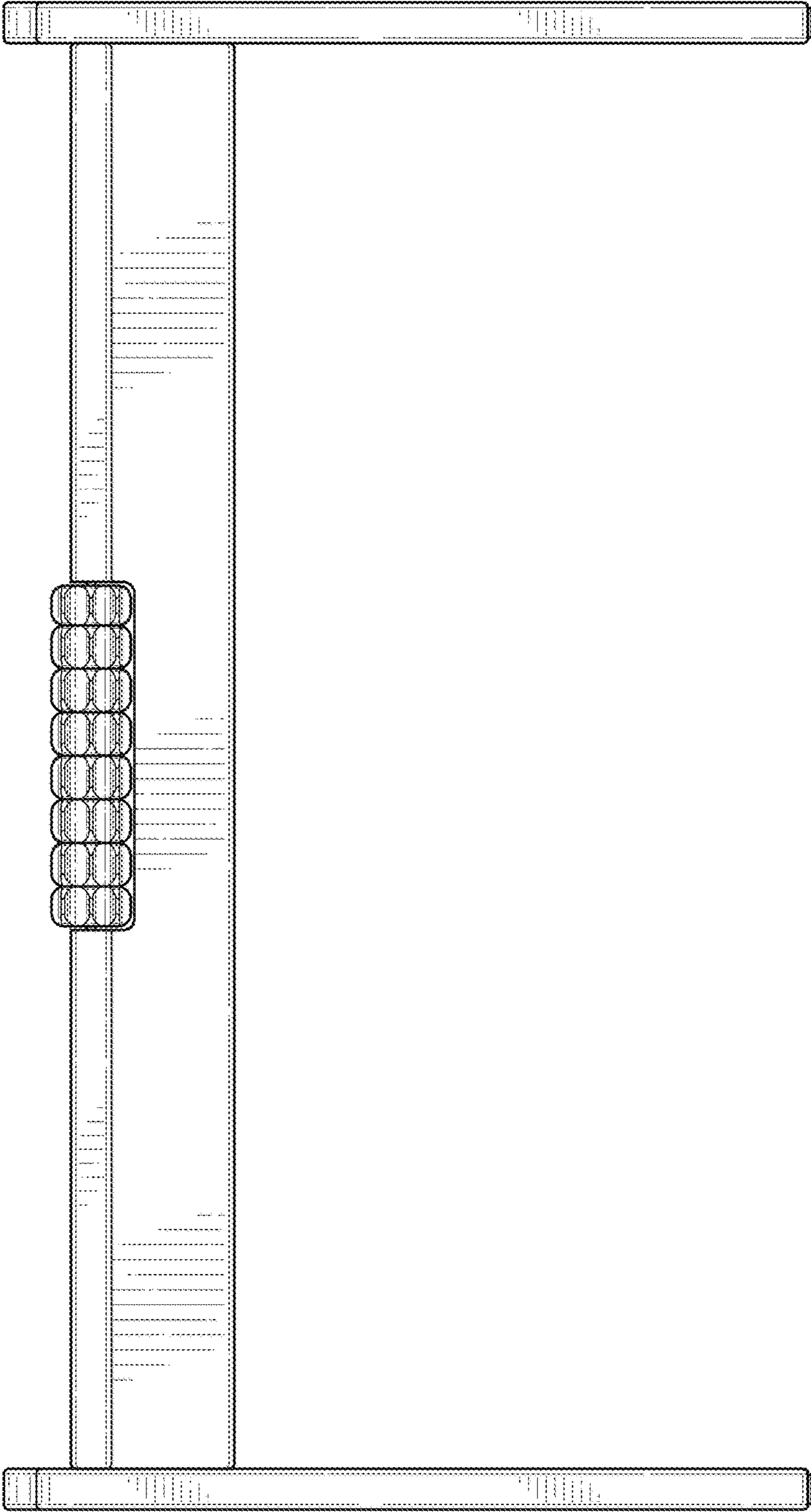


FIG. 2

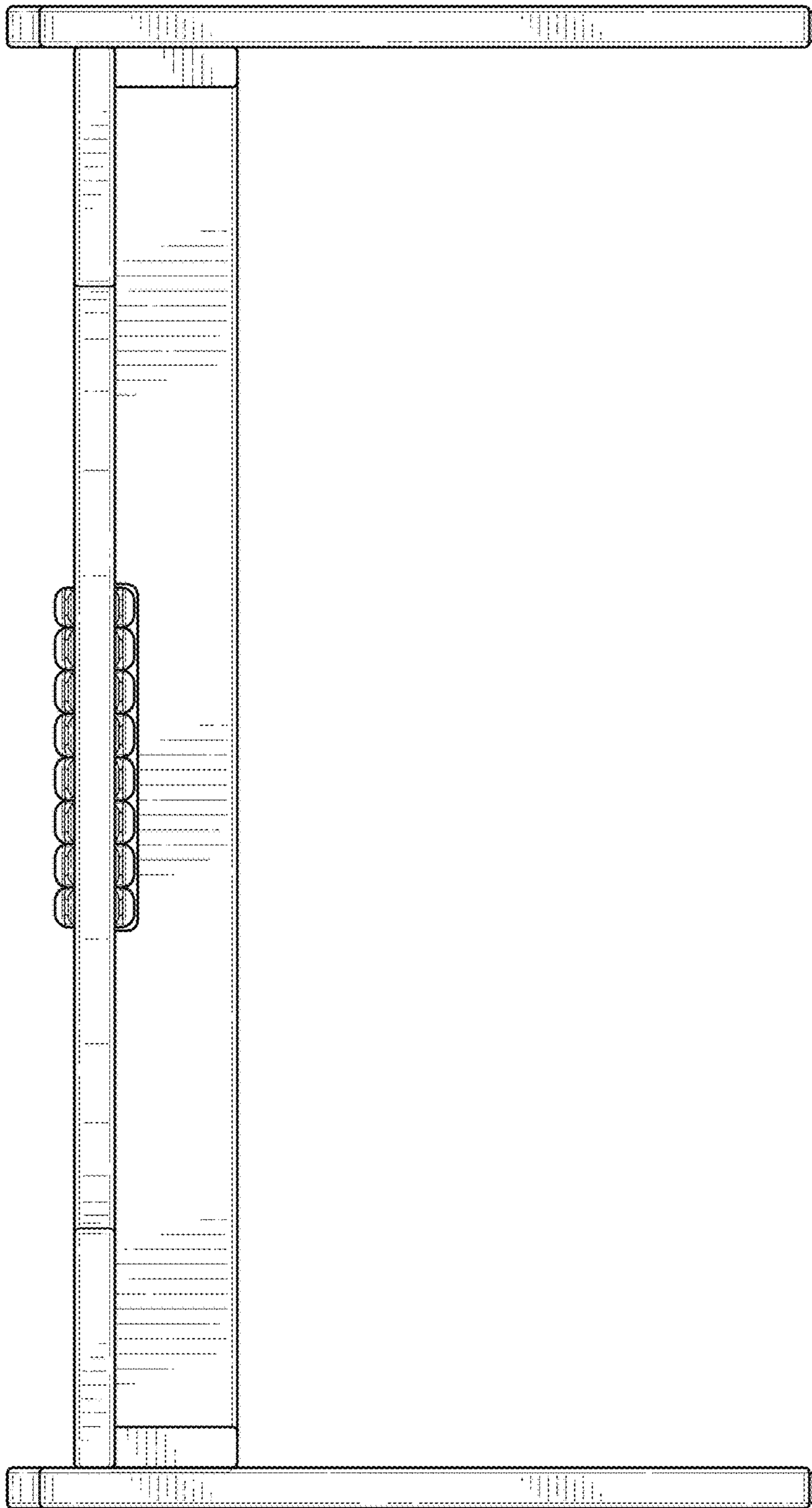


FIG. 3

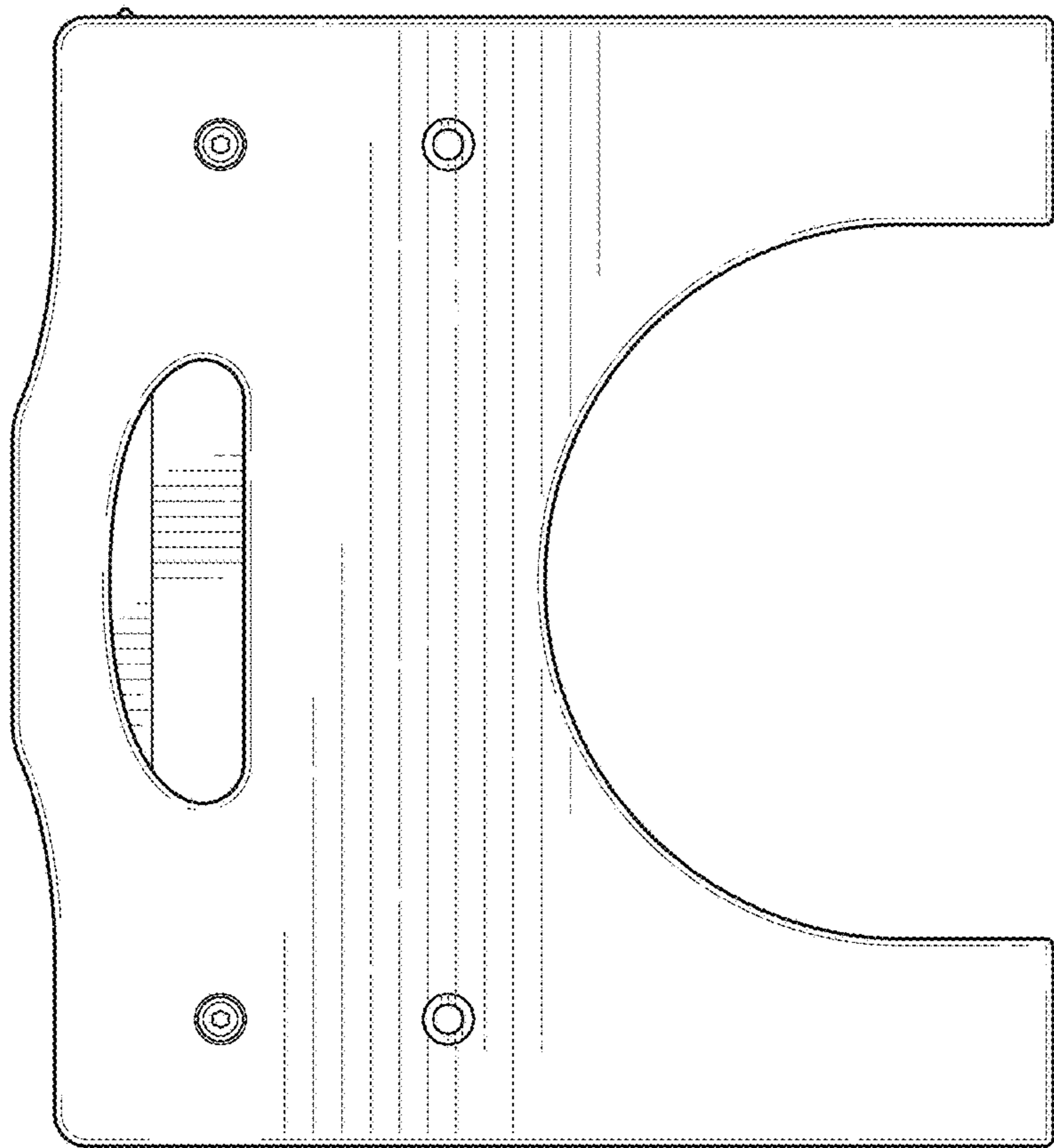


FIG. 4

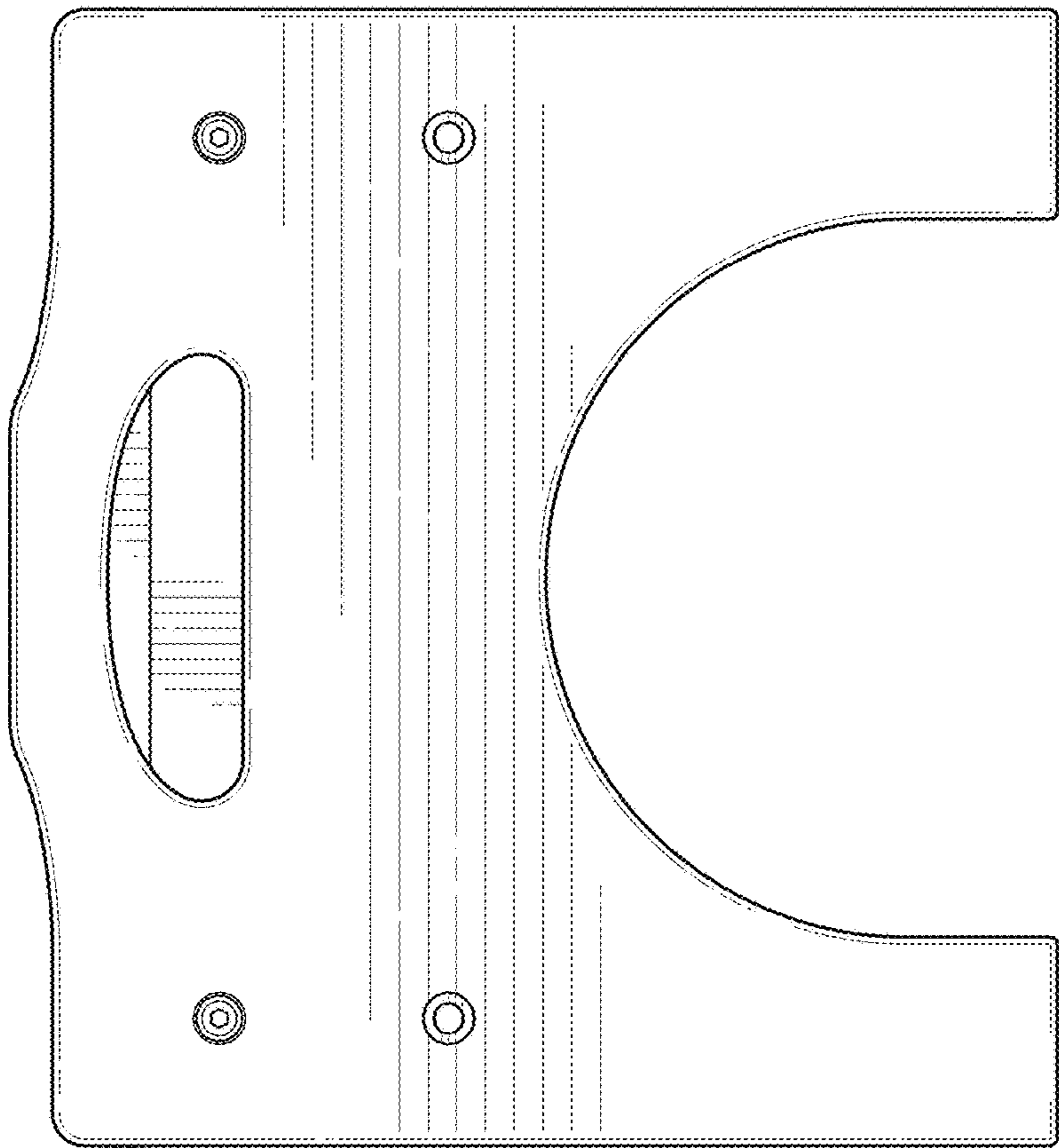


FIG. 5

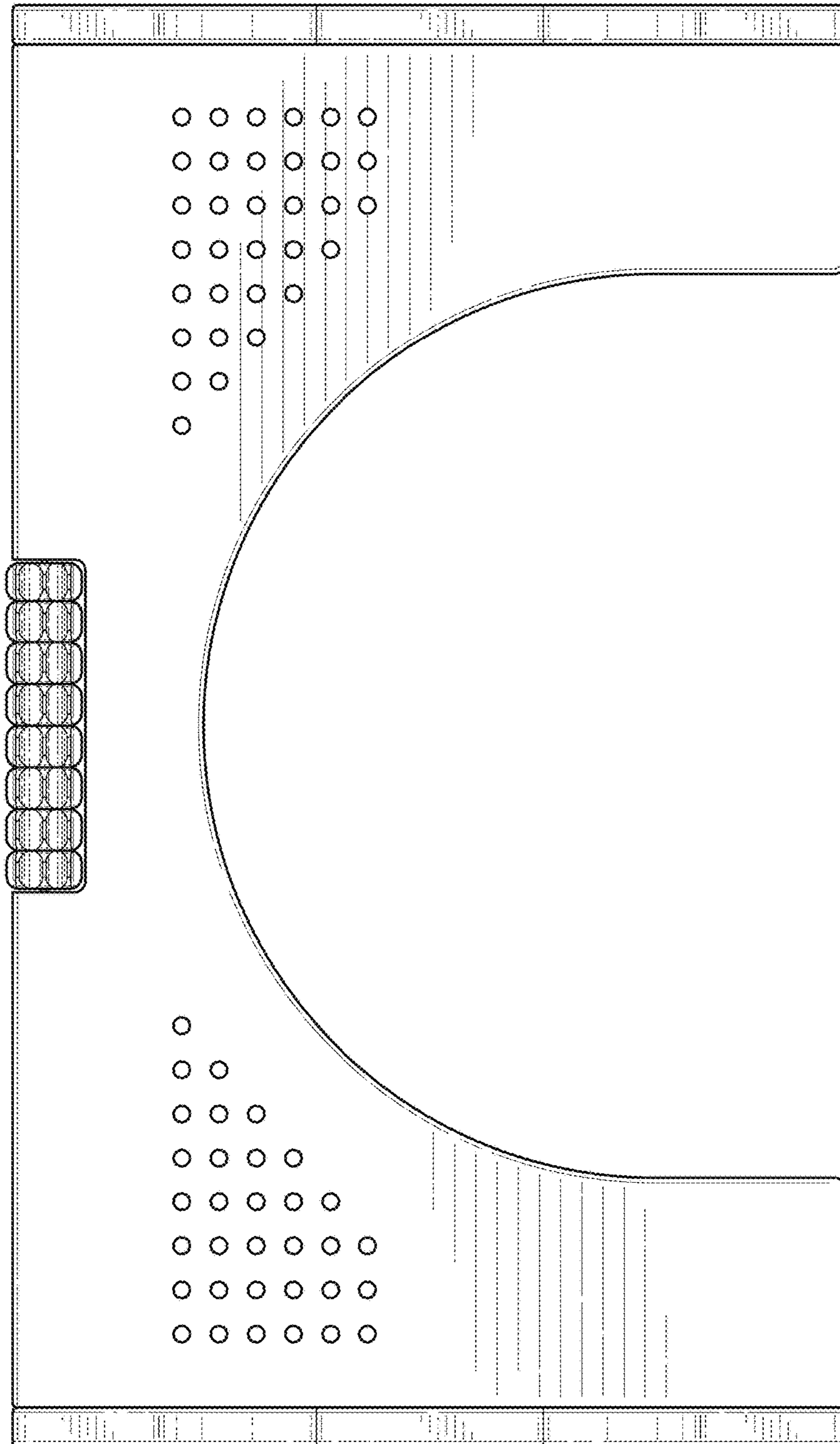


FIG. 6

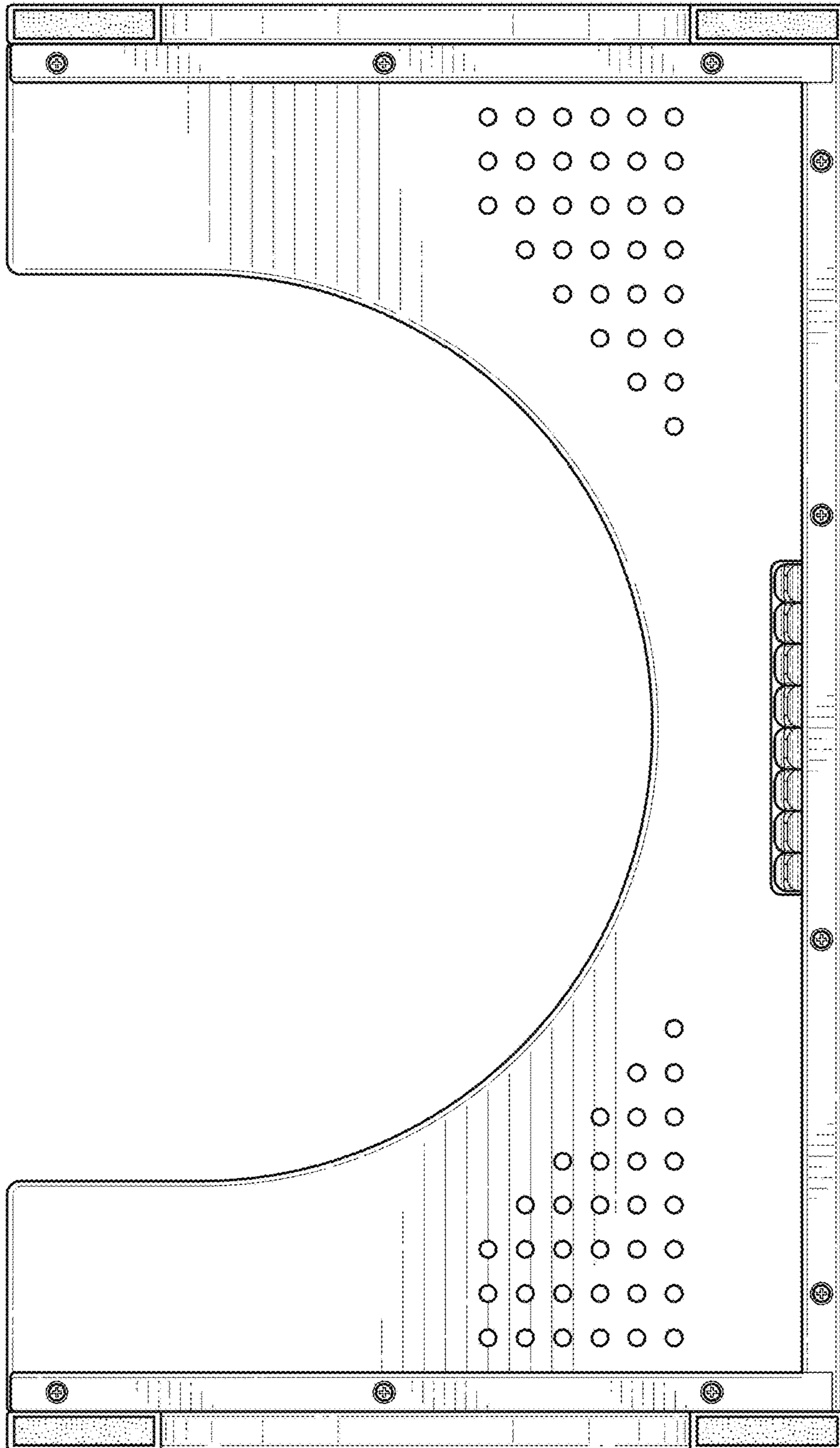


FIG. 7

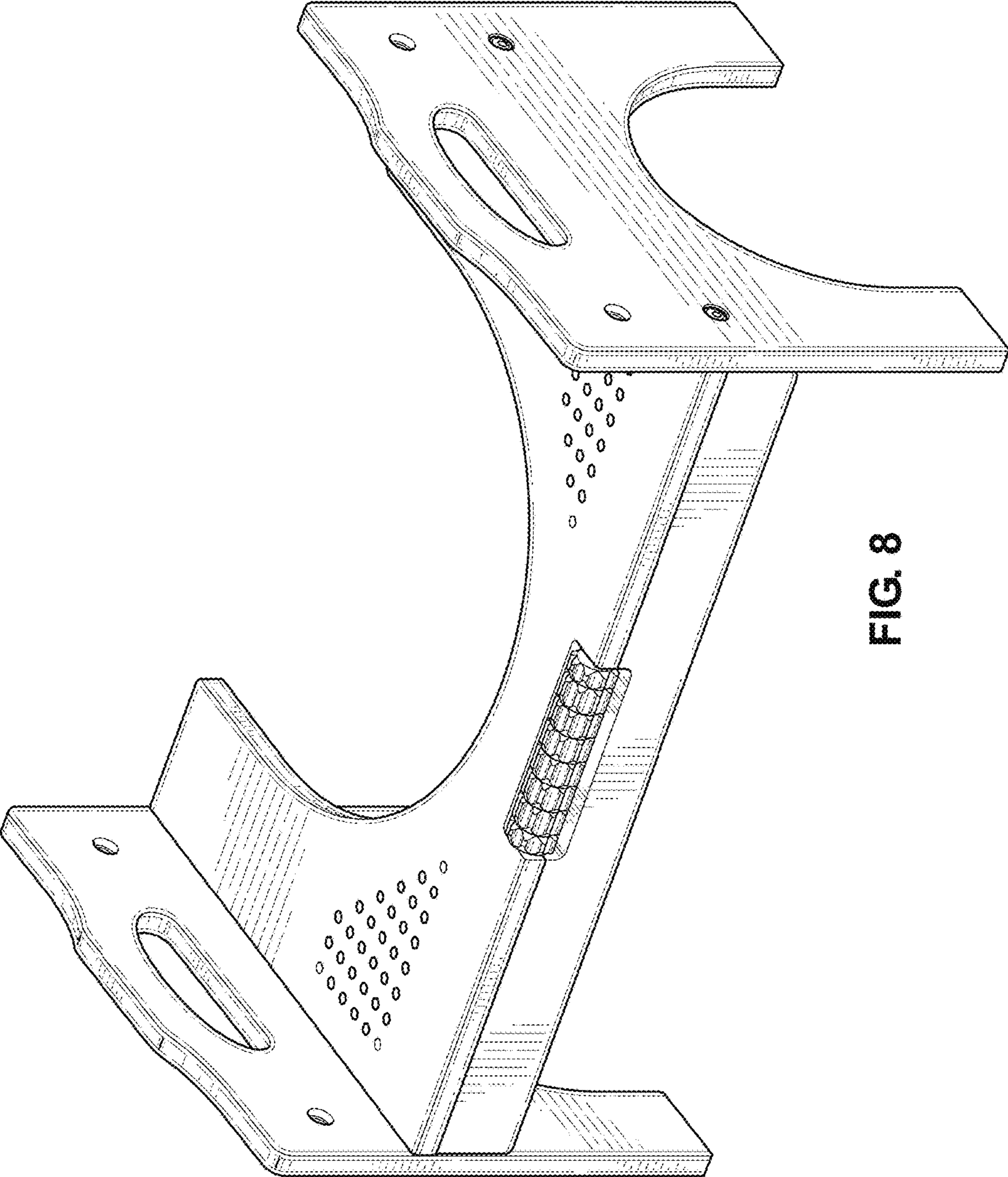


FIG. 8

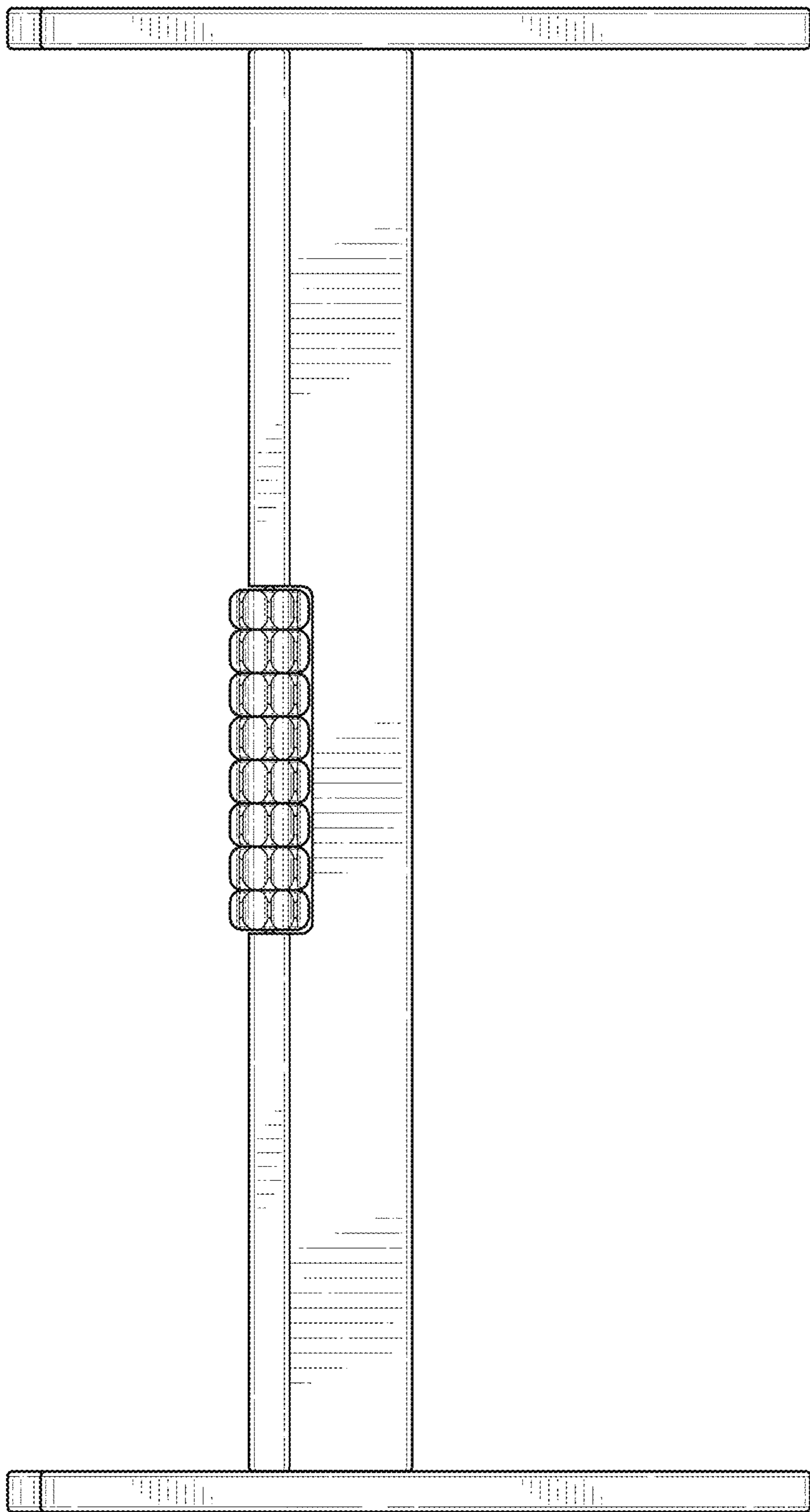


FIG. 9

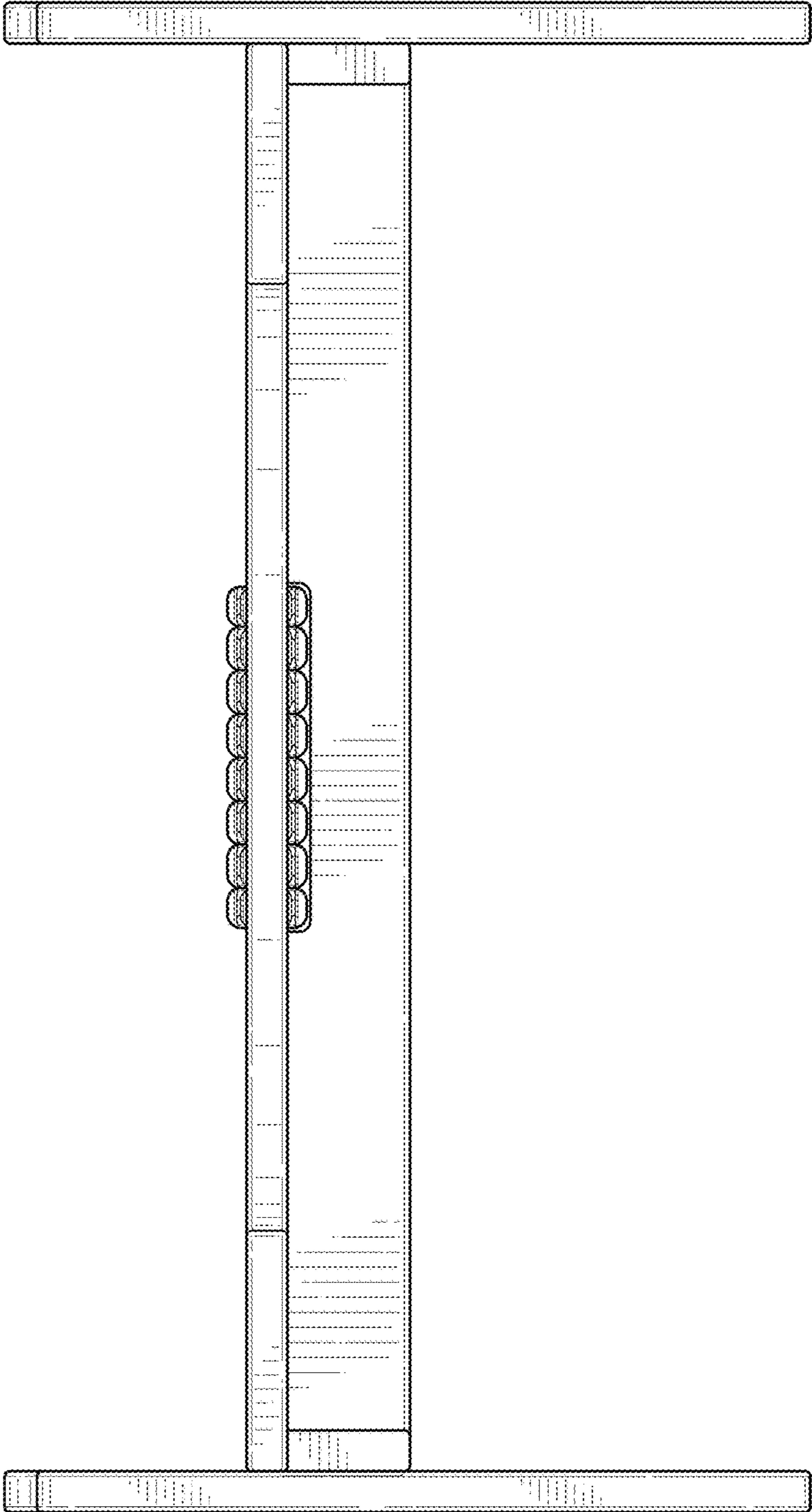


FIG. 10

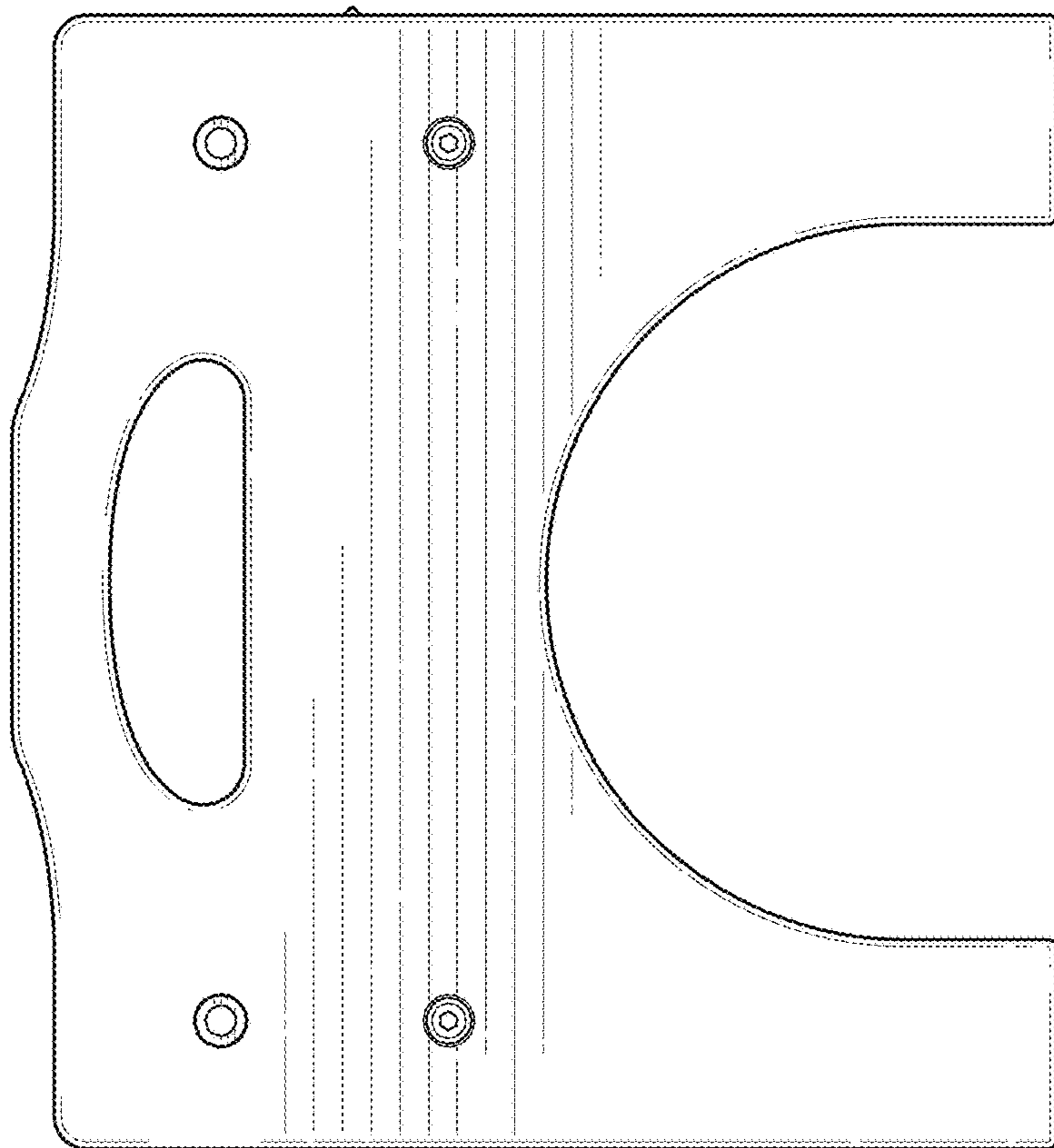


FIG. 11

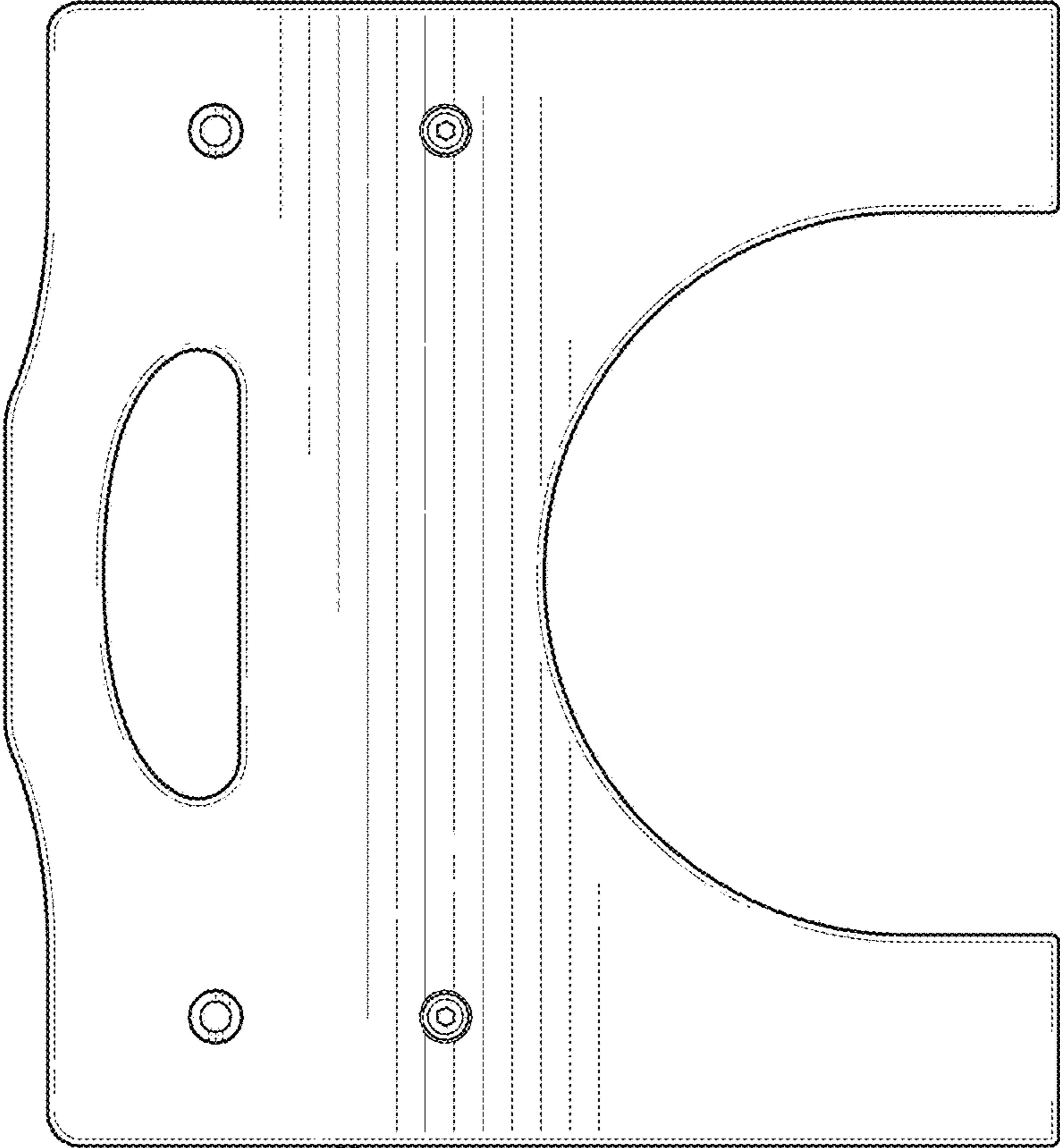


FIG. 12

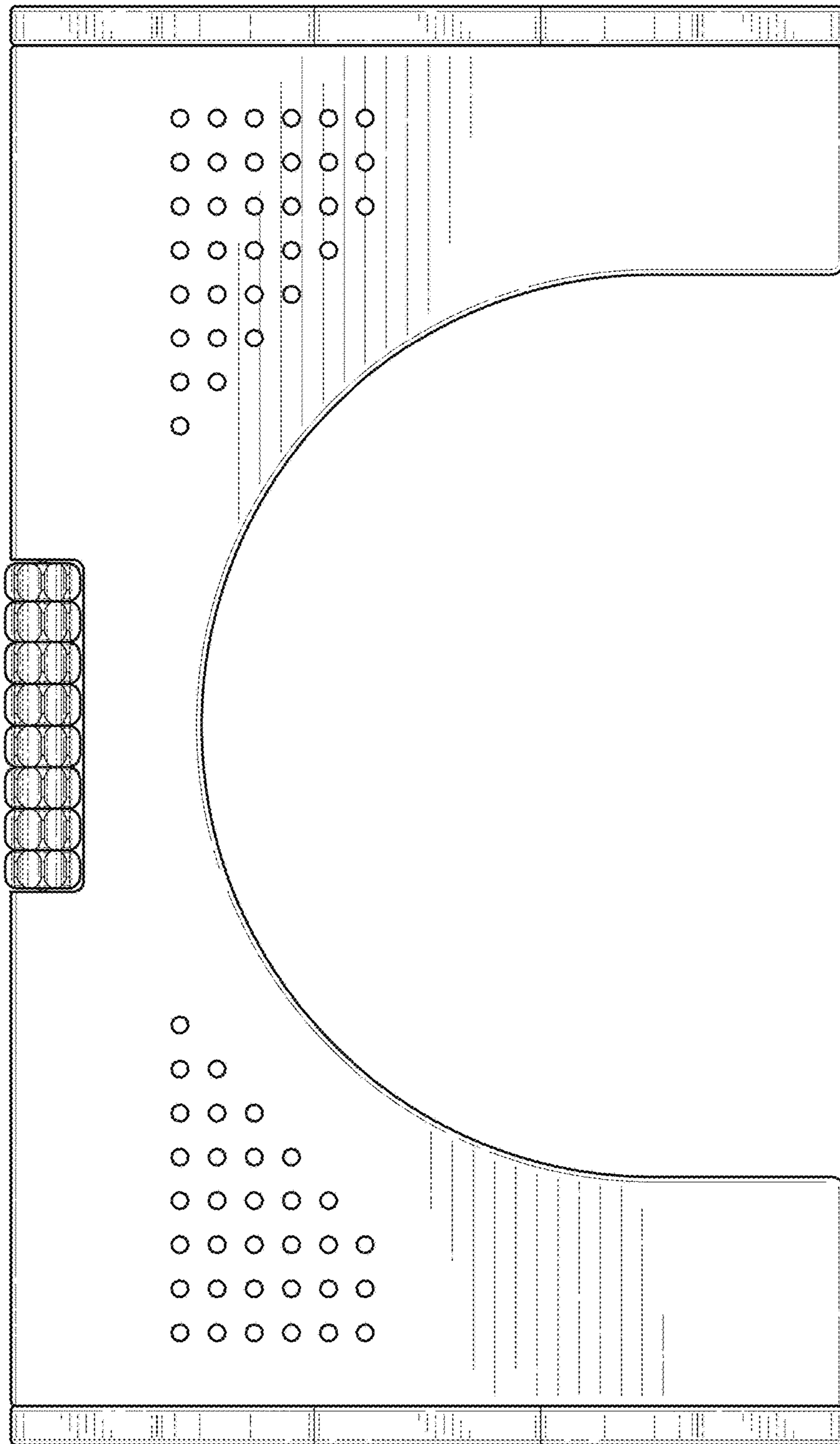


FIG. 13

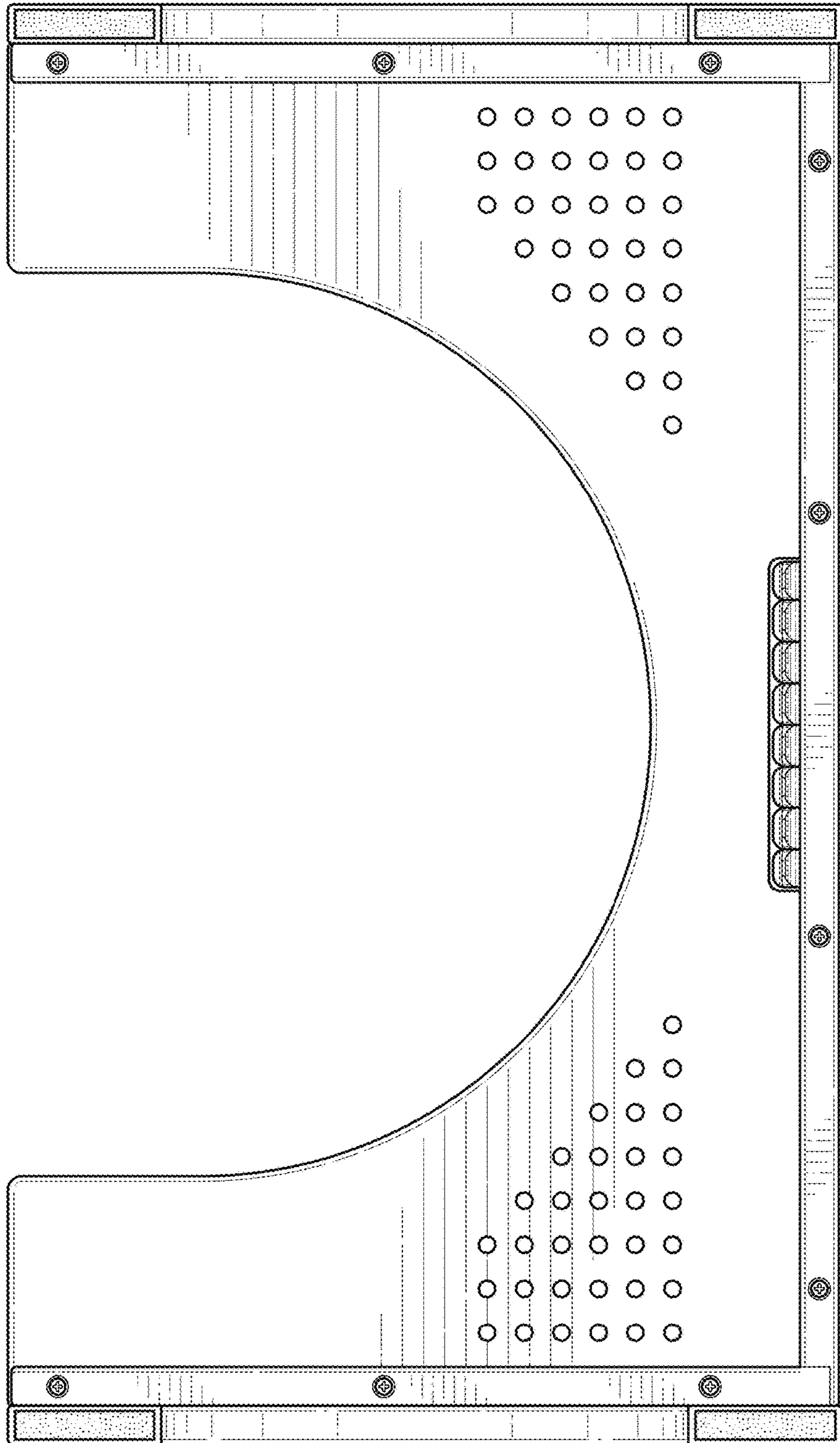


FIG. 14

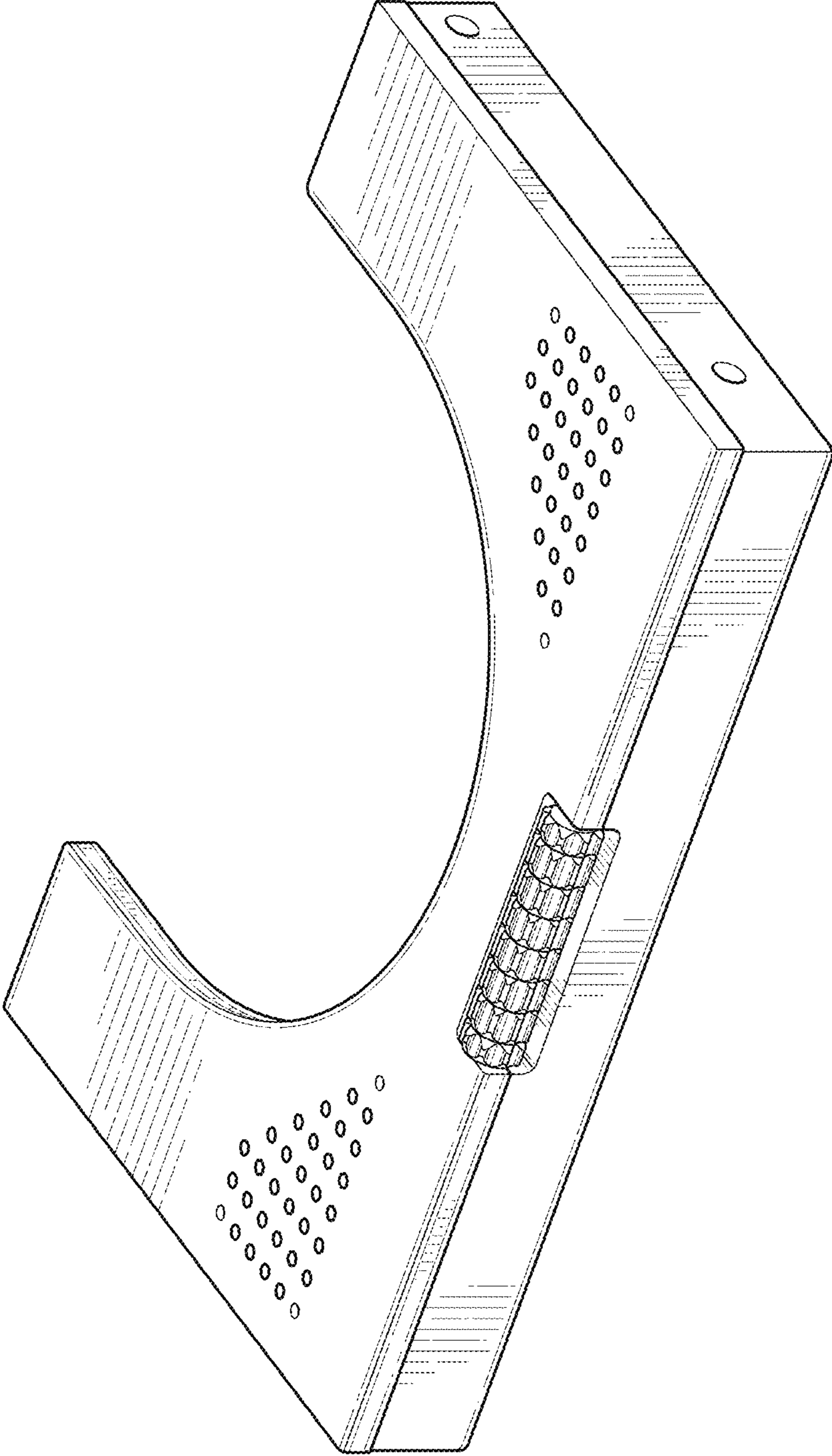


FIG. 15

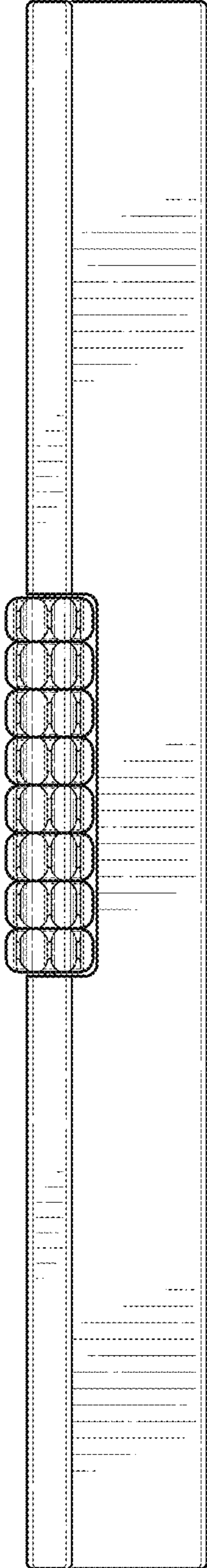


FIG. 16

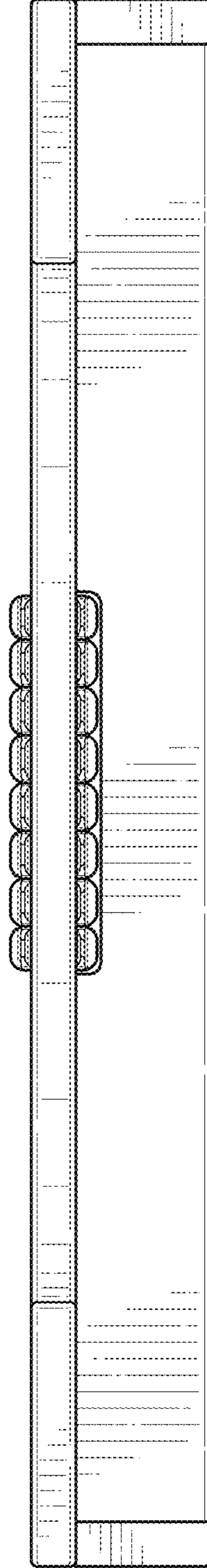


FIG. 17

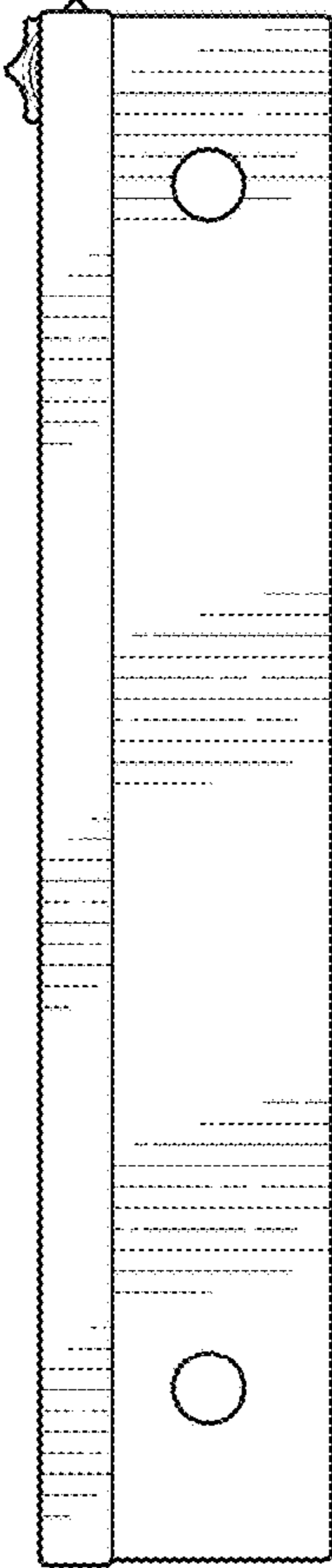


FIG. 18

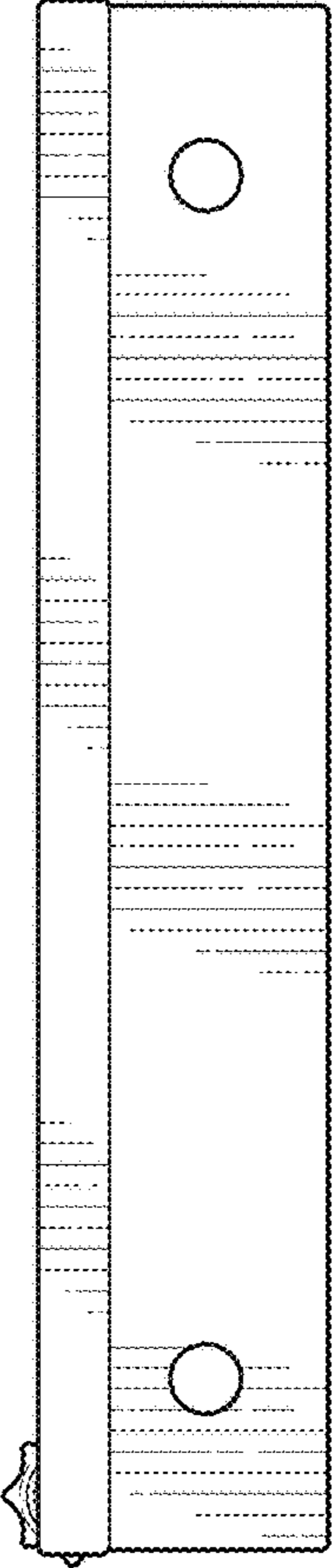


FIG. 19

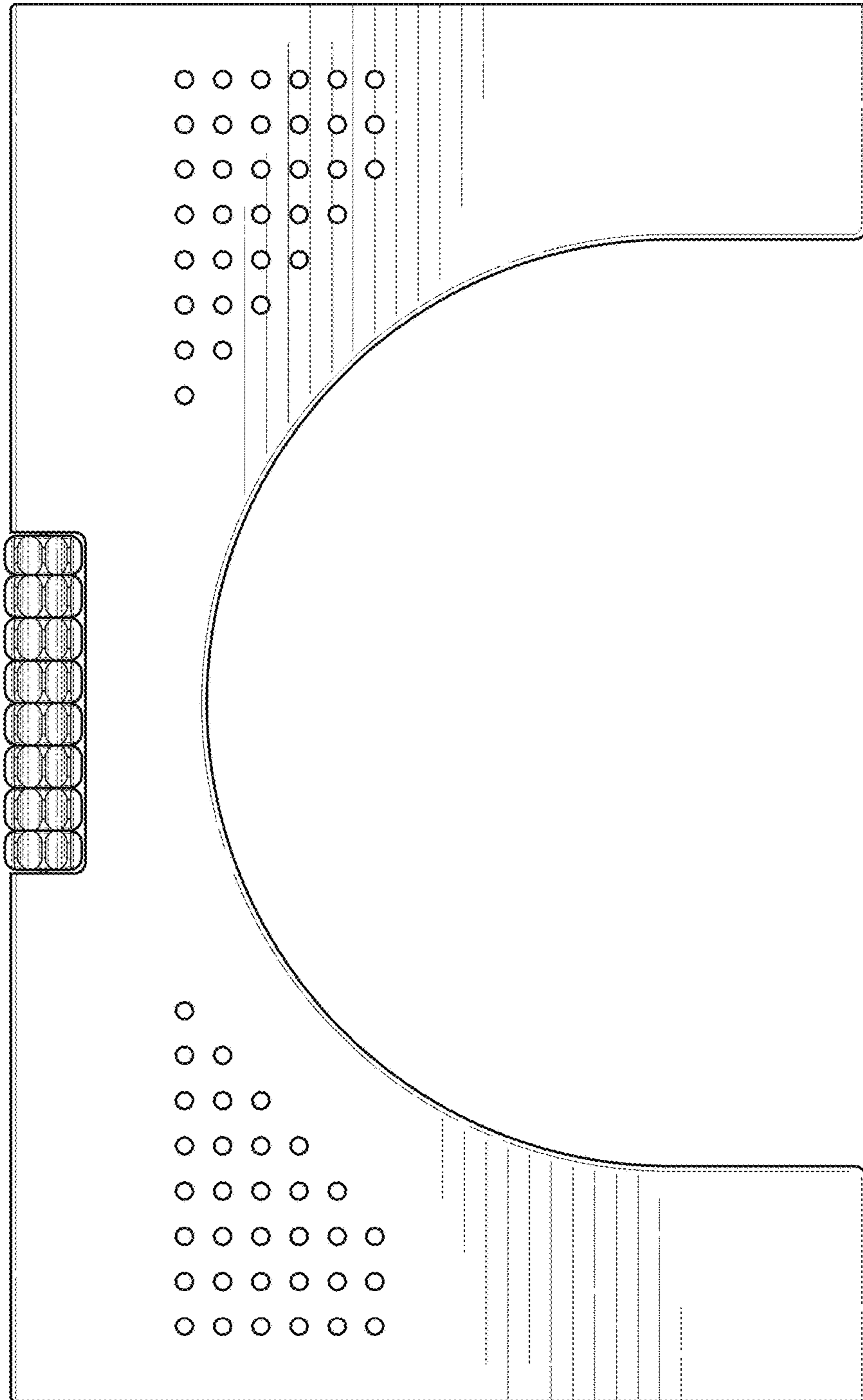


FIG. 20

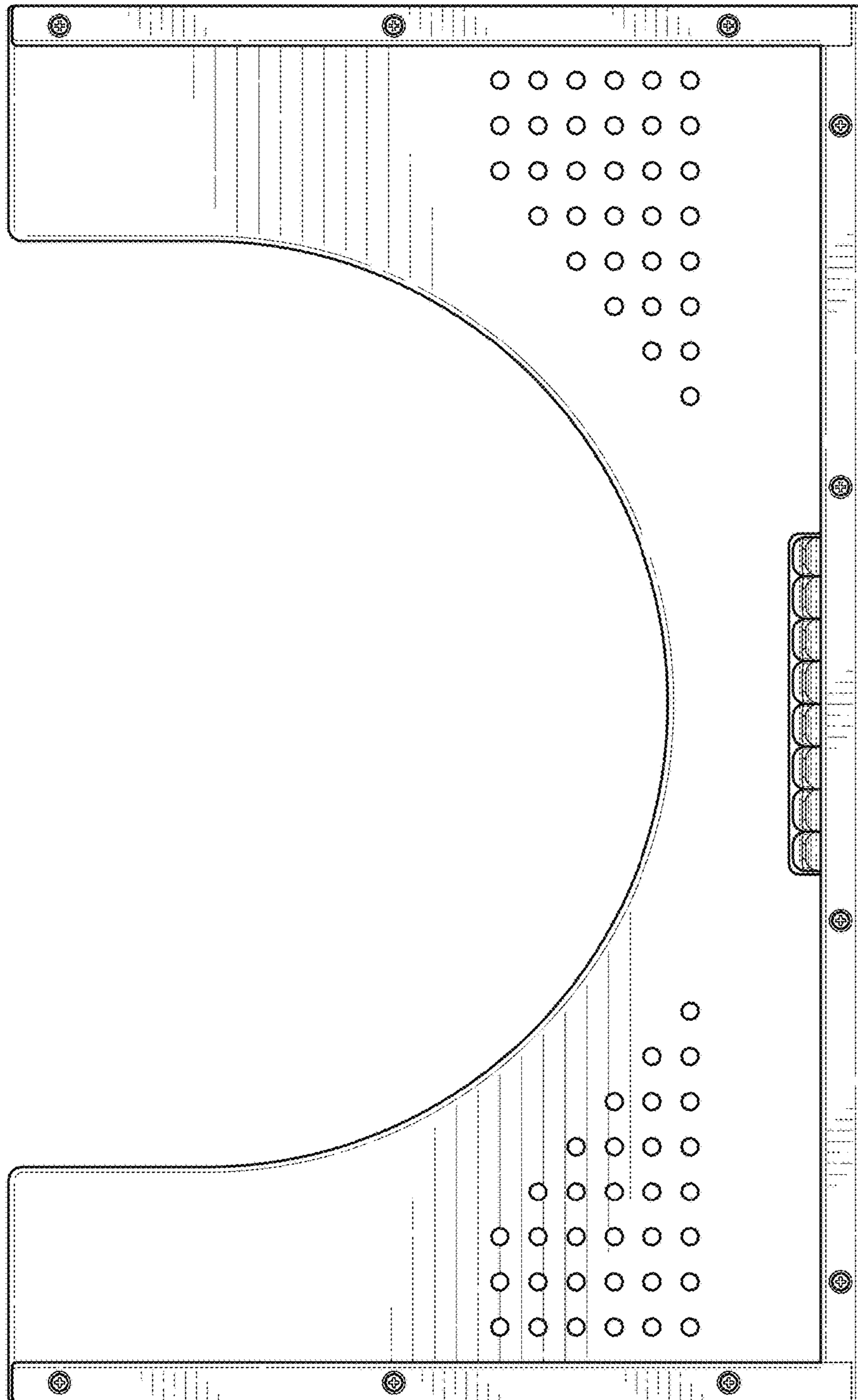


FIG. 21