



US00D813559S

(12) **United States Design Patent**
Prine, III

(10) **Patent No.:** **US D813,559 S**
(45) **Date of Patent:** **** Mar. 27, 2018**

- (54) **PICNIC TABLE**
- (71) Applicant: **George E. Prine, III**, Minneapolis, MN (US)
- (72) Inventor: **George E. Prine, III**, Minneapolis, MN (US)
- (**) Term: **15 Years**
- (21) Appl. No.: **29/595,692**
- (22) Filed: **Mar. 1, 2017**
- (51) **LOC (11) Cl.** **06-01**
- (52) **U.S. Cl.**
USPC **D6/337**
- (58) **Field of Classification Search**
USPC D6/337, 642, 663, 671, 677, 686, 687, D6/690, 691, 691.1, 691.2, 691.3, 691.4, D6/691.5, 693, 689, 691.9, 695, 695.2
CPC A47B 7/00; A47B 13/08; A47B 13/10; A47B 21/00; A47B 2009/006; A47B 11/00; A47B 2200/002; A47B 3/14; A47B 83/02; A47B 37/04
See application file for complete search history.

- D510,823 S * 10/2005 Ng D6/683.1
- D514,356 S * 2/2006 Ng D6/691
- D530,548 S * 10/2006 McCurry D6/708
- D530,942 S * 10/2006 Relling D6/691.8
- D531,429 S * 11/2006 Henschel D6/349
- D554,910 S * 11/2007 Krady D6/690
- D572,504 S * 7/2008 Machin D6/690
- D575,558 S * 8/2008 Garzon D6/691.1
- D596,879 S * 7/2009 Collette D6/655.17
- D609,505 S * 2/2010 Phookan D6/690
- D622,983 S * 9/2010 Juskys D6/691
- D624,337 S * 9/2010 Kapasi D6/690
- D626,359 S * 11/2010 Wills D6/690
- D655,951 S * 3/2012 McCurry D6/708
- D690,543 S * 10/2013 Meissner D6/690
- D718,541 S * 12/2014 Pedersen D6/337
- D784,740 S * 4/2017 Chipperfield D6/337
- D804,203 S * 12/2017 Beldramme D6/349
- 2013/0264848 A1 * 10/2013 Furst A47B 3/14
297/158.4
- 2014/0217954 A1 * 8/2014 Wilde A47B 37/04
320/101

(Continued)

Primary Examiner — Mary Ann Calabrese
Assistant Examiner — Sloan Rozin

(57) **CLAIM**

The ornamental design for a picnic table, as shown and described.

DESCRIPTION

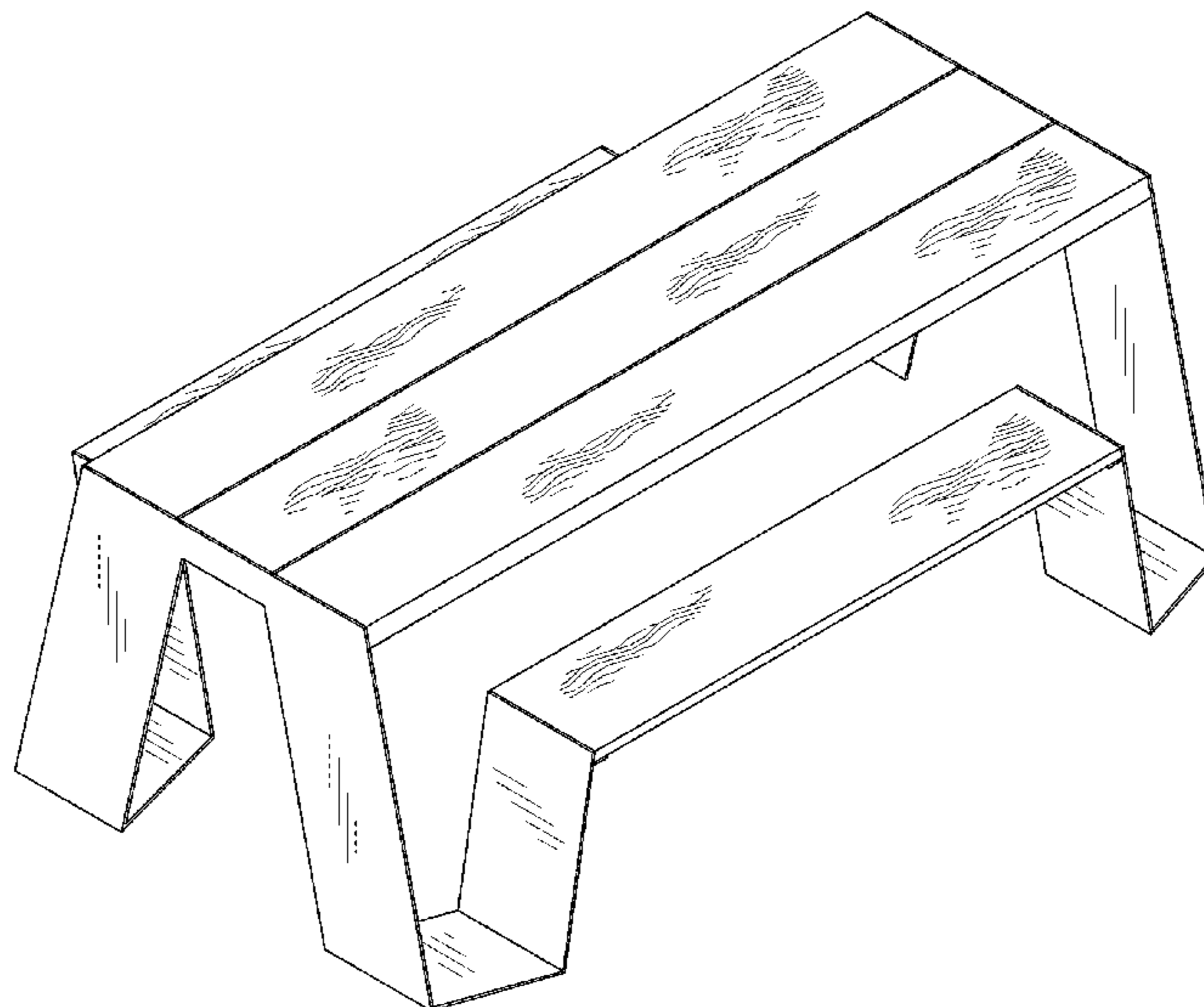
FIG. 1 is a top front side perspective view of a picnic table showing my new design;
FIG. 2 is a bottom front side perspective view of the picnic table;
FIG. 3 is a left side view of the picnic table, a right side view being a mirror image thereof;
FIG. 4 is a front view of the picnic table;
FIG. 5 is a top view of the picnic table; and,
FIG. 6 is a bottom view of the picnic table.

1 Claim, 6 Drawing Sheets

(56) **References Cited**

U.S. PATENT DOCUMENTS

- 2,060,099 A * 11/1936 McNeff A01J 1/00
248/440
- 3,848,544 A * 11/1974 Douglas A47B 3/0917
108/6
- 4,522,443 A * 6/1985 Van Blankenburg .. A47B 83/02
108/158.11
- D315,650 S * 3/1991 Fisher D6/691.8
- D331,852 S * 12/1992 Shimonovite D6/709
- D348,989 S * 7/1994 Pomeroy D6/337
- D387,913 S * 12/1997 Yurk D6/337
- D462,204 S * 9/2002 Ross D6/690
- D476,945 S * 7/2003 Burch D12/421
- D508,803 S * 8/2005 Anderson D6/691



(56)

References Cited

U.S. PATENT DOCUMENTS

2014/0225401 A1* 8/2014 Nellenbach A47B 3/14
297/158.4
2017/0340100 A1* 11/2017 Tsai A47B 3/14

* cited by examiner

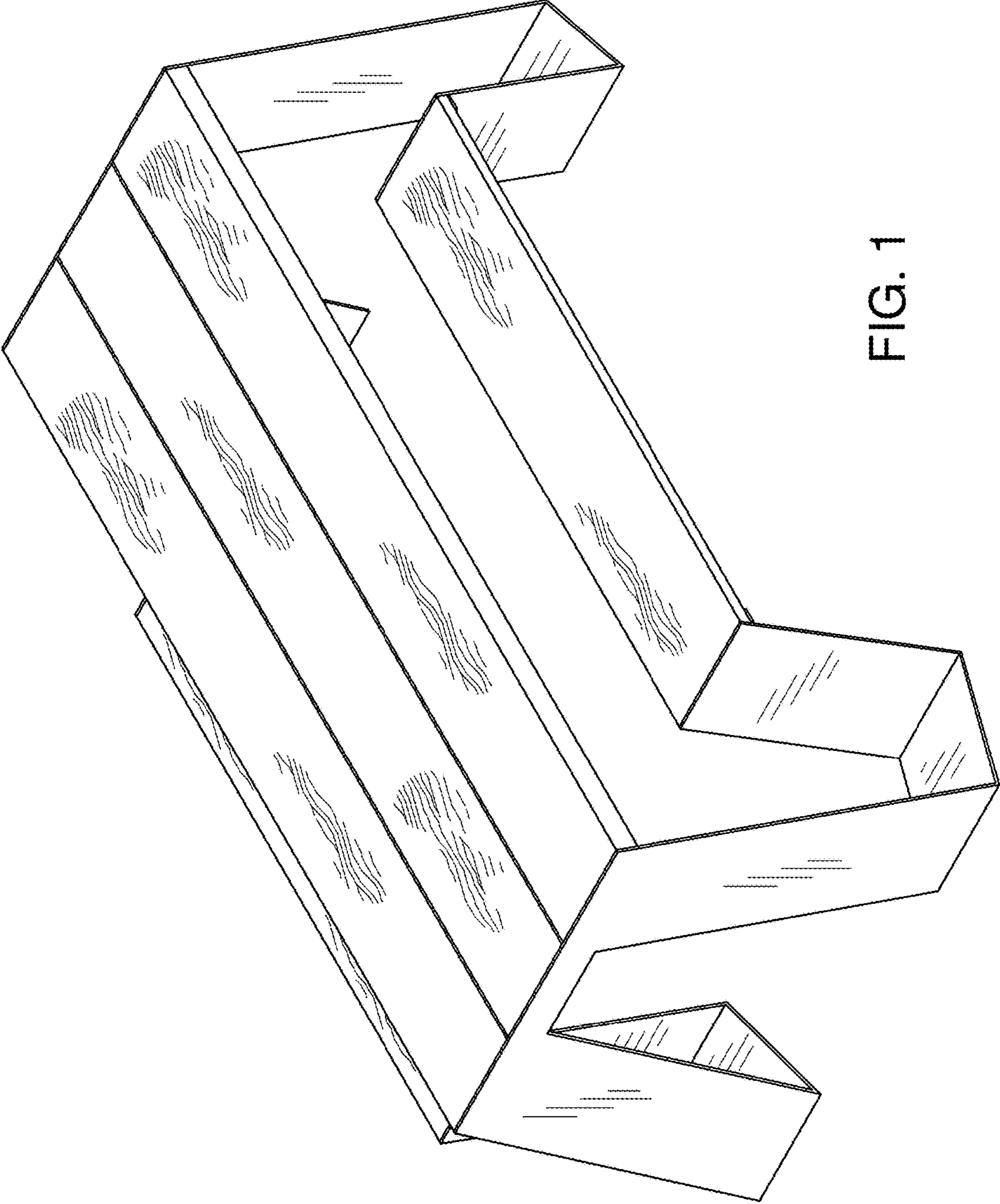


FIG. 1

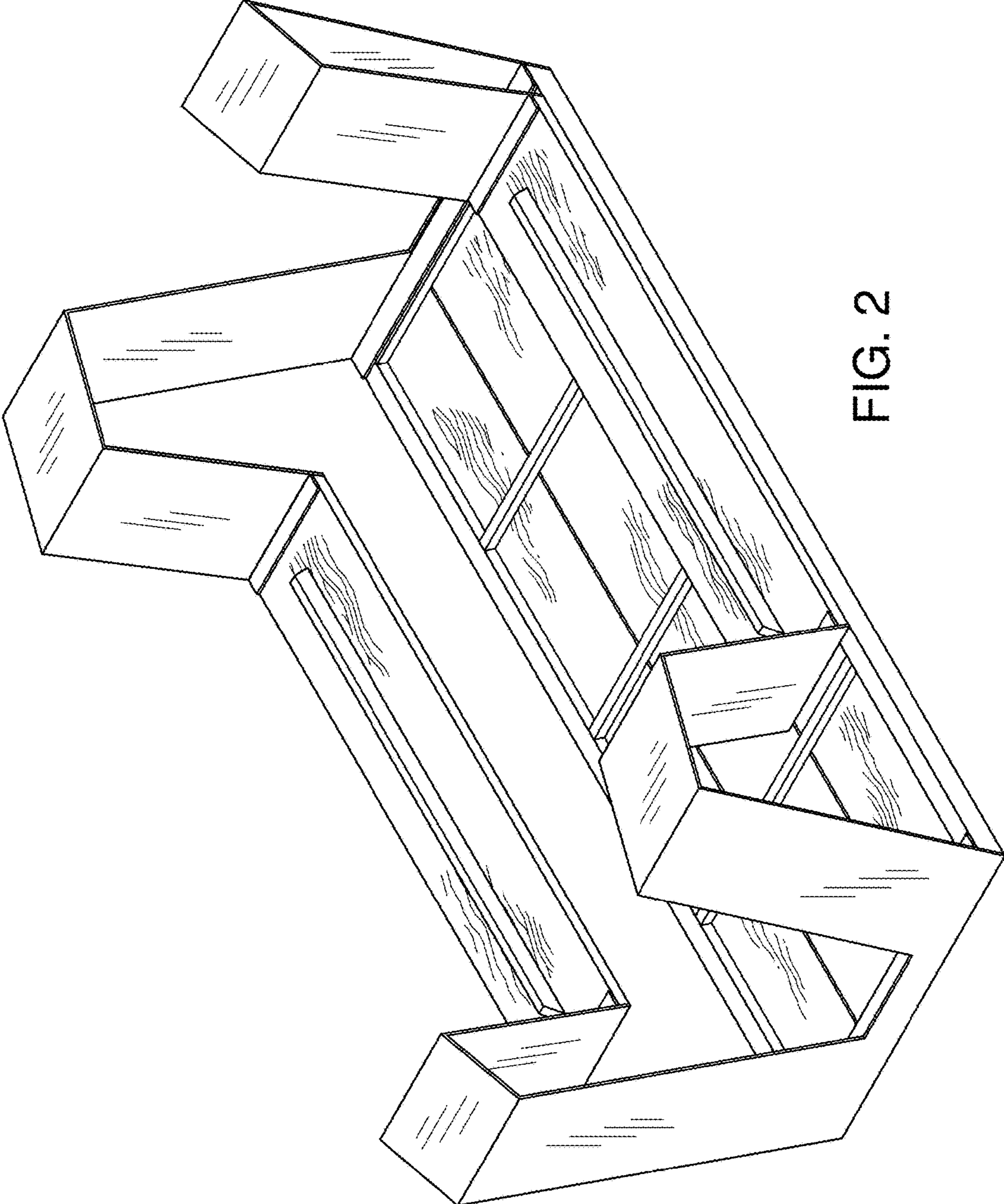


FIG. 2

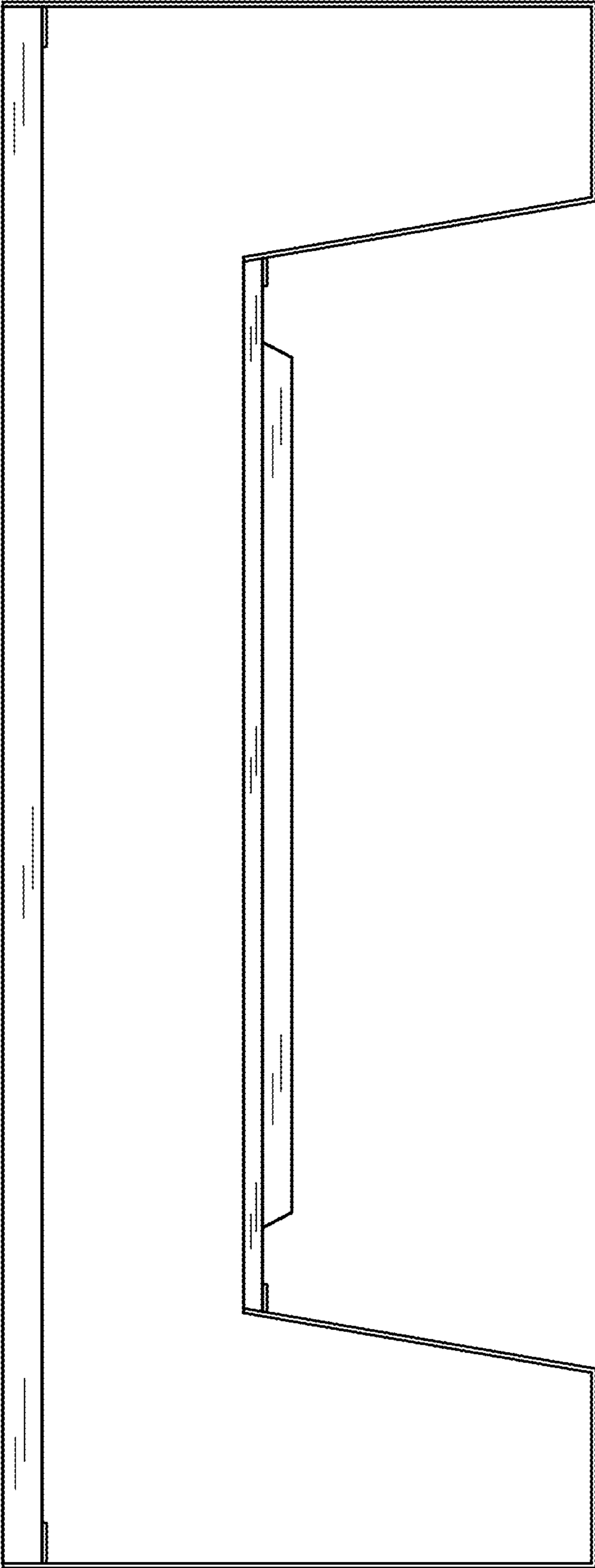


FIG. 3

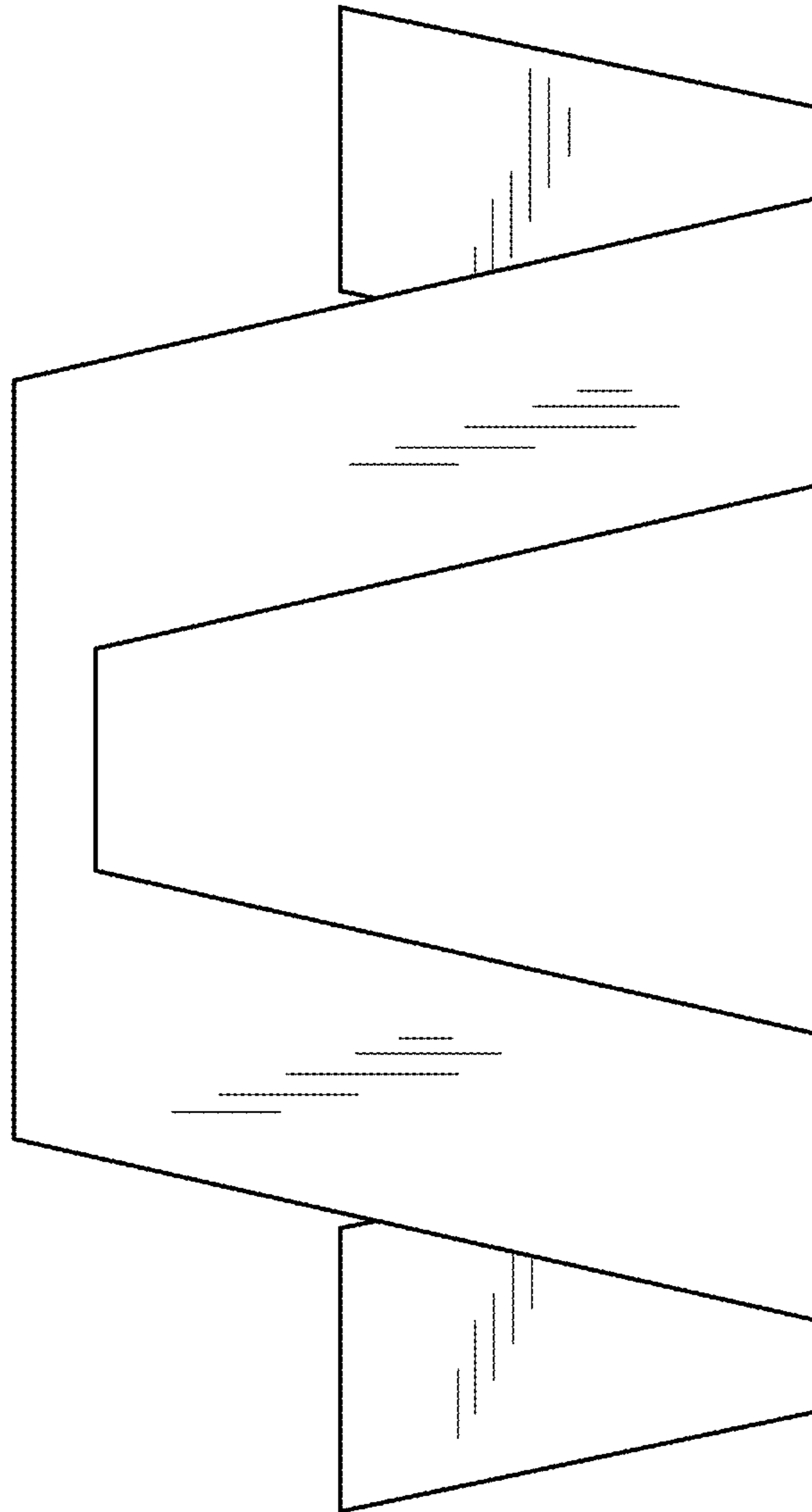


FIG. 4

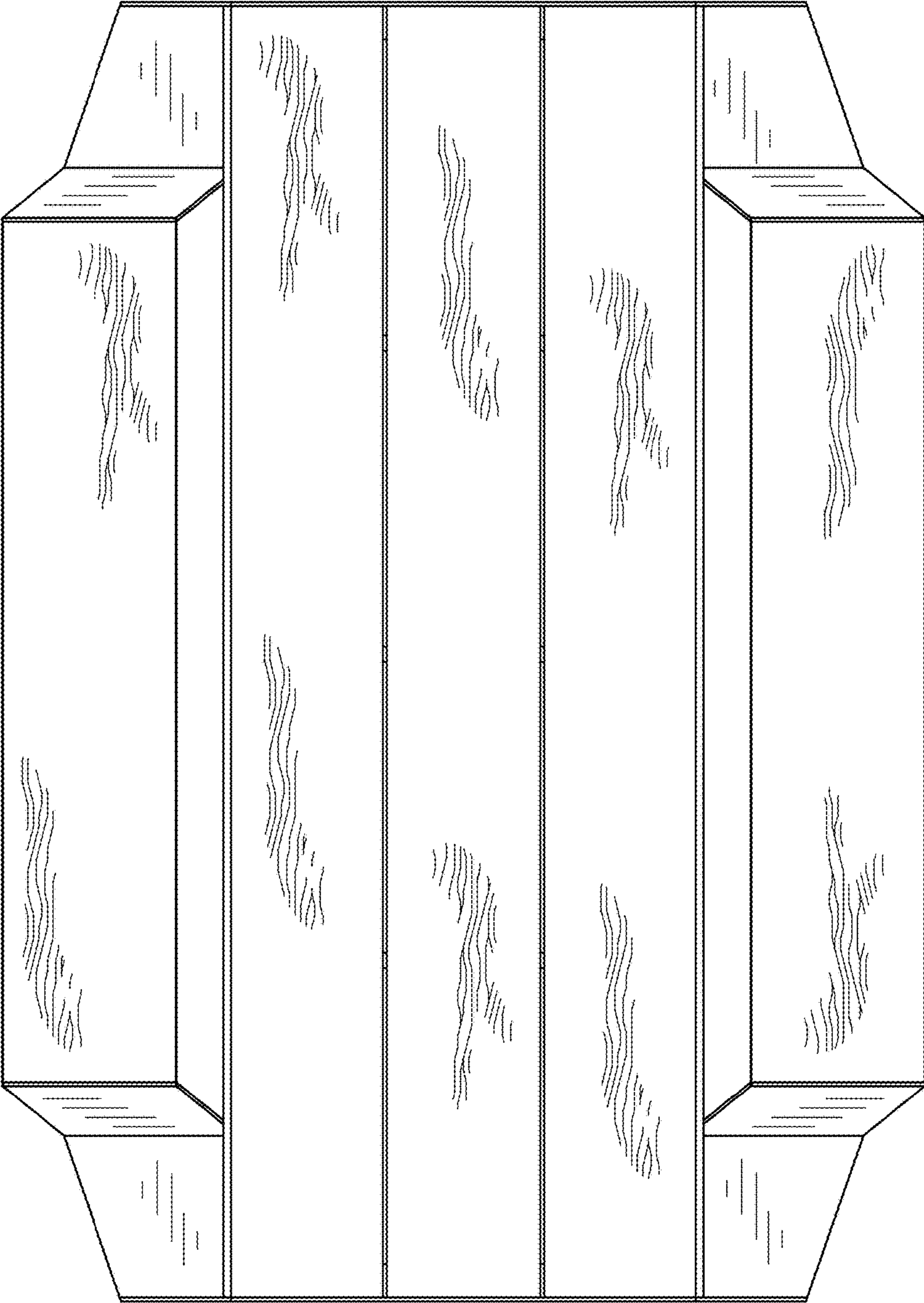


FIG. 5

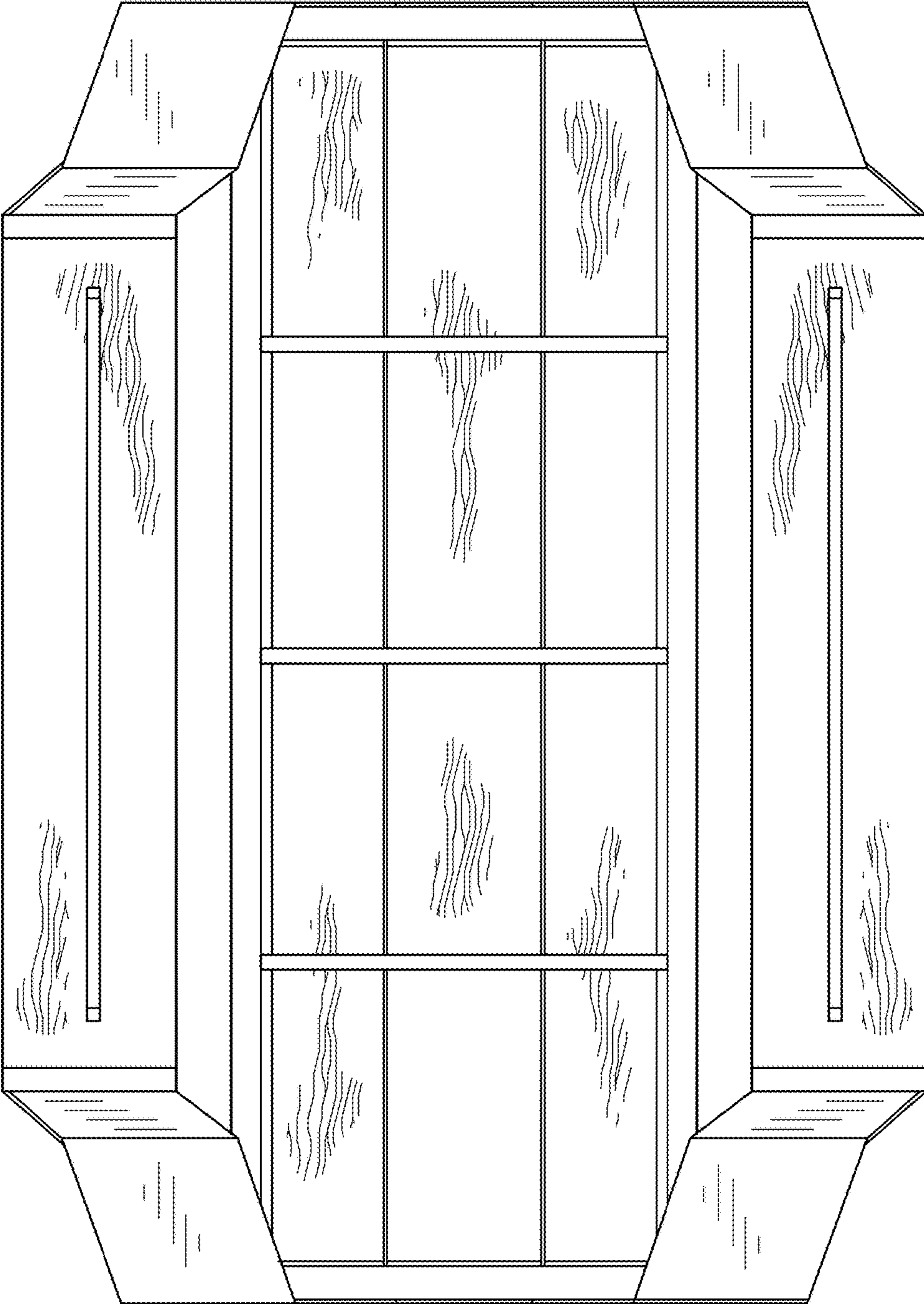


FIG. 6