



US00D813558S

(12) **United States Design Patent**  
**Spencer et al.**

(10) **Patent No.:** **US D813,558 S**  
(45) **Date of Patent:** **\*\* Mar. 27, 2018**

- (54) **BOOSTER SEAT WITH BACK**
- (71) Applicant: **DENTAL COMPONENTS LLC**,  
Newberg, OR (US)
- (72) Inventors: **Jason Spencer**, Newberg, OR (US);  
**Austin Unsworth**, Newberg, OR (US)
- (73) Assignee: **Dental Components LLC**, Newberg,  
OR (US)
- (\*\*) Term: **15 Years**
- (21) Appl. No.: **29/594,619**
- (22) Filed: **Feb. 21, 2017**
- (51) **LOC (11) Cl.** ..... **06-01**
- (52) **U.S. Cl.**  
USPC ..... **D6/333**
- (58) **Field of Classification Search**  
USPC ..... D6/333-336, 339, 344, 702, 716,  
D6/716.1-716.7, 356, 364-366, 372-375;  
297/183.1-183.4, 184.13, 184.15, 184.17,  
297/250.1, 255, 256.1, 256.15, 219.12,  
297/463.1; 601/49, 86, 99, 98; 5/94,  
(Continued)

- (56) **References Cited**  
**U.S. PATENT DOCUMENTS**  
3,729,227 A \* 4/1973 Ohta ..... A61G 15/00  
297/391  
D268,149 S \* 3/1983 Case ..... D6/361  
(Continued)

**OTHER PUBLICATIONS**

“\_1295338.jpg (216x150)” [retrieved Jan. 25, 2017]. Retrieved from the Internet: <URL: [http://www.dentalprogo.com/uploads/6/9/0/8/6908194/\\_1295338.jpg](http://www.dentalprogo.com/uploads/6/9/0/8/6908194/_1295338.jpg)>. 1 page.  
(Continued)

*Primary Examiner* — Abraham Bahta  
(74) *Attorney, Agent, or Firm* — Alston & Bird LLP

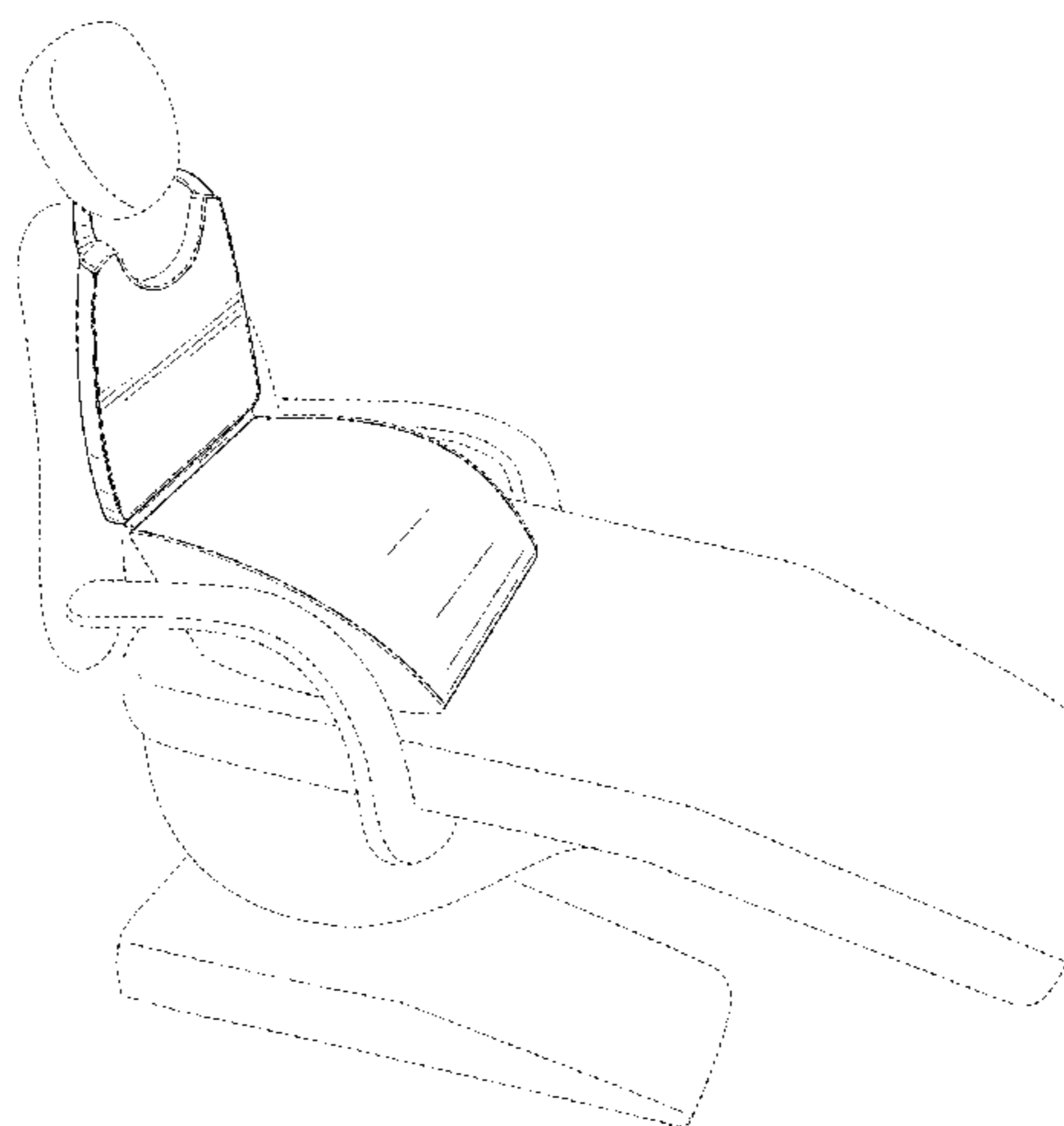
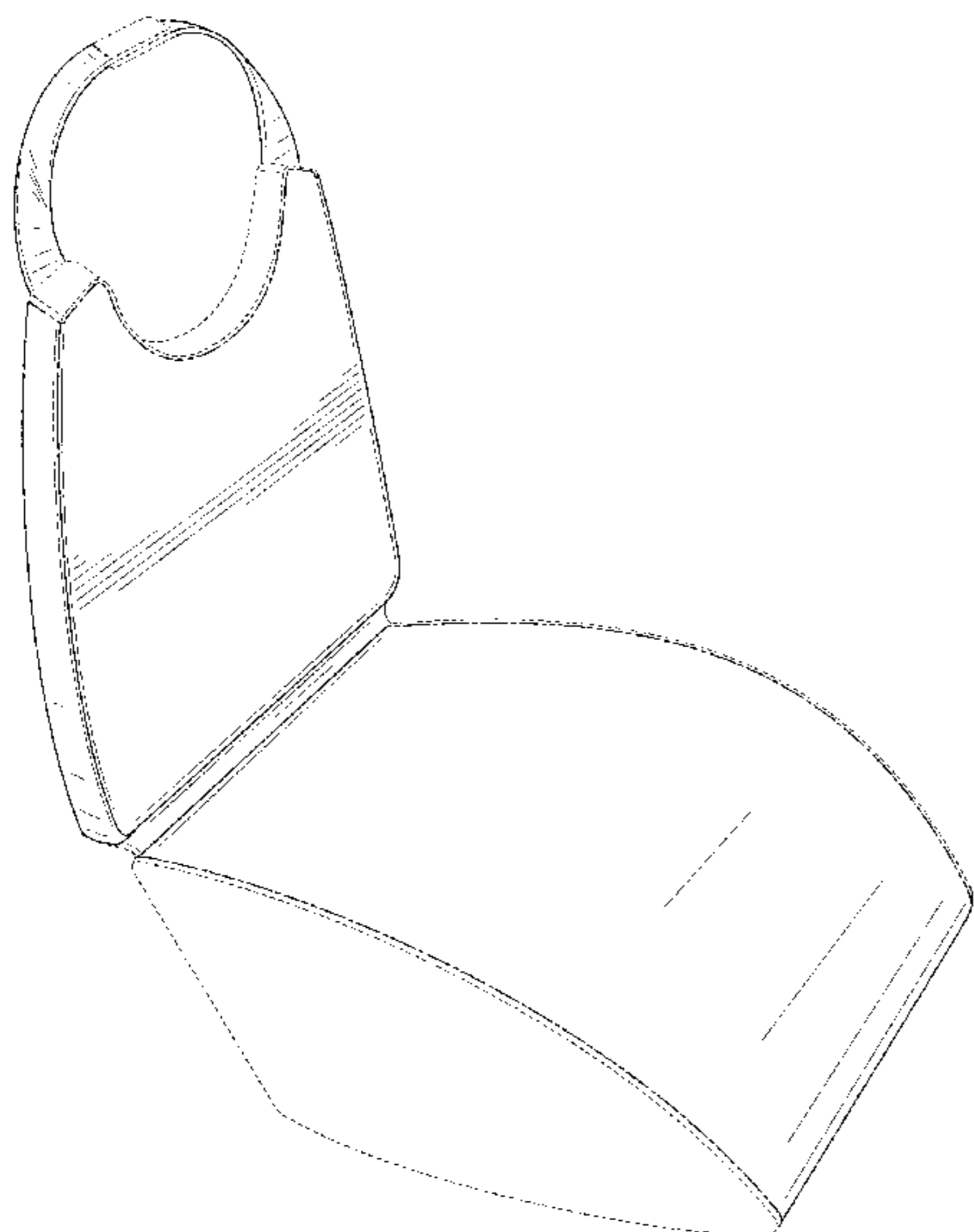
(57) **CLAIM**

The ornamental design for a booster seat with back, as shown and described.

**DESCRIPTION**

FIG. 1 is a perspective view of a booster seat with back showing my new design;  
 FIG. 2 is a front elevation view thereof;  
 FIG. 3 is a rear elevation view thereof;  
 FIG. 4 is a left side elevation view thereof;  
 FIG. 5 is a right side elevation view thereof;  
 FIG. 6 is a top plan view thereof;  
 FIG. 7 is a bottom plan view thereof;  
 FIG. 8 is another perspective view thereof, shown attached to a dental chair;  
 FIG. 9 is another right side view thereof, shown attached to a dental chair;  
 FIG. 10 is a perspective view thereof, shown in a reclined position;  
 FIG. 11 is a front elevation view thereof;  
 FIG. 12 is a rear elevation view thereof;  
 FIG. 13 is a left side elevation view thereof;  
 FIG. 14 is a right side elevation view thereof;  
 FIG. 15 is a top plan view thereof;  
 FIG. 16 is a bottom plan view thereof;  
 FIG. 17 is another perspective view thereof, shown attached to a dental chair; and,  
 FIG. 18 is another right side view thereof, shown attached to a dental chair.  
 The broken lines showing a dental chair in FIGS. 8-9 and 17-18 are directed to unclaimed environment. The dash-dot-dash broken lines represent a boundary of the claimed design. All other broken lines are directed to unclaimed features. The broken lines form no part of the claimed design.

**1 Claim, 18 Drawing Sheets**



(58) **Field of Classification Search**

USPC ..... 5/98.1, 99.1, 101–102, 105, 655, 93.1,  
5/12.1; 24/200  
CPC ..... A47D 13/02; A47D 13/10; A47D 1/00;  
A47D 1/002; A47D 1/004; B60N 2/22;  
B60N 2/24; A47C 7/021; A47C 7/022;  
A47C 7/002; A47C 7/18; A47C 7/24;  
A47C 7/38; A47C 7/46; A47C 3/00;  
A47C 3/02; A47C 3/025; A47C 3/20;  
A47C 3/029; A47C 3/021; A47C 1/00;  
A47C 1/02; A47C 1/04; A47C 1/06  
See application file for complete search history.

(56) **References Cited**

U.S. PATENT DOCUMENTS

D274,863	S *	7/1984	Lindstrom	.....	D6/333
D378,961	S *	4/1997	Nordstrom	.....	D6/361
D381,817	S *	8/1997	Cone, II	.....	D6/333
D525,443	S *	7/2006	Takahashi	.....	D6/367
D624,767	S *	10/2010	Alvarez	.....	D6/716
8,025,336	B2 *	9/2011	Hanus	.....	A61G 15/02 297/344.16

OTHER PUBLICATIONS

“42316-400x300.jpg” [retrieved Jan. 25, 2017]. Retrieved from the Internet: <URL: <http://media.dentalcompare.com/m/25/product/42316-400x300.jpg>>. 1 page.

“child booster.jpg (349x261)” [retrieved Jan. 25, 2017]. Retrieved from the Internet: <URL: <http://bluechipmedical.com/images/imgs/child%20booster.jpg>>. 1 page.

“Crescent Products Dental Child Booster Seat. Pediatric Dentistry. Sedation Dentistry. Order Online or call (312) 957-5790.—DentalProGo. Solutions.” [retrieved Jan. 25, 2017]. Retrieved from the Internet: <URL: <http://www.dentalprogo.com/old-crescent-products-dental-child-booster-seat1.html>>. (dated 2016). 10 pages.

“Dental Chair Accessories | Dentalcompare: Top Products. Best Practices.” [retrieved Jan. 25, 2017]. Retrieved from the Internet: <URL: <http://www.dentalcompare.com/Restorative-Dentistry/5023-Dental-Chair-Accessories/Compare/?compare=42318,42314,42316,2752056,42317&catid=5023>>. (dated 2016). 2 pages.

“Dental chair overlay replacement dental chair cushion : Blue Chip Medical” [retrieved Jan. 25, 2017]. Retrieved from the Internet: <URL: <http://www.bluechipmedical.com/seating-positioning/comfort-supreme/>>. (dated 2016). 6 pages.

“Dimensions of Dental Hygiene” [retrieved Jan. 25, 2017]. Retrieved from the Internet: <URL: [http://www.dimensionsofdentalhygiene.com/2004/01\\_January/Departments/Marketplace.aspx](http://www.dimensionsofdentalhygiene.com/2004/01_January/Departments/Marketplace.aspx)>. (dated 2017). 4 pages.

“image008(1).jpg (253x145)” [retrieved Jan. 25, 2017]. Retrieved from the Internet: <URL: [http://www.dimensionsofdentalhygiene.com/uploadedimages/DDH/Magazine/2004/01\\_January/Departments/image008\(1\).jpg](http://www.dimensionsofdentalhygiene.com/uploadedimages/DDH/Magazine/2004/01_January/Departments/image008(1).jpg)>. 1 page.

“JIndianSocPedodPrevDent\_2015\_33\_1\_35\_148973\_f7.jpg(740x584)” [retrieved Jan. 25, 2017]. Retrieved from the Internet: <URL: [http://medind.nic.in/jao/t15/il/JIndianSocPedodPrevDent2015\\_33\\_1\\_35\\_148973\\_J7.jpg](http://medind.nic.in/jao/t15/il/JIndianSocPedodPrevDent2015_33_1_35_148973_J7.jpg)>. 1 page.

\* cited by examiner

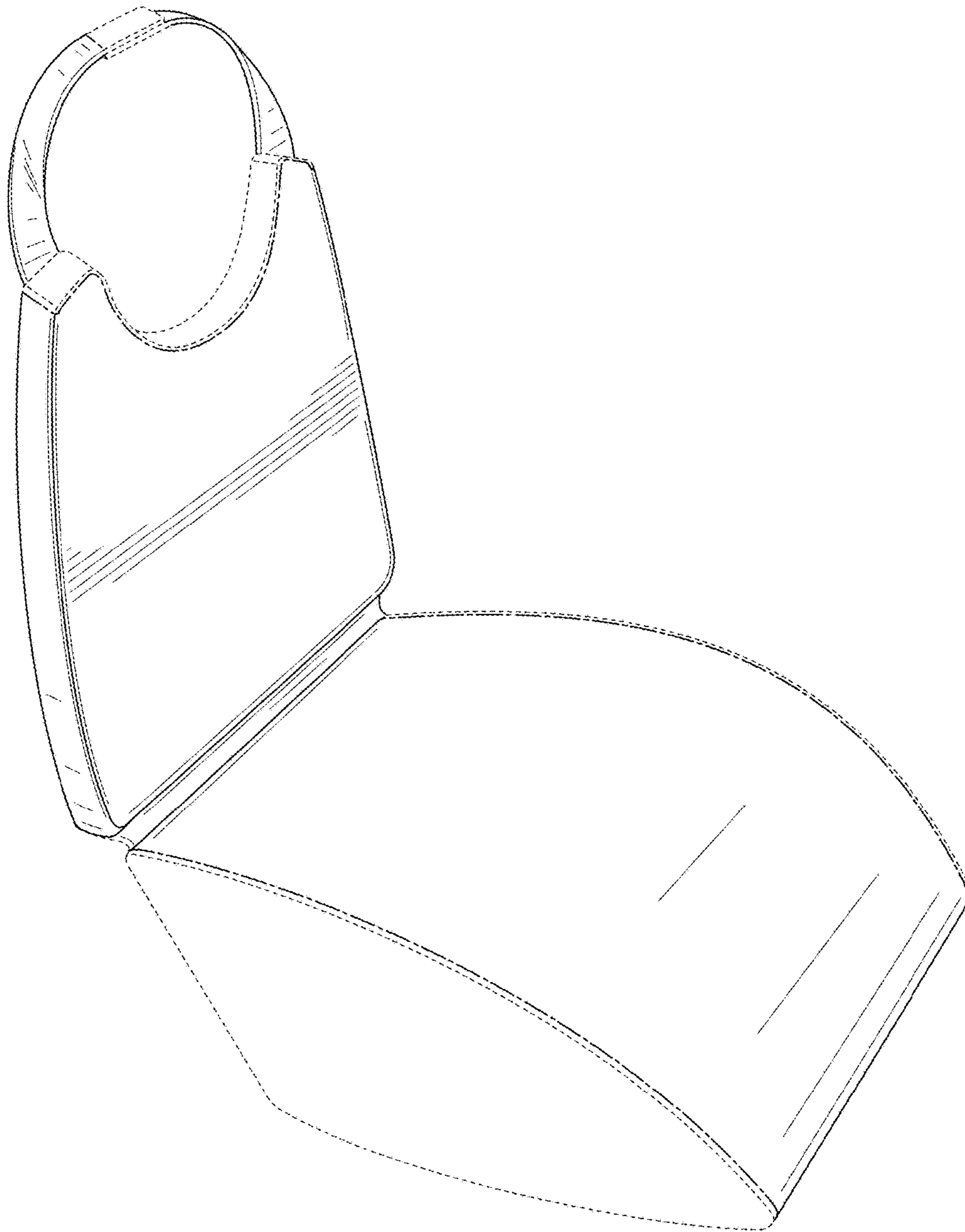
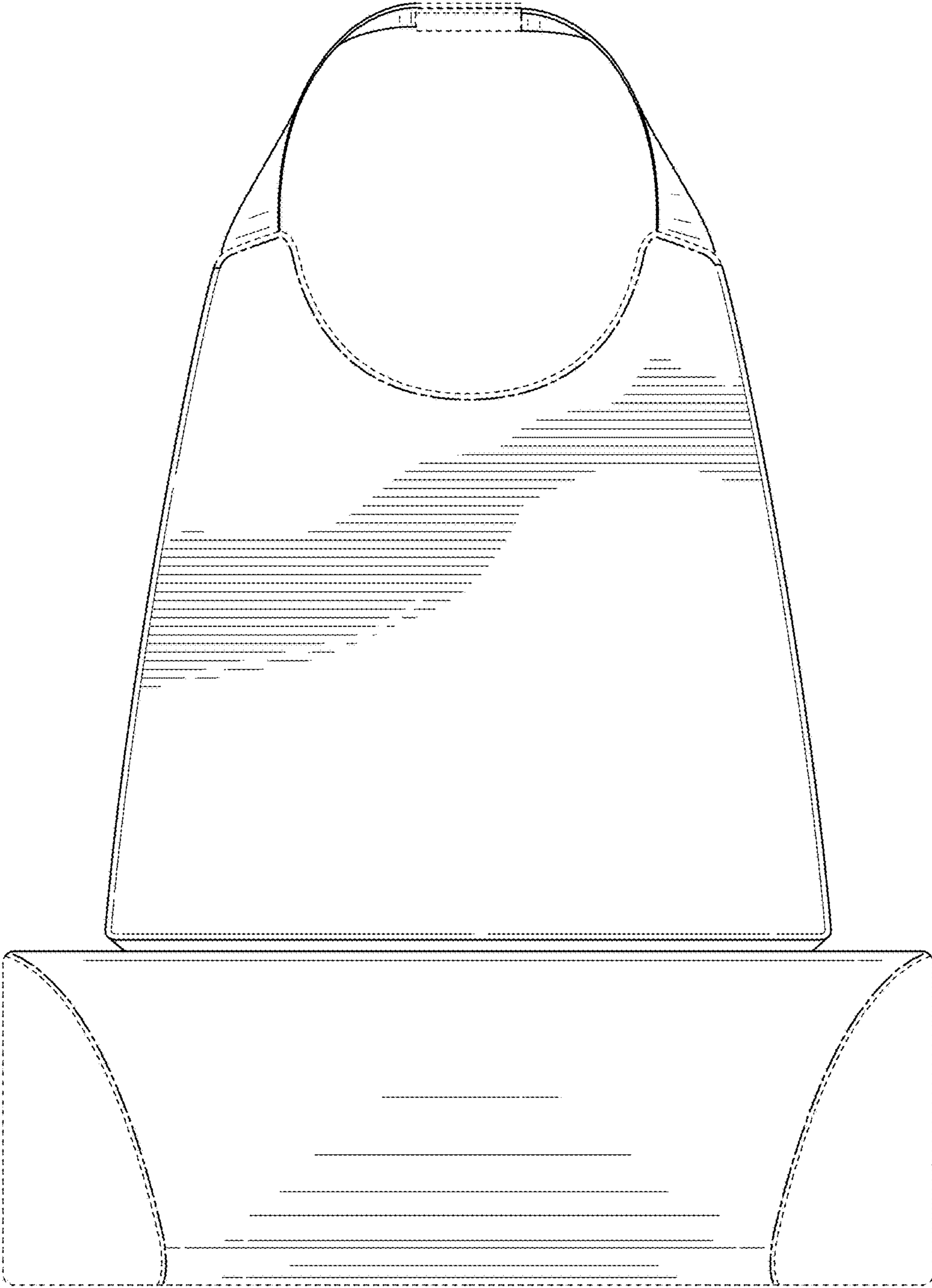
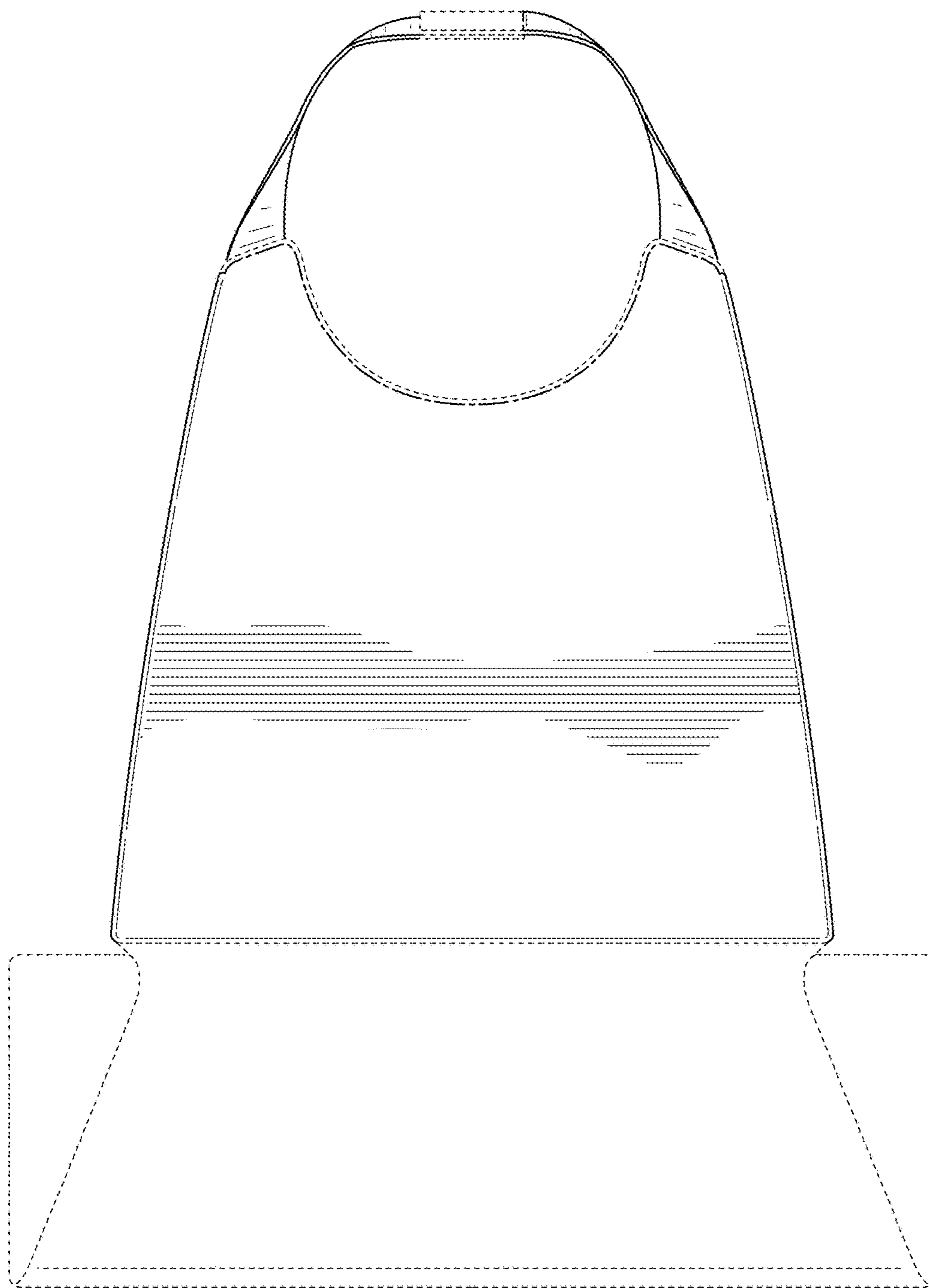


FIG. 1



**FIG. 2**



**FIG. 3**

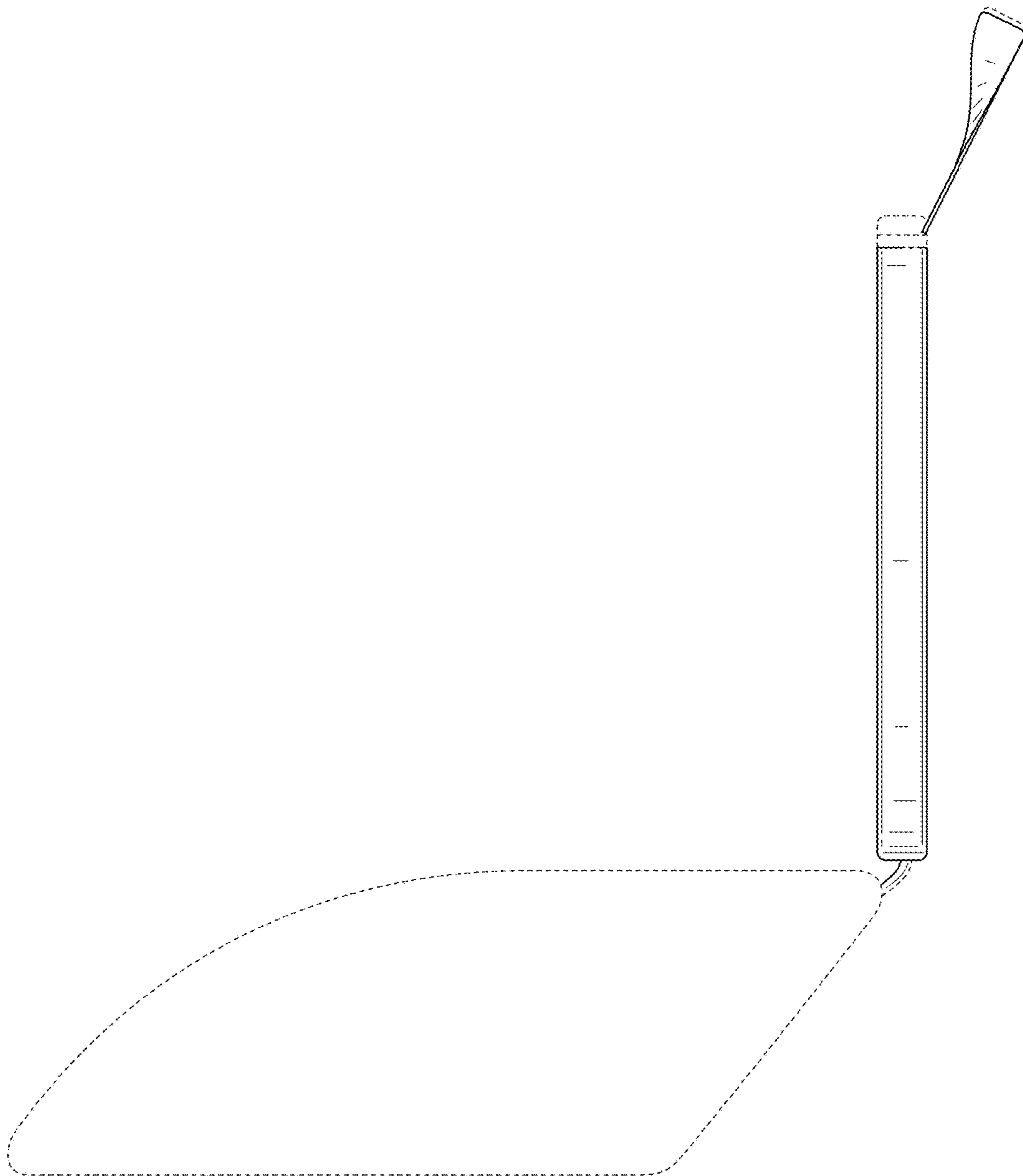


FIG. 4

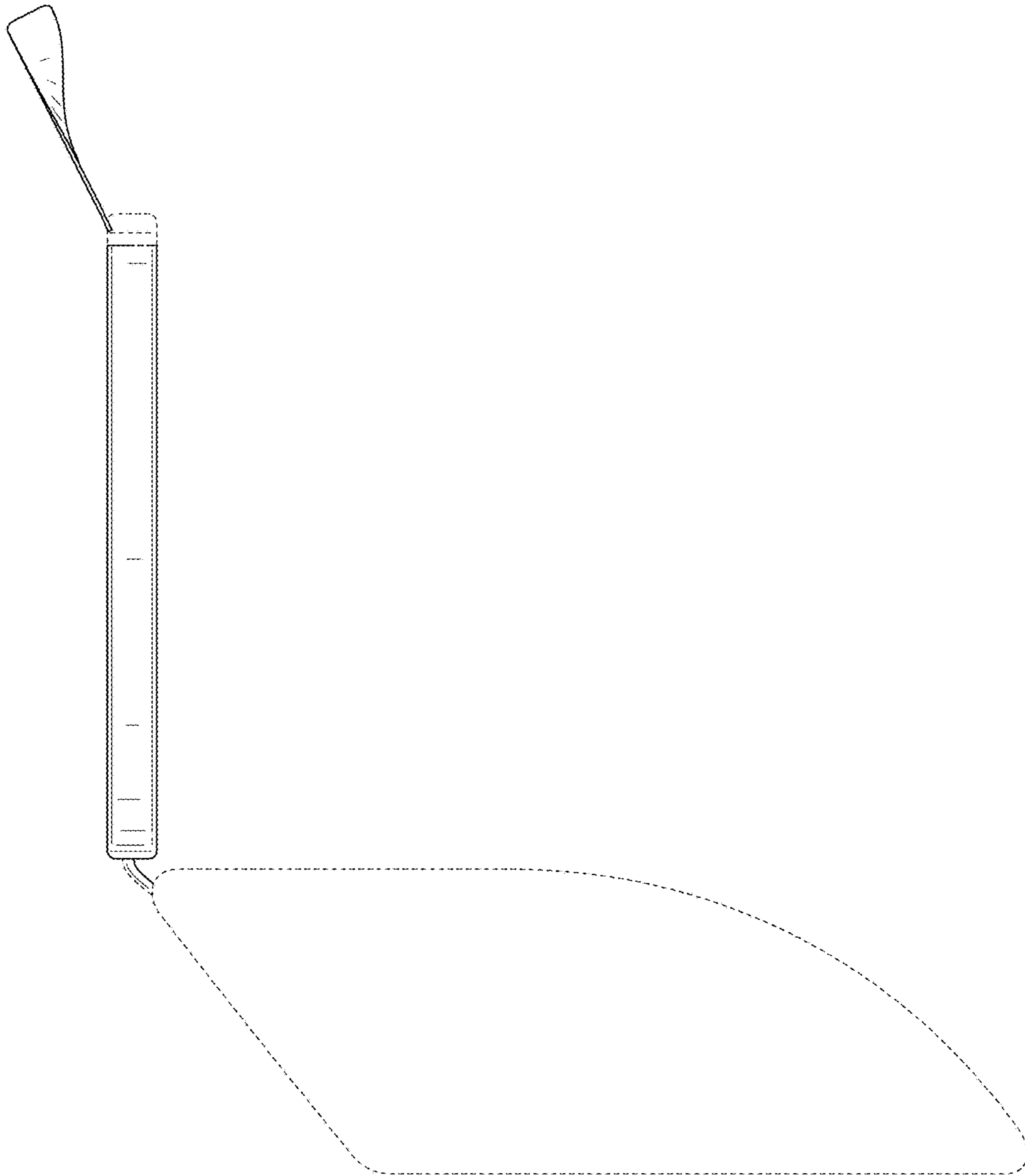
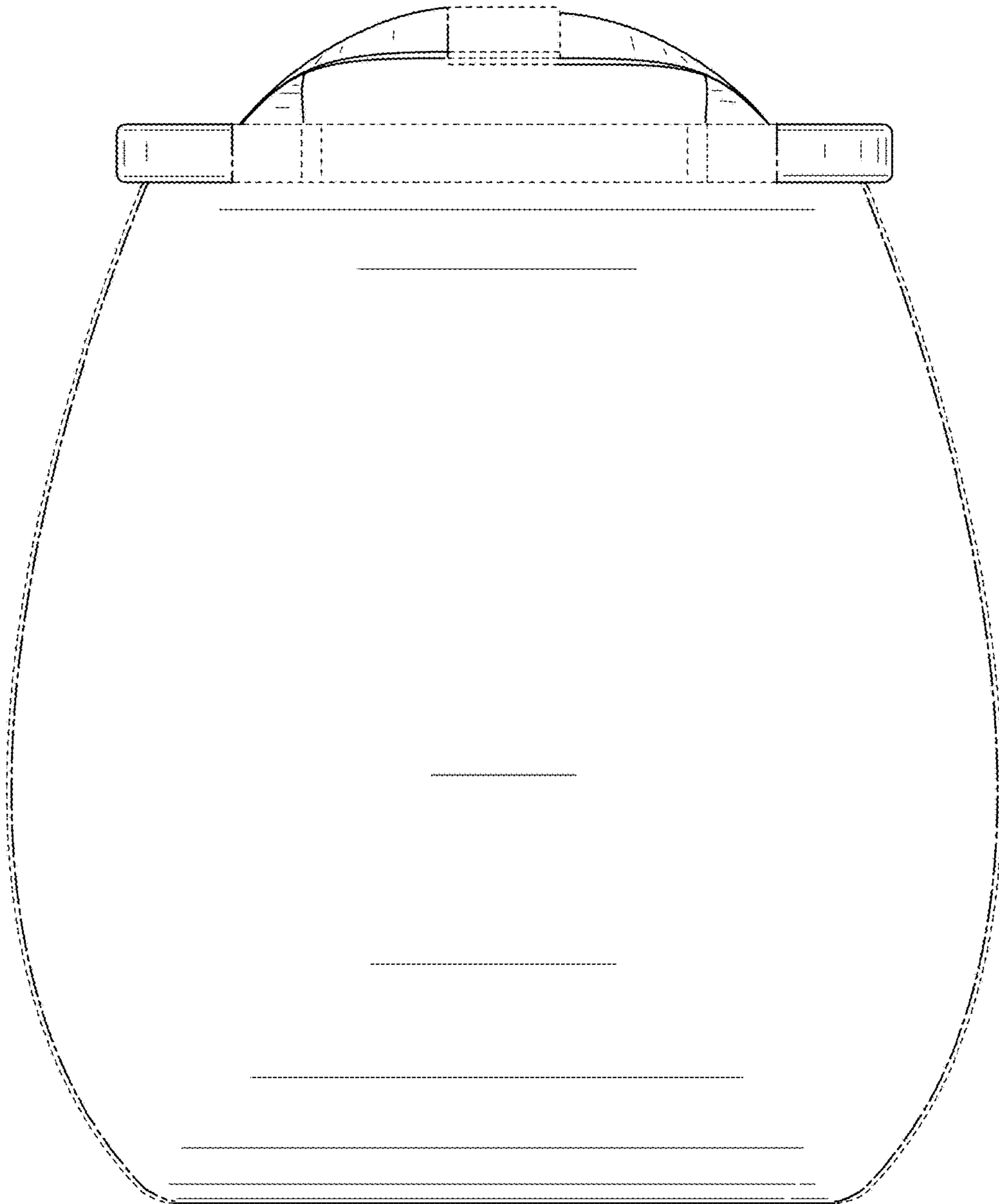
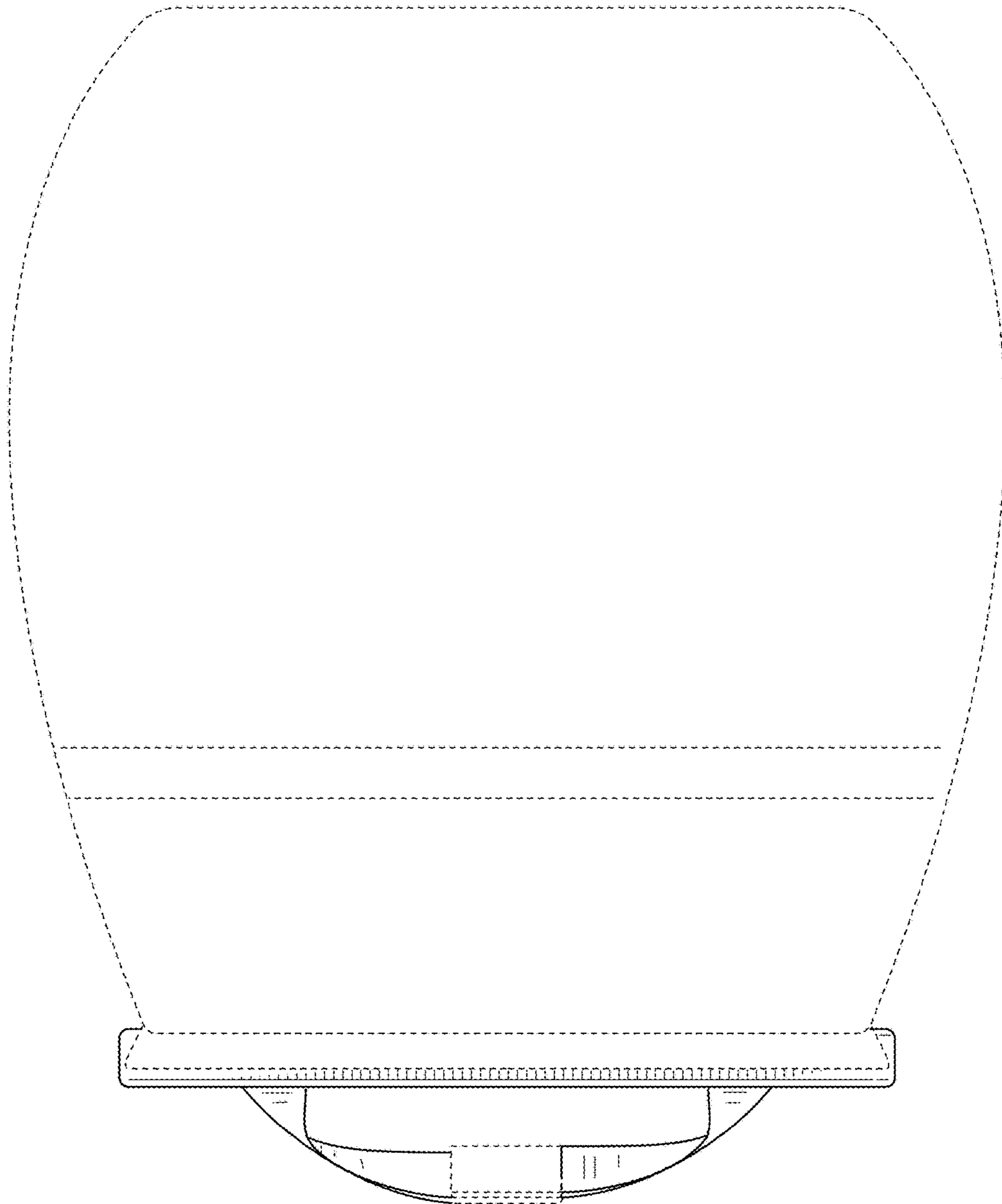


FIG. 5

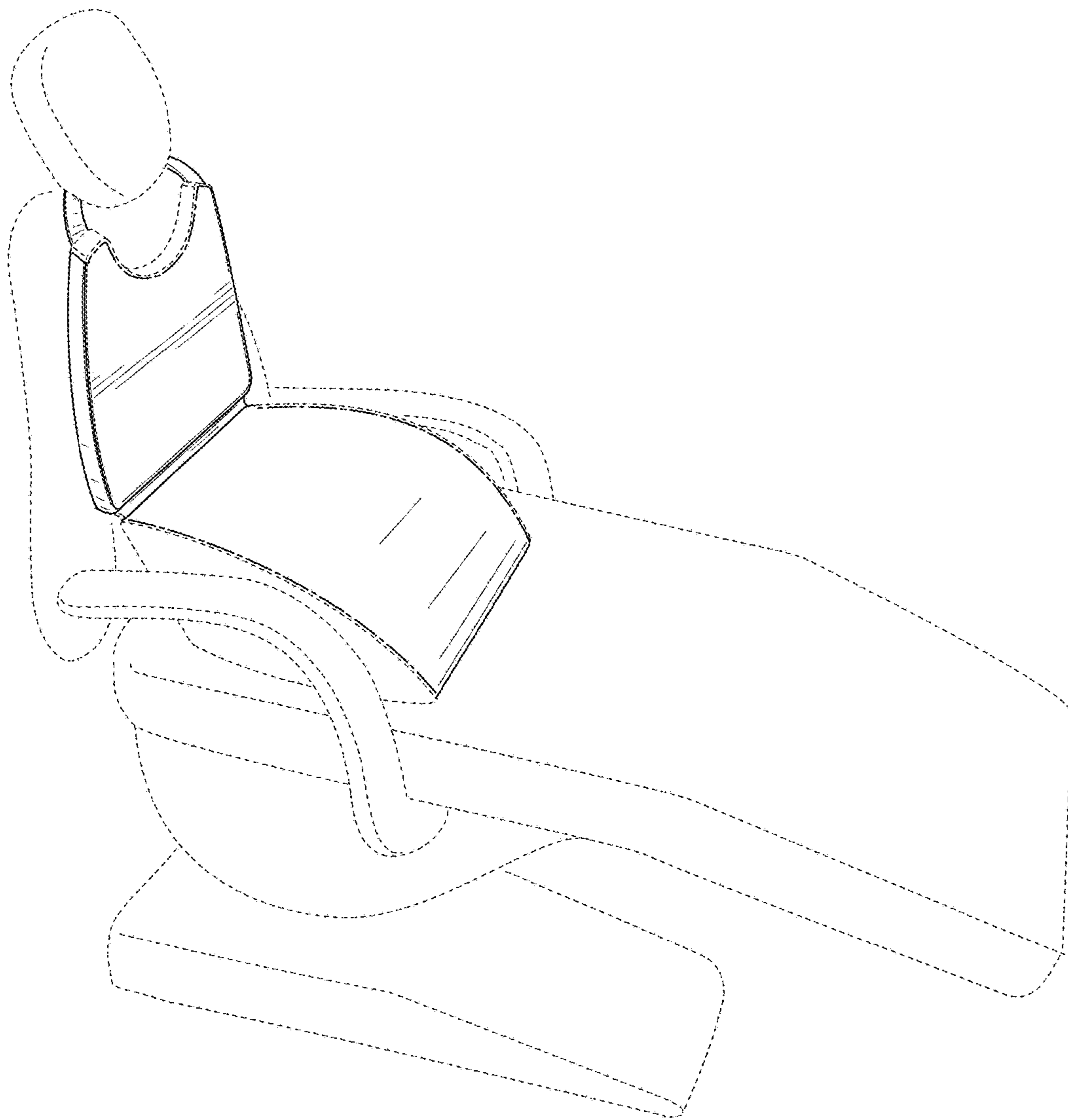


**FIG. 6**





**FIG. 7**



**FIG. 8**

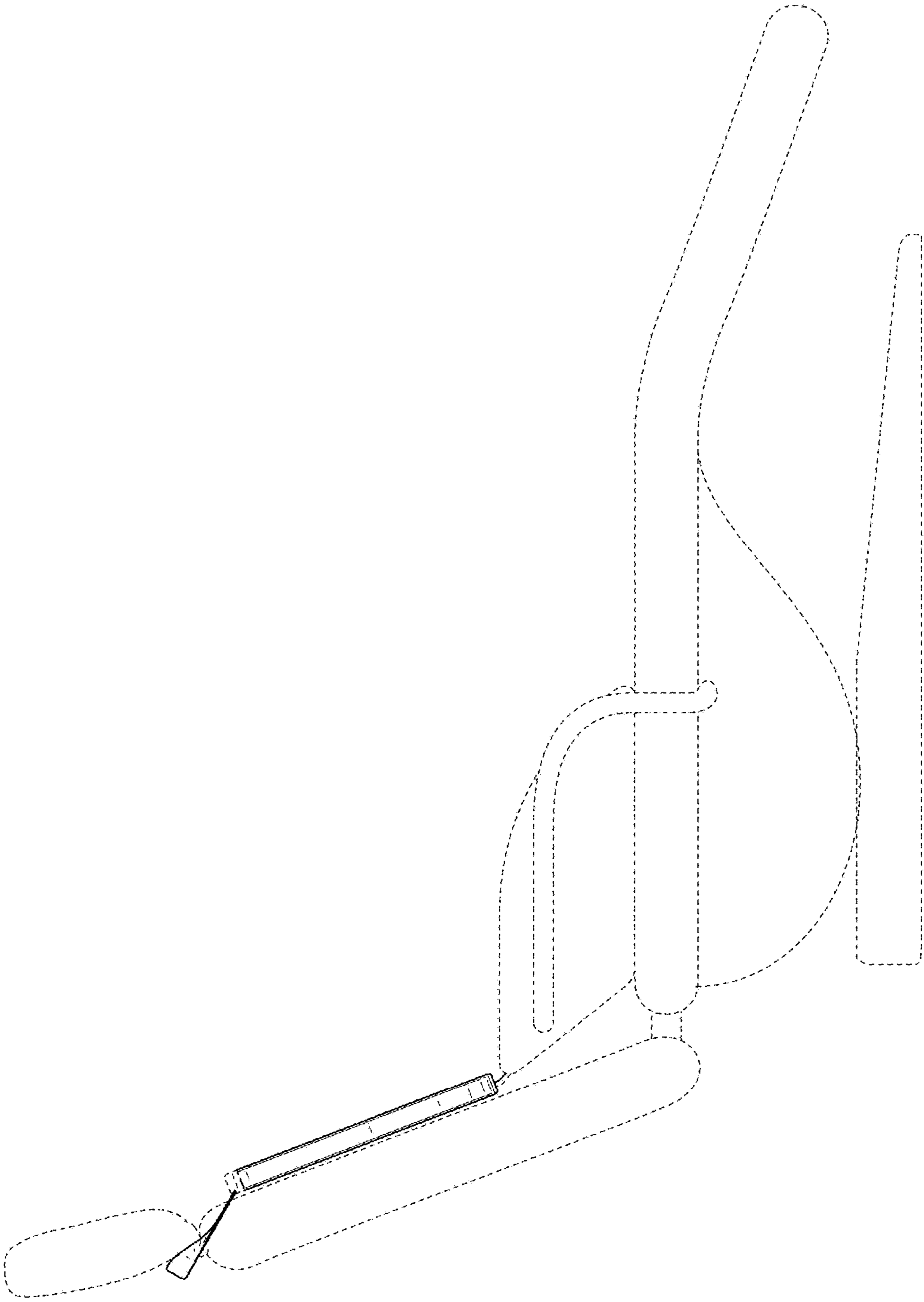
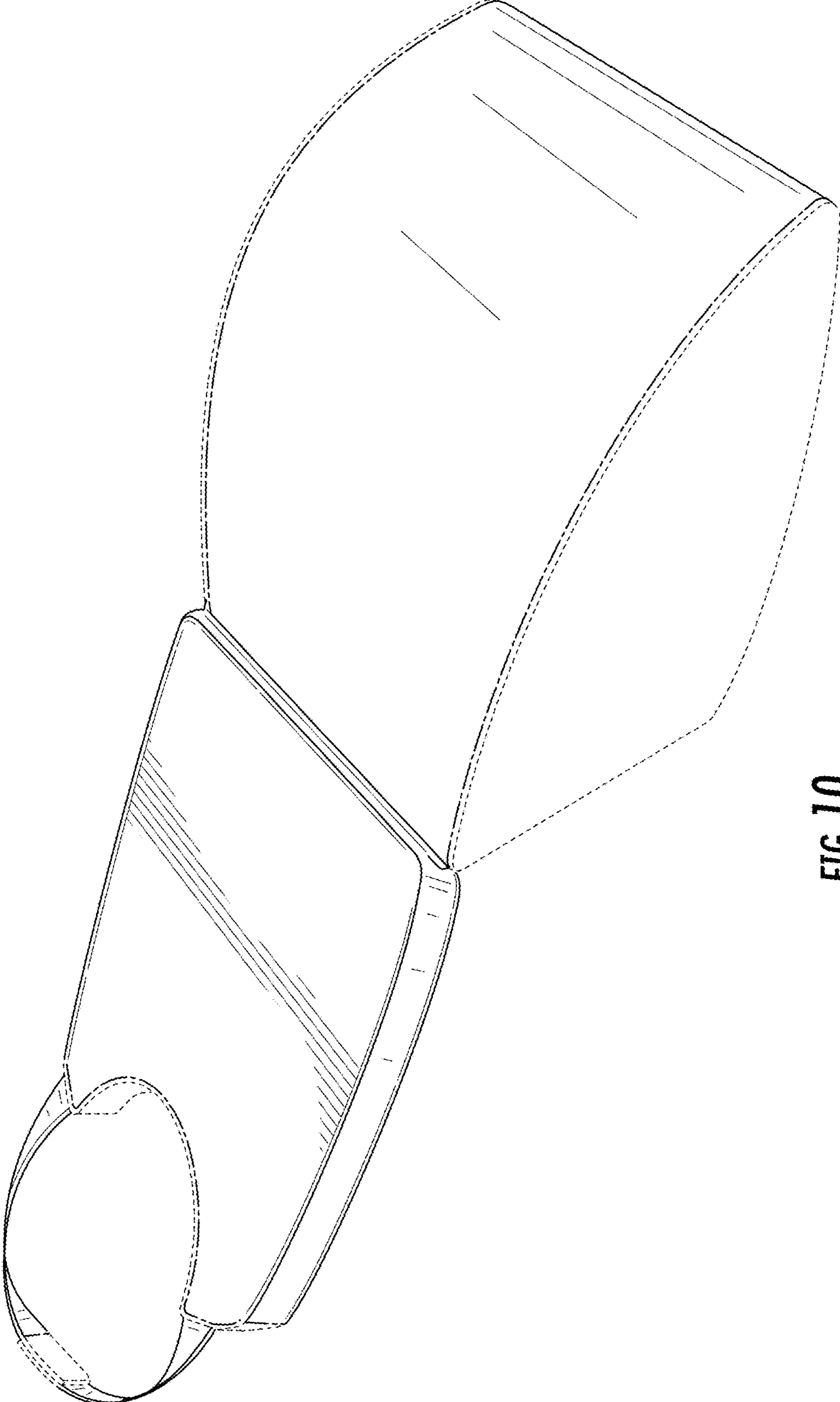


FIG. 9



**FIG. 10**

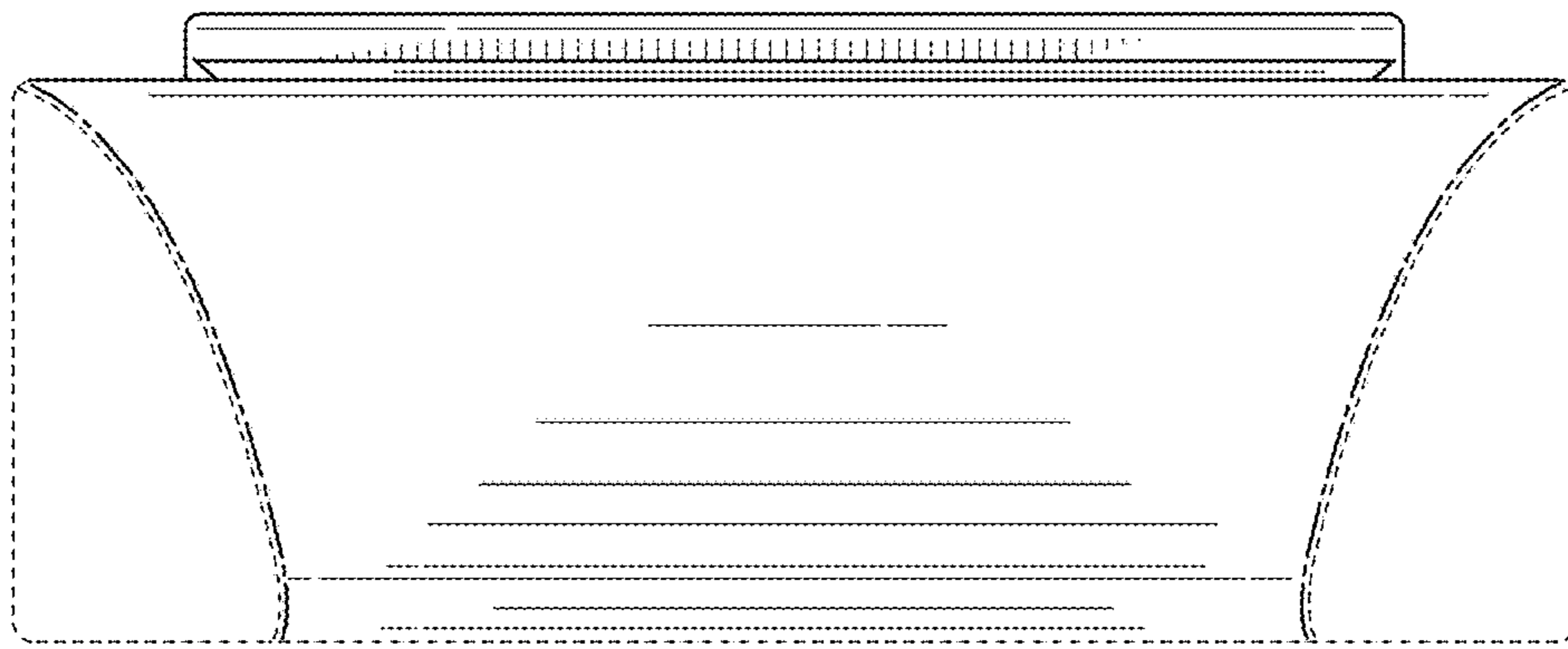


FIG. 11

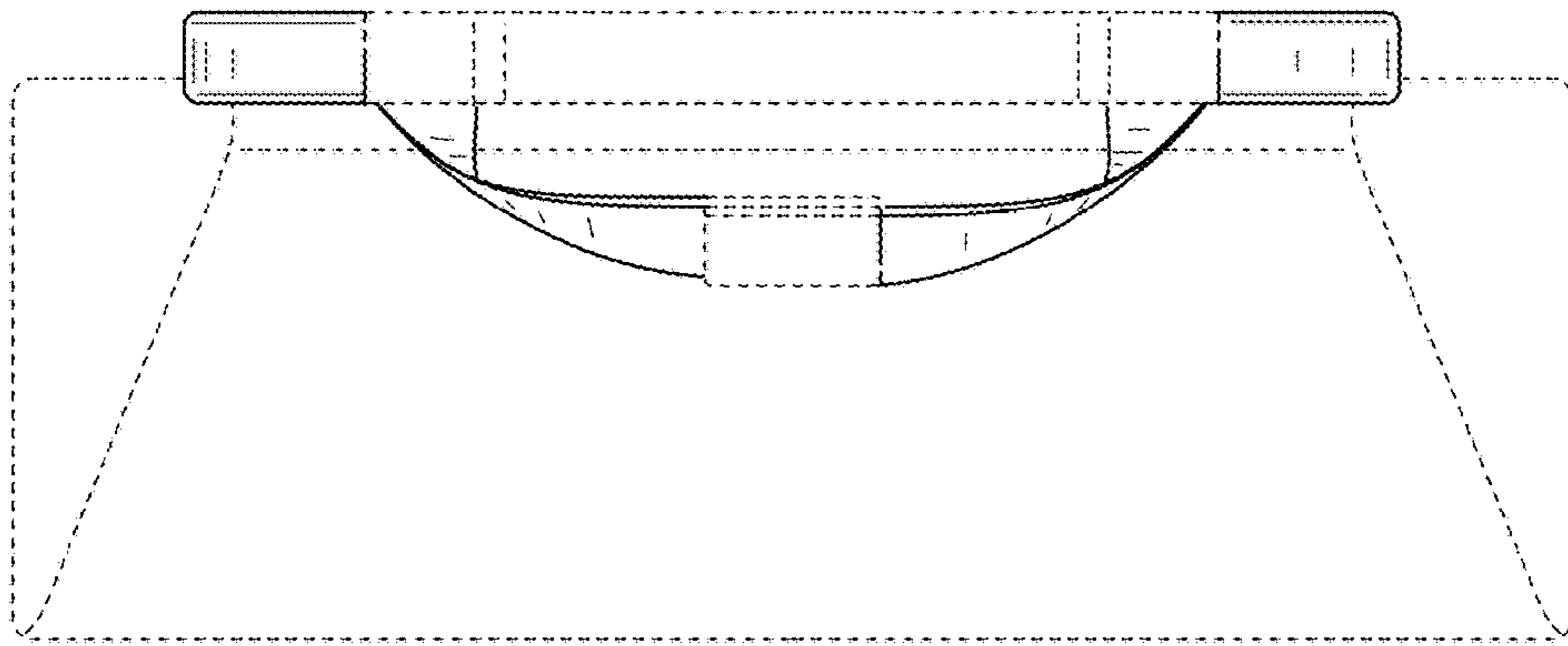


FIG. 12

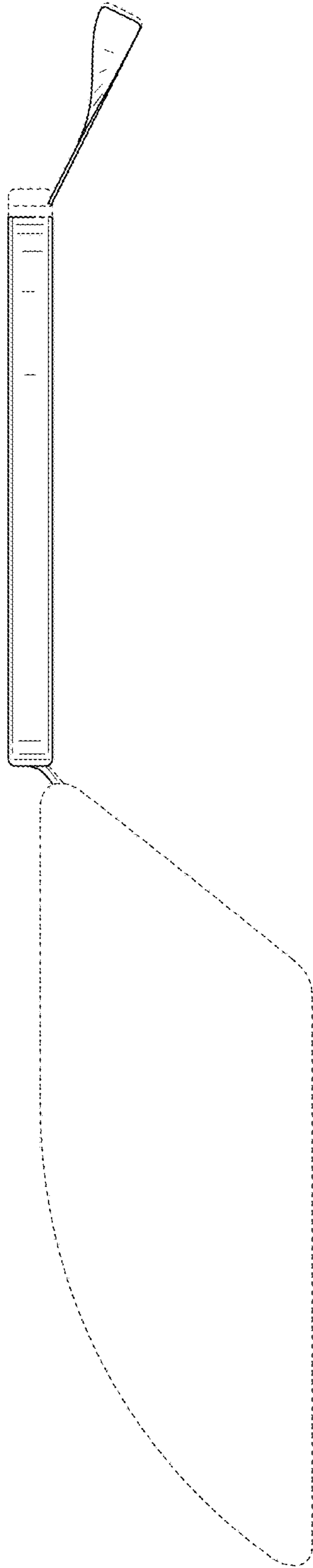


FIG. 13

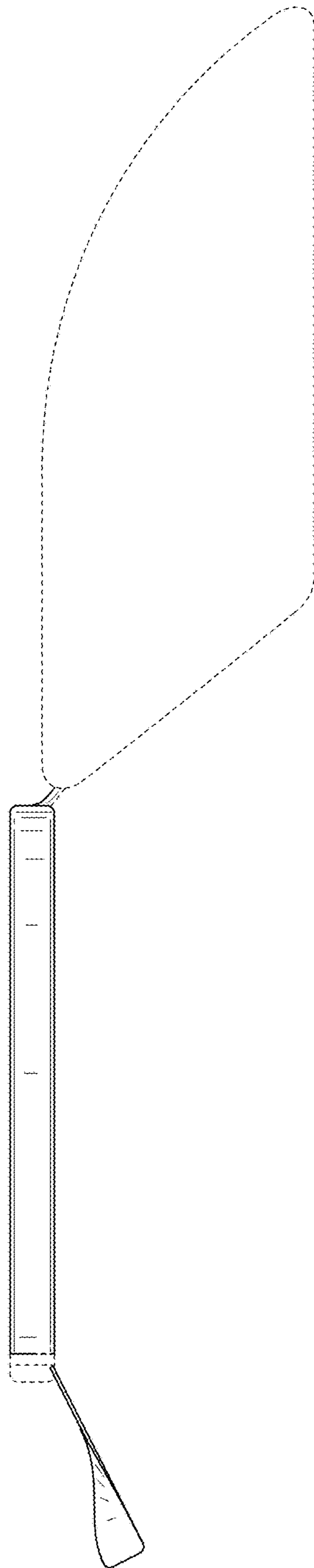
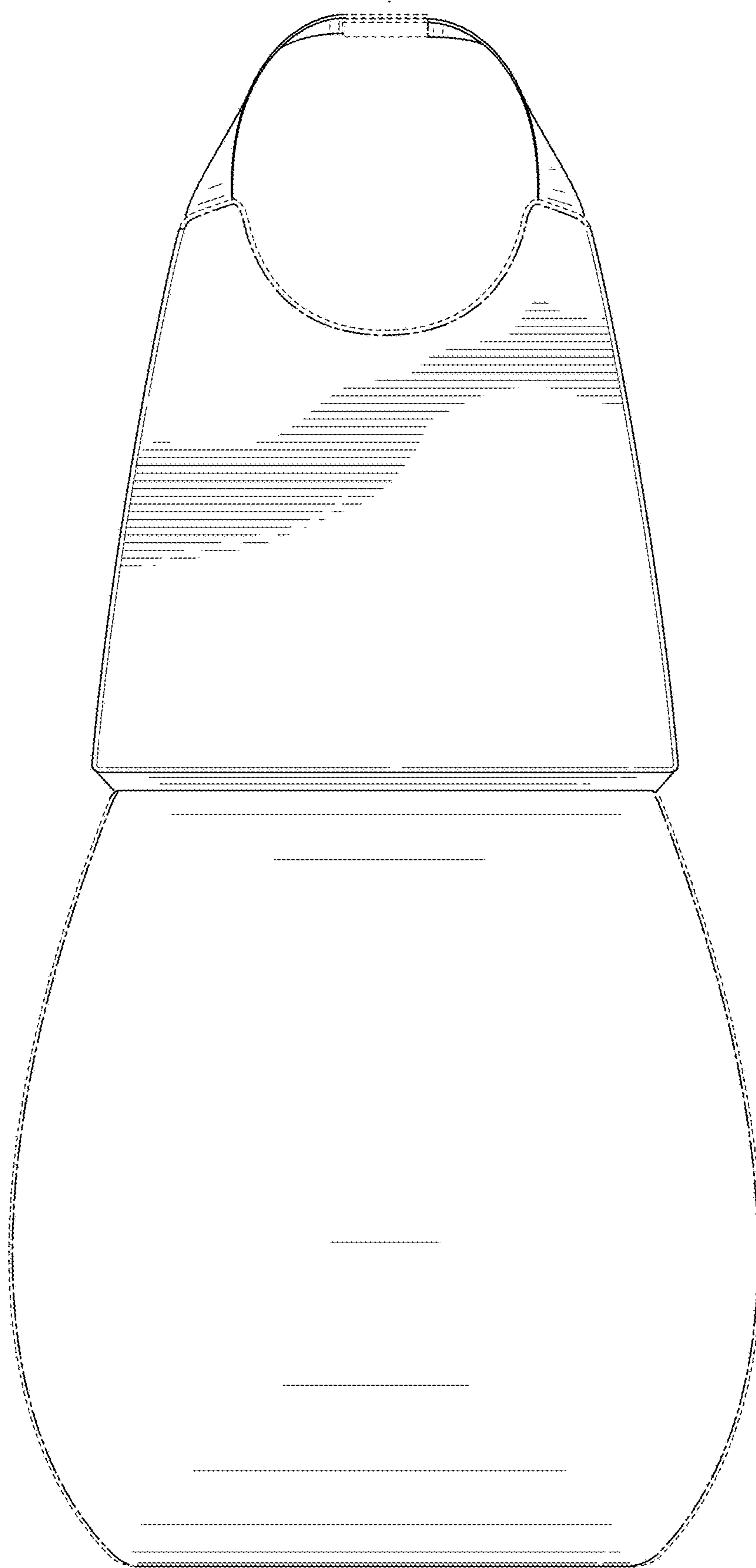
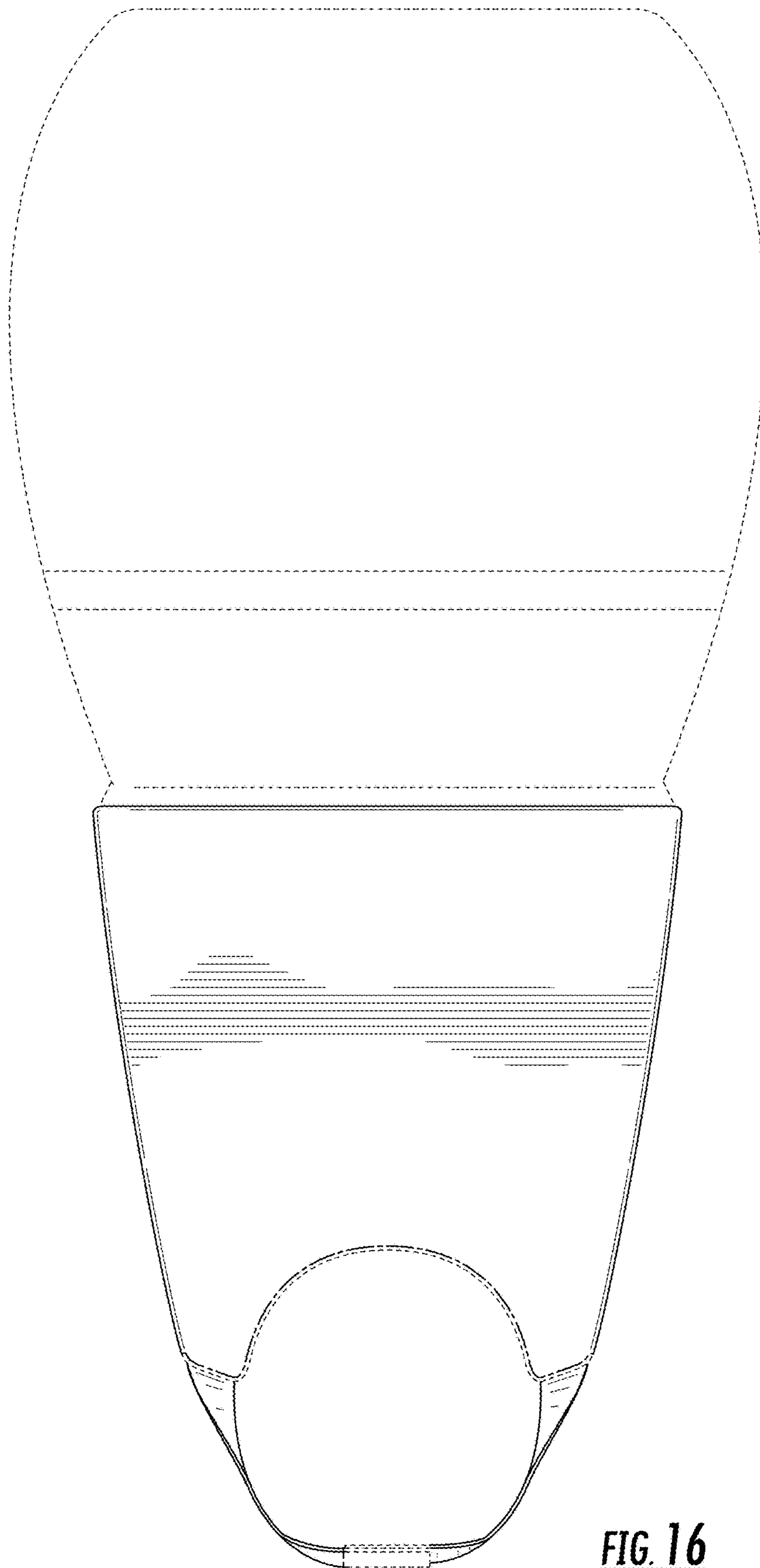


FIG. 14





**FIG. 15**



**FIG. 16**

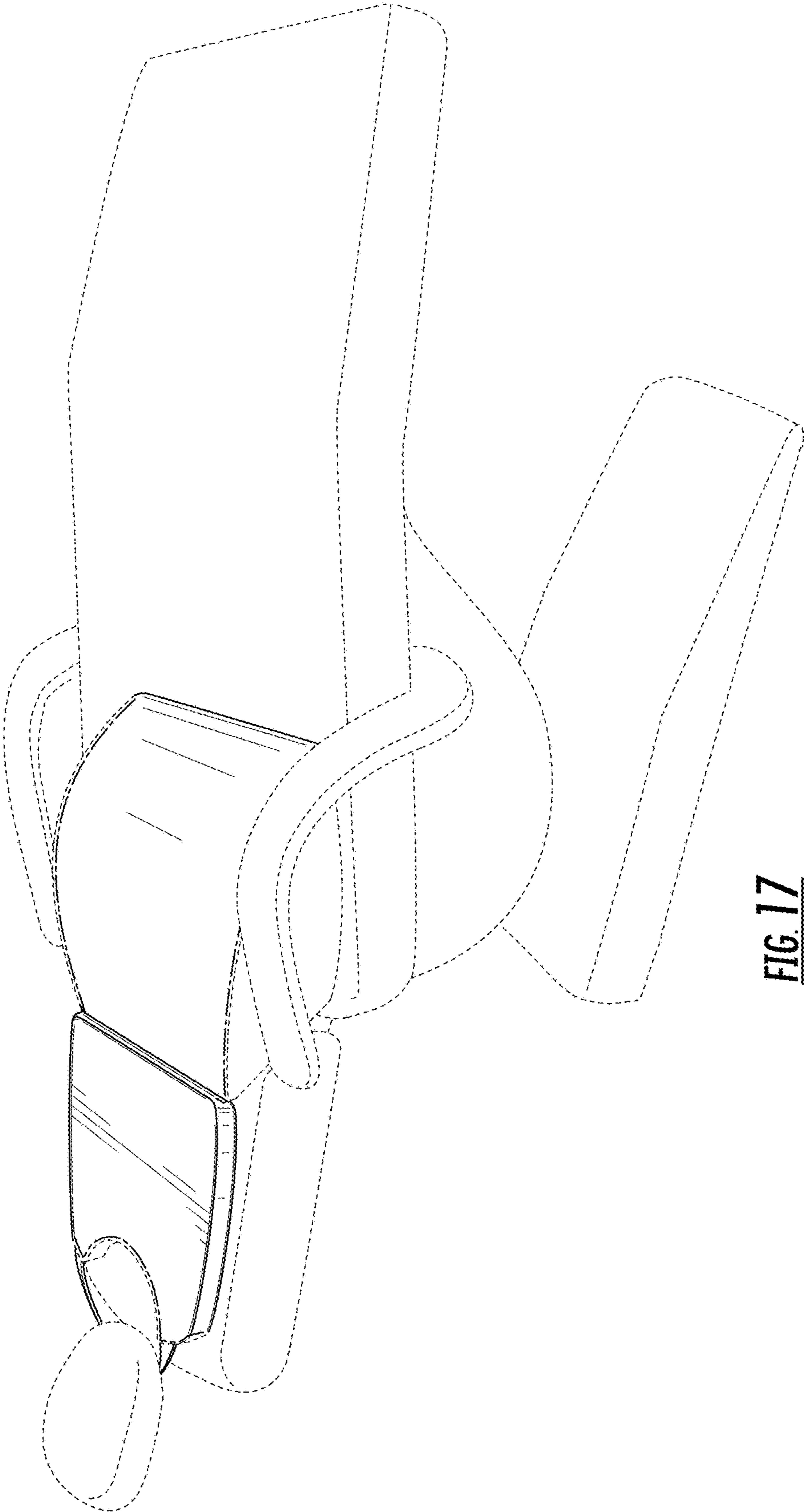


FIG. 17

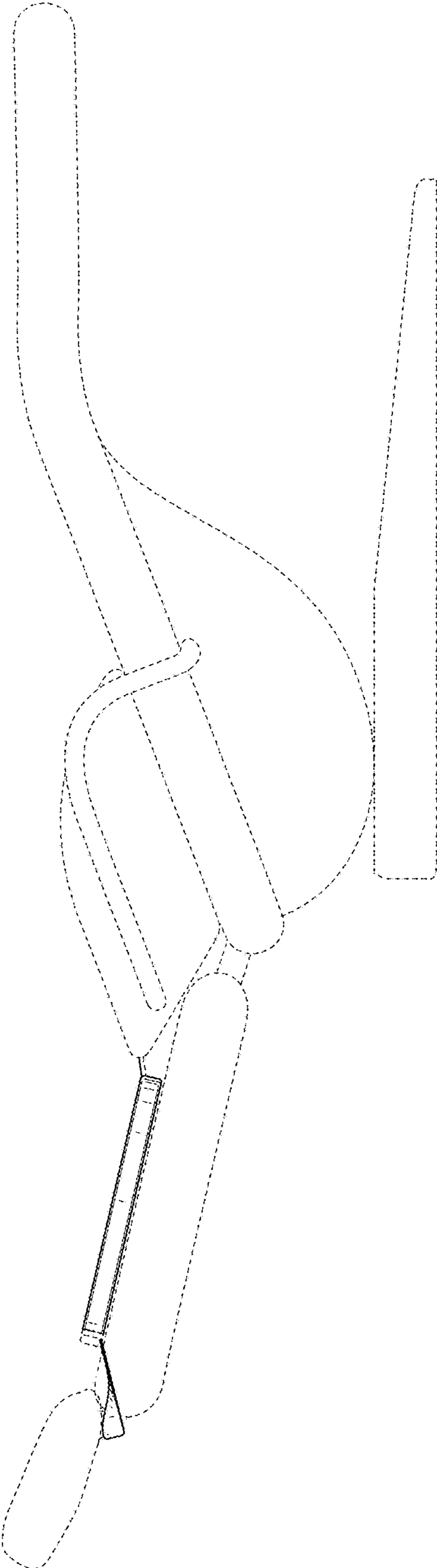


FIG. 18