



US00D813544S

(12) **United States Design Patent** (10) **Patent No.:** **US D813,544 S**
Wang (45) **Date of Patent:** **** Mar. 27, 2018**

(54) **STORAGE BASKET**

(71) Applicant: **Wen-Tsan Wang**, Taipei (TW)

(72) Inventor: **Wen-Tsan Wang**, Taipei (TW)

(**) Term: **15 Years**

(21) Appl. No.: **29/594,295**

(22) Filed: **Feb. 17, 2017**

(51) **LOC (11) Cl.** **03-01**

(52) **U.S. Cl.**
USPC **D3/305**

(58) **Field of Classification Search**
USPC D3/304, 305, 314; D7/601, 701;
D19/75, 100
CPC . A45C 11/00; B65D 1/00; B65D 1/22; B65D
37/00

See application file for complete search history.

(56) **References Cited**

U.S. PATENT DOCUMENTS

1,792,370 A * 2/1931 Goodman B65D 5/36
229/108.1
6,415,927 B1 * 7/2002 Stone B65D 19/06
206/600
D495,598 S * 9/2004 Smith D9/430
D536,172 S * 2/2007 Baez D3/304
D582,266 S * 12/2008 Helms, Jr. D9/430
D672,645 S * 12/2012 Giannini D9/430
D725,315 S * 3/2015 Gabriel D3/304
D795,689 S * 8/2017 Shirosawa D9/421
2003/0024971 A1 * 2/2003 Jones B65D 5/029
229/109
2003/0116615 A1 * 6/2003 Hyatt B65D 5/029
229/183
2006/0124716 A1 * 6/2006 Quaintance B65D 5/029
229/184

2006/0261060 A1 * 11/2006 Baez B65D 11/1873
220/4.21
2010/0006629 A1 * 1/2010 Bettinger B65D 5/029
229/109
2010/0132284 A1 * 6/2010 Takeshima E04H 1/02
52/236.1

* cited by examiner

Primary Examiner — Kelley Donnelly

(74) *Attorney, Agent, or Firm* — Leong C. Lei

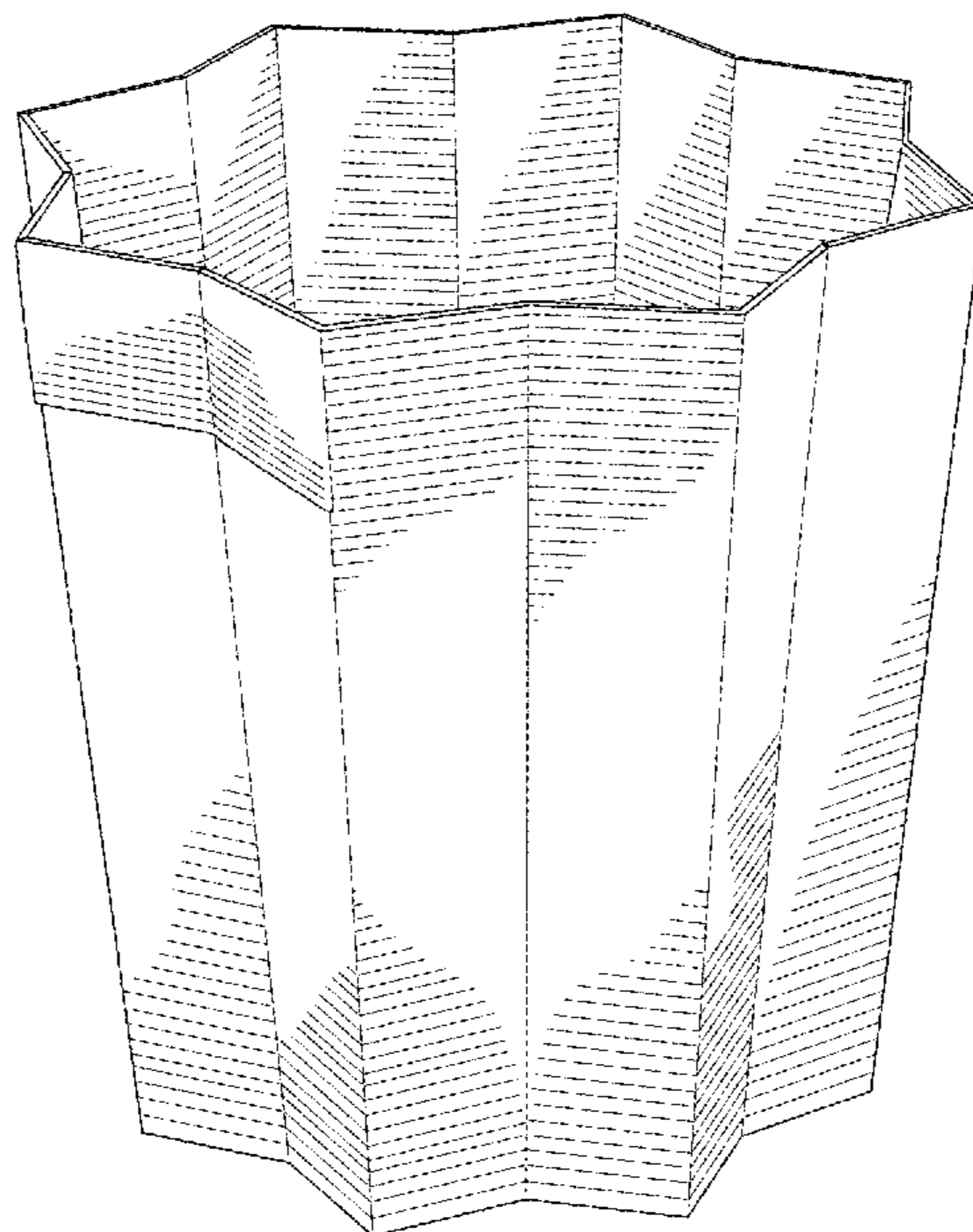
(57) **CLAIM**

The ornamental design for a storage basket, as shown and described.

DESCRIPTION

FIG. 1 is a front perspective view of a storage basket showing my new design;
 FIG. 2 is a front elevational view thereof;
 FIG. 3 is a rear elevational view thereof;
 FIG. 4 is a left elevational view thereof;
 FIG. 5 is a right elevational view thereof;
 FIG. 6 is a top plan view thereof;
 FIG. 7 is a bottom plan view thereof;
 FIG. 8 is another perspective view thereof, in half folding position;
 FIG. 9 is another perspective view thereof, in fully folding position; and,
 FIG. 10 is another perspective view thereof, showing the status while in use.
 The portions shown in broken lines form no part of the claimed design.

1 Claim, 9 Drawing Sheets



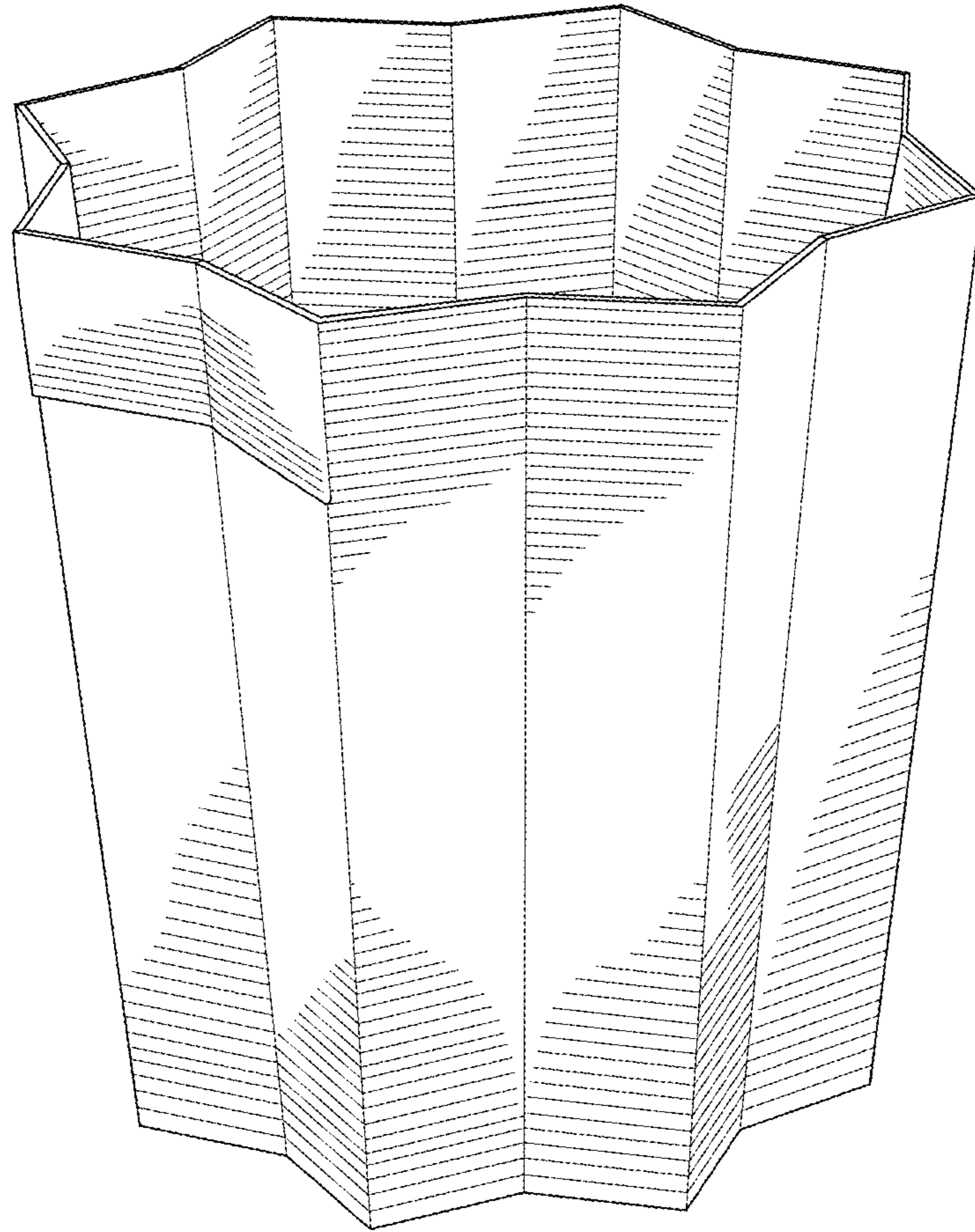


FIG. 1

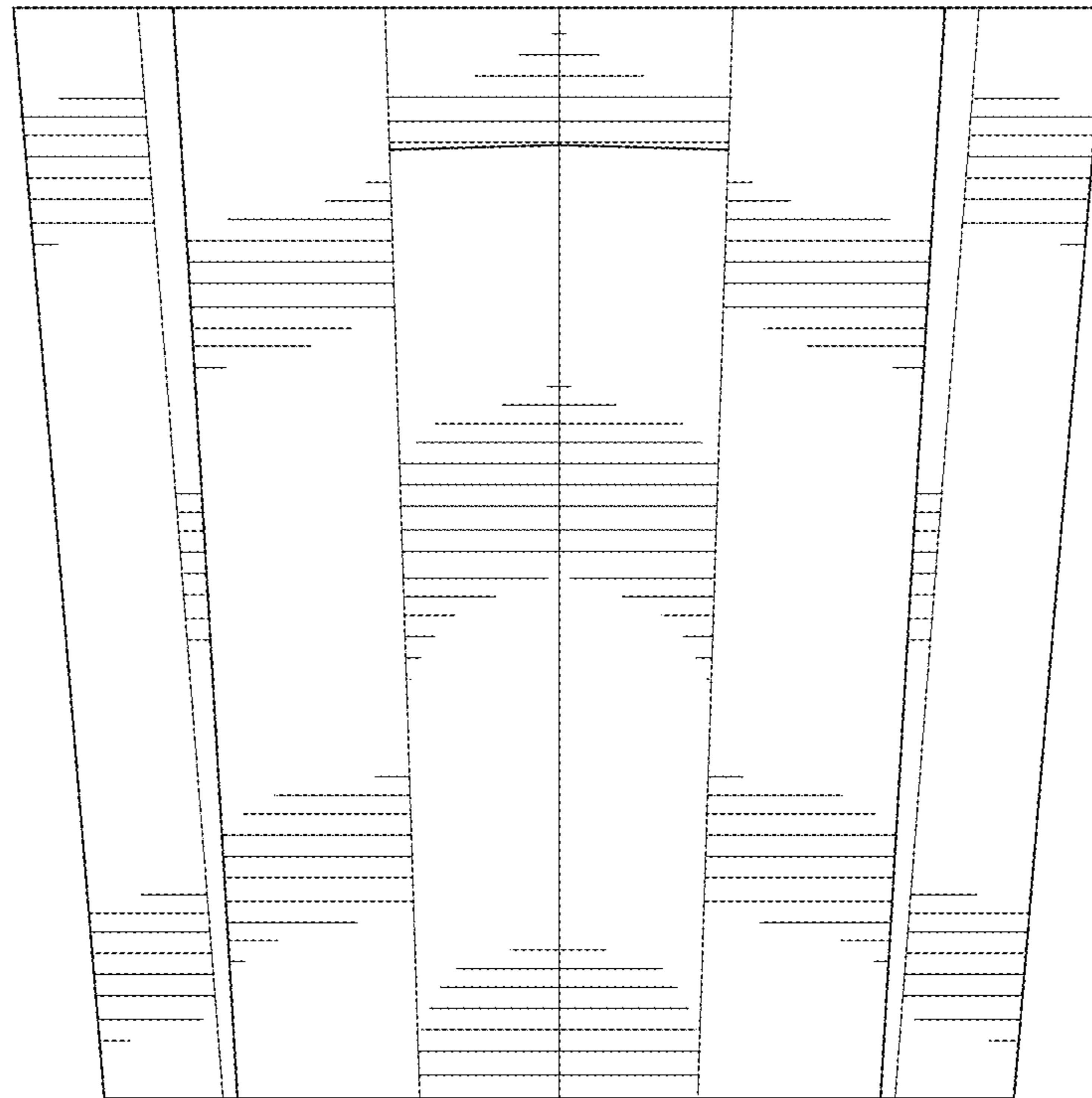


FIG. 2

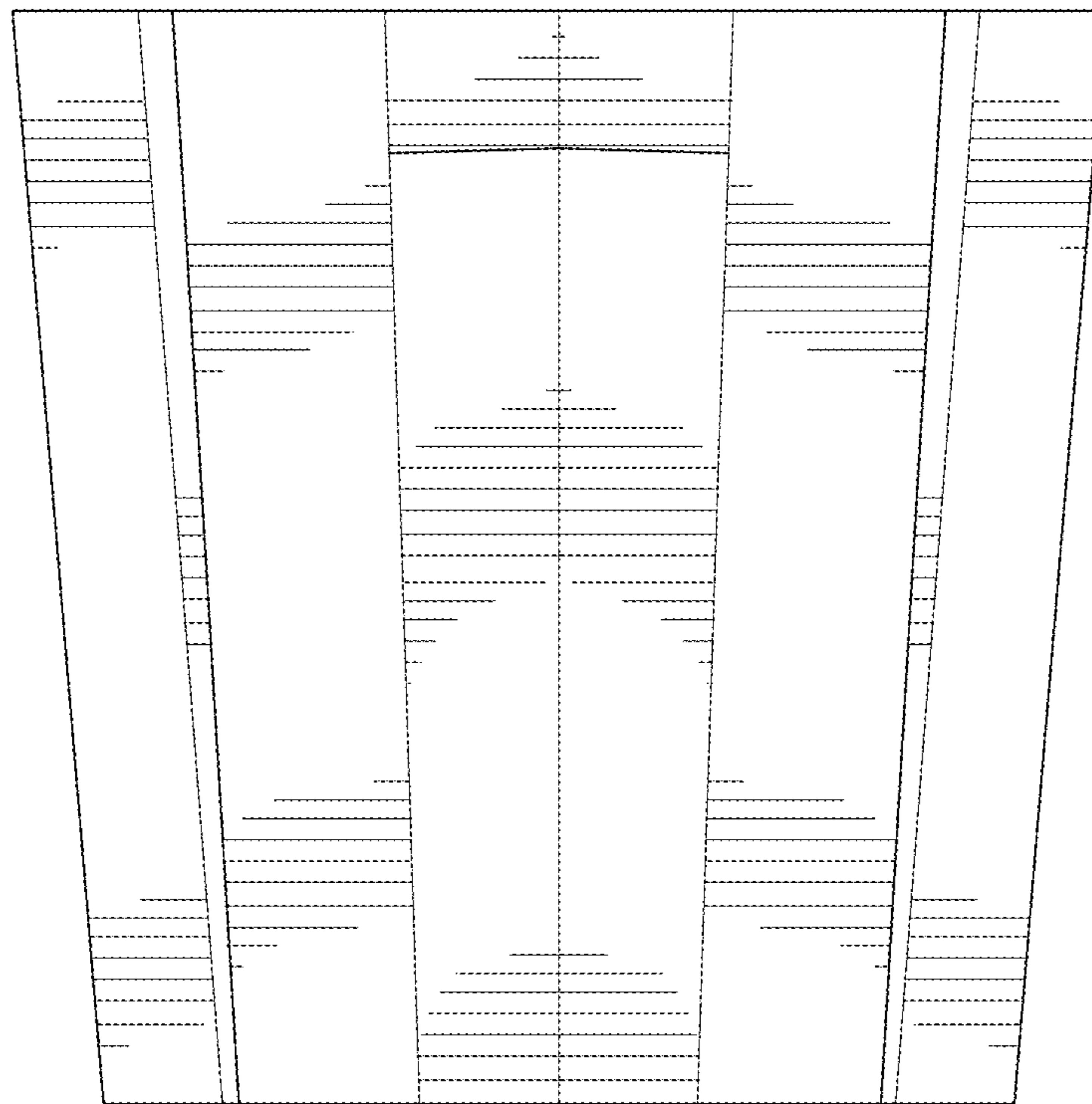


FIG. 3

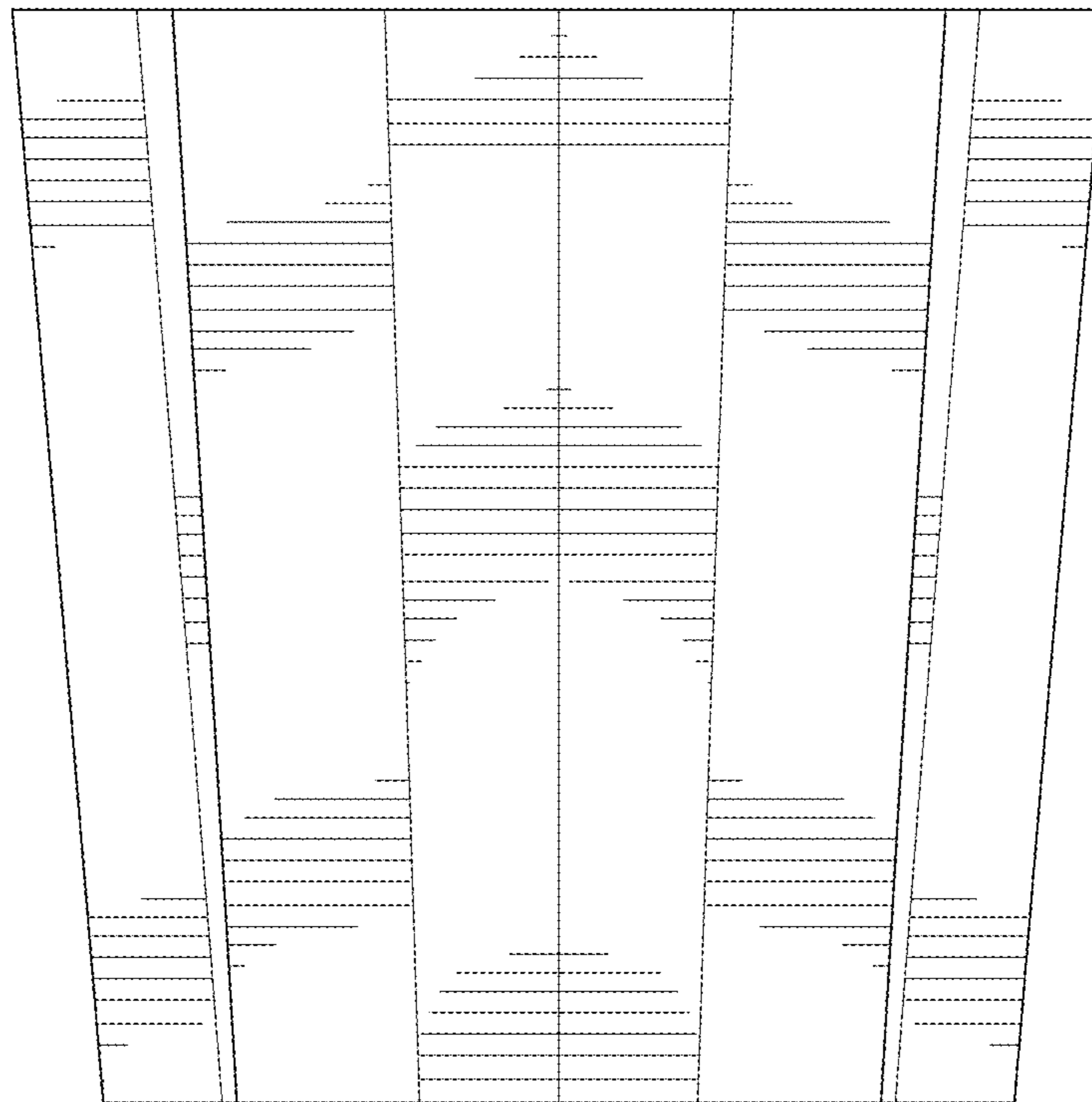


FIG. 4

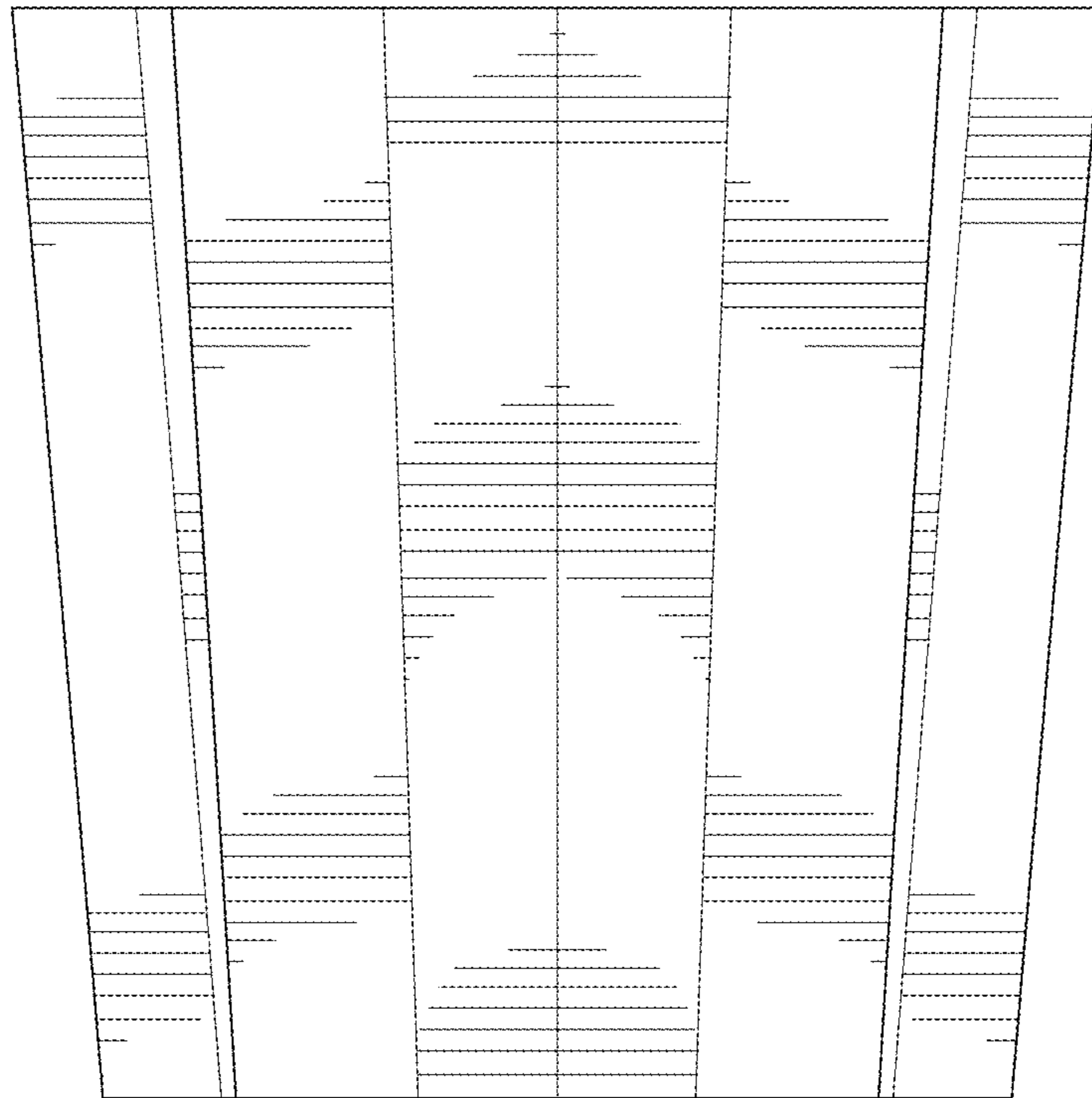


FIG. 5

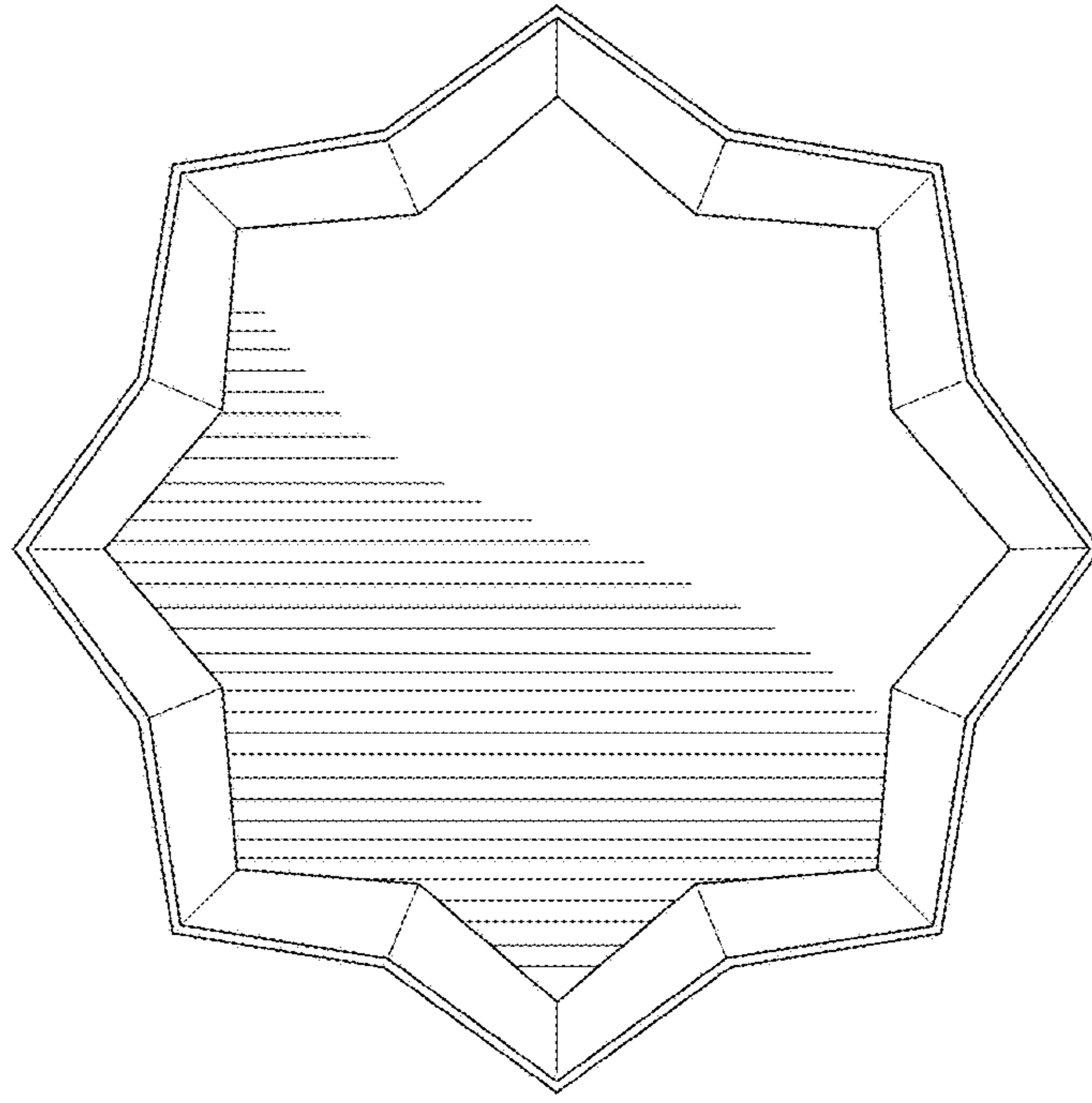


FIG. 6

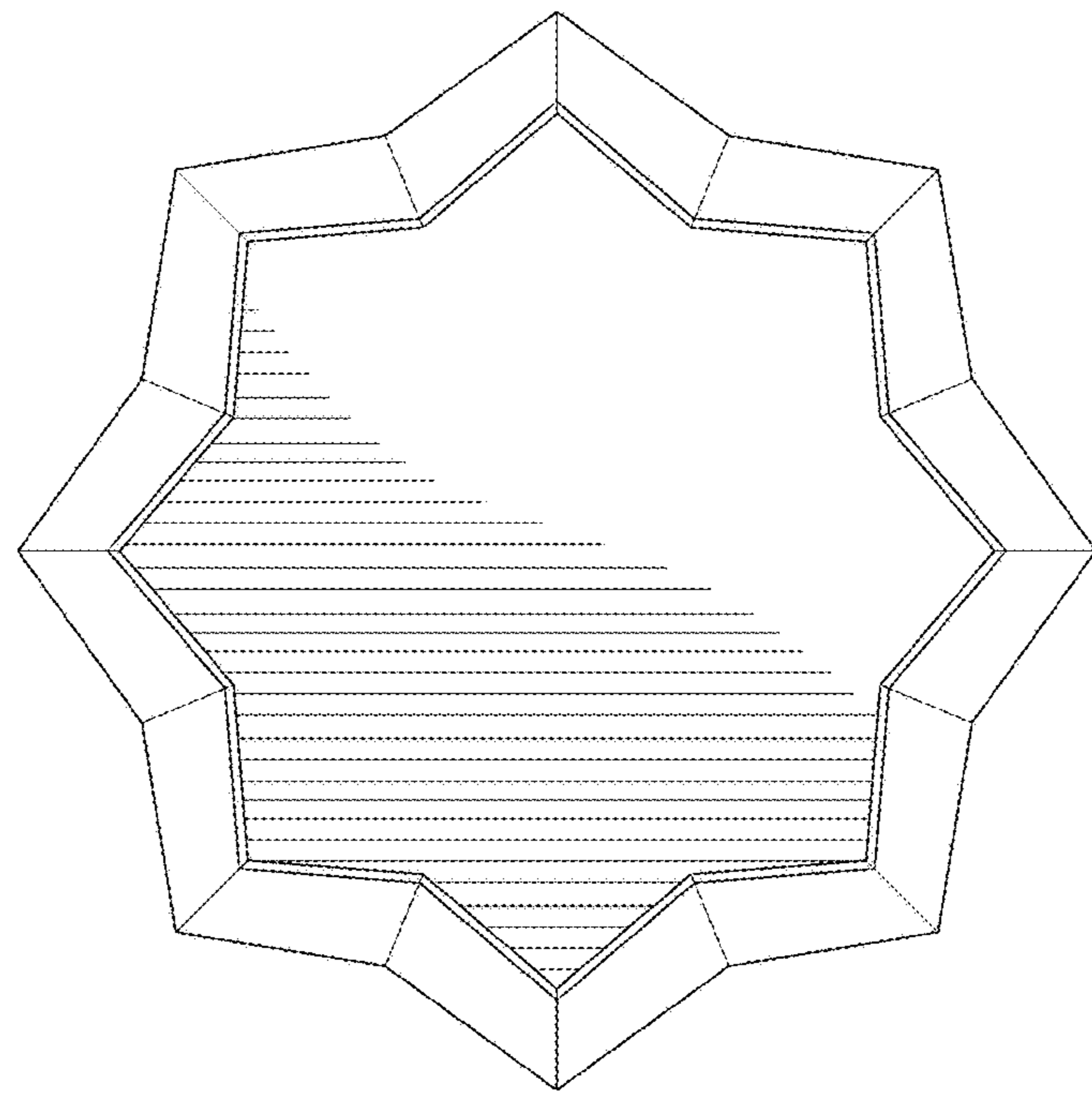


FIG. 7

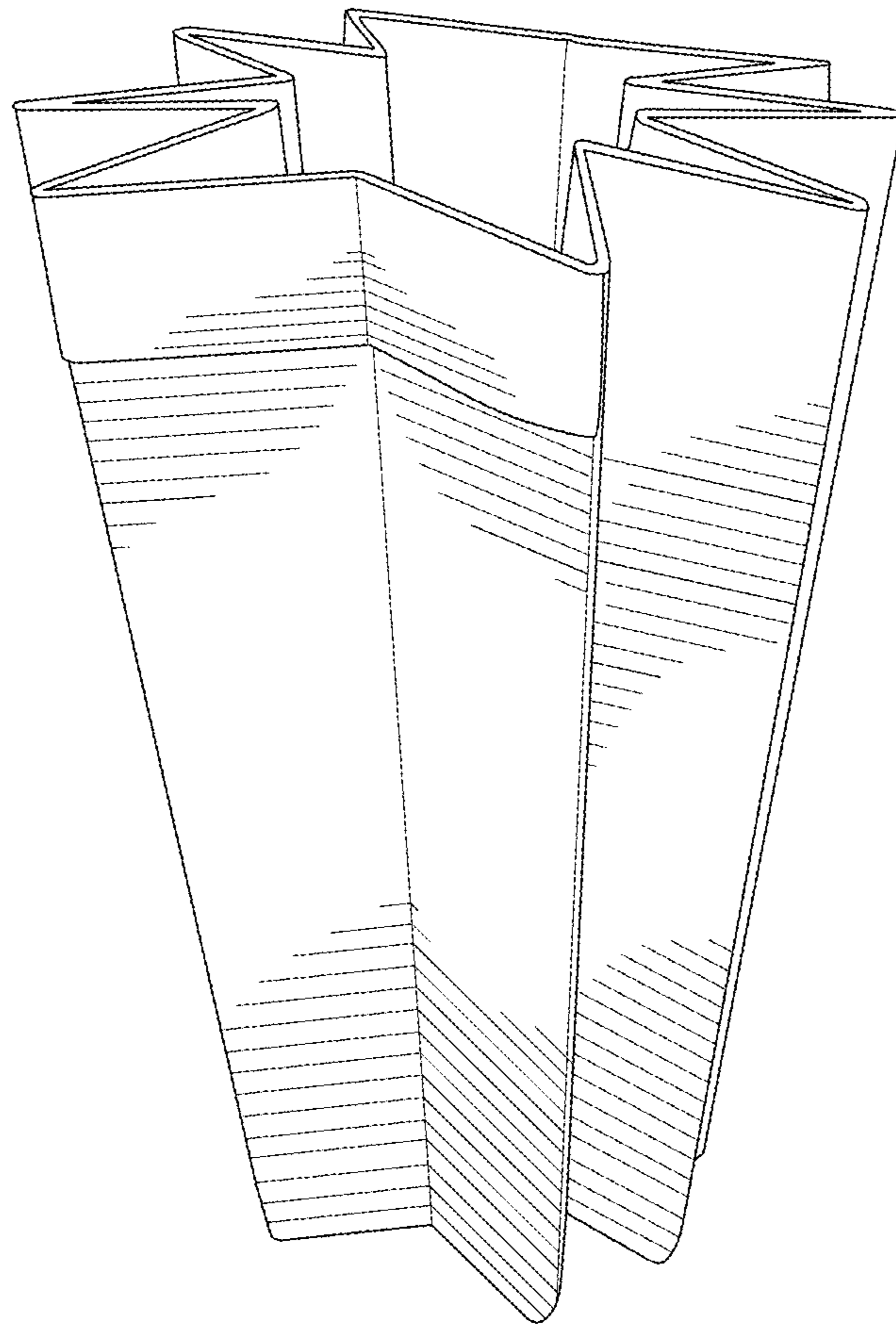


FIG. 8

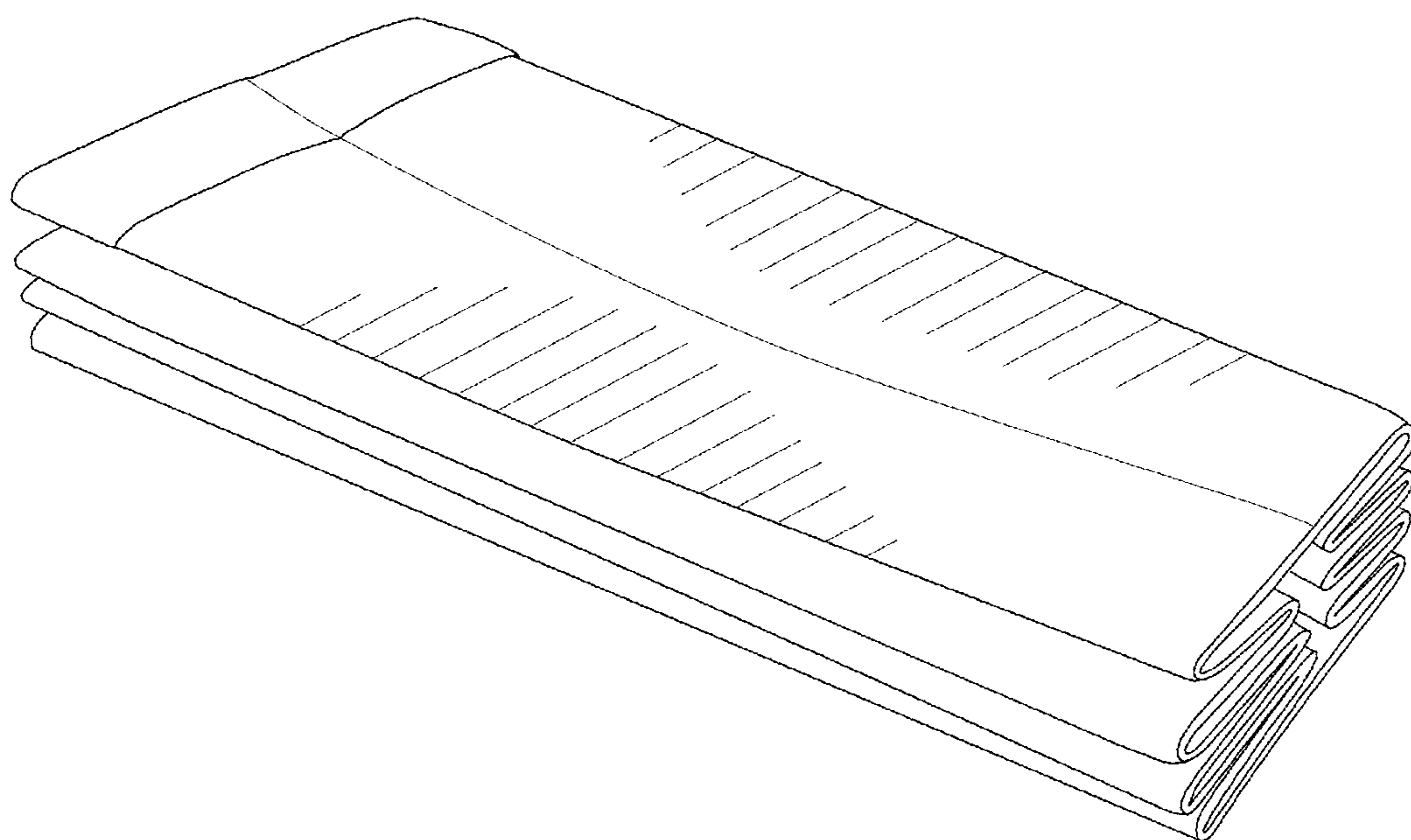


FIG. 9

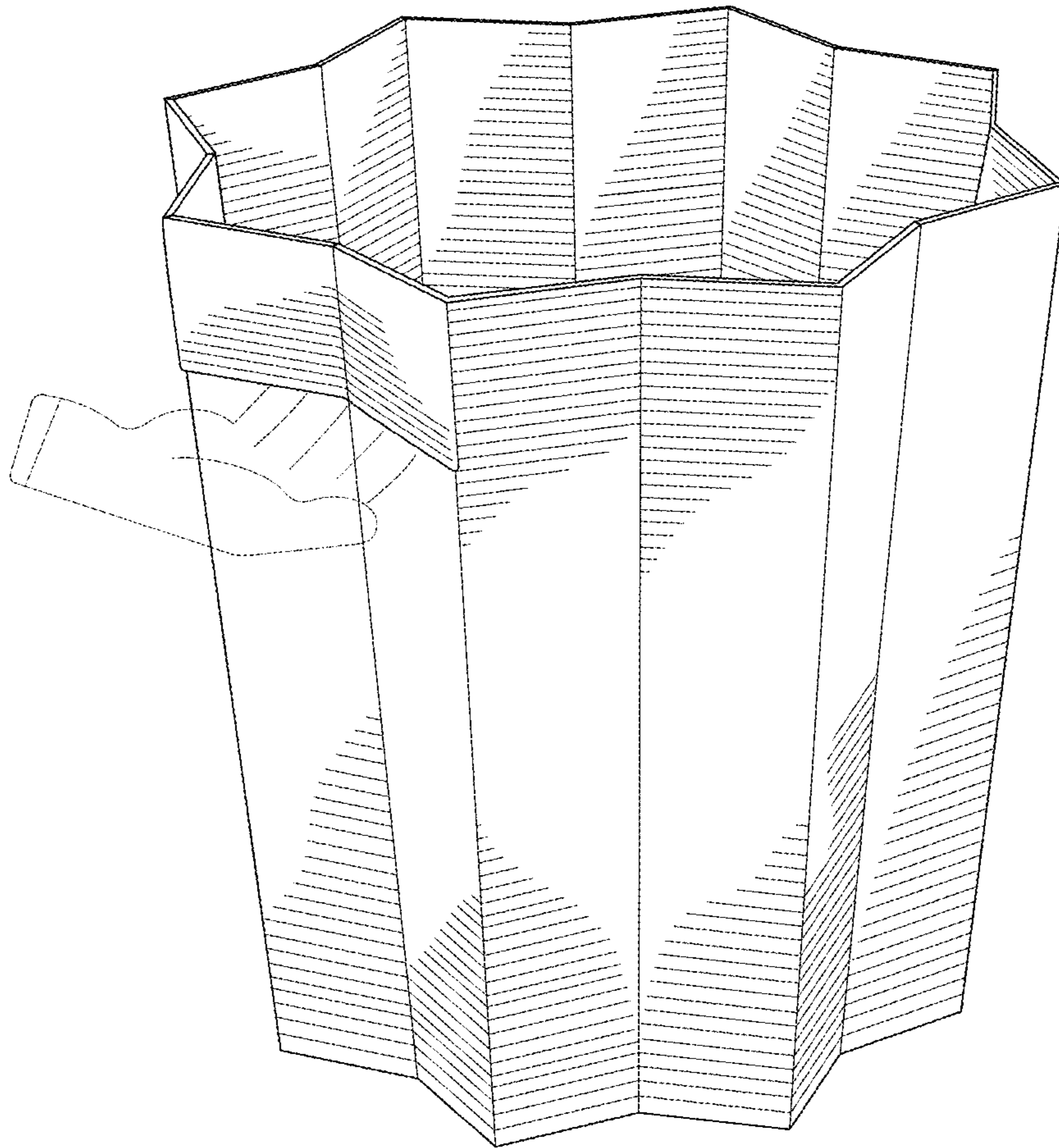


FIG. 10