



US00D813543S

(12) **United States Design Patent**
Wang

(10) **Patent No.:** **US D813,543 S**
(45) **Date of Patent:** **** Mar. 27, 2018**

(54) **STORAGE BASKET**

(71) Applicant: **Wen-Tsan Wang**, Taipei (TW)

(72) Inventor: **Wen-Tsan Wang**, Taipei (TW)

(**) Term: **15 Years**

(21) Appl. No.: **29/590,488**

(22) Filed: **Jan. 11, 2017**

(51) **LOC (11) Cl.** **03-01**

(52) **U.S. Cl.**
USPC **D3/305**

(58) **Field of Classification Search**
USPC D3/20, 304, 305, 307-30, 315, 318-324,
D3/327; D7/601
CPC .. A45C 1/024; A45C 3/06; B65D 1/00; B65D
1/38

See application file for complete search history.

(56) **References Cited**

U.S. PATENT DOCUMENTS

D448,927 S * 10/2001 Vazquez D3/244
D519,277 S * 4/2006 Gonzalez D3/239
D716,553 S * 11/2014 Wang D3/307
D725,899 S * 4/2015 Wang D3/232

D771,940 S * 11/2016 Wei D3/232
D783,287 S * 4/2017 Swartzel D3/305
2008/0230416 A1* 9/2008 Brouard B25H 3/02
206/372

* cited by examiner

Primary Examiner — Kelley Donnelly

(74) *Attorney, Agent, or Firm* — Leong C. Lei

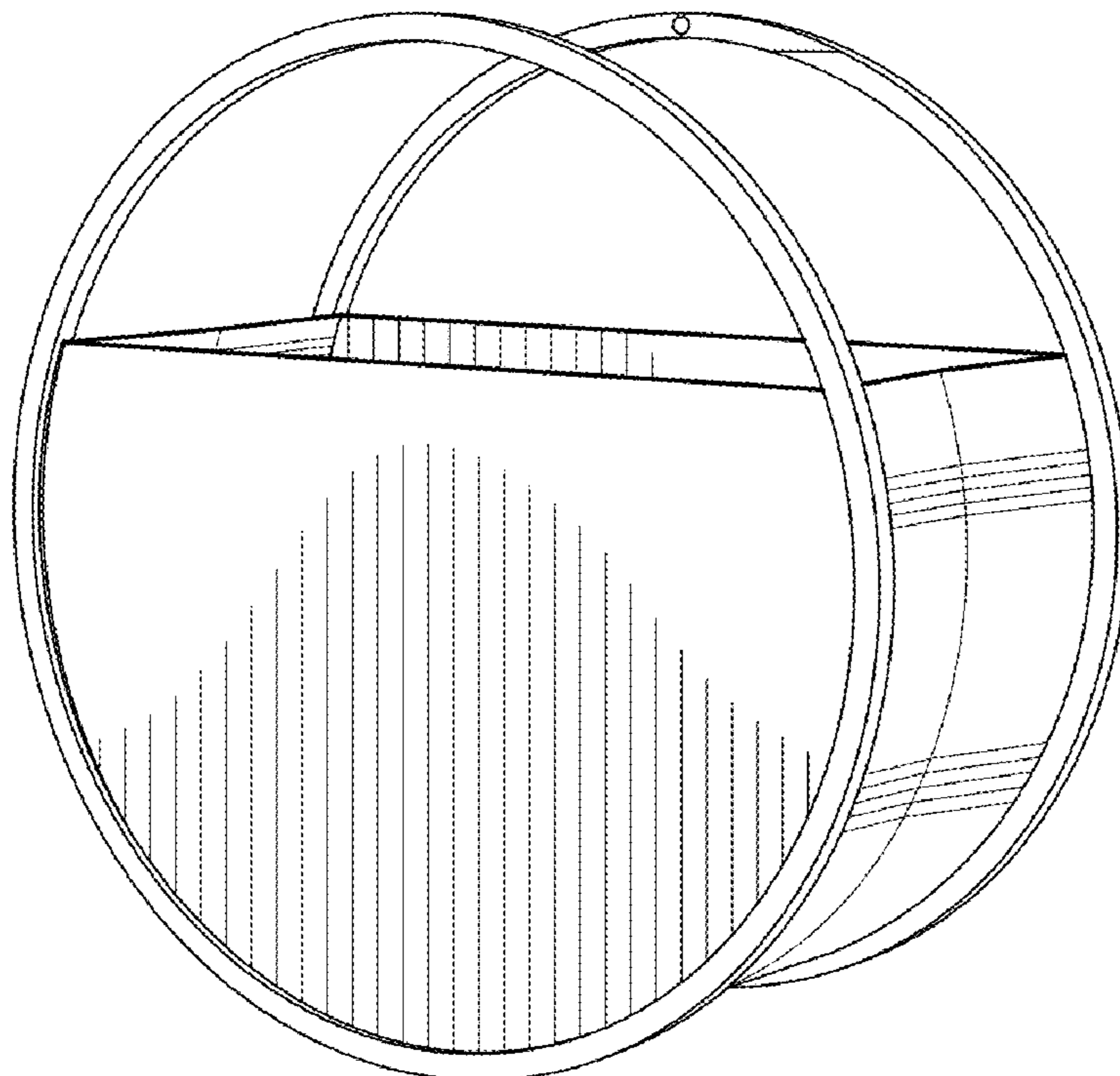
(57) **CLAIM**

The ornamental design for a storage basket, as shown and described.

DESCRIPTION

FIG. 1 is a front perspective view of a storage basket showing my new design;
FIG. 2 is a front elevational view thereof;
FIG. 3 is a rear elevational view thereof;
FIG. 4 is a left elevational view thereof;
FIG. 5 is a right elevational view thereof;
FIG. 6 is a top plan view thereof; and
FIG. 7 is a bottom plan view thereof.
FIG. 8 is another perspective view thereof, showing the status while in use; and,
FIG. 9 is another perspective view thereof, showing the status while in use.

1 Claim, 6 Drawing Sheets



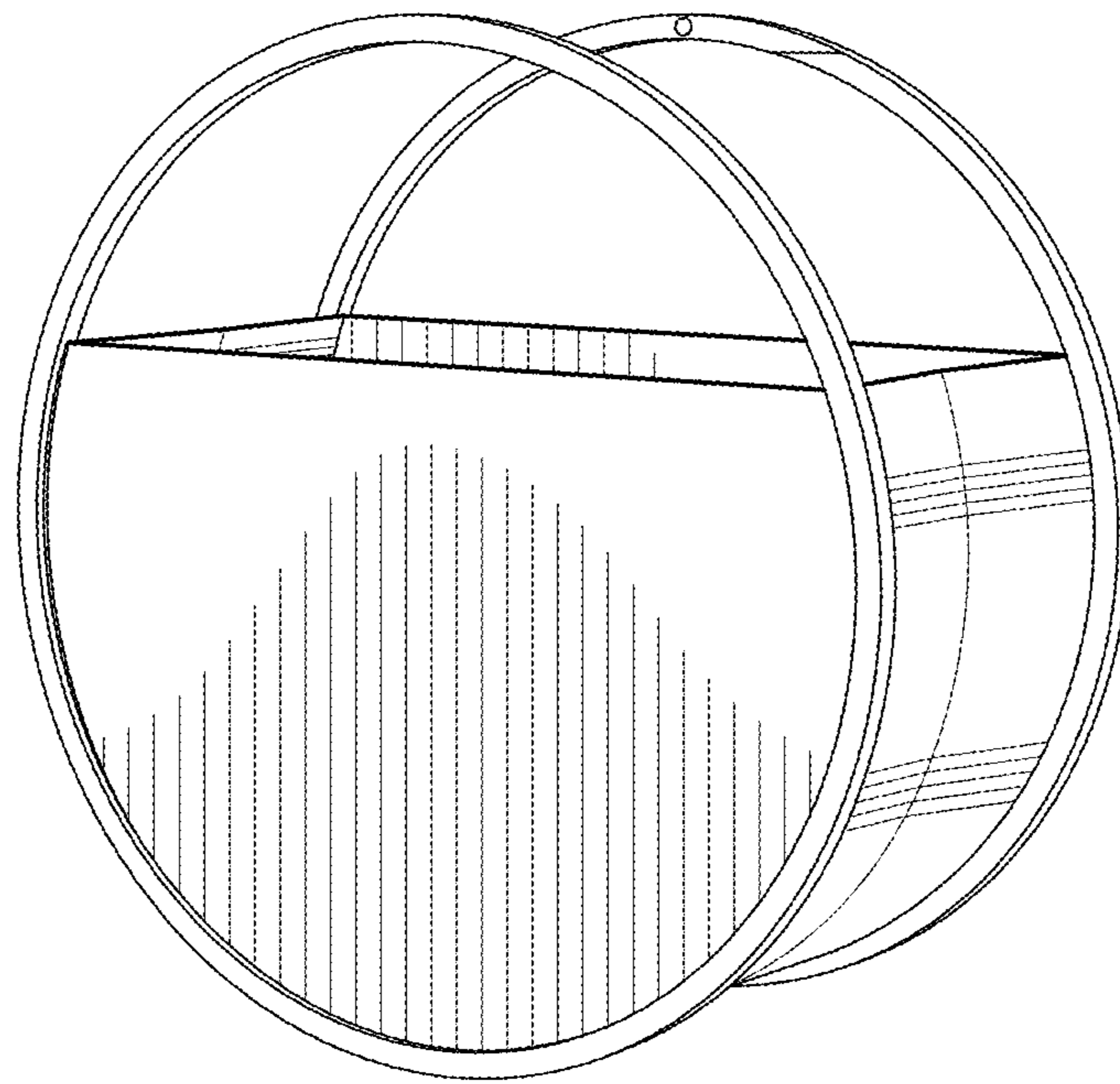


FIG. 1

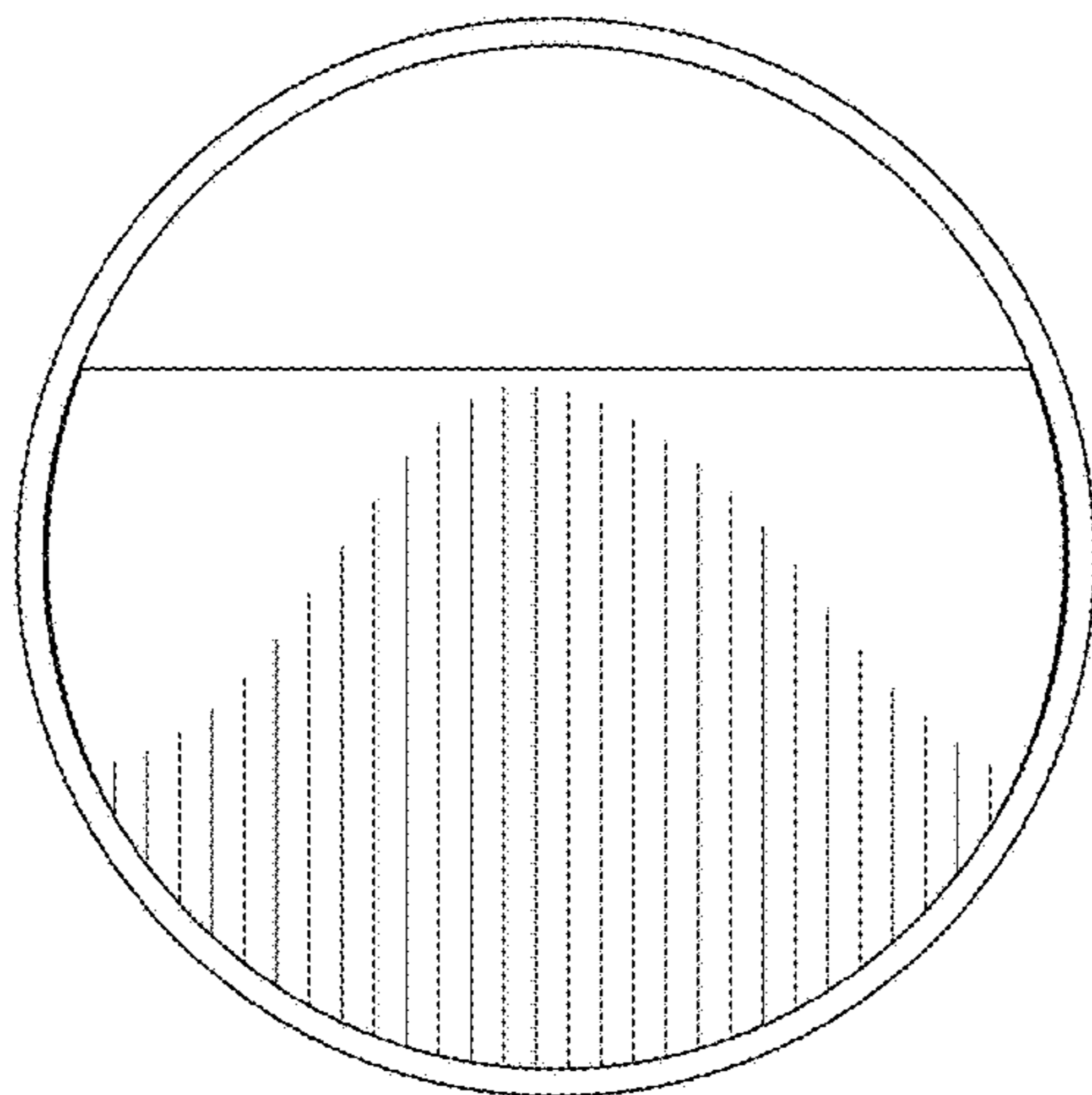


FIG. 2

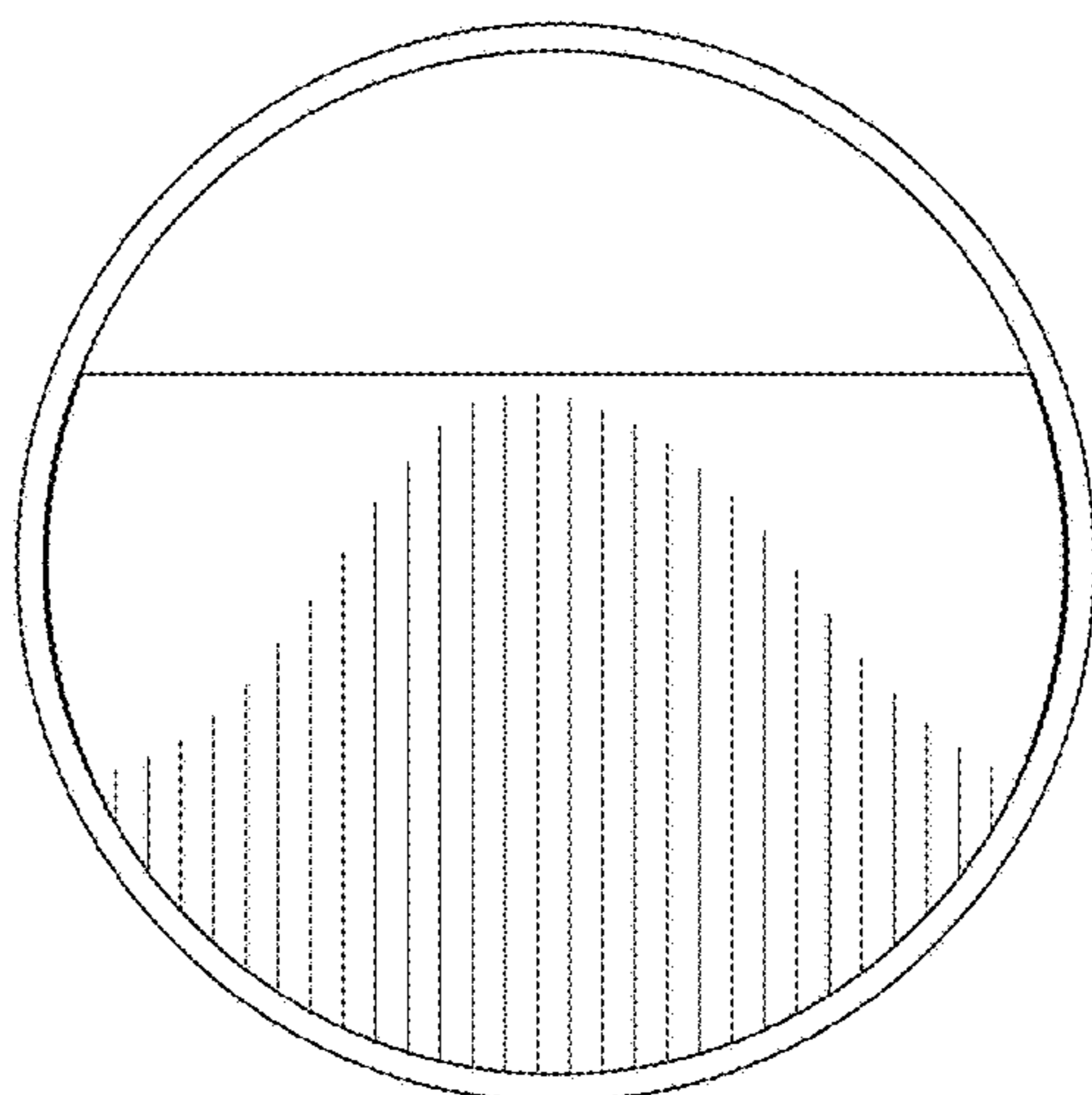


FIG. 3

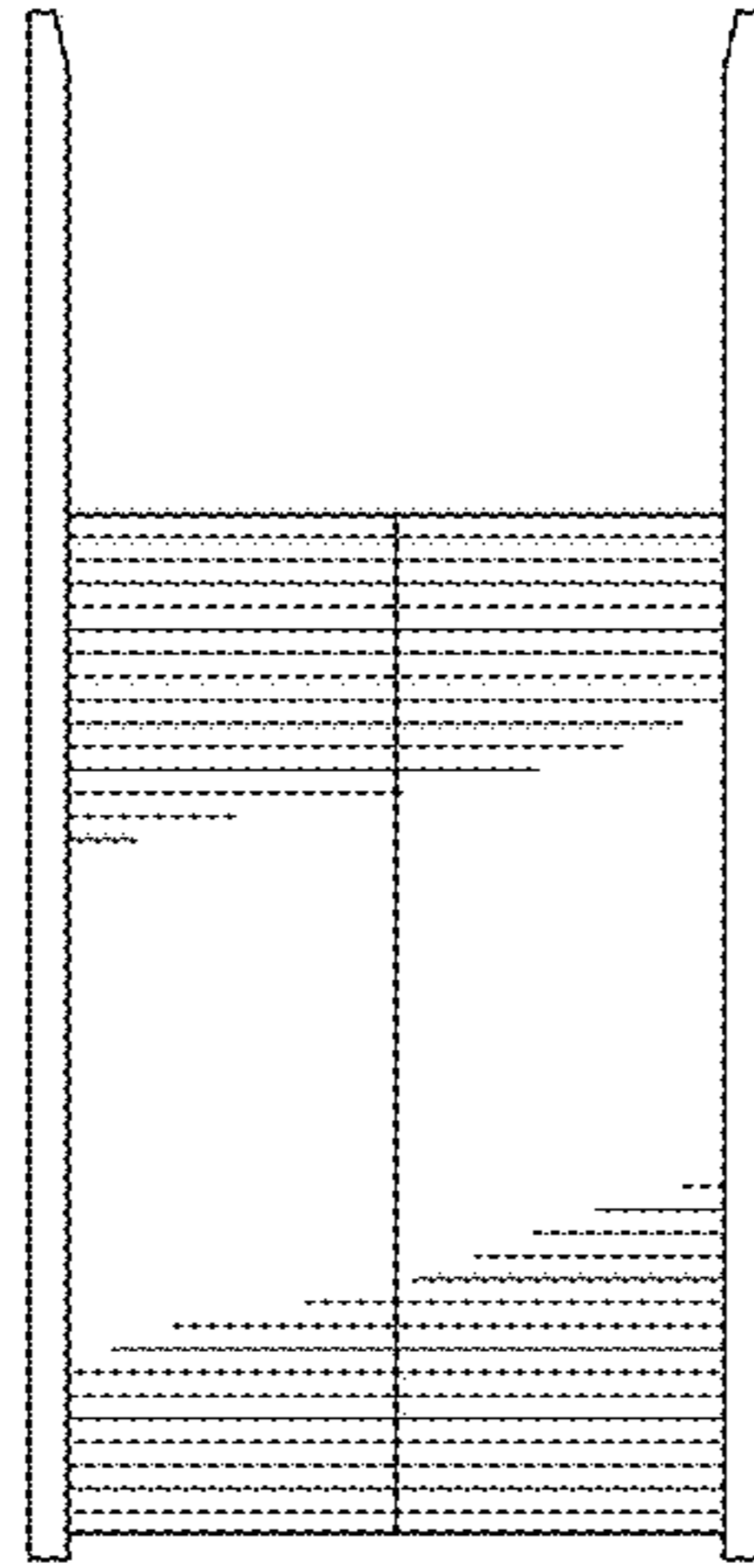


FIG. 4

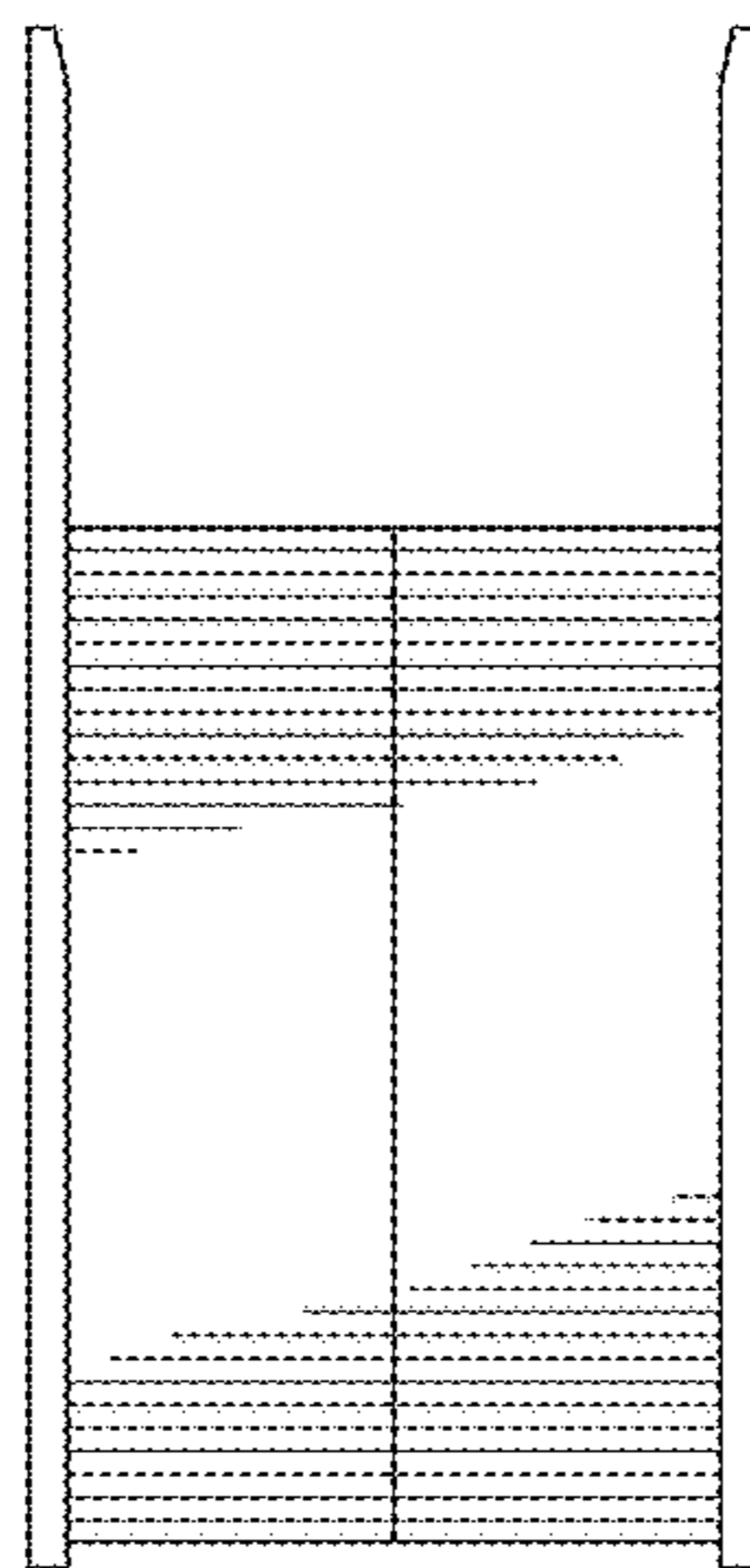


FIG. 5

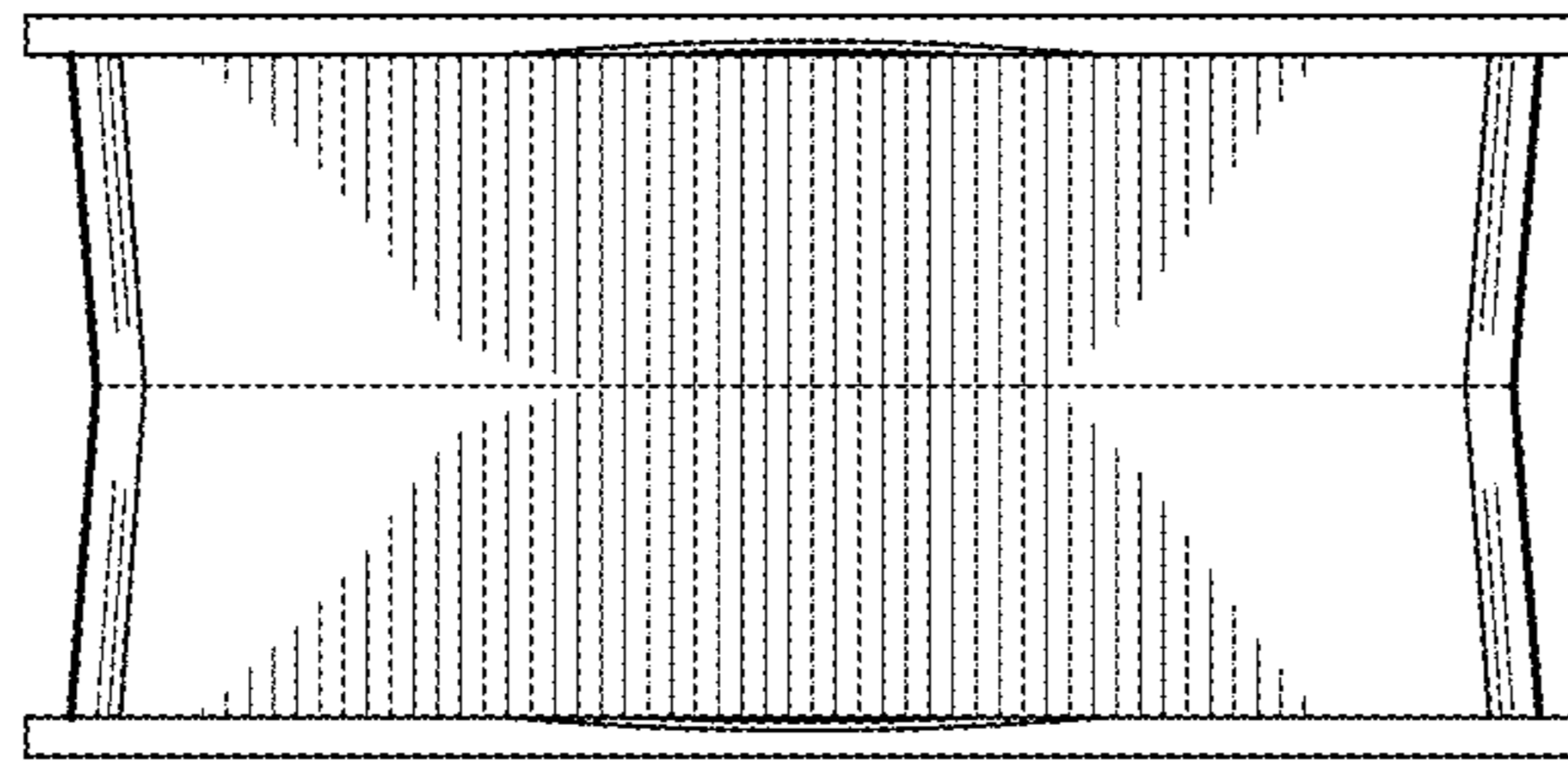


FIG. 6

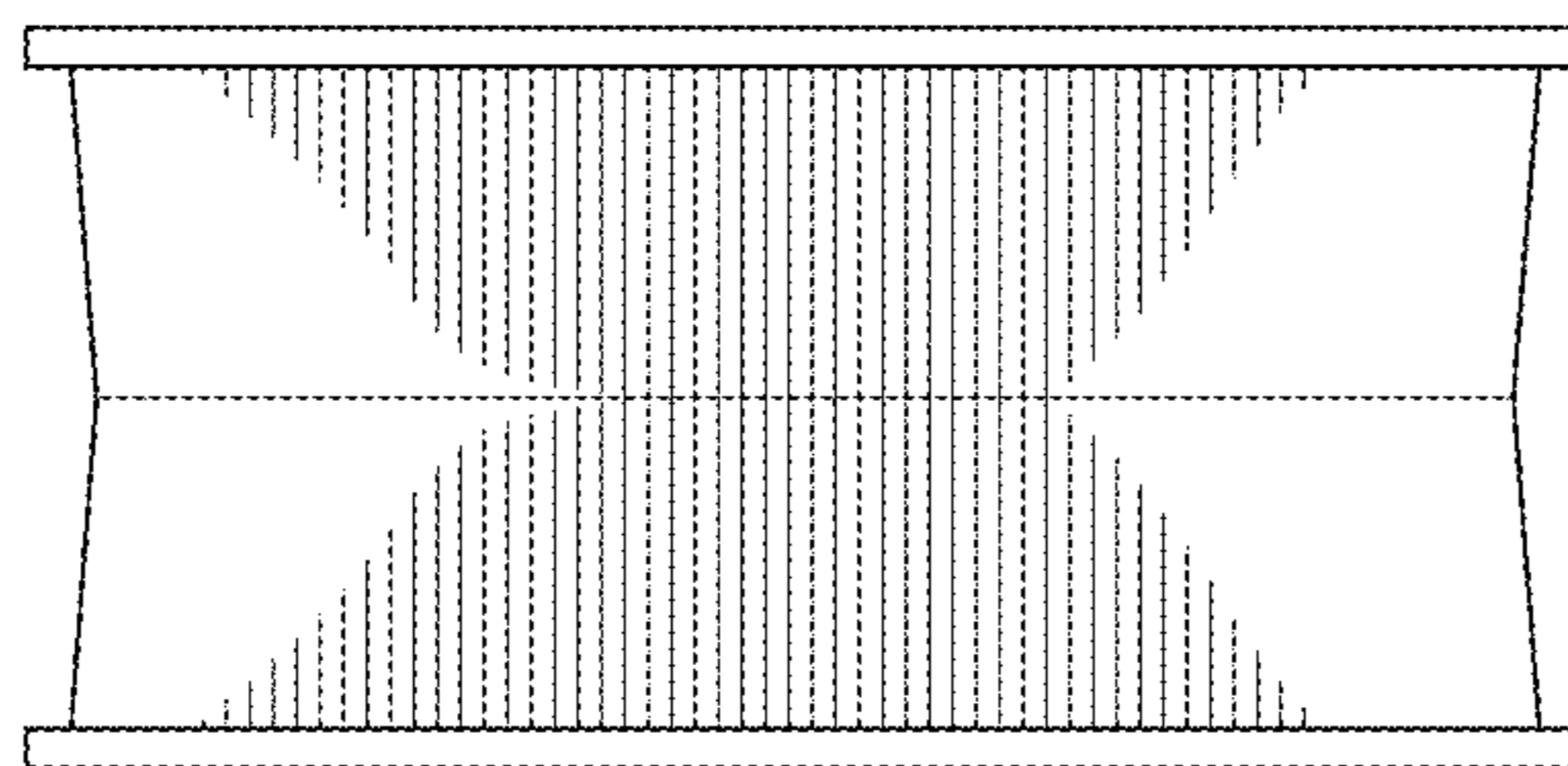


FIG. 7

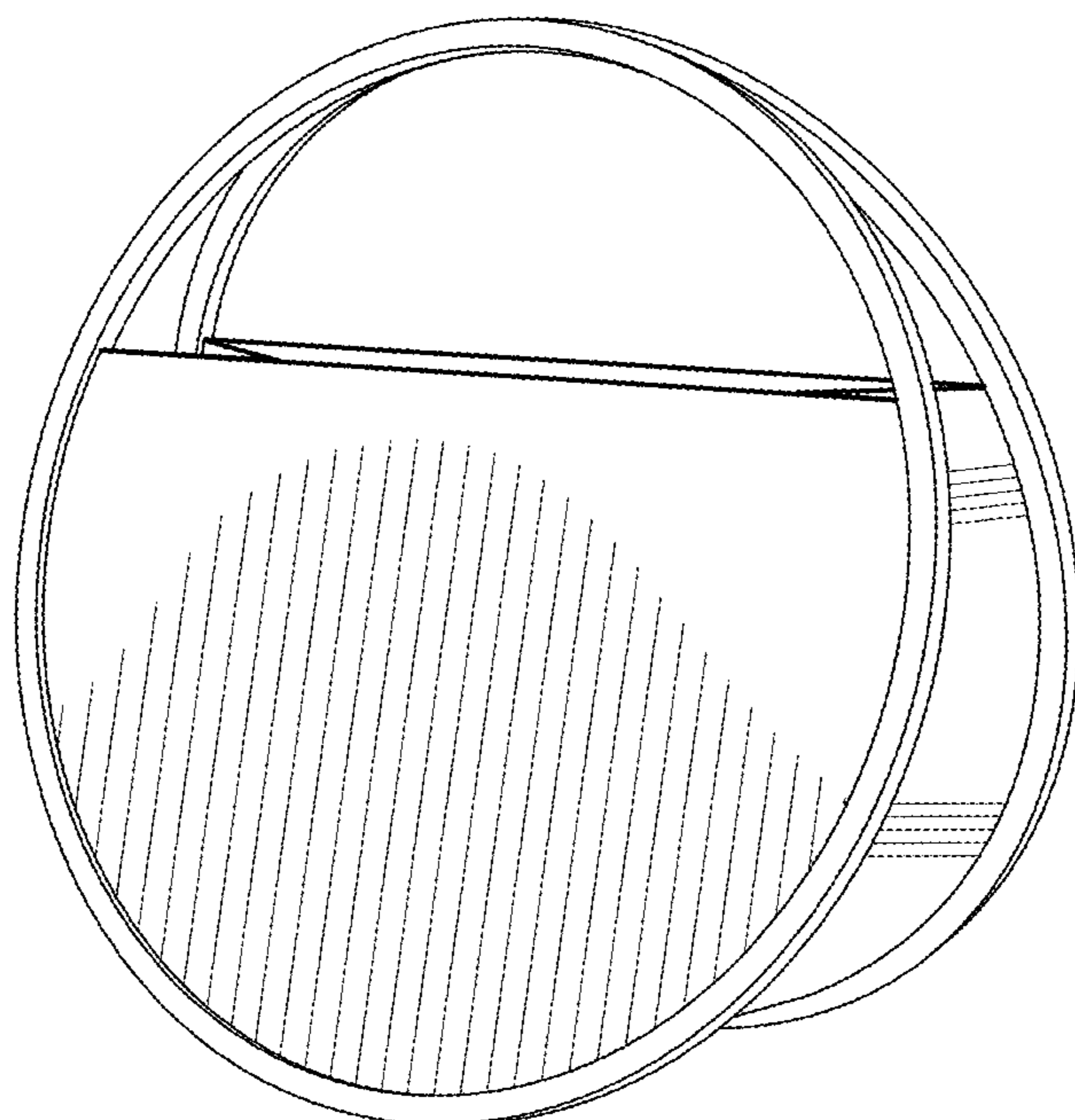


FIG. 8

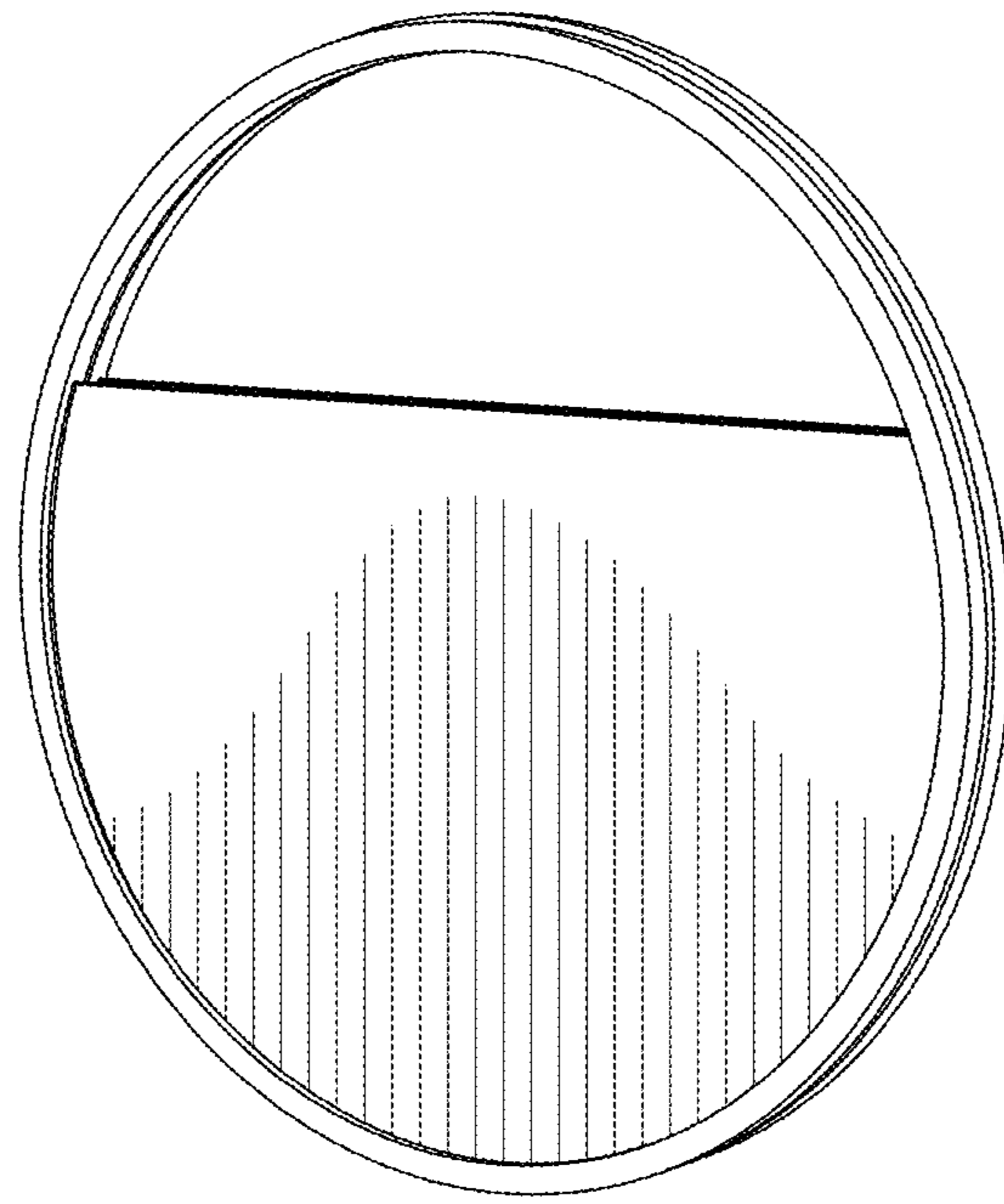


FIG. 9