



US00D813541S

(12) **United States Design Patent** (10) **Patent No.:** **US D813,541 S**
Levie (45) **Date of Patent:** **** Mar. 27, 2018**

- (54) **BASKET**
- (71) Applicant: **Discovery Inc.**, Ross, CA (US)
- (72) Inventor: **Mark Levie**, Corte Madera, CA (US)
- (73) Assignee: **DISCOVERY INC.**, Ross, CA (US)
- (**) Term: **15 Years**
- (21) Appl. No.: **29/560,243**
- (22) Filed: **Apr. 4, 2016**

- D376,231 S 12/1996 McLain
- D392,431 S 3/1998 Schallern
- D392,782 S 3/1998 McLain
- D401,024 S 11/1998 Seymour
- D401,065 S 11/1998 Peltola
- D405,268 S 2/1999 Apenes
- D406,698 S 3/1999 Miller
- D407,602 S 4/1999 Patel
- D423,284 S 4/2000 Fischer
- D425,275 S 5/2000 Delouvre et al.
- D433,548 S * 11/2000 Baines D32/37
- 6,161,718 A 12/2000 Monbo
- D440,020 S 4/2001 Ronson et al.
- D443,548 S 6/2001 Baines et al.
- 6,279,460 B1 8/2001 Pope
- D459,152 S 6/2002 Fischer et al.
- D460,660 S 7/2002 Fischer et al.

Related U.S. Application Data

- (63) Continuation of application No. 29/517,713, filed on Feb. 16, 2015, now Pat. No. Des. 752,864.
- (51) **LOC (11) Cl.** **03-01**
- (52) **U.S. Cl.**
USPC **D3/304**
- (58) **Field of Classification Search**
USPC D3/304–315, 318–319; D6/525, 672, 675
CPC B65D 1/34; B65D 21/00; B65D 21/02
See application file for complete search history.

Primary Examiner — Kelley Donnelly

(74) *Attorney, Agent, or Firm* — Medley, Behrens & Lewis, LLC; Lorri W. Cooper

(Continued)

(57) **CLAIM**

The ornamental design for a basket, as shown and described.

DESCRIPTION

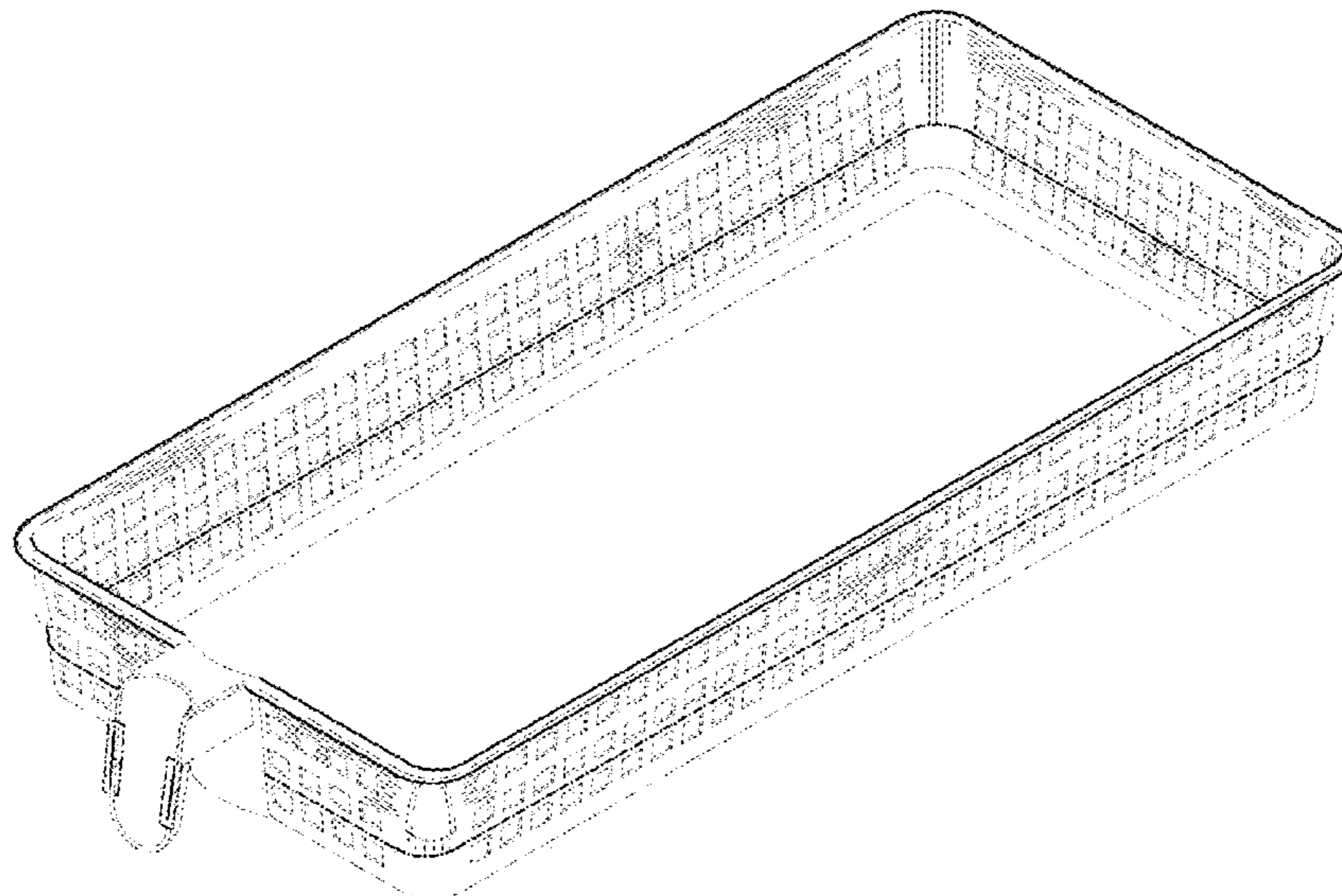
FIG. 1 is a perspective view of an example basket; FIG. 2 is a front plan view thereof; FIG. 3 is a rear plan view thereof; FIG. 4 is a right side plan view thereof, with the left side plan view being a mirror image thereof; FIG. 5 is a top plan view thereof; and, FIG. 6 is a bottom plan view thereof. The broken line showings of FIGS. 1-6 are for illustrative purposes only and form no part of the claimed design. The dash-dot-dash broken lines indicate the boundaries of what is considered to be the claimed design and the dash-dash broken lines show portions of the design that form no part of the claimed design.

(56) **References Cited**

U.S. PATENT DOCUMENTS

- 4,303,525 A 12/1981 Stover
- 4,309,939 A 1/1982 Stover
- D264,040 S 4/1982 Kunze
- 4,765,896 A 8/1988 Hartley et al.
- D305,274 S 12/1989 Yoshikawa
- D307,348 S 4/1990 Yoshikawa
- D326,550 S 5/1992 Waterman
- 5,197,613 A 3/1993 Kotlowski
- D341,286 S 11/1993 Grykiewicz et al.
- D351,266 S 10/1994 Licari
- D364,272 S * 11/1995 Brightbill D3/312
- D372,568 S 8/1996 Lippisch
- D372,583 S 8/1996 Brightbill

1 Claim, 4 Drawing Sheets



(56)

References Cited

U.S. PATENT DOCUMENTS

D462,149 S	8/2002	Hall		D604,769 S	11/2009	Chen et al.	
D481,179 S *	10/2003	Wendt	D3/309	D629,682 S	12/2010	Overgaag	
D486,355 S	2/2004	Lyall, III		D633,270 S	2/2011	Gimeno et al.	
D504,017 S *	4/2005	Zimmerman	D3/309	D634,482 S	3/2011	Sullivan	
D512,223 S	12/2005	Snell		D635,363 S	4/2011	Hertaus	
7,021,198 B1	4/2006	Lyall, III		D636,952 S	4/2011	Baldwin et al.	
D530,919 S *	10/2006	Snell	D3/304	D641,266 S	7/2011	Tamura et al.	
D533,327 S	12/2006	McCaskill		D648,535 S	11/2011	Reinhart et al.	
D546,511 S	7/2007	Luster		D655,506 S	3/2012	Humm et al.	
D547,064 S *	7/2007	Snell	D3/304	D659,398 S	5/2012	Wood	
D549,454 S	8/2007	Ahman		D664,004 S	7/2012	Benishai	
D550,912 S	9/2007	Kempske		D665,848 S	8/2012	Lee	
D555,476 S	11/2007	Nielsen		8,317,019 B2	11/2012	Cruce et al.	
D559,621 S	1/2008	Raichlen et al.		D672,961 S	12/2012	Turner	
D574,179 S	8/2008	DeLuca		D675,825 S	2/2013	Levie	
D578,308 S	10/2008	Simas		D677,851 S	3/2013	Harris	
D584,020 S	12/2008	McNamara		D685,994 S	7/2013	Chen	
D586,558 S	2/2009	Ziemann et al.		D688,870 S	9/2013	Levie	
D603,197 S	11/2009	Hrovat		D689,946 S	9/2013	Hu	
				D710,612 S	8/2014	Kolano	
				D720,931 S	1/2015	Levie	
				D756,167 S *	5/2016	Dudek	D7/584

* cited by examiner

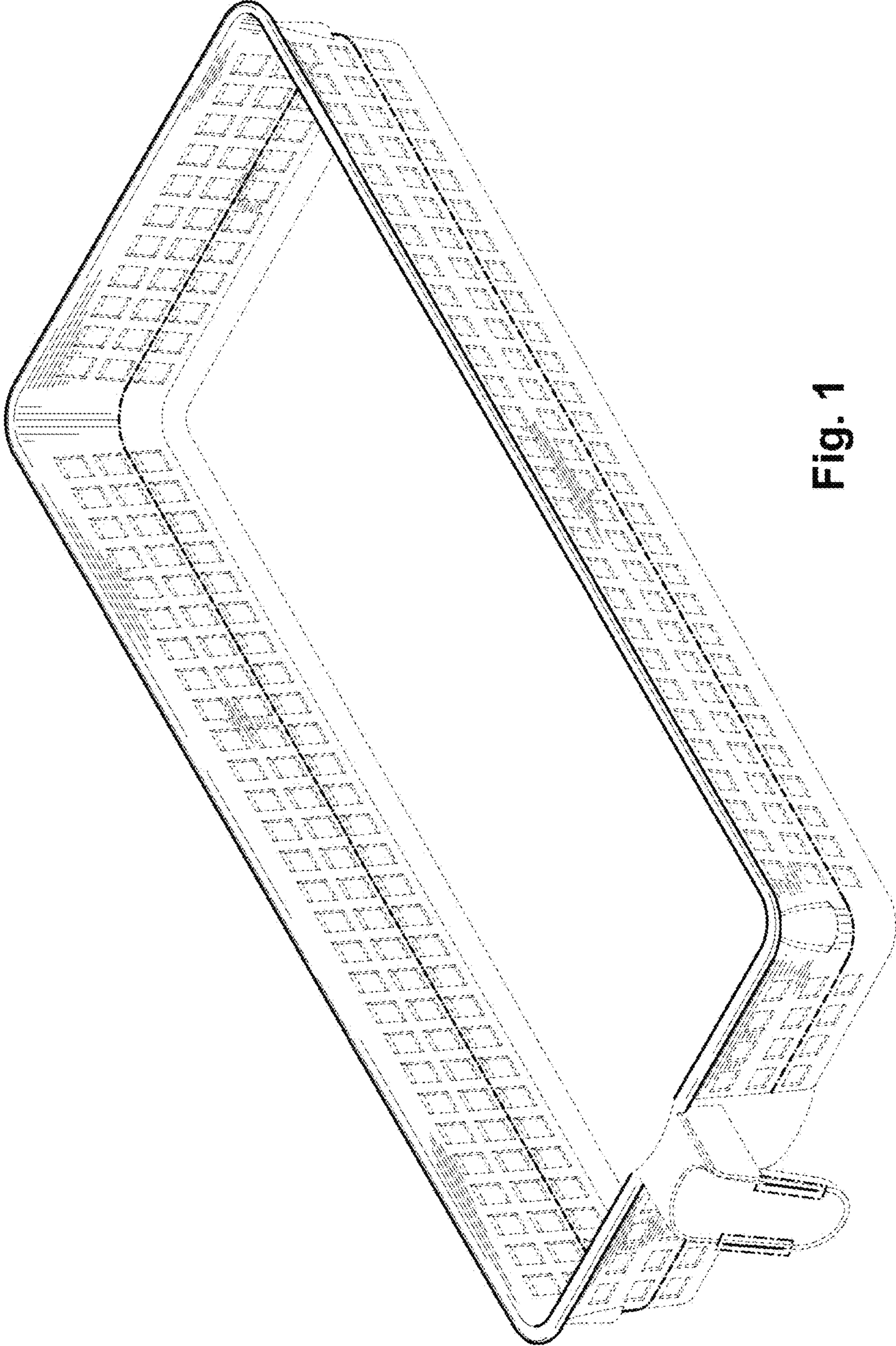


Fig. 1

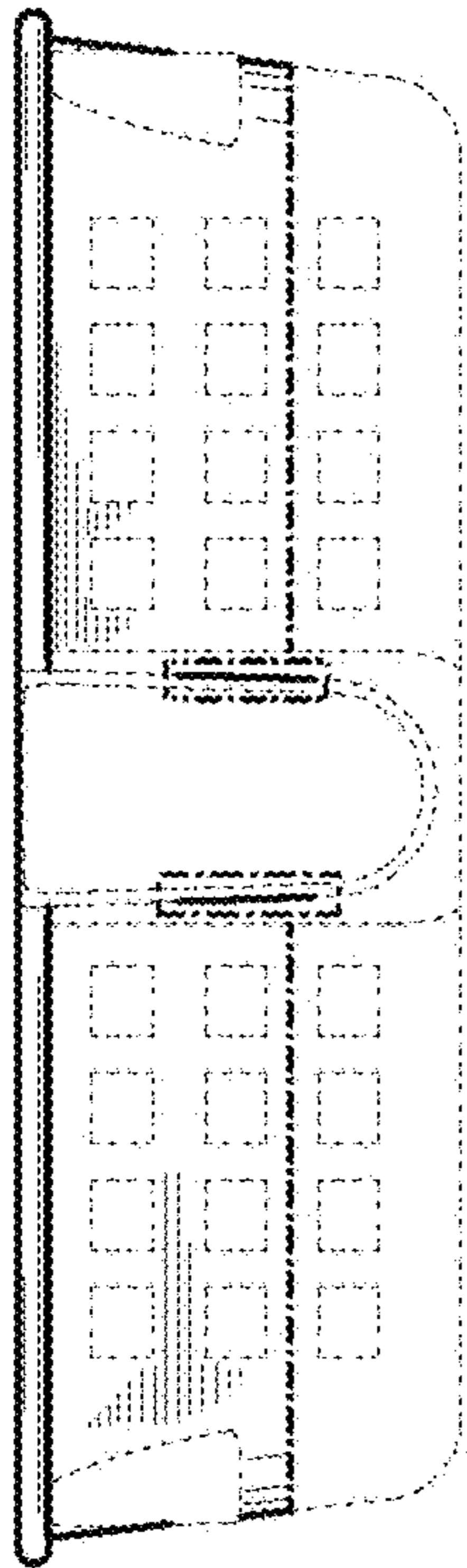


Fig. 2

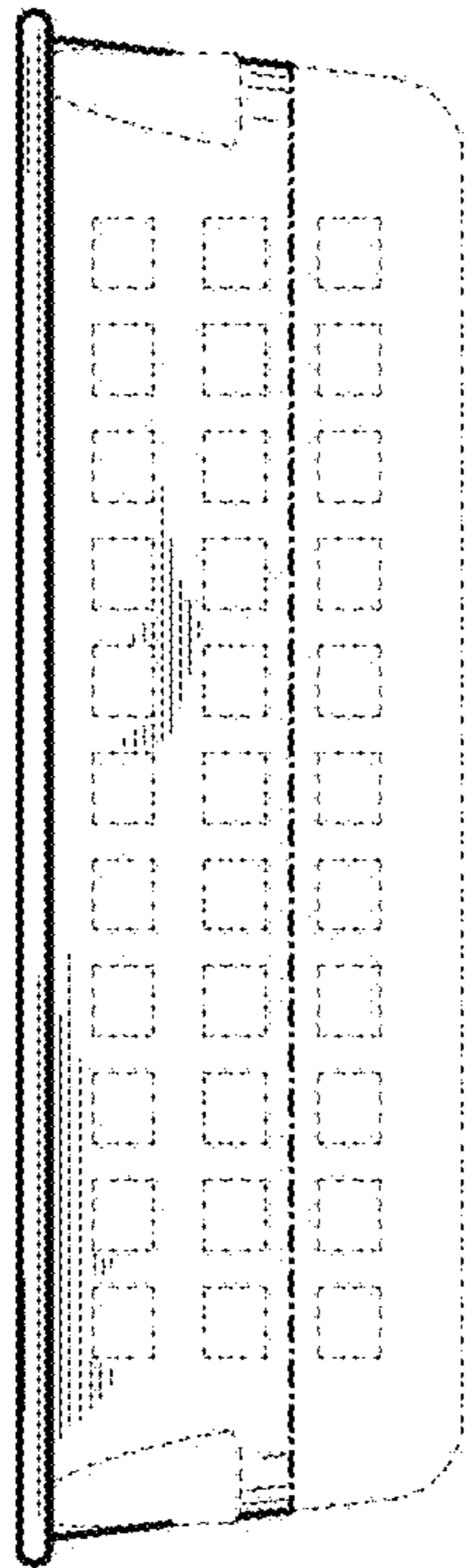


Fig. 3

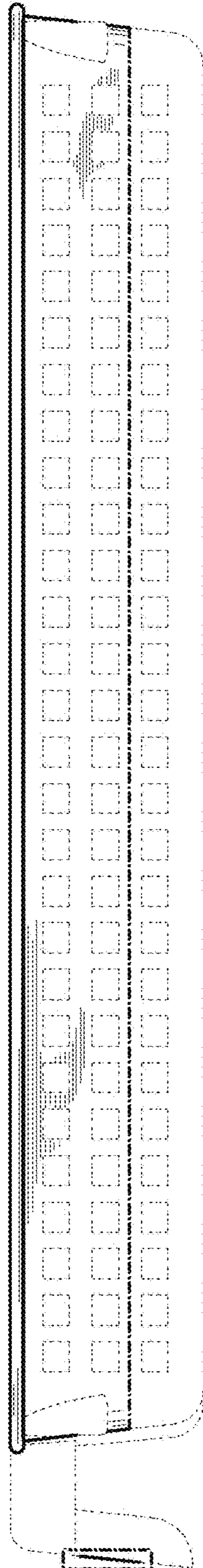


Fig. 4

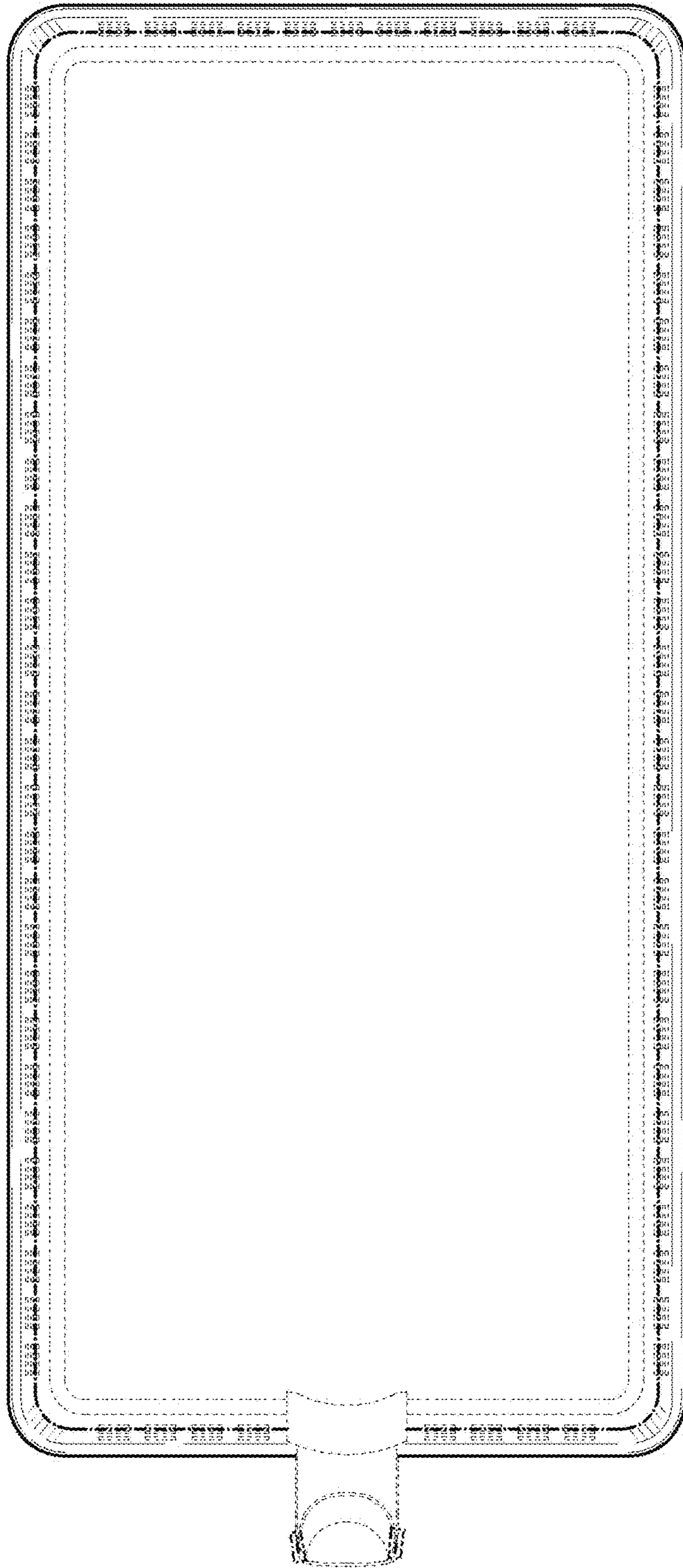


Fig. 5

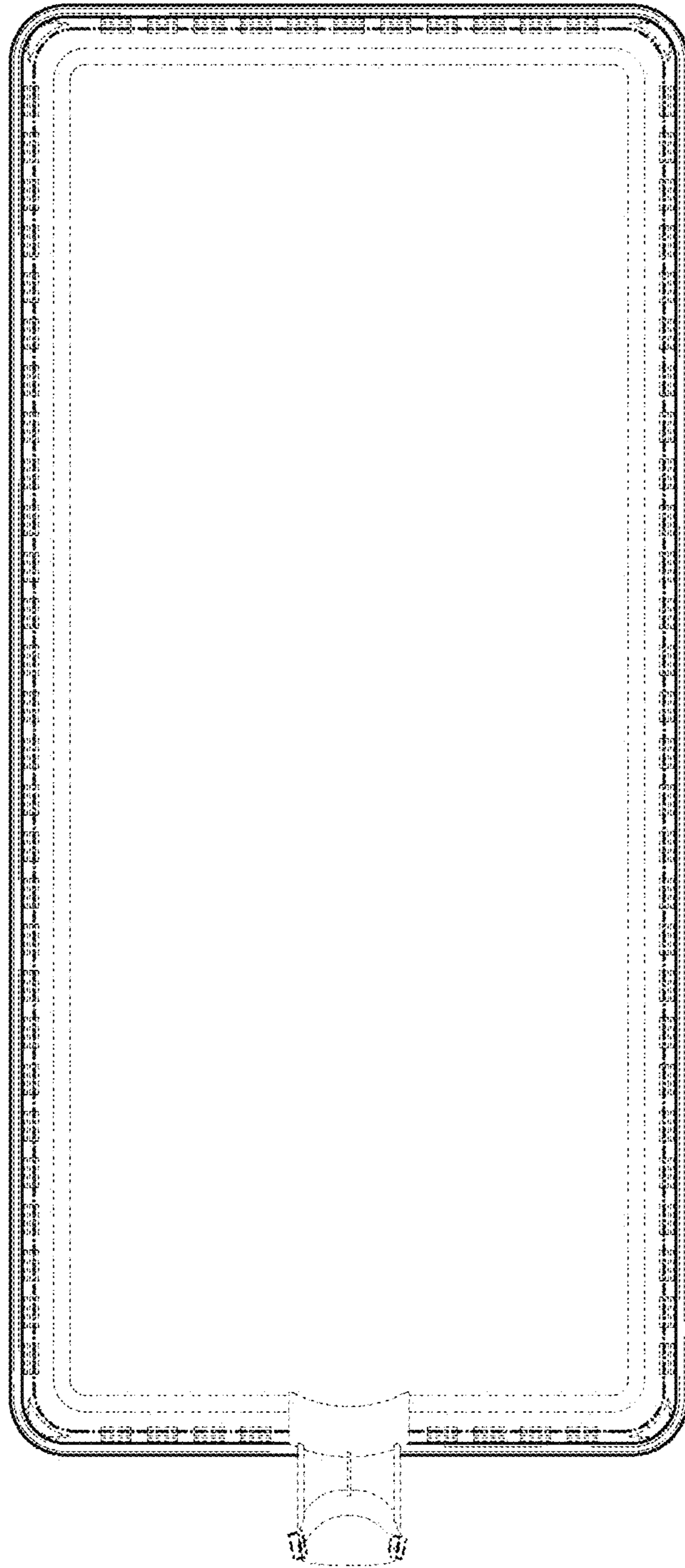


Fig. 6