



US00D813539S

(12) **United States Design Patent**
Van Assche

(10) **Patent No.:** **US D813,539 S**
(45) **Date of Patent:** **** Mar. 27, 2018**

(54) **BRIEFCASE**

D759,970 S * 6/2016 Dumas D3/276
D761,564 S * 7/2016 Rhodes D3/284
D771,942 S * 11/2016 Wu D3/289

(71) Applicant: **Christian Dior Couture S.A.**, Paris
(FR)

(Continued)

(72) Inventor: **Kris Van Assche**, Paris (FR)

OTHER PUBLICATIONS

(73) Assignee: **CHRISTIAN DIOR COUTURE S.A.**,
Paris (FR)

Dior, "Lead Grey Leather Briefcase", "Winter 2016 Collection",
Accessed on Feb. 1, 2017. (http://www.dior.com/couture/en_us/mens-fashion/leather-goods/all-the-bags/lead-grey-leather-briefcase-11-32396).*

(**) Term: **15 Years**

(Continued)

(21) Appl. No.: **29/550,566**

(22) Filed: **Jan. 5, 2016**

Primary Examiner — Jennifer Rivard

Assistant Examiner — April Rivas

(30) **Foreign Application Priority Data**

Jul. 9, 2015 (WO) DM/088170

(51) **LOC (11) Cl.** **03-01**

(52) **U.S. Cl.**
USPC **D3/283; D3/289; D3/900**

(58) **Field of Classification Search**

USPC D3/273, 276, 284, 283, 285, 287, 289,
D3/290, 900, 902, 904, 217, 243, 232
CPC A45C 2003/007; A45C 2003/008; A45C
3/02; A45C 7/0059; A45C 3/00

See application file for complete search history.

(74) *Attorney, Agent, or Firm* — Brinks Gilson & Lione;
G. Peter Nichols

(57) **CLAIM**

The ornamental design for a briefcase, as shown and
described.

(56) **References Cited**

U.S. PATENT DOCUMENTS

D288,623 S * 3/1987 Valaguzza D3/289
D329,330 S * 9/1992 Pardo D3/290
D390,004 S * 2/1998 Tawil D3/232
D416,681 S * 11/1999 Imbert D3/290
D422,410 S * 4/2000 Bischoff D3/276
D458,749 S * 6/2002 Bruni D3/276
D468,101 S * 1/2003 Hassett D3/283
D485,065 S * 1/2004 Pelleg D3/276
D504,229 S * 4/2005 Duvigneau D3/243
D568,047 S * 5/2008 Brancky D3/284
D668,456 S * 10/2012 Du D3/285
D755,511 S * 5/2016 Maier D3/232

DESCRIPTION

FIG. 1 is a front perspective view of a briefcase showing my
new design;
FIG. 2 is a rear perspective view thereof;
FIG. 3 is a front elevational view thereof;
FIG. 4 is a rear elevational view thereof;
FIG. 5 is a left side elevational view thereof;
FIG. 6 is a right side elevational view thereof;
FIG. 7 is a top plan view thereof;
FIG. 8 is a bottom plan view thereof with the handles in a
different configuration; and,
FIG. 9 is an enlarged partial view of a portion of the
briefcase shown in FIG. 3.
The dot-dash broken lines in FIG. 9 that surround and
illustrate the boundaries of the enlarged detail view form no
part of the claimed design. The broken lines shown on the
surface of the briefcase represent stitching and are part of the
claimed design.

1 Claim, 8 Drawing Sheets



(56)

References Cited

U.S. PATENT DOCUMENTS

D775,825 S * 1/2017 Chehebar D3/276
2007/0274613 A1 * 11/2007 Pruchnicki A45C 7/0077
383/110
2016/0120280 A1 * 5/2016 Dingler A45C 3/02
224/608

OTHER PUBLICATIONS

Borlino, "The Treviso Soft Italian Leather Briefcase—Onyx Black", Reviewed on Dec. 5, 2013. Accessed Feb. 1, 2017. (<https://borlino.com/collections/briefcases/the-treviso-soft-briefcase-onyx-calf.html>).*

* cited by examiner

FIG. 1



FIG. 2



FIG. 3

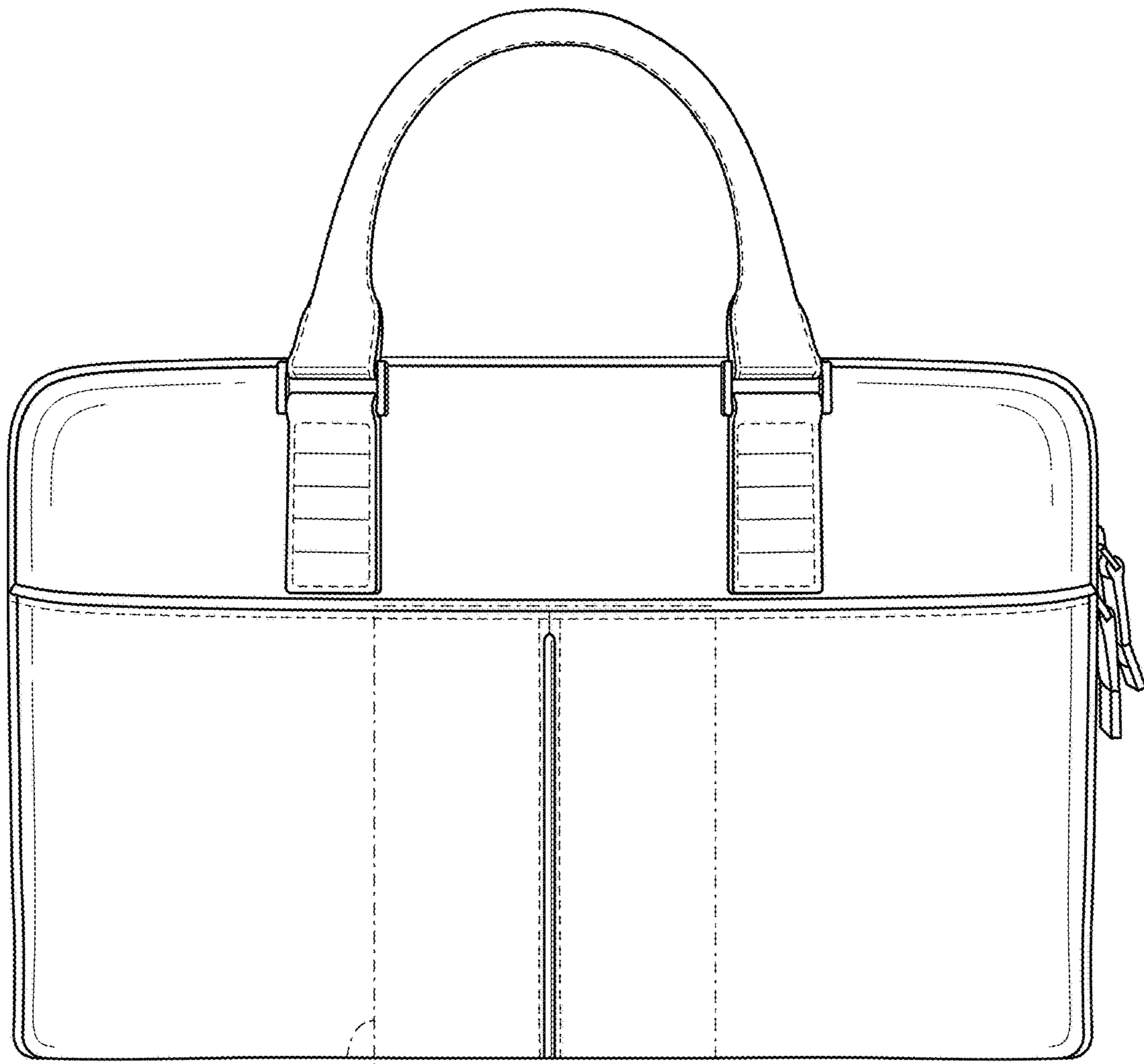


FIG. 9

FIG. 4



FIG. 5

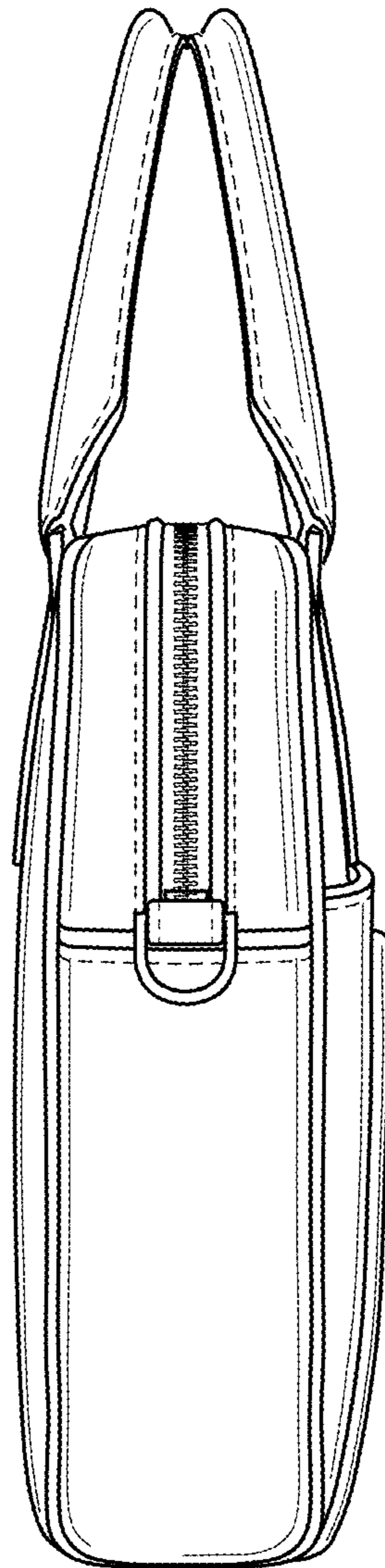


FIG. 6

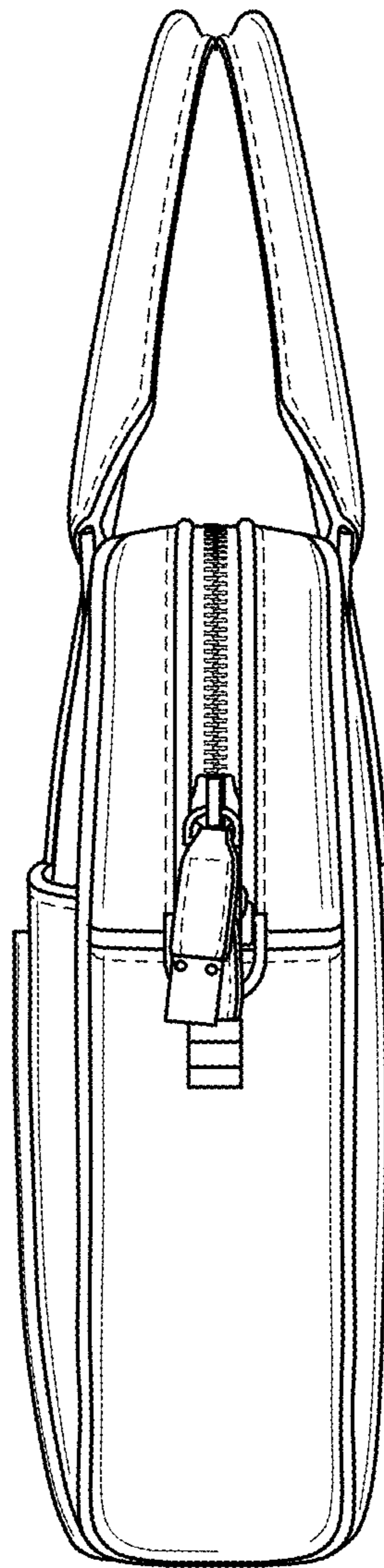


FIG. 7

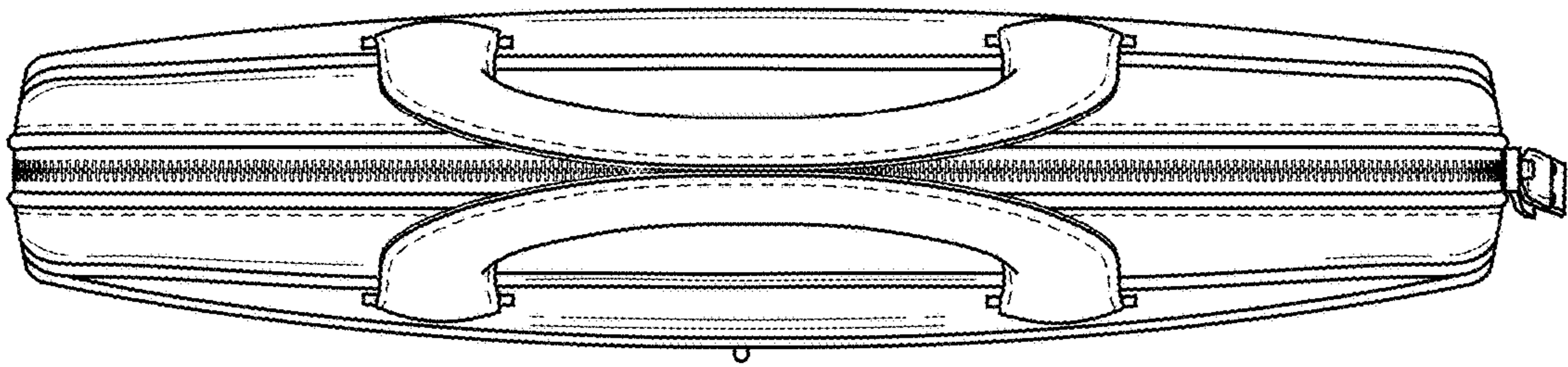


FIG. 8

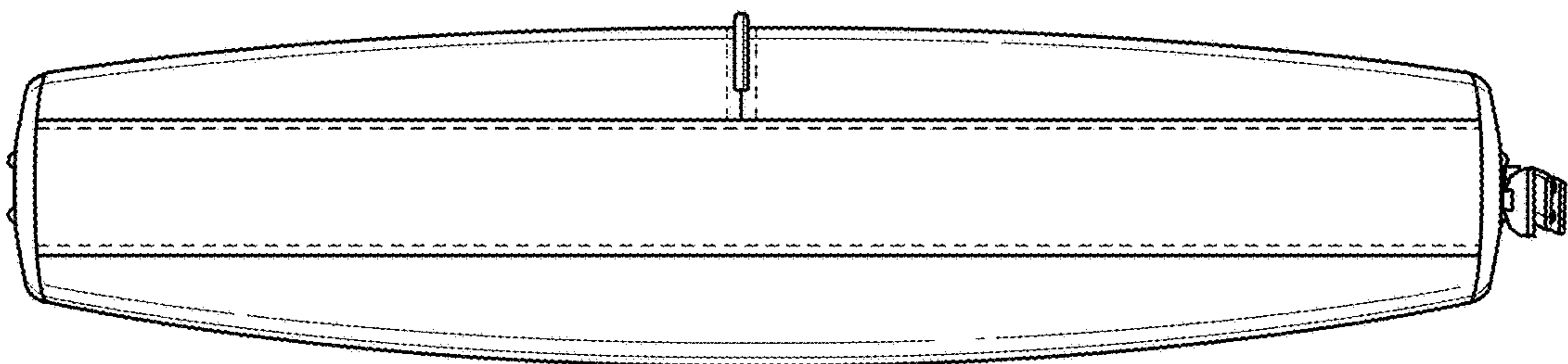


FIG. 9

