



US00D813538S

(12) **United States Design Patent**
Gabrielyan

(10) **Patent No.:** **US D813,538 S**
(45) **Date of Patent:** **** Mar. 27, 2018**

- (54) **CASE**
- (71) Applicant: **Sos Gabrielyan**, Seatac, WA (US)
- (72) Inventor: **Sos Gabrielyan**, Seatac, WA (US)
- (73) Assignee: **Sos Gabrielyan**
- (**) Term: **15 Years**
- (21) Appl. No.: **29/570,594**
- (22) Filed: **Jul. 9, 2016**
- (51) **LOC (11) Cl.** **03-01**
- (52) **U.S. Cl.**
USPC **D3/282; D3/905**
- (58) **Field of Classification Search**
USPC D3/206, 262, 271.8, 274, 273, 276, 282,
D3/284, 294, 298, 302, 315, 901, 905,
D3/904, 201
CPC B25H 3/003; A45C 2011/002; A45C
2011/003; A45C 2011/007; A45C 11/16;
A45C 11/36; A45C 11/34; A45C 15/00;
A45D 2040/0012; A45D 40/24
See application file for complete search history.

D563,671 S *	3/2008	Cornwell	D3/294
D617,987 S *	6/2010	Wang	D3/294
D624,315 S *	9/2010	Amatrudo	D3/276
D645,663 S *	9/2011	Henley	D3/294
D668,873 S *	10/2012	Robinson	D3/293
D669,684 S *	10/2012	Johnson	D3/284
D691,146 S *	10/2013	Perez	
D726,416 S *	4/2015	Gabrielyan	D3/282
D739,141 S *	9/2015	Gabrielyan	D3/282

OTHER PUBLICATIONS

2aHawaii forum, "Clear Beretta Gun case", Posted Mar. 11, 2016, Accessed May 25, 2017. (<https://2ahawaii.com/index.php?topic=22330.0>).*

* cited by examiner

Primary Examiner — Jennifer Rivard
Assistant Examiner — April Rivas

(57) **CLAIM**

The ornamental design for a case, as shown and described.

DESCRIPTION

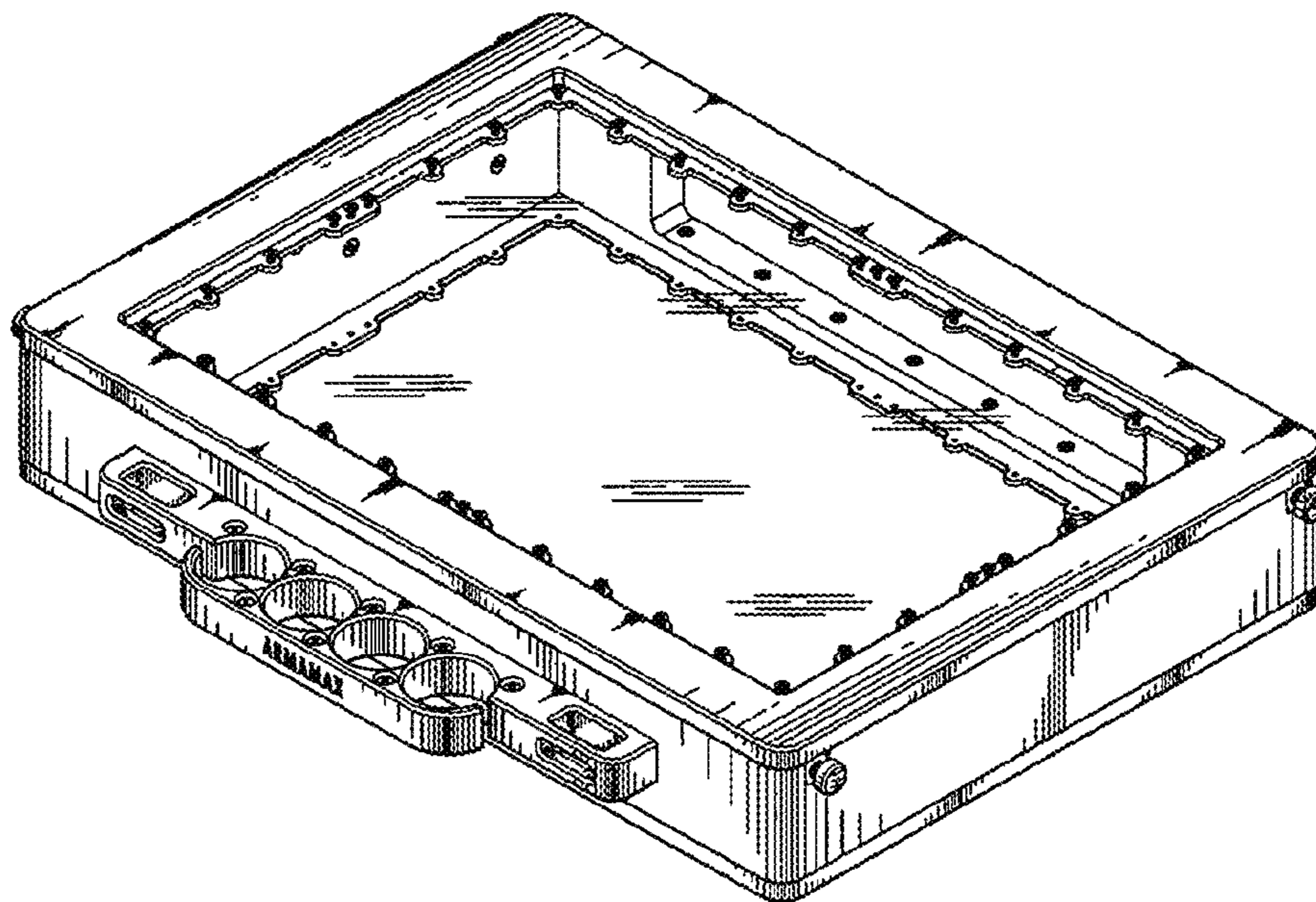
FIG. 1 is a front perspective view of the case.
 FIG. 2 is a top plan view thereof; the bottom plan view thereof being mirror image of the view shown in FIG. 2;
 FIG. 3 is a front elevation view thereof;
 FIG. 4 is a rear elevation view thereof;
 FIG. 5 is a right side elevation view thereof, the left side elevation view thereof being mirror image of the view shown in FIG. 5; and,
 FIG. 6 is a front perspective view of the case showing the lid in an open position.
 The broken lines in the figures are shown for illustrative purposes only and form no part of the claimed design.

1 Claim, 4 Drawing Sheets

(56) **References Cited**

U.S. PATENT DOCUMENTS

D367,557 S *	3/1996	Chang	D3/276
D390,357 S *	2/1998	Rosen	D3/276
D401,282 S *	11/1998	Wang	D19/106
D406,462 S *	3/1999	Emery, III	D3/276
D408,144 S *	4/1999	Lux	D3/276
D412,397 S *	8/1999	Liu	D3/276
D413,440 S *	9/1999	Schurman	D3/276
D459,074 S *	6/2002	Eckmann	D3/276
D536,525 S *	2/2007	Vasudeva	D3/282



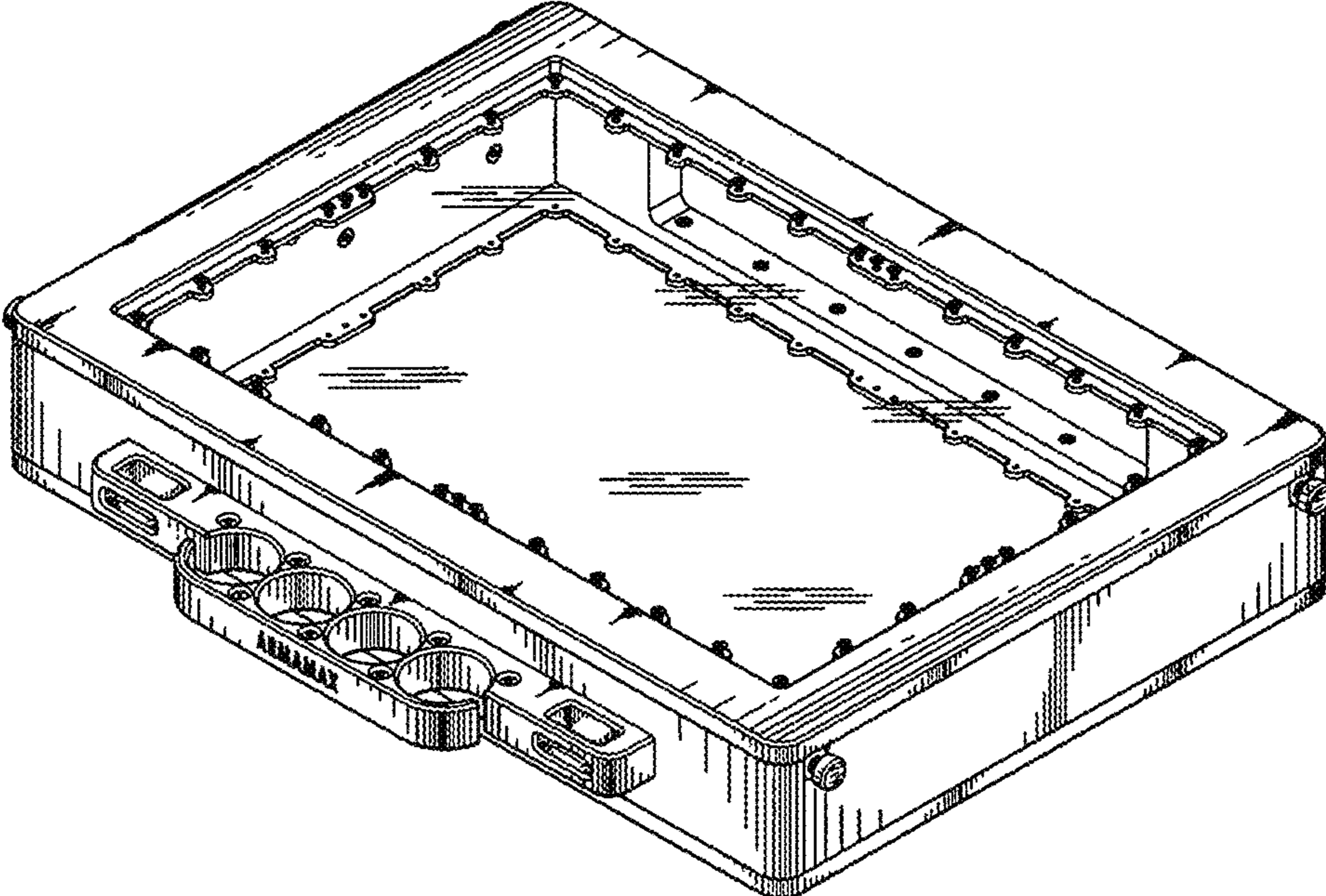


Fig. 1

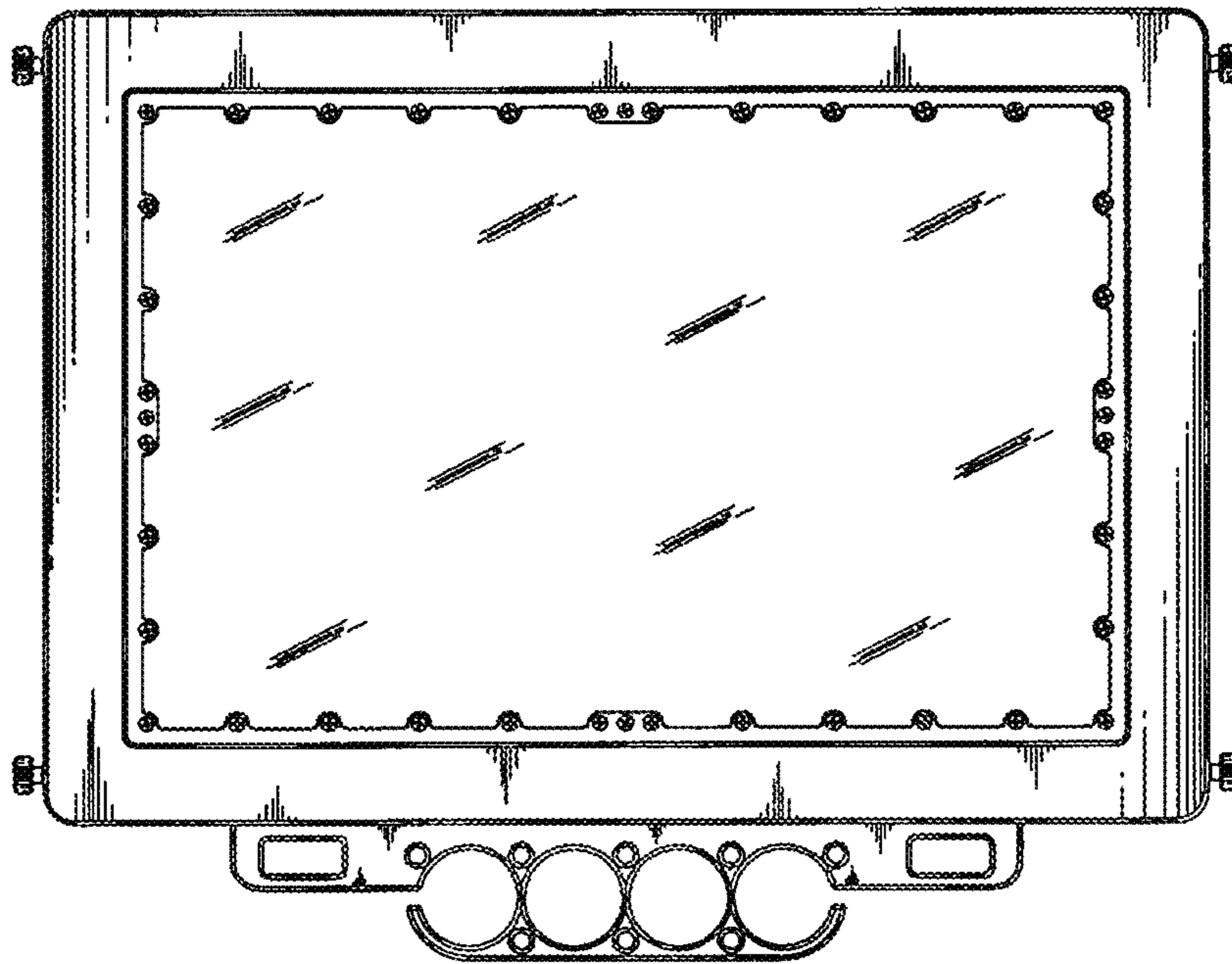


Fig. 2

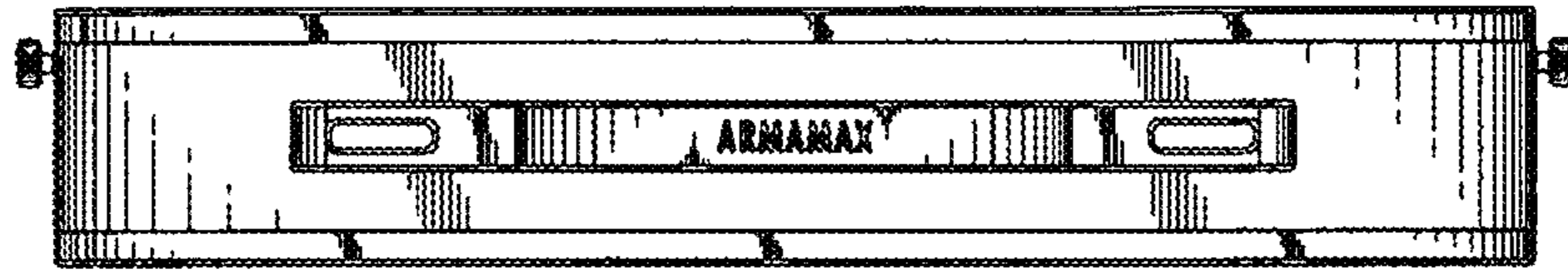


Fig. 3

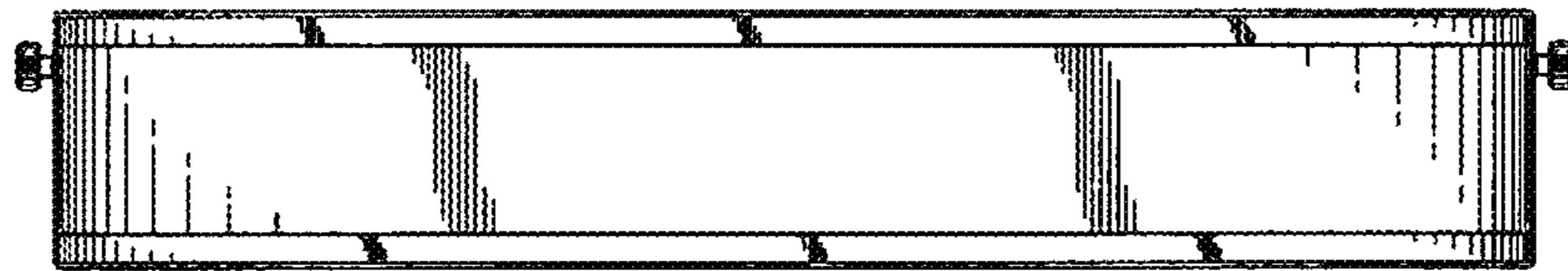


Fig. 4

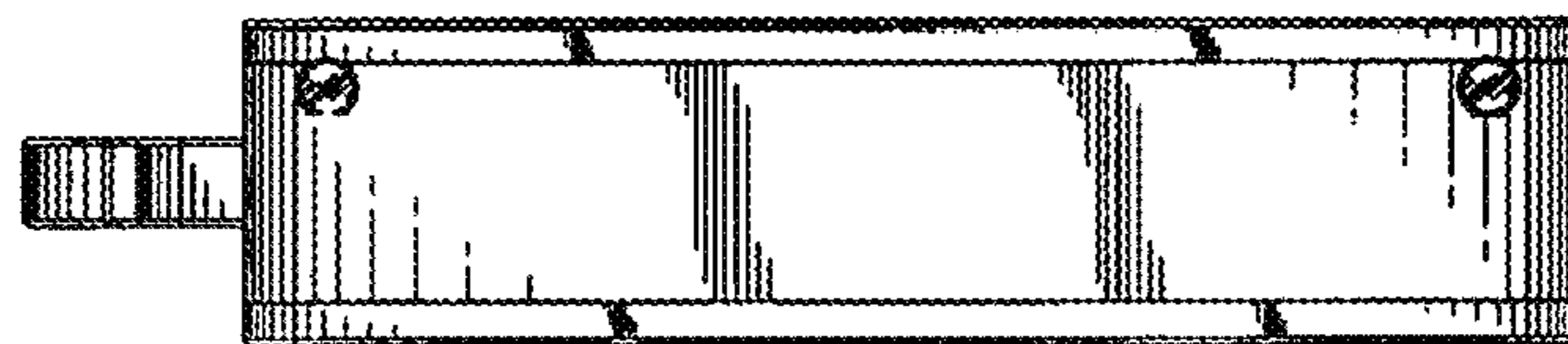


Fig. 5

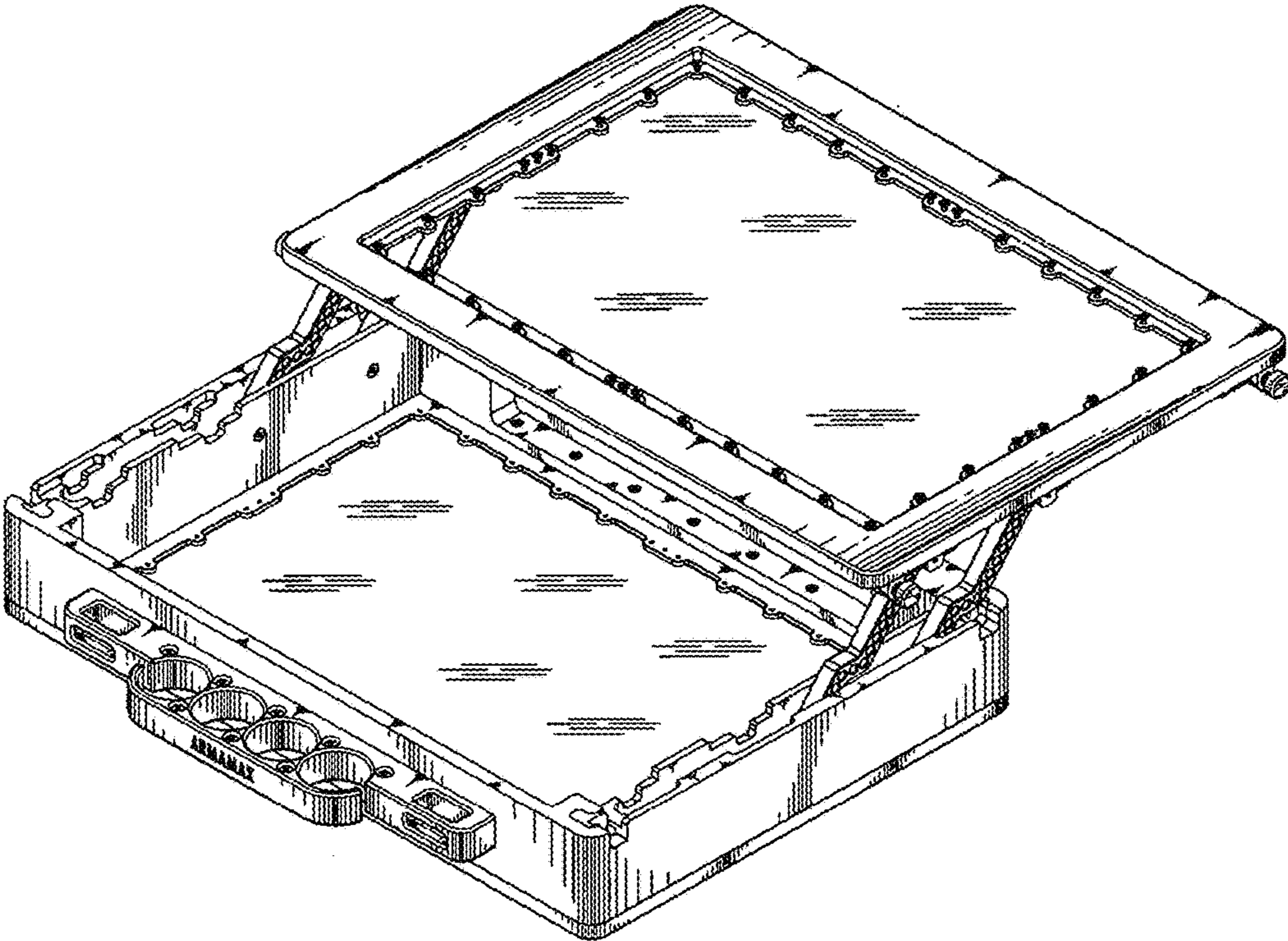


Fig. 6