



US00D813537S

(12) **United States Design Patent** (10) **Patent No.:** **US D813,537 S**
Miura et al. (45) **Date of Patent:** **** Mar. 27, 2018**

(54) **CONTACT LENS CASE**

(71) Applicant: **MENICON CO., LTD.**, Aichi-Ken (JP)

(72) Inventors: **Toshikazu Miura**, Kakamigahara (JP);
Shota Nagao, Kakamigahara (JP);
Takashi Goto, Kakamigahara (JP);
Katsuhiko Iwai, Kakamigahara (JP);
Keisuke Yamamoto, Kakamigahara (JP)

(73) Assignee: **MENICON CO., LTD.**, Nagoya (JP)

(**) Term: **15 Years**

(21) Appl. No.: **35/500,816**

(22) Filed: **Oct. 15, 2015**

(80) **Hague Agreement Data**
 Int. Filing Date: **Oct. 15, 2015**
 Int. Reg. No.: **DM/088645**
 Int. Reg. Date: **Oct. 15, 2015**
 Int. Reg. Pub. Date: **Apr. 15, 2016**

(30) **Foreign Application Priority Data**
 Jun. 1, 2015 (JP) 2015-111624

(51) **LOC (11) Cl.** **03-01**

(52) **U.S. Cl.**
 USPC **D3/264**

(58) **Field of Classification Search**
 USPC D3/203.2, 203.3, 264, 310, 309, 311,
 D3/312, 313; D7/538, 541, 546, 549,
 D7/553.6, 553.3, 557, 586, 614; D9/416,
 D9/418, 419, 424, 427, 428, 732,
 D9/736-762, 433; D24/121, 218, 227,
 D24/229, 224
 CPC A45C 11/04; A45C 11/05; B65B 25/008;
 B65B 51/10
 See application file for complete search history.

(56) **References Cited**

U.S. PATENT DOCUMENTS

D205,014 S * 6/1966 LeGrand D24/218
 4,691,820 A * 9/1987 Martinez B65D 75/326
 206/205
 D299,085 S * 12/1988 Martinez D3/264
 D358,029 S * 5/1995 Abrams D3/264
 D358,481 S * 5/1995 Abrams D3/264
 (Continued)

FOREIGN PATENT DOCUMENTS

JP H10-313928 A 12/1998
 JP H11-508172 A 7/1999

OTHER PUBLICATIONS

Dec. 28, 2016 Office Action issued in Japanese Application No. 2015-111624.
 (Continued)

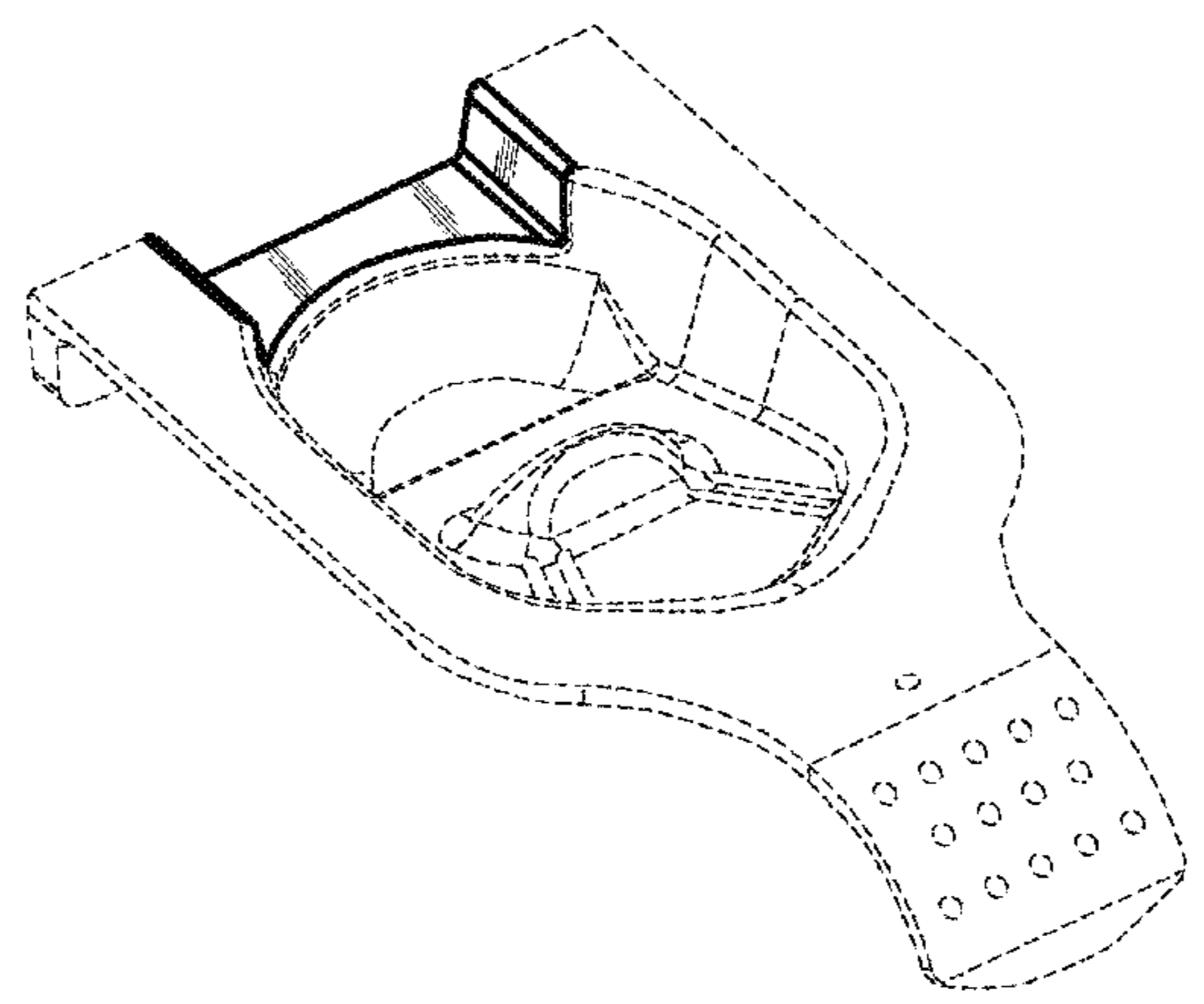
Primary Examiner — Manpreet S Matharu
Assistant Examiner — Holly E Thurman
 (74) *Attorney, Agent, or Firm* — Oliff PLC

(57) **CLAIM**

The ornamental design for a contact lens case, as shown and described.

DESCRIPTION

1. Contact lens case
 2.1 : Perspective
 2.2 : Front
 2.3 : Back
 2.4 : Top
 2.5 : Bottom
 2.6 : Left
 2.7 : Right
 2.8 : Top view covered with a sealing layer
 2.9 : Cross-sectional view taken along line 2.9-2.9 of Figure 2.8
 (Continued)



The broken lines are provided for illustrative purpose only,
and form no part of the claimed design.

1 Claim, 7 Drawing Sheets

(56)

References Cited

U.S. PATENT DOCUMENTS

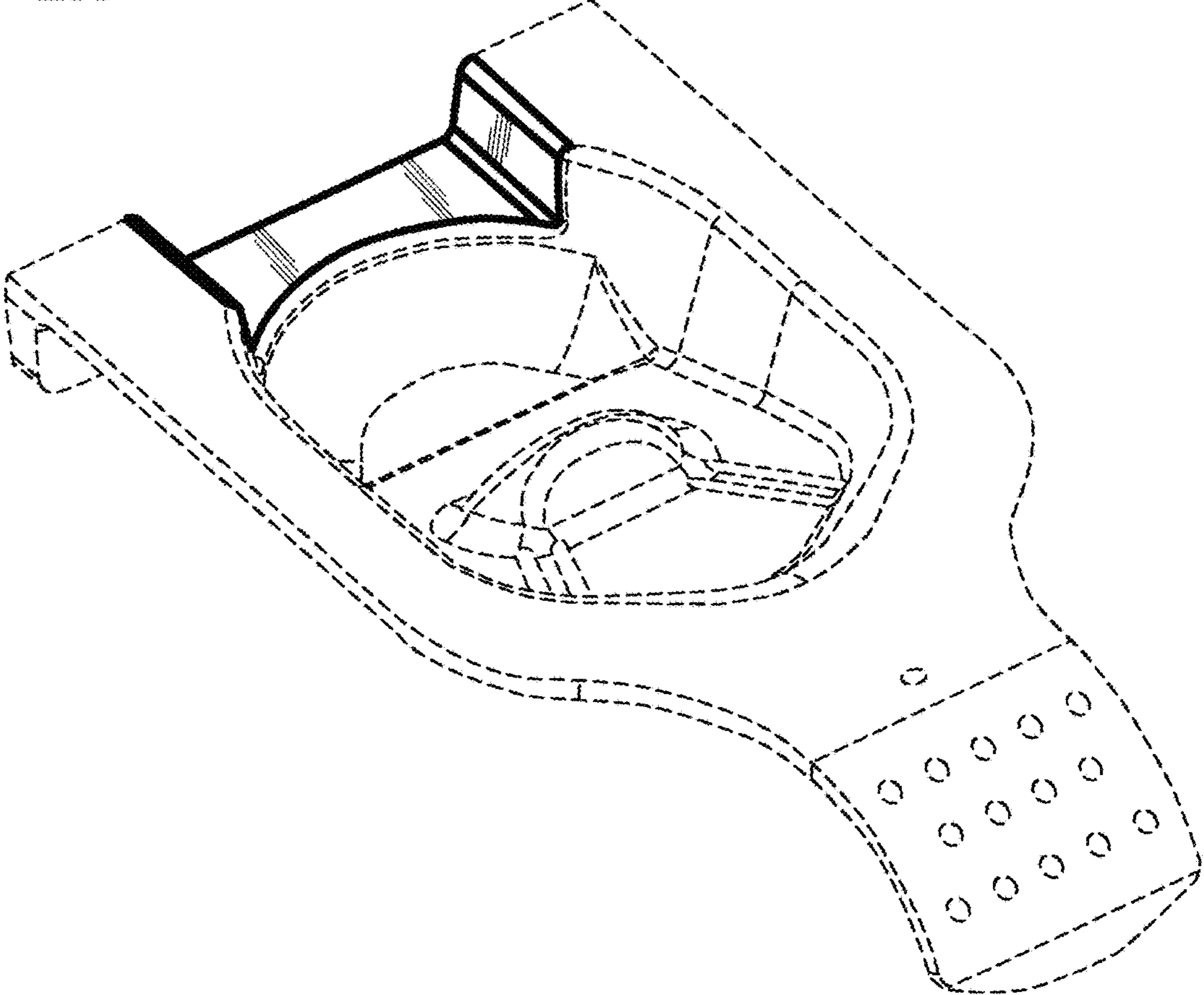
5,609,246	A	3/1997	Borghorst et al.	
5,722,536	A	3/1998	Pierce et al.	
5,823,327	A *	10/1998	Wu	B65B 25/008 206/469
D458,023	S *	6/2002	Dzwill	A45C 11/005 D3/264
D486,010	S *	2/2004	Scola	D3/203.3
7,461,740	B2 *	12/2008	Newman	A45C 11/005 206/5.1
7,832,552	B2 *	11/2010	Newman	A45C 11/005 206/5.1
8,459,445	B2 *	6/2013	Newman	A45C 11/008 206/5.1

OTHER PUBLICATIONS

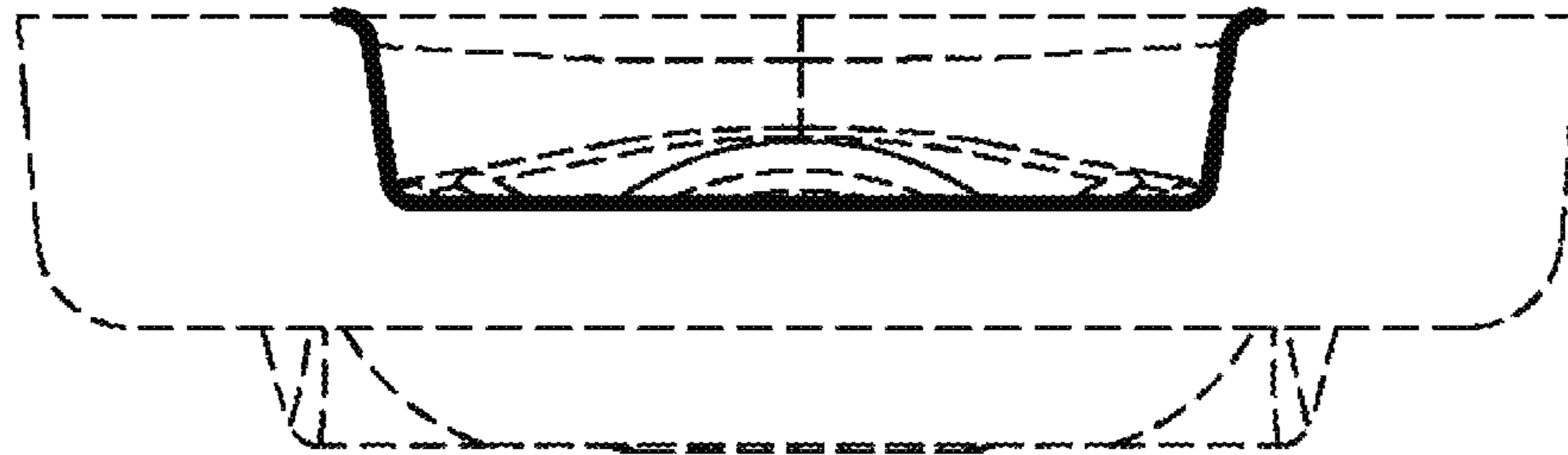
Mar. 1, 2017 Office Action issued in Japanese Application No.
2015-111624.

* cited by examiner

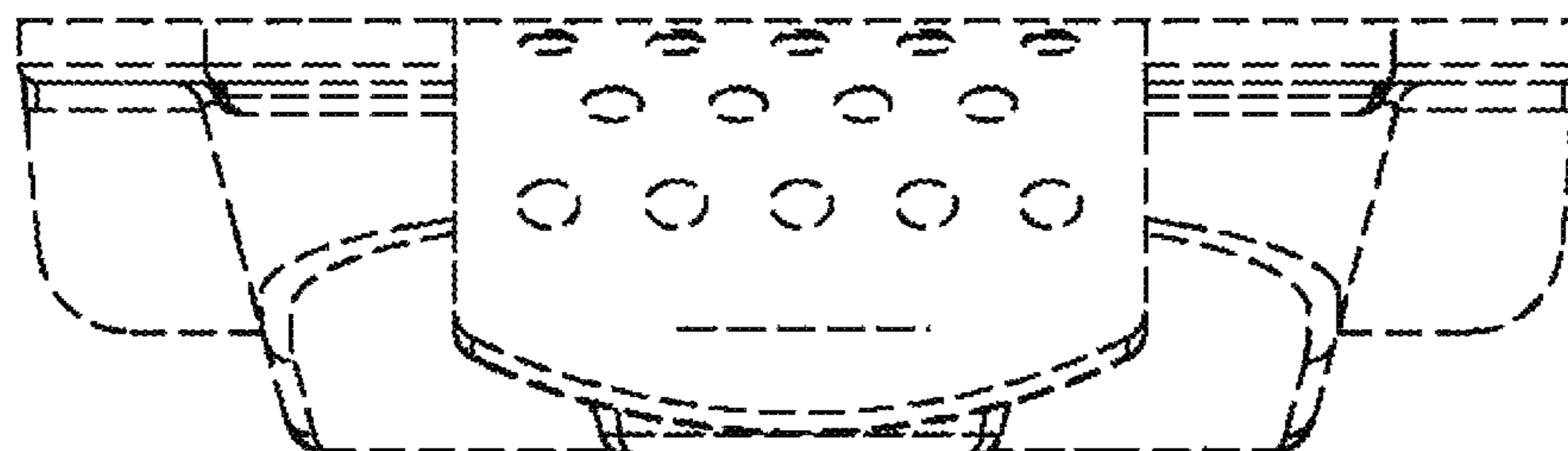
2.1



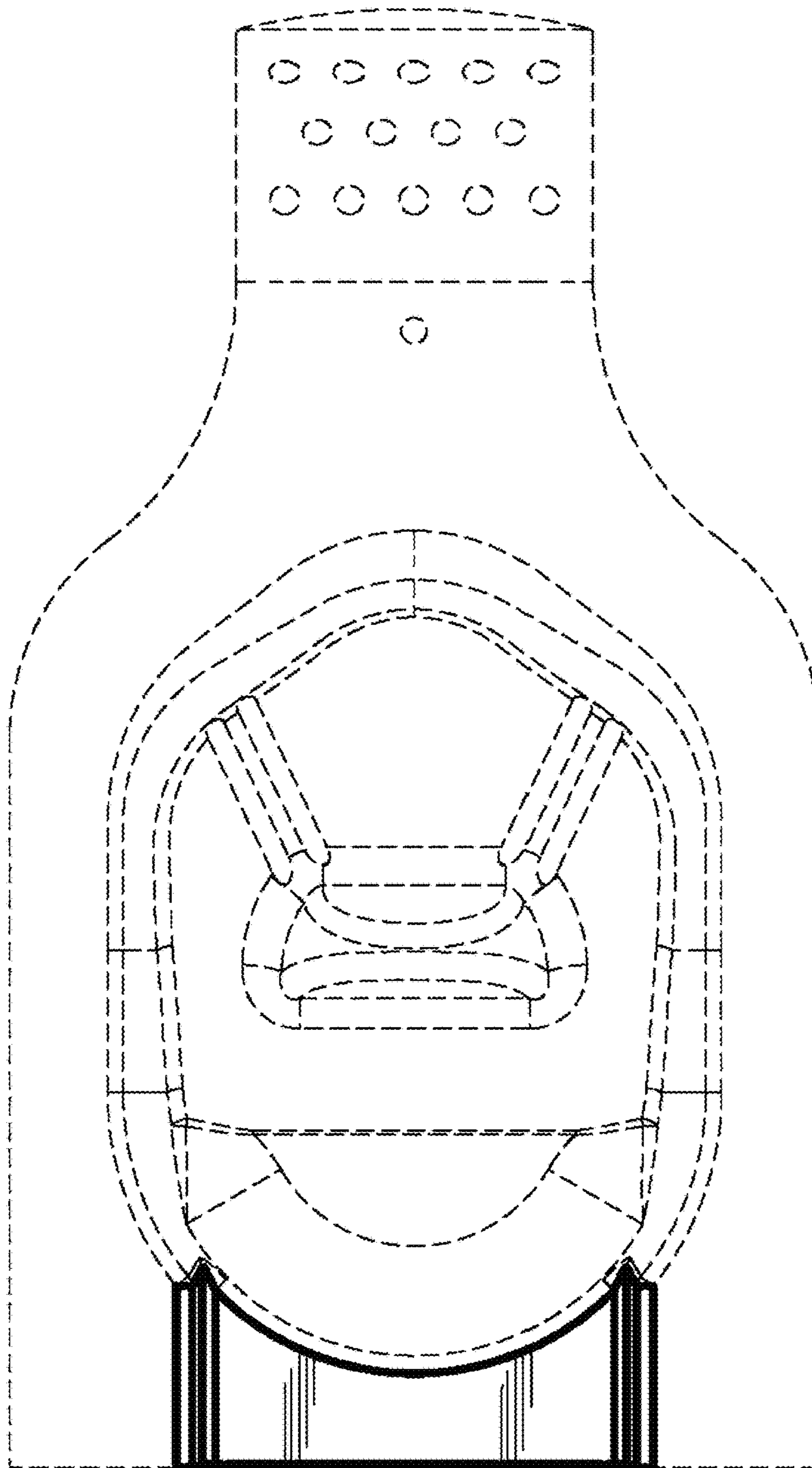
2.2



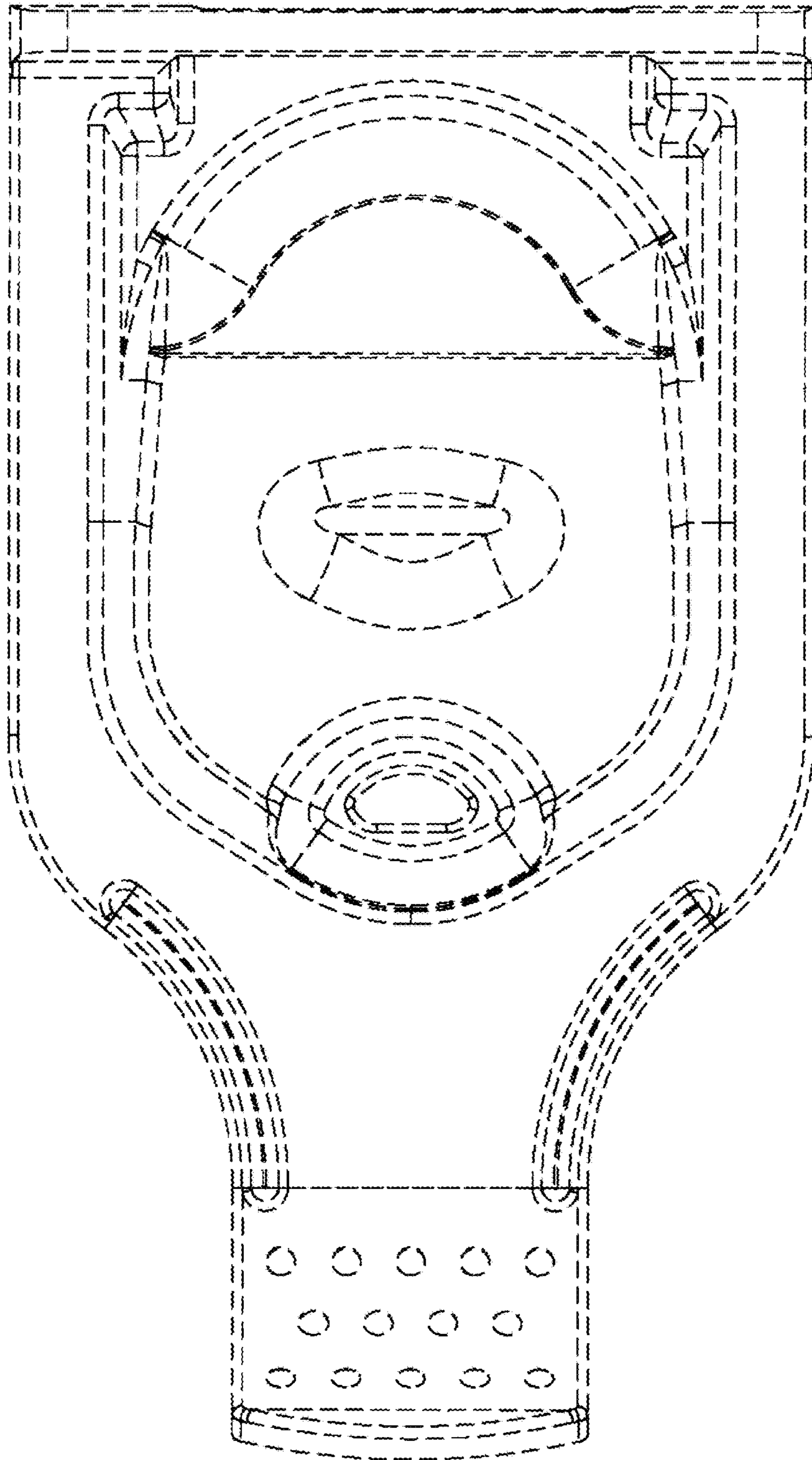
2.3



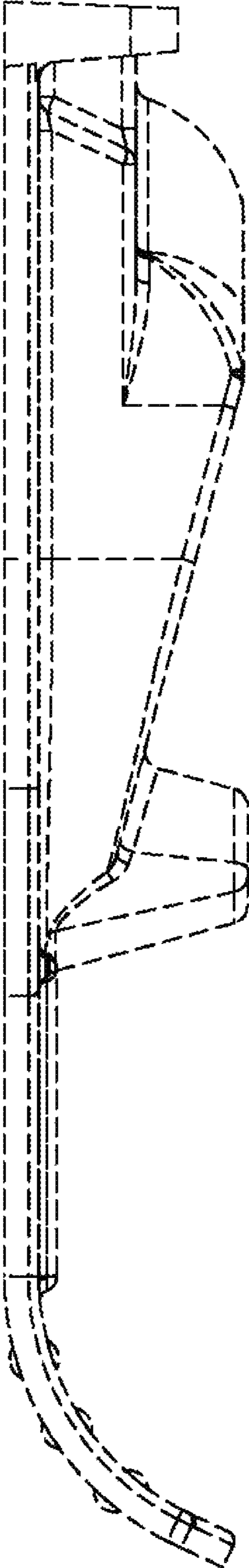
2.4



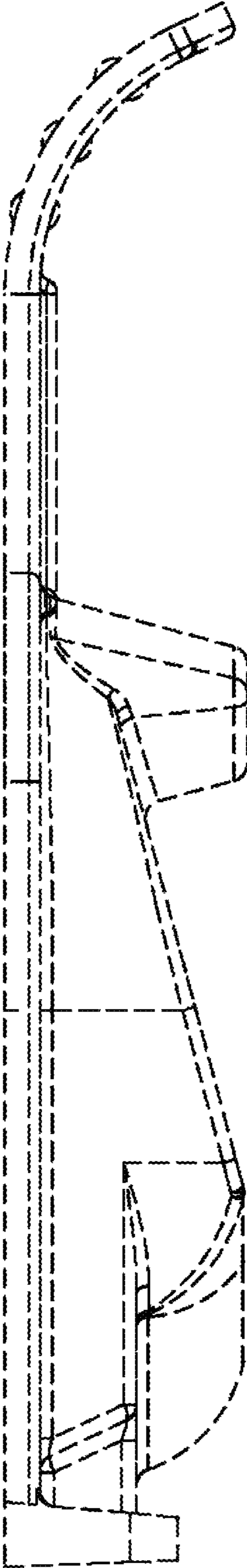
2.5



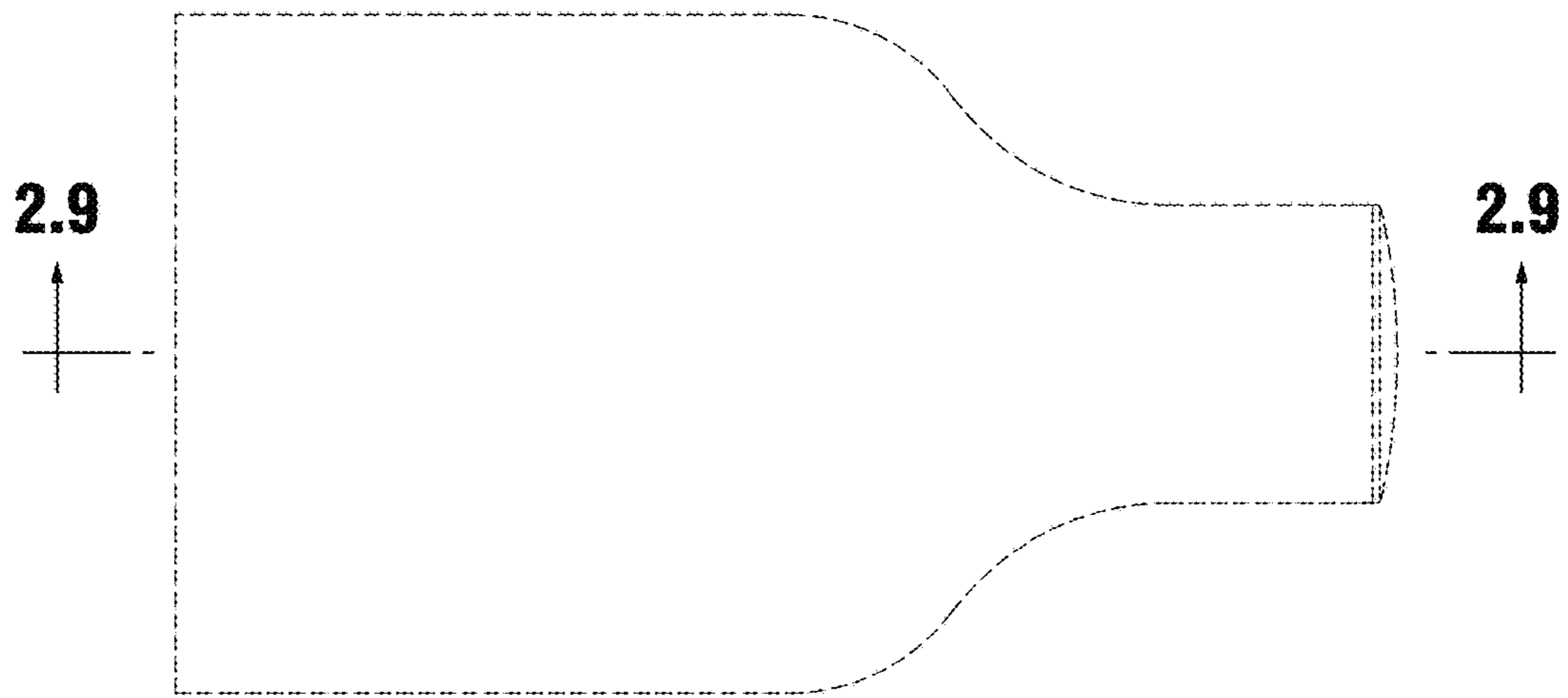
2.6



2.7



2.8



2.9

