



US00D813536S

(12) **United States Design Patent**
Schoh et al.

(10) **Patent No.:** **US D813,536 S**
(45) **Date of Patent:** **** Mar. 27, 2018**

- (54) **CHEST PACK FOR TURKEY HUNTING**
- (71) Applicant: **Hunters Specialties, Inc.**, Cedar Rapids, IA (US)
- (72) Inventors: **Blake R. Schoh**, Alphretta, GA (US); **Daniel E. Curtiss**, Boulder, CO (US)
- (73) Assignee: **Hunters Specialties, Inc.**, Cedar Rapids, IA (US)
- (**) Term: **15 Years**
- (21) Appl. No.: **29/577,384**
- (22) Filed: **Sep. 13, 2016**
- (51) **LOC (11) Cl.** **03-01**
- (52) **U.S. Cl.**
USPC **D3/262; D3/217**
- (58) **Field of Classification Search**
USPC D3/201, 213–217, 221–223, 225, 226, D3/254, 262, 273, 276, 315, 327
CPC A45F 3/00–3/14; A45F 2003/146; A45F 5/00; A45F 5/12; F41C 33/00
See application file for complete search history.

- 6,336,576 B1 * 1/2002 Easter A45F 3/04 224/153
- 6,402,003 B1 * 6/2002 Jackson A45F 3/042 224/627
- 6,932,256 B2 * 8/2005 Hale A45F 3/042 224/637
- D554,364 S * 11/2007 Rugg D3/217
- 7,594,569 B2 * 9/2009 Bass A45C 7/0086 190/102
- D713,138 S * 9/2014 Saunders D3/216
- 8,998,051 B2 * 4/2015 Demskey A45C 13/30 224/579
- D737,025 S * 8/2015 Robert D2/829
- D737,568 S * 9/2015 Robert D3/217
- 9,167,883 B2 * 10/2015 Demskey A45F 3/14
- D763,567 S * 8/2016 Robert D3/217
- 9,439,501 B2 * 9/2016 Demskey A45F 3/14
- 2002/0113103 A1 * 8/2002 O'Hare A45F 3/08 224/155
- 2006/0011690 A1 * 1/2006 Bareno A45F 3/14 224/638

* cited by examiner

Primary Examiner — Mitchell I Siegel
(74) *Attorney, Agent, or Firm* — Conley Rose PC

(57) **CLAIM**

The ornamental design for a chest pack for turkey hunting, as shown.

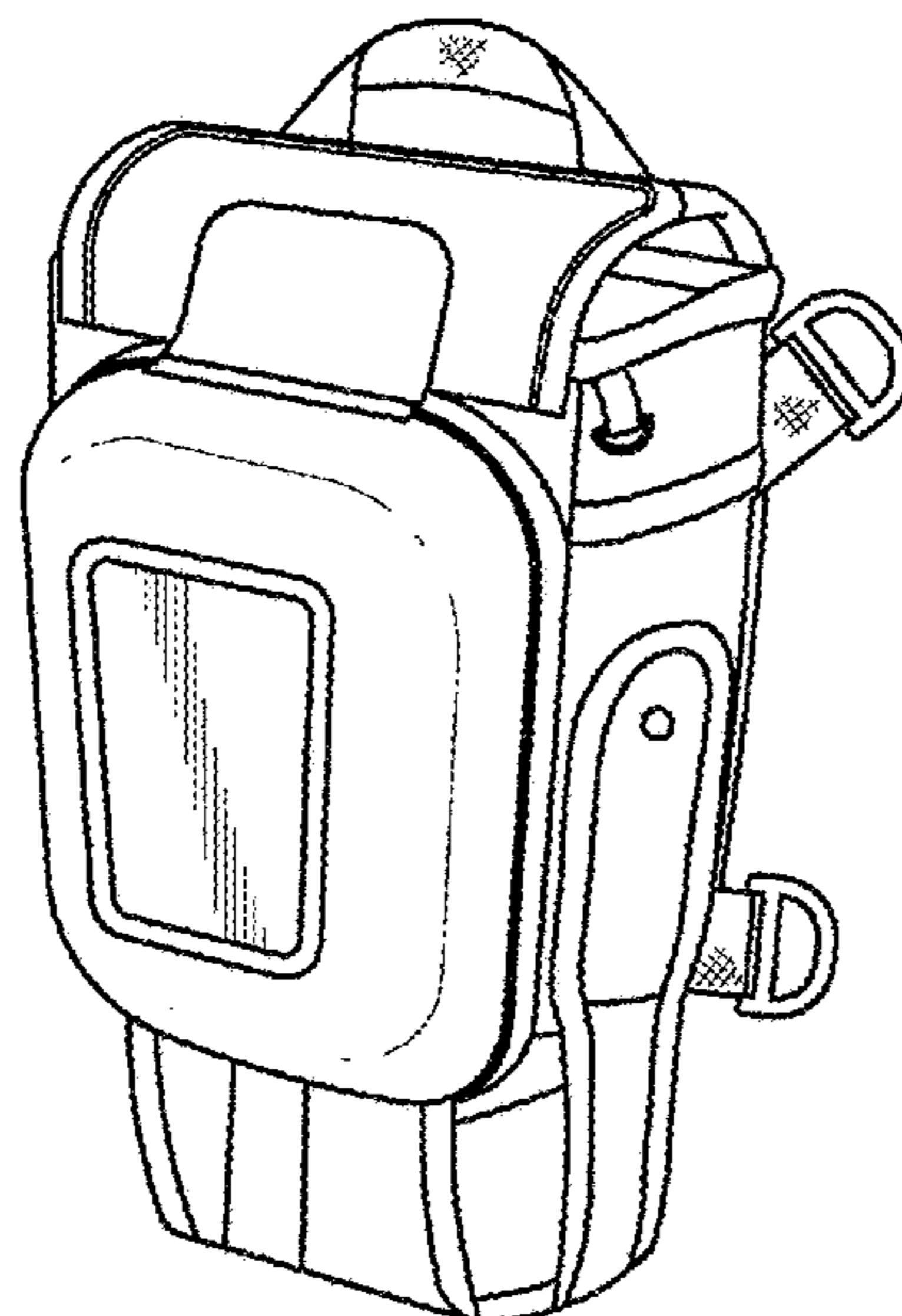
DESCRIPTION

FIG. 1 is a front view of the chest pack for turkey hunting; FIG. 2 is a perspective view thereof; FIG. 3 is a right side view thereof; FIG. 4 is a rear view thereof; FIG. 5 is a top view thereof; FIG. 6 is a left side view thereof; and, FIG. 7 is a bottom view thereof.

1 Claim, 3 Drawing Sheets

(56) **References Cited**
U.S. PATENT DOCUMENTS

- D378,163 S * 2/1997 Clissold D3/218
- 5,603,441 A * 2/1997 Easter A45F 3/00 224/153
- 5,799,851 A * 9/1998 Wulf A45C 7/0045 224/580
- 6,189,750 B1 * 2/2001 Von Neumann A45C 7/0086 224/153
- 6,216,932 B1 * 4/2001 Wu A45F 3/04 224/271



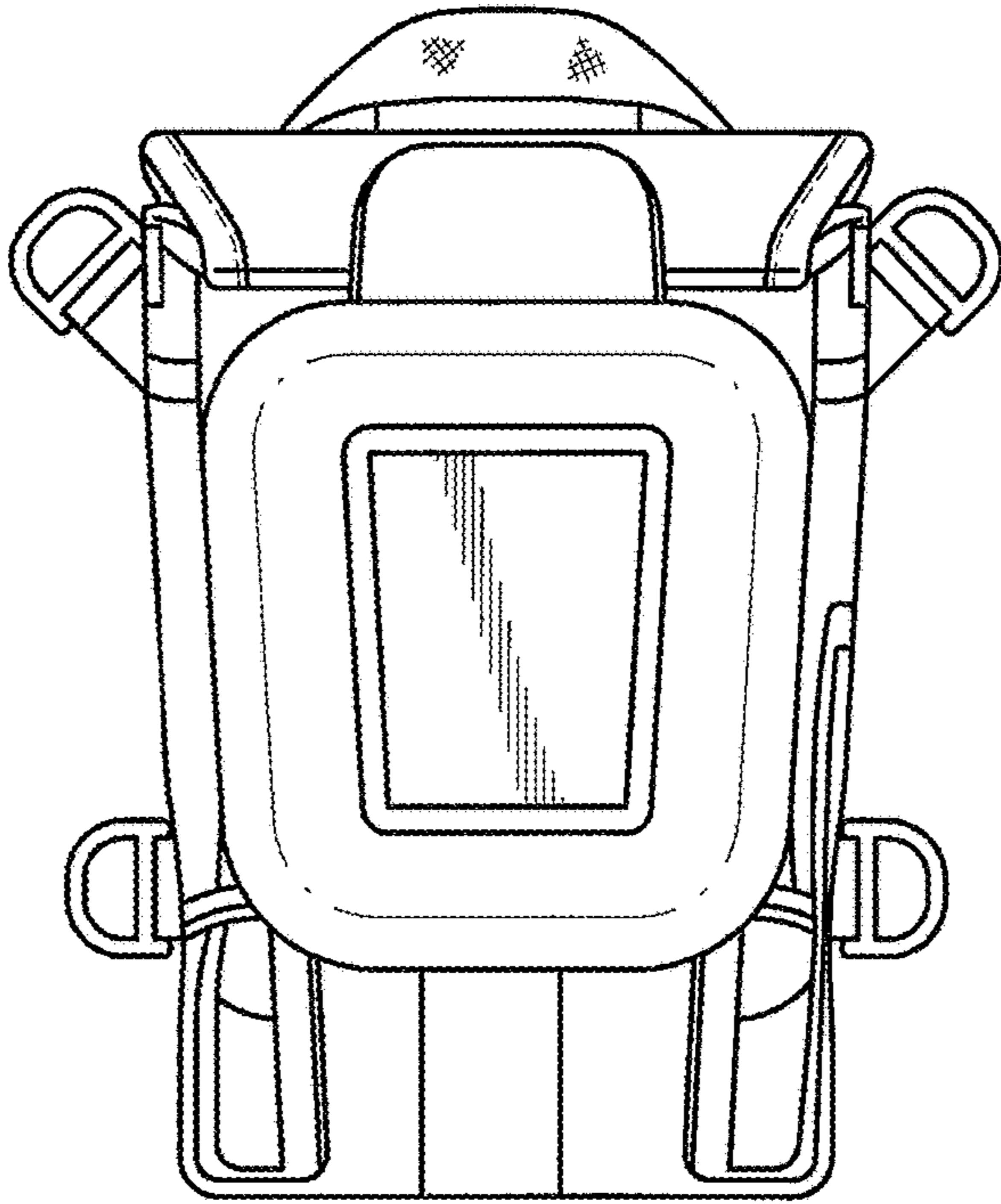


FIG. 1

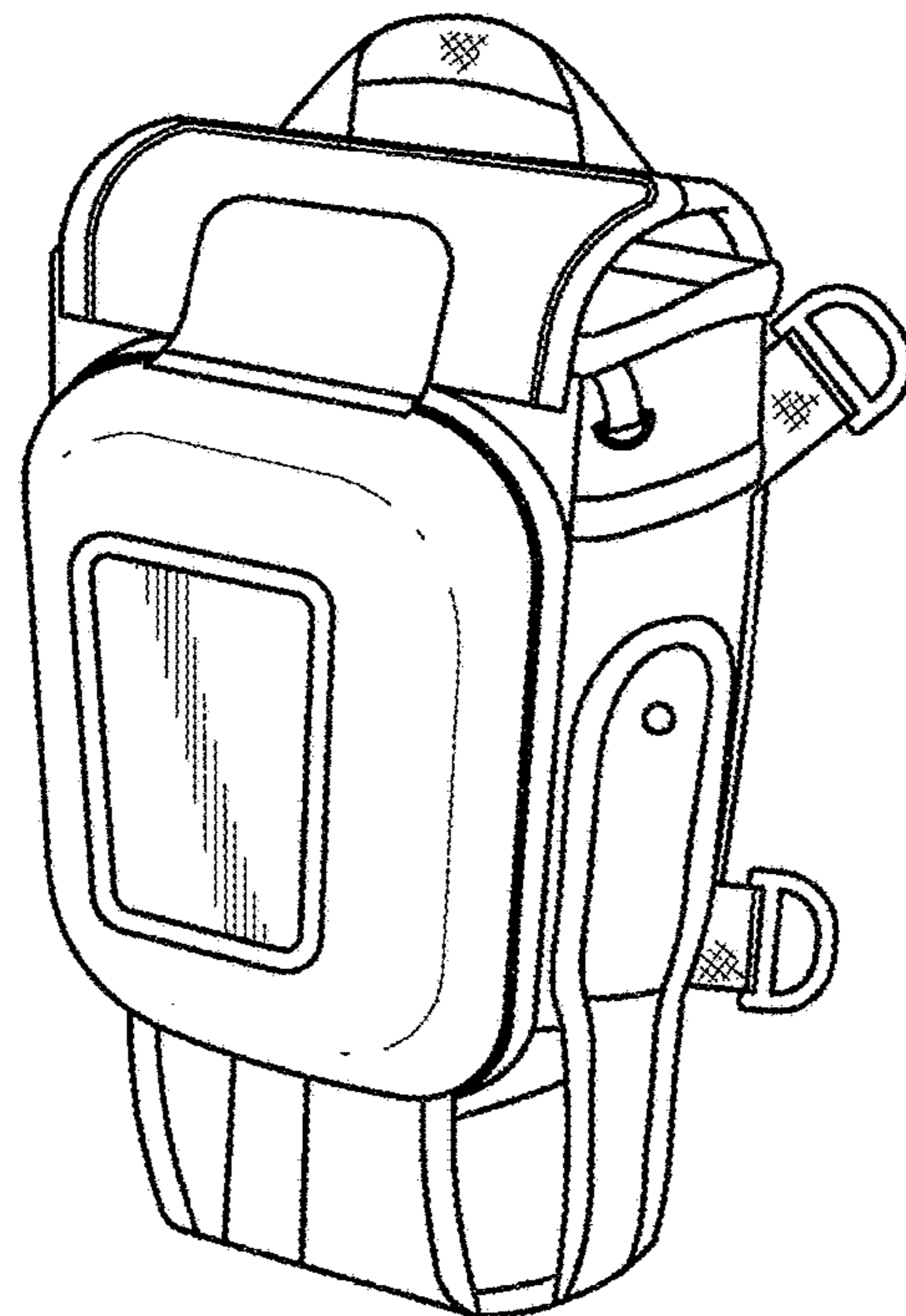


FIG. 2

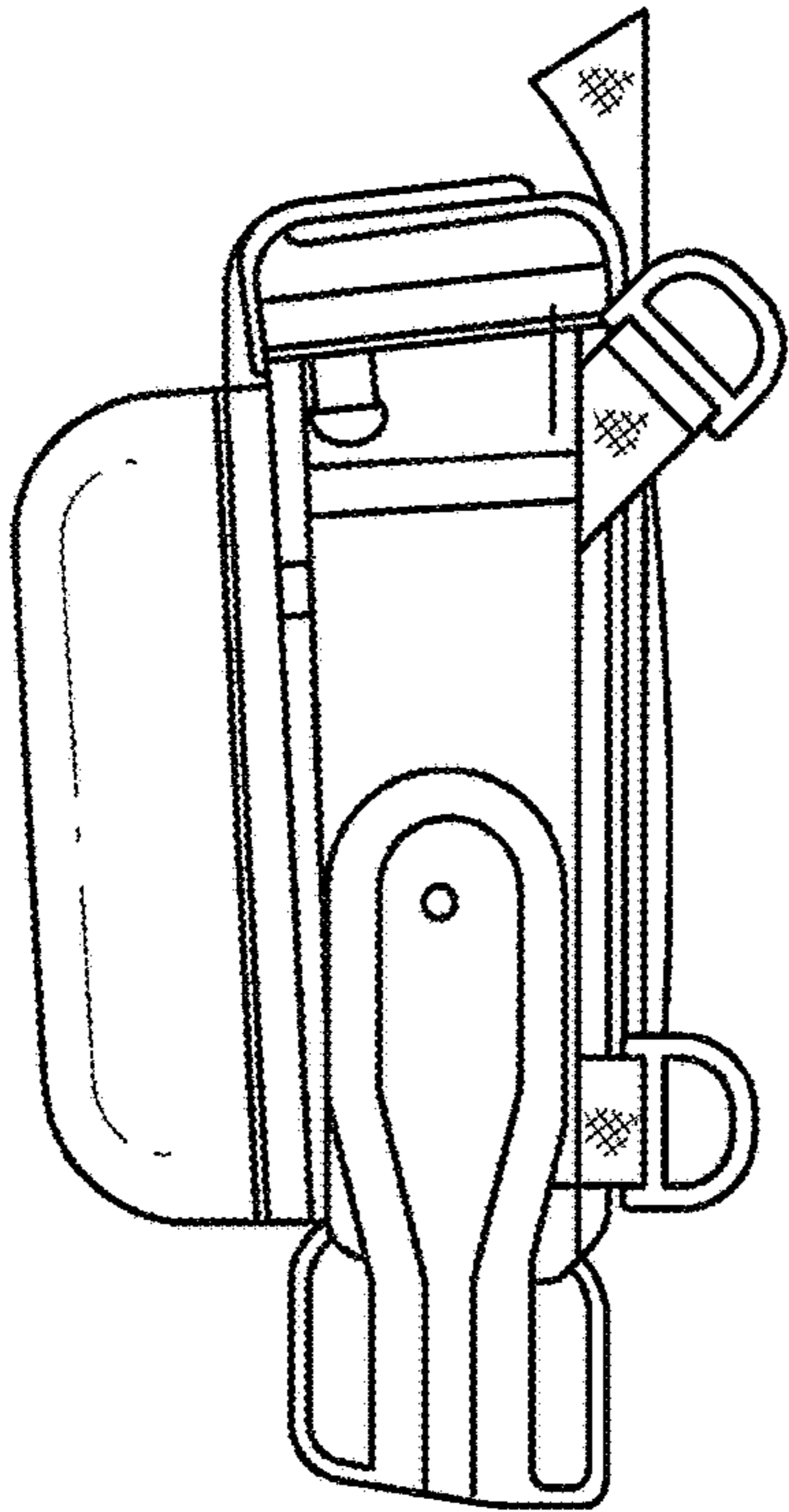


FIG. 3

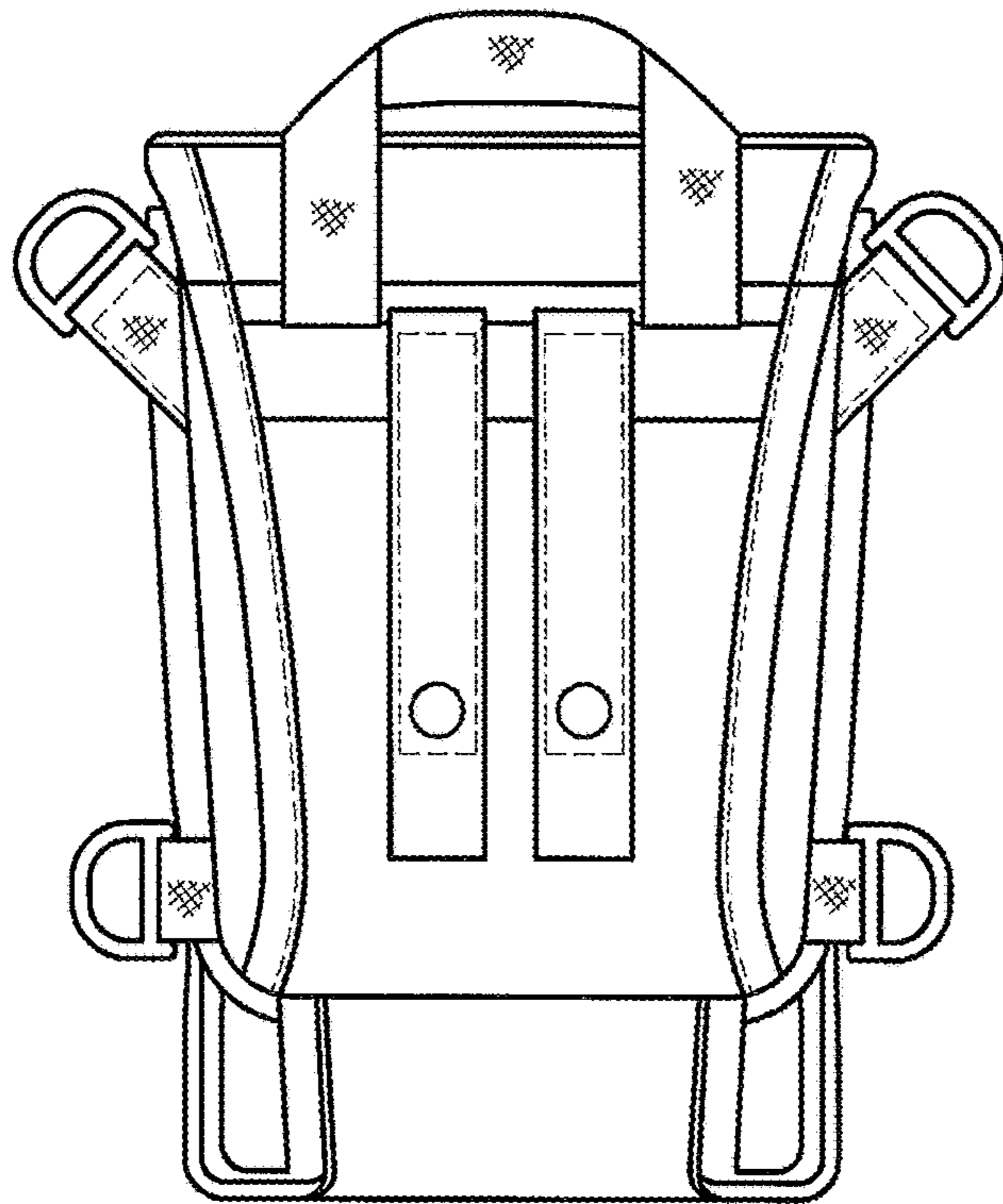


FIG. 4

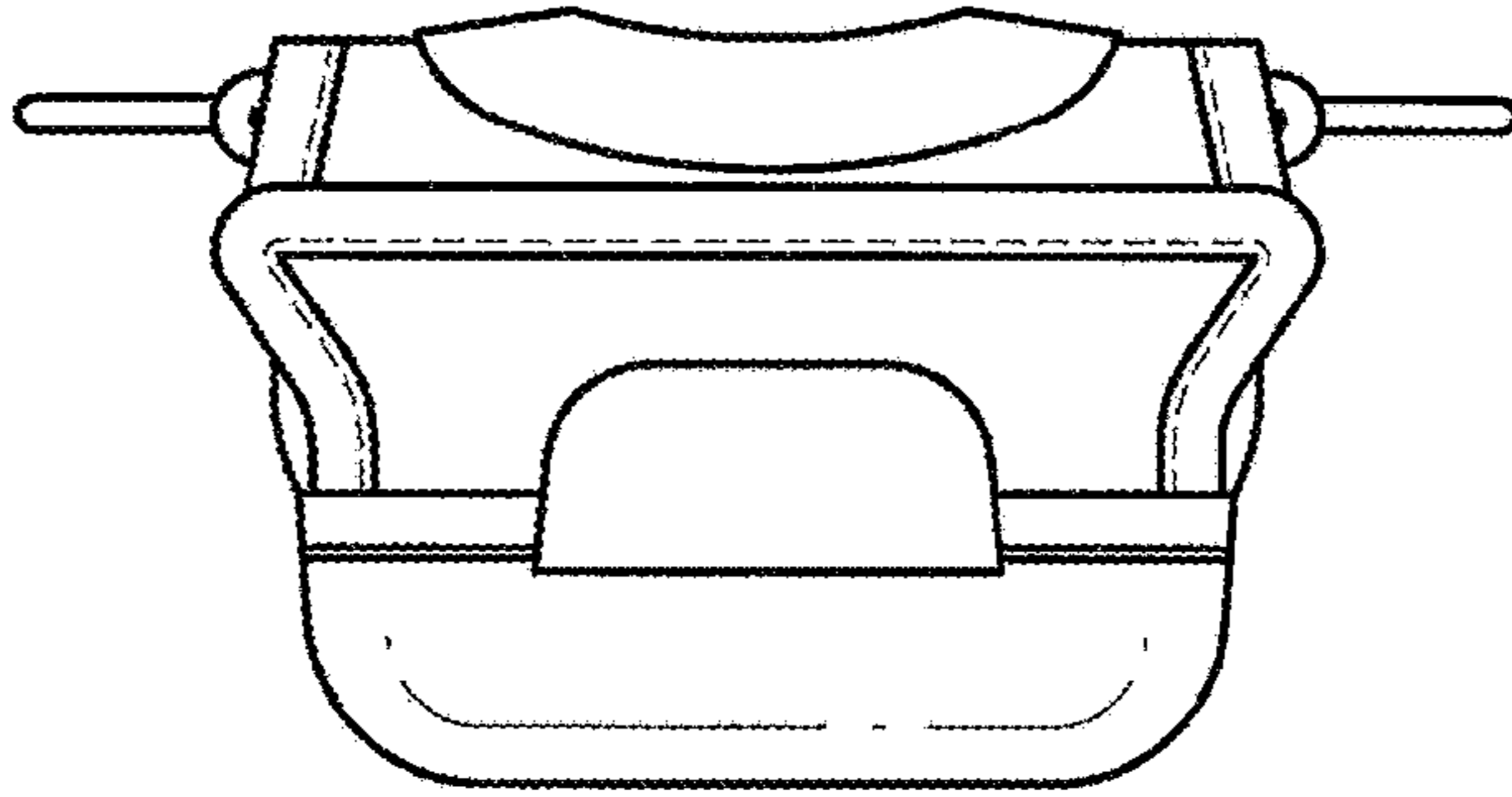


FIG. 5

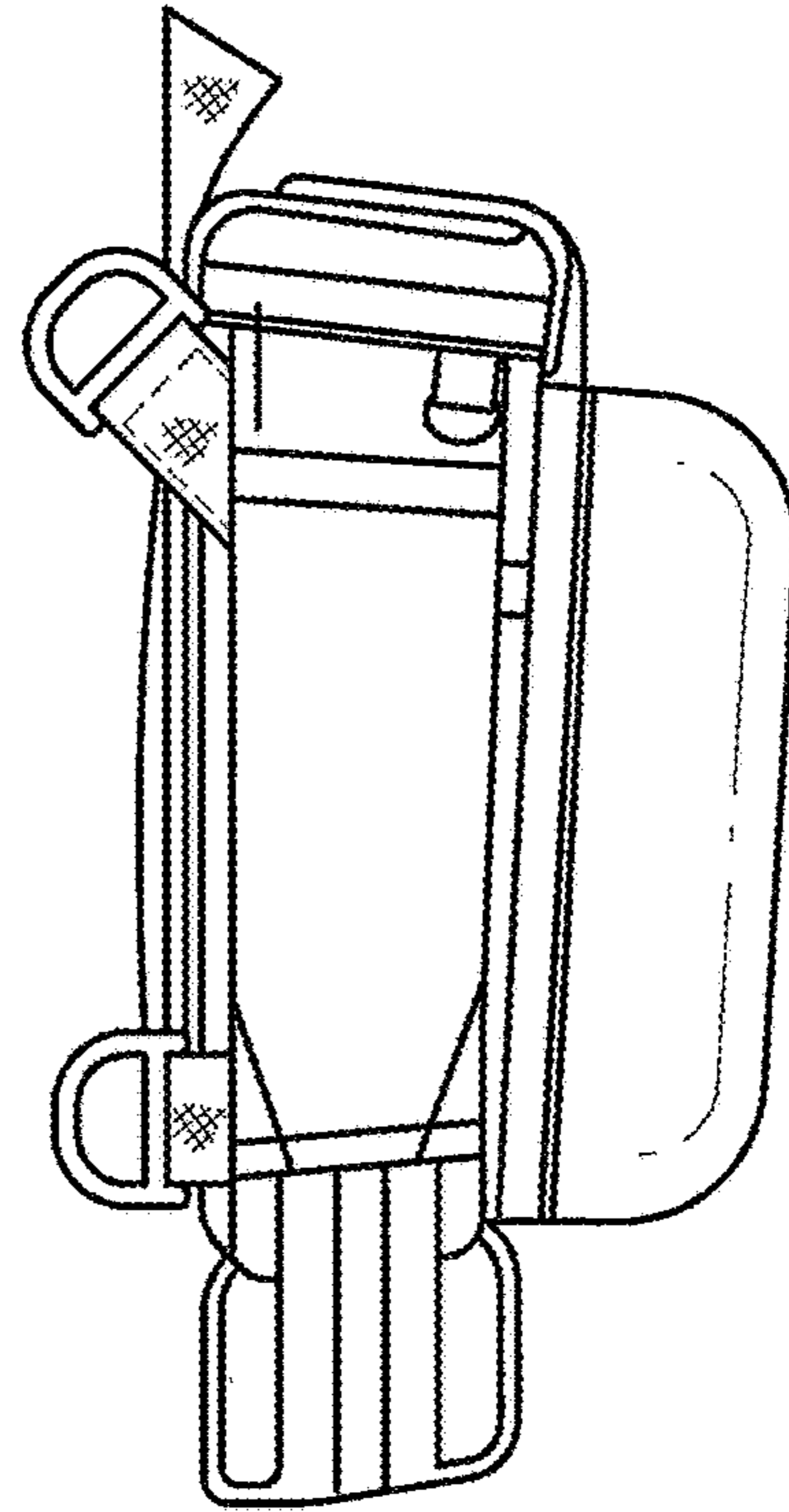


FIG. 6

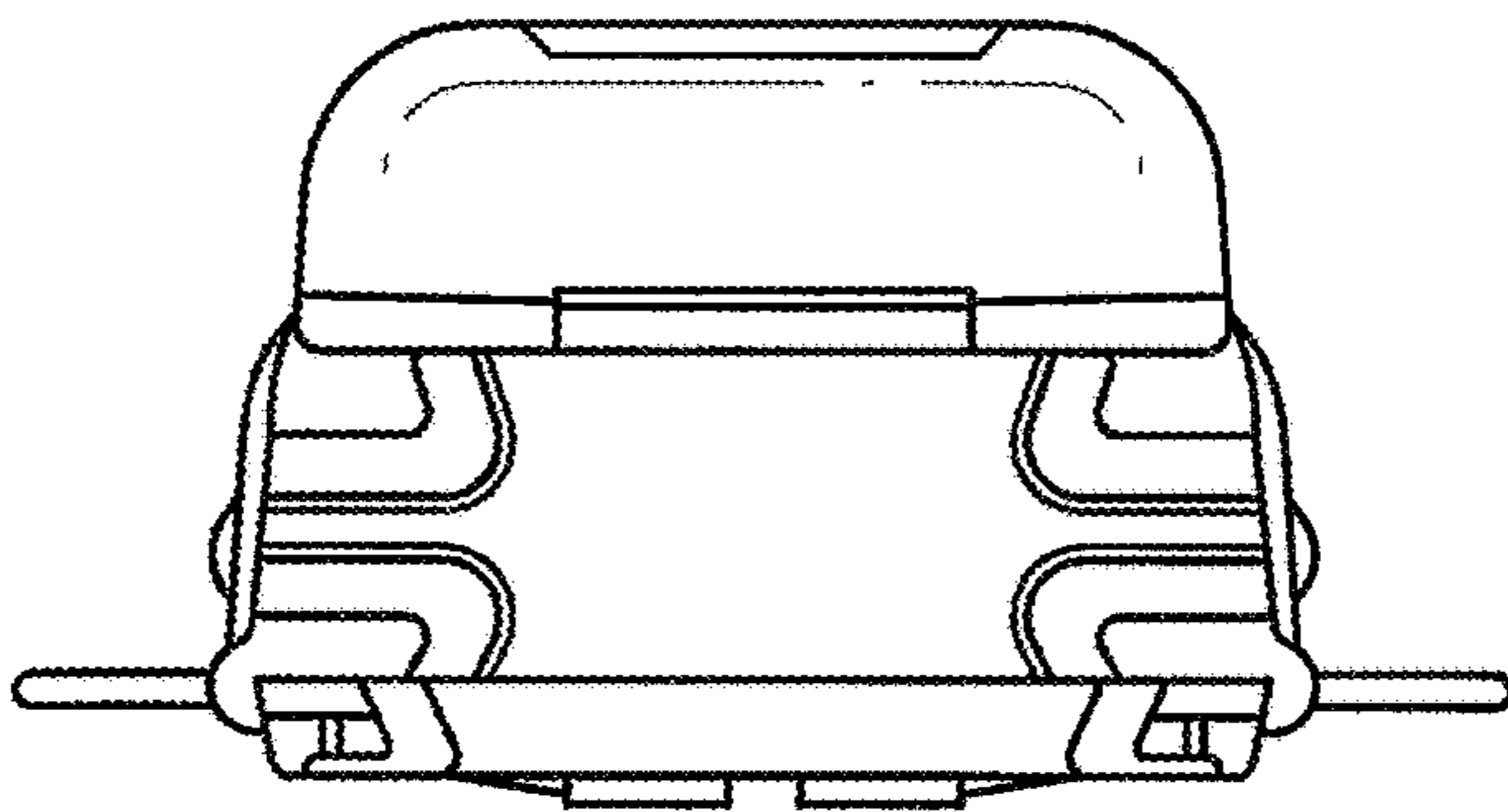


FIG. 7