



US00D813532S

(12) **United States Design Patent** (10) **Patent No.:** **US D813,532 S**
Yuson (45) **Date of Patent:** **** Mar. 27, 2018**

(54) **HANDBAG**
(71) Applicant: **Cartier International AG**, Steinhausen (CH)
(72) Inventor: **Marlin Yuson**, Paris (FR)
(73) Assignee: **Cartier International SA**, Steinhausen (CH)
(**) Term: **15 Years**
(21) Appl. No.: **29/576,823**
(22) Filed: **Sep. 7, 2016**
(30) **Foreign Application Priority Data**

Mar. 7, 2016 (WO) 964440001

(51) **LOC (11) Cl.** **03-01**

(52) **U.S. Cl.**
USPC **D3/243**

(58) **Field of Classification Search**
USPC D3/201, 205, 206, 226, 231-233,
D3/242-247, 258, 273, 299, 301, 303,
D3/318, 901, 903, 272, 294; D12/409;
D23/243

CPC A45C 13/02; A45C 13/04; A45C 13/06;
A45C 13/08; A45C 13/26; A45C 1/024;
A45C 3/04; A45C 3/06; A45C 7/0077

See application file for complete search history.

(56) **References Cited**

U.S. PATENT DOCUMENTS

D235,690 S * 7/1975 Barad D3/243
D250,734 S * 1/1979 Siegel D3/243
D260,198 S * 8/1981 Siegel D3/243
D260,199 S * 8/1981 Siegel D3/243
D293,508 S * 1/1988 Marconi D3/243
D324,451 S * 3/1992 Dixsaut D3/243
D369,675 S * 5/1996 Gregg D3/233
D469,252 S * 1/2003 Su D3/276

D631,657 S * 2/2011 Della Valle D3/243
D640,467 S * 6/2011 Gerbi D3/243
D655,583 S * 3/2012 Palazzolo D3/243
D704,436 S * 5/2014 Hickman D3/231
2008/0006354 A1 * 1/2008 Lang A45C 3/08
150/105

OTHER PUBLICATIONS

Moroccan Buzz, Zagora Leather Crossbody Bag, webarchive on Jan. 22, 2014, [online], [site visited on Aug. 11, 2017]. Available from Internet, URL: <https://web.archive.org/web/20140122033838/http://moroccanbuzz.com/zagora-leather-crossbody-bag-dark-brown/>.*

Etsy, Vintage Coach Saddle Bag, produced in 1980s, [online], [site visited on Aug. 11, 2017]. Available from Internet, URL: <https://www.etsy.com/listing/215564304/vintage-coach-saddle-bag-side-pouch>.*

* cited by examiner

Primary Examiner — Sheryl Lane

Assistant Examiner — Samantha N Wood

(74) *Attorney, Agent, or Firm* — Taft Stettinius & Hollister LLP

(57) **CLAIM**

The ornamental design for a handbag, as shown and described.

DESCRIPTION

FIG. 1 is a front elevational view of a handbag showing my new design;

FIG. 2 is a rear elevational view thereof;

FIG. 3 is a top plan view thereof;

FIG. 4 is a bottom plan view thereof;

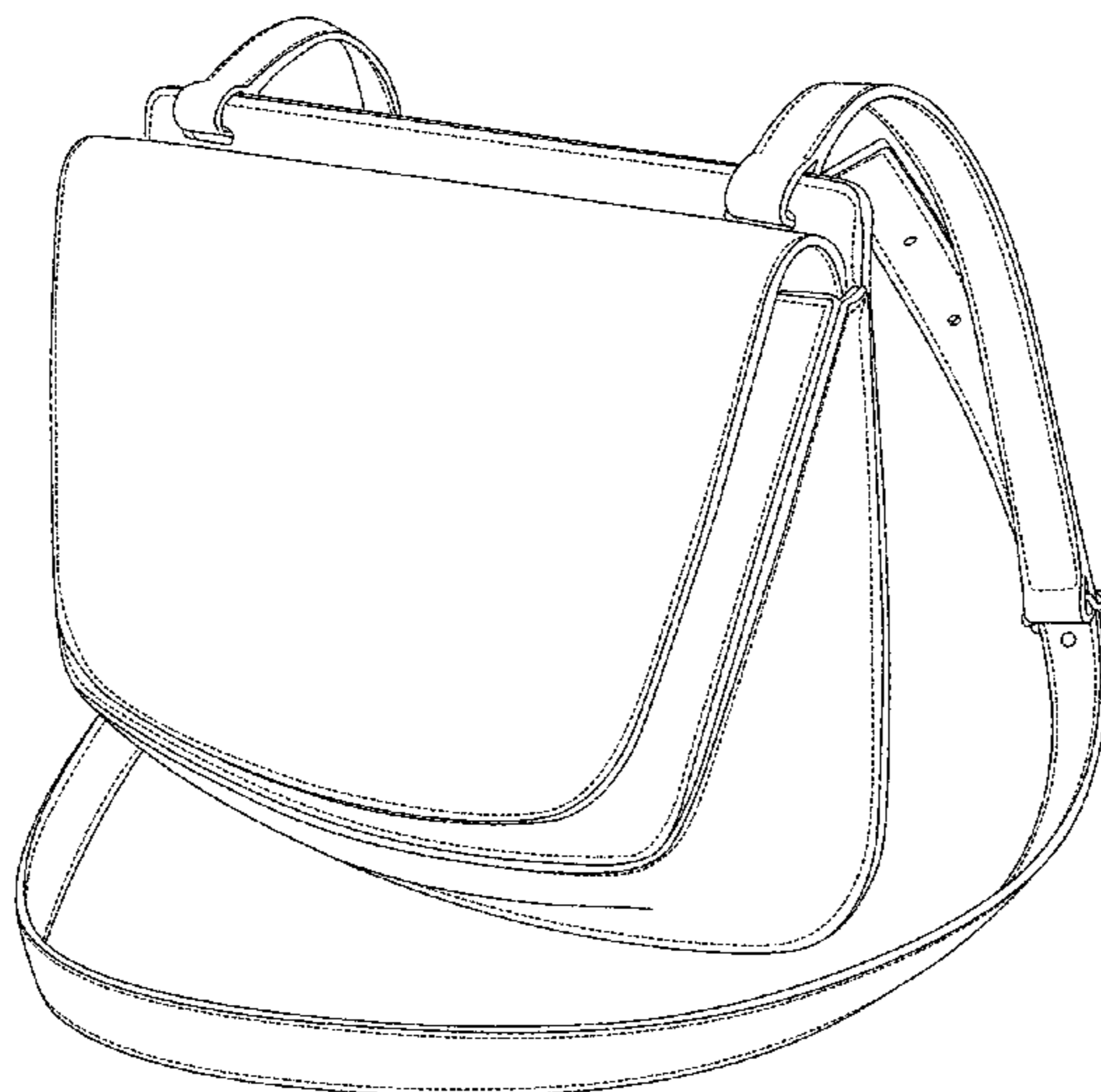
FIG. 5 is a right side elevational view thereof;

FIG. 6 is a left side elevational view thereof; and,

FIG. 7 is a front, right perspective view thereof.

The broken lines represent stitching and form a part of the claimed design.

1 Claim, 7 Drawing Sheets



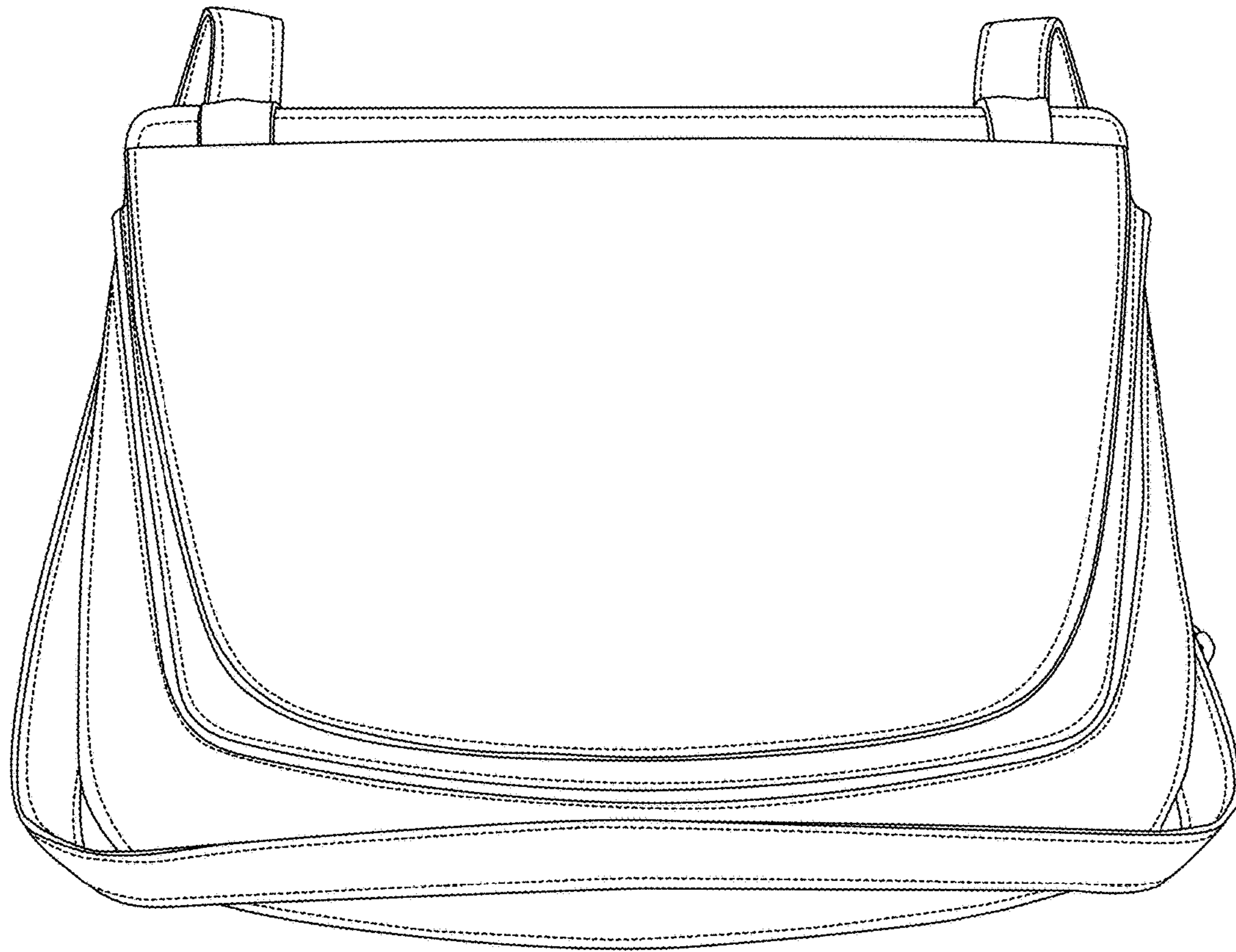


Fig. 1

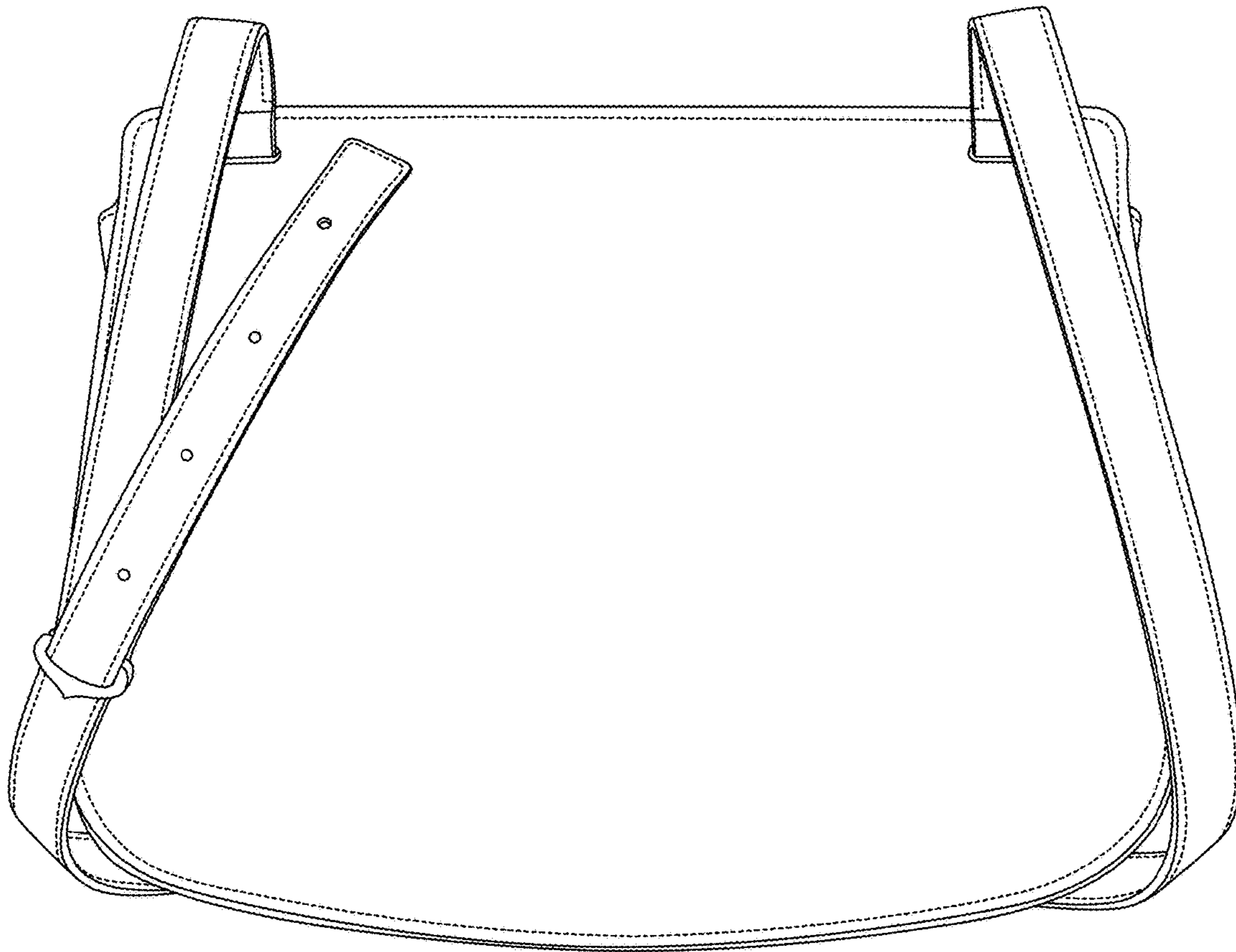


Fig. 2

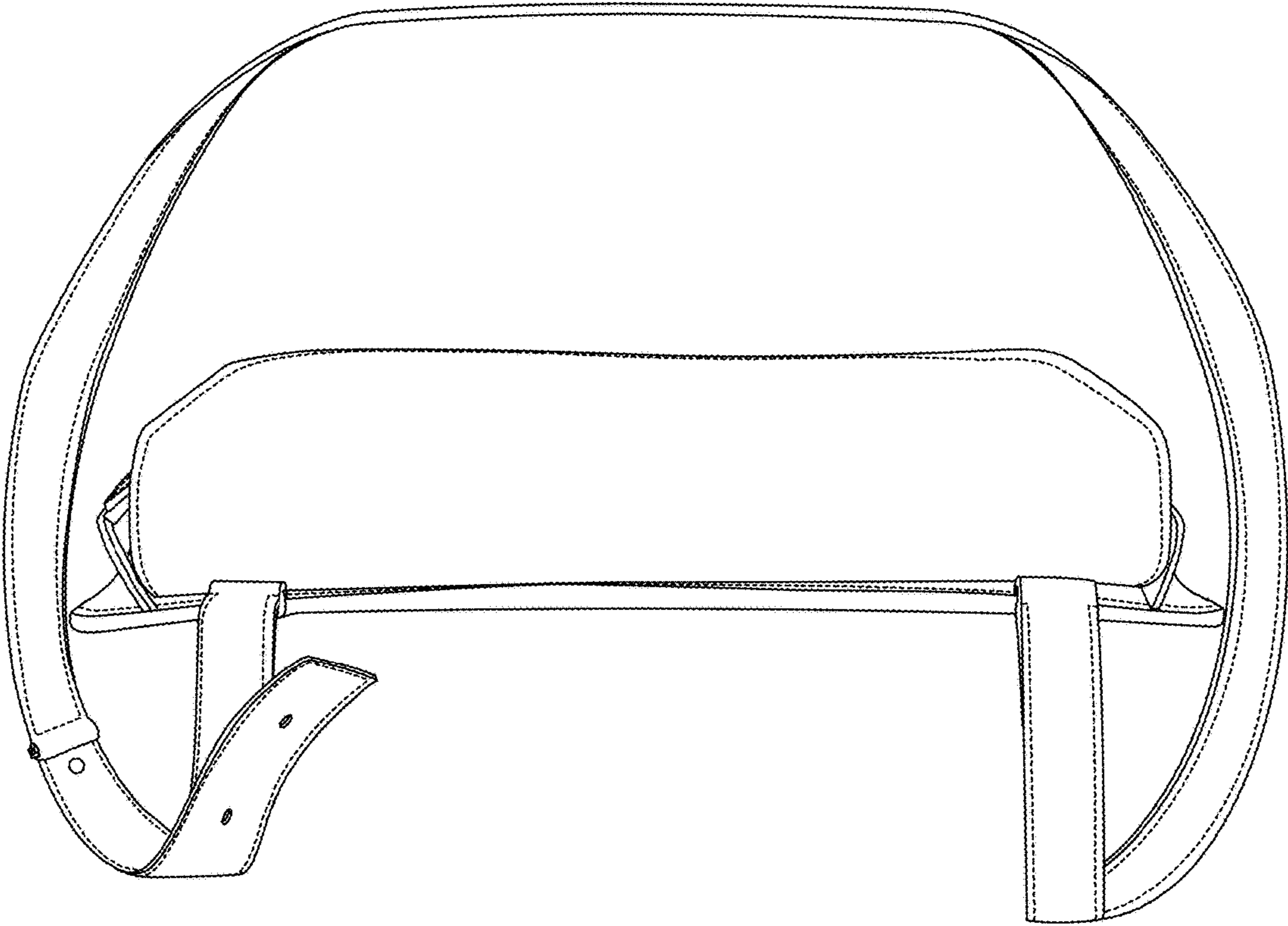


Fig. 3

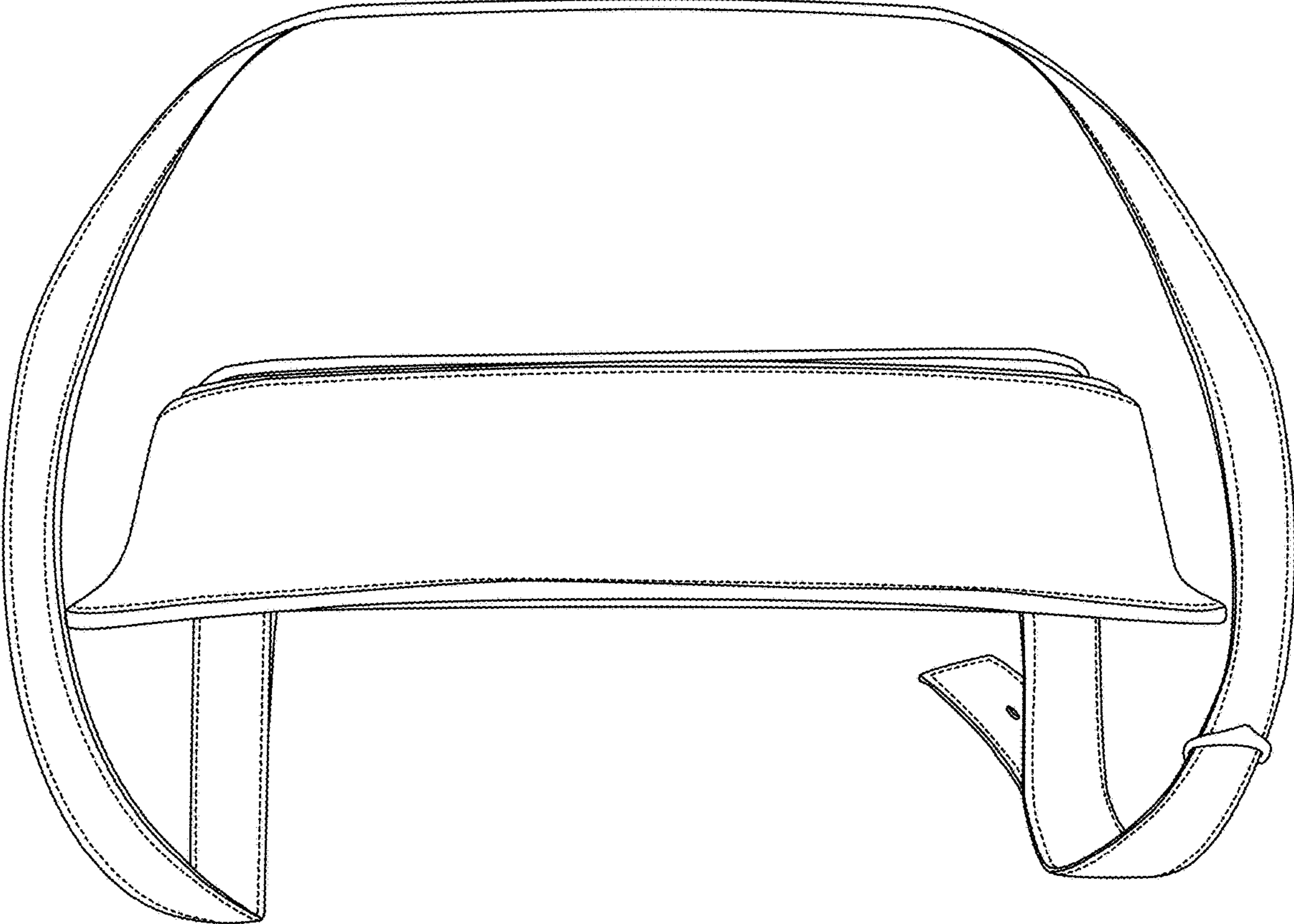


Fig. 4

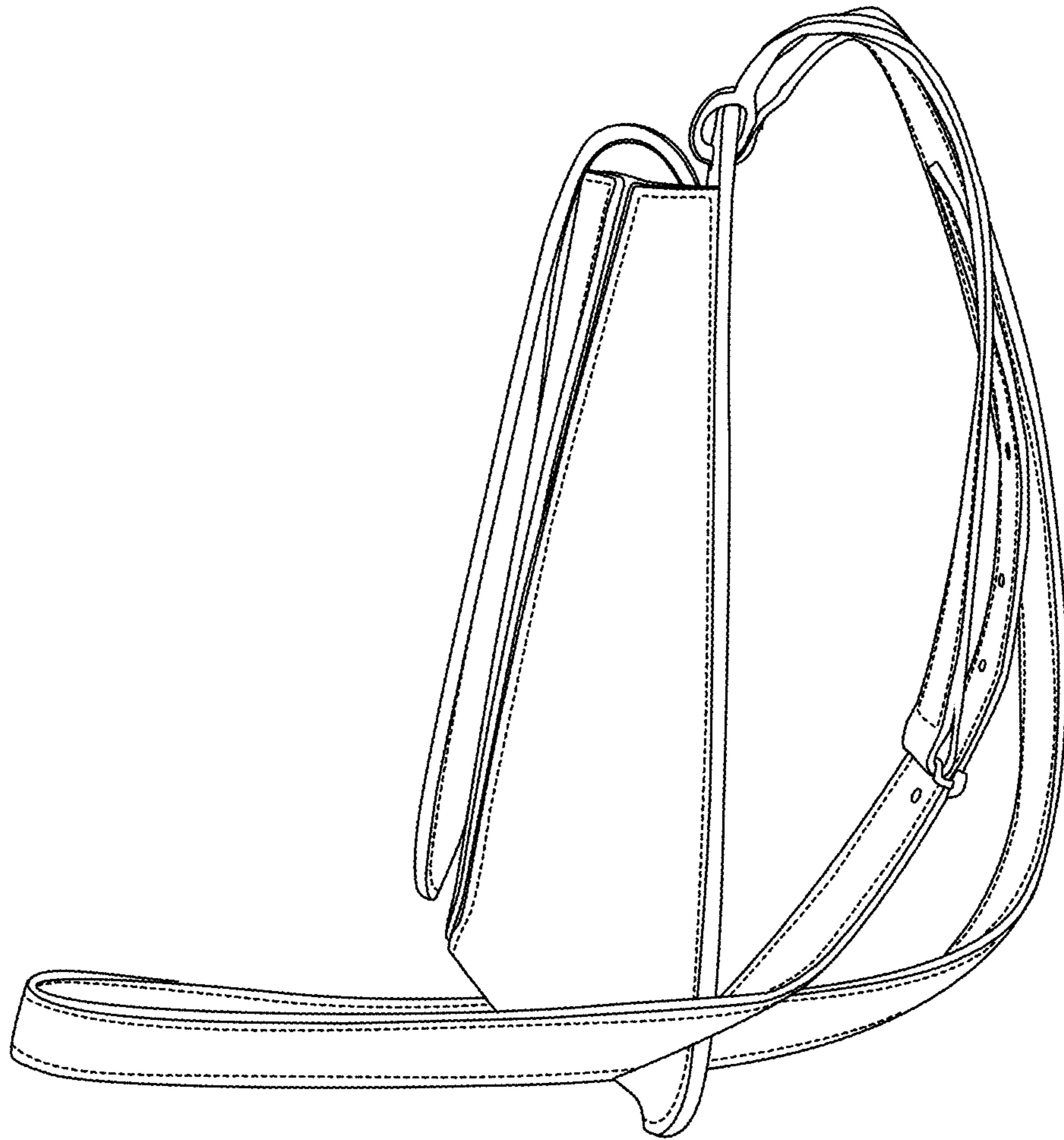


Fig. 5

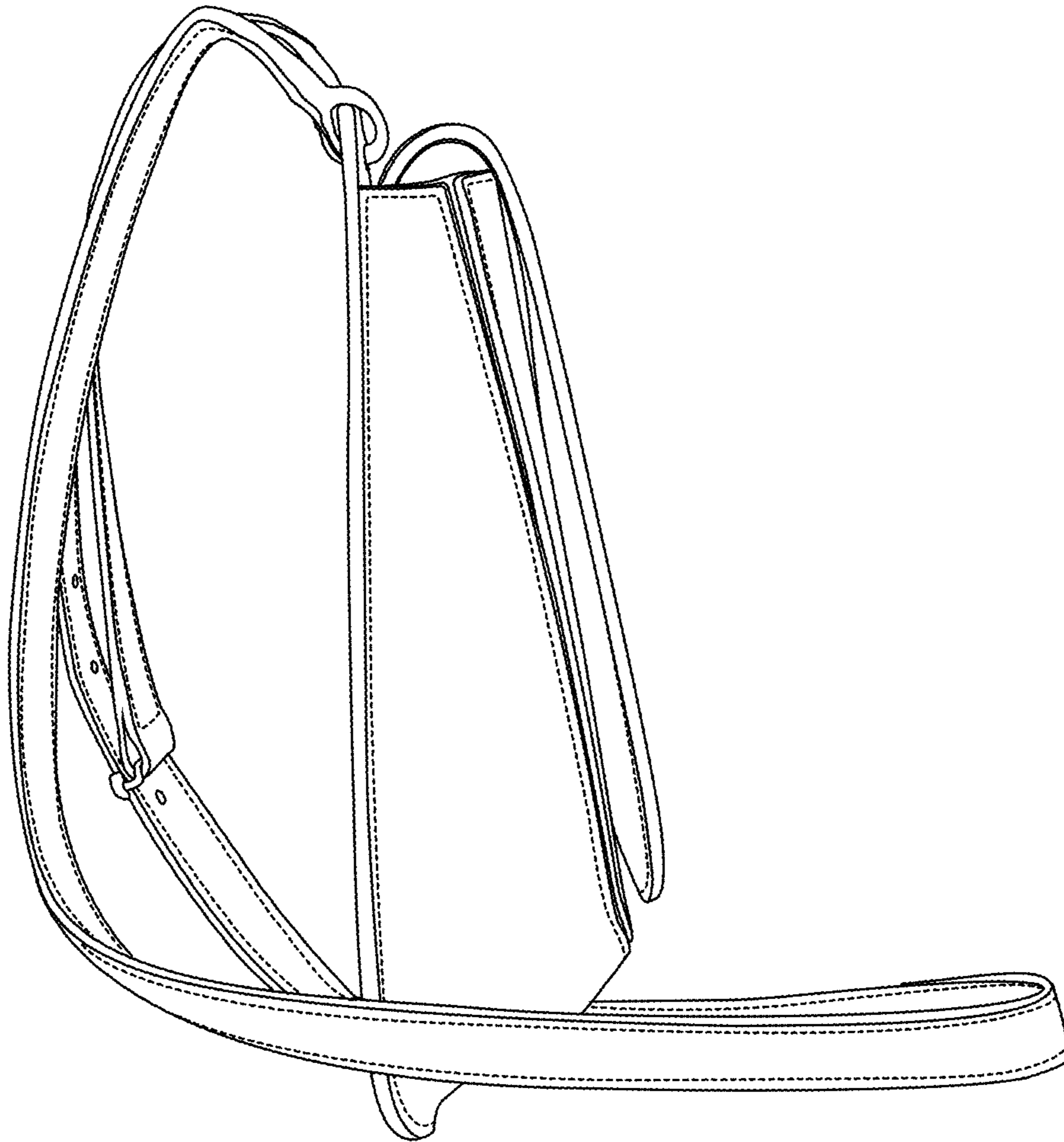


Fig. 6

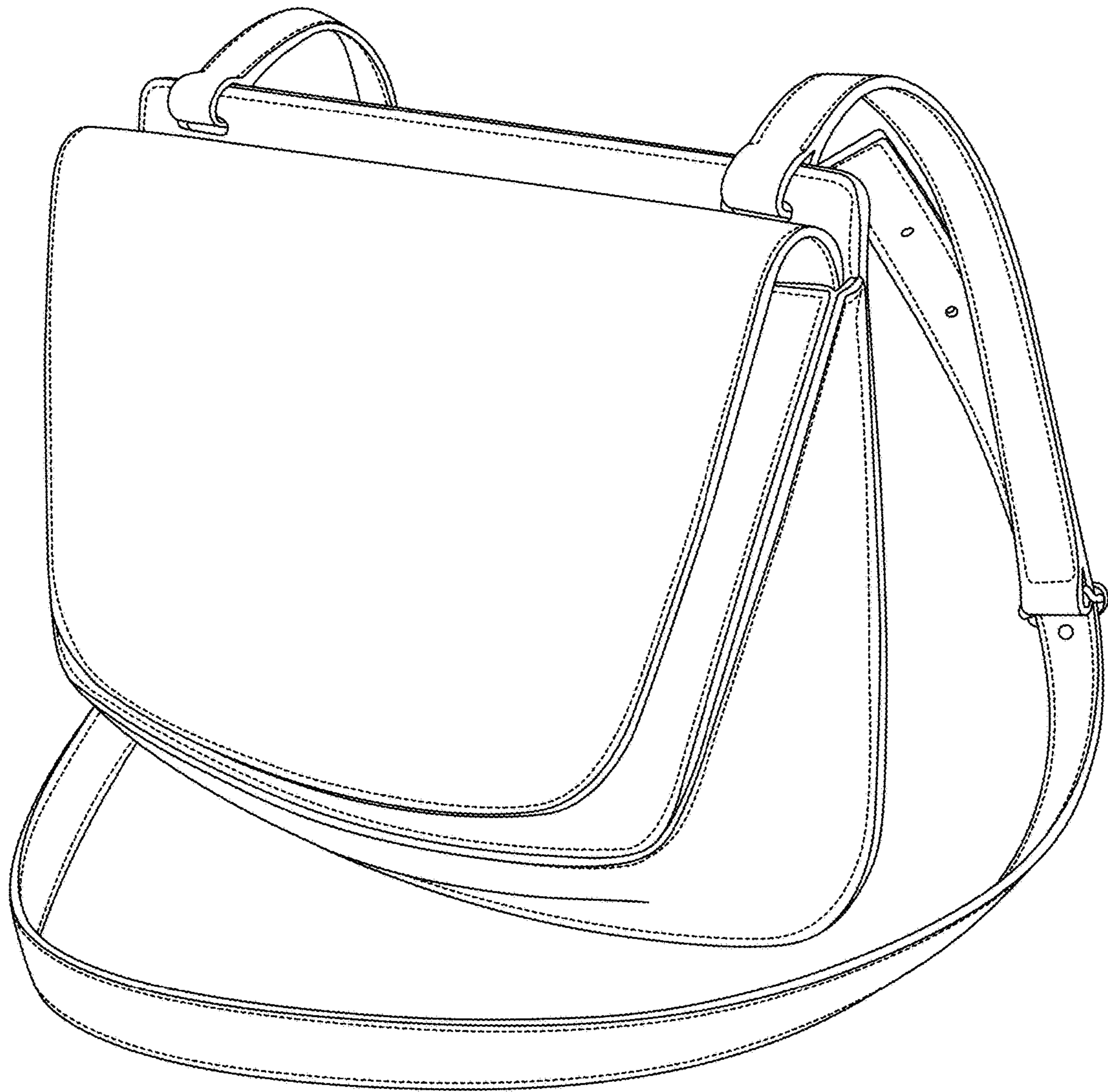


Fig. 7