



US00D813531S

(12) **United States Design Patent**  
**Santo Domingo**

(10) **Patent No.:** **US D813,531 S**  
(45) **Date of Patent:** **\*\* Mar. 27, 2018**

- (54) **ADJUSTABLE PET CARRYING BAG**
- (71) Applicant: **CAVE CANEM, LLC**, Los Angeles, CA (US)
- (72) Inventor: **Karen Santo Domingo**, Los Angeles, CA (US)
- (\*\*) Term: **15 Years**
- (21) Appl. No.: **29/590,282**
- (22) Filed: **Jan. 9, 2017**
- (51) **LOC (11) Cl.** ..... **03-01**
- (52) **U.S. Cl.**  
USPC ..... **D3/232; D3/246**
- (58) **Field of Classification Search**  
USPC ..... **D3/232-233, 240-243, 245-246**  
CPC ..... **A45C 1/024; A45C 3/06**  
See application file for complete search history.

- D767,882 S \* 10/2016 Javits, Jr. .... D3/232
- D767,887 S \* 10/2016 Kim ..... D3/245
- D768,378 S \* 10/2016 Schilp ..... D3/232

\* cited by examiner

*Primary Examiner* — Holly H Baynham  
(74) *Attorney, Agent, or Firm* — Stetina Brunda Garred & Brucker

(57) **CLAIM**

The ornamental design for an adjustable pet carrying bag, as shown and described.

**DESCRIPTION**

FIG. 1 is a top, front perspective view of the adjustable pet carrying bag of the present invention showing my new design;

FIG. 2 is a top plan view thereof;

FIG. 3 is a front elevational view thereof;

FIG. 4 is a back elevational view thereof;

FIG. 5 is a bottom plan view thereof;

FIG. 6 is a right side elevational view thereof;

FIG. 7 is a left side elevational view thereof; and,

FIG. 8 is a top, front perspective view thereof, illustrating the adjustable pet carrying bag in an alternative partially collapsed arrangement assuming an upwardly tapered profile.

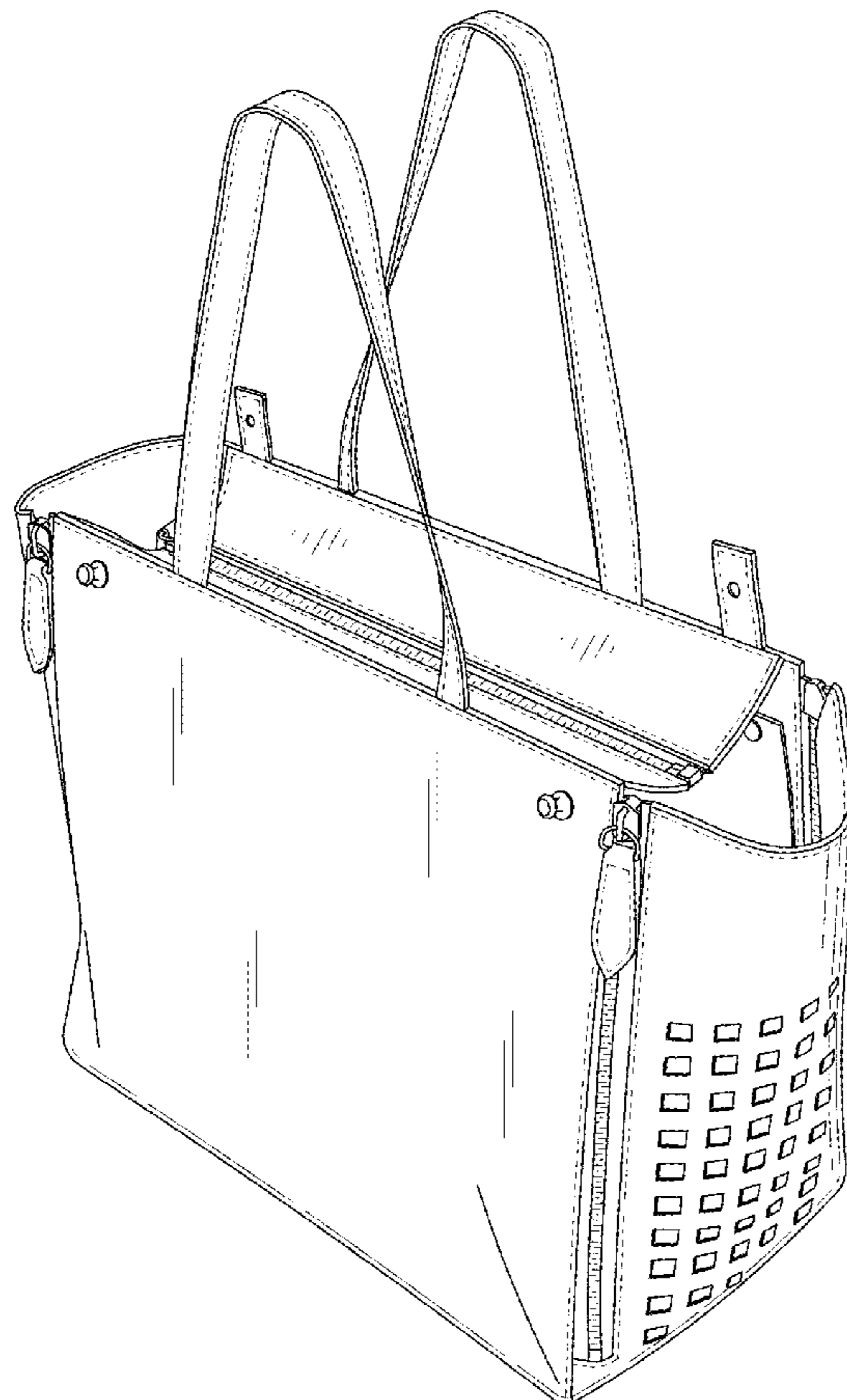
The broken lines representing stitching are part of the claimed design.

**1 Claim, 5 Drawing Sheets**

(56) **References Cited**

**U.S. PATENT DOCUMENTS**

- D630,844 S \* 1/2011 Wang ..... D3/232
- D725,900 S \* 4/2015 McCue ..... D3/232
- D726,407 S \* 4/2015 Kuster ..... D3/232
- D734,025 S \* 7/2015 Sassi ..... D3/232
- D758,717 S \* 6/2016 Joo ..... D3/232
- D761,018 S \* 7/2016 Gamble ..... D3/245



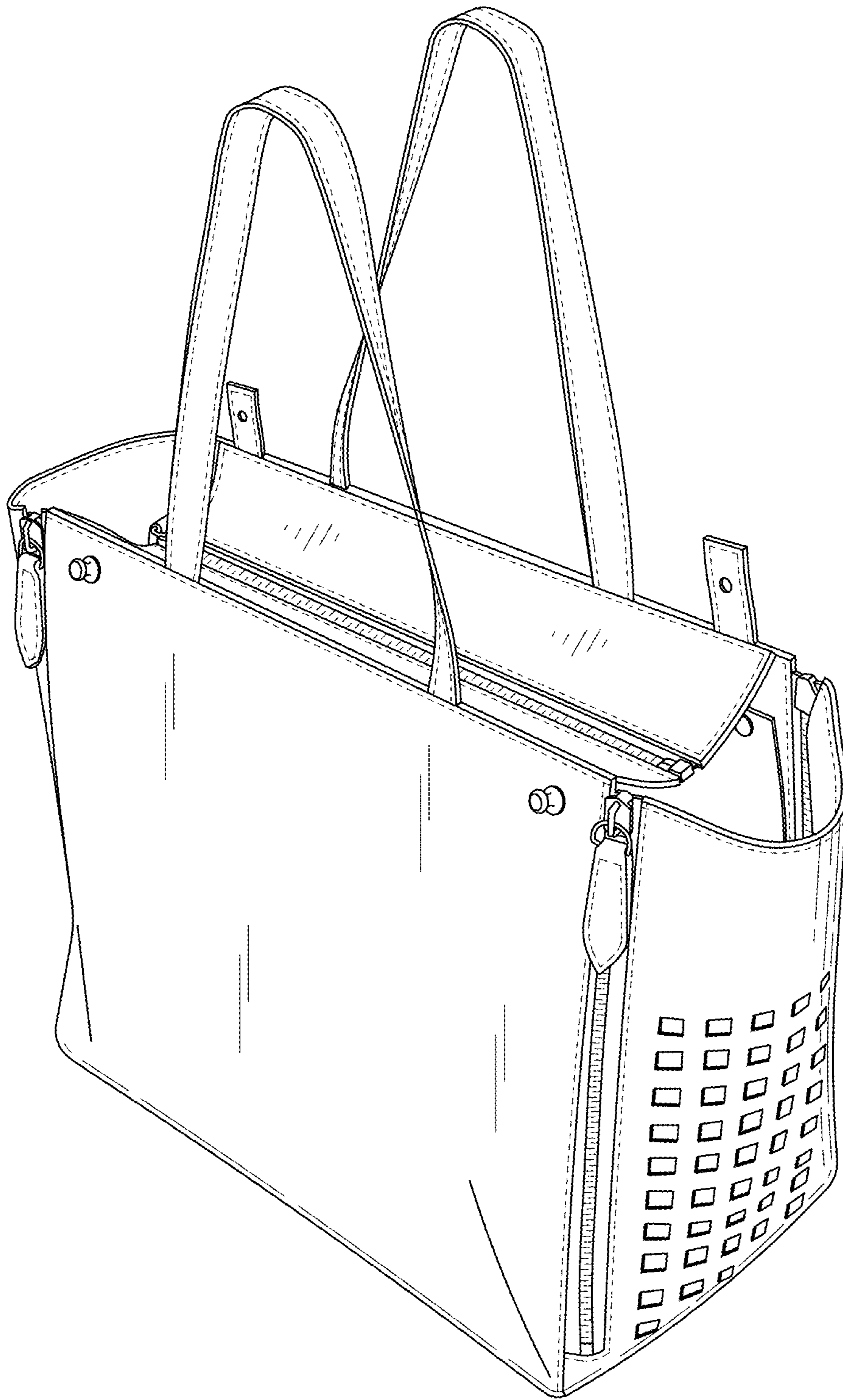


FIG. 1

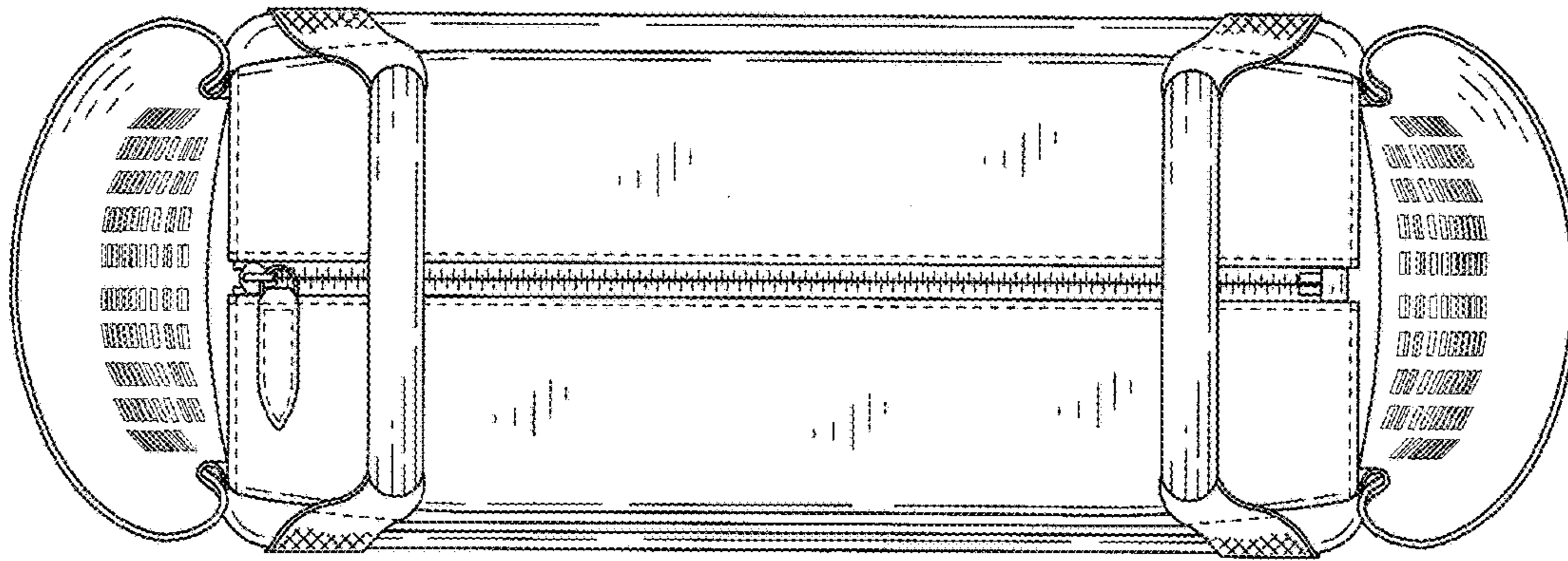


FIG. 2

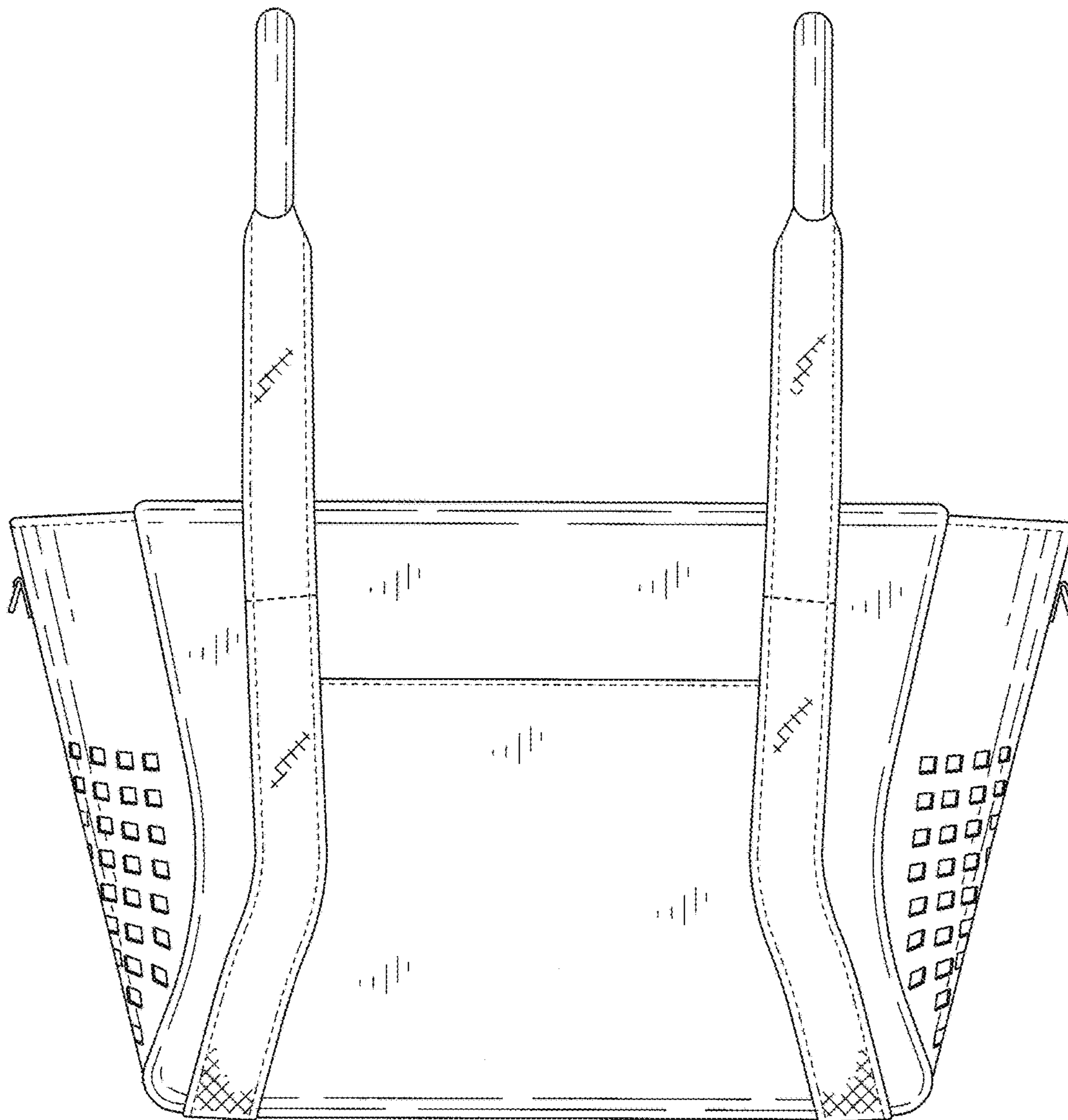


FIG. 3

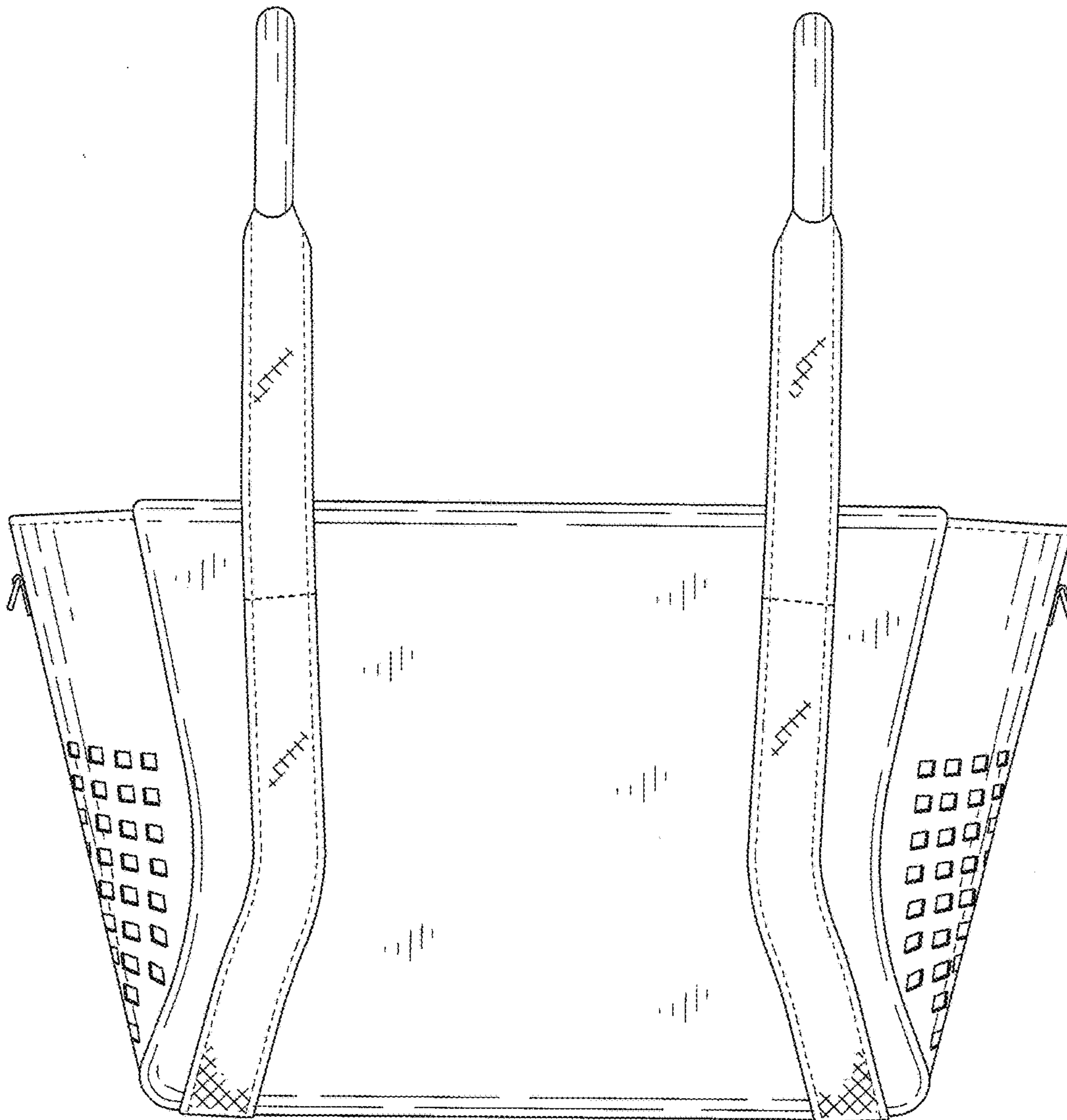


FIG. 4

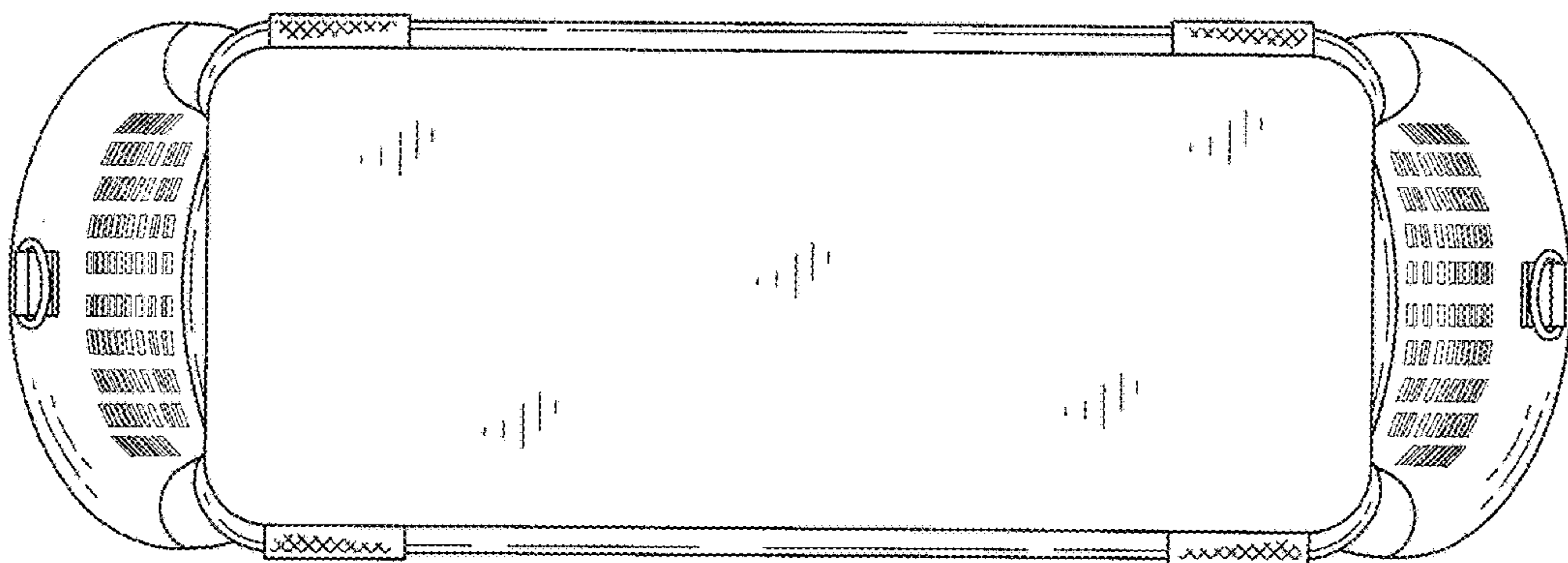


FIG. 5

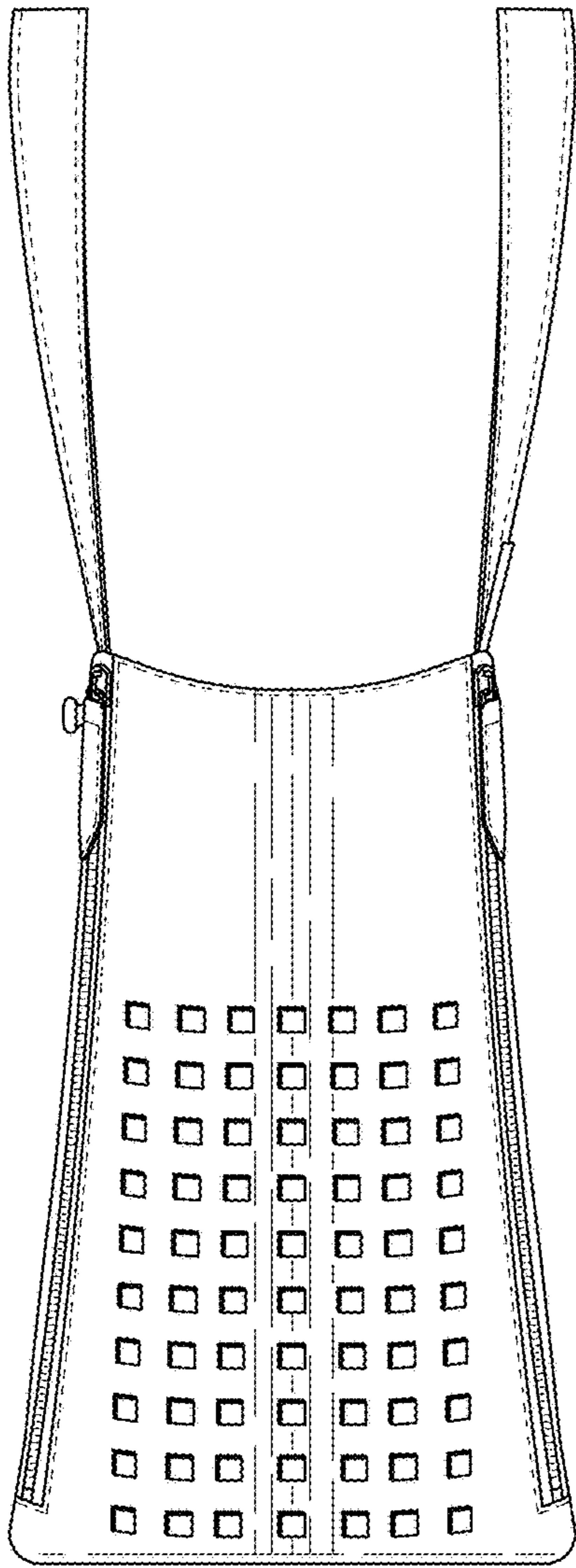


FIG. 6

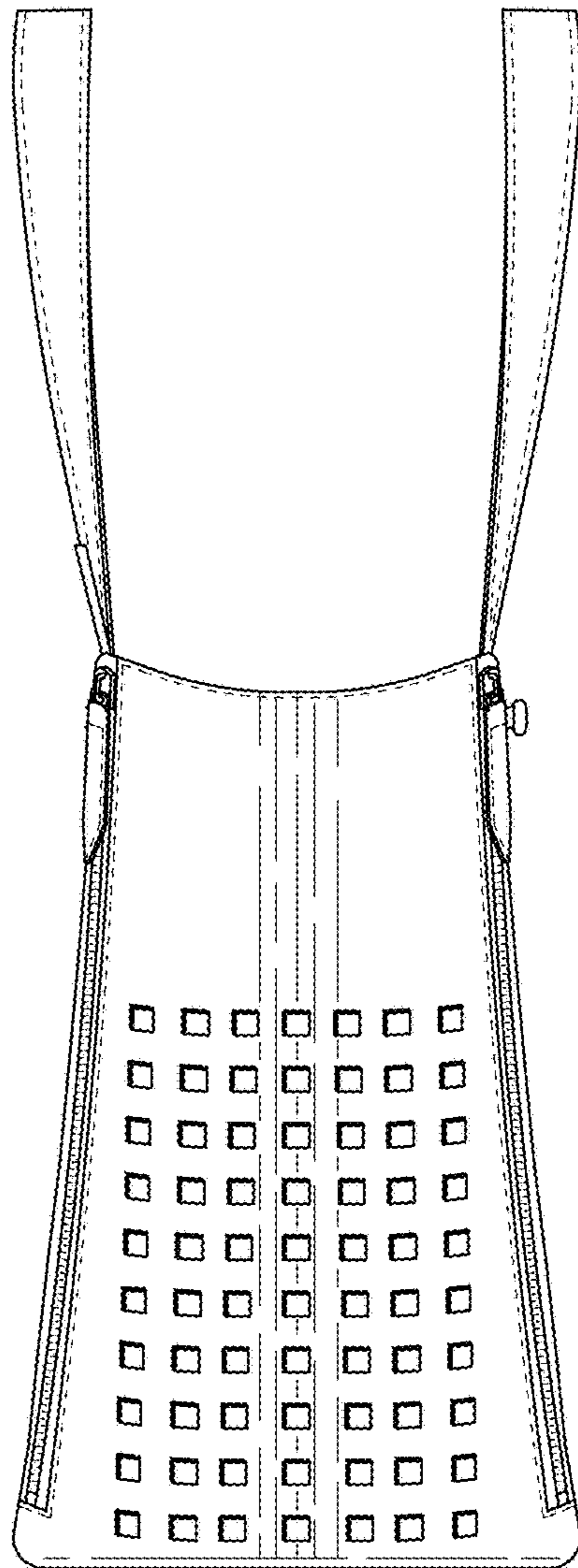


FIG. 7



FIG. 8

UNITED STATES PATENT AND TRADEMARK OFFICE  
**CERTIFICATE OF CORRECTION**

PATENT NO. : D813,531 S  
APPLICATION NO. : 29/590282  
DATED : March 27, 2018  
INVENTOR(S) : Karen Santo Domingo

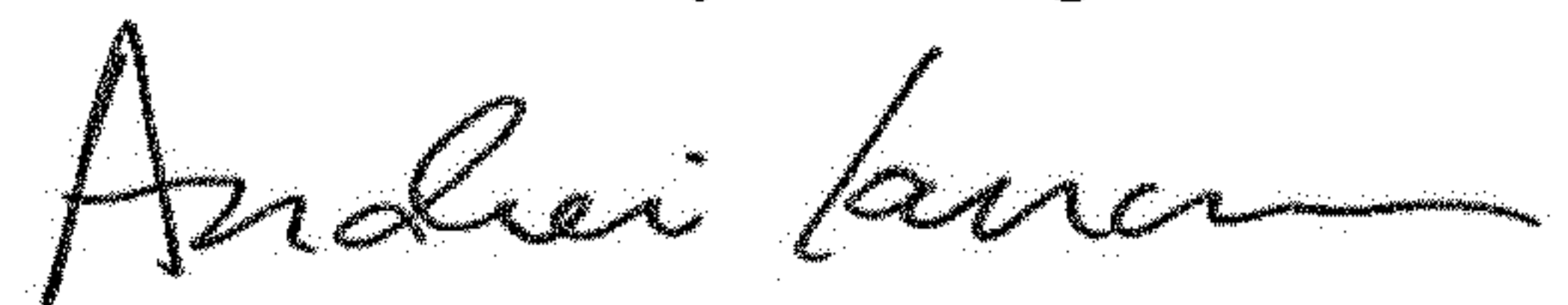
Page 1 of 3

It is certified that error appears in the above-identified patent and that said Letters Patent is hereby corrected as shown below:

In the Drawings

Please replace FIGS. 2-5 with FIGS. 2-5 as shown on the attached pages.

Signed and Sealed this  
Twentieth Day of August, 2019



Andrei Iancu  
*Director of the United States Patent and Trademark Office*

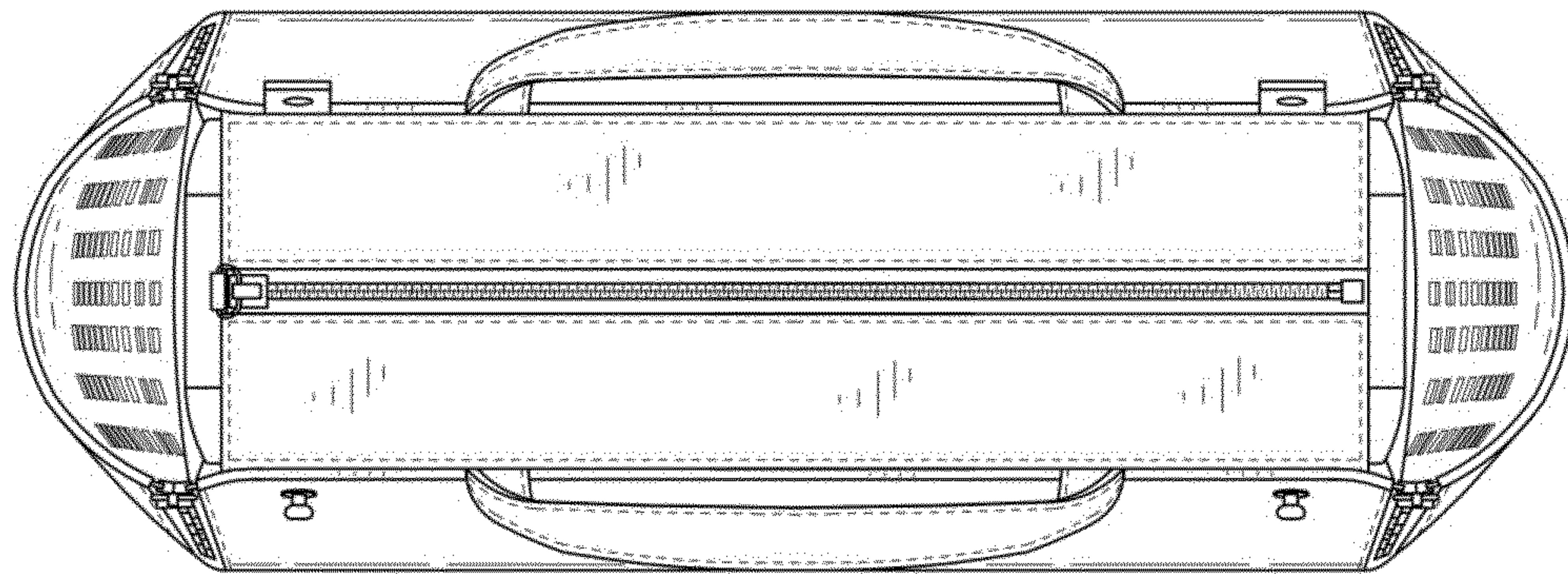


FIG. 2



FIG. 3





FIG. 4

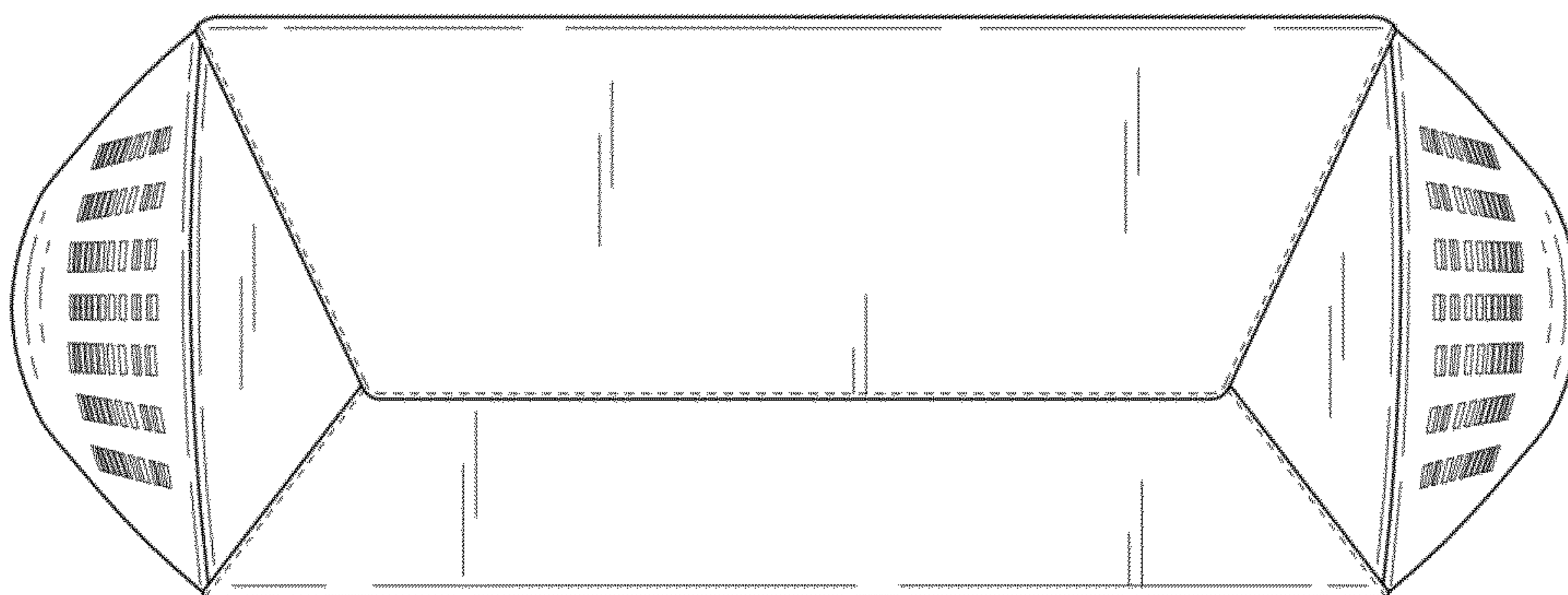


FIG. 5