



US00D813529S

(12) **United States Design Patent** (10) **Patent No.:** **US D813,529 S**  
**Li** (45) **Date of Patent:** **\*\* Mar. 27, 2018**

(54) **HOLDER FOR PORTABLE ELECTRONIC DEVICE**

D644,428 S \* 9/2011 Feng ..... D3/218  
9,451,821 B1 \* 9/2016 Estigoy ..... A45F 5/021  
D768,121 S \* 10/2016 Ormsbee ..... D14/250

(71) Applicant: **GETAC TECHNOLOGY CORPORATION**, Hsinchu County (TW)

\* cited by examiner

*Primary Examiner* — Catherine R Oliver-Garcia

(72) Inventor: **Chun-Hsing Li**, Taipei (TW)

(57) **CLAIM**

(73) Assignee: **Getac Technology Corporation**, Hsinchu County (TW)

The ornamental design for a holder for portable electronic device, as shown and described.

(\*\*) Term: **15 Years**

**DESCRIPTION**

(21) Appl. No.: **29/595,158**

(22) Filed: **Feb. 25, 2017**

(51) **LOC (11) Cl.** ..... **03-01**

(52) **U.S. Cl.**

USPC ..... **D3/218**

(58) **Field of Classification Search**

USPC ..... D3/218–219, 215, 201, 269, 247;  
224/183, 269, 242, 271, 666, 669, 670,  
224/930, 196; 206/305, 320; 24/3.11,  
24/3.12; 455/575.1–575.8; D14/248, 250

CPC ..... A45F 5/00; A45F 5/02; A45F 2005/026;  
A45F 2200/0508; A45F 2200/0516; A45F  
2200/0525

See application file for complete search history.

(56) **References Cited**

U.S. PATENT DOCUMENTS

D425,905 S \* 5/2000 Finkbeiner ..... D14/248

D478,418 S \* 8/2003 Badillo ..... A45F 5/02

6,626,336 B1 \* 9/2003 Krusell ..... A45F 5/02

6,786,372 B2 \* 9/2004 Enkerlin ..... A45F 5/02

D601,799 S \* 10/2009 Andre ..... D3/303

D606,739 S \* 12/2009 Fahrendorff ..... D3/218

D609,460 S \* 2/2010 Riccardi ..... D3/218

D613,498 S \* 4/2010 Tsai ..... D3/218

FIG. 1 is a top front left perspective view showing a first embodiment of my new design;

FIG. 2 is a top rear right perspective view thereof;

FIG. 3 is a front view thereof;

FIG. 4 is a rear view thereof;

FIG. 5 is a left side view thereof;

FIG. 6 is a right side view thereof;

FIG. 7 is a top view thereof;

FIG. 8 is a bottom view thereof;

FIG. 9 is a reference perspective view of the first embodiment of my new design installed on a portable electronic device;

FIG. 10 is a top front left perspective view showing a second embodiment of my new design;

FIG. 11 is a top rear right perspective view thereof;

FIG. 12 is a front view thereof;

FIG. 13 is a rear view thereof;

FIG. 14 is a left side view thereof;

FIG. 15 is a right side view thereof;

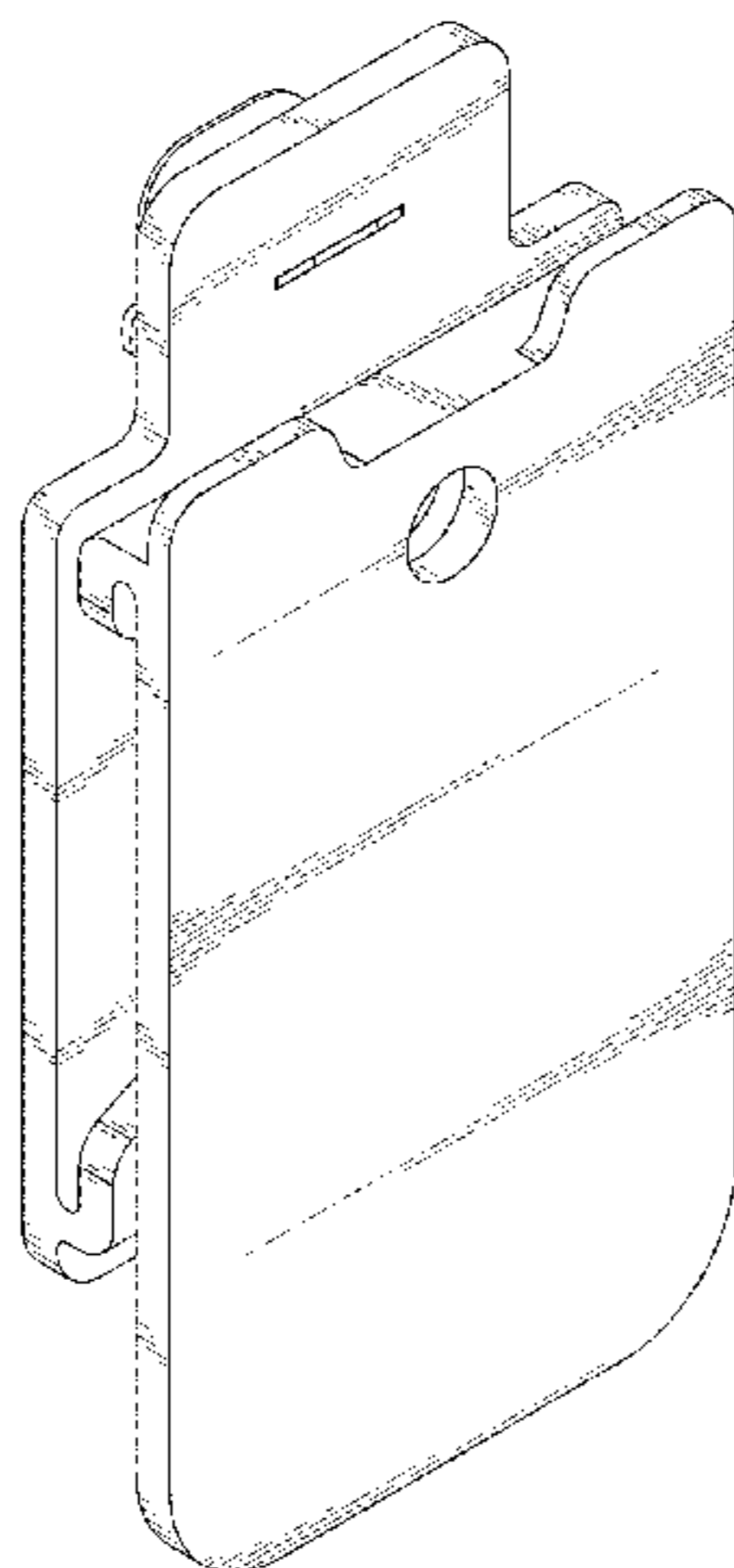
FIG. 16 is a top view thereof;

FIG. 17 is a bottom view thereof; and,

FIG. 18 is a reference perspective view of the second embodiment of my new design installed on a portable electronic device.

The broken lines depict environmental structure and are included for the purpose of illustrating only and form no part of the claimed design.

**1 Claim, 14 Drawing Sheets**



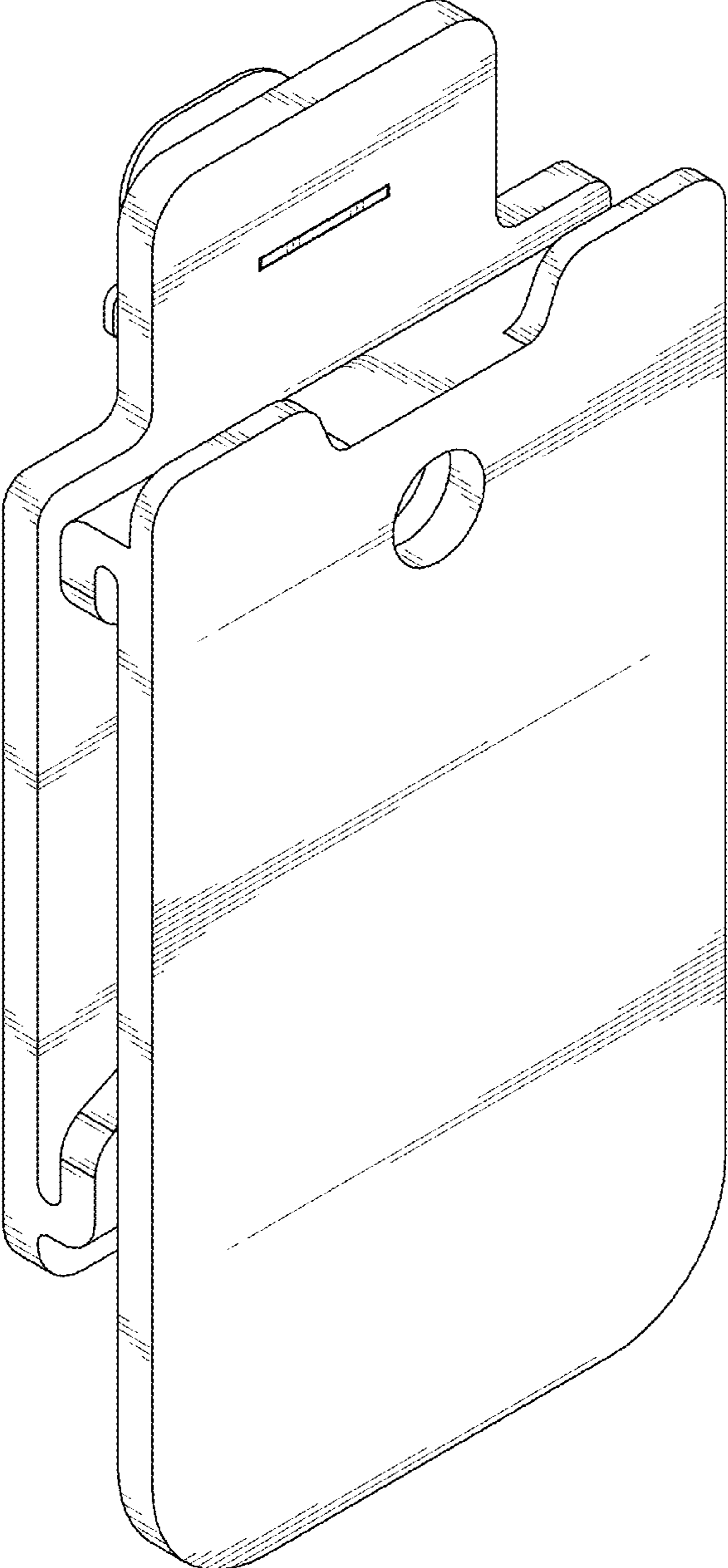


FIG. 1

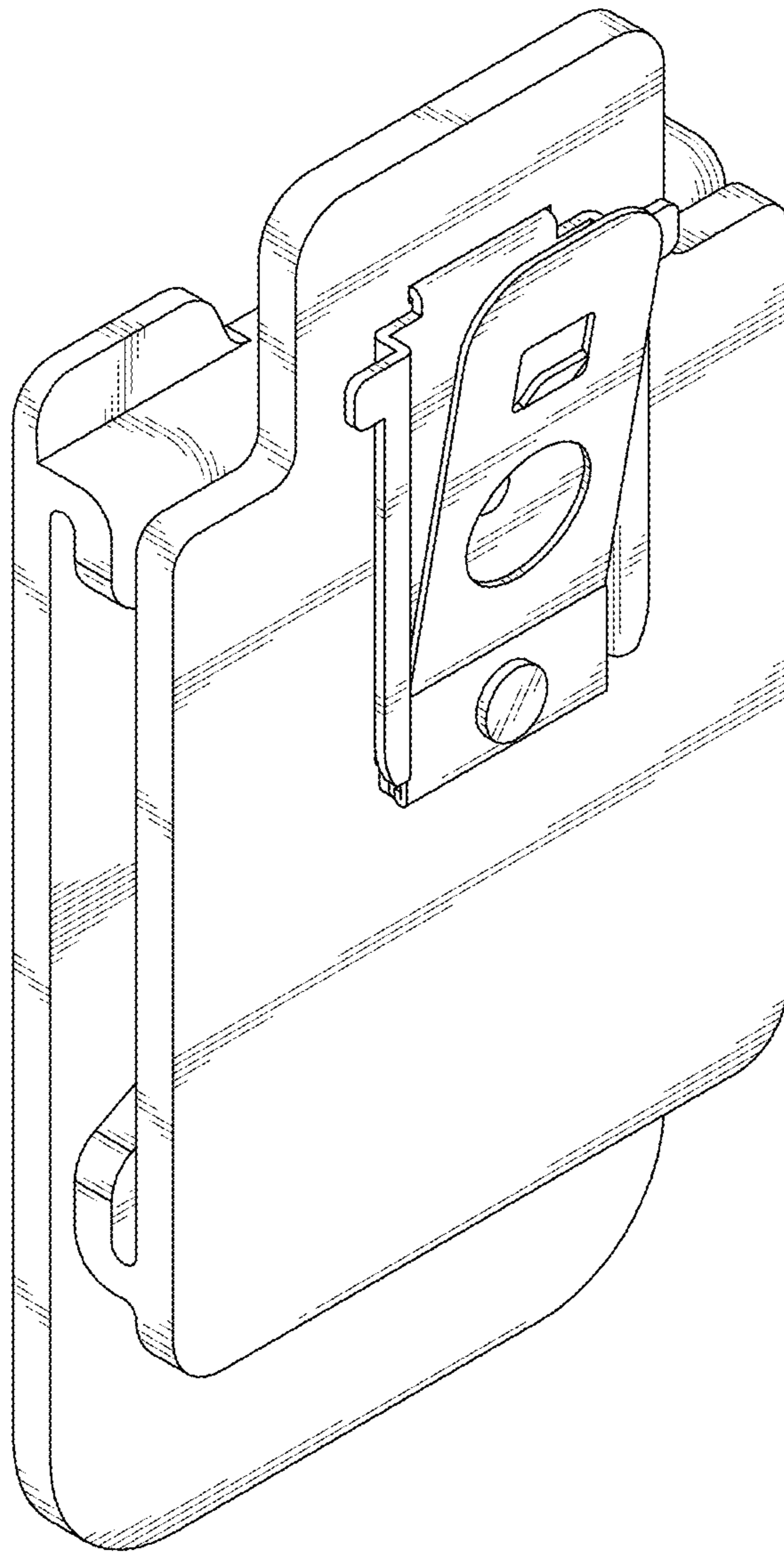


FIG. 2

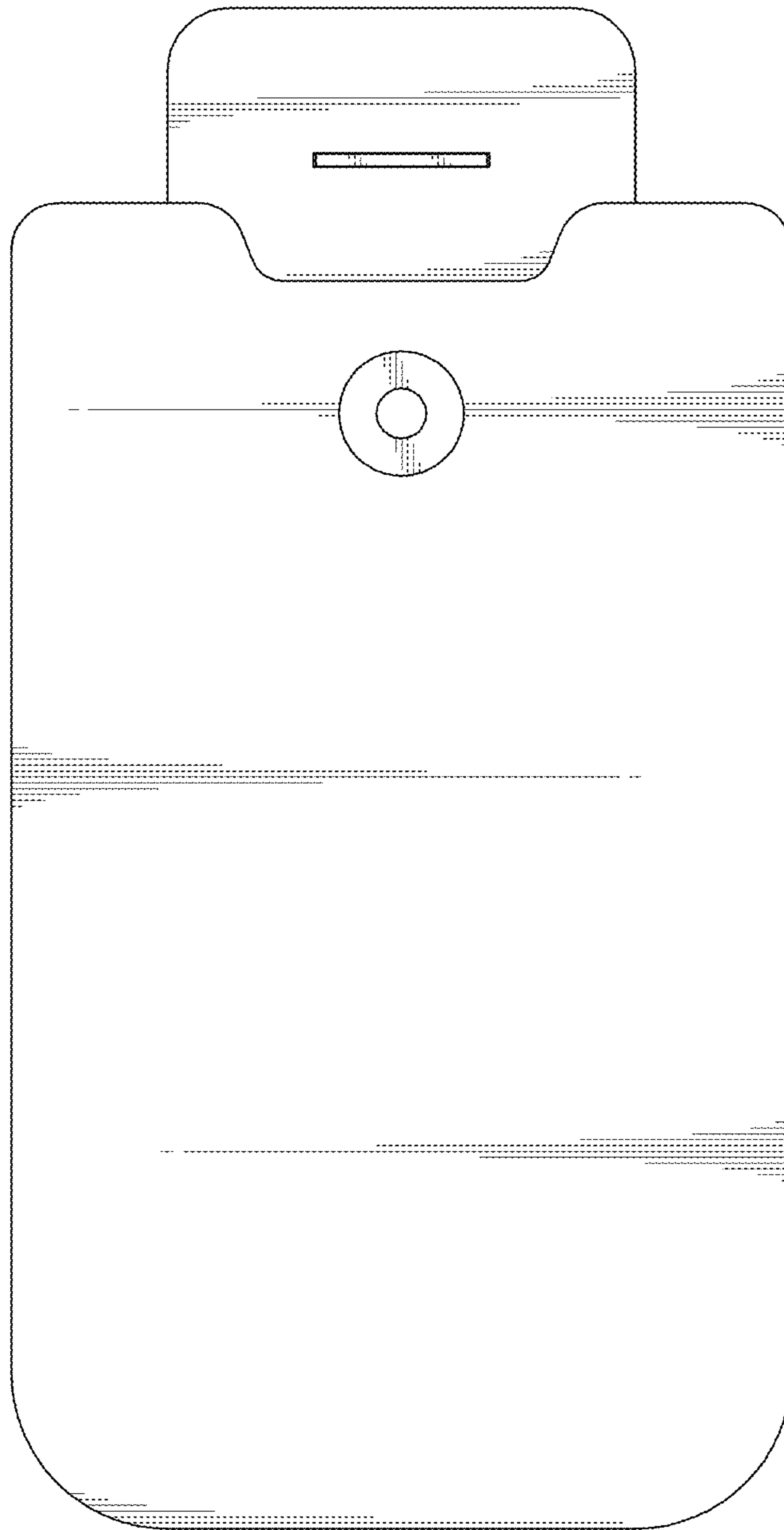


FIG. 3

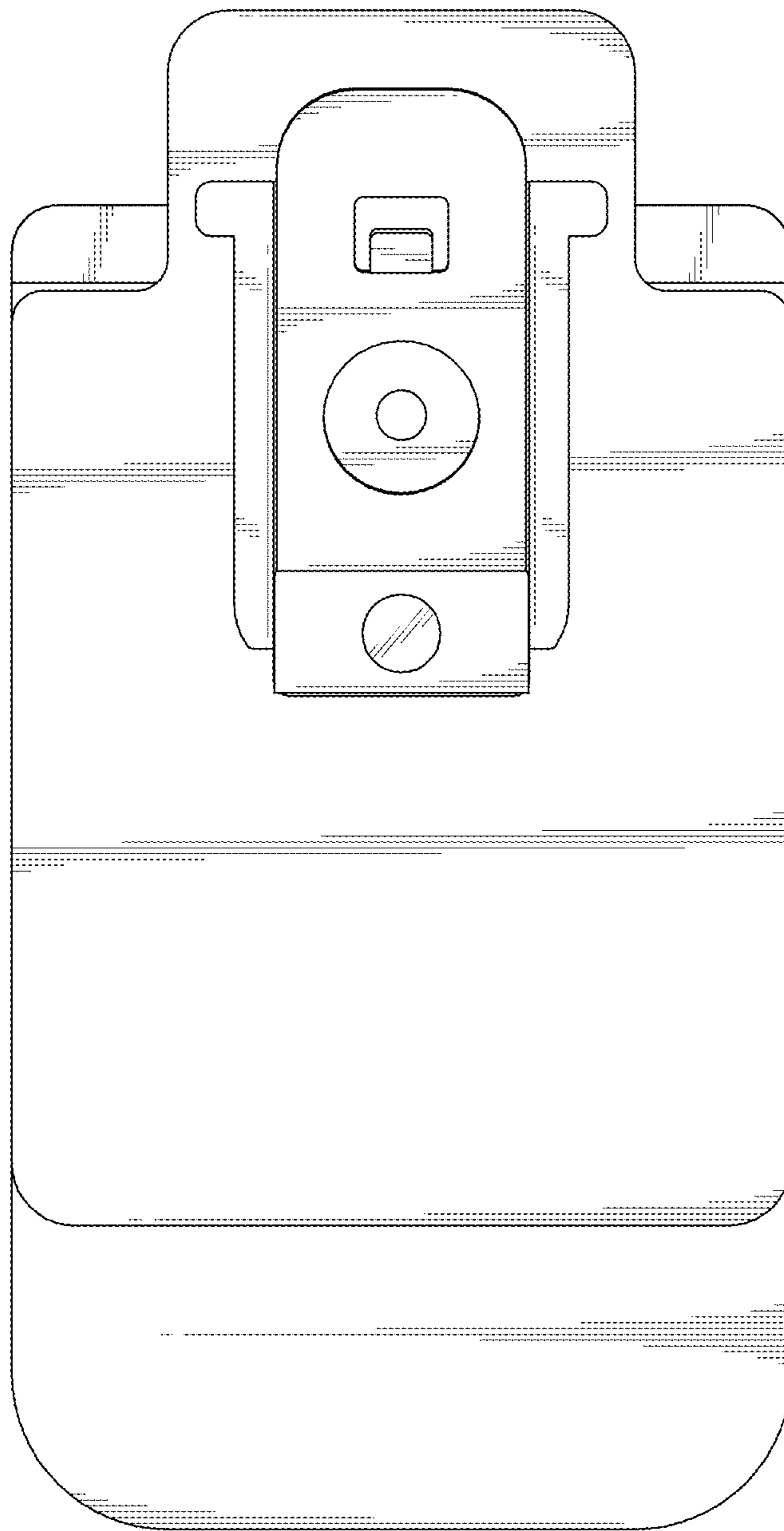


FIG. 4

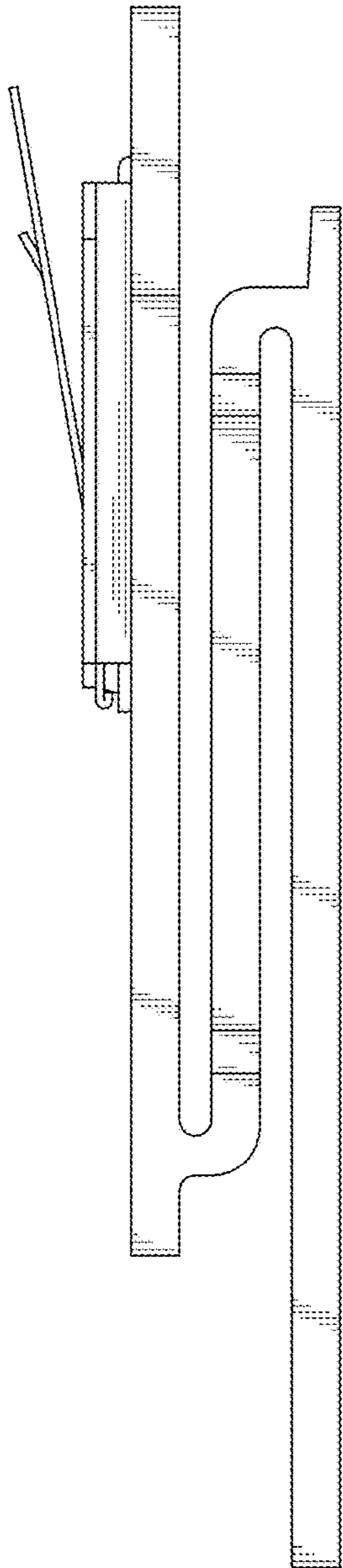


FIG. 5

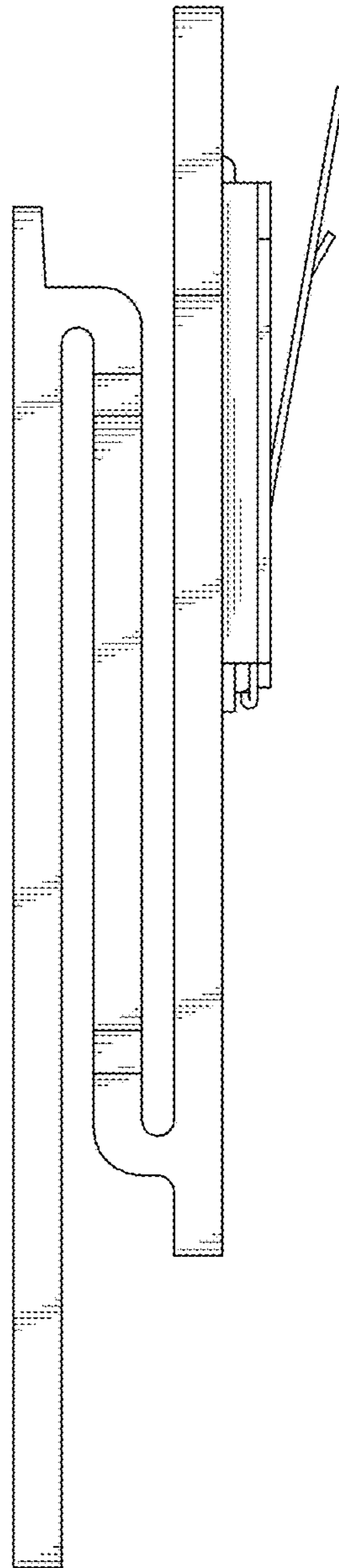


FIG. 6

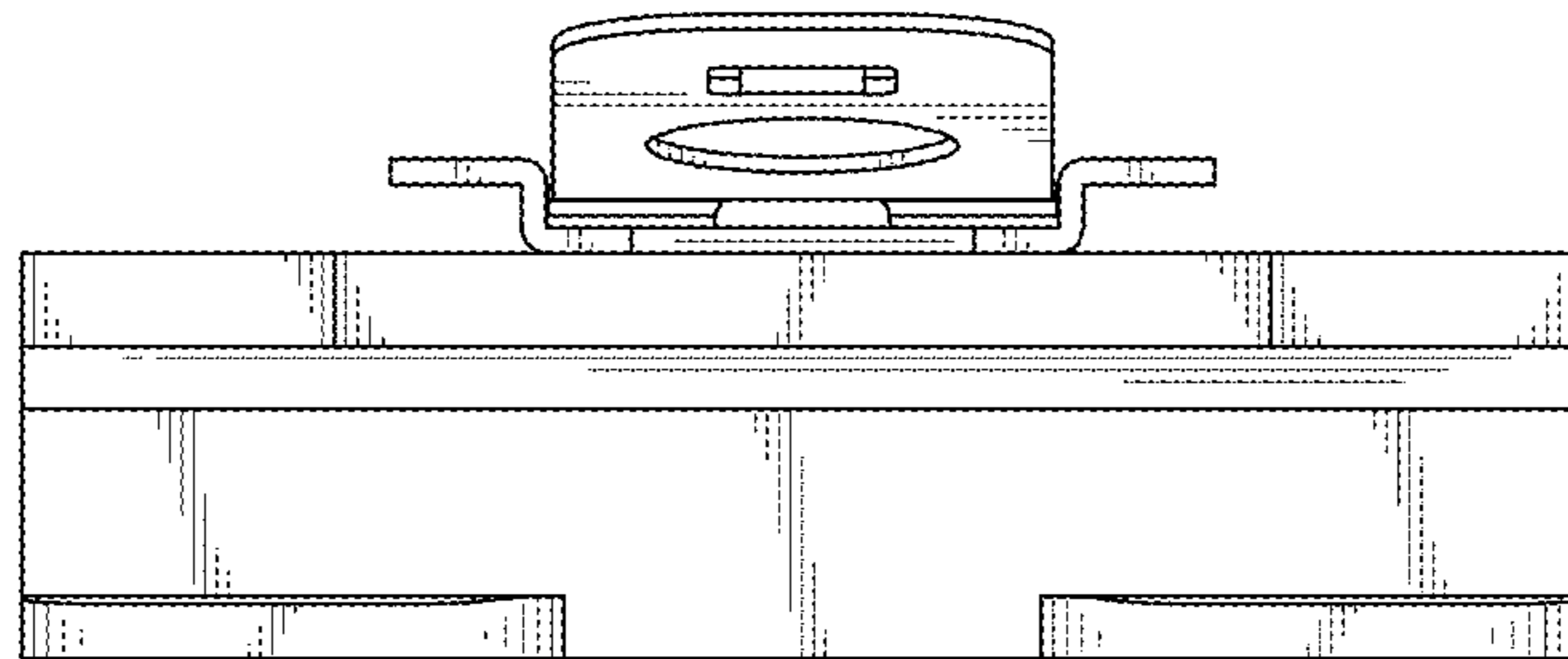


FIG. 7

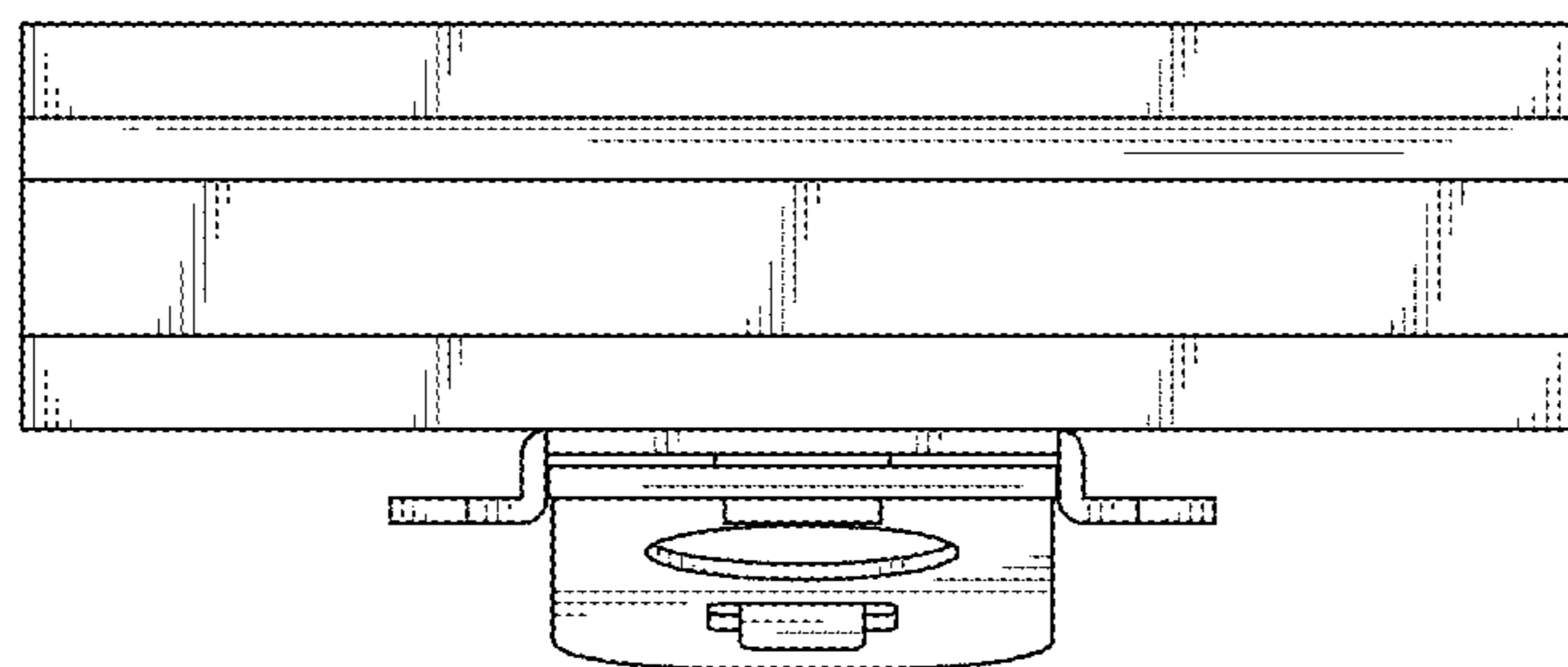


FIG. 8

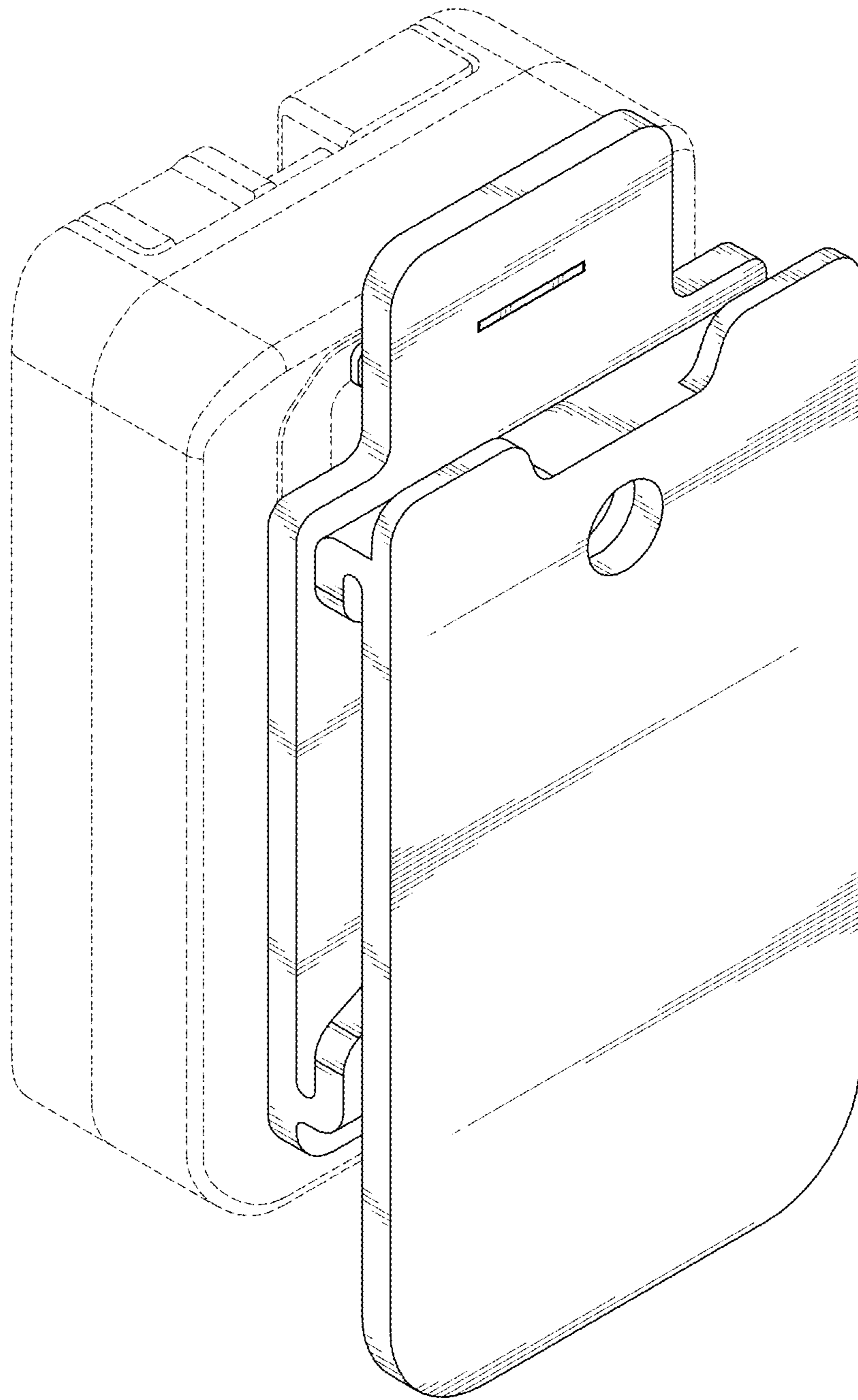


FIG. 9



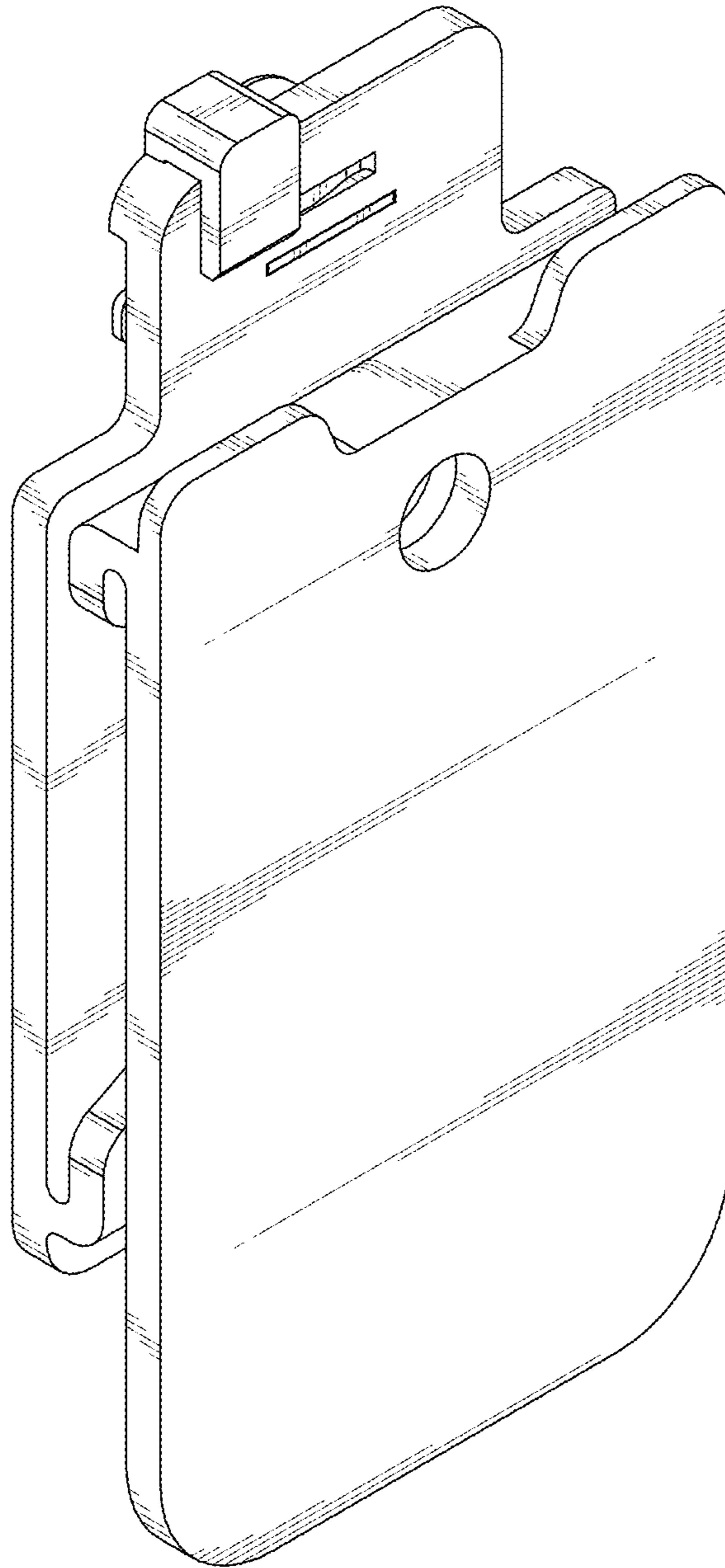


FIG. 10

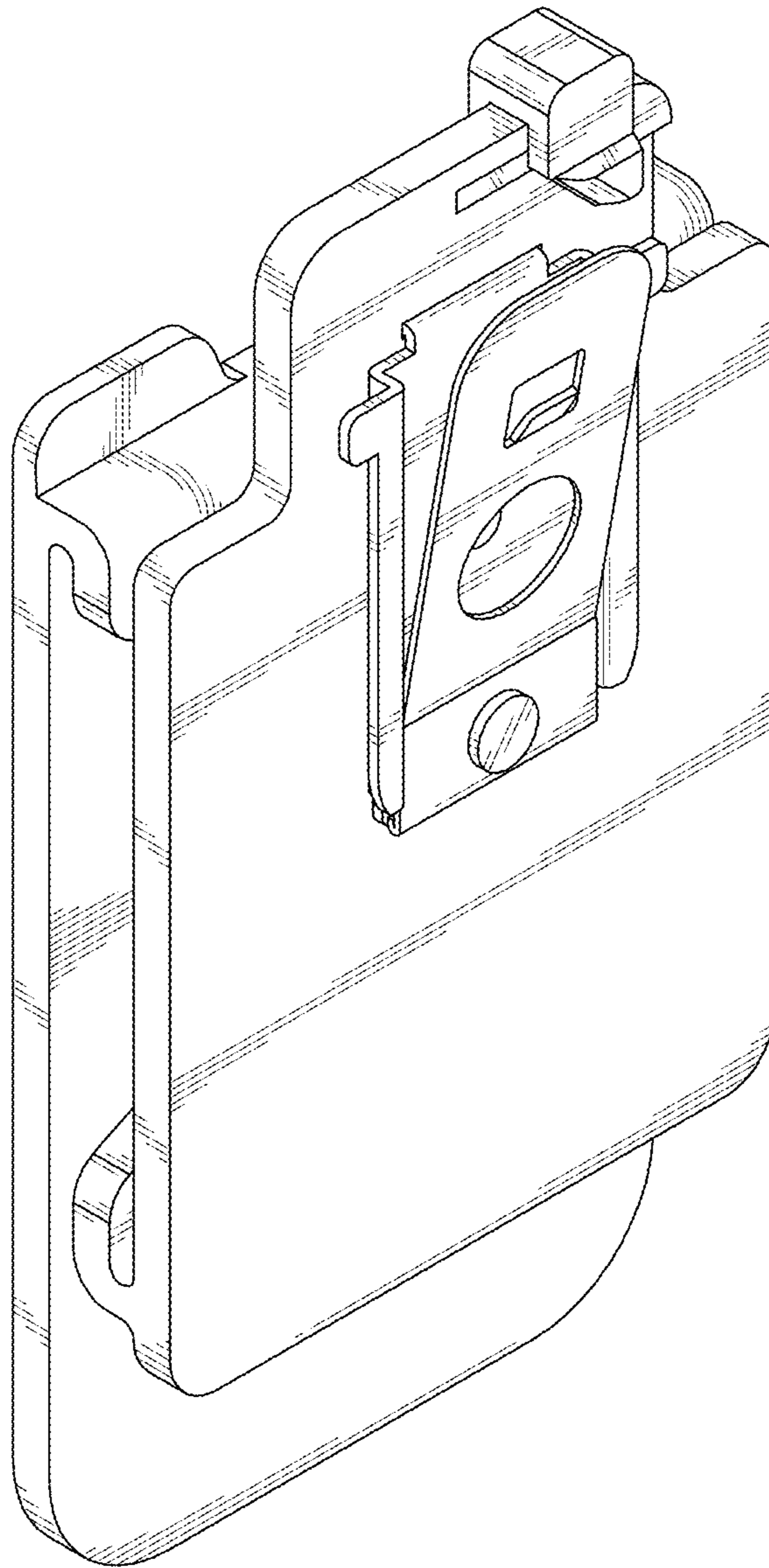


FIG. 11

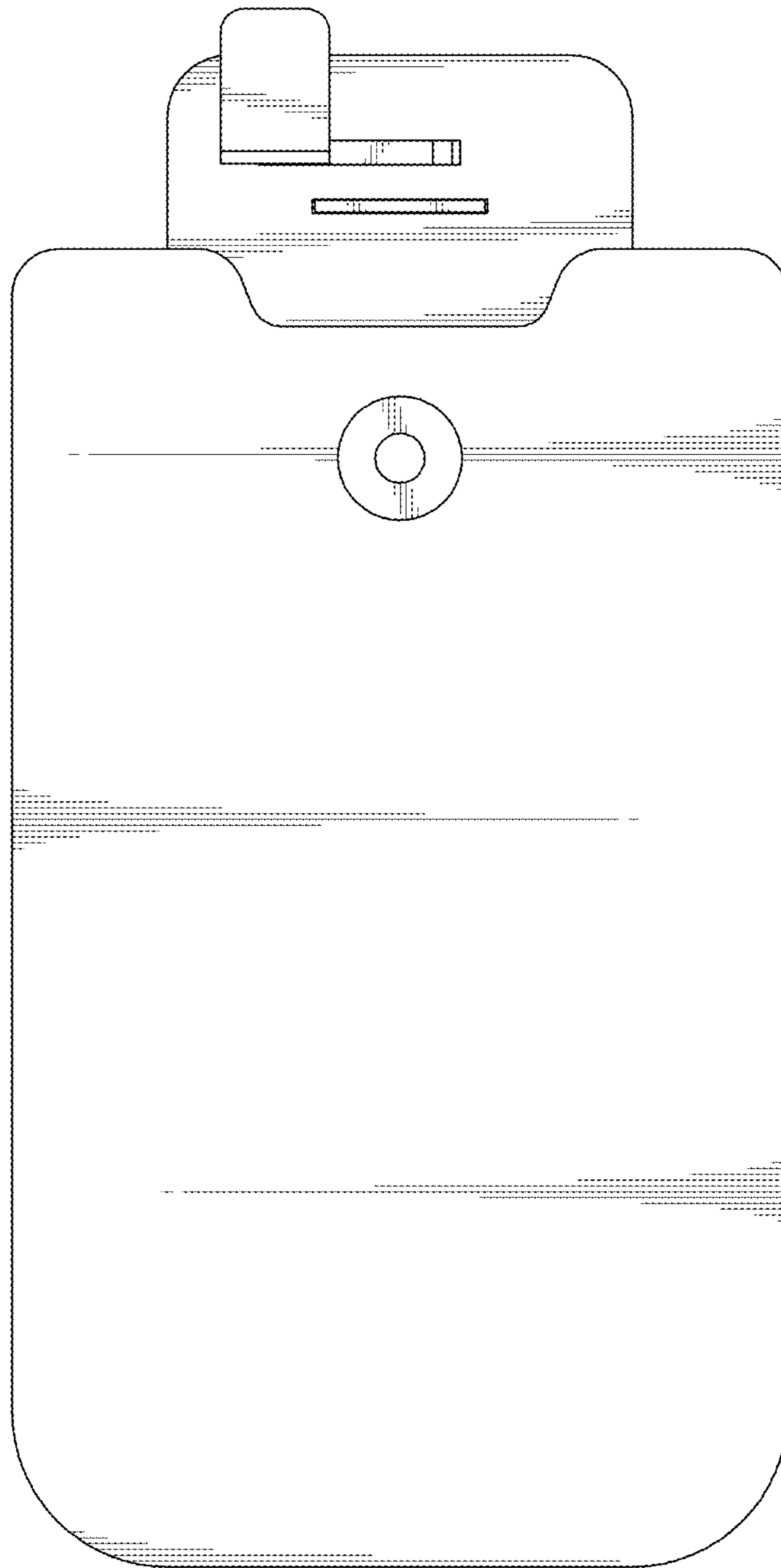


FIG. 12

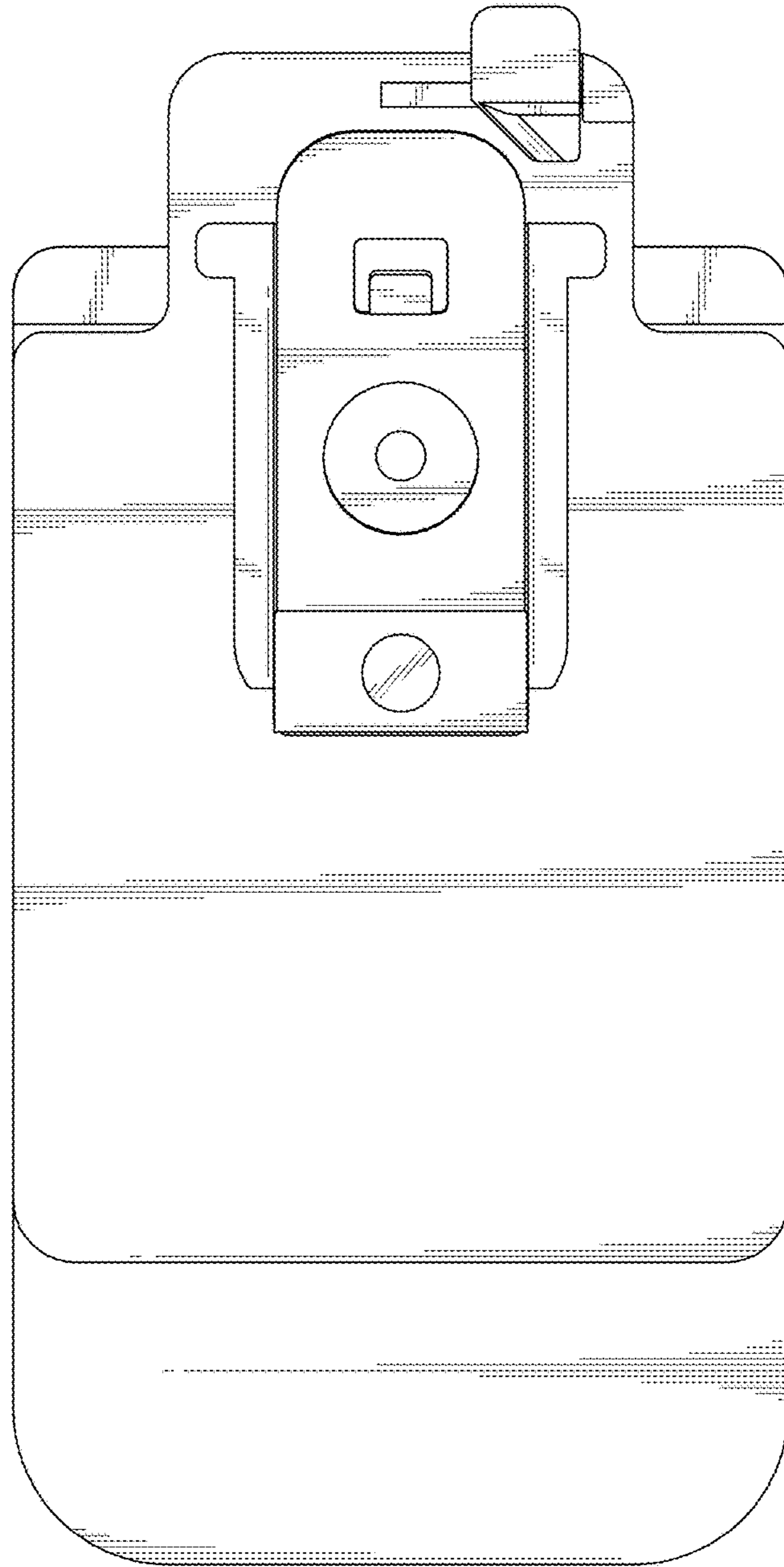


FIG. 13

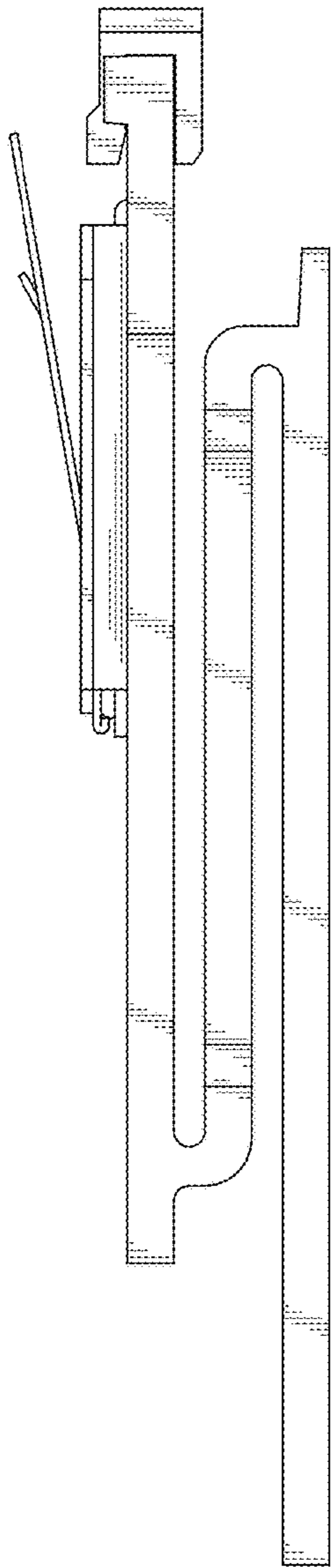


FIG. 14

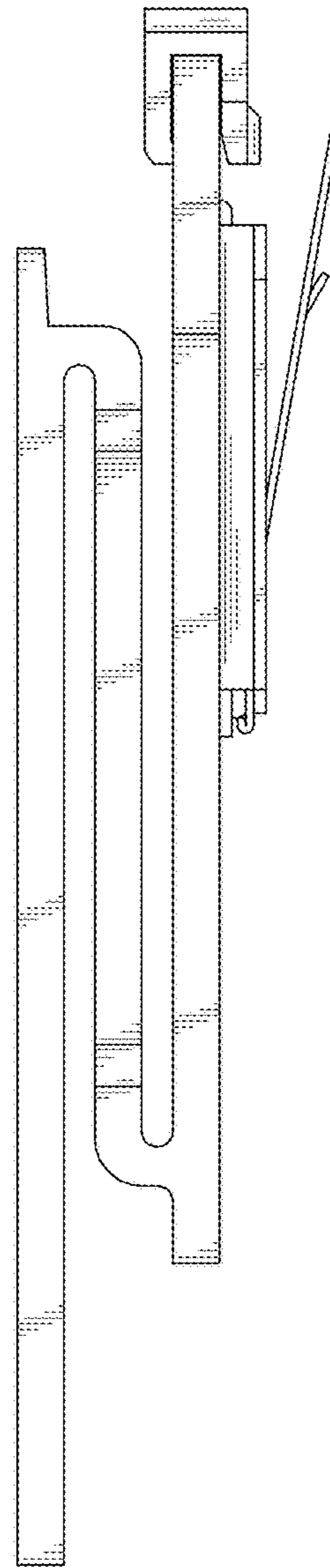


FIG. 15

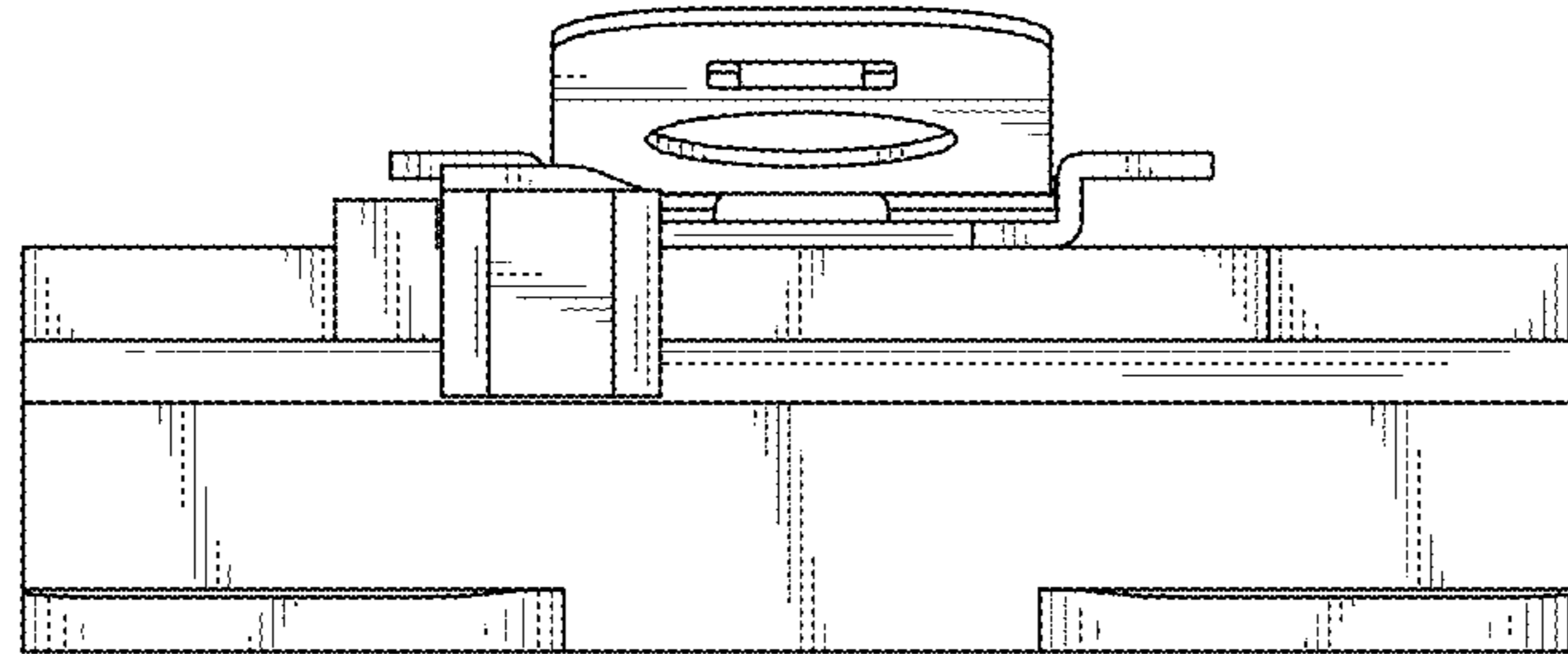


FIG. 16

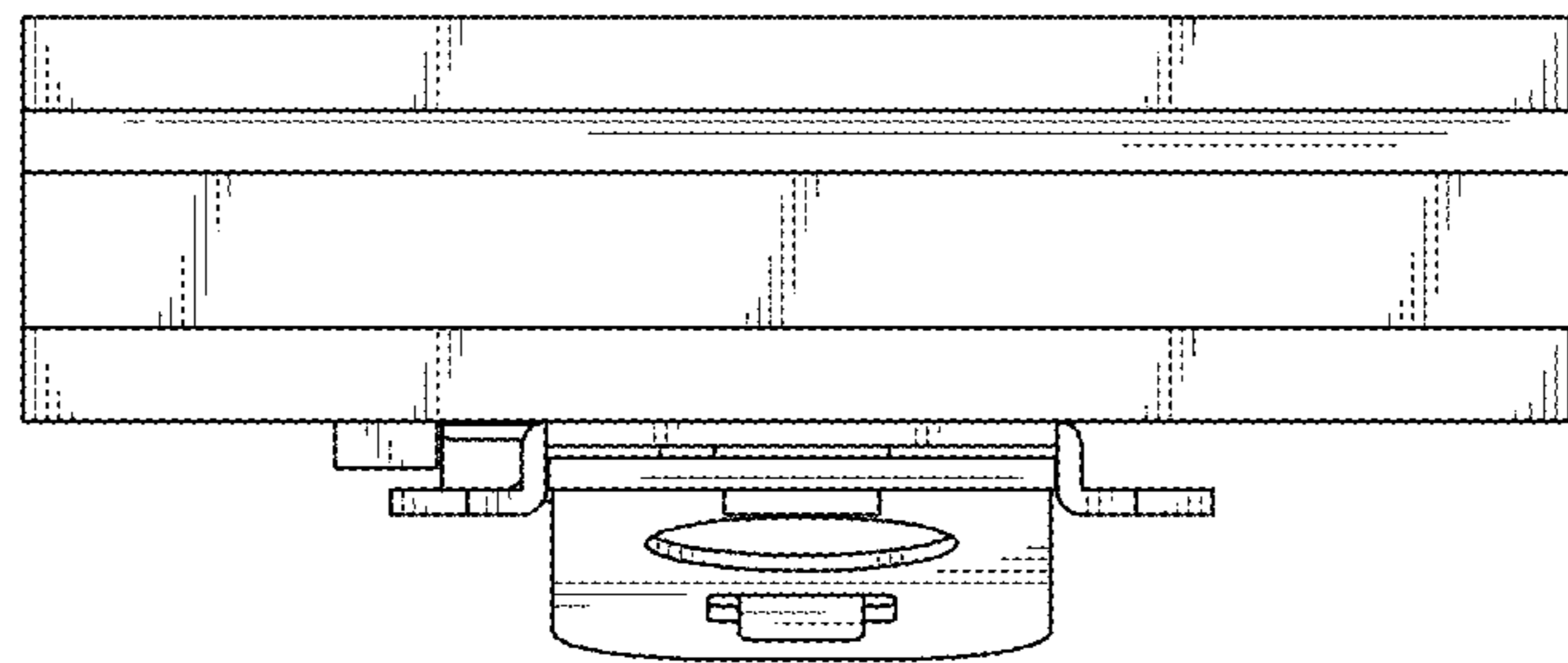


FIG. 17

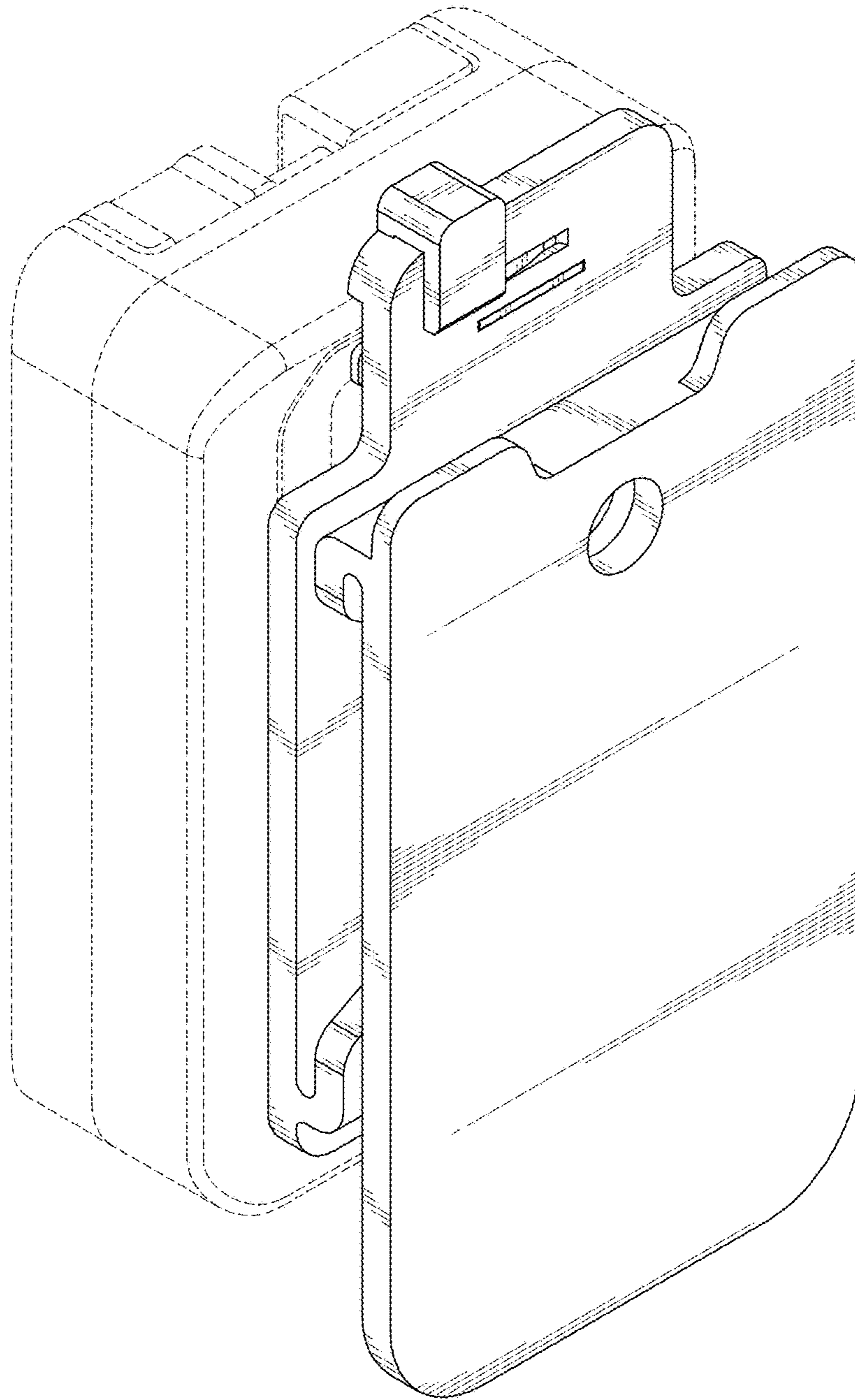


FIG. 18