



US00D813528S

(12) **United States Design Patent**
Harris

(10) **Patent No.:** **US D813,528 S**
(45) **Date of Patent:** **** Mar. 27, 2018**

- (54) **WEARABLE HYDRATION SYSTEM**
- (71) Applicant: **Derwin A. Harris**, Cane Ridge, TN (US)
- (72) Inventor: **Derwin A. Harris**, Cane Ridge, TN (US)
- (**) Term: **15 Years**
- (21) Appl. No.: **29/572,182**
- (22) Filed: **Jul. 26, 2016**
- (51) **LOC (11) Cl.** **03-01**
- (52) **U.S. Cl.**
USPC **D3/215; D3/202; D3/229; D7/507; D7/624.2; D7/620; D24/113**
- (58) **Field of Classification Search**
USPC **D7/509, 510, 511, 507, 300.2, 624.2, D7/620; D24/112, 113, 114, 115, 117; D3/215, 202, 229; 224/148.2**
CPC **A45F 3/047; A45F 3/16; A47D 13/025**
See application file for complete search history.

5,722,573 A	3/1998	Carnel	
5,864,880 A	2/1999	Adam	
D411,915 S *	7/1999	George	D3/202
5,975,387 A	11/1999	Gleason et al.	
D419,762 S *	2/2000	Riley	D3/216
6,199,729 B1	3/2001	Drzymkowski	
6,398,088 B1 *	6/2002	Burke	A47D 13/025 224/148.6
6,497,348 B2	12/2002	Forsman et al.	
6,698,631 B1	3/2004	Haskins	
6,722,533 B2	4/2004	Skillern	
6,923,357 B2	8/2005	Smith	
D511,440 S *	11/2005	McRoberts	D7/620
D526,776 S *	8/2006	Riley	D3/215
D549,525 S *	8/2007	Kozel	D7/620
7,490,740 B2	2/2009	Robins et al.	
D618,060 S *	6/2010	Williamson	D7/506
D622,550 S *	8/2010	Meigs	D7/620
D648,934 S *	11/2011	Ferreiro	D3/202

(Continued)

Primary Examiner — Marianne Pandozzi

(57) **CLAIM**

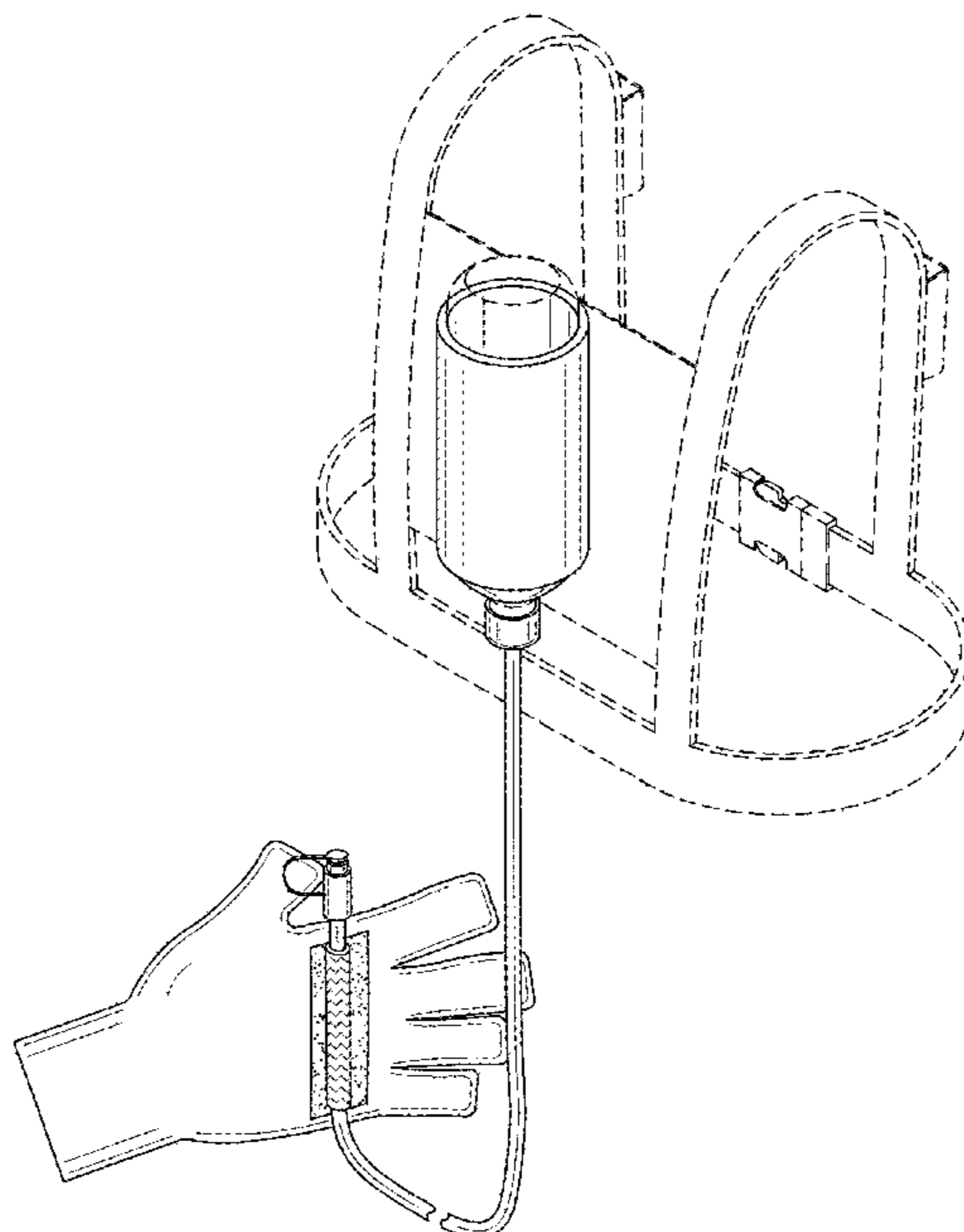
The ornamental design for a wearable hydration system, as shown and described.

DESCRIPTION

FIG. 1 is a front view of a wearable hydration system showing my new design;
 FIG. 2 is a rear view of the wearable hydration system;
 FIG. 3 is a left side view of the wearable hydration system;
 FIG. 4 is a right side view of the wearable hydration system;
 FIG. 5 is a bottom view of the wearable hydration system;
 FIG. 6 is a top view of the wearable hydration system; and,
 FIG. 7 is an in use perspective view of the wearable hydration system.
 The broken lines in the drawing depict environmental subject matter only and form no part of the claimed design.

1 Claim, 7 Drawing Sheets

- (56) **References Cited**
U.S. PATENT DOCUMENTS
- 4,139,130 A 2/1979 Glusker et al.
- 4,526,298 A * 7/1985 Boxer A45F 3/16
222/130
- 4,544,087 A 10/1985 Modig
- 4,948,023 A 8/1990 Tripp
- 4,984,023 A 1/1991 Yoshida
- D323,430 S * 1/1992 Niederkorn 224/221
- D332,657 S * 1/1993 Bamford D24/107
- 5,221,016 A 6/1993 Karpal
- 5,333,768 A * 8/1994 Krentz A45F 3/14
224/623
- 5,427,290 A 6/1995 Thatcher



(56)

References Cited

U.S. PATENT DOCUMENTS

8,167,177 B1 * 5/2012 Galgano A45F 3/16
222/175
D768,934 S * 10/2016 Osweiler D28/38
D802,293 S * 11/2017 Sola D3/202
2002/0124294 A1 * 9/2002 McKenzie A41D 13/0002
2/69
2006/0163284 A1 * 7/2006 Karl A45F 3/18
222/175
2008/0217367 A1 * 9/2008 Lillie A45F 3/047
224/148.2
2015/0374107 A1 * 12/2015 Melling A45F 3/16
222/1
2017/0081209 A1 * 3/2017 Robert B01D 29/27
2017/0360184 A1 * 12/2017 Butler A45F 3/20

* cited by examiner

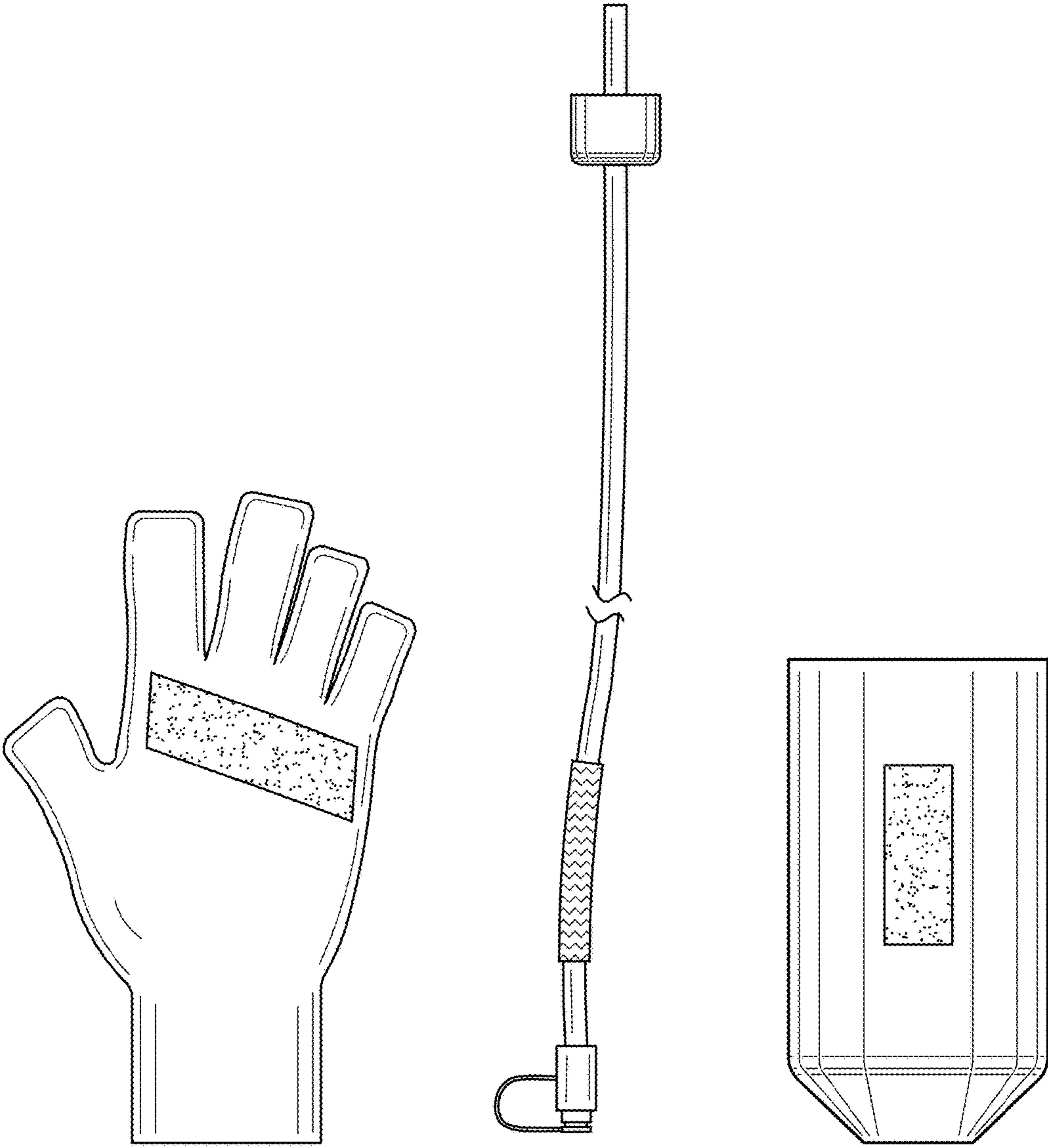


FIG. 1

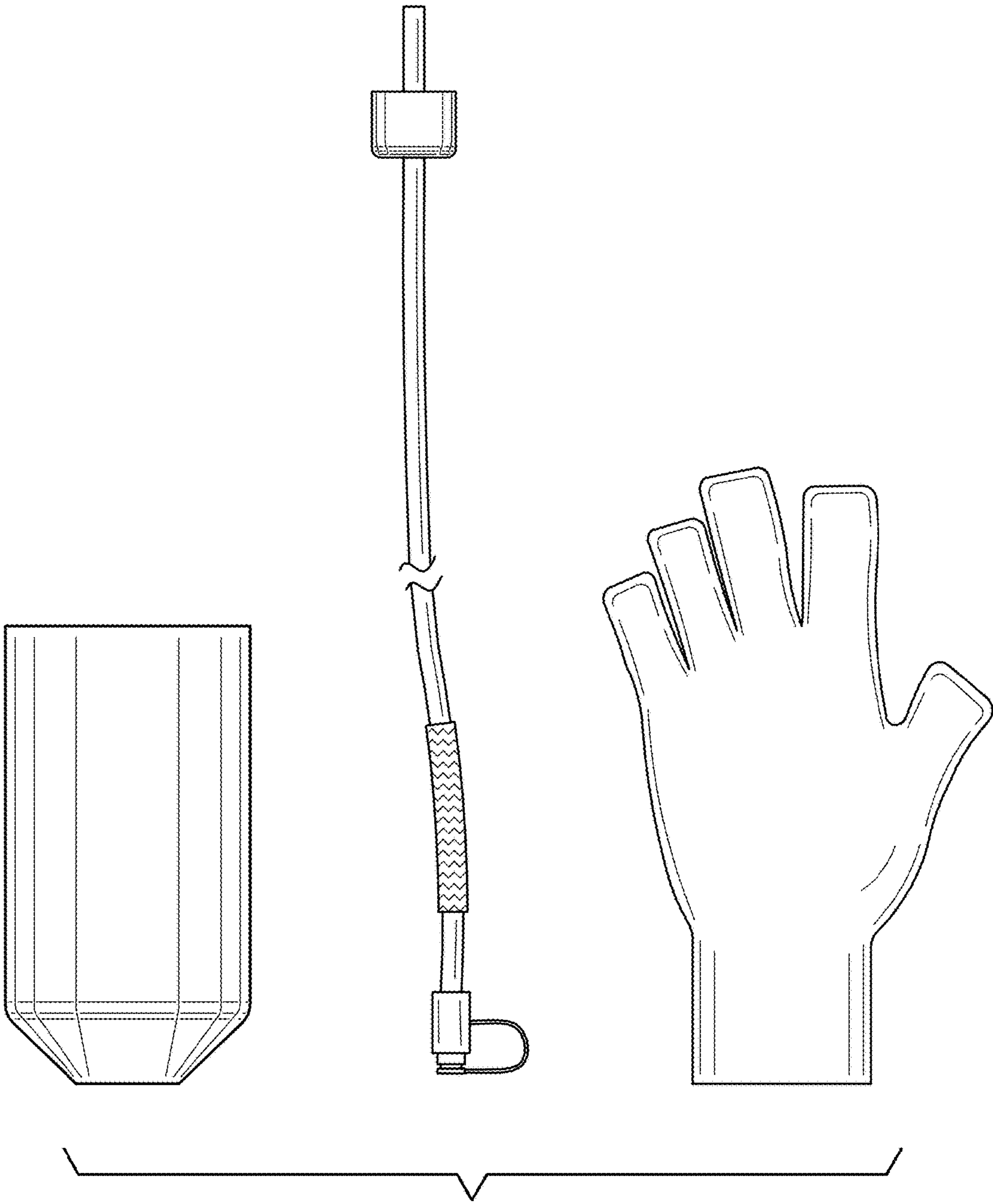


FIG. 2

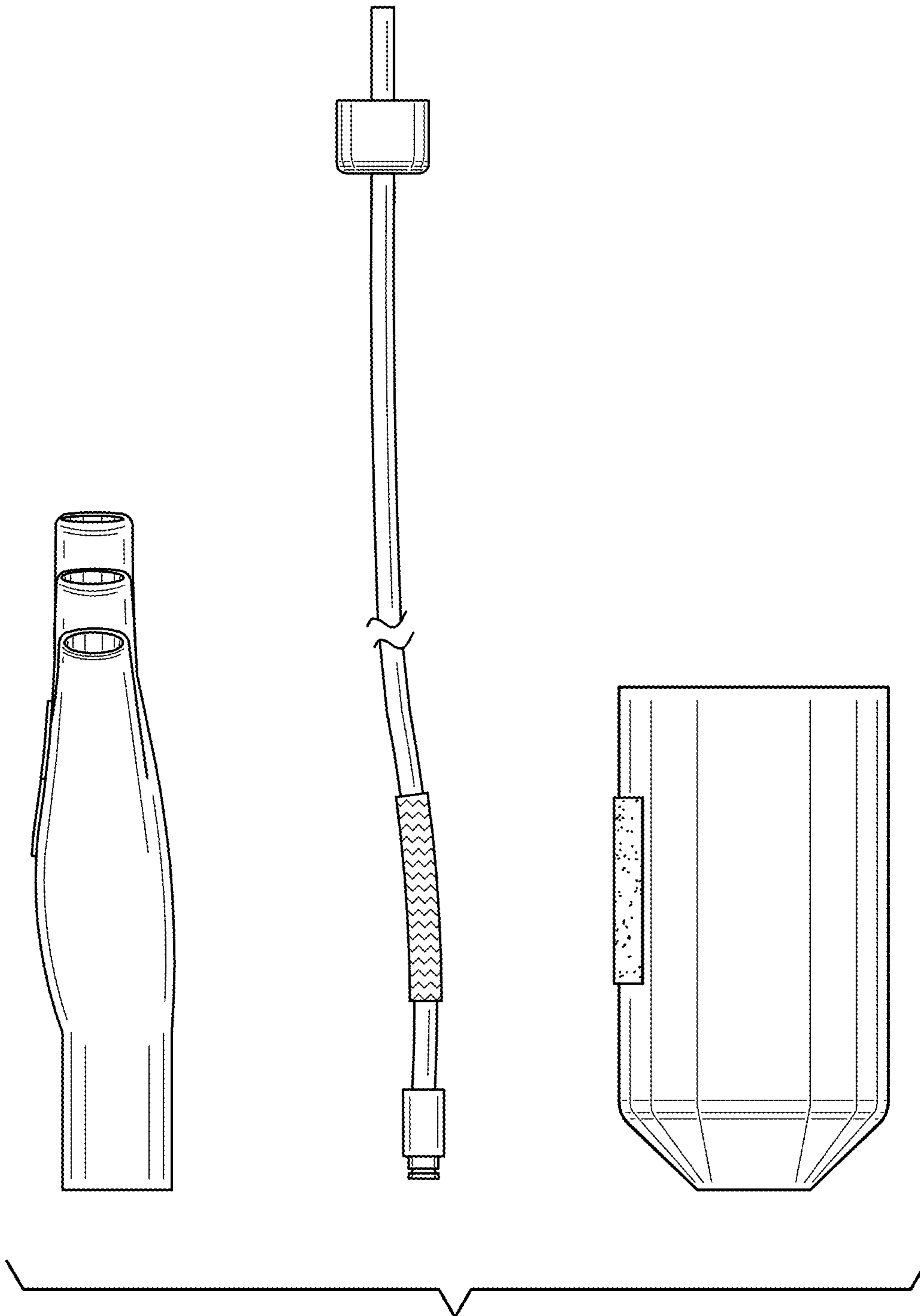


FIG. 3

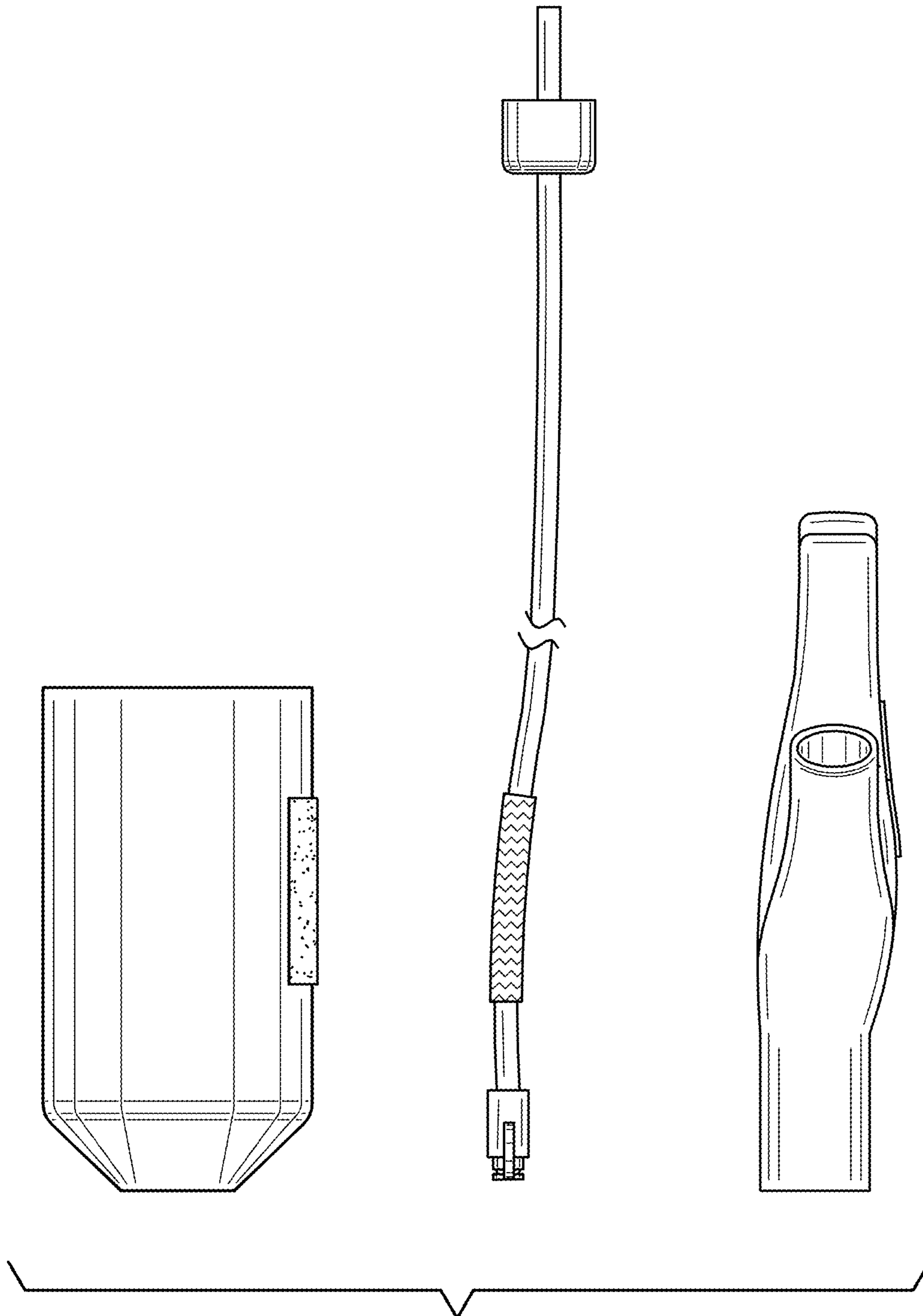
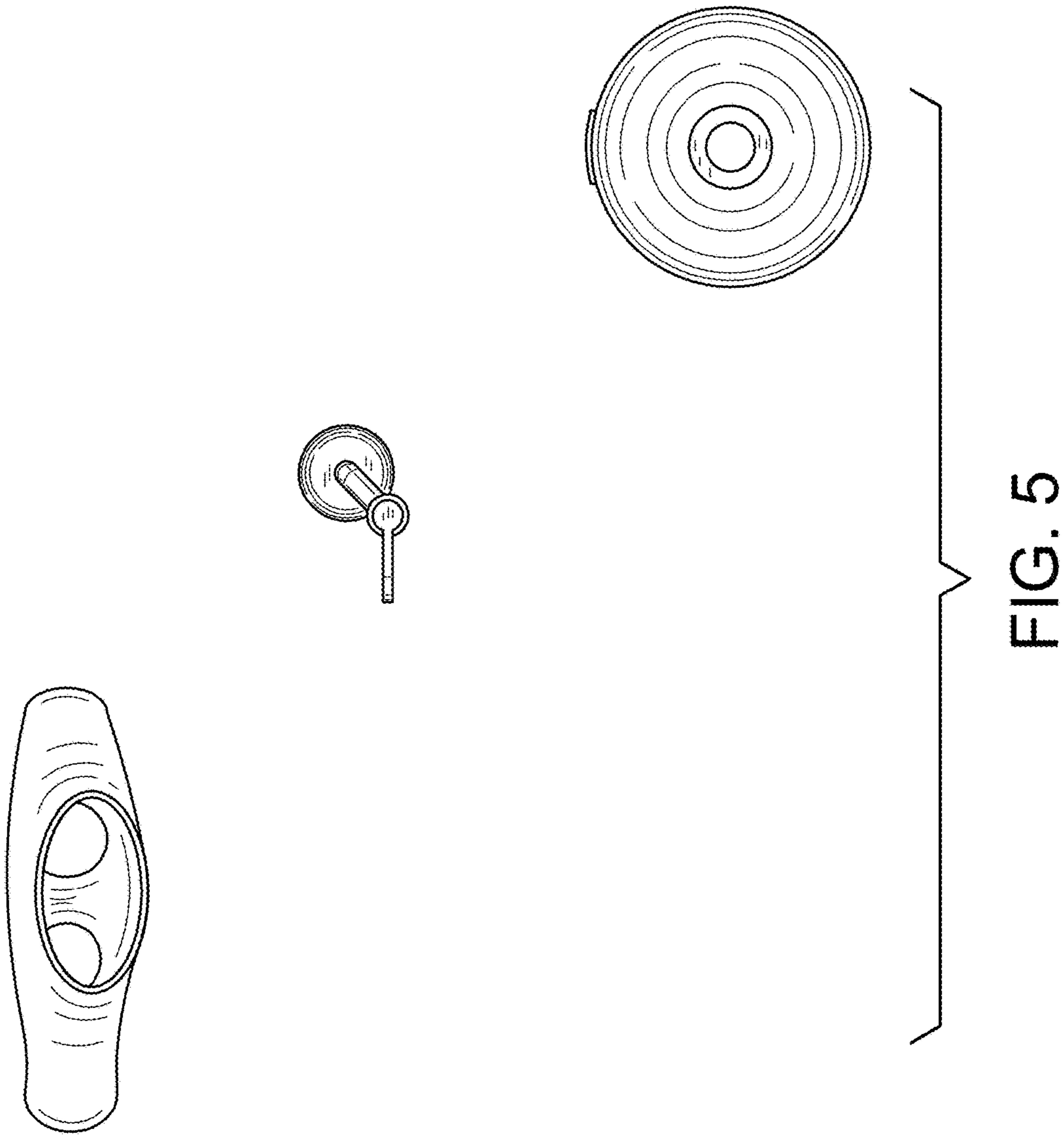


FIG. 4



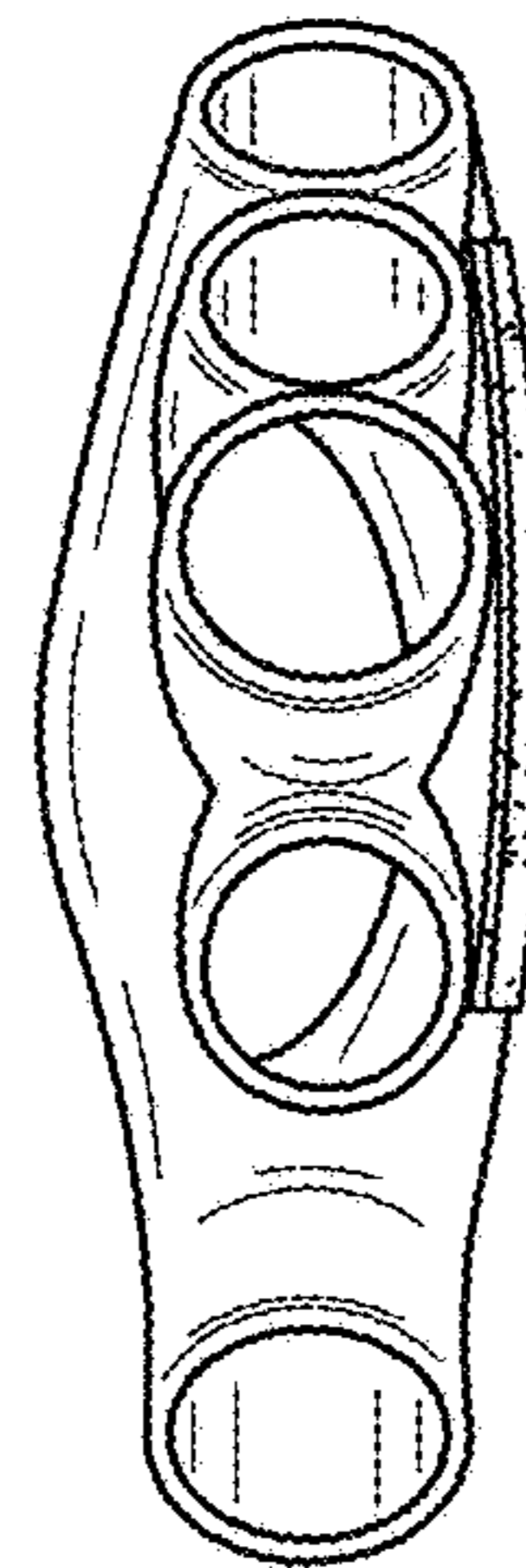
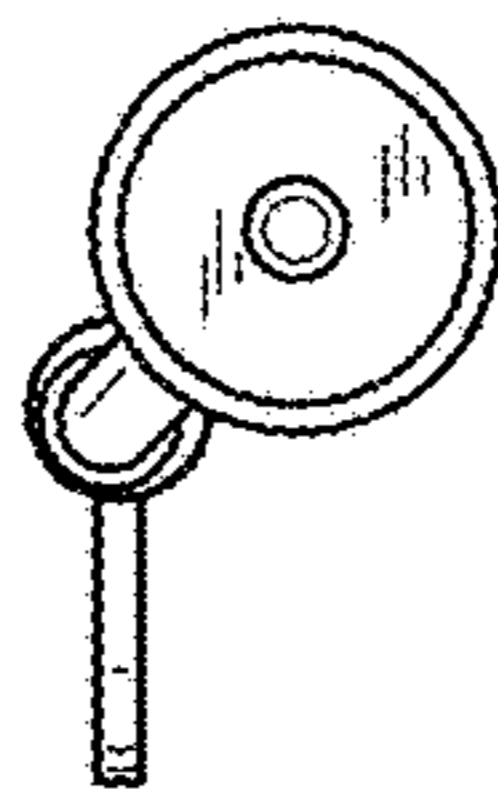
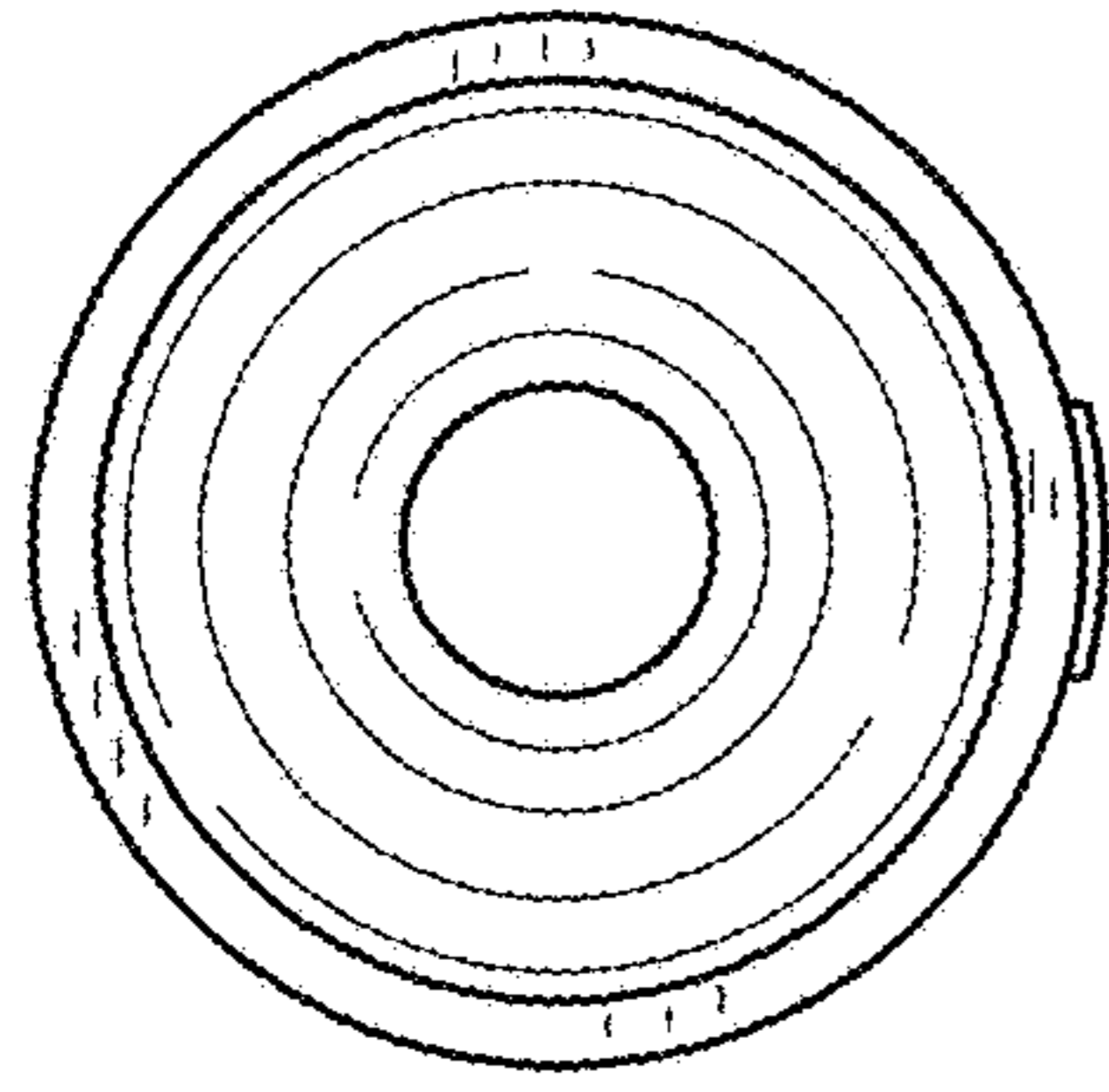


FIG. 6

