



US00D813527S

(12) **United States Design Patent**  
**Orban et al.**

(10) **Patent No.:** **US D813,527 S**  
(45) **Date of Patent:** **\*\* Mar. 27, 2018**

- (54) **STRAP**
- (71) Applicant: **9252-8595 Quebec, Inc.**, Saint-Laurent (CA)
- (72) Inventors: **Benoit Orban**, St-Lambert (CA);  
**Maxime Langlois**, Montreal (CA)
- (73) Assignee: **9252-8595 Quebec Inc.**, Montreal, Quebec (CA)
- (\*\*) Term: **15 Years**
- (21) Appl. No.: **29/553,233**
- (22) Filed: **Jan. 29, 2016**
- (30) **Foreign Application Priority Data**

Jul. 30, 2015 (CA) ..... 163664

(51) **LOC (11) Cl.** ..... **03-01**

(52) **U.S. Cl.**  
USPC ..... **D3/215**

(58) **Field of Classification Search**  
USPC ..... D3/215, 224, 226; D30/153; 224/183,  
224/267, 221; 63/3; 40/625, 633, 665;  
24/303; D6/518  
CPC .... A01K 27/001; G09F 3/005; Y10T 24/1498  
See application file for complete search history.

(56) **References Cited**

**U.S. PATENT DOCUMENTS**

- 3,106,028 A \* 10/1963 Baumgartner ..... G09F 3/005  
224/221
- 3,800,450 A \* 4/1974 Laugherty ..... G09F 3/005  
40/633
- 5,307,582 A \* 5/1994 Quintel ..... A01K 27/001  
40/633

- D368,231 S \* 3/1996 McFadden ..... D11/4
- D477,709 S \* 7/2003 Natividad ..... D3/215
- D617,550 S \* 6/2010 Rudolph ..... D3/226
- D723,265 S \* 3/2015 Ford ..... D3/224
- D726,057 S \* 4/2015 Wai ..... D11/4
- D733,978 S \* 7/2015 Bayless ..... D3/226
- D765,534 S \* 9/2016 Schone ..... D11/3

**OTHER PUBLICATIONS**

“Unscntdisp Images,” webpage printout found at “[http://www.earthrated.com/en/product-details/?unscntdisp\\_14199](http://www.earthrated.com/en/product-details/?unscntdisp_14199),” accessed on Thursday, Nov. 2, 2017, all enclosed pages cited.

\* cited by examiner

*Primary Examiner* — Catherine R Oliver-Garcia  
(74) *Attorney, Agent, or Firm* — Nelson Mullins Riley & Scarborough, LLP

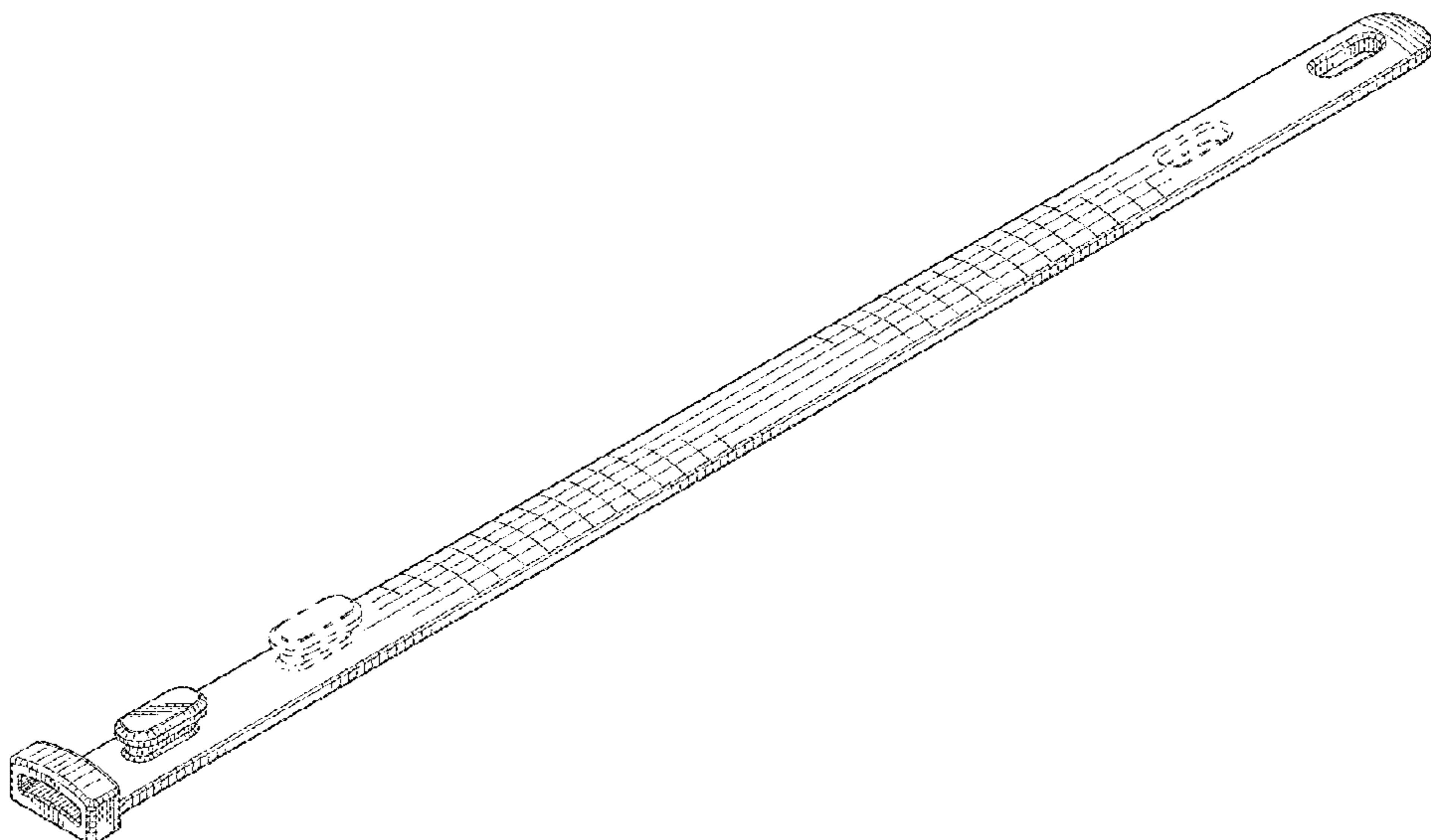
(57) **CLAIM**

The ornamental design of a strap, substantially as shown and described.

**DESCRIPTION**

FIG. 1 is a front top right perspective view of a strap embodying the design of the present invention; FIG. 2 is a front bottom left perspective view of the strap of FIG. 1; FIG. 3 is a top plan view of the strap of FIG. 1; FIG. 4 is a bottom plan view of the strap of FIG. 1; FIG. 5 is a left plan view of the strap of FIG. 1; FIG. 6 is a right plan view of the strap of FIG. 1; FIG. 7 is a rear elevation view of the strap of FIG. 1; and, FIG. 8 is a front elevation view of the strap of FIG. 1. The portions shown in broken lines and the stippling (shading) are for illustrative purposes only and form no part of the claimed design.

**1 Claim, 2 Drawing Sheets**



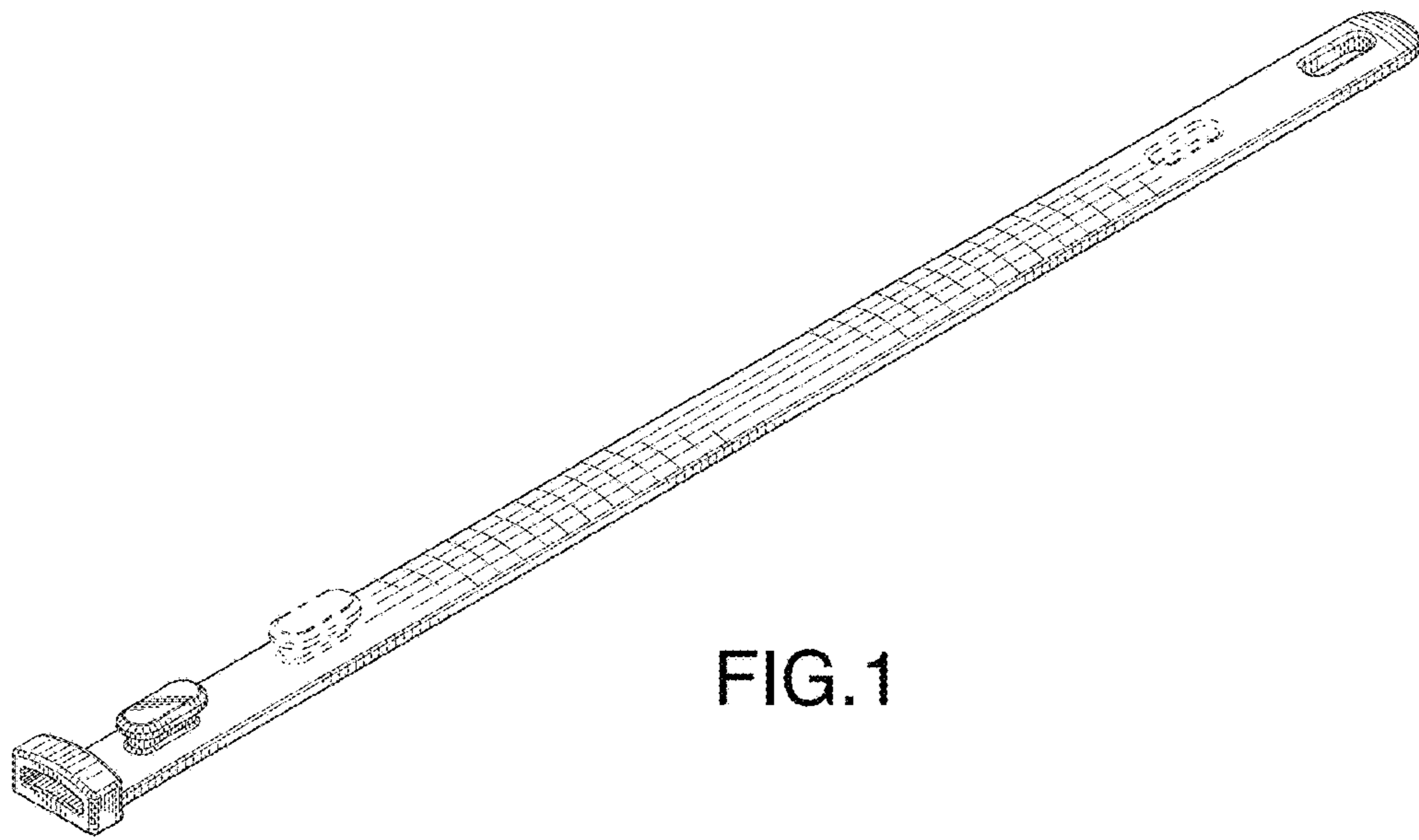


FIG.1

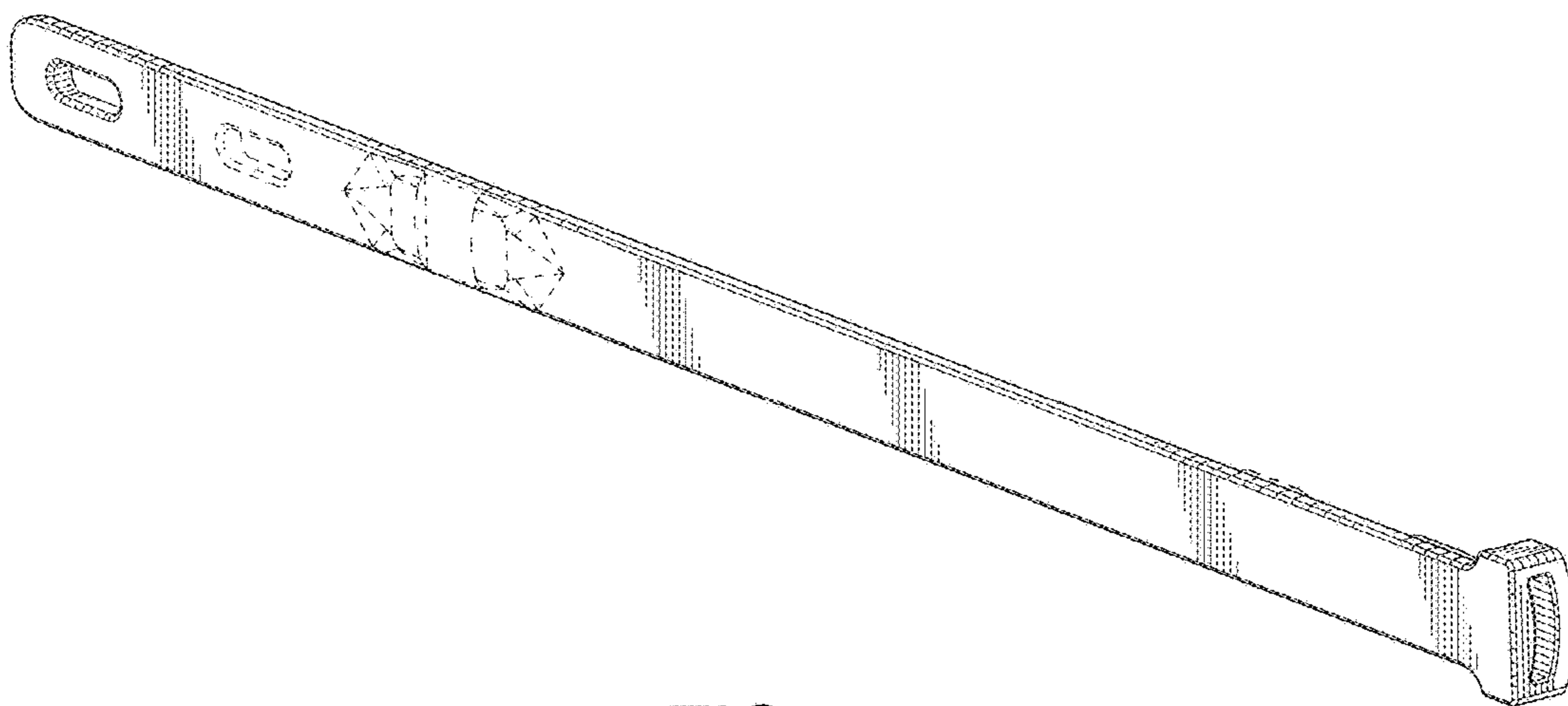


FIG.2

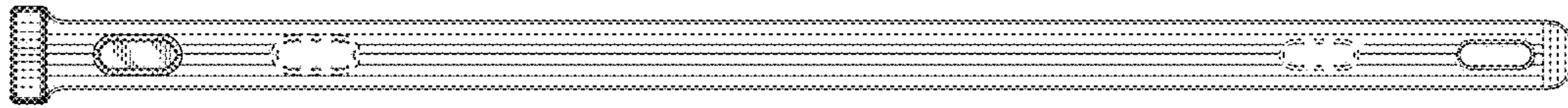


FIG.3

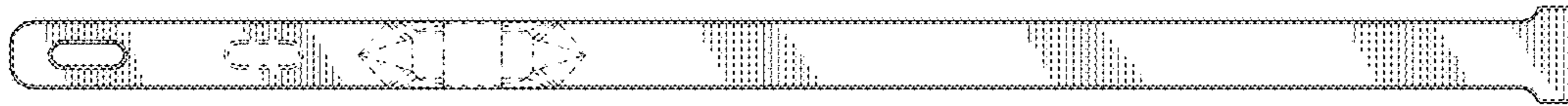


FIG.4

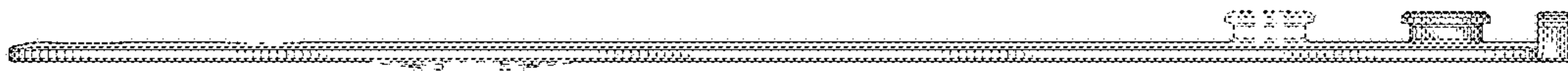


FIG.5



FIG.6



FIG.7



FIG.8