



US00D813525S

(12) **United States Design Patent** (10) **Patent No.:** **US D813,525 S**
Ma (45) **Date of Patent:** **** Mar. 27, 2018**

(54) **UMBRELLA RUNNER GRIP**

FOREIGN PATENT DOCUMENTS

(71) Applicant: **Zhun-An Ma**, Arcadia, CA (US)

CA 1269018 5/1990
CN 204444542 7/2015

(Continued)

(72) Inventor: **Zhun-An Ma**, Arcadia, CA (US)

OTHER PUBLICATIONS

(**) Term: **15 Years**

EPO Extended Search Report dated Apr. 5, 2011 for European Patent No. 09252140.0, filed Sep. 7, 2009.

(Continued)

(21) Appl. No.: **29/588,500**

Primary Examiner — John Windmuller

(22) Filed: **Dec. 21, 2016**

Assistant Examiner — Benjamin Weeks

(51) **LOC (11) Cl.** **03-03**

(74) *Attorney, Agent, or Firm* — Knobbe Martens Olson & Bear LLP

(52) **U.S. Cl.**

(57) **CLAIM**

USPC **D3/10**

(58) **Field of Classification Search**

The ornamental designs for an umbrella runner grip, as shown and described.

USPC D3/10; D8/356, 396, 72, 395, 10, 103,
D8/105, 106, 119, 308, 309, 310;
D9/424, 453; D13/149, 154; D22/108;
D24/143, 128

DESCRIPTION

CPC B65H 35/0026; F16L 23/06; F16L 23/04;
F16L 3/23; F16L 23/10

See application file for complete search history.

FIG. 1 is a perspective view of an umbrella runner grip showing my new design;

FIG. 2 is a front or rear view of the design of FIG. 1;

FIG. 3 is a right or left side view of the design of FIG. 1;

FIG. 4 is a top view of the design of FIG. 1;

FIG. 5 is a bottom view of the design of FIG. 1;

FIG. 6 is a front or rear view showing an environment of the new umbrella runner grip, showing the grip in a first position;

FIG. 7 is another front view or rear showing an environment of the new umbrella runner grip of FIG. 1, showing the grip in an optional second position; and,

FIG. 8 is a perspective view the umbrella runner grip design of FIG. 1 showing an umbrella in phantom lining, an umbrella being one non-limiting environment in which the new umbrella runner grip design can be used.

The broken lines represent portions of the umbrella runner grip and environment that form no part of the claimed design.

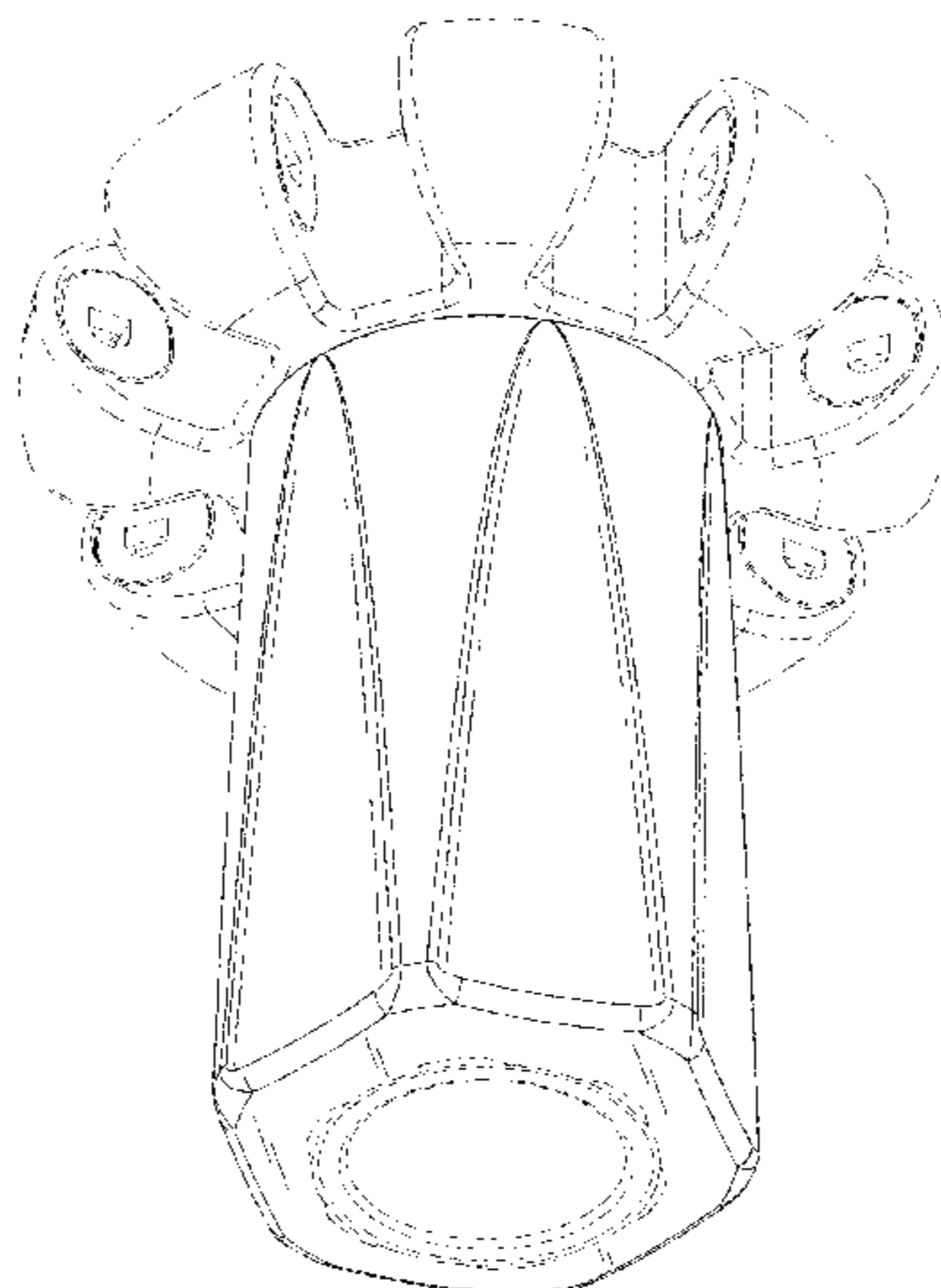
(56) **References Cited**

U.S. PATENT DOCUMENTS

331,231 A 11/1885 Folger
501,089 A 7/1893 Lichtenstein
620,815 A 3/1899 Warren
750,178 A 1/1904 Fesenfeld
770,704 A 9/1904 Vogel
847,805 A 3/1907 McAvoy
878,270 A 2/1908 Blake et al.
880,534 A 3/1908 Hoyt
897,026 A 8/1908 Seitzinger
928,169 A 7/1909 Bardon
941,952 A 11/1909 Riehl
947,790 A 2/1910 Carter
959,127 A 5/1910 Edwards
1,001,076 A 8/1911 Redford

(Continued)

1 Claim, 7 Drawing Sheets



(56)

References Cited

U.S. PATENT DOCUMENTS

1,022,944 A 4/1912 Hodinger
 1,078,069 A 11/1913 Simons
 1,107,415 A 8/1914 Drohan
 1,264,075 A 4/1918 Hout
 1,469,495 A 10/1923 Bunker
 1,808,610 A 6/1931 Roy
 2,101,510 A 12/1937 Rathbun
 2,207,043 A 7/1940 Weiss et al.
 2,321,495 A 6/1943 Levin
 2,336,116 A 12/1943 Morando
 2,385,575 A 9/1945 Isler
 2,469,637 A 5/1949 Evans et al.
 2,635,616 A 4/1953 Haydu
 2,762,383 A 9/1956 Wittman
 2,796,073 A 6/1957 Wittman
 2,860,647 A 11/1958 Negri
 2,914,154 A 11/1959 Russell
 3,157,186 A 11/1964 Hammer
 3,177,882 A 4/1965 Vincent
 3,252,468 A 5/1966 Militano
 3,330,582 A 7/1967 Morris
 3,424,180 A 1/1969 Andolfi
 3,462,179 A 8/1969 Hinkle
 3,557,809 A 1/1971 Vazquez et al.
 3,643,673 A 2/1972 Weber
 3,704,479 A 12/1972 Whitaker
 D231,955 S * 6/1974 Weber D3/10
 4,201,237 A 5/1980 Watts et al.
 4,368,749 A 1/1983 Lindler et al.
 4,369,000 A 1/1983 Egnew
 4,627,210 A 12/1986 Beaulieu
 4,673,308 A 6/1987 Reilly
 4,750,509 A 6/1988 Kim
 4,790,338 A 12/1988 Strobl
 4,941,499 A 7/1990 Pelsue et al.
 4,966,178 A 10/1990 Eichhorn
 D320,111 S 9/1991 Ma
 5,056,291 A 10/1991 Leung
 D321,779 S * 11/1991 Ma D3/10
 5,069,572 A 12/1991 Niksic
 5,085,239 A 2/1992 Chin-Hung et al.
 5,188,137 A 2/1993 Simonelli
 5,193,566 A 3/1993 Chen
 5,328,286 A 7/1994 Lee
 D360,522 S * 7/1995 Ko D3/10
 5,433,233 A 7/1995 Shiran et al.
 5,445,471 A 8/1995 Wexler et al.
 5,738,129 A 4/1998 Vogt
 5,740,824 A 4/1998 Tang
 5,797,613 A 8/1998 Busby
 5,797,695 A 8/1998 Prusmack
 5,842,494 A 12/1998 Wu
 D411,655 S 6/1999 Tung
 5,911,233 A 6/1999 Wu
 D412,056 S 7/1999 Wang
 6,076,540 A 6/2000 You
 6,095,169 A 8/2000 Lin et al.
 6,199,572 B1 3/2001 Rousselle et al.
 6,227,753 B1 5/2001 Boer
 6,311,706 B1 11/2001 Sato
 6,314,976 B1 11/2001 Clarke
 6,332,657 B1 12/2001 Fischer
 6,345,637 B1 2/2002 Ko
 6,354,316 B1 3/2002 Chen
 6,374,840 B1 4/2002 Ma
 6,386,215 B1 5/2002 Chang
 6,397,867 B2 6/2002 You
 D460,947 S * 7/2002 Montena D13/154
 D465,915 S * 11/2002 Earnshaw D3/10
 6,604,844 B2 8/2003 Hussey
 6,643,889 B1 11/2003 Kotlarski
 6,701,946 B2 3/2004 You
 6,705,335 B2 3/2004 You

6,758,228 B1 7/2004 You
 6,758,354 B2 7/2004 Carletti
 6,814,093 B2 11/2004 You
 7,178,535 B2 2/2007 Eder
 7,464,503 B2 12/2008 Hoberman
 7,481,235 B2 1/2009 Prusmack
 7,574,777 B1 8/2009 Fuller et al.
 7,637,276 B2 12/2009 Mallookis et al.
 7,703,464 B2 4/2010 Ma
 D623,396 S 9/2010 He
 D626,324 S 11/2010 Ma
 7,861,734 B2 1/2011 Ma
 D631,848 S * 2/2011 Montena H01R 13/5213
 D13/133
 7,891,367 B2 2/2011 Ma
 8,061,375 B2 11/2011 Ma
 8,069,872 B2 12/2011 Bae
 8,082,935 B2 12/2011 Ma
 8,082,937 B2 12/2011 Tarter et al.
 8,166,986 B2 5/2012 Ma
 D661,659 S * 6/2012 Natoli D13/151
 D662,064 S * 6/2012 Natoli D13/151
 D668,446 S * 10/2012 Patzak D3/10
 D670,901 S 11/2012 Rothbacher et al.
 8,356,613 B2 1/2013 Ma
 8,360,085 B2 1/2013 Lee
 8,485,208 B2 7/2013 Seo
 8,496,019 B2 7/2013 Zhou
 8,555,905 B2 10/2013 Ma
 D719,342 S 12/2014 Ma
 D719,343 S * 12/2014 Ma D3/10
 9,078,497 B2 7/2015 Ma
 D738,609 S * 9/2015 Ma D3/10
 9,192,215 B2 11/2015 Ma
 D744,742 S 12/2015 You
 D749,835 S 2/2016 Whitaker
 D750,364 S 3/2016 Lah
 9,433,269 B2 9/2016 Ma
 9,498,030 B2 11/2016 Ma
 D786,661 S * 5/2017 Wright D8/396
 2001/0007260 A1 7/2001 Rousselle et al.
 2004/0025915 A1 2/2004 Wang
 2004/0123891 A1 7/2004 Ma
 2005/0115599 A1 6/2005 You
 2006/0005867 A1 1/2006 Chang
 2006/0124160 A1 6/2006 Lee
 2007/0172310 A1 7/2007 Yang et al.
 2009/0071518 A1 3/2009 Amsel
 2009/0126769 A1 5/2009 Hoogendoorn
 2009/0260664 A1 10/2009 Ma
 2010/0288318 A1 11/2010 Beaulieu
 2011/0017249 A1 1/2011 Ma
 2011/0132418 A1 6/2011 Ma
 2011/0214705 A1 9/2011 Ma
 2012/0318316 A1 12/2012 Choi et al.
 2013/0008478 A1 1/2013 Prieto
 2014/0026931 A1 1/2014 Lee
 2016/0115707 A1 4/2016 Schneider et al.
 2017/0112242 A1 4/2017 Ma

FOREIGN PATENT DOCUMENTS

DE 1152226 8/1963
 EP 0202769 12/1989
 EP 0897678 2/1999
 FR 855628 5/1940
 FR 002650491 2/1991
 FR 2857835 1/2005
 GB 2113543 8/1983
 GB 2165448 11/1987
 JP 61131921 8/1986

(56)

References Cited

FOREIGN PATENT DOCUMENTS

KR	100851744	8/2008
KR	10-2009-0110808	10/2009
KR	10-2012-0107607	10/2012
WO	WO 2005/023042	3/2005
WO	WO 2017/048868	3/2017

OTHER PUBLICATIONS

Extended European Search Report issued in Ep Application No. 14157685, dated Jul. 7, 2014, in 8 pages.

Extended European Search Report issued in EP Application No. 14158057, dated Jul. 7, 2014, in 7 pages.

Extended European Search Report issued in EP Application No. 15156587.6, dated Jul. 23, 2015, in 7 pages.

International Search Report and Written Opinion issued in PCT Application No. PCT/US2016/051771, dated Dec. 28, 2016.

Treasure Garden, 2010 Products Catalog, pp. 20 and 60.

* cited by examiner

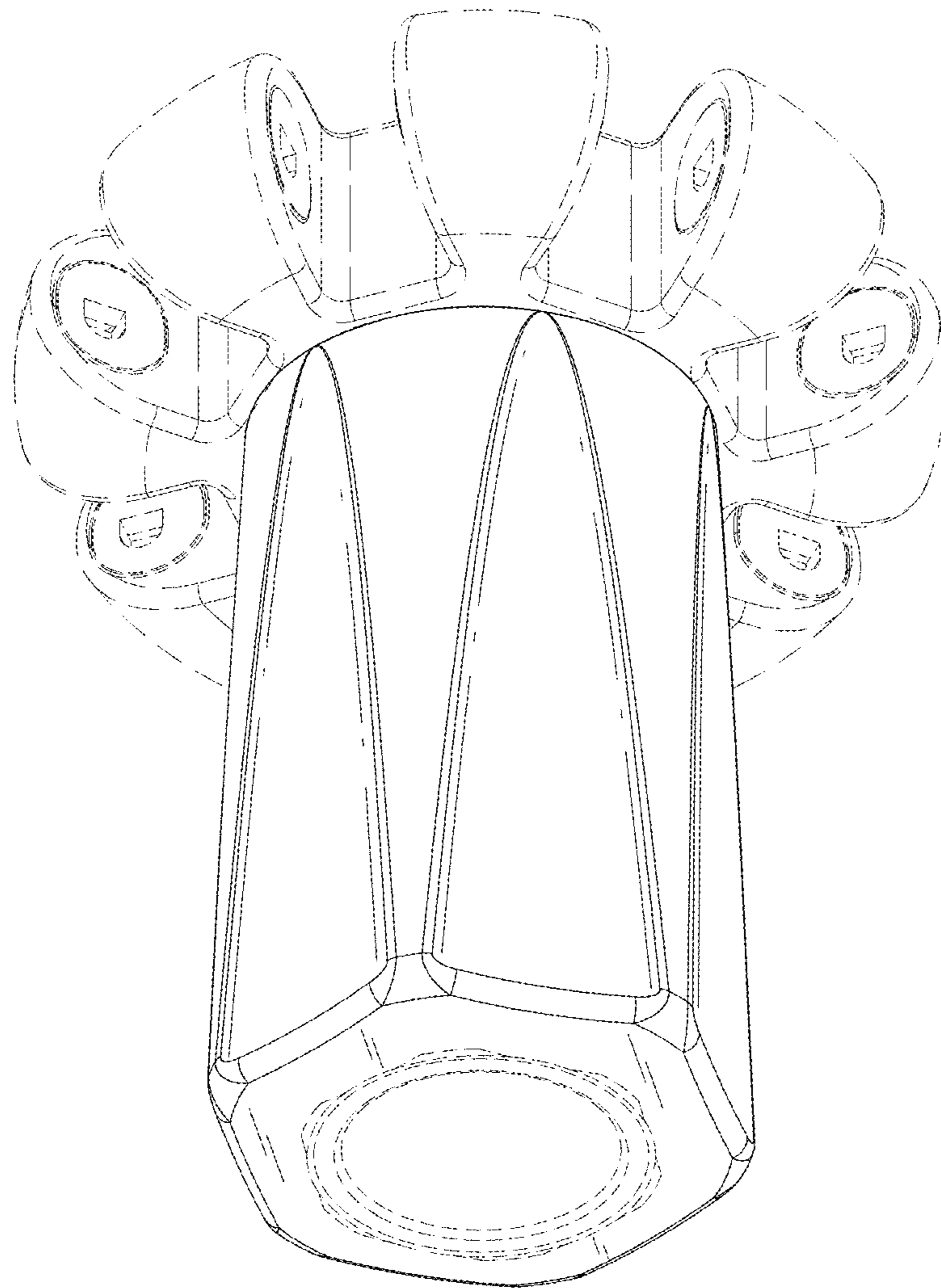


FIG. 1

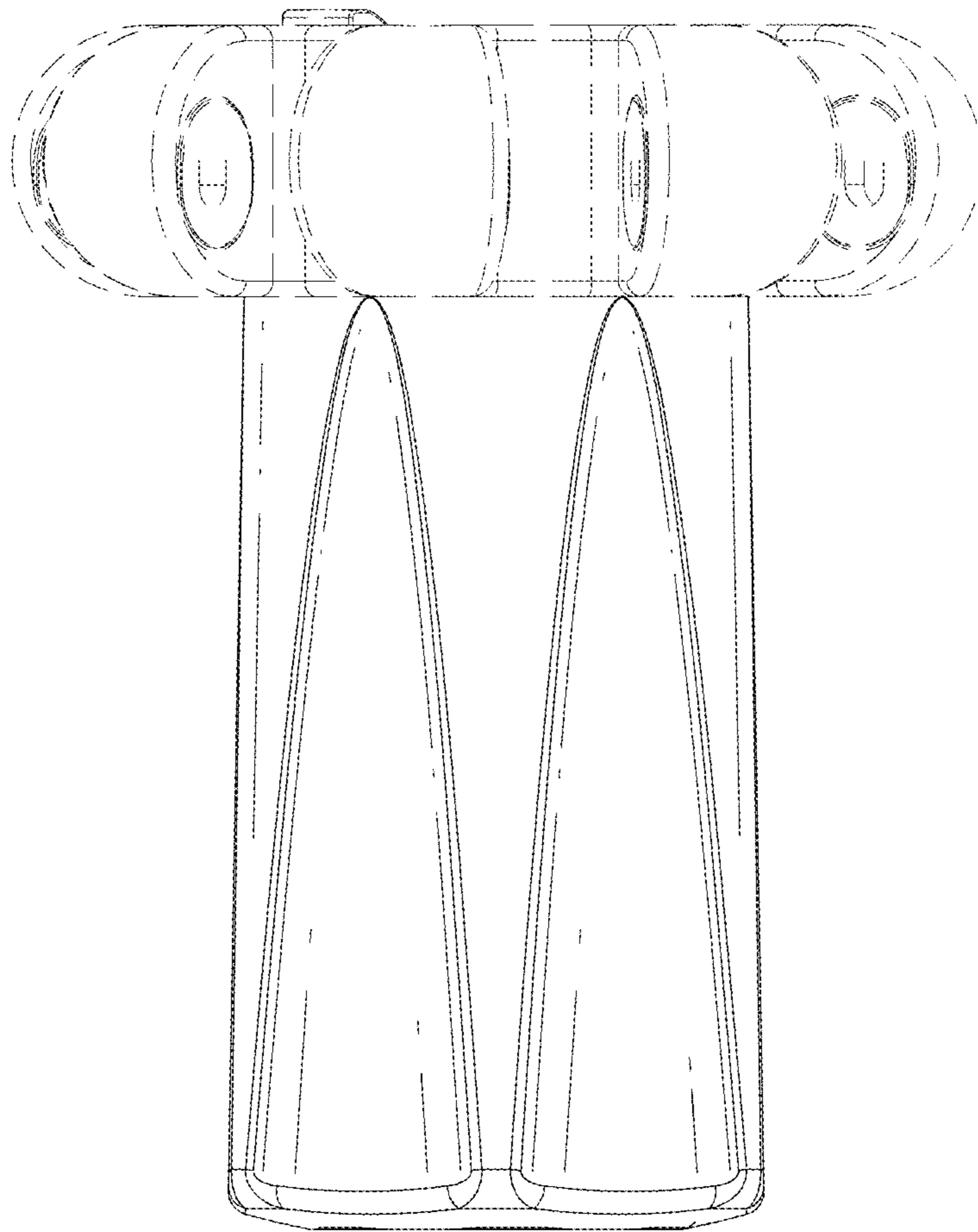


FIG. 2

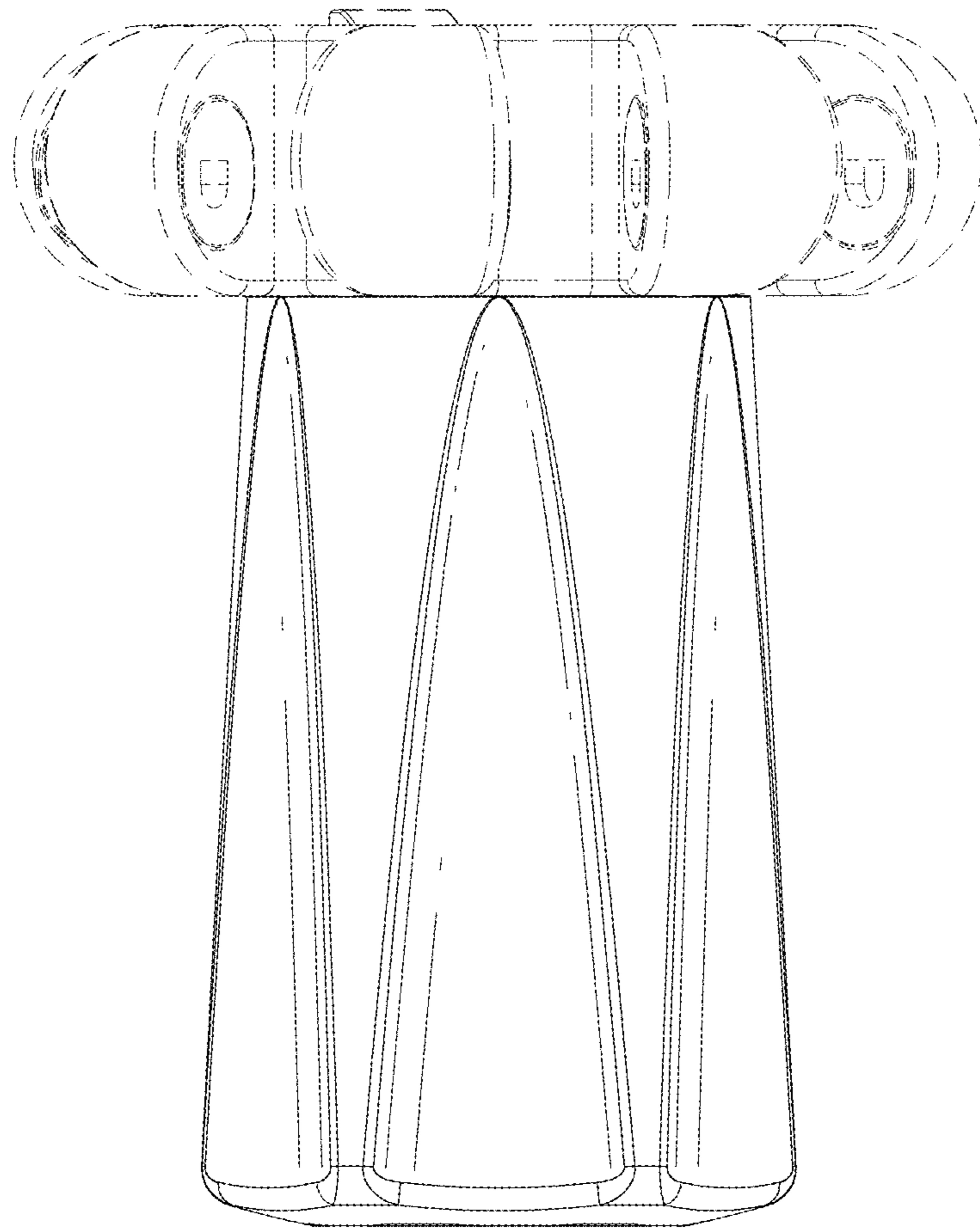


FIG. 3

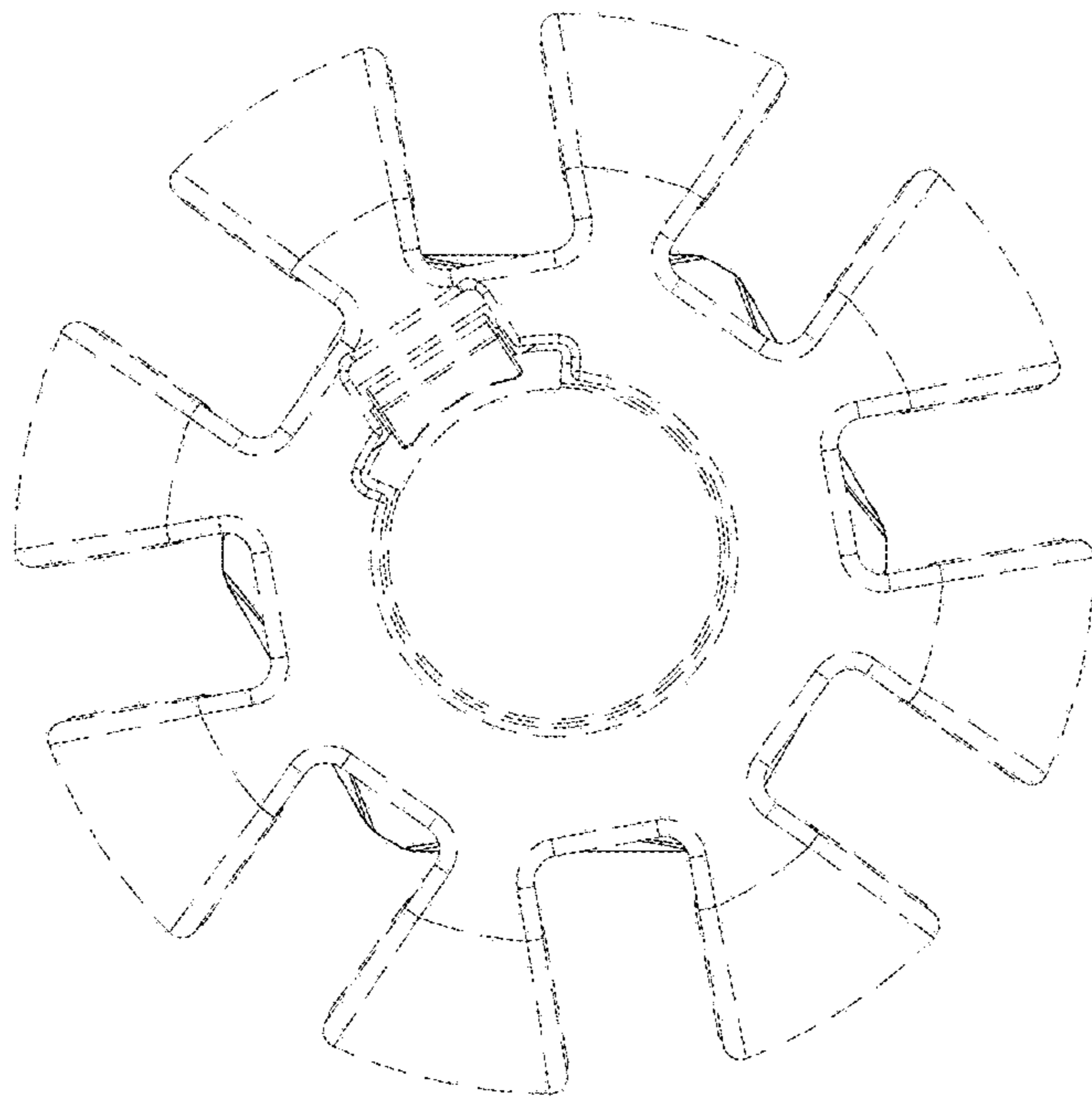


FIG. 4

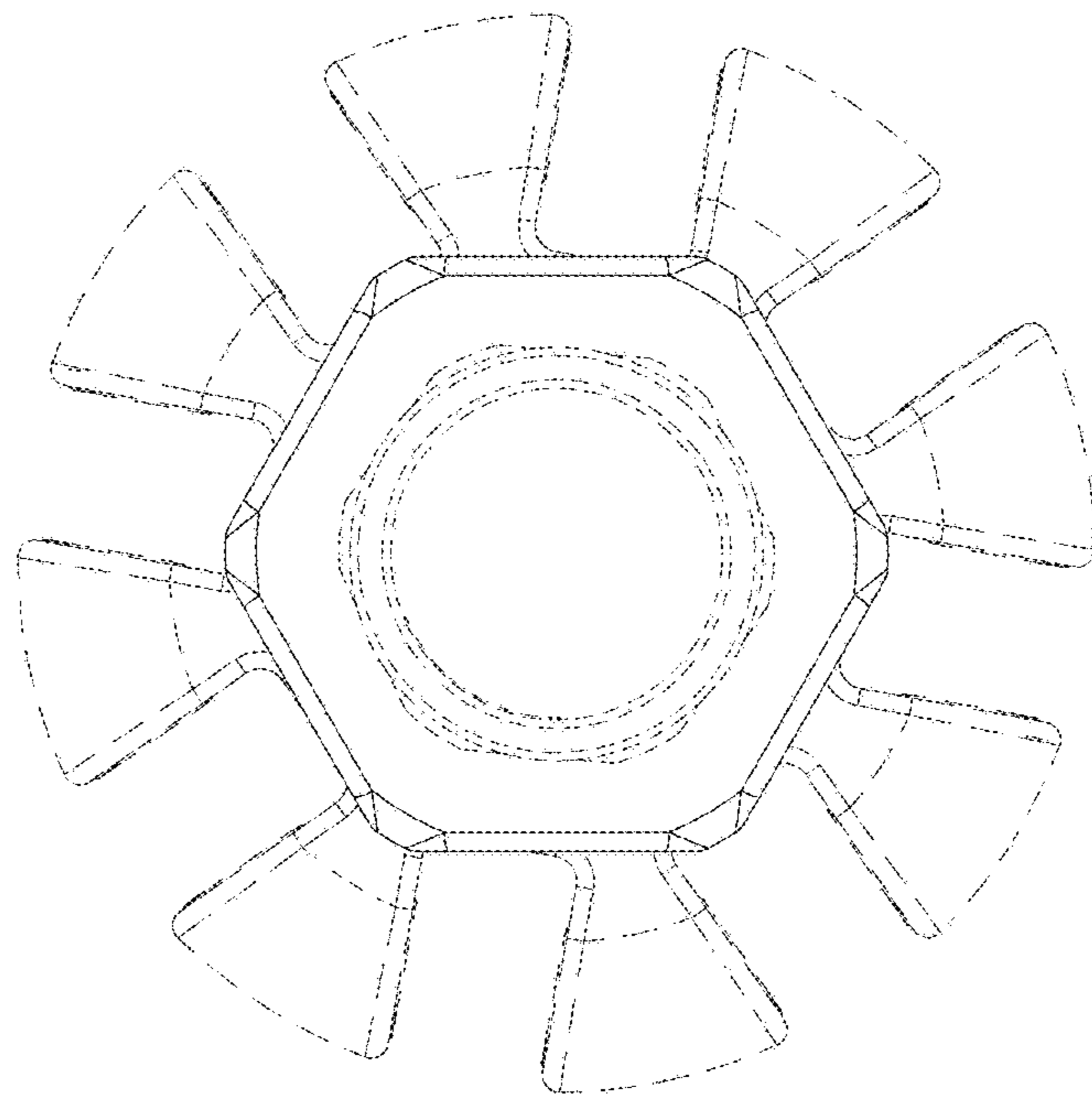


FIG. 5

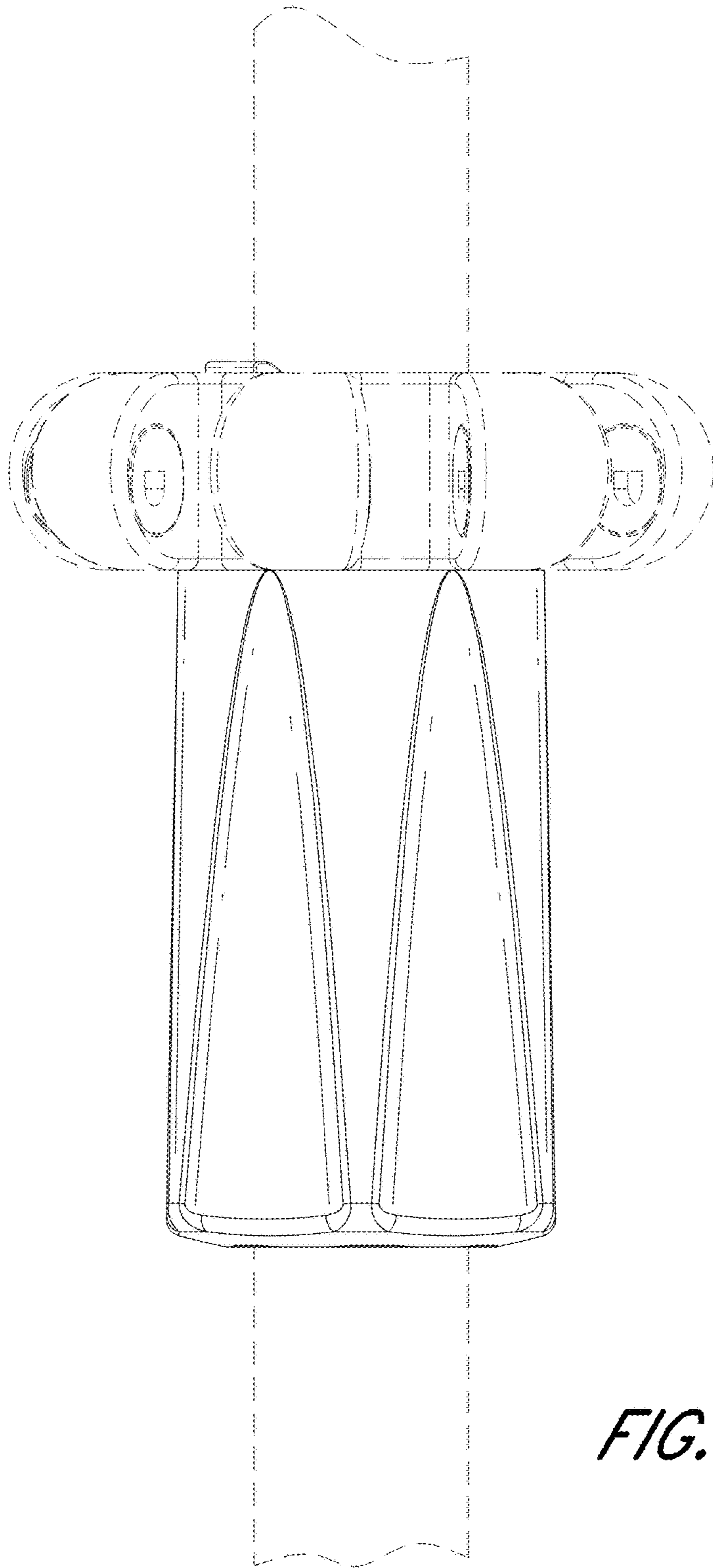


FIG. 6

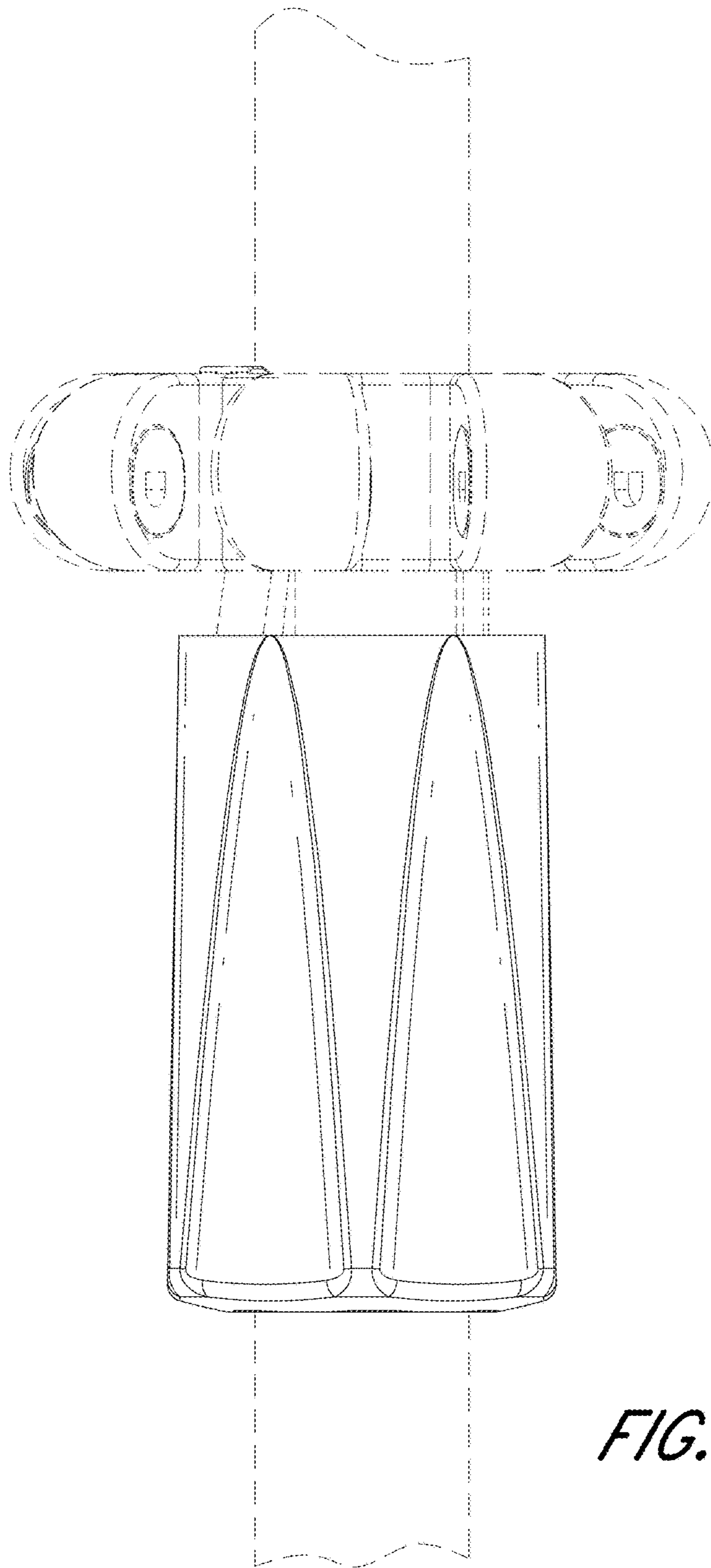


FIG. 7

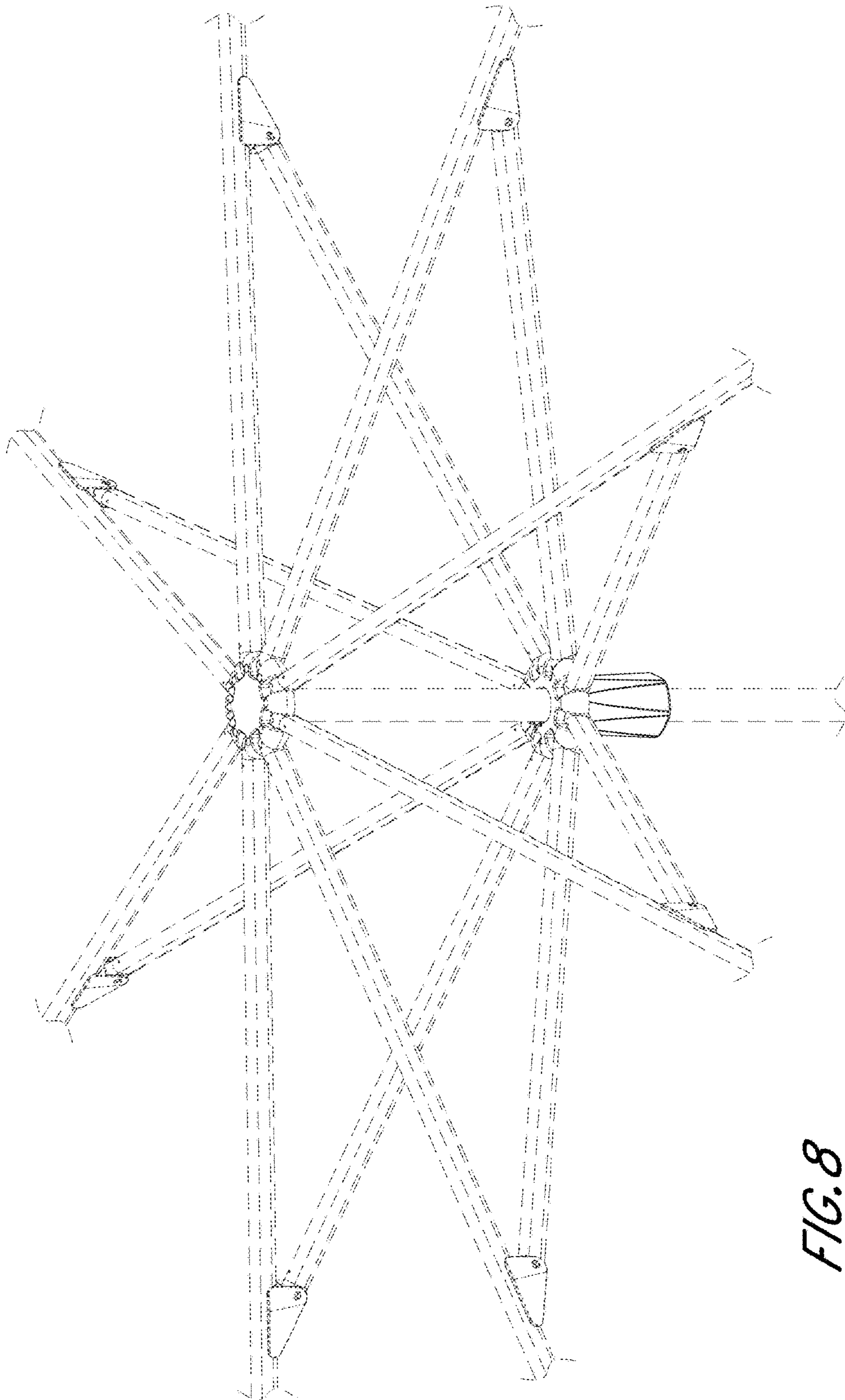


FIG. 8