



US00D813524S

(12) **United States Design Patent**
Ma

(10) **Patent No.:** **US D813,524 S**
(45) **Date of Patent:** **** Mar. 27, 2018**

(54) **CANTILEVER UMBRELLA STAND**

(71) Applicant: **Active Leisure Inc.**, Zhejiang (CN)

(72) Inventor: **Oliver Joen-an Ma**, Los Angeles, CA (US)

(73) Assignee: **Active Leisure Inc.**, Zhejiang (CN)

(**) Term: **14 Years**

(21) Appl. No.: **29/473,210**

(22) Filed: **Nov. 20, 2013**

(51) **LOC (11) Cl.** **03-03**

(52) **U.S. Cl.**
USPC **D3/10**

(58) **Field of Classification Search**

USPC D3/5, 7-10, 12-18; D6/327, 328, 389; D8/308, 309, 359; D21/839; 135/15.1, 135/16, 20.1, 29, 31, 33, 37, 41; 362/449; D25/56, 57
CPC A45B 2023/0043; A45B 2023/0037; A45B 2023/005; A45B 2023/0075; A45B 2023/0081; A45B 25/02; A45B 25/08; A45B 25/14; A45B 25/20; A45B 23/00; A45B 11/00; A45B 3/04; A45B 2023/00; A45B 2023/0012; A45B 2023/0056; A45B 2023/0062; A45B 25/06; A45B 19/00; A45B 19/04; A45B 7/005; A45B 2025/146; A45B 23/0043; A45B 23/0081; A45B 17/00; A45B 2017/005; G03B 15/00; G03B 15/02

See application file for complete search history.

(56) **References Cited**

U.S. PATENT DOCUMENTS

3,177,883 A * 4/1965 Militano A45B 25/02
135/15.1
5,482,069 A * 1/1996 Lee A45B 23/00
135/31
5,611,364 A * 3/1997 Woods A45B 11/00
135/21
D434,556 S * 12/2000 Lin D3/6

(Continued)

Primary Examiner — Sheryl Lane

Assistant Examiner — Catherine S Posthauer

(74) *Attorney, Agent, or Firm* — Avery N. Goldstein;
Blue Filament Law, PLLC

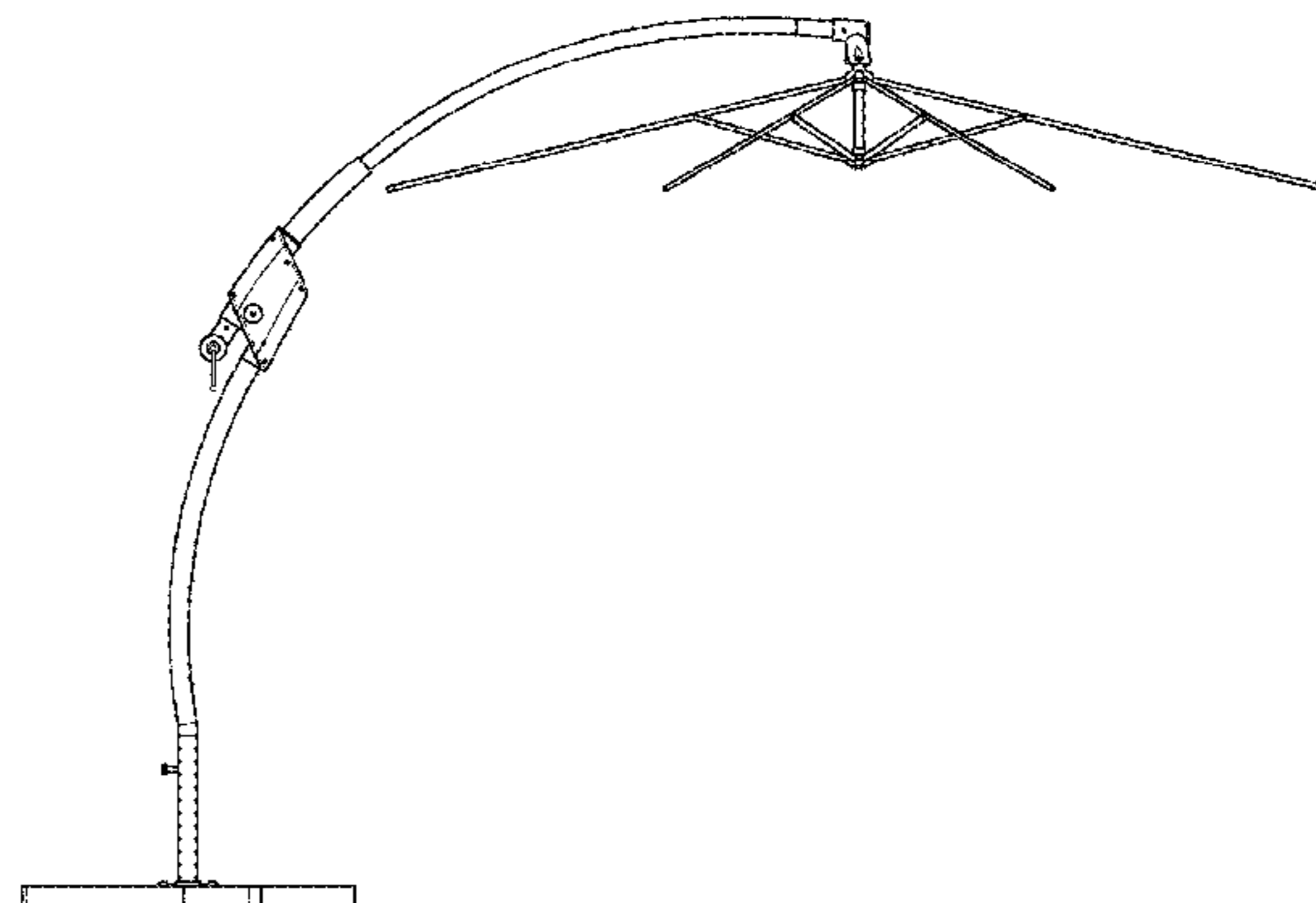
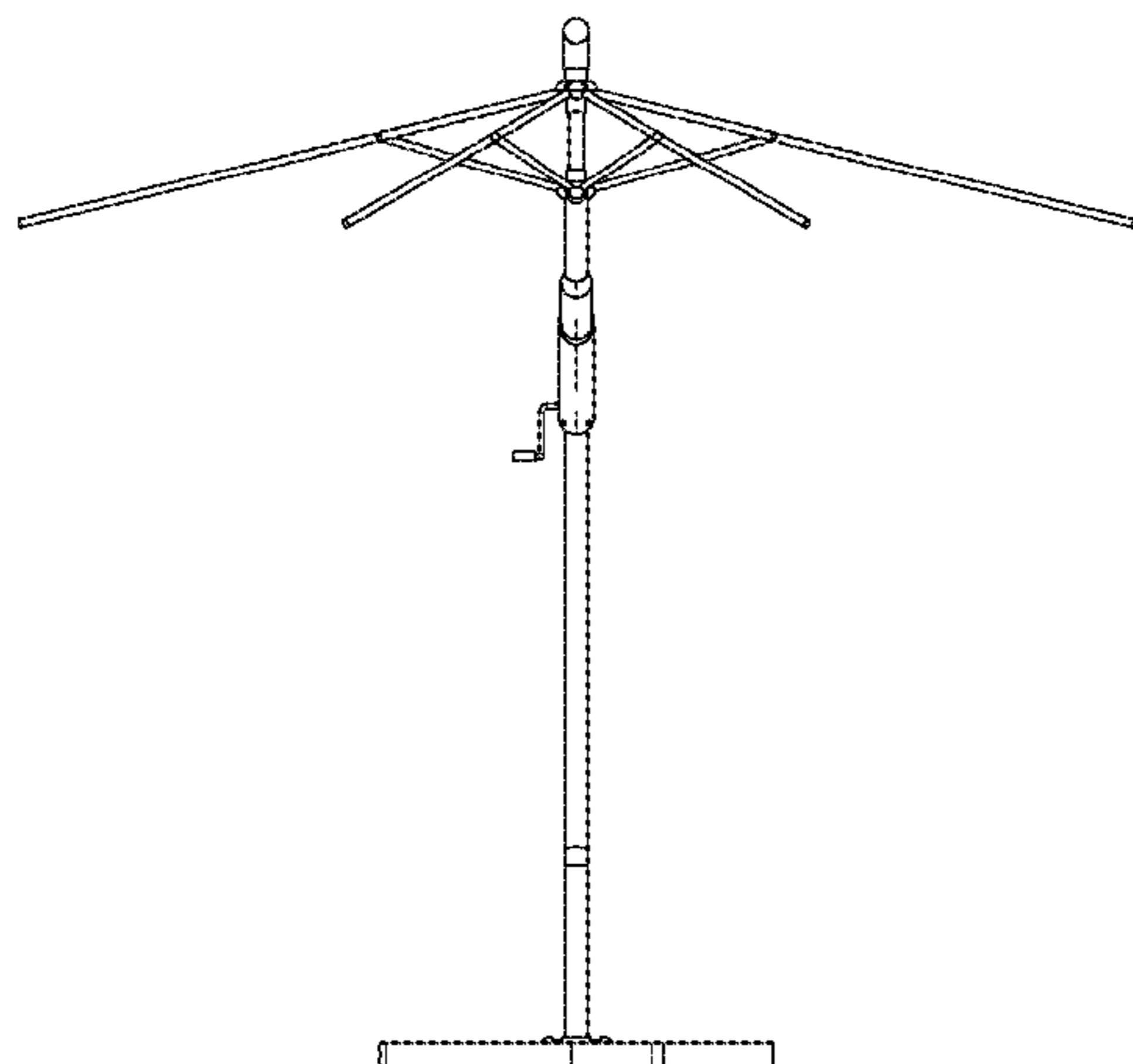
(57) **CLAIM**

The ornamental design for a cantilever umbrella stand, as shown and described.

DESCRIPTION

FIG. 1 is a front view of the cantilever umbrella stand; FIG. 2 is a back view of the cantilever umbrella stand depicted in FIG. 1; FIG. 3 is a left side view of the cantilever umbrella stand depicted in FIG. 1; FIG. 4 is a right side view of the cantilever umbrella stand depicted in FIG. 1; FIG. 5 is a top view of the cantilever umbrella stand depicted in FIG. 1; FIG. 6 is a bottom view of the cantilever umbrella stand depicted in FIG. 1; FIG. 7 is a perspective view of the cantilever umbrella stand depicted in FIG. 1; FIG. 8 is a perspective view of the cantilever umbrella stand depicted in FIG. 1, with the umbrella in a retracted position and an extension in a retracted position; FIG. 9 is a perspective view of the cantilever umbrella stand depicted in FIG. 1, with the umbrella in the retracted position and an extension in an extended position; FIG. 10 is a perspective view of the cantilever umbrella stand depicted in FIG. 1, with the umbrella in the extended position and an extension in the retracted position; and, FIG. 11 is a perspective view of the cantilever umbrella stand depicted in FIG. 1, with the umbrella in an extended position and an extension in the extended position.

1 Claim, 11 Drawing Sheets



(56)

References Cited

U.S. PATENT DOCUMENTS

| | | | | | | | | | |
|-------------------|---------|-------------|-------|-------------------------|-------------------|---------|------------|-------|------------------------|
| 7,134,442 B2 * | 11/2006 | Ma | | A45B 19/04 135/20.1 | 2005/0229957 A1 * | 10/2005 | Glatz | | A45B 25/14 135/20.3 |
| D574,144 S * | 8/2008 | Ortiz-Gavin | | D3/10 | 2005/0268952 A1 * | 12/2005 | Joen-an Ma | | A45B 19/04 135/20.1 |
| D586,549 S * | 2/2009 | Hermanson | | D3/10 | 2006/0070644 A1 * | 4/2006 | Schneller | | A45B 11/00 135/20.1 |
| D600,439 S * | 9/2009 | Zonsius | | D3/5 | 2006/0090784 A1 * | 5/2006 | Ma | | A45B 25/14 135/98 |
| D609,453 S * | 2/2010 | Liu | | D3/5 | 2006/0278262 A1 * | 12/2006 | Ma | | A45B 23/00 135/98 |
| 7,703,464 B2 * | 4/2010 | Ma | | A45B 25/02 135/28 | 2008/0006312 A1 * | 1/2008 | Li | | A45B 3/04 135/16 |
| D629,603 S * | 12/2010 | Liu | | D3/5 | 2008/0041431 A1 * | 2/2008 | Tung | | A45B 19/00 135/21 |
| 7,909,492 B2 * | 3/2011 | Ortiz-Gavin | | G03B 15/02 248/125.2 | 2008/0236640 A1 * | 10/2008 | Huali | | A45B 23/00 135/20.3 |
| 7,913,707 B2 * | 3/2011 | Lai | | A45B 17/00 135/20.3 | 2009/0071519 A1 * | 3/2009 | Ma | | A45B 25/20 135/33.4 |
| D638,622 S * | 5/2011 | He | | D3/5 | 2009/0095336 A1 * | 4/2009 | Glatz | | A45B 23/00 135/20.1 |
| D640,464 S * | 6/2011 | Forthuber | | D3/5 | 2010/0037929 A1 * | 2/2010 | Liu | | A45B 17/00 135/20.3 |
| 8,020,572 B2 * | 9/2011 | Ma | | 135/33.41 | 2010/0095991 A1 * | 4/2010 | Glatz | | A45B 19/04 135/20.1 |
| D650,984 S * | 12/2011 | Pineda | | D3/10 | 2010/0095992 A1 * | 4/2010 | Wu | | A45B 25/22 135/33.5 |
| 8,082,935 B2 * | 12/2011 | Ma | | 135/29 | 2010/0101614 A1 * | 4/2010 | Wang | | A45B 19/04 135/20.1 |
| 8,251,078 B2 * | 8/2012 | Ma | | A45B 25/08 135/37 | 2010/0192996 A1 * | 8/2010 | Ma | | A45B 23/00 135/20.1 |
| 9,237,785 B2 * | 1/2016 | Ma | | A45B 17/00 | 2010/0192997 A1 * | 8/2010 | Liu | | A45B 17/00 135/20.1 |
| 9,433,268 B2 * | 9/2016 | Ma | | A45B 17/00 | 2010/0206346 A1 * | 8/2010 | Tung | | A45B 23/00 135/20.1 |
| 2002/0083969 A1 * | 7/2002 | Tung | | A45B 23/00 135/90 | 2015/0068567 A1 * | 3/2015 | Ma | | A45B 23/00 135/20.1 |
| 2002/0104557 A1 * | 8/2002 | Tung | | A45B 23/00 135/21 | 2015/0075574 A1 * | 3/2015 | Ma | | A45B 23/00 135/20.1 |
| 2002/0129847 A1 * | 9/2002 | Ma | | A45B 23/00 135/98 | 2017/0167719 A1 * | 6/2017 | Xie | | F21V 33/006 |
| 2003/0015230 A1 * | 1/2003 | Glatz | | A45B 23/00 135/21 | | | | | |
| 2003/0192580 A1 * | 10/2003 | Tung | | A45B 17/00 135/20.1 | | | | | |
| 2004/0055628 A1 * | 3/2004 | Yu | | A45B 23/00 135/20.1 | | | | | |
| 2005/0183762 A1 * | 8/2005 | Ma | | A45B 17/00 135/145 | | | | | |

* cited by examiner

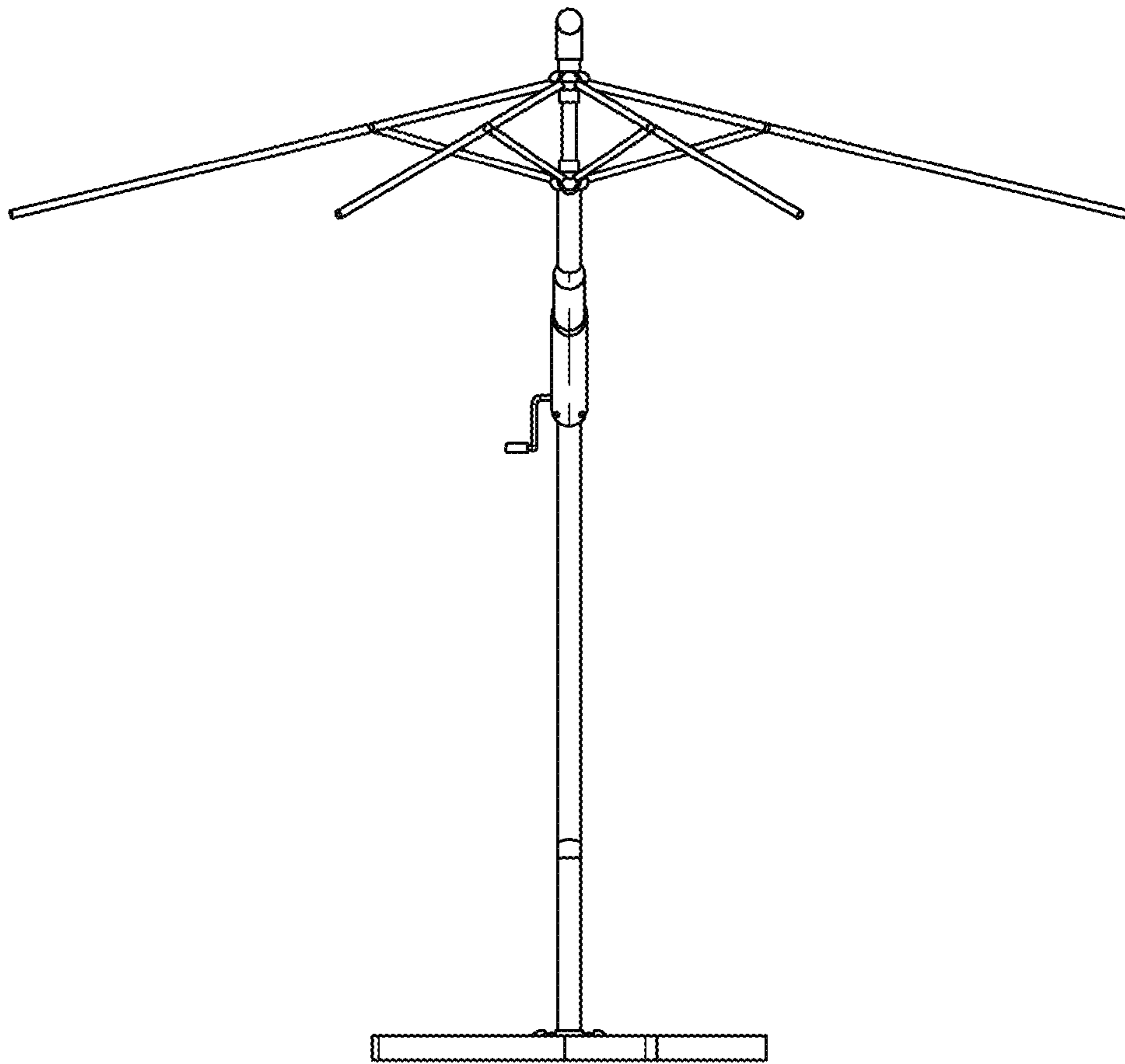


FIG. 1

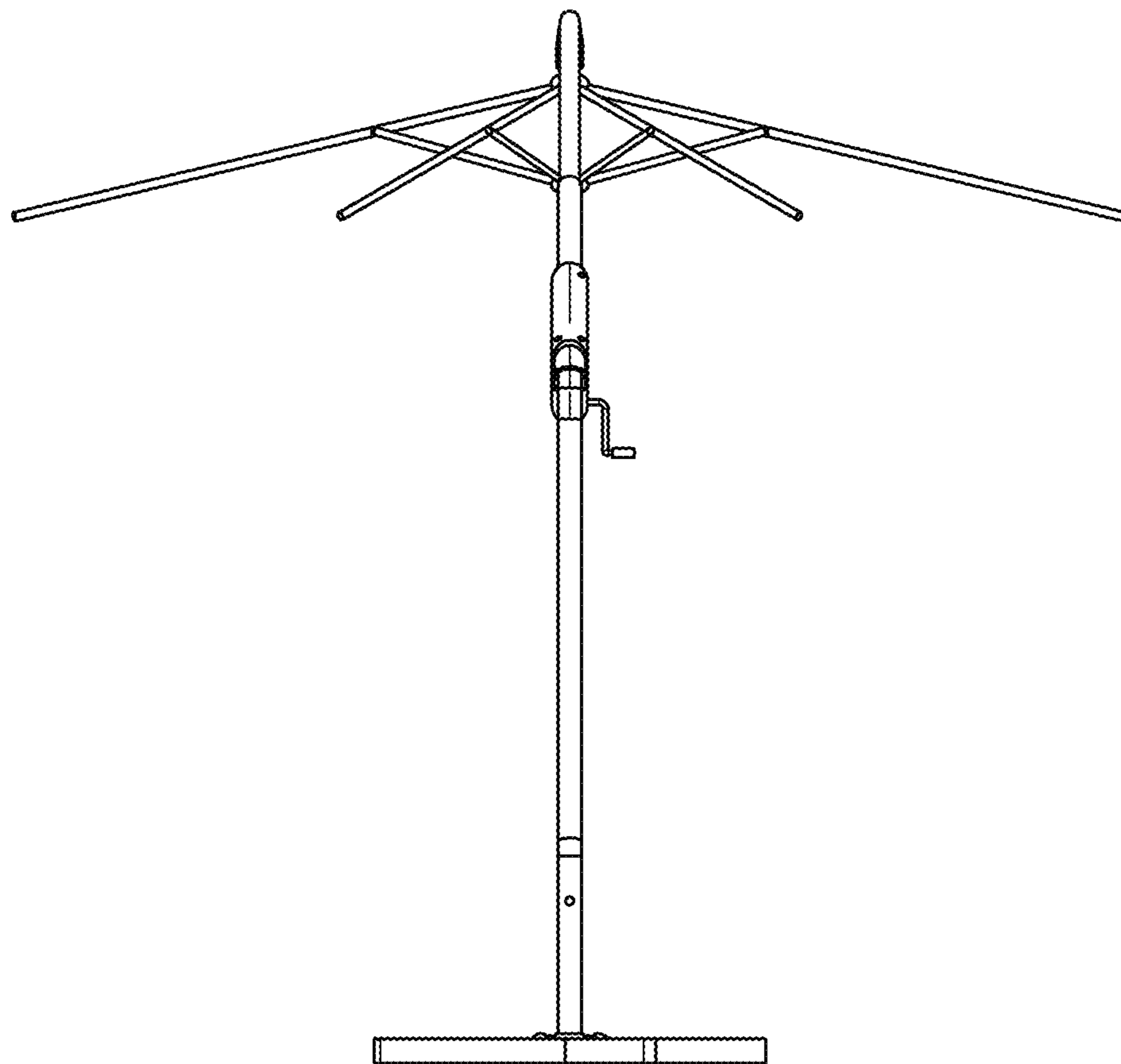


FIG. 2

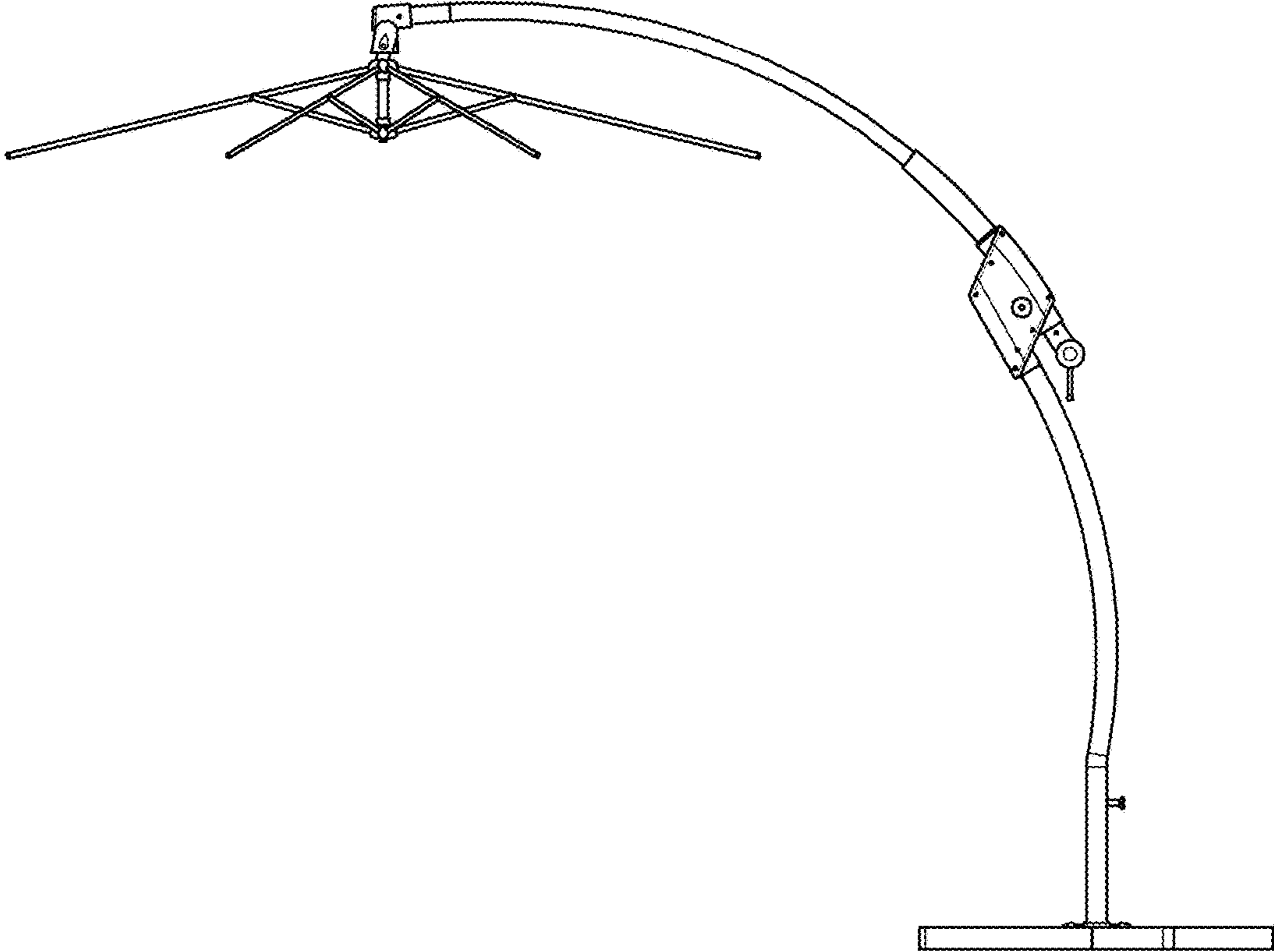


FIG. 3

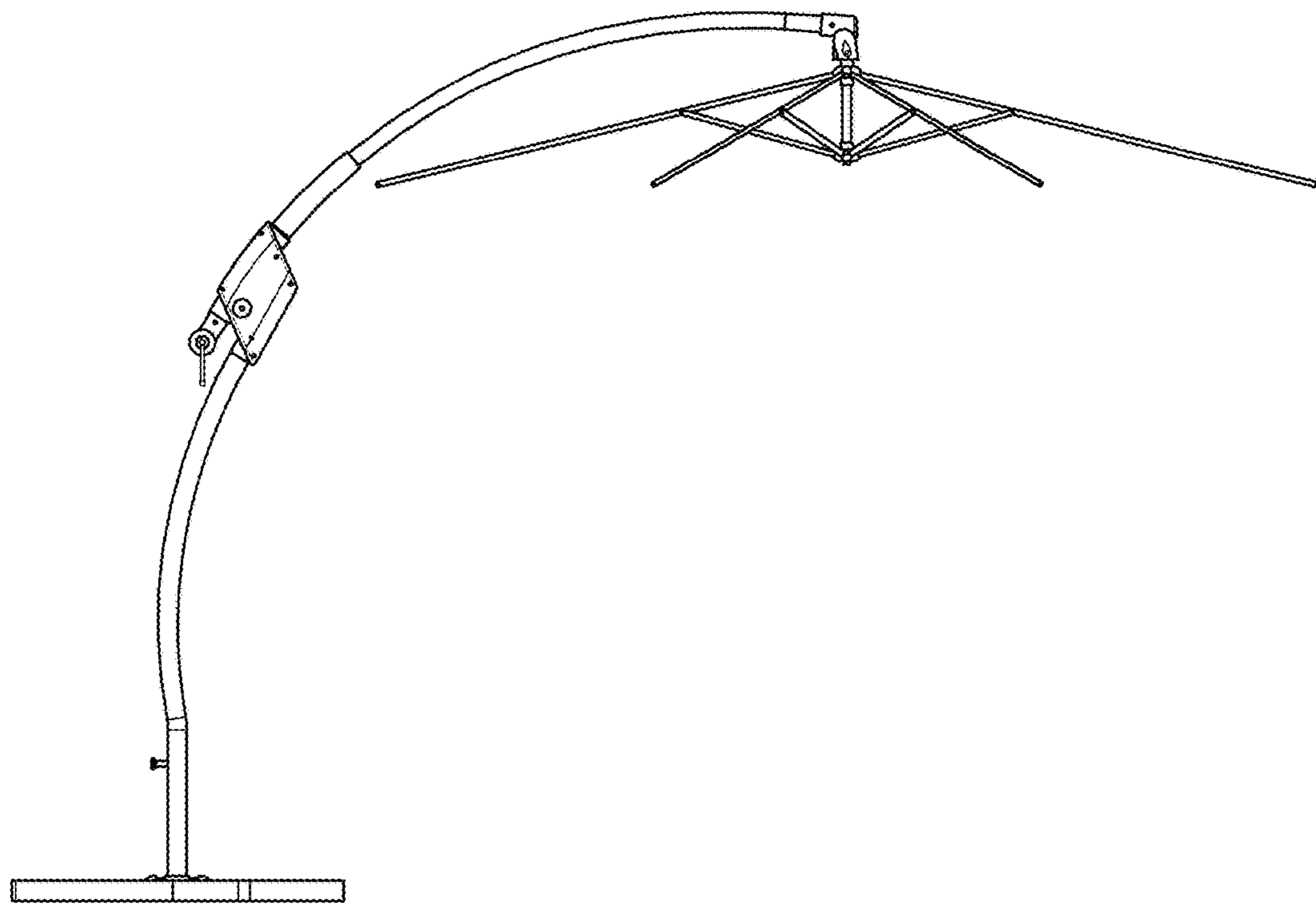


FIG. 4

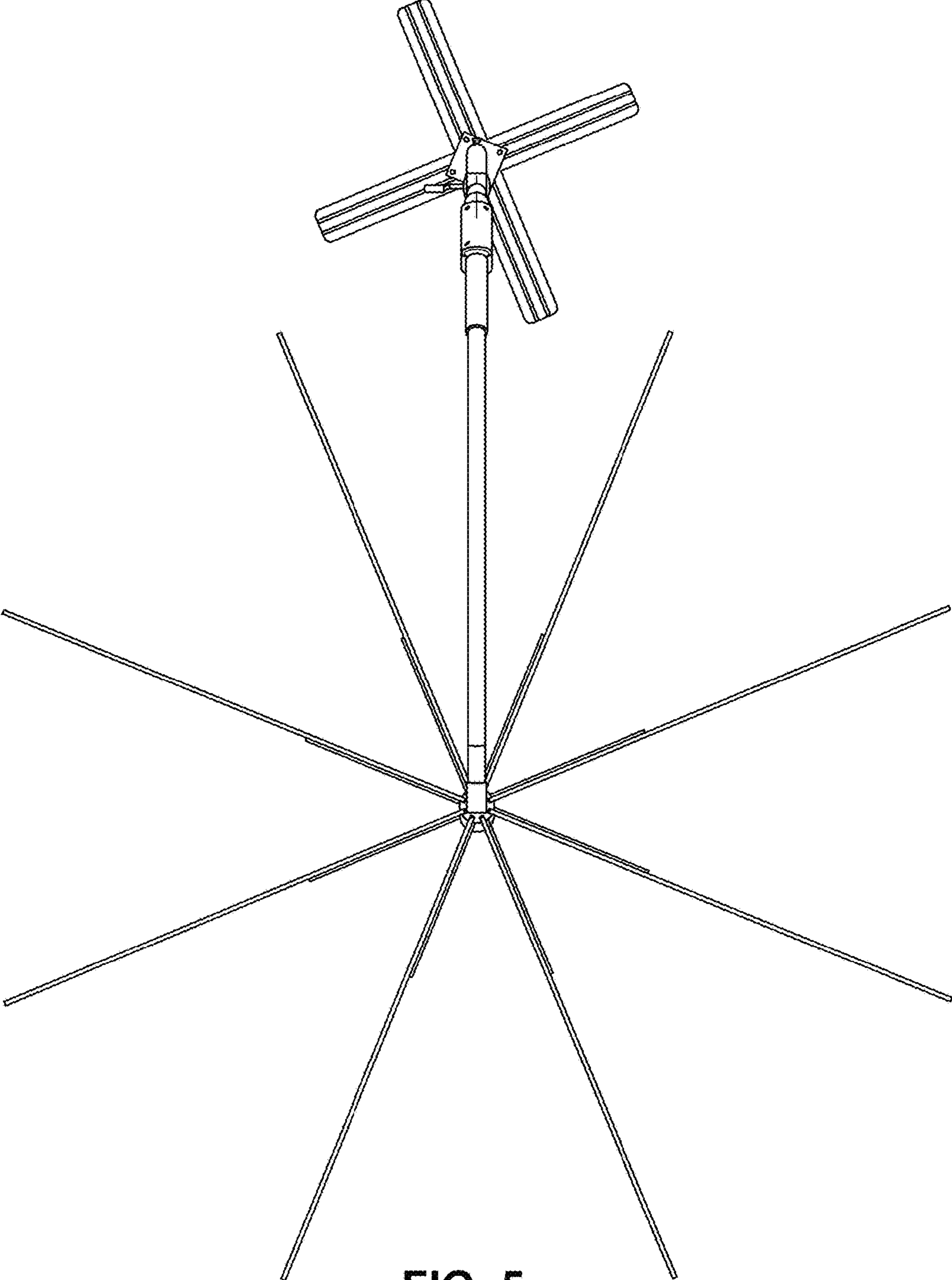


FIG. 5

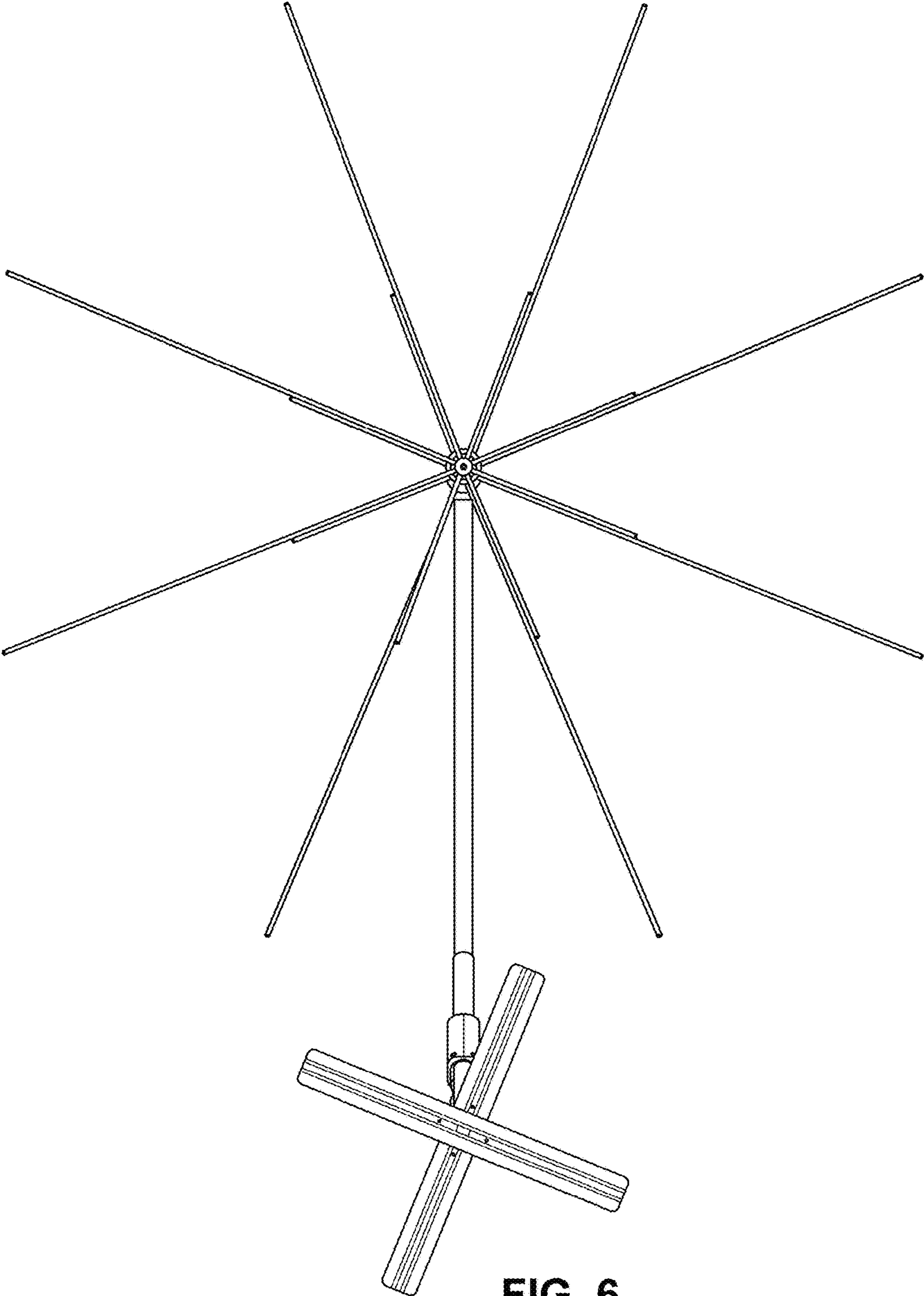


FIG. 6

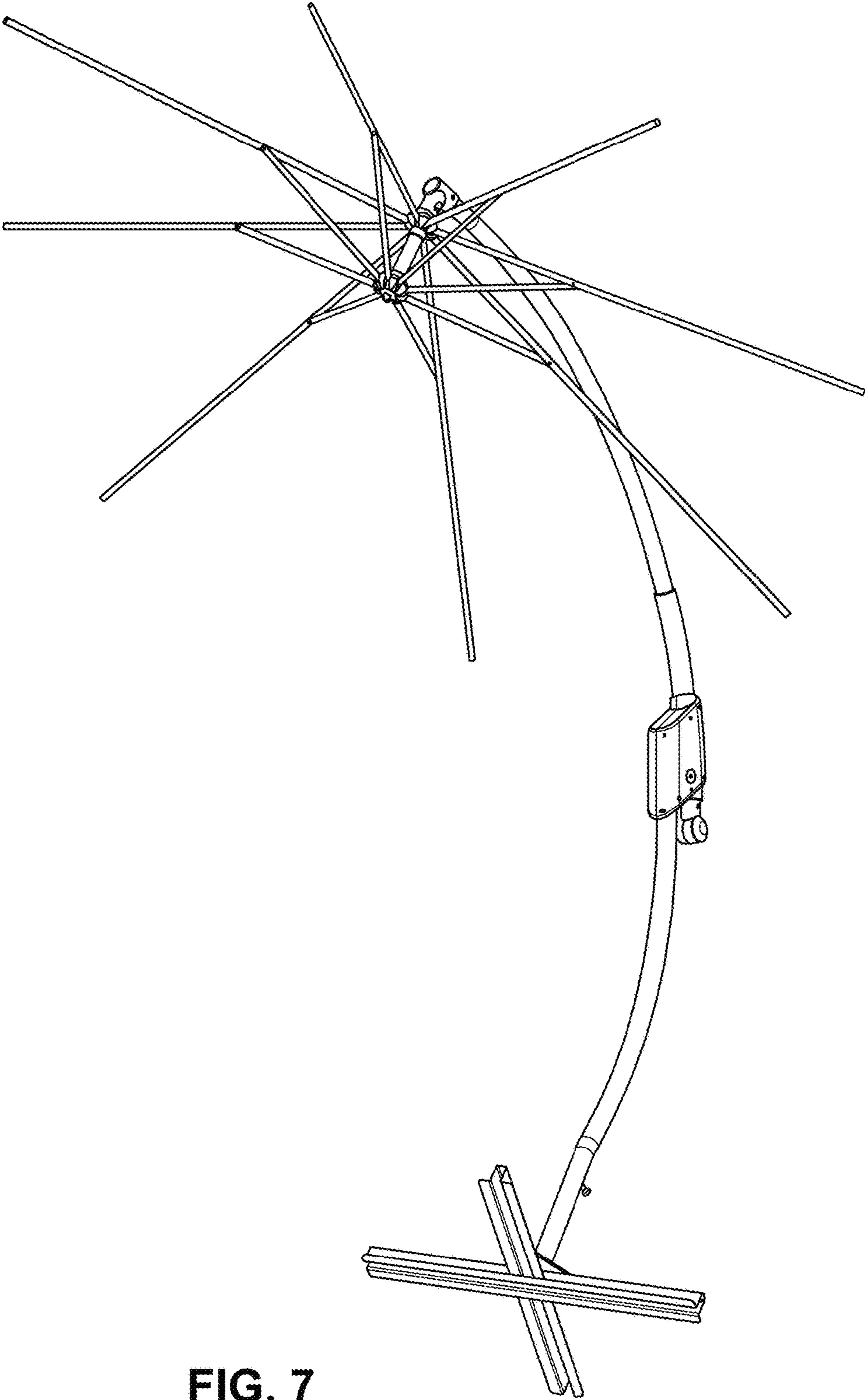


FIG. 7

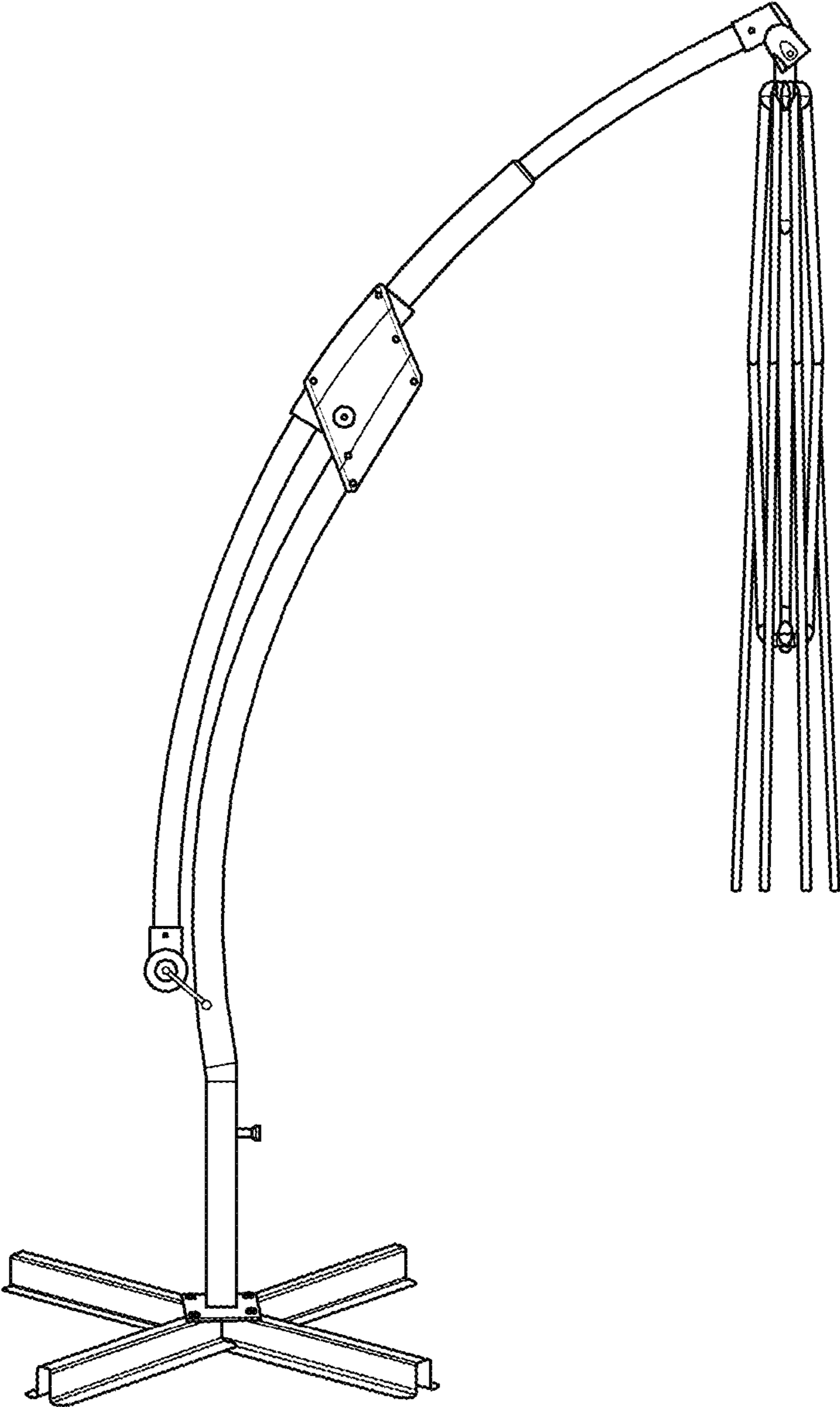


FIG. 8

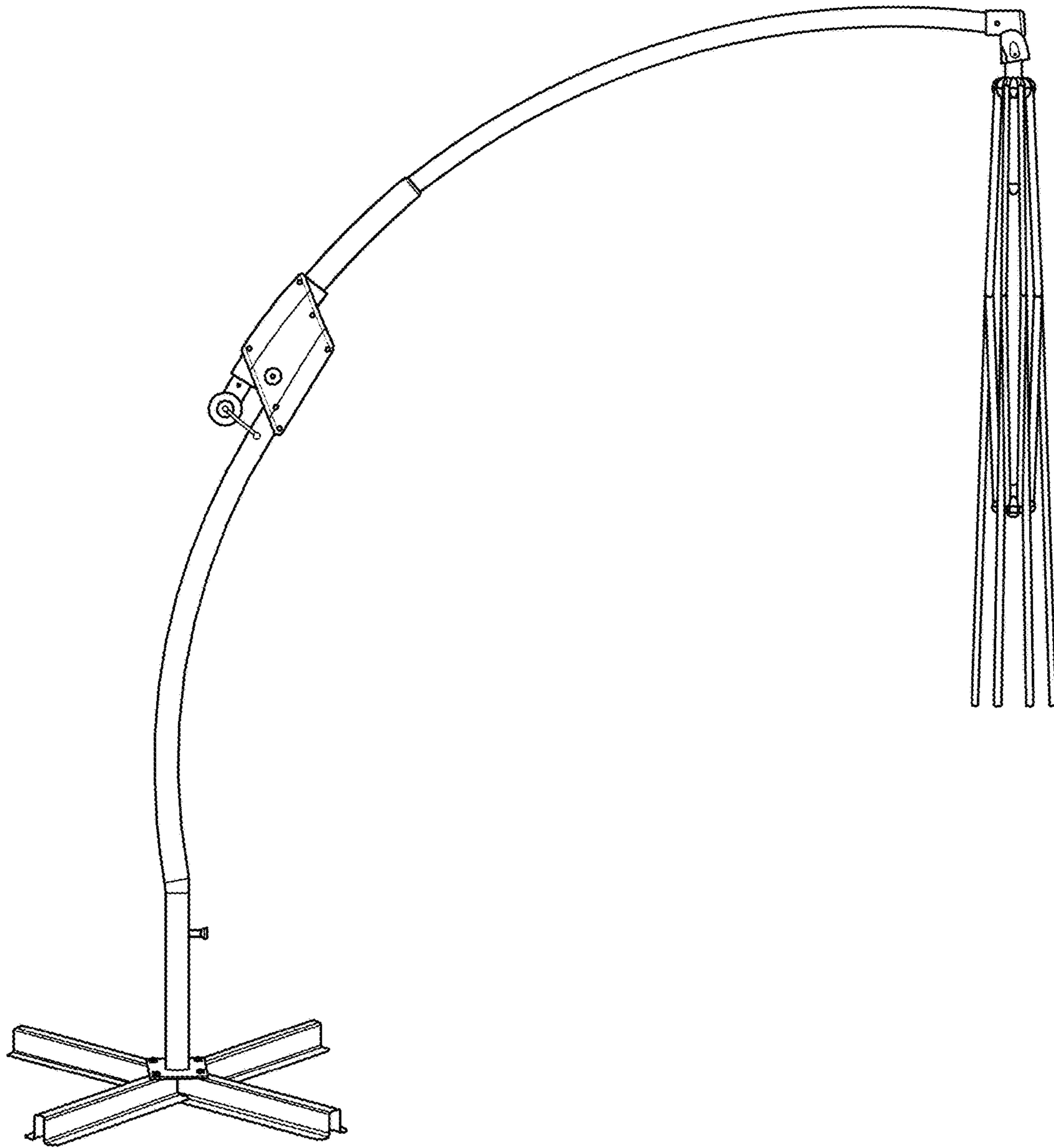


FIG. 9

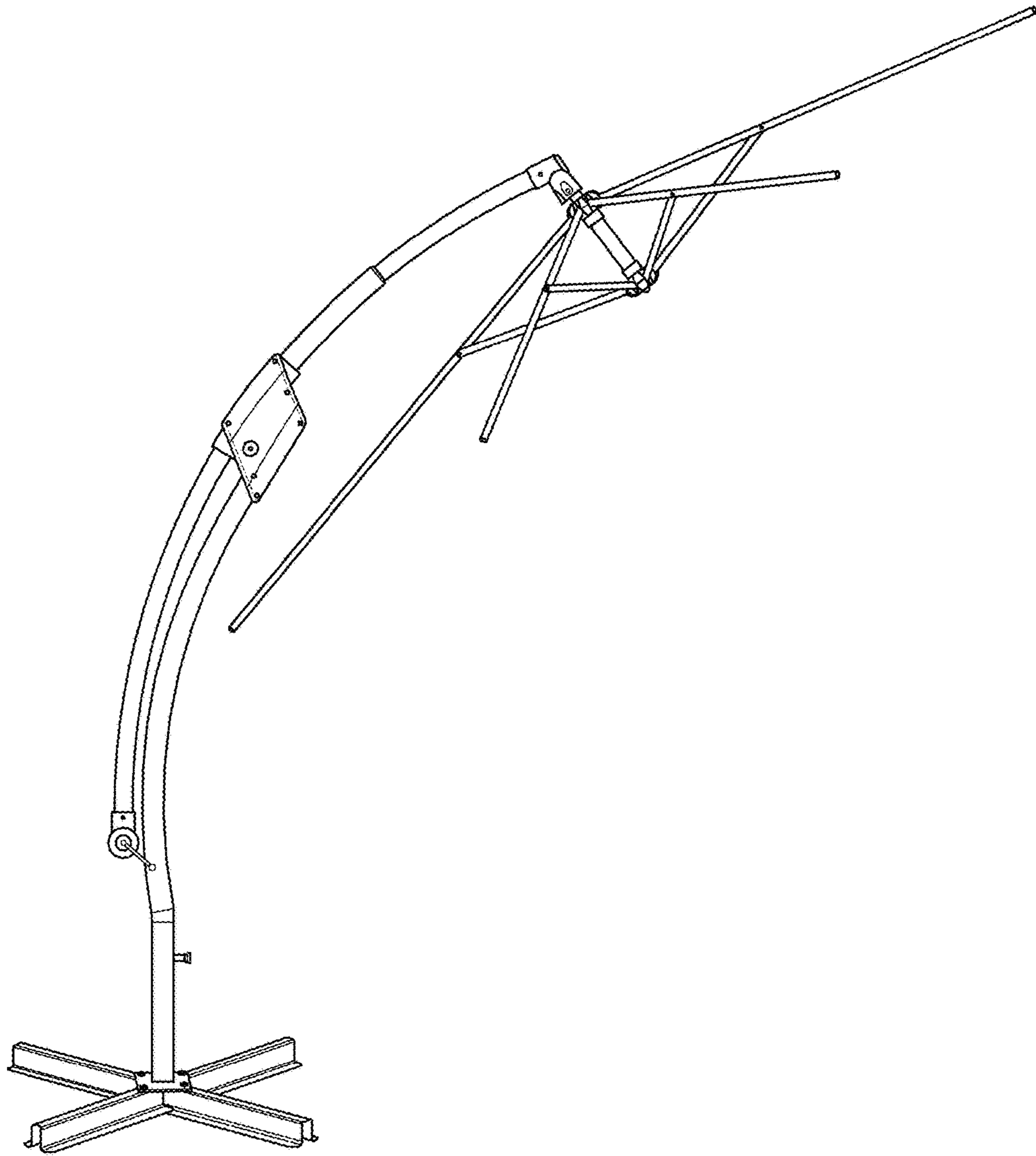


FIG. 10

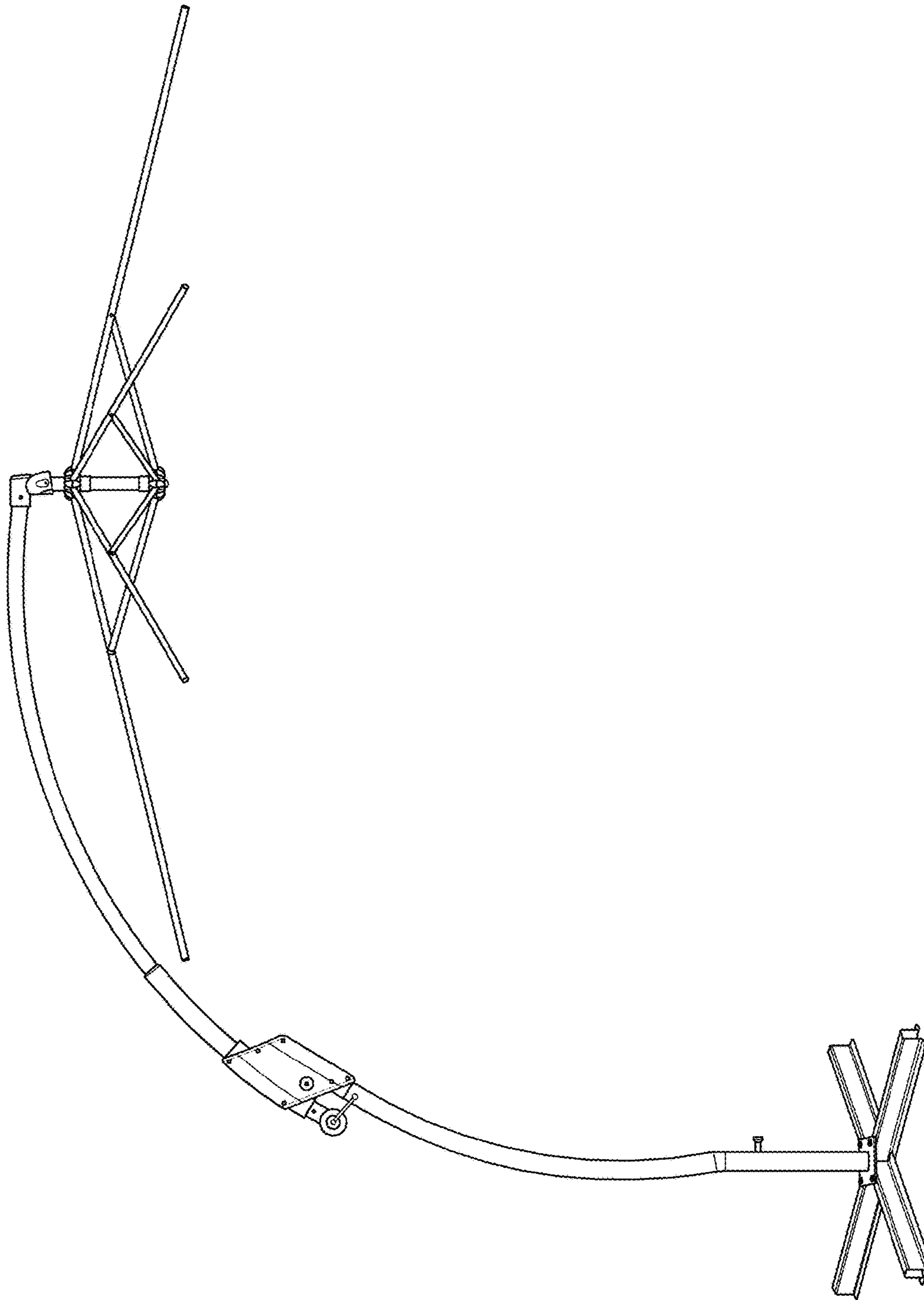


FIG. 11