



US00D813523S

(12) **United States Design Patent** (10) **Patent No.:** **US D813,523 S**
Liu (45) **Date of Patent:** **** Mar. 27, 2018**

(54) **INVERSELY FOLDABLE UMBRELLA**

(71) Applicant: **Hao-Ming Liu**, Taichung (TW)

(72) Inventor: **Hao-Ming Liu**, Taichung (TW)

(**) Term: **15 Years**

(21) Appl. No.: **29/602,631**

(22) Filed: **May 2, 2017**

Related U.S. Application Data

(63) Continuation-in-part of application No. 29/538,893, filed on Sep. 9, 2015, now Pat. No. Des. 797,437.

(51) **LOC (11) Cl.** **03-03**

(52) **U.S. Cl.**
USPC **D3/5**

(58) **Field of Classification Search**
USPC D3/5, 6, 10, 13, 14, 16
CPC ... A45B 11/00; A45B 3/00; A45B 2200/1009;
A45B 25/02; A45B 25/18; A45B 19/04;
A45B 19/10; A45B 19/00; A45B
2019/008
See application file for complete search history.

(56) **References Cited**

U.S. PATENT DOCUMENTS

- 386,260 A * 7/1888 Pearce et al. A45B 19/10
135/25.31
- D45,256 S * 2/1914 Follmer et al. D3/5
- 1,843,961 A * 2/1932 Stone A45B 19/10
135/25.32
- 2,788,792 A * 4/1957 Koller A45B 25/22
135/15.1
- D224,462 S * 7/1972 Lyons et al. D3/5
- 4,007,753 A * 2/1977 DeMarco A45B 19/10
135/25.33
- 4,350,175 A * 9/1982 DeMarco A45B 19/00
135/34.2
- 4,674,524 A * 6/1987 DeMarco A45B 19/10
135/26

- 4,978,110 A * 12/1990 Lin A45B 3/04
135/33.4
- D373,468 S * 9/1996 Dubinsky D3/5
- 5,909,746 A * 6/1999 Doster A45B 19/10
135/25.1
- D413,198 S * 8/1999 You D3/5
- D449,436 S * 10/2001 Baurley D3/5
- D509,954 S * 9/2005 Waltz D3/5

(Continued)

Primary Examiner — John Windmuller

Assistant Examiner — Steven J Czyz

(74) *Attorney, Agent, or Firm* — WPAT, PC

(57) **CLAIM**

The ornamental design for an inversely foldable umbrella, as shown and described.

DESCRIPTION

FIG. 1 is a top perspective view of an inversely foldable umbrella shown in an open position showing my new design;

FIG. 2 is a front elevation view thereof;

FIG. 3 is a rear elevation view thereof;

FIG. 4 is a left side elevation view thereof;

FIG. 5 is a right side elevation view thereof;

FIG. 6 is a top plan view thereof;

FIG. 7 is a bottom plan view thereof;

FIG. 8 is a bottom perspective view thereof;

FIG. 9 is an enlarged top perspective view of the inversely foldable umbrella, shown in a closed position;

FIG. 10 is a front elevation view thereof;

FIG. 11 is a rear elevation view thereof;

FIG. 12 is a left side elevation view thereof;

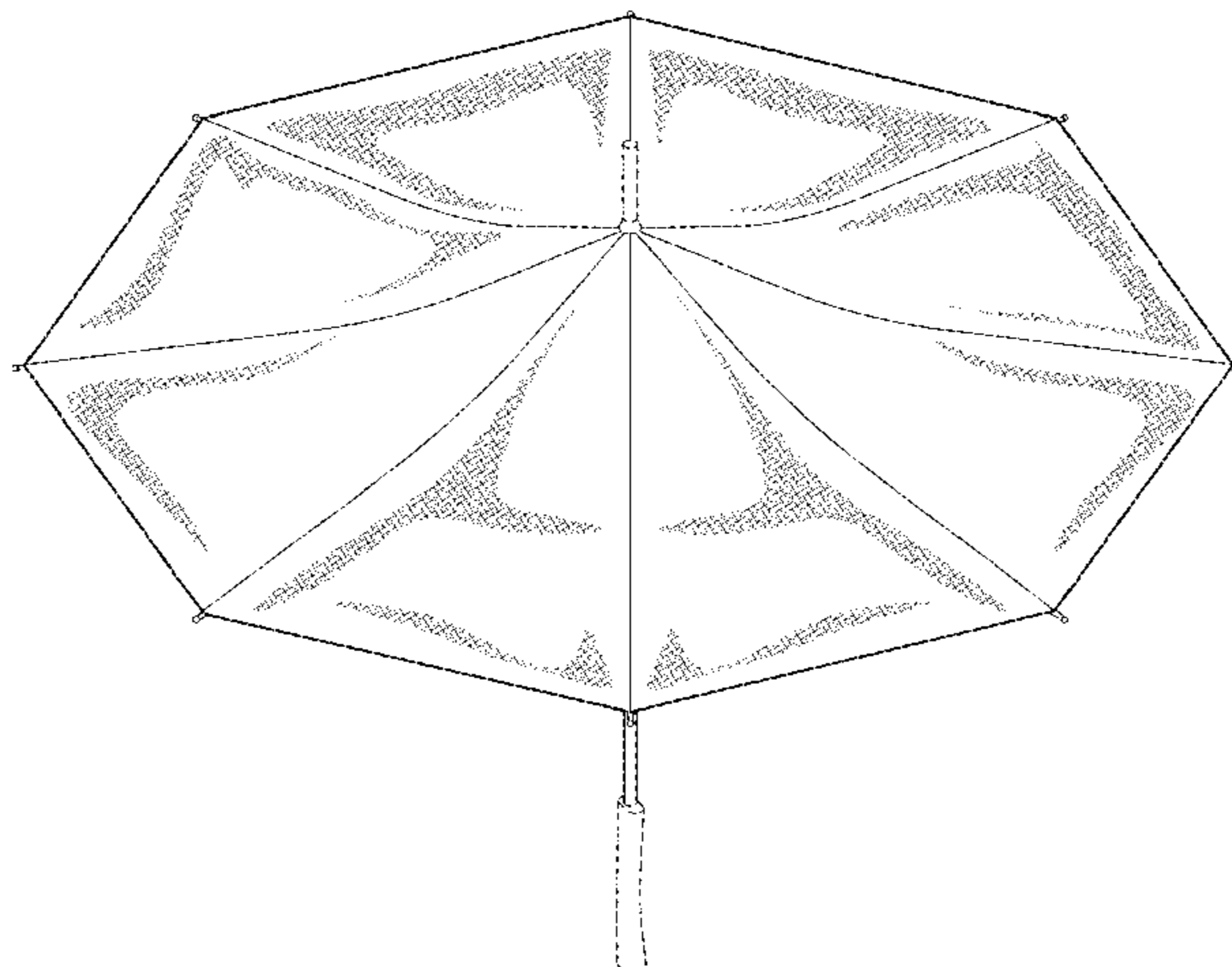
FIG. 13 is a right side elevation view thereof;

FIG. 14 is a top plan view thereof; and,

FIG. 15 is a bottom plan view thereof.

The broken lines depict portions of the article that form no part of the claimed design.

1 Claim, 14 Drawing Sheets



(56)

References Cited

U.S. PATENT DOCUMENTS

D533,992	S *	12/2006	You	D3/5
D546,551	S *	7/2007	de Oliveira Santos	D3/5
D668,444	S *	10/2012	Jang	D3/6
D696,510	S *	12/2013	Su	D3/5
D707,037	S *	6/2014	Tetsuro	D3/5
D720,524	S *	1/2015	Tetsuro	D3/13
D731,165	S *	6/2015	Principi	D3/5
D737,565	S *	9/2015	Di Cesare	D3/5
D741,590	S *	10/2015	Varga	D3/5
9,486,044	B1 *	11/2016	Dai	A45B 25/22
9,549,595	B1 *	1/2017	Liu	A45B 19/00
2002/0148495	A1 *	10/2002	Usui	A45B 25/02
				135/28
2004/0211451	A1 *	10/2004	Goh	A45B 25/20
				135/31
2006/0185701	A1 *	8/2006	Chen	A45B 25/02
				135/31
2008/0006313	A1 *	1/2008	Wang	A45B 19/00
				135/31
2016/0360841	A1 *	12/2016	Ho	A45B 9/02

* cited by examiner

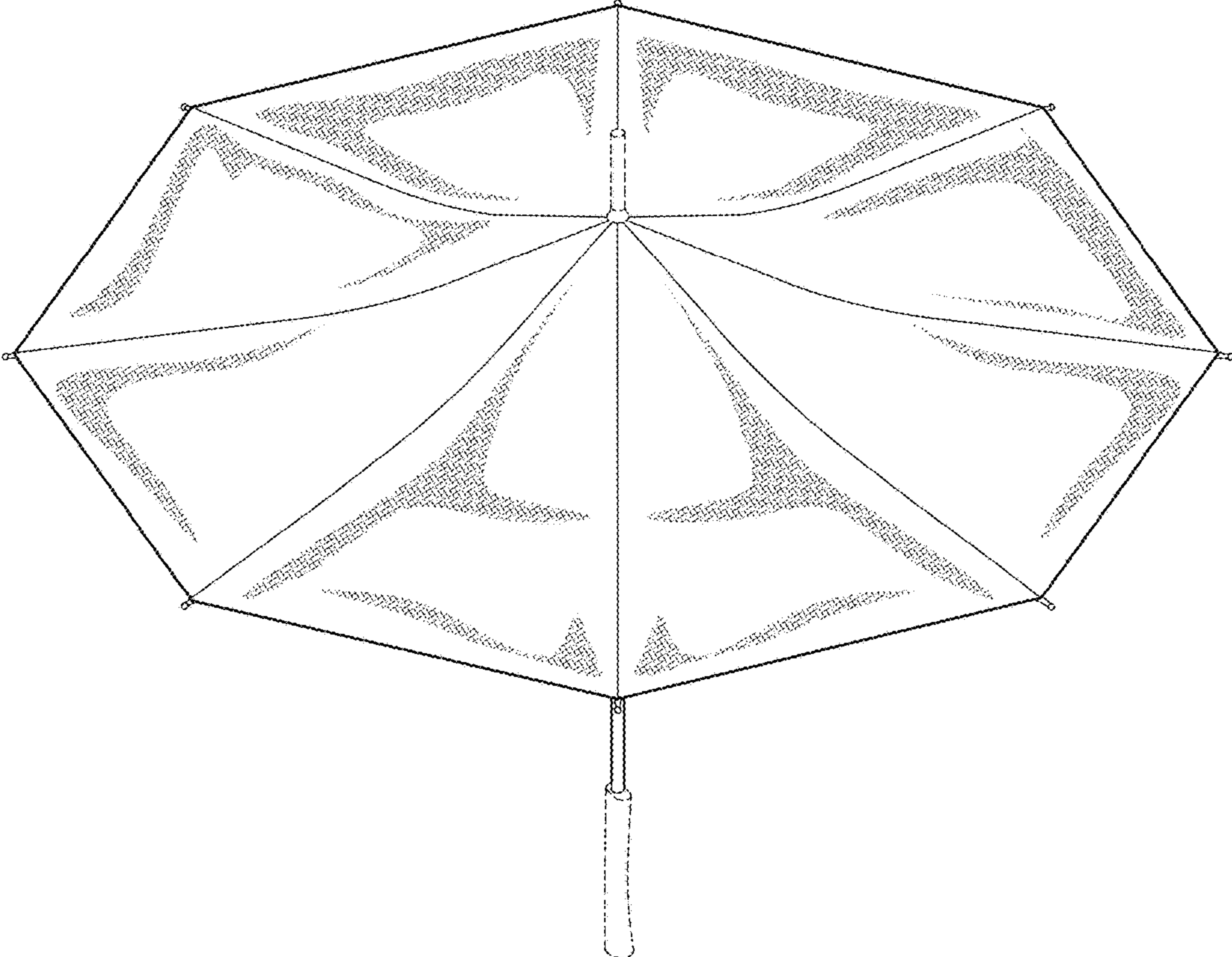


FIG. 1

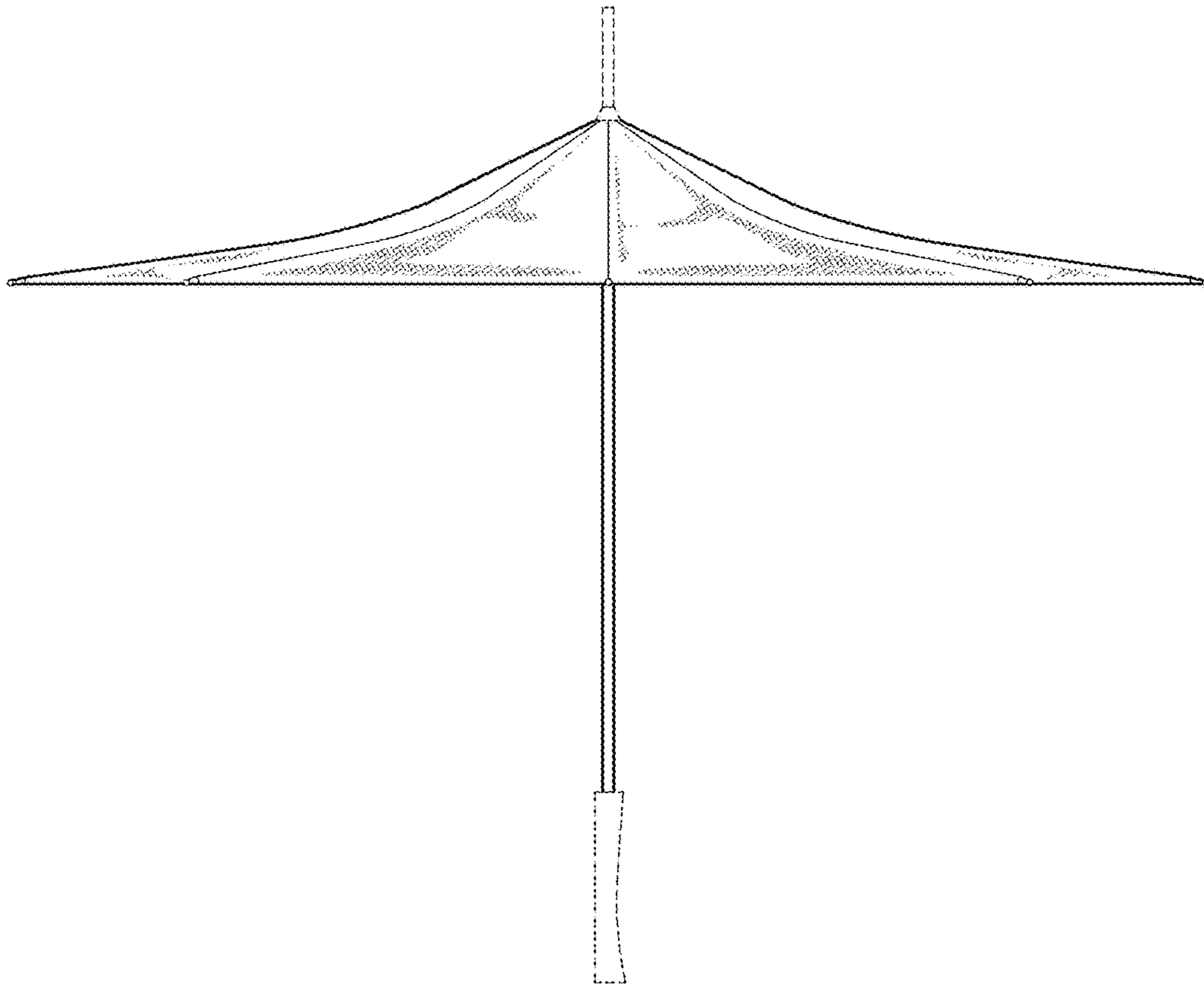


FIG. 2

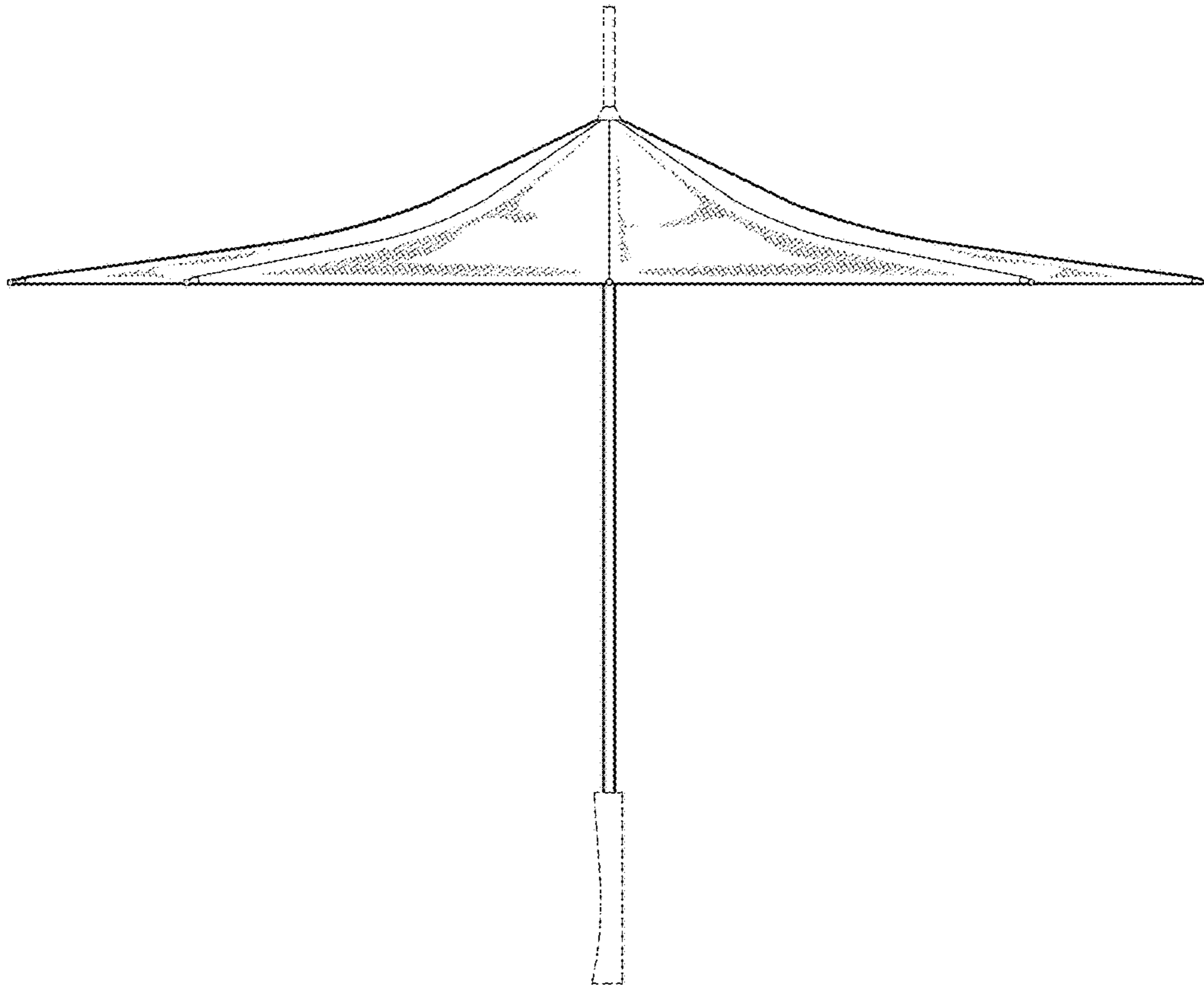


FIG. 3

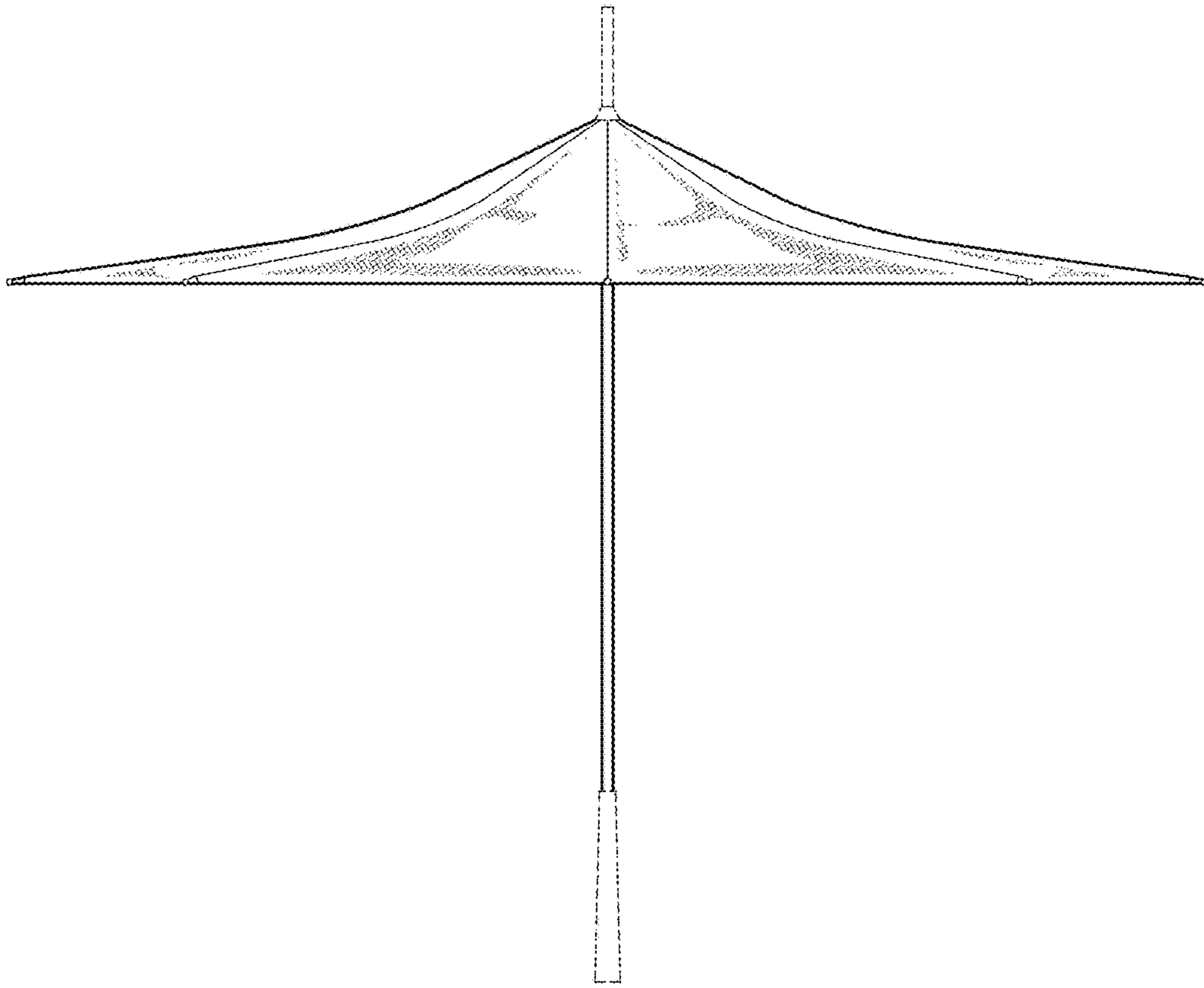


FIG. 4

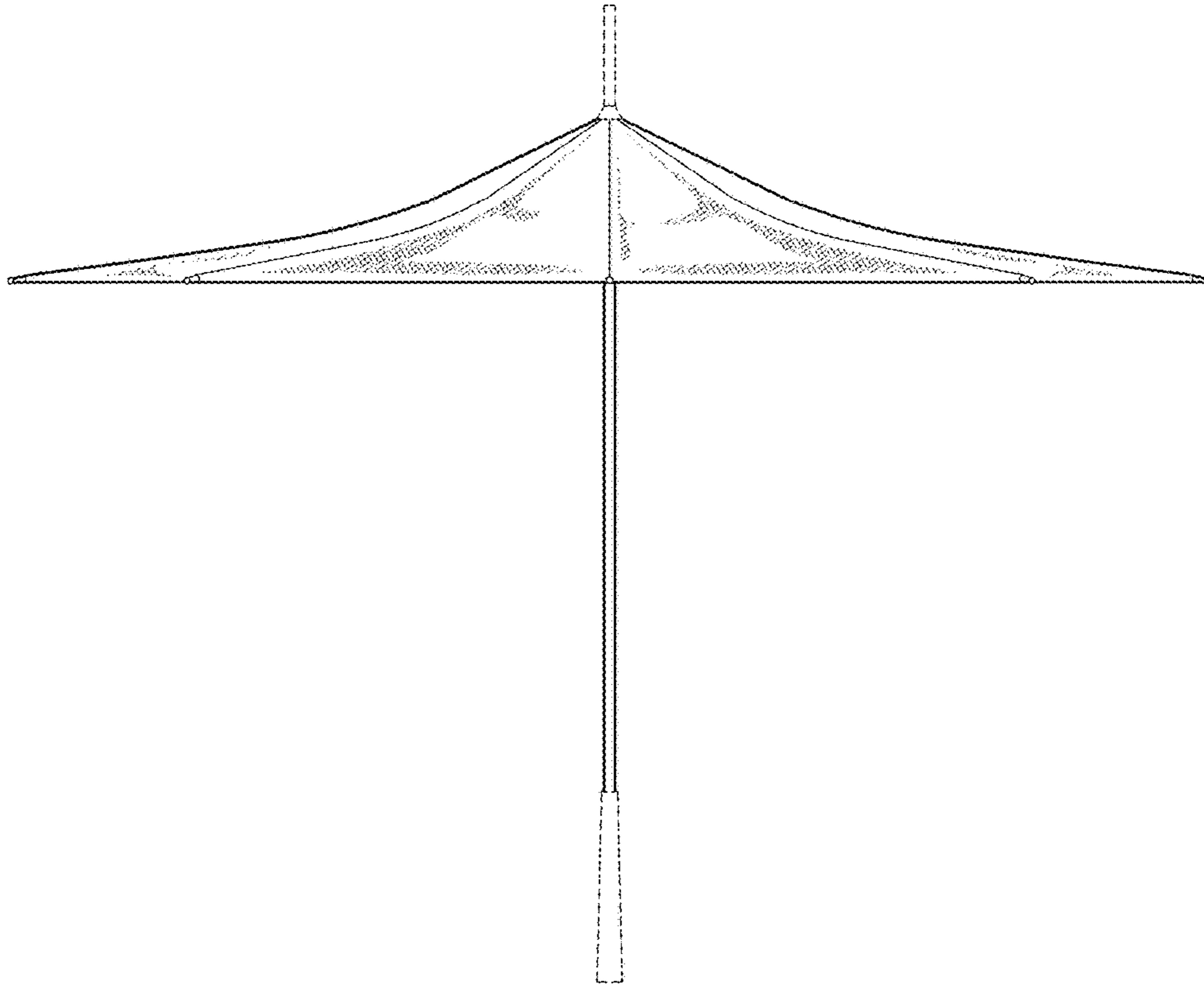


FIG. 5

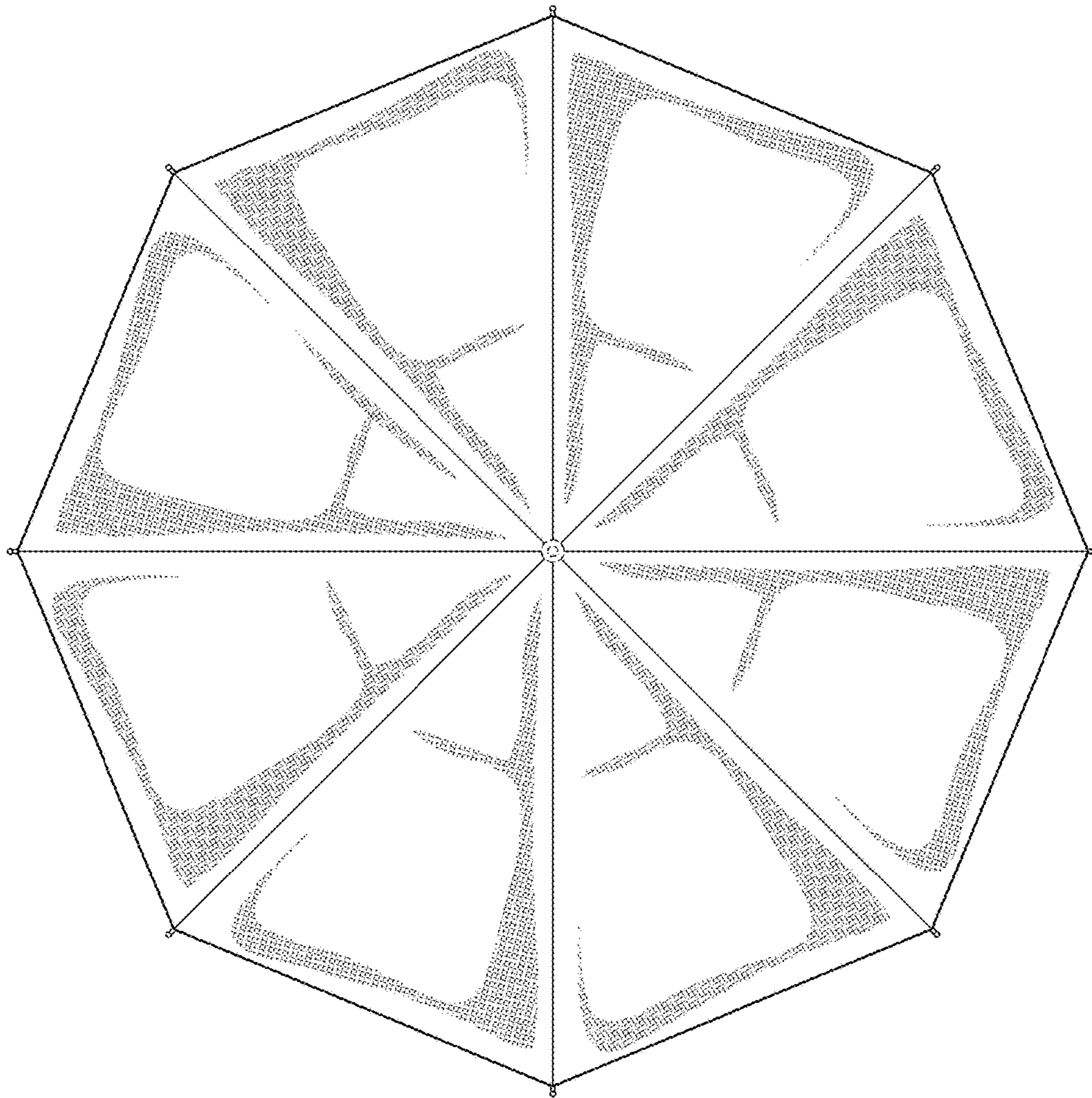


FIG. 6

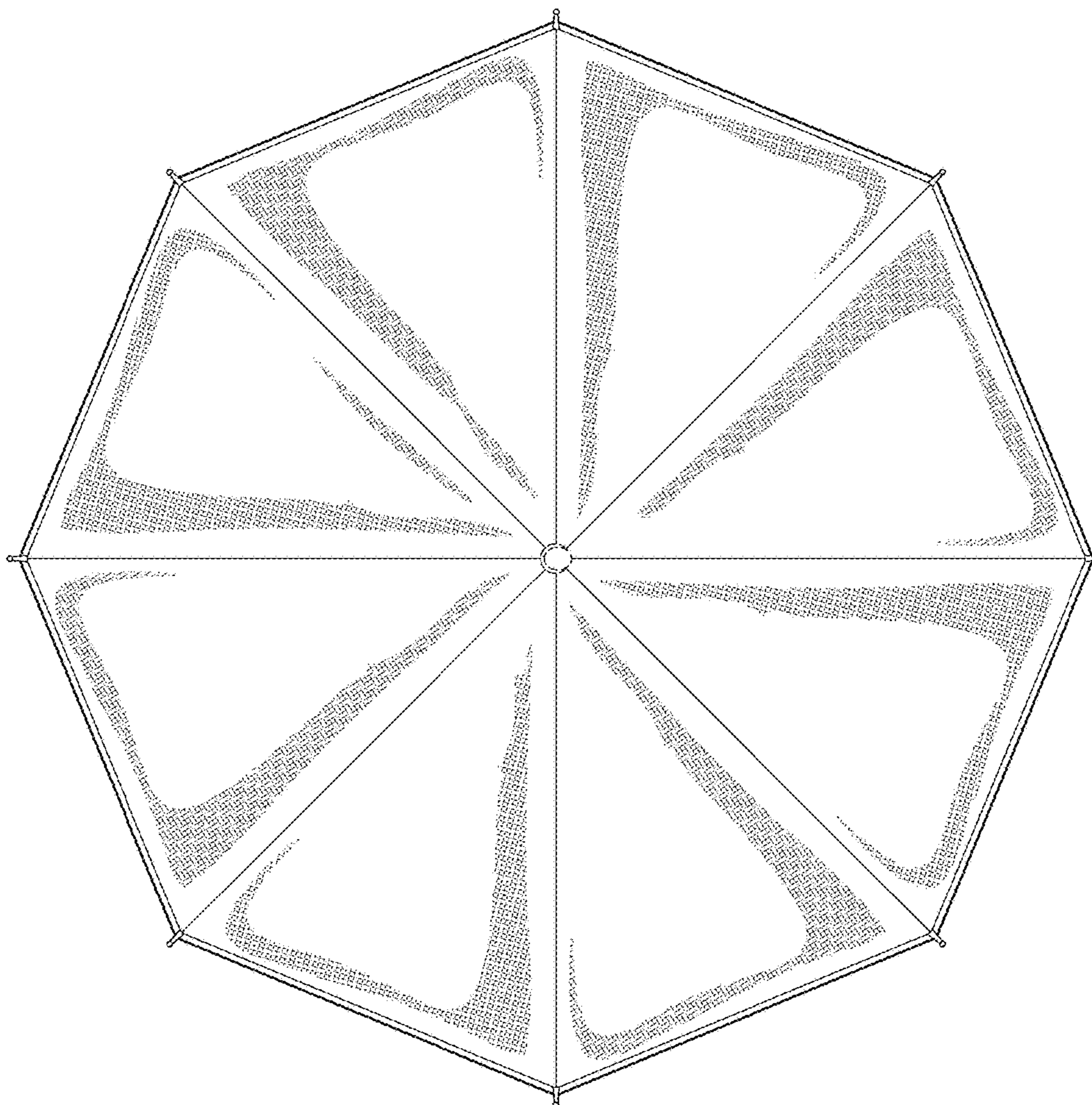


FIG. 7

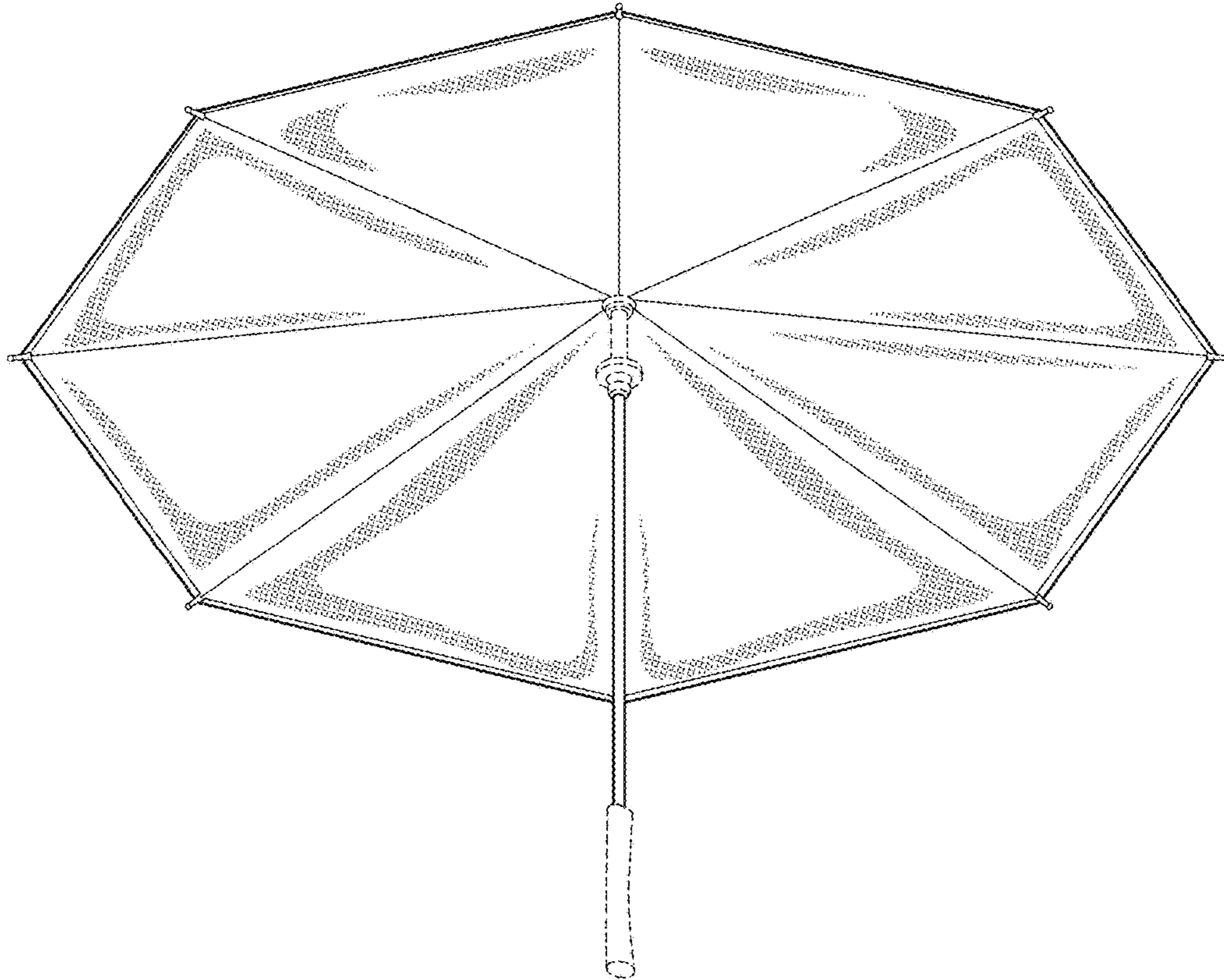


FIG. 8

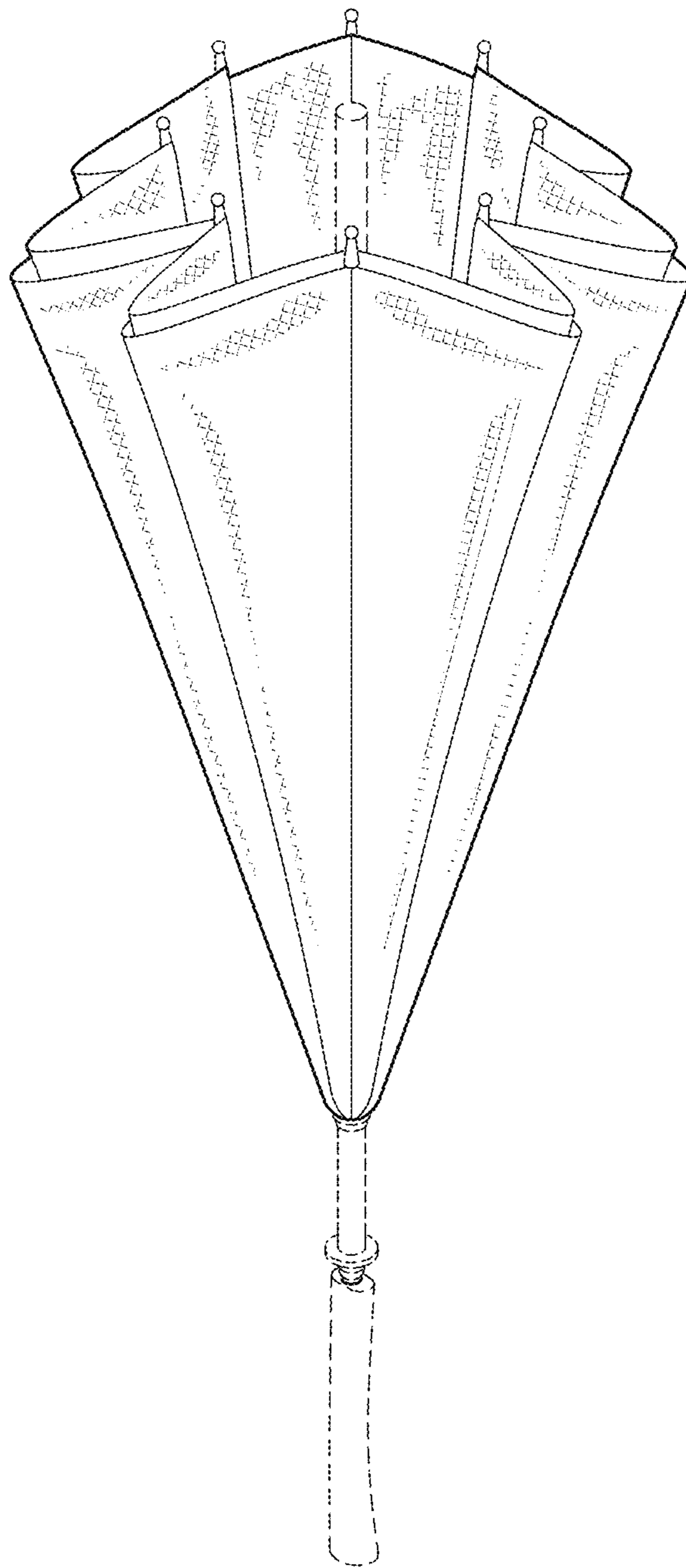


FIG. 9

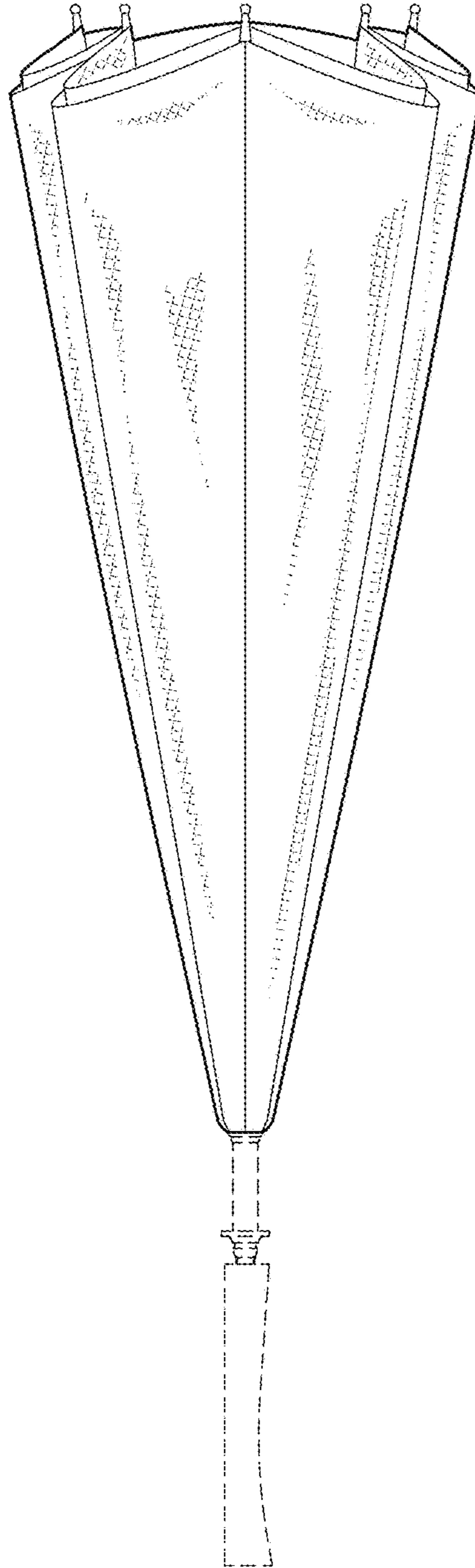


FIG. 10

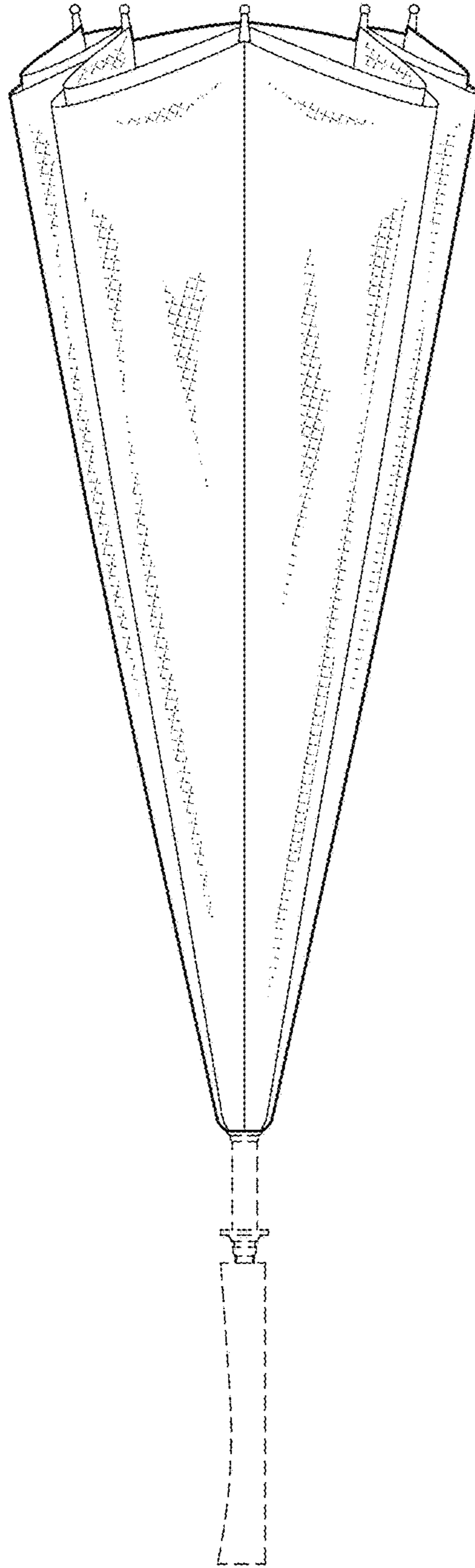


FIG. 11

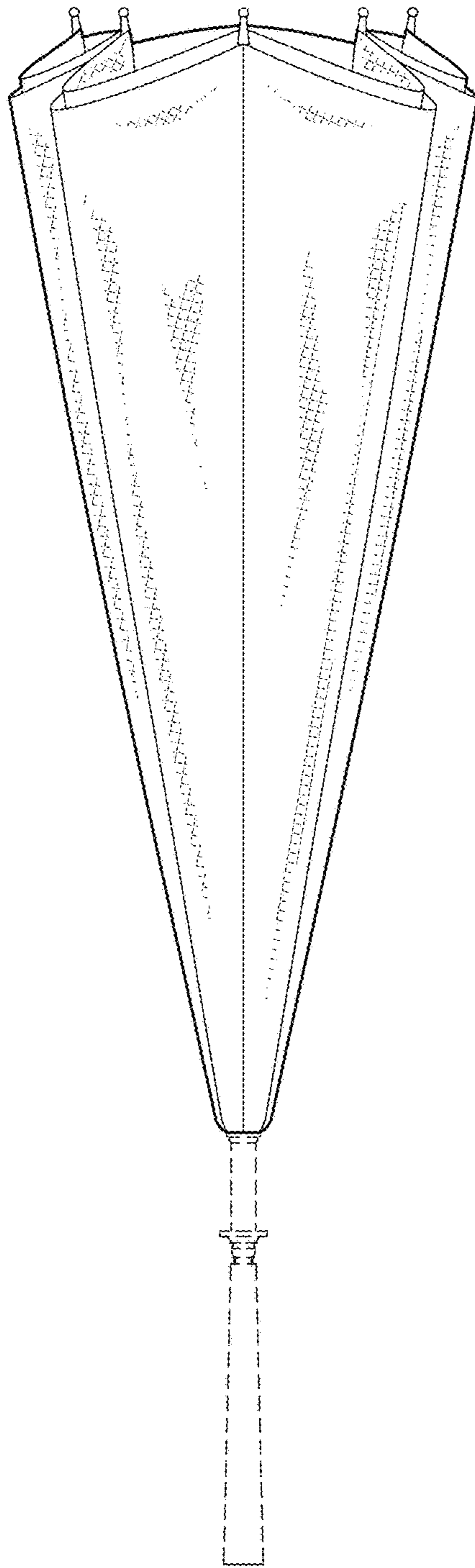


FIG. 12

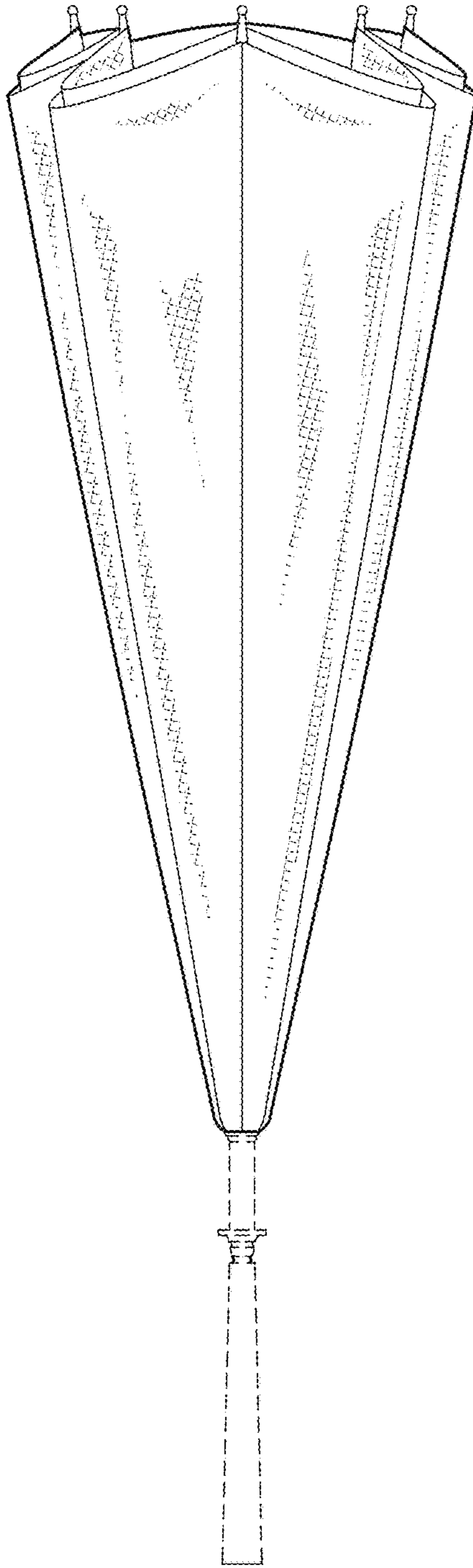


FIG. 13

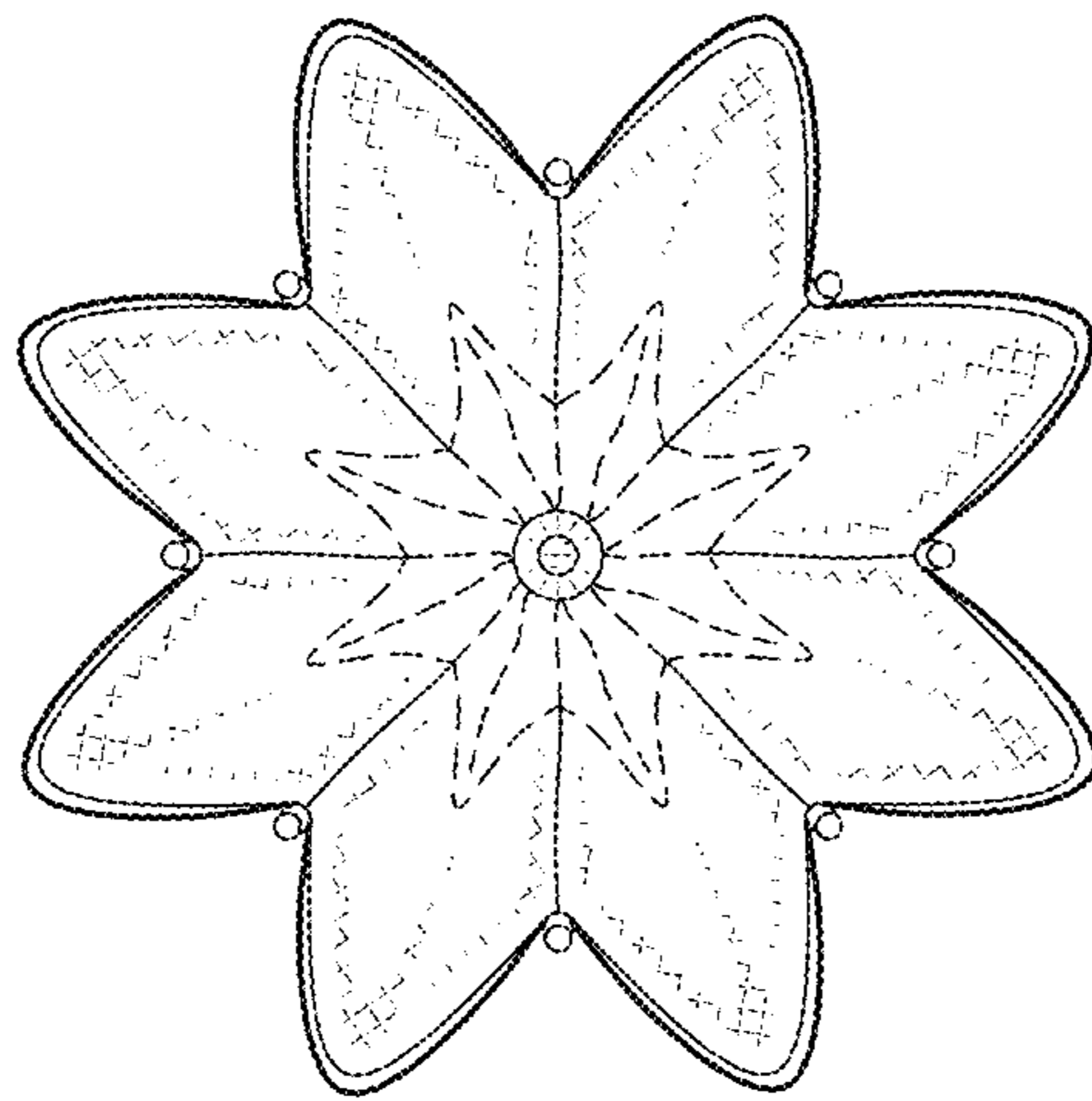


FIG. 14

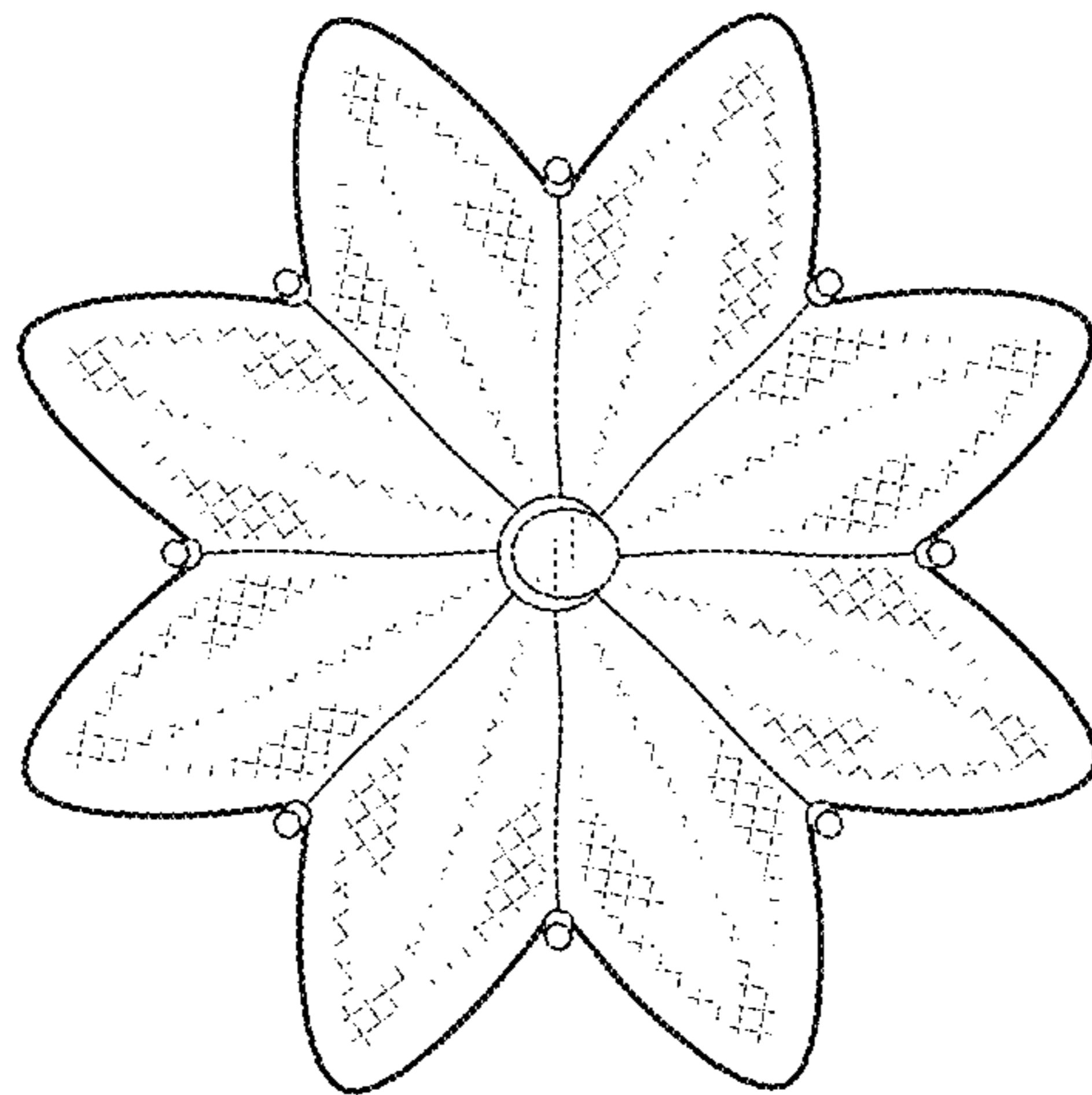


FIG. 15