



US00D813522S

(12) **United States Design Patent** (10) **Patent No.:** **US D813,522 S**
Cin (45) **Date of Patent:** **** Mar. 27, 2018**

(54) **SHOE UPPER**

(71) Applicant: **NIKE, Inc.**, Beaverton, OR (US)

(72) Inventor: **David Jonathan Cin**, Portland, OR (US)

(73) Assignee: **NIKE, Inc.**, Beaverton, OR (US)

(**) Term: **15 Years**

(21) Appl. No.: **29/613,913**

(22) Filed: **Aug. 14, 2017**

(51) **LOC (11) Cl.** **02-99**

(52) **U.S. Cl.**
USPC **D2/973**

(58) **Field of Classification Search**
USPC D2/902, 906-908, 923, 944, 946, 969,
D2/972-975; D5/7, 15, 46, 47, 49
CPC ... A43B 13/181; A43B 13/141; A43B 13/186;
A43B 13/188; A43B 23/00; A43B 23/02;
A43B 5/00; A43B 23/26; A43B 1/04;
A43B 11/14; A43B 7/00; A43B 3/12
See application file for complete search history.

(56) **References Cited**

U.S. PATENT DOCUMENTS

D283,463 S *	4/1986	Chassaing	D2/902
D298,685 S	11/1988	Dillard	
D328,517 S	8/1992	Hallenbeck	
D337,425 S *	7/1993	Hatfield	D2/973
D341,703 S *	11/1993	Hatfield	D2/973
D341,927 S	12/1993	Worthington	
D346,686 S	5/1994	Hatfield	
D346,894 S	5/1994	Hatfield	
D385,102 S	10/1997	Avar	
D459,870 S	7/2002	St. Louis	
D513,361 S	1/2006	Teriatnikov	
D524,023 S	7/2006	Avar	
D524,530 S	7/2006	Avar	
D527,886 S *	9/2006	Morris	D2/972

D533,710 S	12/2006	Lupo	
D545,049 S	6/2007	Dirsa	
D545,051 S	6/2007	Roulo	
D553,839 S *	10/2007	Tapolcai	D2/969
D561,445 S *	2/2008	Belley	D2/969
D568,596 S	5/2008	Petrie	
D568,597 S	5/2008	Alfaro	
D576,382 S *	9/2008	Hickman	D2/902
D596,383 S *	7/2009	Morris	D2/907
D598,188 S *	8/2009	Walton	D2/969

(Continued)

OTHER PUBLICATIONS

Nike Footwear Catalog, 1992 Fall Footwear, p. 26, published Dec. 1991, NIKE, Inc., USA.

(Continued)

Primary Examiner — Dominic V Simone

(74) *Attorney, Agent, or Firm* — Banner & Witcoff, Ltd.

(57) **CLAIM**

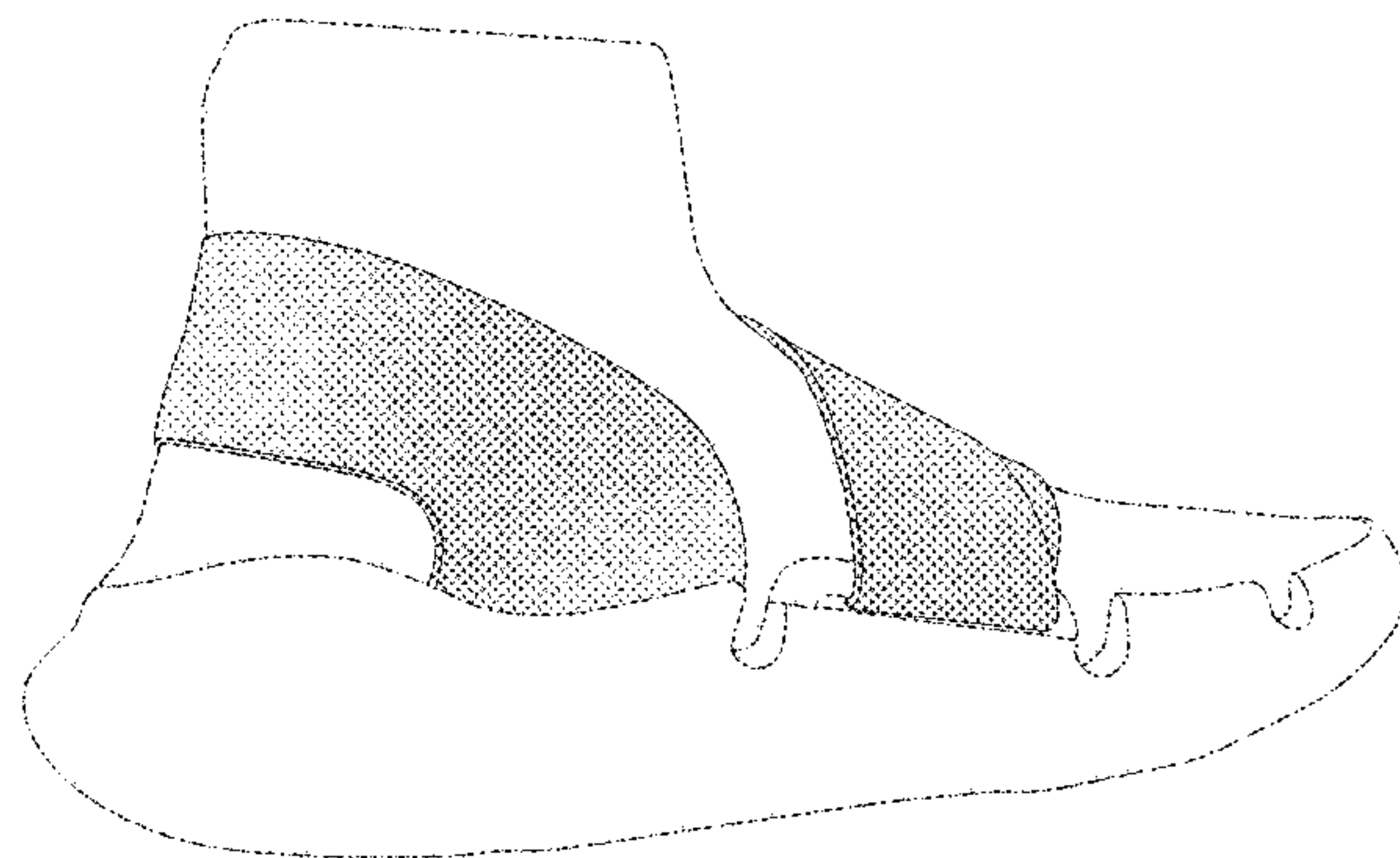
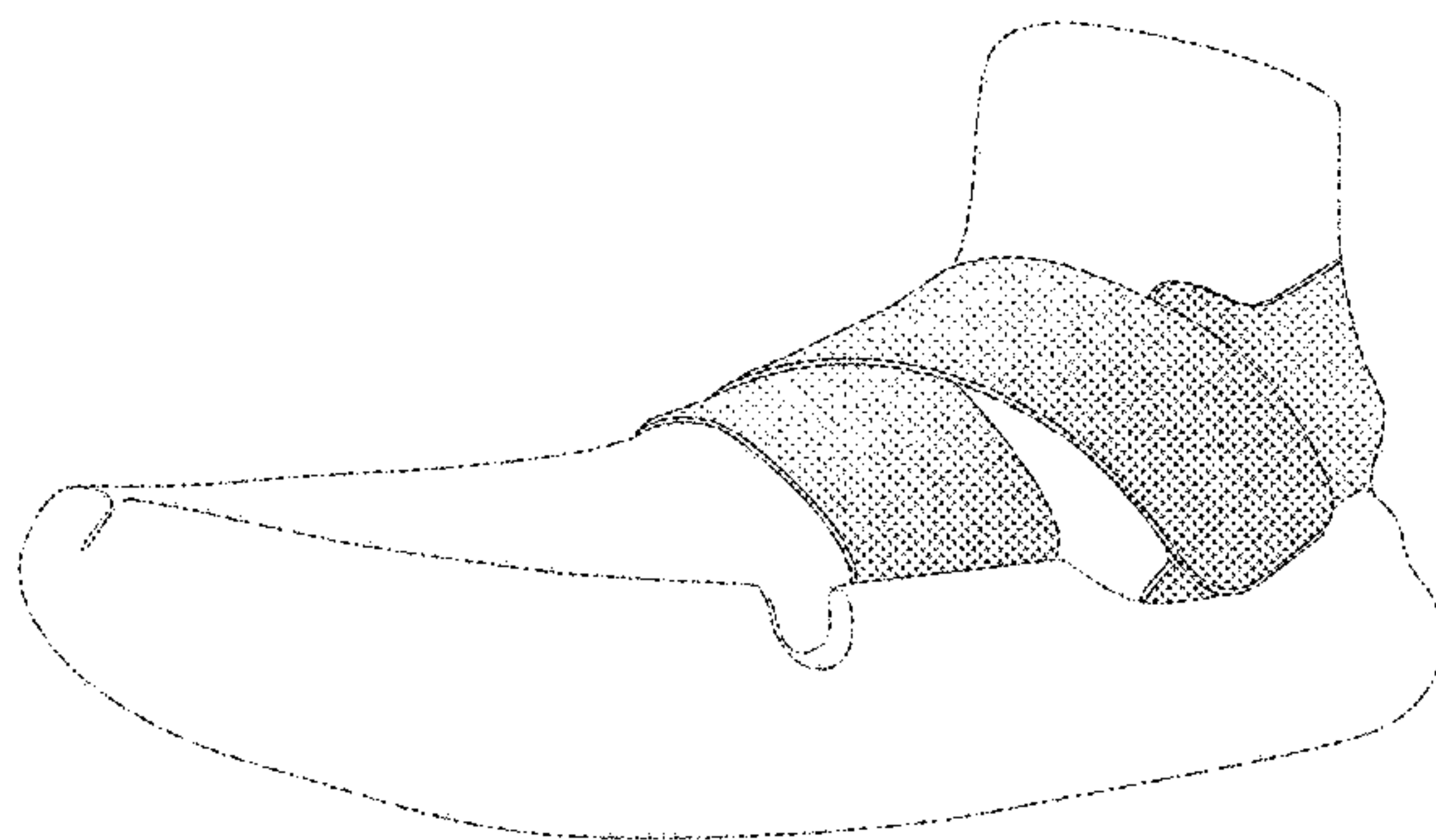
The ornamental design for a shoe upper, as shown and described.

DESCRIPTION

FIG. 1 is a front perspective view of a shoe upper showing my new design;
FIG. 2 is a second front perspective view thereof;
FIG. 3 is a side view thereof;
FIG. 4 is a second side view thereof;
FIG. 5 is a rear perspective view thereof;
FIG. 6 is a front view thereof;
FIG. 7 is a rear view thereof; and,
FIG. 8 is a top view thereof.

The broken lines immediately adjacent to the shaded area define the bounds of the claimed design and form no part thereof. The broken lines showing the remainder of the shoe represent unclaimed subject matter and form no part of the claimed design.

1 Claim, 8 Drawing Sheets



(56)

References Cited

U.S. PATENT DOCUMENTS

D609,897 S *	2/2010	Carbonere	D2/969
D613,043 S *	4/2010	Walton	D2/902
D648,117 S	11/2011	Johnsongriffin	
D649,757 S *	12/2011	Walton	D2/929
D671,728 S	12/2012	Kelley	
D674,178 S	1/2013	Petrie	
D682,525 S	5/2013	James	
D682,528 S	5/2013	Link	
D683,123 S	5/2013	James	
D718,920 S	12/2014	Jones et al.	
D746,578 S *	1/2016	Chang	D2/973
D762,371 S	8/2016	McClaskie	
D771,932 S	11/2016	Little	
D787,796 S	5/2017	Spring	
D787,797 S	5/2017	Spring	
D788,444 S *	6/2017	Seamarks	D2/973
D789,047 S	6/2017	Bruder et al.	
D790,192 S	6/2017	Hardman	
D792,078 S	7/2017	Greenspan	
D793,709 S	8/2017	Remy	
D793,711 S	8/2017	Hardman	
D794,309 S	8/2017	Kanata	
D794,315 S	8/2017	Kanata	
D796,182 S	9/2017	Salzano	
D798,583 S *	10/2017	Enayah	D2/973
D799,809 S	10/2017	Link	
D804,799 S	12/2017	Petrenka	
D805,756 S *	12/2017	Enayah	D2/973
D807,007 S *	1/2018	Ringholz	D2/969
D808,149 S *	1/2018	Hernandez	D2/973

OTHER PUBLICATIONS

Nike Footwear Catalog, 1993 Fall Footwear, p. 26, published Dec. 1992, NIKE, Inc., USA.
 Nike Footwear Catalog, 1994 Fall Footwear, p. 24, published Nov. 1993, NIKE, Inc., USA.
 Nike Footwear Catalog, 1994 Spring Footwear, p. 26, published Jun. 1993, NIKE, Inc., USA.
 Nike Footwear Catalog, 1994 Spring Footwear, p. 94, published Jun. 1993, NIKE, Inc., USA.
 Nike Footwear Catalog, 1994 Spring Footwear, p. 144, published Jun. 1993, NIKE, Inc., USA.
 Nike Footwear Catalog, 1998 Holiday Men's Specialty and Women's & Kids' Footwear, p. 45, published Feb. 1998, NIKE, Inc., USA.
 Nike Footwear Catalog, 2002 Fall Men's and Women's Footwear, p. 4, published Nov. 2001, NIKE, Inc., USA.
 Nike Footwear Catalog, 2005 Spring Men's, Women's, Boys, and Girl's Footwear, p. 34, published Jun. 2004, NIKE, Inc., USA.
 Nike Footwear Catalog, 2005 Spring Men's, Women's, Boys, and Girl's Footwear, p. 35, published Jun. 2004, NIKE, Inc., USA.
 Nike Footwear Catalog, 2005 Fall Footwear, p. 35, published Nov. 2004, NIKE, Inc., USA.
 Nike Footwear Catalog, 2005 Fall Footwear, p. 42, published Nov. 2004, NIKE, Inc., USA.
 Nike Footwear Catalog, 2005 Fall Footwear, p. 127, published Nov. 2004, NIKE, Inc., USA.

Nike Footwear Catalog, 2005 Holiday Footwear, p. 47, published Mar. 2005, NIKE, Inc., USA.
 Nike Footwear Catalog, 2005 Holiday Footwear, p. 174, published Mar. 2005, NIKE, Inc., USA.
 Nike Footwear Catalog, 2006 Late Spring Footwear, p. 31, published Sep. 2005, NIKE, Inc., USA.
 Nike Footwear Catalog, 2006 Late Spring Footwear, p. 136, published Sep. 2005, NIKE, Inc., USA.
 Nike Footwear Catalog, 2006 Fall Footwear, p. 122, published Nov. 2005, NIKE, Inc., USA.
 Nike Footwear Catalog, 2006 Holiday Footwear, p. 138, published Mar. 2006, NIKE, Inc., USA.
 Nike Footwear Catalog, 2006 Holiday Footwear, p. 139, published Mar. 2006, NIKE, Inc., USA.
 Nike Footwear Catalog, 2006 Holiday Footwear, p. 27, published Mar. 2006, NIKE, Inc., USA.
 Nike Footwear Catalog, 2007 Spring Footwear, p. 220, published Jun. 2006, NIKE, Inc., USA.
 Nike Footwear Catalog, 2007 Spring Footwear, p. 237, published Jun. 2006, NIKE, Inc., USA.
 Nike Footwear Catalog, 2007 Fall Footwear, p. 229, published Nov. 2006, NIKE, Inc., USA.
 Nike Footwear Catalog, 2008 Spring Footwear, p. 38, published May 2007, NIKE, Inc., USA.
 Nike Footwear Catalog, 2009 Fall Sport Performance Footwear, p. 32, published Nov. 2008, NIKE, Inc., USA.
 Nike Footwear Catalog, 2011 Holiday Men's Performance Footwear, p. 31, published date unknown, but prior to the filing date of the present application, NIKE, Inc., USA.
 Nike Footwear Catalog, 2011 Holiday Men's Performance Footwear, p. 34, published date unknown, but prior to the filing date of the present application, NIKE, Inc., USA.
 Nike Footwear Catalog, 2013 Spring Lacrosse, p. 5, published May 2012, NIKE, Inc., USA.
 Nike Footwear Catalog, 2013 Spring Mens Sportswear Footwear Best, p. 34, published May 2012, NIKE, Inc., USA.
 Nike Footwear Catalog, 2013 Holiday City Specialty Footwear, p. 25, published Feb. 2013, NIKE, Inc., USA.
 Nike Footwear Catalog, 2014 Fall City Specialty Footwear Best Final, p. 27, published Nov. 1, 2013, NIKE, Inc., USA.
 Nike Footwear Catalog, 2014 Fall City Specialty Footwear Best Final, p. 33, published Nov. 1, 2013, NIKE, Inc., USA.
 Nike Footwear Catalog, 2014 Fall Sporting Goods Footwear Best, p. 183, published Nov. 1, 2013, NIKE, Inc., USA.
 Nike Footwear Catalog, 2016 Fall Athletic Specialty Footwear NA, p. 42, published May 2015, NIKE, Inc., USA.
 Born Flexible: Nike Free 5.0 for Young Athletes [online], [retrieved Aug. 10, 2017] retrieved from internet <URL: <<http://news.nike.com/news/born-flexible-nike-free-5-0-for-young-athletes/>>; 6 color sheets, Dated Apr. 8, 2014.
 Hints of Multi-Color in the New Nike Free RN Flyknit [online], [retrieved mm/dd/yy], retrieved from internet <URL: <<http://sneakernews.com/2016/05/04/hints-multi-color-new-nike-free-rn-flyknit/2/>>; 5 color sheets, Dated May 4, 2016.
 Shoe Stream: Nike Free RN Motion Flyknit 2017 [online], [retrieved Aug. 10, 2017] retrieved from internet <URL: <<http://news.nike.com/footwear/nike-free-rn-motion-flyknit-2017-black-white/>>; 1 color sheet, Dated May 3, 2017.

* cited by examiner

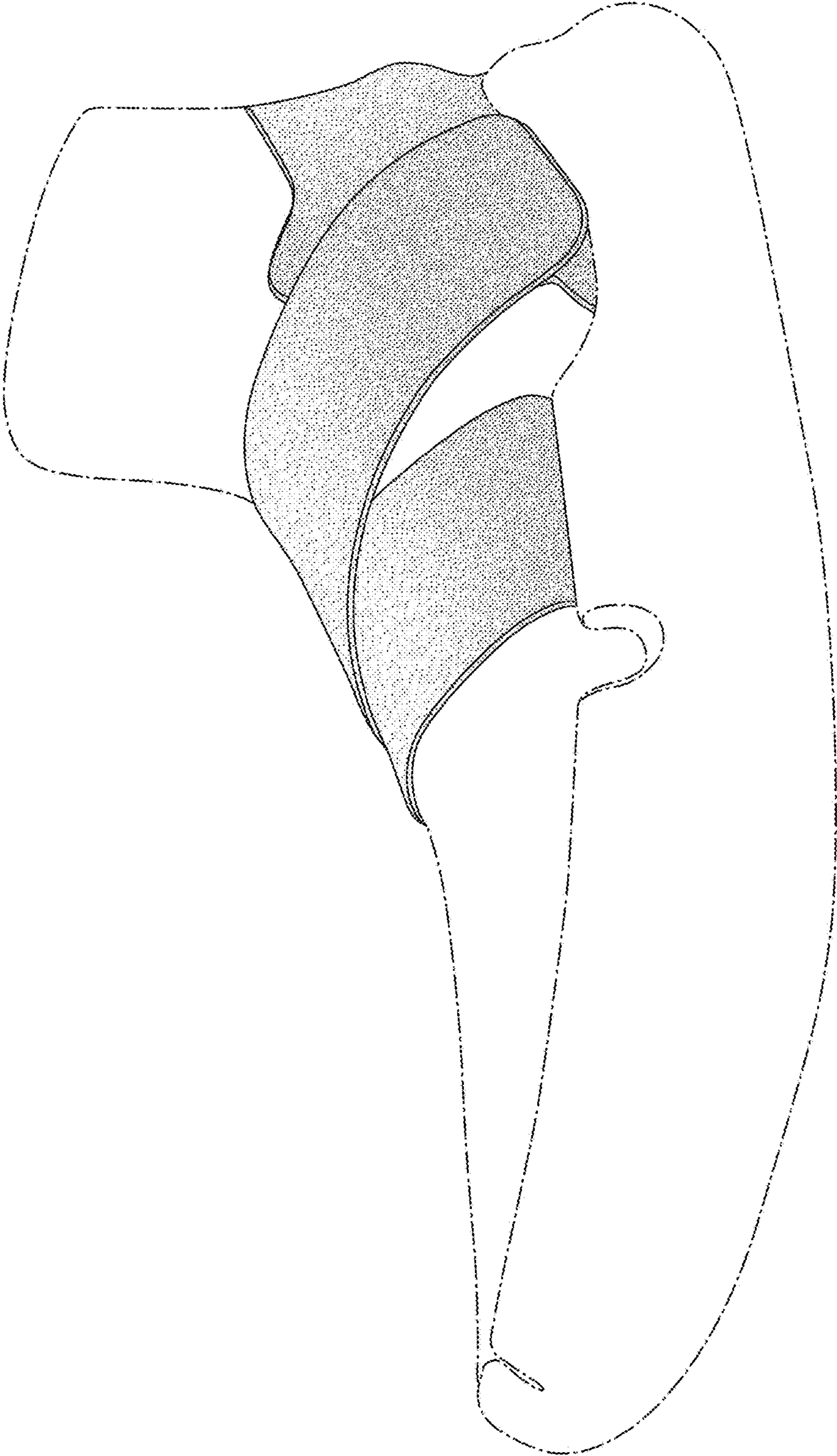


FIG. 1

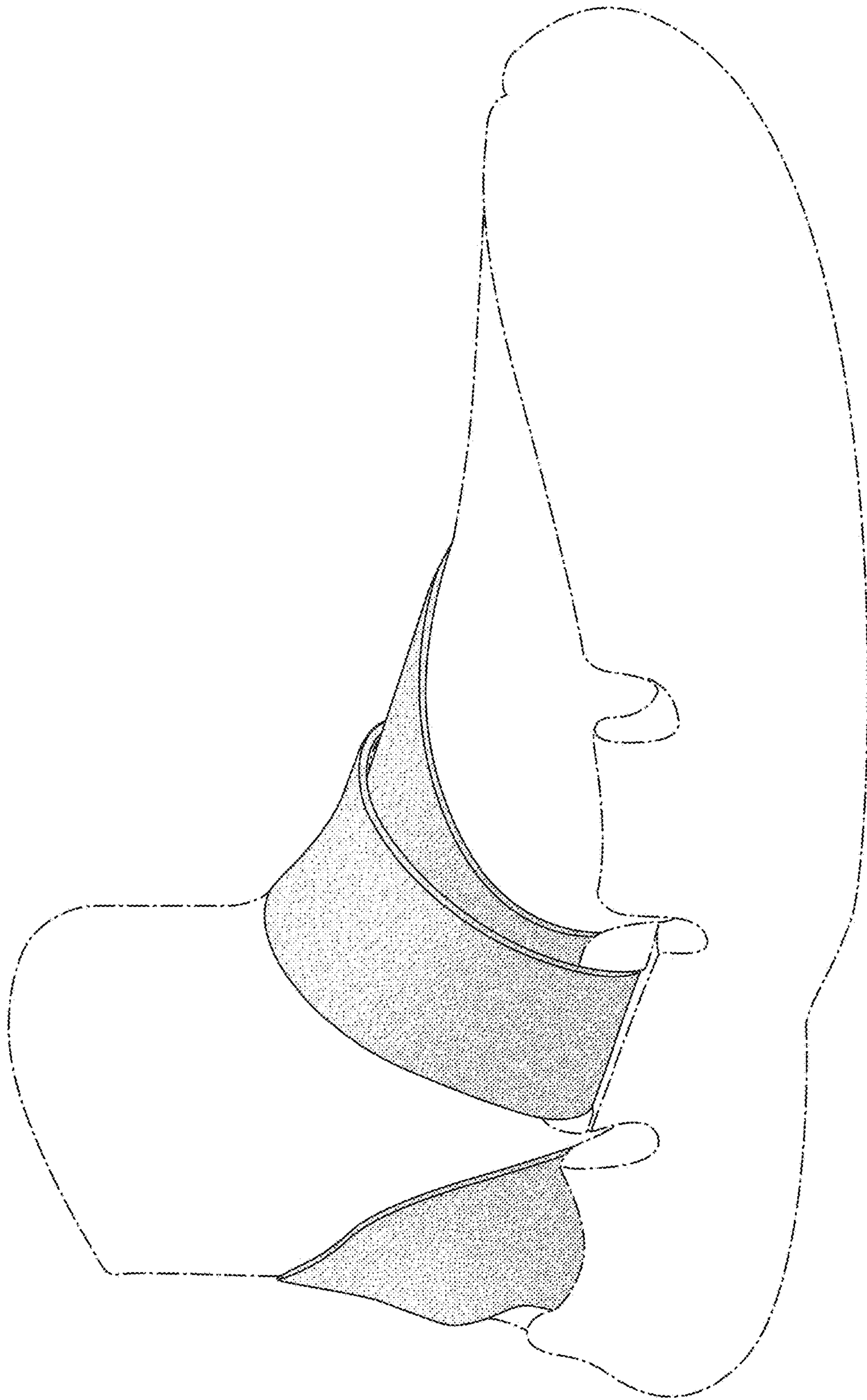


FIG. 2

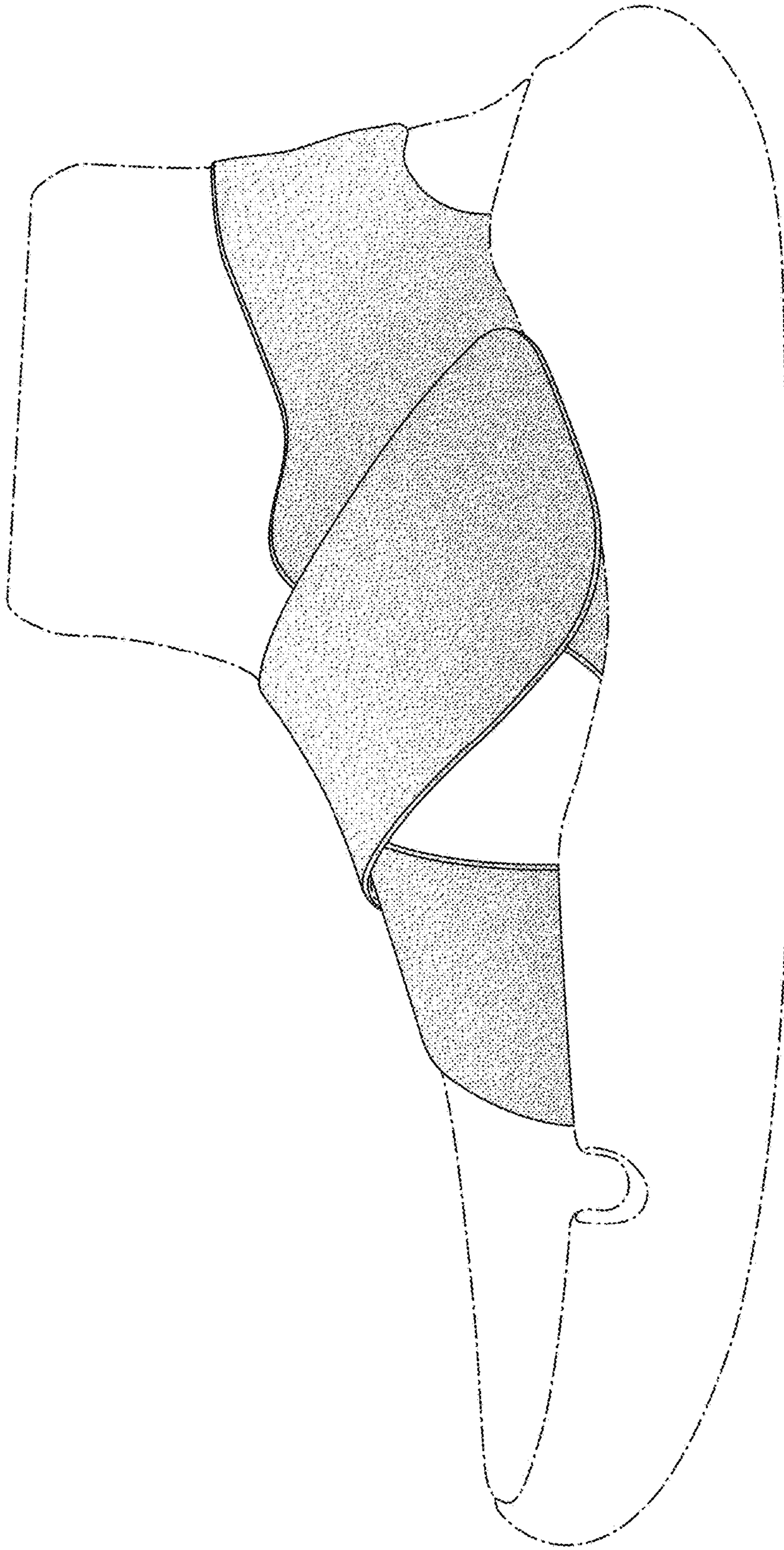


FIG. 3

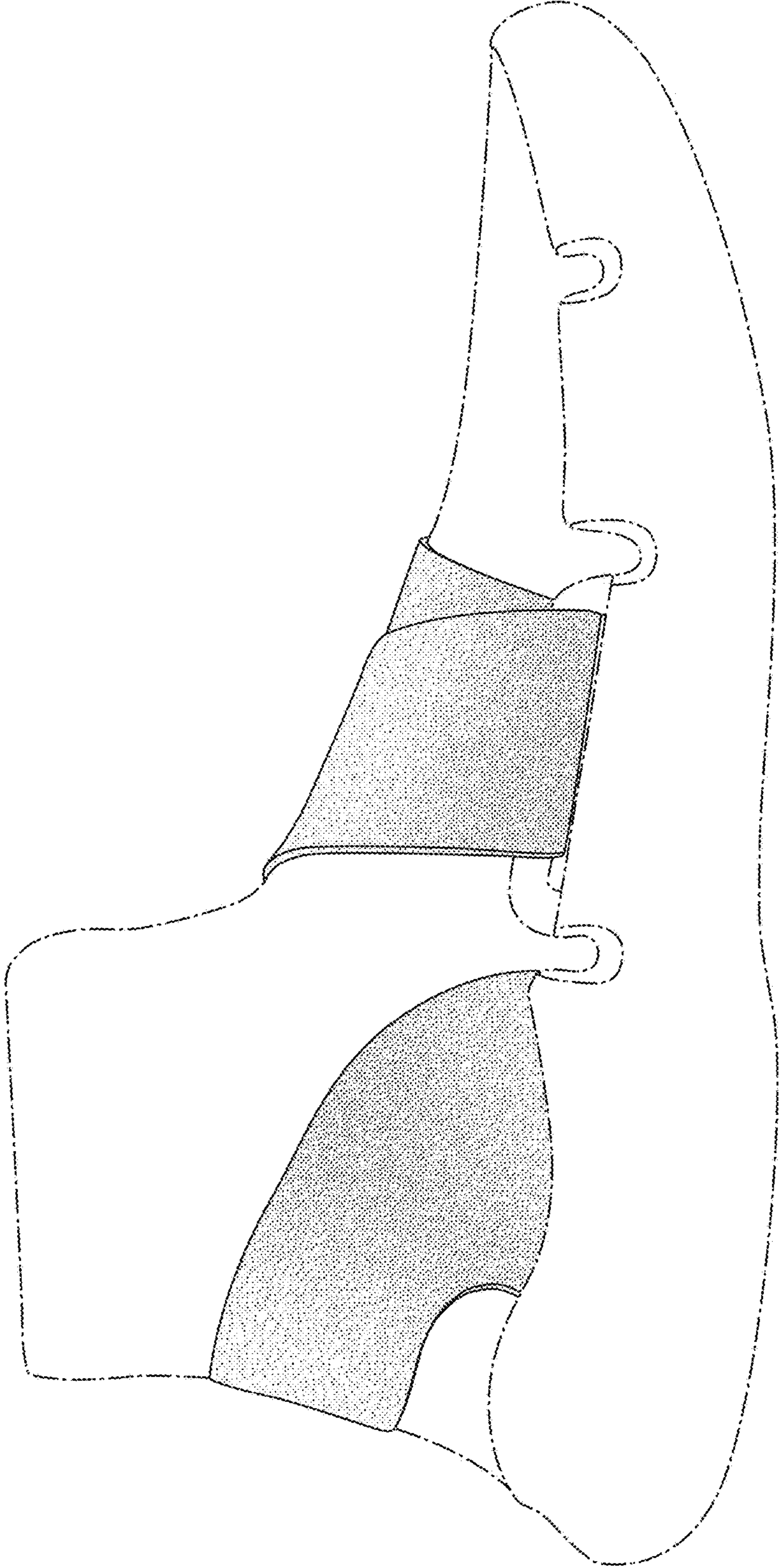


FIG. 4

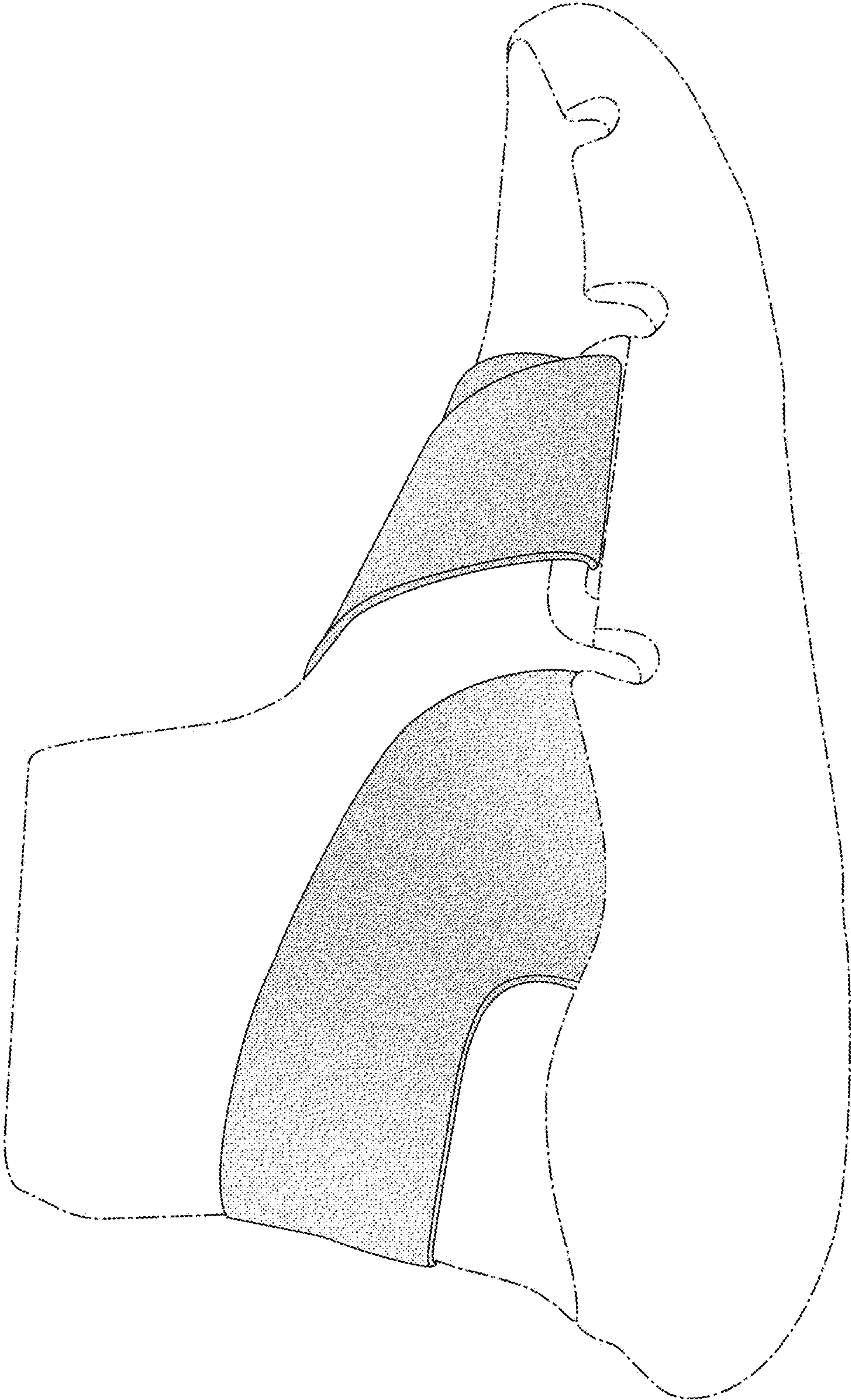


FIG. 5

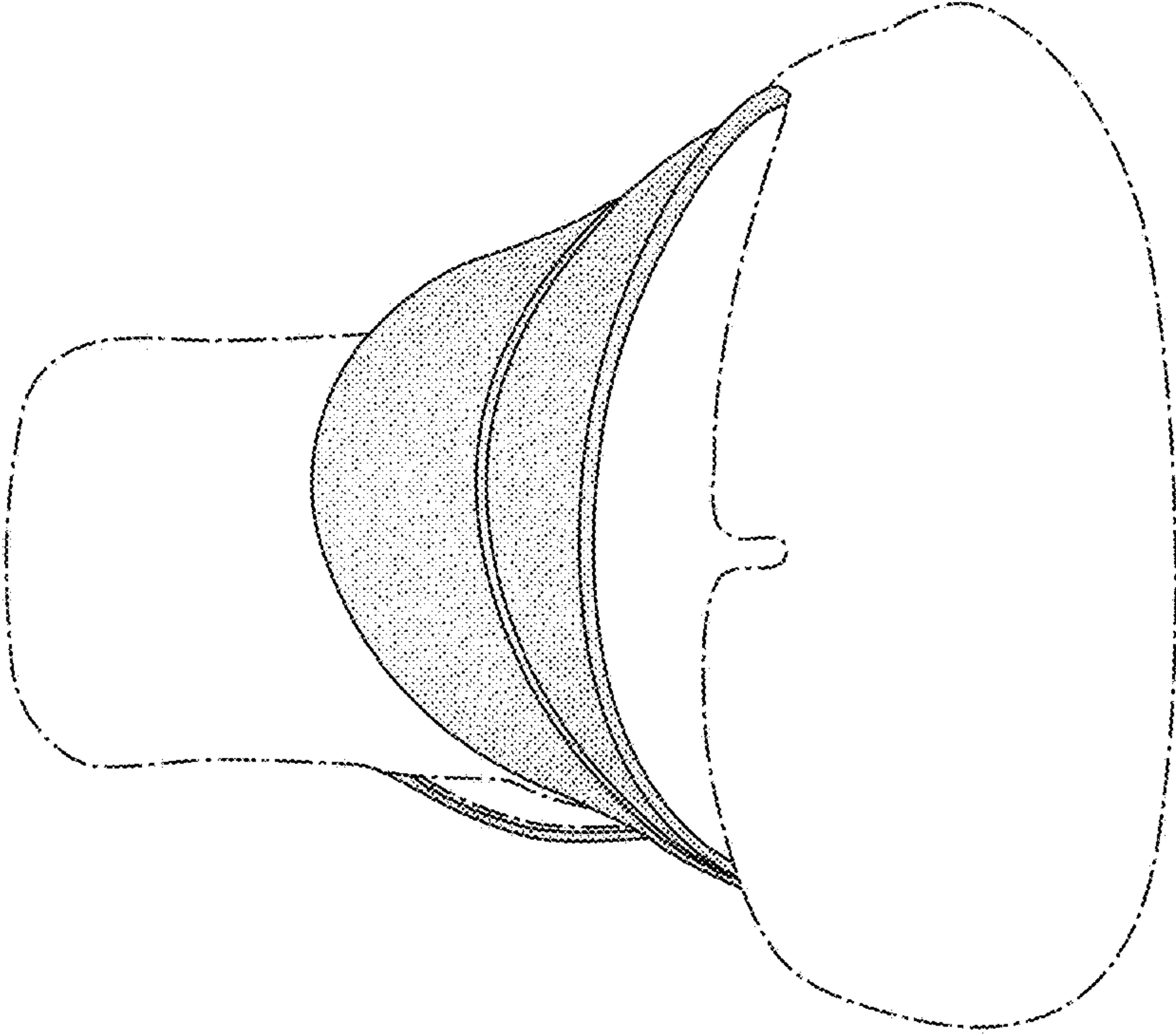


FIG. 6

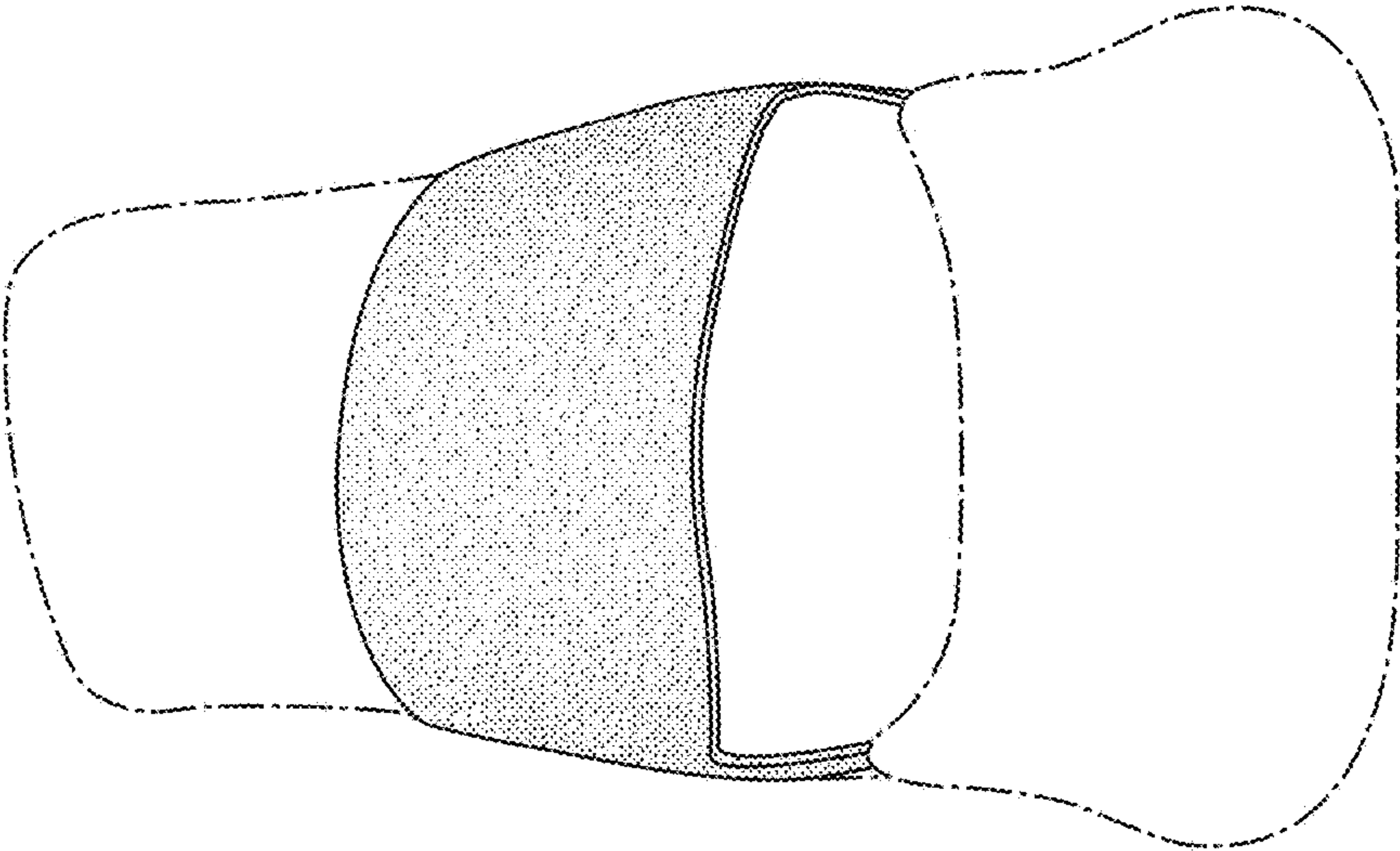


FIG. 7

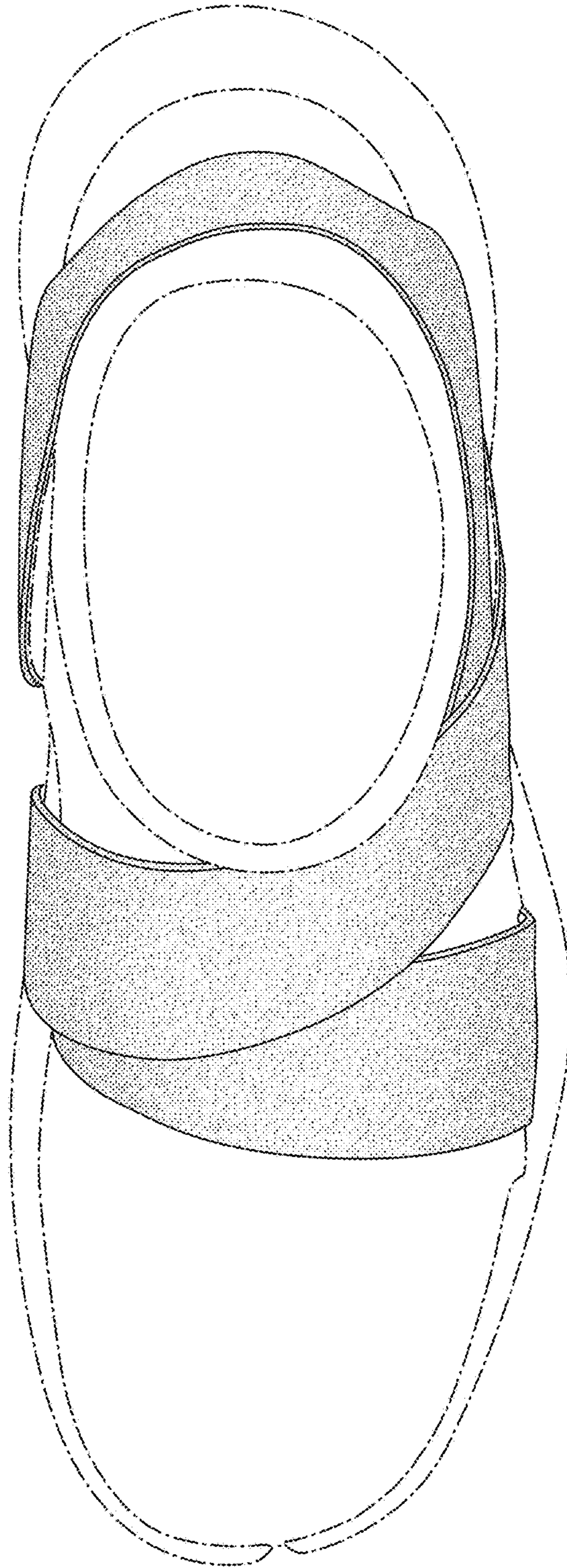


FIG. 8