



US00D813512S

(12) **United States Design Patent**  
**Badrian**

(10) **Patent No.:** **US D813,512 S**

(45) **Date of Patent:** **\*\* Mar. 27, 2018**

- (54) **SHOE HEEL TIP**
- (71) Applicant: **Amy Badrian**, Royal Palm Beach, FL (US)
- (72) Inventor: **Amy Badrian**, Royal Palm Beach, FL (US)
- (\*\*) Term: **15 Years**
- (21) Appl. No.: **29/598,163**
- (22) Filed: **Mar. 23, 2017**
- (51) **LOC (11) Cl.** ..... **02-04**
- (52) **U.S. Cl.**  
USPC ..... **D2/968**
- (58) **Field of Classification Search**  
USPC ..... D2/896, 909, 914, 915, 946, 947, 949, D2/951, 959, 964, 968  
CPC ..... A43B 13/28; A43B 13/30; A43B 13/32; A43B 13/37; A43B 21/00; A43B 21/02; A43B 21/025; A43B 21/03; A43B 21/04; A43B 21/06; A43B 21/08; A43B 21/18; A43B 21/20; A43B 21/24; A43B 21/26; A43B 21/265; A43B 21/28; A43B 21/32; A43B 21/36; A43B 21/38; A43B 21/42; A43B 21/52; A43B 21/54  
See application file for complete search history.

- 3,077,680 A \* 2/1963 Moustakidis ..... A43B 21/40 36/36 R
- 3,159,928 A \* 12/1964 Clark ..... A43B 21/39 36/36 R
- 3,229,390 A \* 1/1966 Laufbahn ..... A43B 21/39 36/42
- 3,262,221 A \* 7/1966 Antelo ..... A43B 21/39 36/34 R
- 4,224,749 A \* 9/1980 Diaz-Cano ..... A43B 21/26 36/34 R
- D612,141 S \* 3/2010 Moon ..... D2/962
- D657,947 S \* 4/2012 Recchi ..... D2/964
- D768,972 S \* 10/2016 Gadson ..... D2/946
- D794,921 S \* 8/2017 Walters ..... D2/915

\* cited by examiner

*Primary Examiner* — Elizabeth J Oswecki  
(74) *Attorney, Agent, or Firm* — Dunlap Bennett & Ludwig PLLC

(57) **CLAIM**

The ornamental design for a shoe heel tip, as shown and described.

**DESCRIPTION**

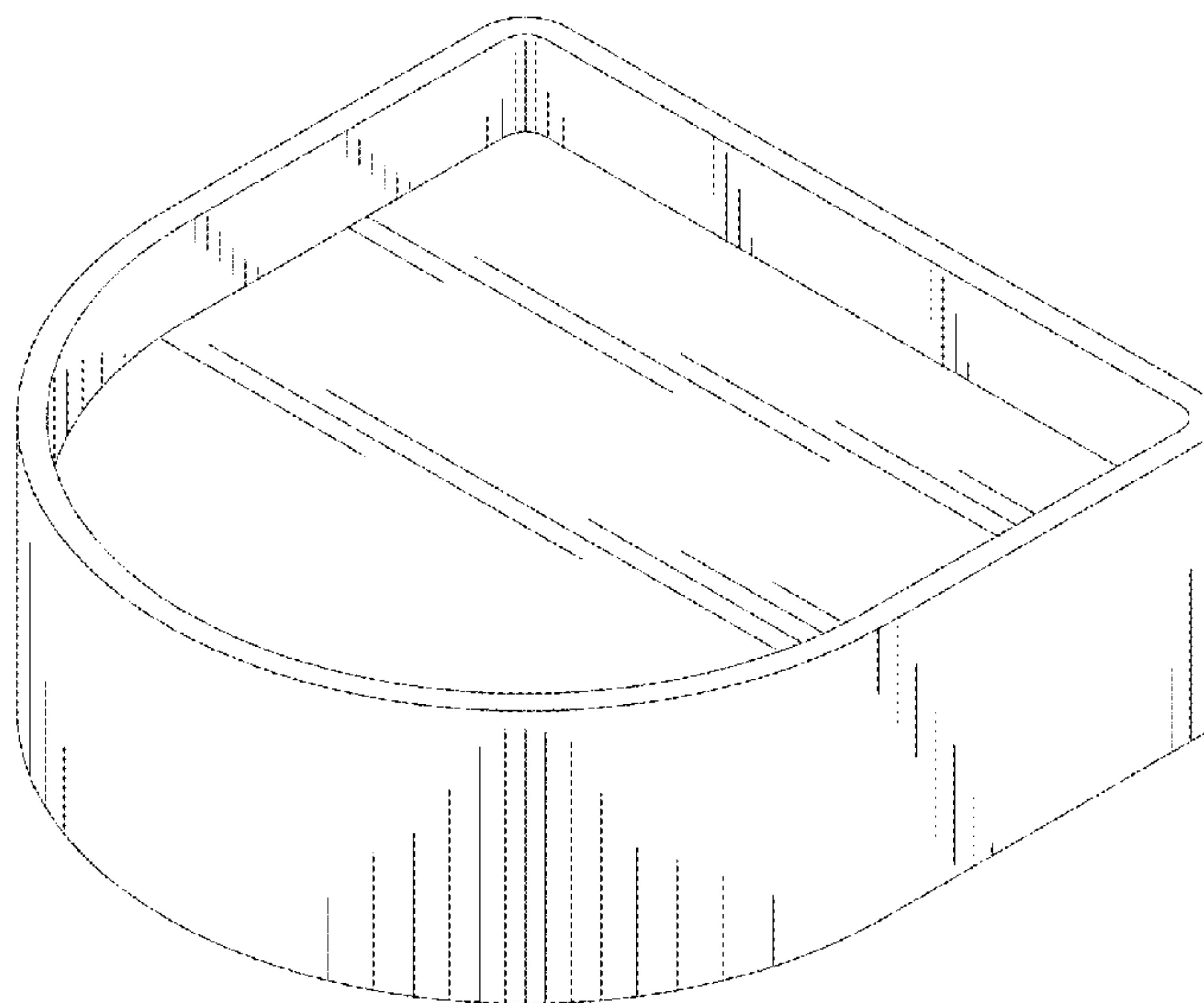
FIG. 1 is a top, front perspective view of a shoe heel tip, showing my new design;  
FIG. 2 is a front elevation view thereof;  
FIG. 3 is a rear elevation view thereof;  
FIG. 4 is a right side elevation thereof, the left side elevation view being a mirror image thereof;  
FIG. 5 is a top plan view thereof;  
FIG. 6 is a bottom plan view thereof; and,  
FIG. 7 is a cross sectional view taken along line 7-7 in FIG. 6.  
The broken lines shown in the drawings depict portions of the shoe heel tip that form no part of the claimed design.

**1 Claim, 4 Drawing Sheets**

(56) **References Cited**

U.S. PATENT DOCUMENTS

- D5,997 S \* 7/1872 Saunders ..... 36/73
- D32,765 S \* 5/1900 Haigh ..... D2/968
- 1,263,264 A \* 4/1918 MacKenna ..... A43B 21/37 36/36 R
- 2,875,534 A \* 3/1959 Grossman ..... A43B 3/166 36/72 B
- 2,946,139 A \* 7/1960 Slade ..... A43B 3/16 36/7.1 A



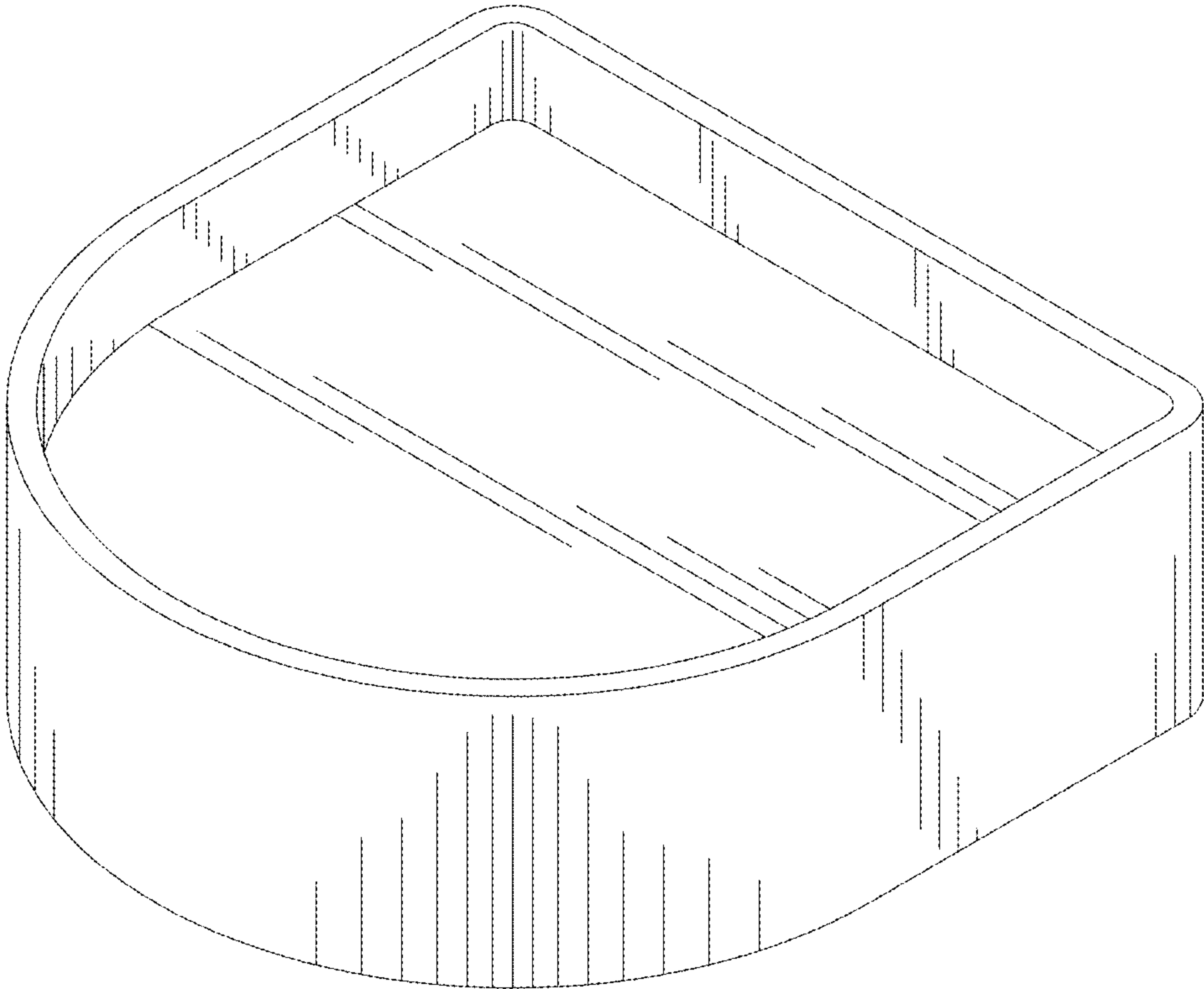


FIG.1

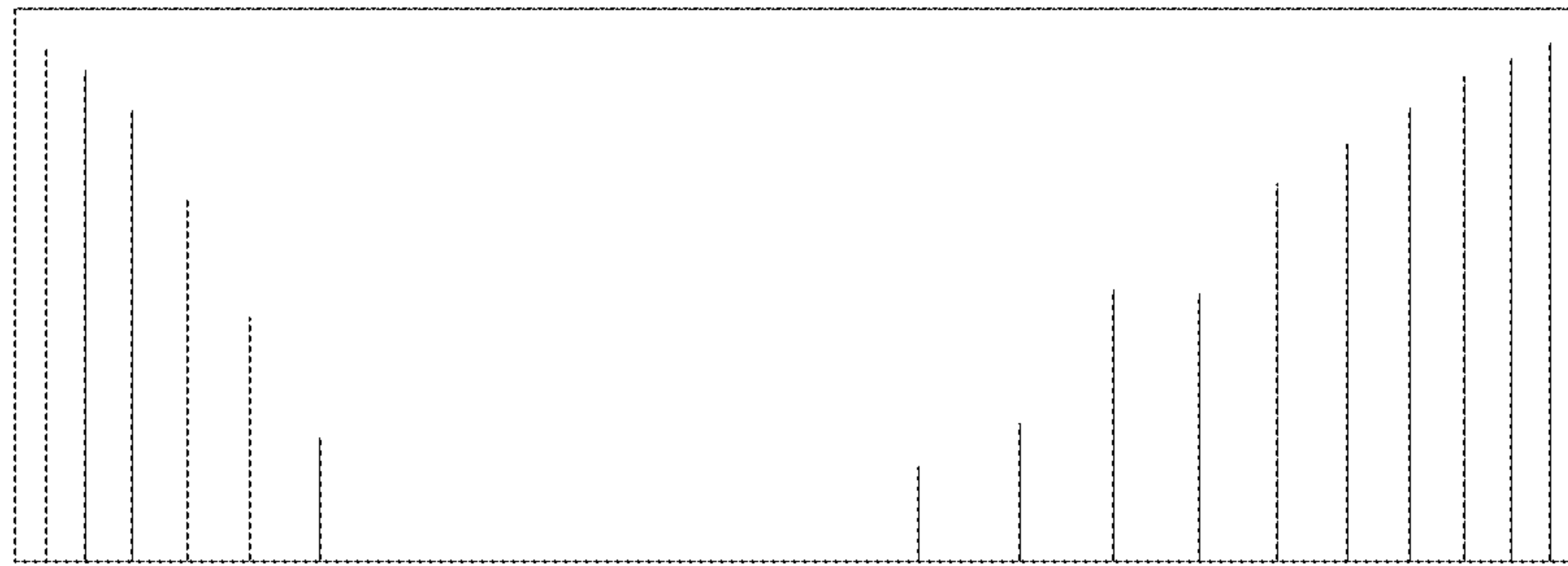


FIG. 2

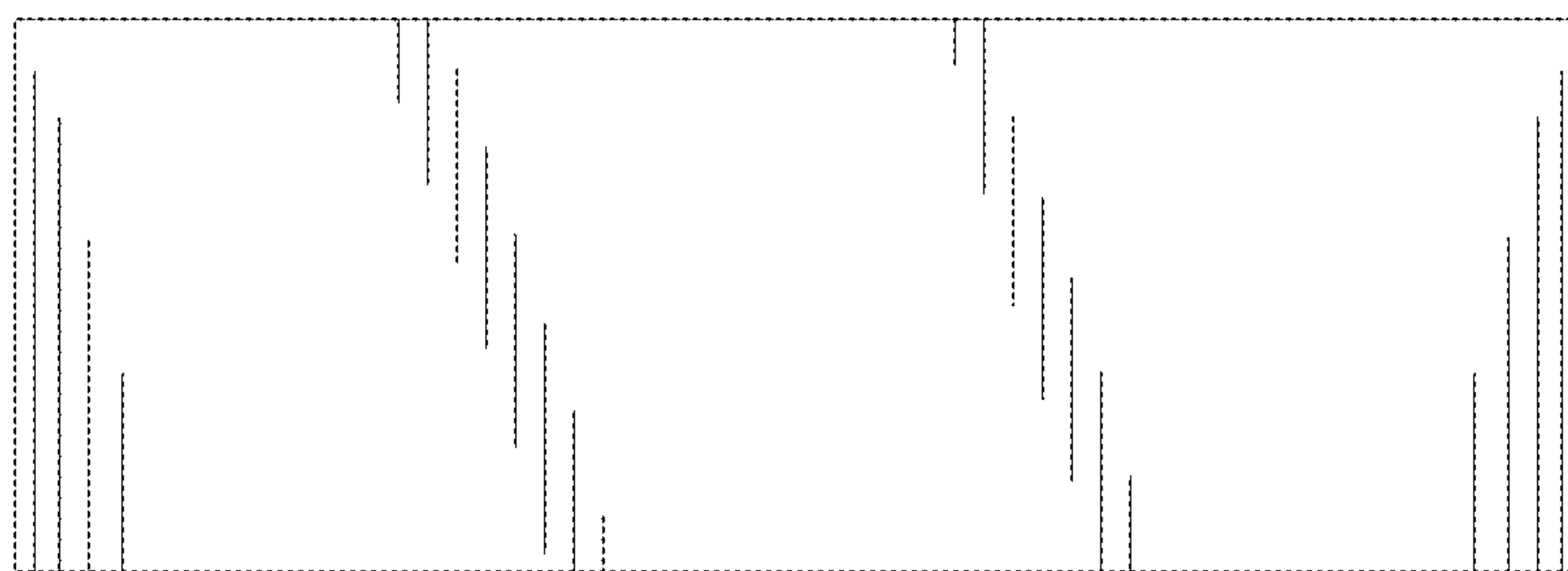


FIG. 3

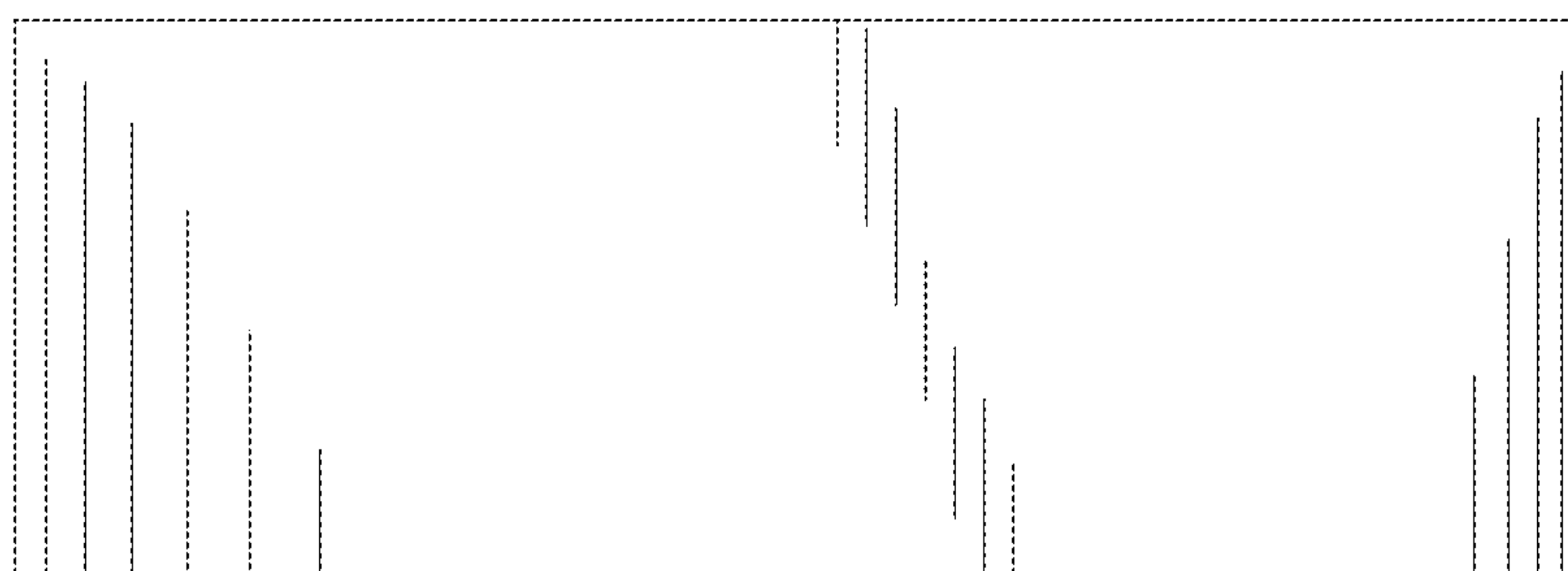


FIG. 4

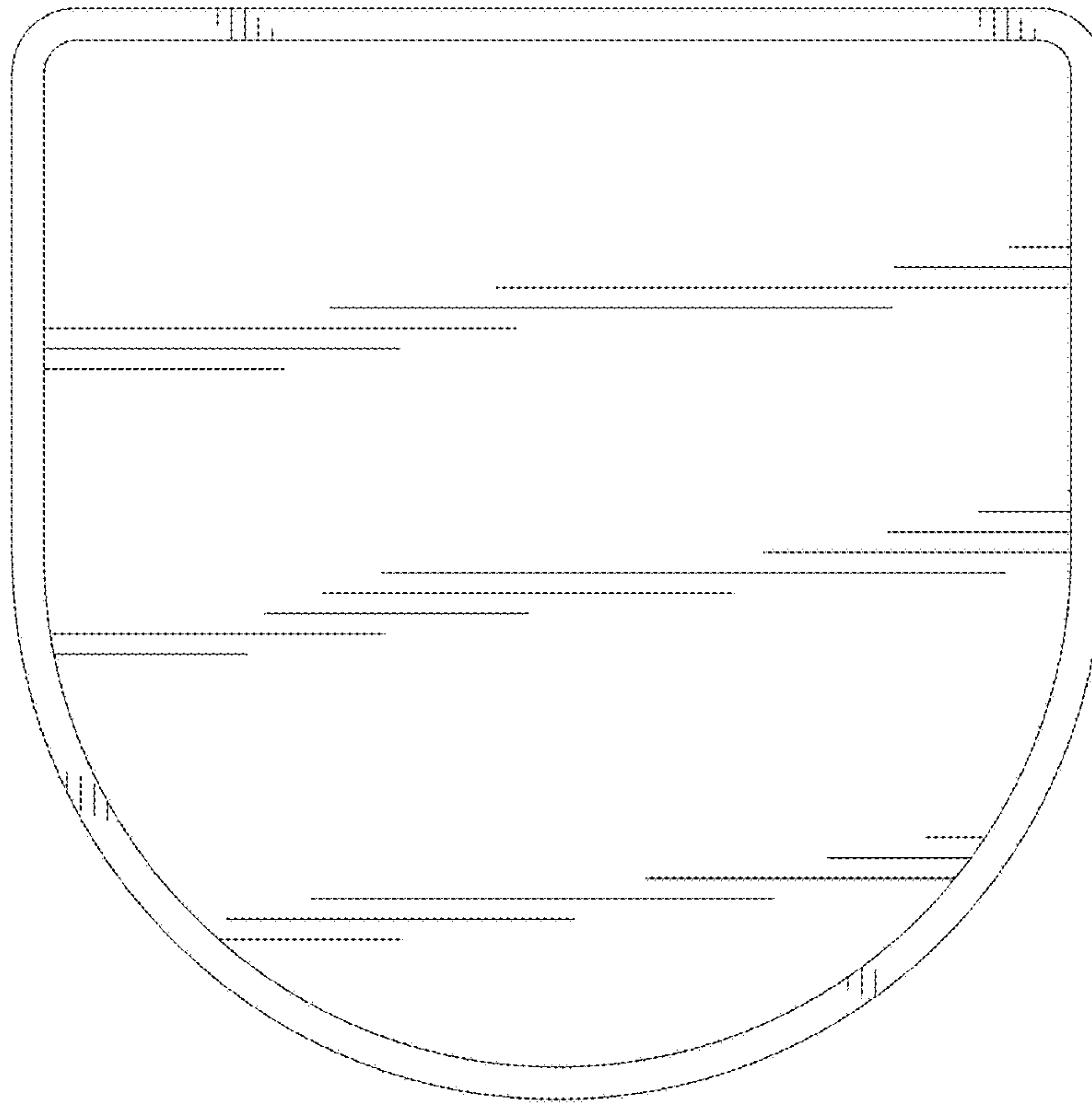


FIG. 5

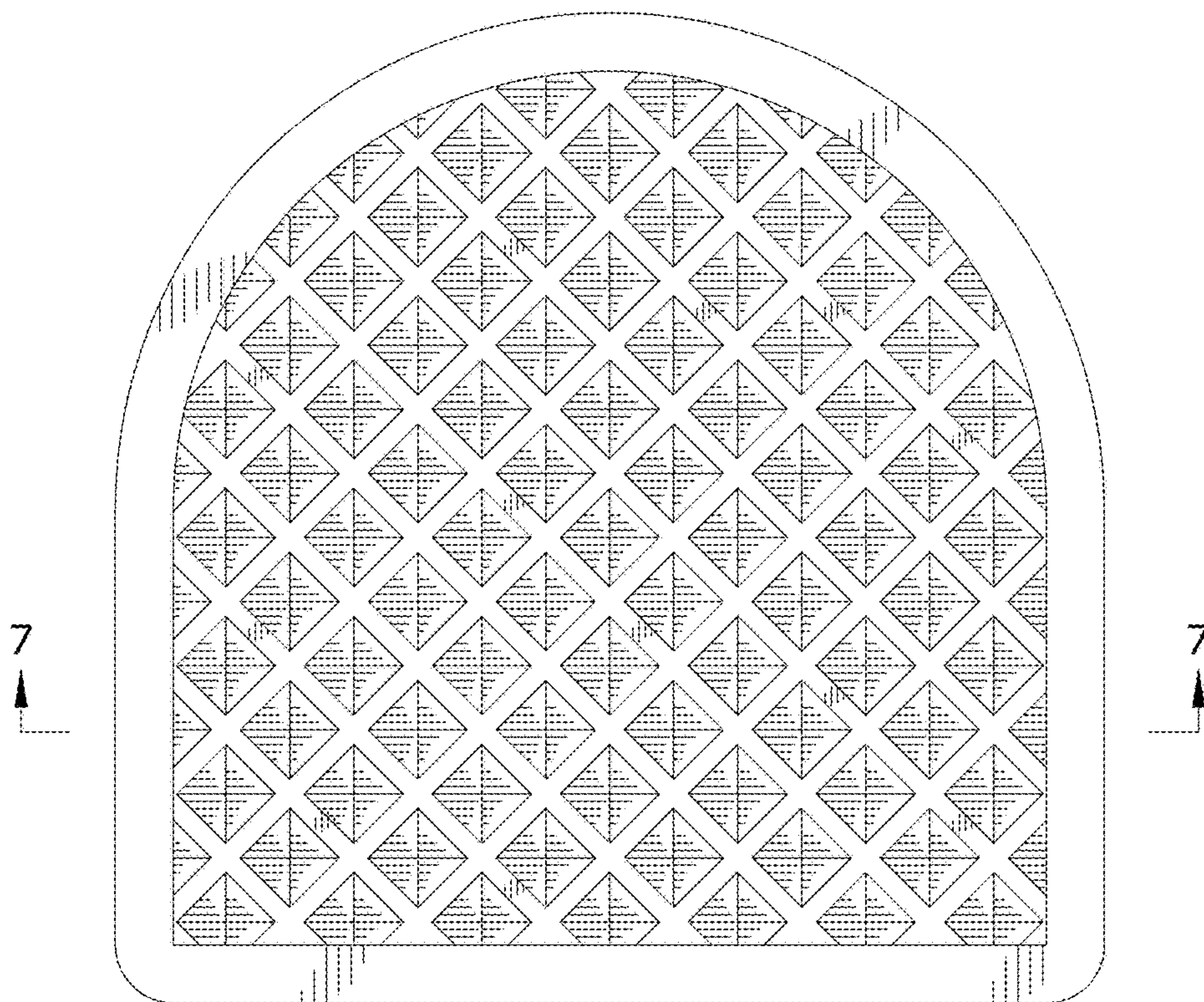


FIG. 6

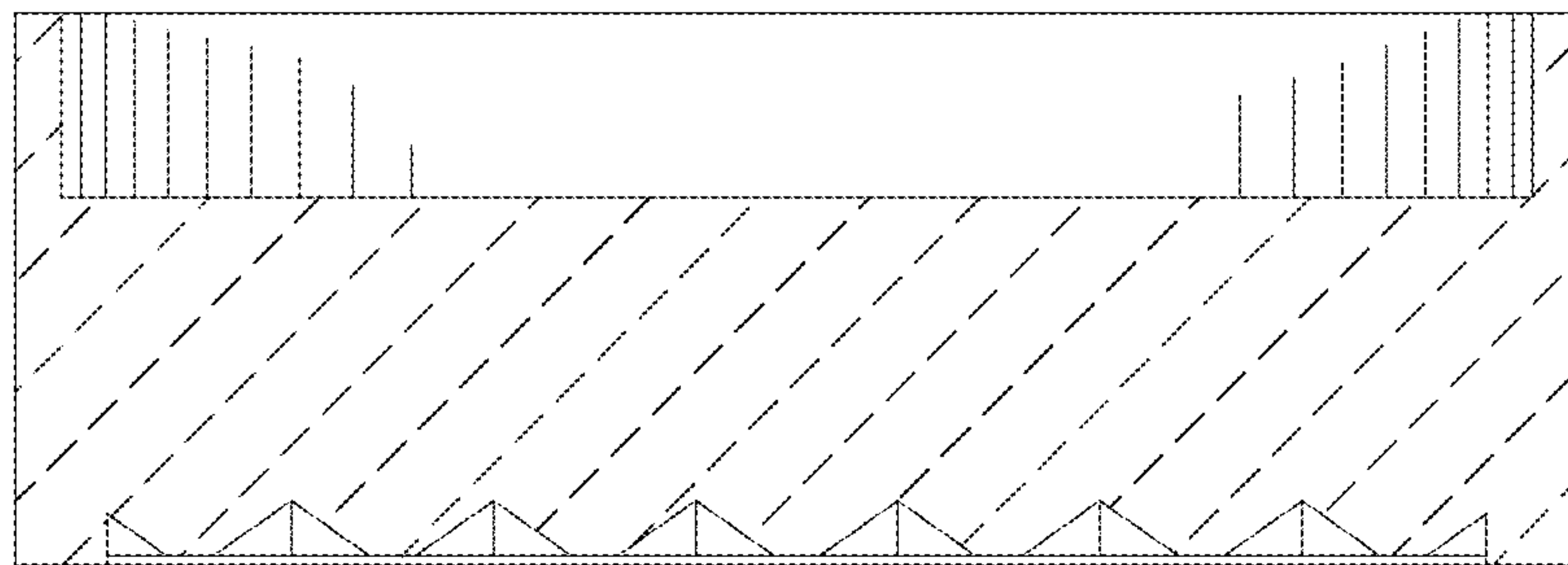


FIG.7