



US00D813498S

(12) **United States Design Patent**
Lavin, Jr.

(10) **Patent No.:** **US D813,498 S**

(45) **Date of Patent:** **** *Mar. 27, 2018**

(54) **WRIST DEVICE FOR A HEATING KIT**

3,425,487 A * 2/1969 Tucker A41D 13/005
126/204

(71) Applicant: **My Core Control Development, LLC,**
Houston, TX (US)

3,632,966 A * 1/1972 Arron H05B 3/342
2/158

(72) Inventor: **Edward F. Lavin, Jr.,** Houston, TX
(US)

4,515,872 A * 5/1985 Okano H01M 2/1055
429/123

(Continued)

(73) Assignee: **My Core Control Development, LLC,**
Houston, TX (US)

OTHER PUBLICATIONS

(*) Notice: This patent is subject to a terminal disclaimer.

Martin, Joe. "Hot Houston startup lands former Barclay's head"
Posted: Feb. 6, 2015. Houston business journal. <http://www.bizjournals.com/houston/blog/2015/02/hot-houston-startup-lands-former-barcclays-head.html>.*

(**) Term: **14 Years**

(Continued)

(21) Appl. No.: **29/515,112**

Primary Examiner — Susan Bennett Hattan

Assistant Examiner — Suzanne E Tisdell

(22) Filed: **Jan. 20, 2015**

(74) *Attorney, Agent, or Firm* — Winstead PC

Related U.S. Application Data

(63) Continuation of application No. 29/515,053, filed on
Jan. 20, 2015, now Pat. No. Des. 772,537.

(51) **LOC (11) Cl.** **02-02**

(52) **U.S. Cl.**

USPC **D2/853**; D24/187

(58) **Field of Classification Search**

USPC D2/614, 623, 823, 824, 828, 840, 853,
D2/866, 891, 999; D11/184, 228;
D13/103, 106, 118, 119, 121, 171, 199;
D24/167, 168, 187; 2/94, 97, 162, 272,
2/458, 910; 136/225; 219/211

CPC A41D 13/00; A41D 13/005; A41D 13/08;
A41D 13/12; A41D 19/00; A41D 19/015;
A41D 27/02; A41D 27/20; A62B 17/00

See application file for complete search history.

(56) **References Cited**

U.S. PATENT DOCUMENTS

1,416,653 A * 5/1922 Lenneberg A41D 19/0027
2/160

3,316,732 A * 5/1967 Burton A41D 13/005
165/64

(57) **CLAIM**

I claim the ornamental design for a wrist device for a heating kit, as shown and described.

DESCRIPTION

FIG. 1 shows a top view of a wrist device for a heating kit;
FIG. 2 shows a bottom view of the wrist device for a heating kit;

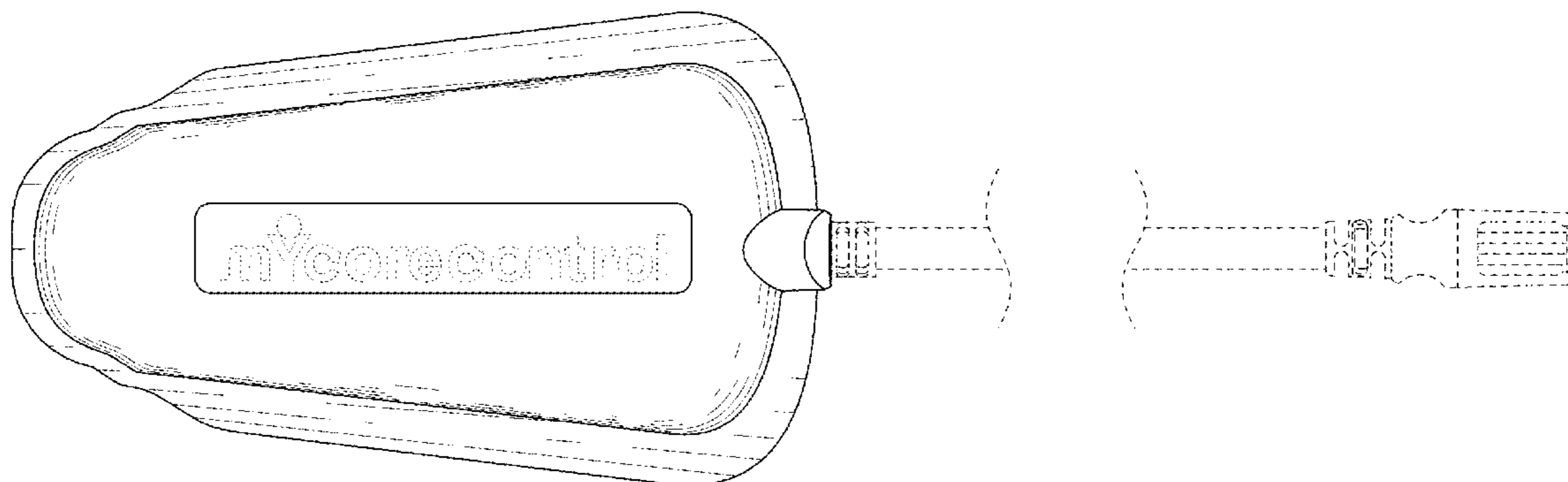
FIG. 3 shows a left side view the wrist device for a heating kit;

FIG. 4 shows a right side view the wrist device for a heating kit;

FIG. 5 shows a front view the wrist device for a heating kit;
and,

FIG. 6 shows a rear view the wrist device for a heating kit.
The dashed lines are for the purpose of illustrating portions of the wrist device for a heating kit and form no part of the claimed design.

1 Claim, 3 Drawing Sheets



(56)

References Cited

U.S. PATENT DOCUMENTS

4,793,005 A * 12/1988 Hetzel, Jr. A41D 19/01547
2/161.1
D302,711 S * 8/1989 Burlison D16/309
D307,579 S * 5/1990 Layne D13/137.3
D340,027 S * 10/1993 Tortola D13/103
D411,165 S * 6/1999 Deslyper D13/103
D457,132 S * 5/2002 Petherbridge D13/103
D457,634 S * 5/2002 Rouns D24/168
D490,370 S * 5/2004 Picardo D13/103
D556,679 S * 12/2007 Weinstein D13/103
7,347,578 B1 * 3/2008 Nourse A41D 19/0157
2/159
D581,371 S * 11/2008 Richmond D13/168
D597,211 S * 7/2009 Ewing D24/187
D629,524 S * 12/2010 Zeller D24/158
D639,437 S * 6/2011 Bishay D24/167
D675,738 S * 2/2013 Baumer D24/168
D682,197 S * 5/2013 Leung D13/103
D686,150 S * 7/2013 Lee D13/103
D697,865 S * 1/2014 Saito D13/103
D718,867 S * 12/2014 Schroderus D24/167
D733,078 S * 6/2015 Wu D13/171
D737,979 S * 9/2015 Selvitelli D24/167
D742,823 S * 11/2015 Nitz D13/103
D745,167 S * 12/2015 Canas D10/78
D745,455 S * 12/2015 Nook D13/103
D746,770 S * 1/2016 Nook D13/103
D746,993 S * 1/2016 Lewis, Jr. D24/187

2002/0153126 A1* 10/2002 Clemente A41D 13/005
165/46
2007/0085340 A1* 4/2007 Gammons F16L 37/0841
285/308
2009/0289046 A1* 11/2009 Richmond A41D 13/0051
219/211
2012/0117997 A1* 5/2012 Coleman A41D 13/0056
62/259.3
2012/0144554 A1* 6/2012 Thellmann A63B 21/4033
2/161.1
2014/0021189 A1* 1/2014 Yue A41D 13/0051
219/211
2014/0263264 A1* 9/2014 Weir A41D 13/0051
219/211
2014/0353300 A1* 12/2014 Swiatek H05B 1/0272
219/211
2015/0122791 A1* 5/2015 Hung H05B 1/0272
219/211
2015/0136753 A1* 5/2015 Cronn H05B 3/00
219/211

OTHER PUBLICATIONS

“My Core Control Men’s Heated Hunting Jacket” First Posted: Jun. 2, 2015. Rural King. <http://www.ruralking.com/my-core-control-heated-hunting-jacket-570-j.html>.
*
“My core control heated jackets” Published Dec. 29, 2014. Youtube. <https://www.youtube.com/watch?v=h3q6xaX7jmk>.
*

* cited by examiner

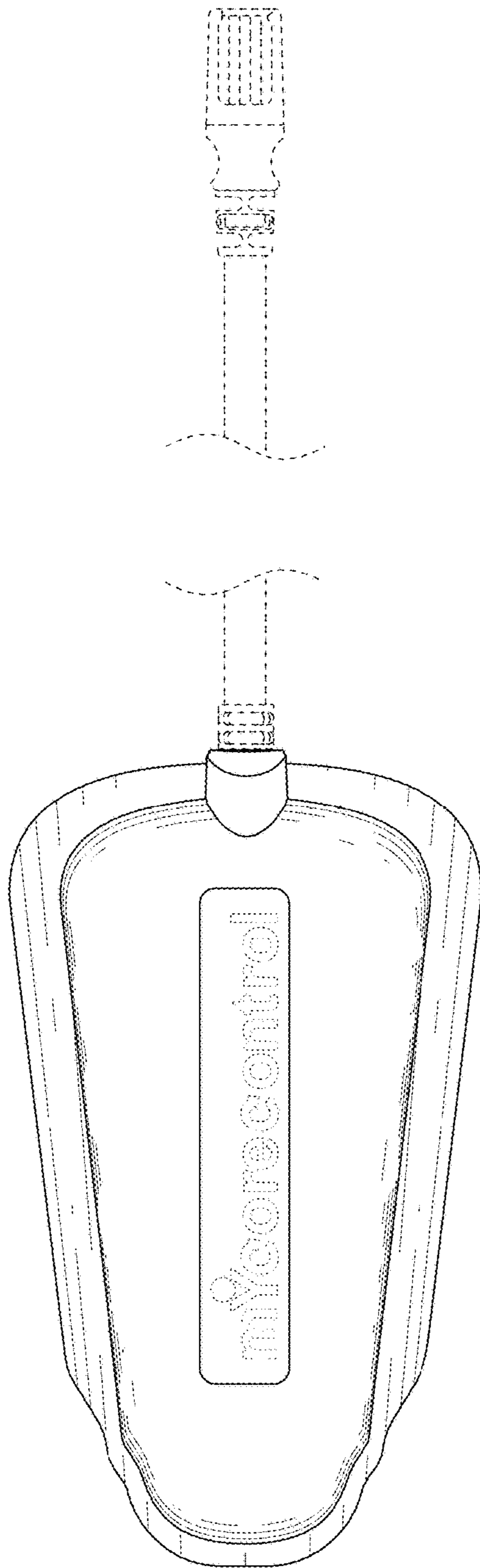


FIG. 1

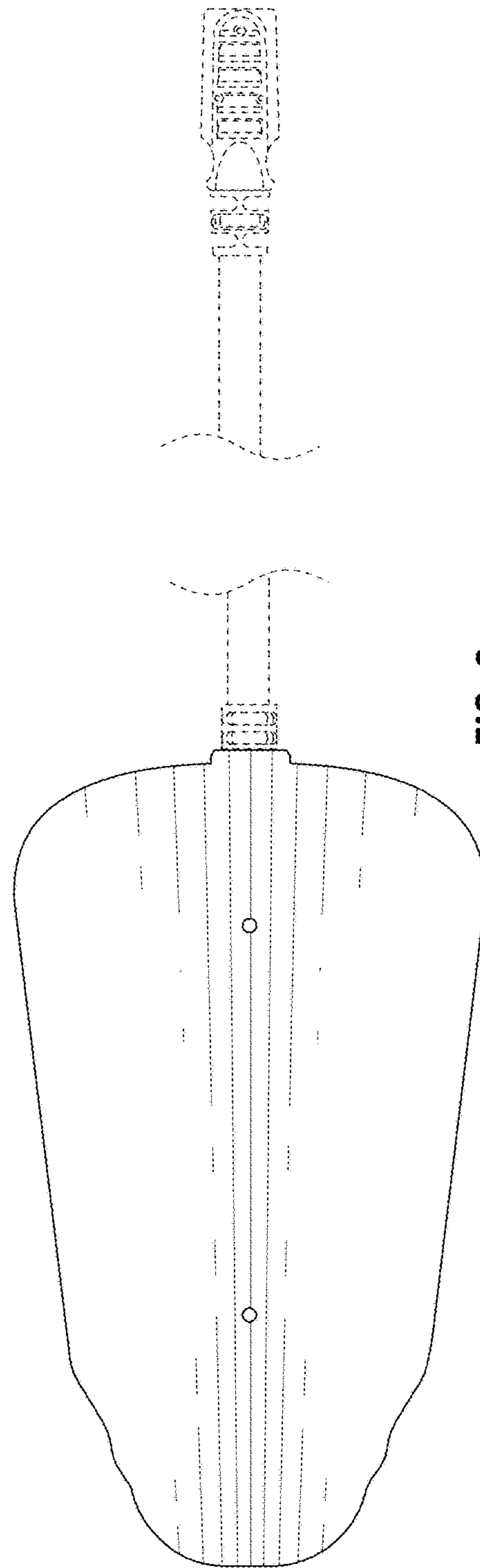


FIG. 2

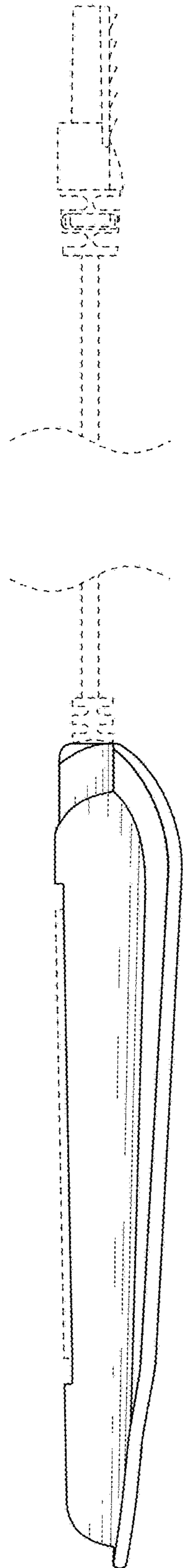


FIG. 3

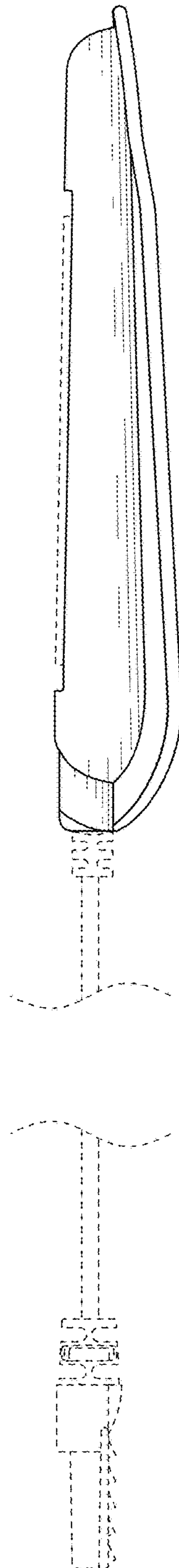


FIG. 4

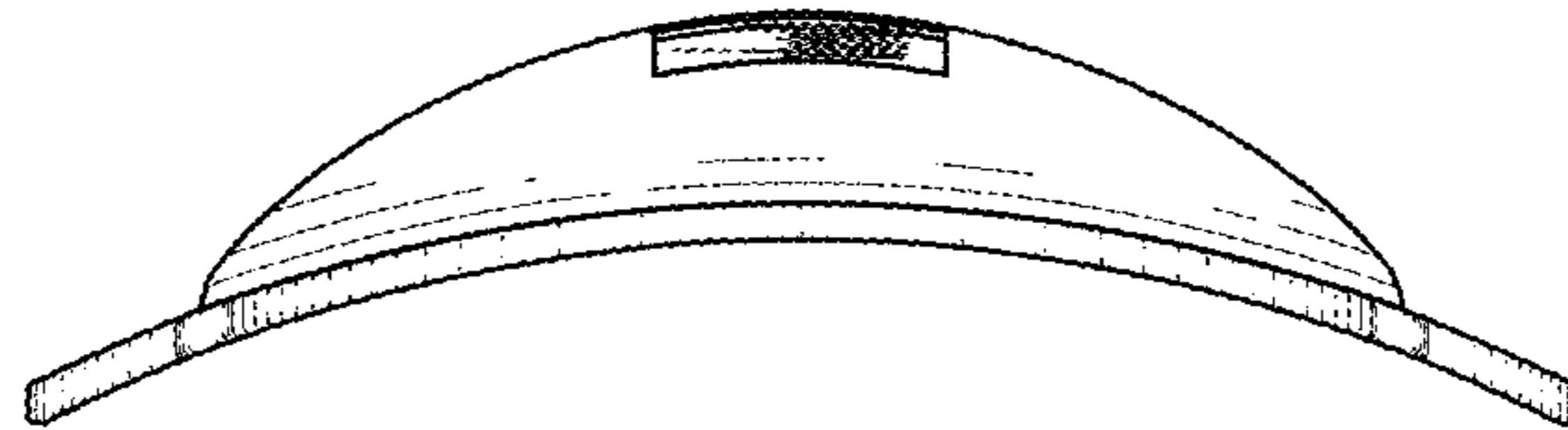


FIG. 5

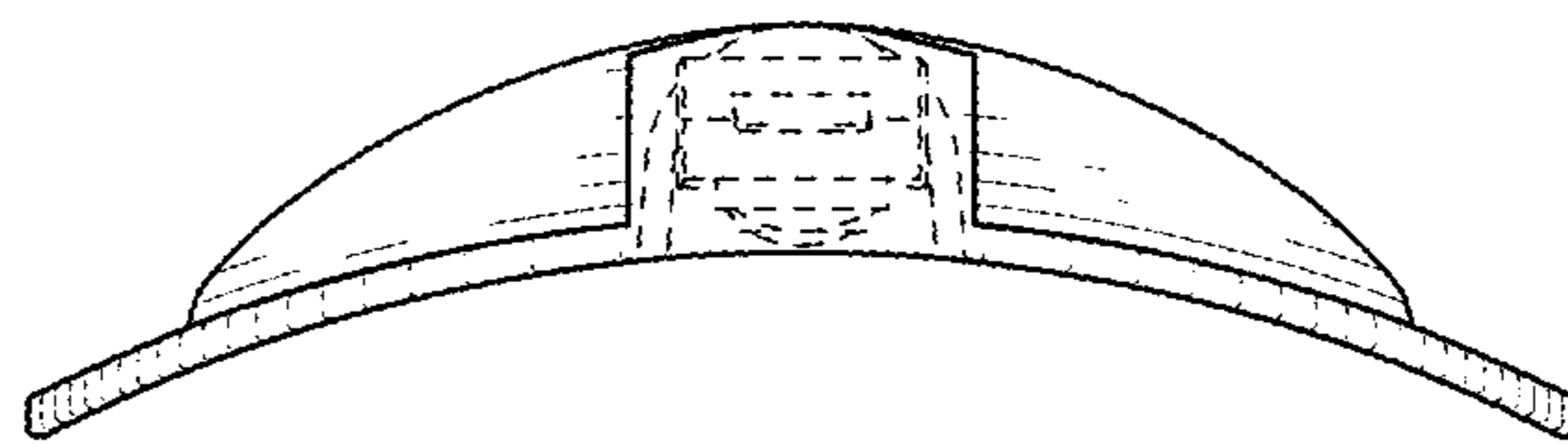


FIG. 6