



US00D813493S

(12) **United States Design Patent** (10) **Patent No.:** **US D813,493 S**  
**Linsell et al.** (45) **Date of Patent:** **\*\* Mar. 27, 2018**

(54) **CLOTHING BELT**

FOREIGN PATENT DOCUMENTS

(71) Applicant: **Daniel William Linsell**, The Junction (AU)

AU 352581 \* 11/2013

(72) Inventors: **Daniel William Linsell**, Newcastle (AU); **Kristian Aus**, Sydney (AU)

OTHER PUBLICATIONS

(73) Assignee: **Daniel William Linsell**, Newcastle, NSW (AU)

“Clicker Belt Press Release,” press release posted on-line to ClickerBelt on Oct. 2, 2014. Retrieved from the Internet on Jun. 16, 2015. URL: <https://www.clickerbelt.com/ck-media>. (1 page).\*

(\*\*) Term: **14 Years**

\* cited by examiner

(21) Appl. No.: **29/481,150**

*Primary Examiner* — Karen E Eldridge Powers

*Assistant Examiner* — Jasmine Mlinarcik

(22) Filed: **Feb. 1, 2014**

(51) **LOC (11) Cl.** ..... **02-07**

(52) **U.S. Cl.**

USPC ..... **D2/637**

(58) **Field of Classification Search**

USPC ..... D2/624, 625, 627, 628, 629, 631, 633, D2/634, 637, 638, 639; D8/333; D11/200, 208; D29/101.3, 101.5

CPC .... A41F 9/00; A41F 9/002; A41F 9/02; A41F 9/025; A47H 19/00; F16B 21/183

See application file for complete search history.

(57) **CLAIM**

The ornamental design for a clothing belt, as shown and described.

**DESCRIPTION**

FIG. 1 is a front isometric view of a clothing belt showing my new design;

FIG. 2 is a rear isometric view thereof;

FIG. 3 is a left side elevational view thereof;

FIG. 4 is a front side elevational view thereof;

FIG. 5 is an enlarged front isometric view of the clothing belt taken from lines 5-5 in FIG. 1;

FIG. 6 is an enlarged front isometric view of the clothing belt taken from lines 6-6 in FIG. 1;

FIG. 7 is an enlarged rear isometric view of the clothing belt taken from lines 7-7 in FIG. 2;

FIG. 8 is an enlarged rear isometric view of the clothing belt taken from lines 8-8 in FIG. 2;

FIG. 9 is an enlarged left side elevational view of the clothing belt taken from lines 9-9 in FIG. 3; and,

FIG. 10 is an enlarged left side elevational view of the clothing belt taken from lines 10-10 in FIG. 3.

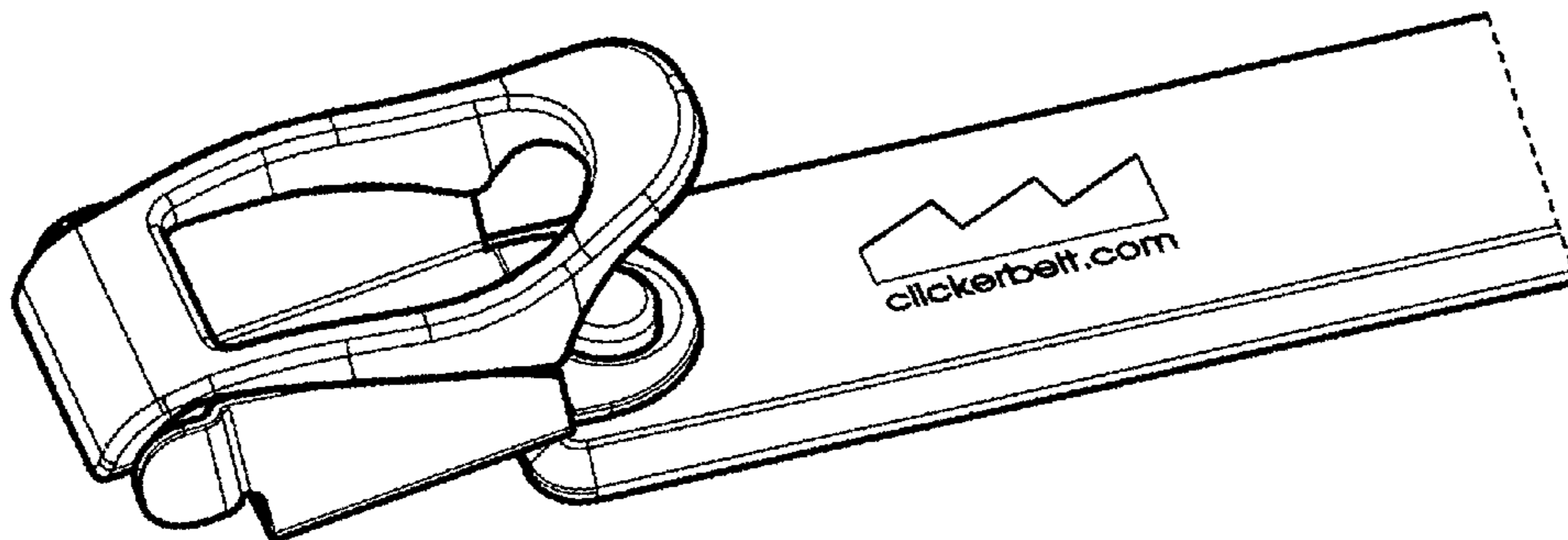
The broken lines shown in the drawings illustrate the bounds of the enlargements, and form no part of the claimed design.

(56) **References Cited**

U.S. PATENT DOCUMENTS

653,609	A *	7/1900	Batt	.....	224/682
D193,969	S *	11/1962	Lawson	.....	D2/637
3,063,058	A *	11/1962	Vollet	.....	2/338
D270,652	S *	9/1983	Winston	.....	D21/683
6,067,662	A *	5/2000	Sim	.....	2/339
6,219,889	B1 *	4/2001	Lovato et al.	.....	24/587.1
D469,383	S *	1/2003	Young	.....	D11/200
D470,793	S *	2/2003	Horn et al.	.....	D11/200
6,715,449	B1 *	4/2004	Jordan	.....	119/863
D555,328	S *	11/2007	Gilbert-Biro et al.	.....	D2/624
8,146,211	B2 *	4/2012	Shirai et al.	.....	24/16 PB
D661,460	S *	6/2012	Roy	.....	D2/627
8,627,551	B2 *	1/2014	Tseng	.....	24/68 SK
D725,458	S *	3/2015	Plato	.....	D8/333
D728,196	S *	5/2015	Stevens	.....	D2/637

**1 Claim, 10 Drawing Sheets**



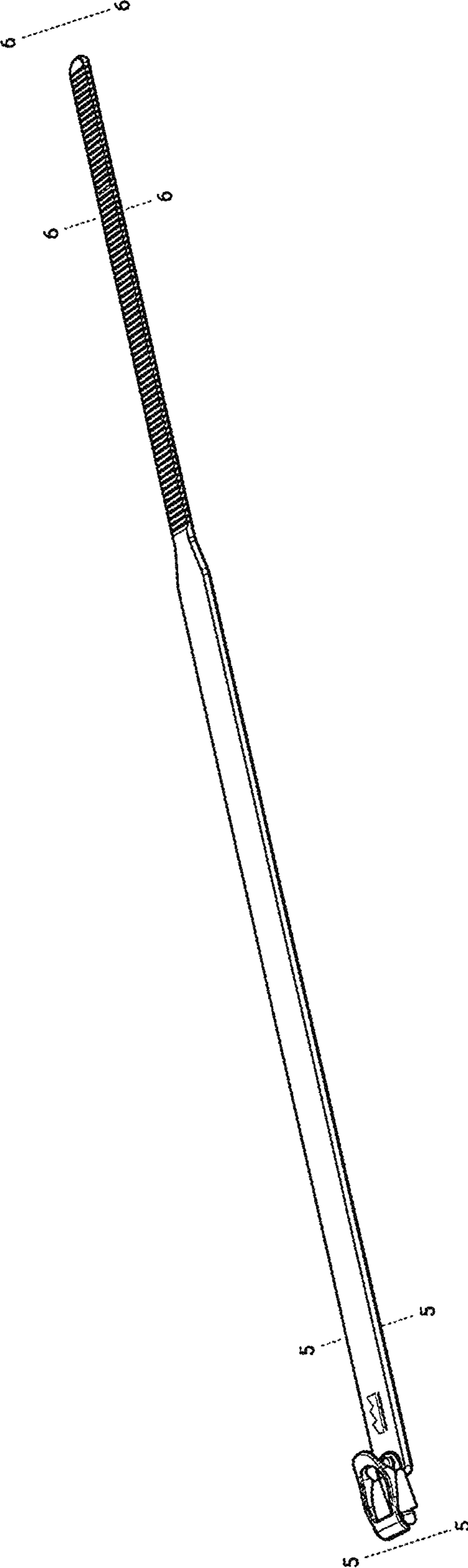


FIG. 1

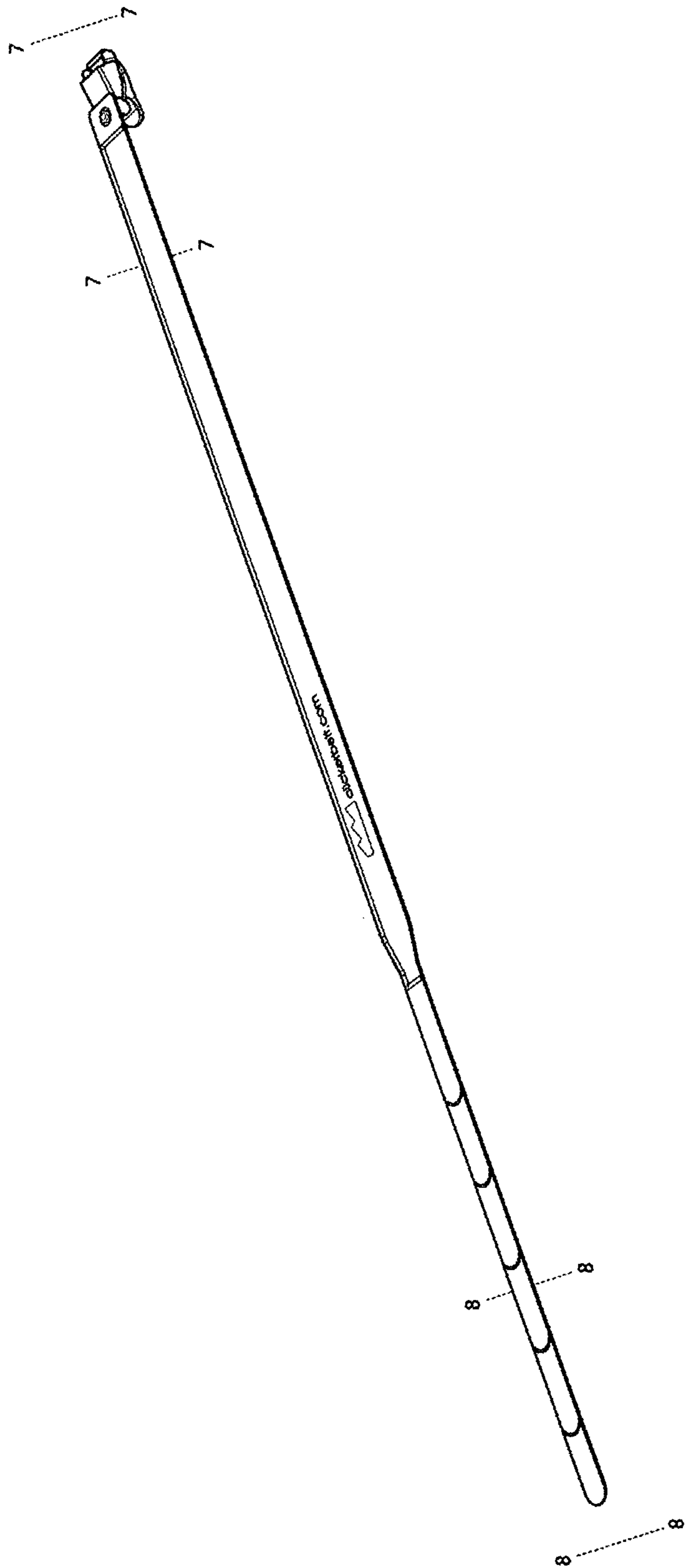


FIG. 2

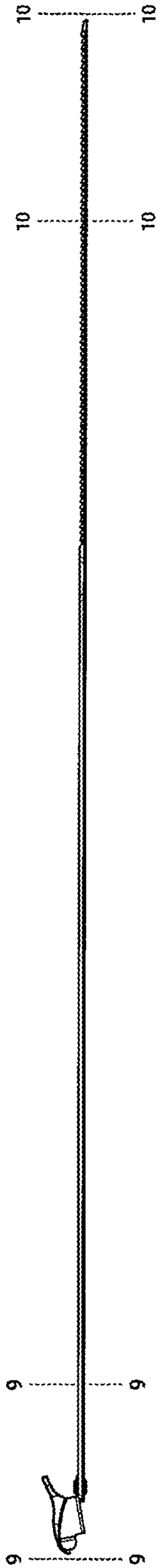


FIG.3



FIG.4

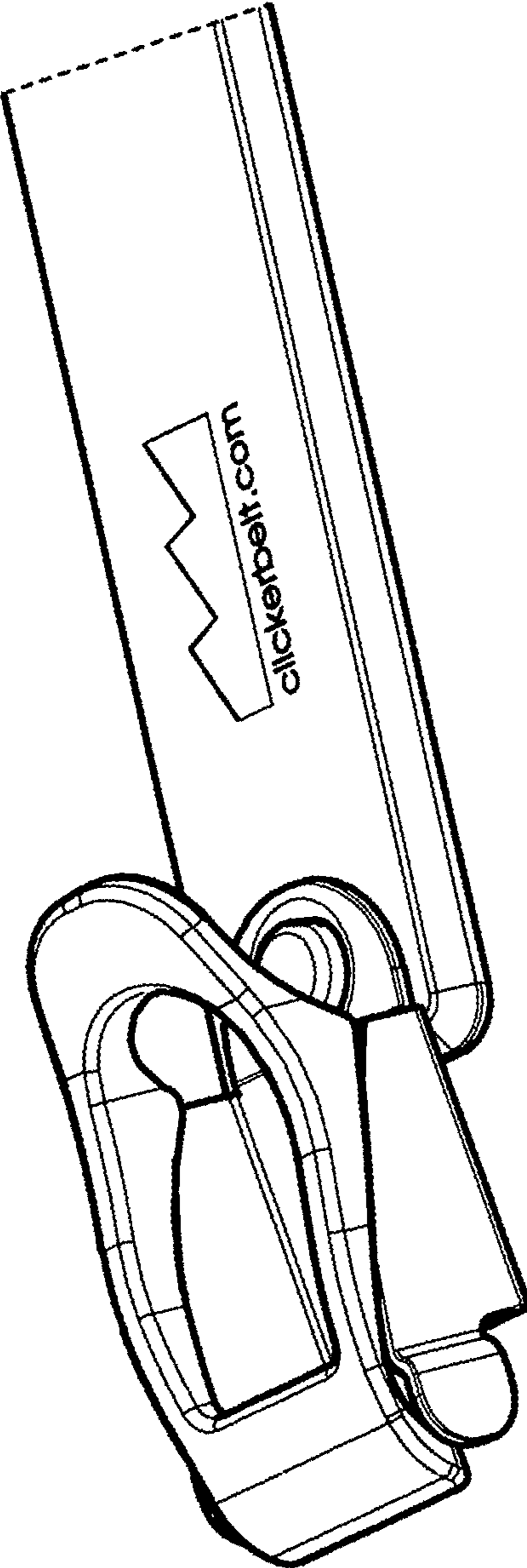


FIG. 5

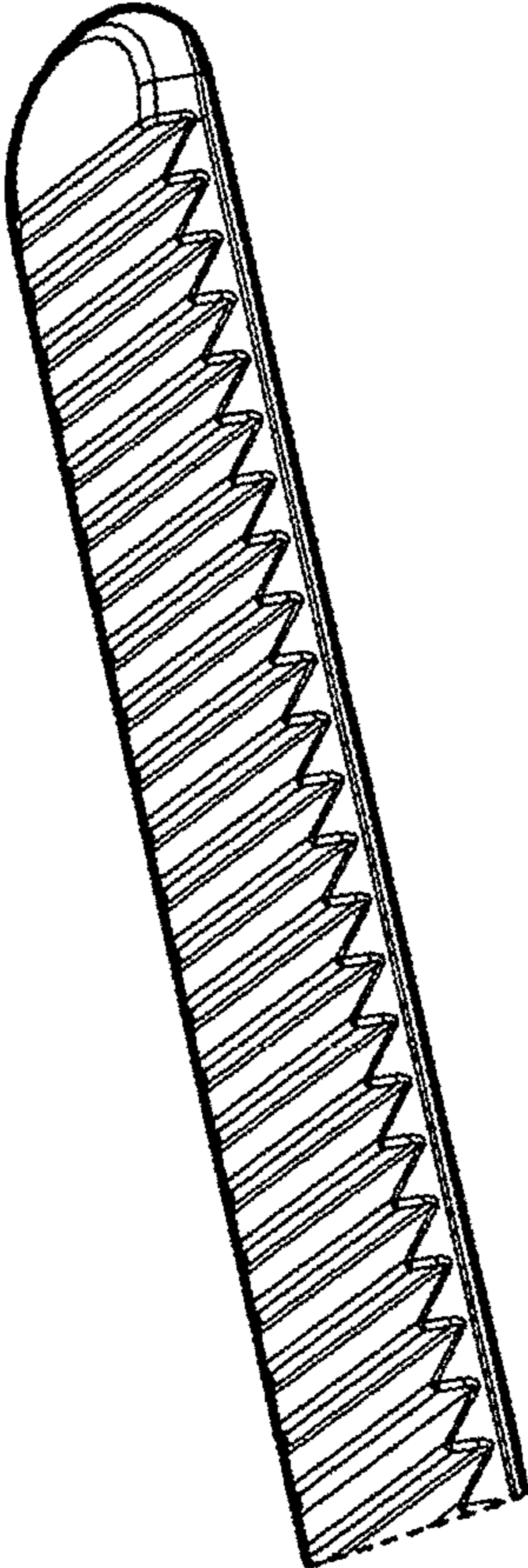


FIG. 6

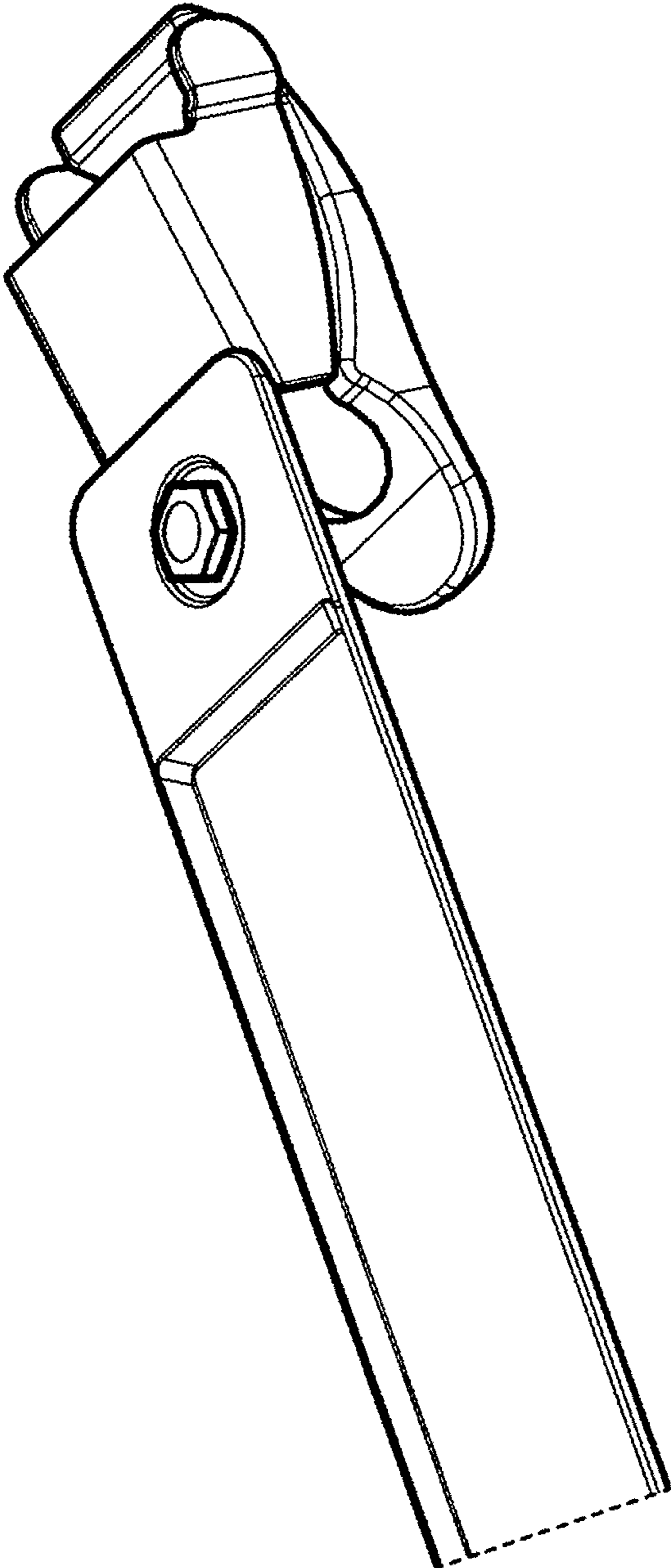


FIG. 7



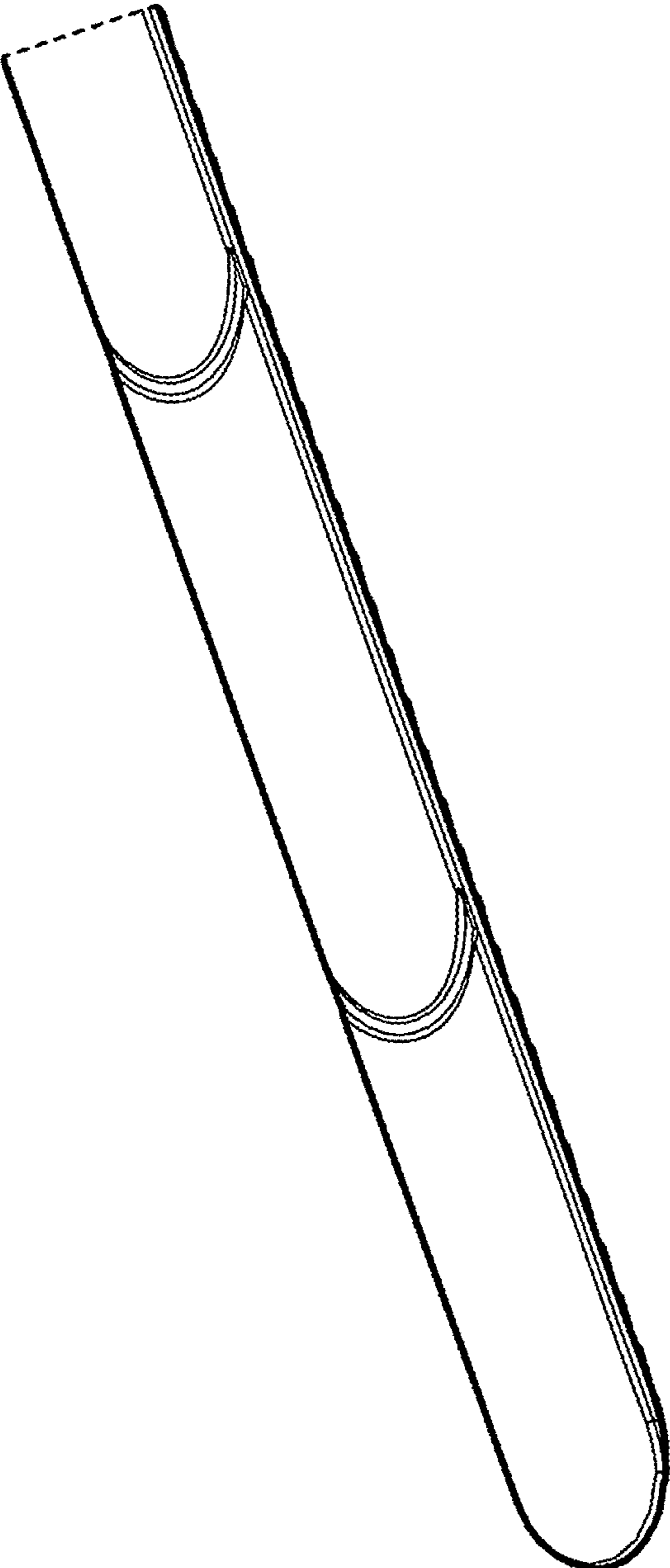


FIG. 8

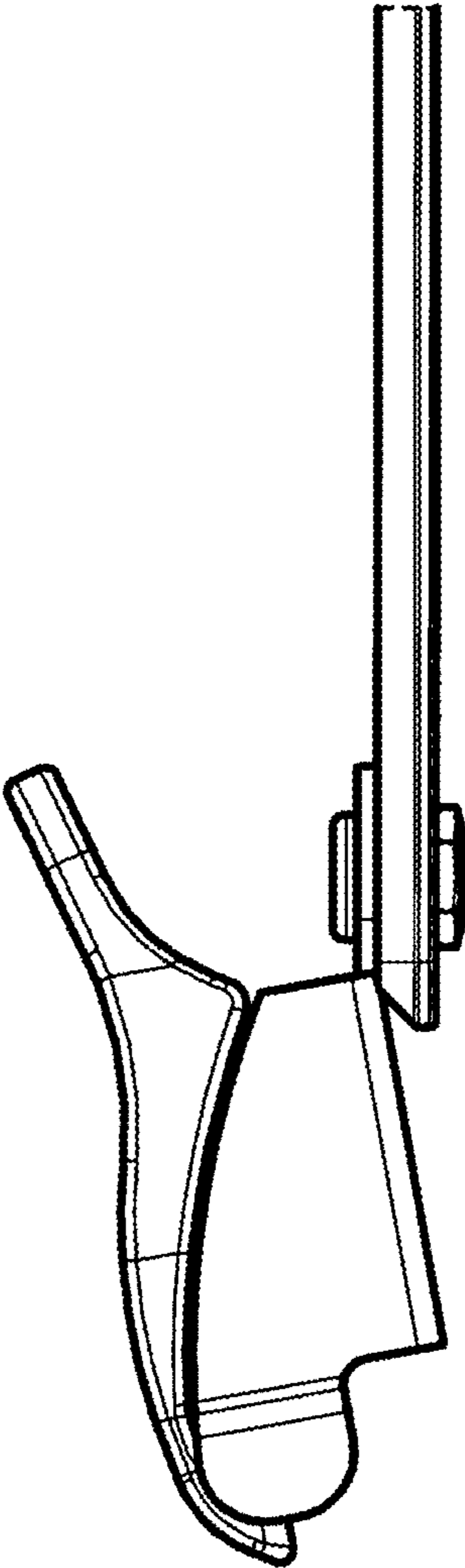


FIG.9



FIG.10