



US00D813491S

(12) **United States Design Patent**
Walker

(10) **Patent No.:** **US D813,491 S**
(45) **Date of Patent:** **** Mar. 27, 2018**

- (54) **CONICAL POTATO PIECE**
- (71) Applicant: **J.R. Simplot Company**, Boise, ID (US)
- (72) Inventor: **David Bruce Walker**, Meridian, ID (US)
- (73) Assignee: **J.R. Simplot Company**, Boise, ID (US)
- (**) Term: **15 Years**
- (21) Appl. No.: **29/579,924**
- (22) Filed: **Oct. 4, 2016**
- (51) **LOC (11) Cl.** **01-01**
- (52) **U.S. Cl.**
USPC **D1/125**
- (58) **Field of Classification Search**
USPC D1/100-130, 199; D7/504, 509, 510, D7/523, 524, 555, 566, 568, 584-587, D7/602, 672, 300.1; D21/386, 672, 803, D21/821; D19/91; 426/92, 94, 95, 99, 426/101, 138-139, 143, 279, 282, 283, 426/391, 514; D11/146, 151, 154, 78, D11/131, 141, 152; D14/480.5, 484.1; D25/119, 121, 126; D30/160; 220/566; D34/28, 29
CPC A21D 13/0025; A21D 13/0029; A21D 13/0074; A21D 13/0022; A21D 13/0006; A23L 1/1641; A23L 1/005
See application file for complete search history.

(56) **References Cited**

U.S. PATENT DOCUMENTS

- 5,296,252 A 3/1994 Mendenhall
- D378,120 S * 2/1997 Wood D23/201
- D388,236 S * 12/1997 Goldstein D1/118
- 7,117,778 B2 * 10/2006 Fein B26D 1/0006
30/353
- D640,036 S 6/2011 Walker et al.
- D701,667 S 4/2014 Coomes et al.
- D712,618 S * 9/2014 Rogers D1/125

- D716,519 S * 11/2014 Walker D1/125
 - D716,520 S * 11/2014 Walker D1/125
 - D723,241 S * 3/2015 Walker D1/125
 - D723,242 S * 3/2015 Walker D1/125
 - D723,243 S * 3/2015 Walker D1/125
- (Continued)

FOREIGN PATENT DOCUMENTS

- AU 307626 6/2006
 - AU 328604 11/2009
- (Continued)

OTHER PUBLICATIONS

National Institute of Industrial Property; Written Opinion; Chilean Patent Application No. 2017-00823 dated Nov 9, 2017.
(Continued)

Primary Examiner — Katie Jane Stofko
(74) *Attorney, Agent, or Firm* — Parsons Behle & Latimer

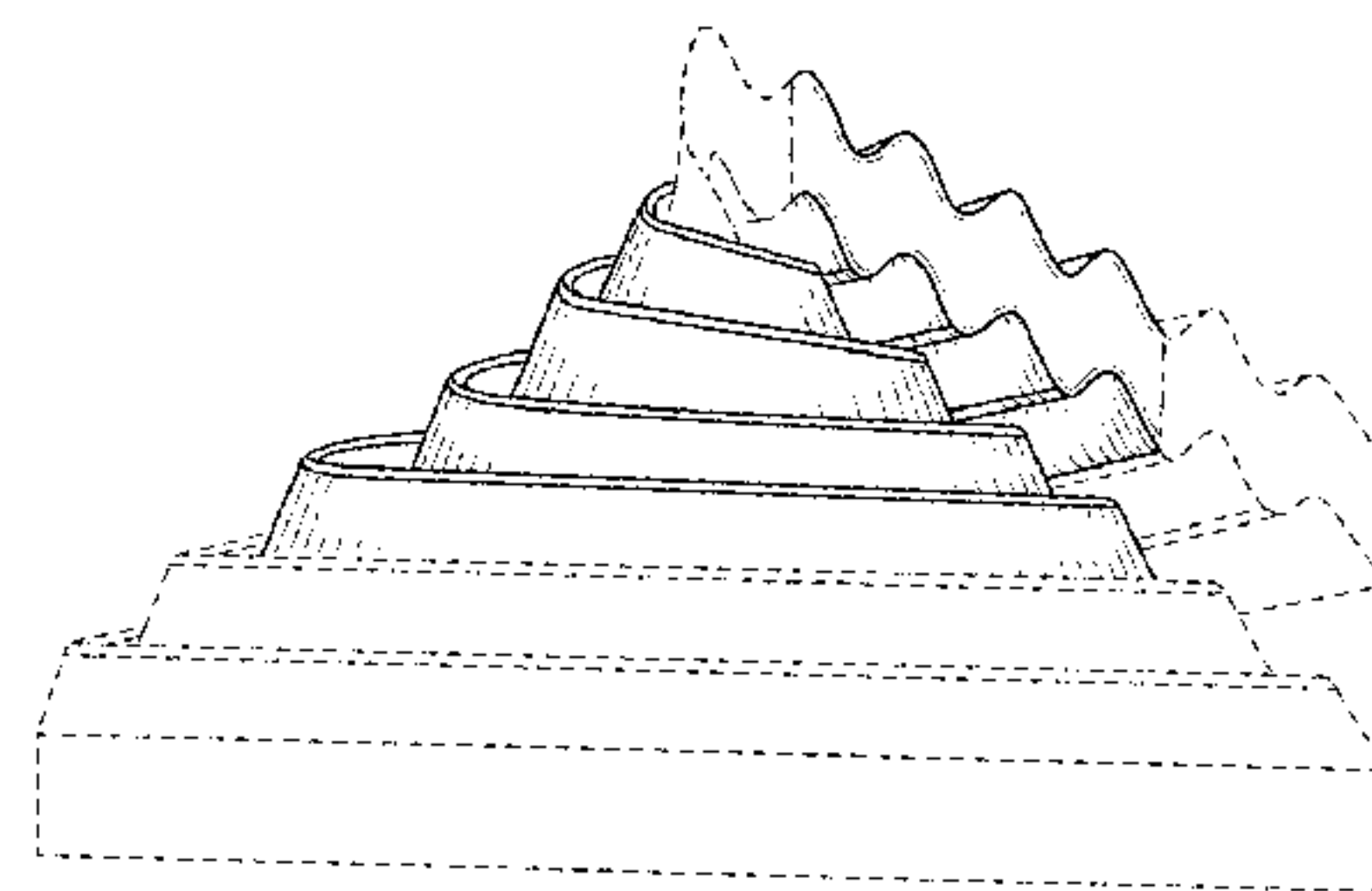
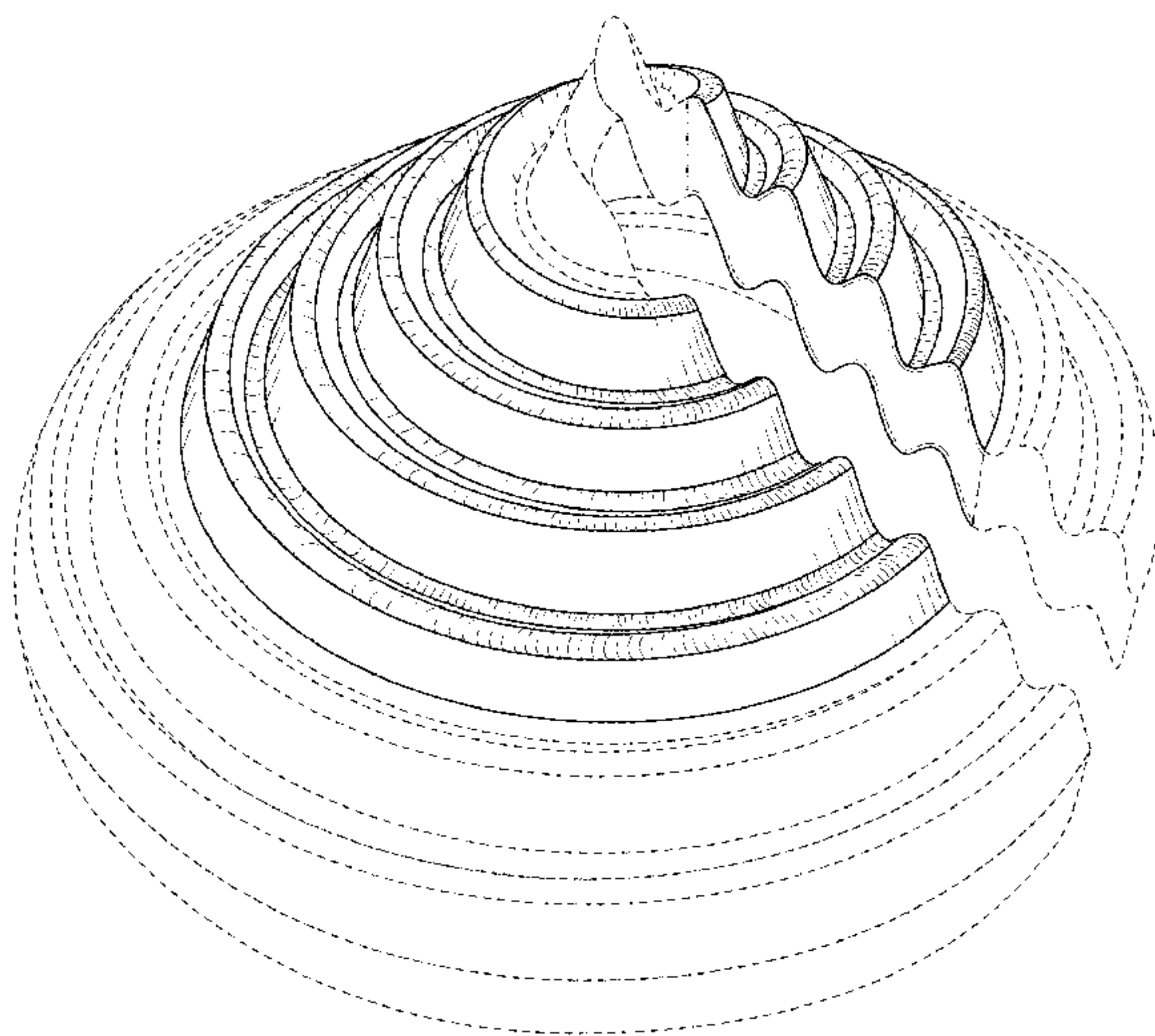
(57) **CLAIM**

The ornamental design for a conical potato piece, as shown and described.

DESCRIPTION

FIG. 1 is a perspective view showing a conical potato piece embodying my new design;
FIG. 2 is a front plan view thereof;
FIG. 3 is a rear plan view thereof;
FIG. 4 is a left side plan view thereof;
FIG. 5 is a right side plan view thereof;
FIG. 6 is a top plan view thereof; and,
FIG. 7 is a bottom plan view thereof.
The evenly-spaced broken lines in FIGS. 1-7 illustrate portions of the conical potato piece that form no part of the claimed design. The dash-dot-dash broken lines in FIGS. 1, 4, and 5 illustrate the boundary of the claimed design which forms no part thereof.

1 Claim, 4 Drawing Sheets



(56)

References Cited

U.S. PATENT DOCUMENTS

D735,441 S 8/2015 Rogers et al.
 D748,366 S * 2/2016 Rogers D1/125
 D766,542 S * 9/2016 Walker D1/125
 D782,272 S * 3/2017 Watry D8/312
 D787,151 S 5/2017 Cobo et al.
 D793,483 S * 8/2017 Khubani D21/453

FOREIGN PATENT DOCUMENTS

EP 0019955002 4/2003
 EP 0053715001 7/2003
 EP 0002340670001 9/2004
 EP 0003812980005 8/2005
 EP 02334128001 10/2013
 EP 02436717001 3/2014
 EP 02454405001 4/2014
 EP 02939074001 1/2016

EP 003135722 5/2016
 EP 003154293 5/2016
 EP 0031641020001 5/2016
 EP 0145014201 6/2016
 EP 03837574001 4/2017

OTHER PUBLICATIONS

Giant Cupcake, published Apr. 24, 2013 [retrieved on Dec. 5, 2017]. Retrieved from the Internet <http://www.thepinkwhisk.co.uk/search/Giant+cupcake>.

Giant Cupcake, published Jul. 7, 2014 [retrieved on Dec. 5, 2017]. Retrieved from the Internet <http://www.kissmyapron.com/search?q=giant+cupcake>.

Cosas de Chari: Carolinas, published Dec. 16, 2010 [retrieved on Dec. 8, 2017]. Retrieved from the Internet <http://cosasdechari.blogspot.cl/2010/12/carolinas.html>.

* cited by examiner

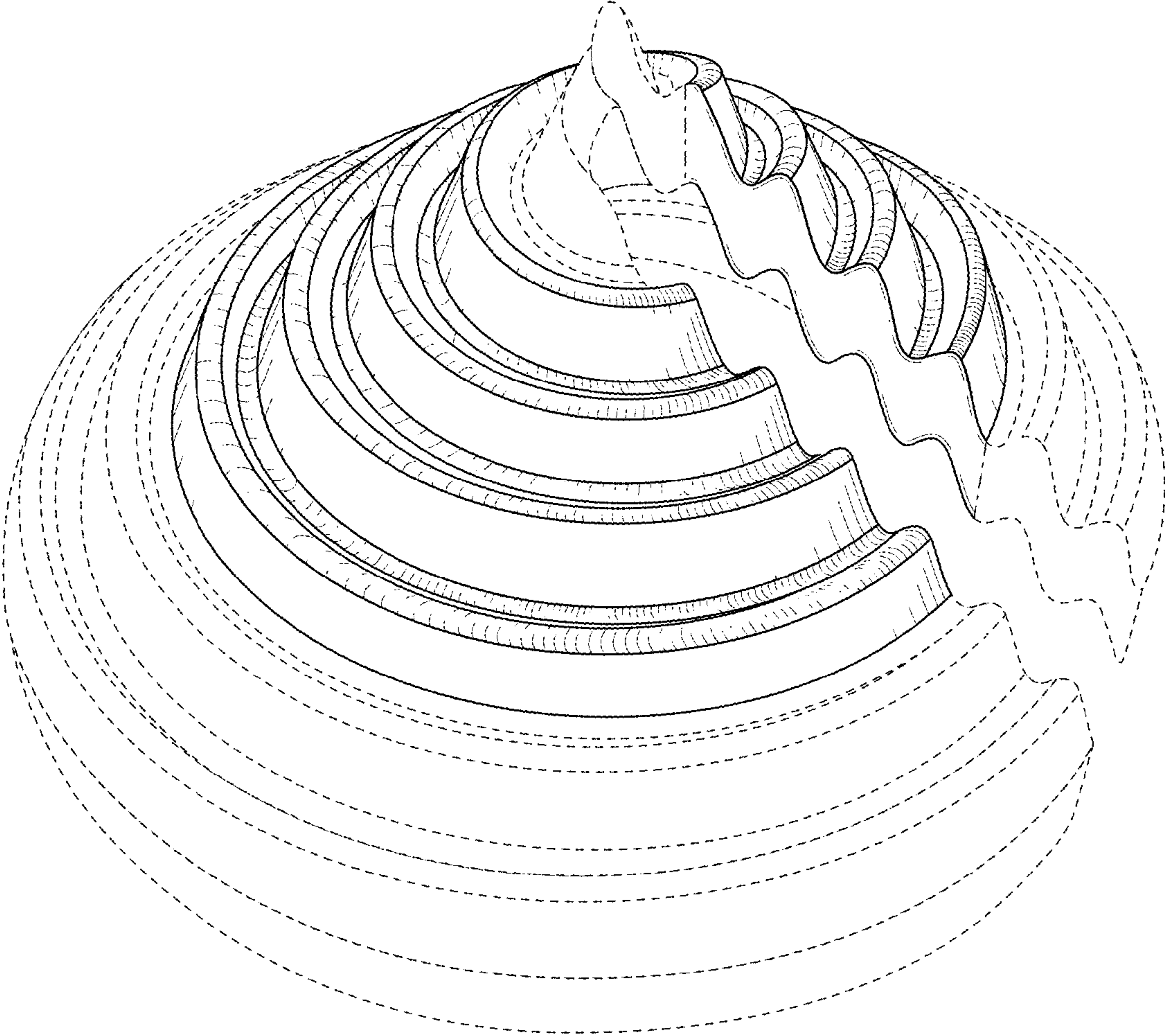


FIG. 1

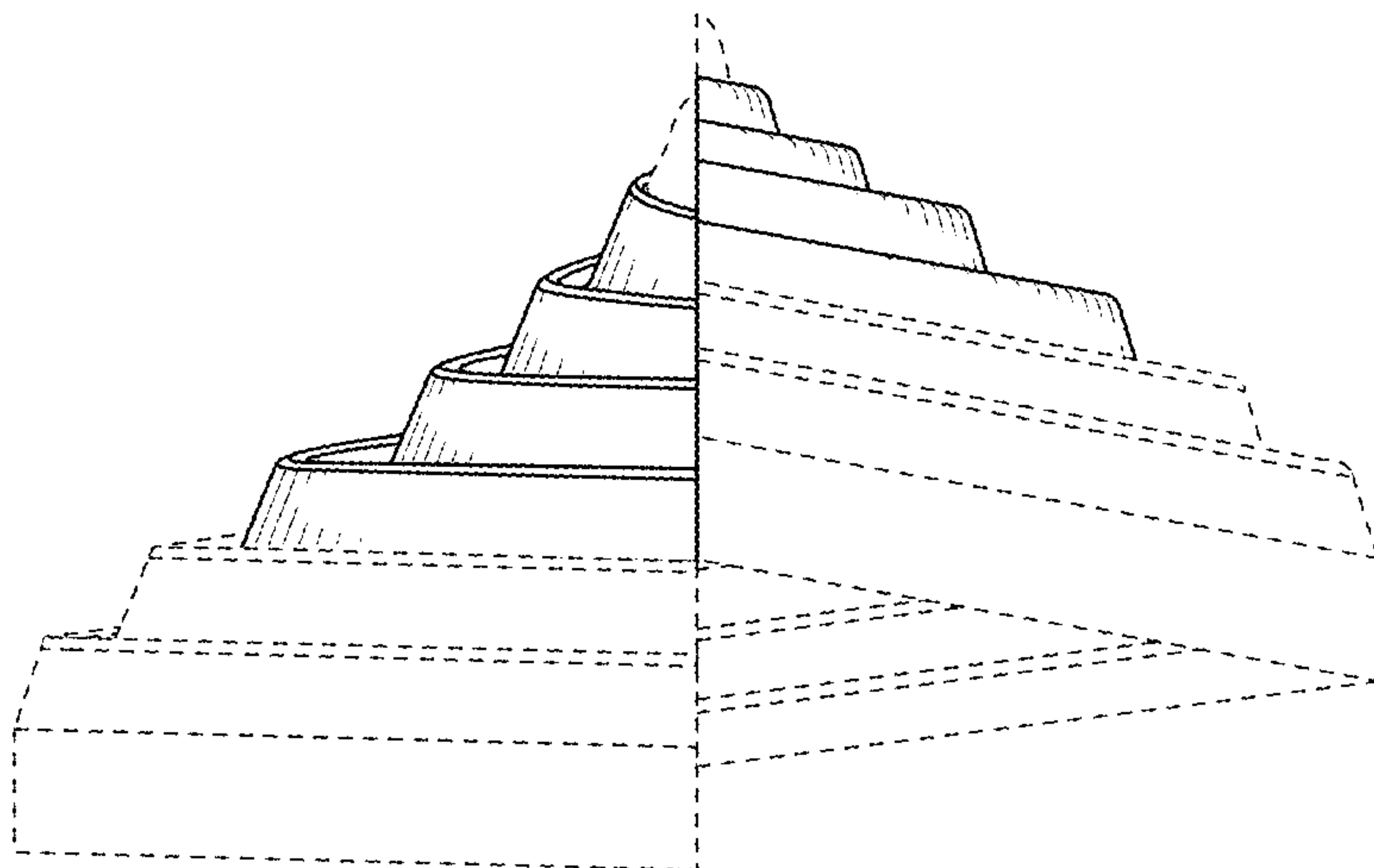


FIG. 2

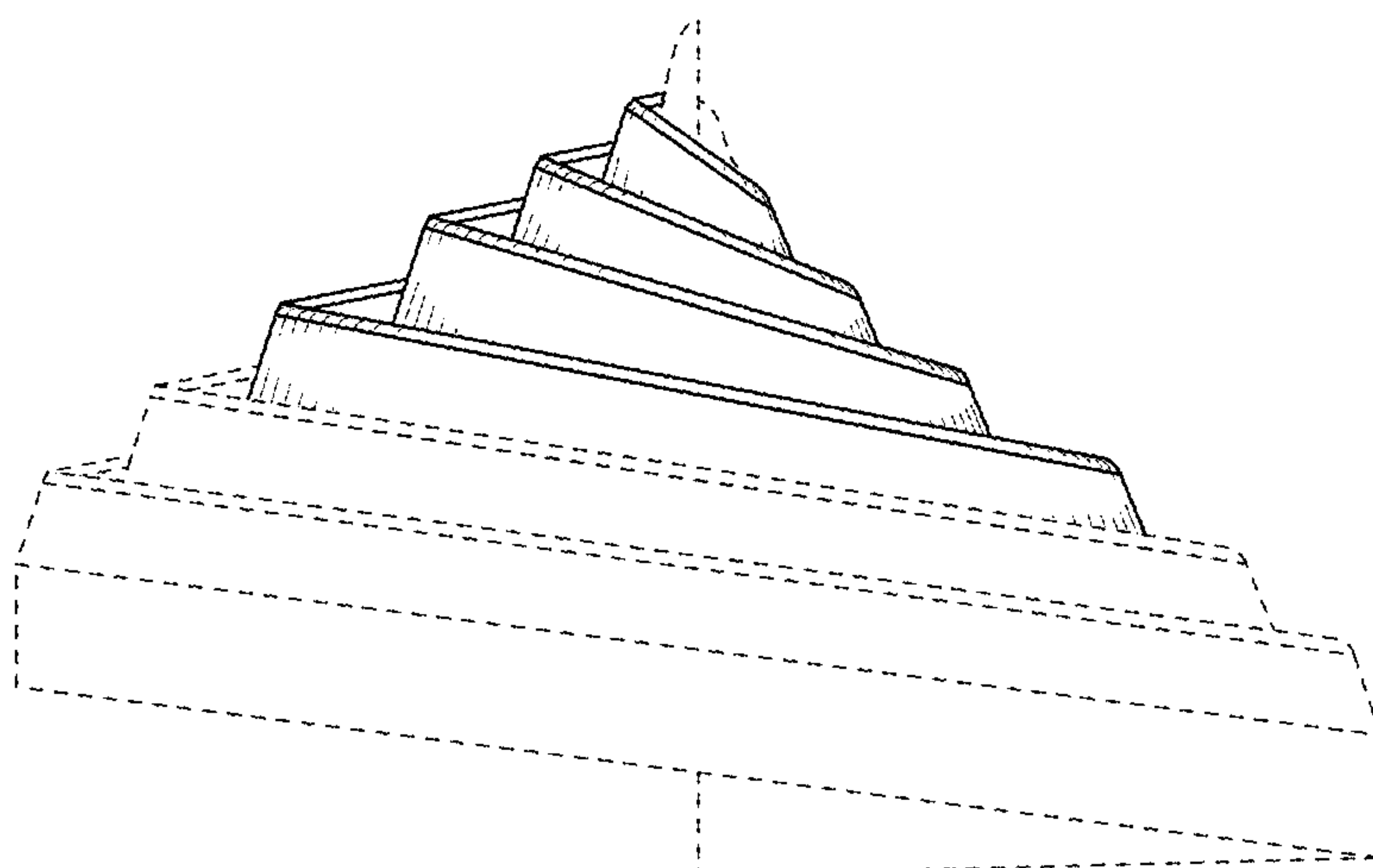


FIG. 3

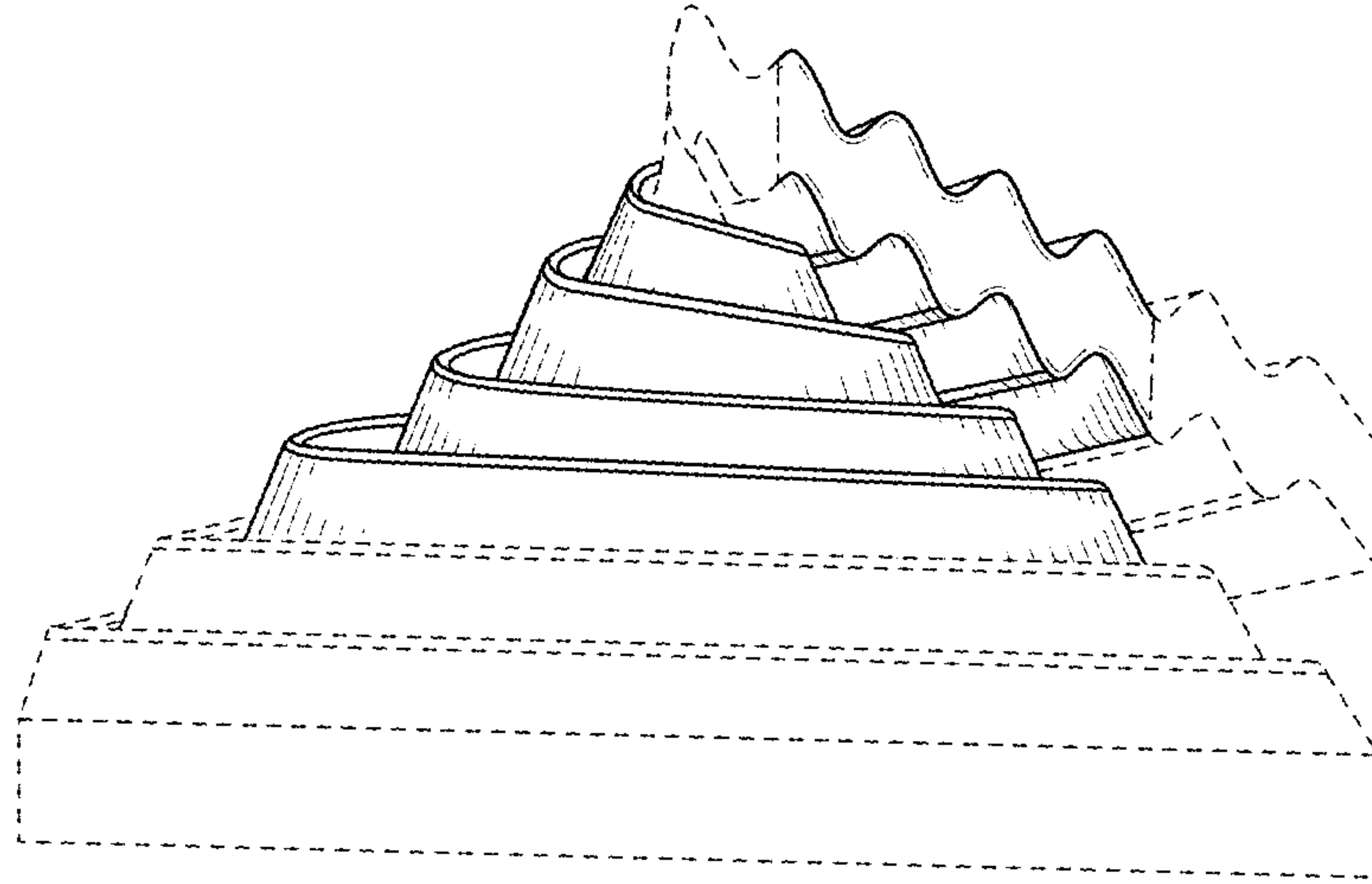


FIG. 4

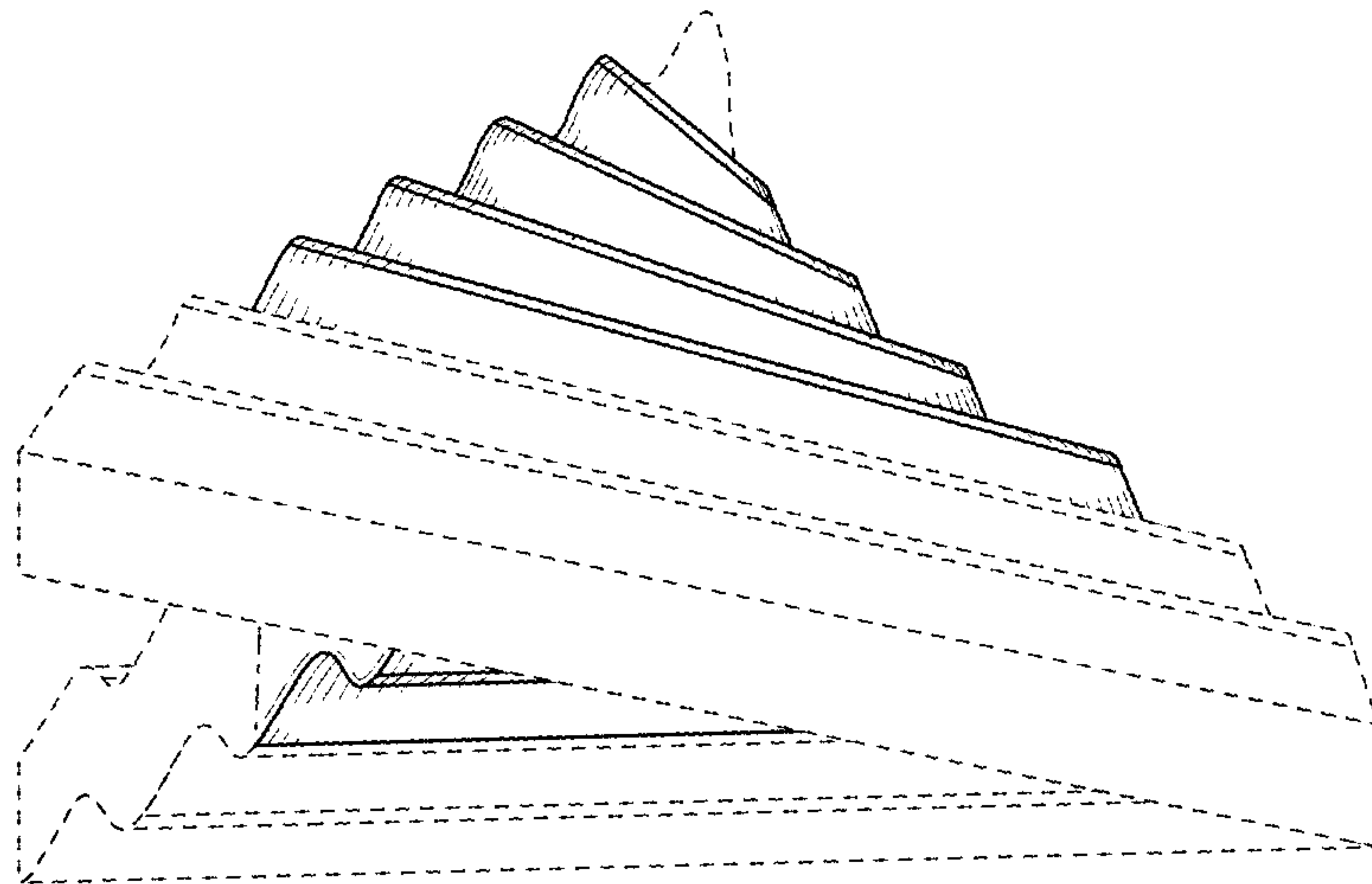


FIG. 5

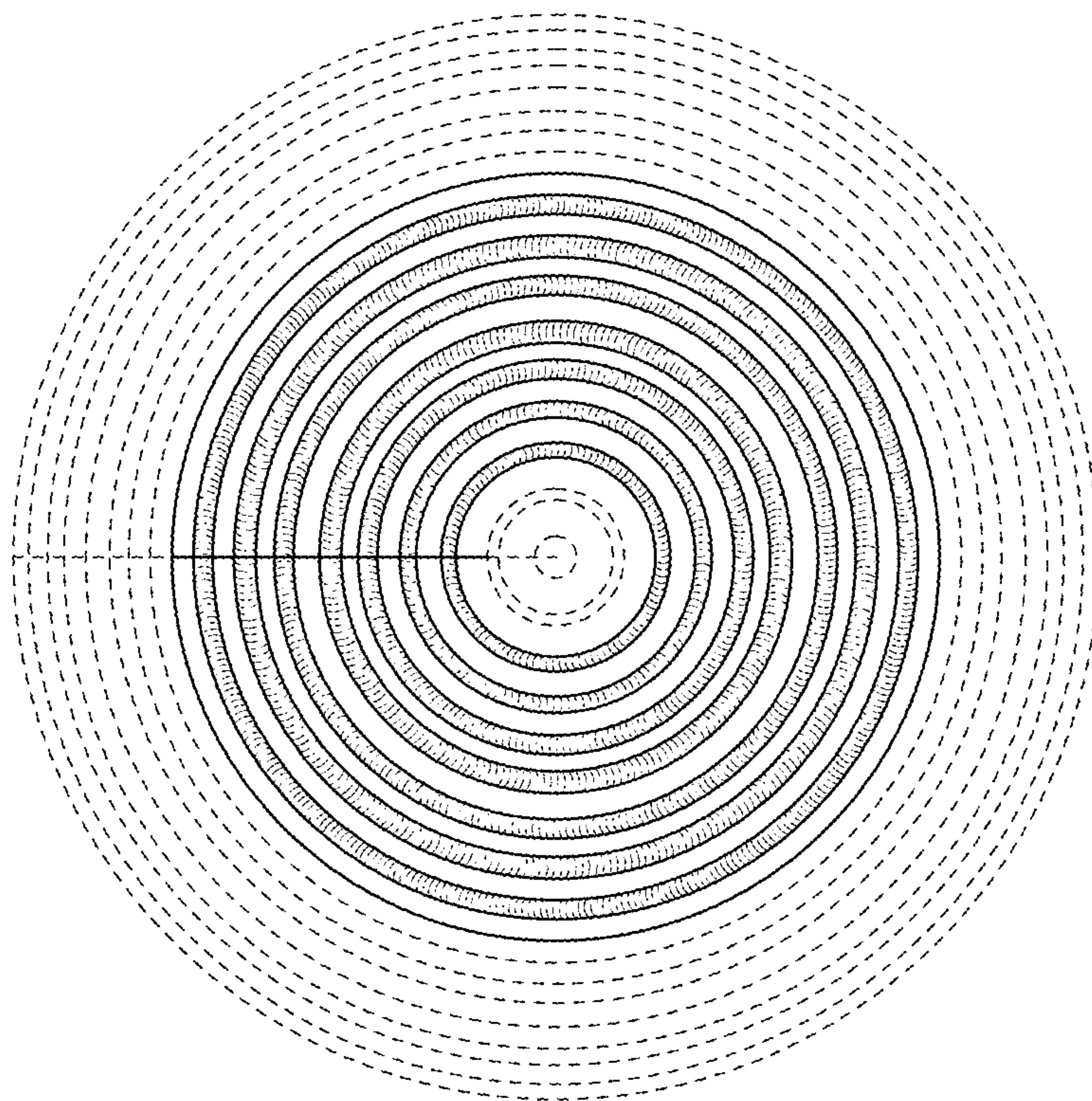


FIG. 6

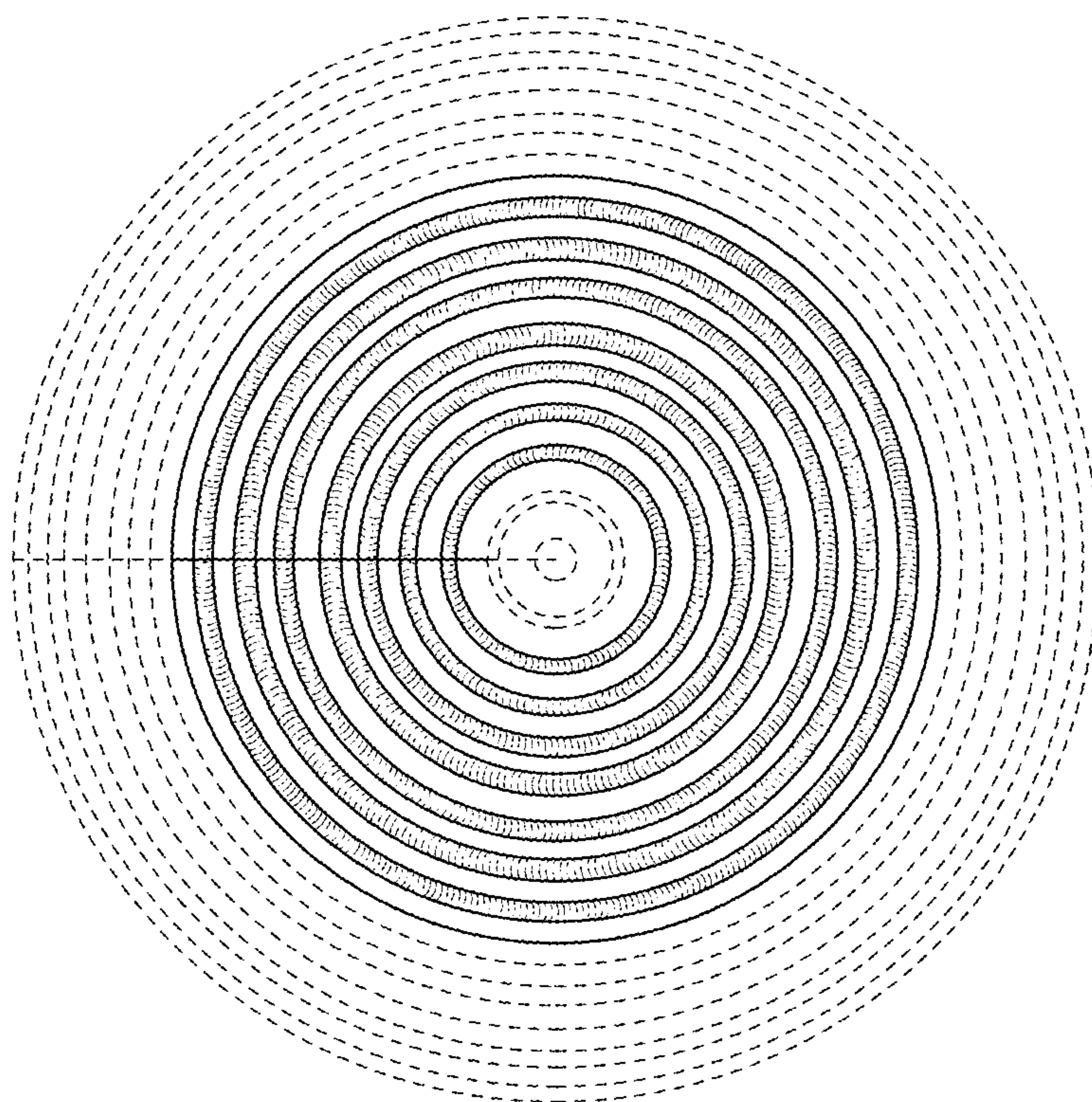


FIG. 7