



US00D813489S

(12) **United States Design Patent** (10) **Patent No.:** **US D813,489 S**
Frazier (45) **Date of Patent:** **** Mar. 20, 2018**

(54) **PLATFORM FOR STACKING A PALLET ON TOP OF A BULK BIN OR OPEN ENDED BOX**

(71) Applicant: **Stay-Rite Solutions LLC**, Rydal, GA (US)

(72) Inventor: **Clayton Anthony Frazier**, Rydal, GA (US)

(73) Assignee: **STAY-RITE SOLUTIONS LLC**, Rydal, GA (US)

(**) Term: **15 Years**

(21) Appl. No.: **29/564,089**

(22) Filed: **May 10, 2016**

(51) **LOC (11) Cl.** **09-08**

(52) **U.S. Cl.**
USPC **D34/38; D34/35**

(58) **Field of Classification Search**
USPC **D34/38, 35; 108/51.3, 56.1; 206/386**
(Continued)

(56) **References Cited**

U.S. PATENT DOCUMENTS

2,203,625 A 6/1940 Friedel
2,738,564 A * 3/1956 Guinane F26B 25/18
206/322

(Continued)

FOREIGN PATENT DOCUMENTS

DE 202007011002 U1 12/2007
EP 0034464 A1 8/1981

(Continued)

OTHER PUBLICATIONS

“Corner Clips Improve Corrugated-Box Handling,” Metal Forming Magazine, metalforming magazine.com, 2008, [http:// www.metalformingmagazine.com/magazine/article.asp?aid=4943](http://www.metalformingmagazine.com/magazine/article.asp?aid=4943), 2 pages.

(Continued)

Primary Examiner — Cynthia Ramirez

(74) Attorney, Agent, or Firm — Klintworth & Rozenblat IP LLP

(57) **CLAIM**

The ornamental design for a platform for stacking a pallet on top of a bulk bin or open ended box, as shown and described.

DESCRIPTION

FIG. 1 is a top perspective view of the platform for stacking a pallet on top of a bulk bin or open ended box according to a first embodiment;

FIG. 2 is a front elevation view of the platform for stacking a pallet on top of a bulk bin or open ended box;

FIG. 3 is a rear elevation view of the platform for stacking a pallet on top of a bulk bin or open ended box;

FIG. 4 is a right side elevation view of the platform for stacking a pallet on top of a bulk bin or open ended box;

FIG. 5 is a left side elevation view of the platform for stacking a pallet on top of a bulk bin or open ended box;

FIG. 6 is a top plan view of the platform for stacking a pallet on top of a bulk bin or open ended box;

FIG. 7 is a bottom plan view of the platform for stacking a pallet on top of a bulk bin or open ended box;

FIG. 8 is a bottom perspective view of the platform for stacking a pallet on top of a bulk bin or open ended box;

FIG. 9 is a top perspective view of the platform for stacking a pallet on top of a bulk bin or open ended box according to a second embodiment;

FIG. 10 is a front elevation view of the platform for stacking a pallet on top of a bulk bin or open ended box of FIG. 9;

FIG. 11 is a rear elevation view of the platform for stacking a pallet on top of a bulk bin or open ended box of FIG. 9;

FIG. 12 is a right side elevation view of the platform for stacking a pallet on top of a bulk bin or open ended box of FIG. 9;

FIG. 13 is a left side elevation view of the platform for stacking a pallet on top of a bulk bin or open ended box of FIG. 9;

FIG. 14 is a top plan view of the platform for stacking a pallet on top of a bulk bin or open ended box of FIG. 9;

FIG. 15 is a bottom plan view of the platform for stacking a pallet on top of a bulk bin or open ended box of FIG. 9;

(Continued)

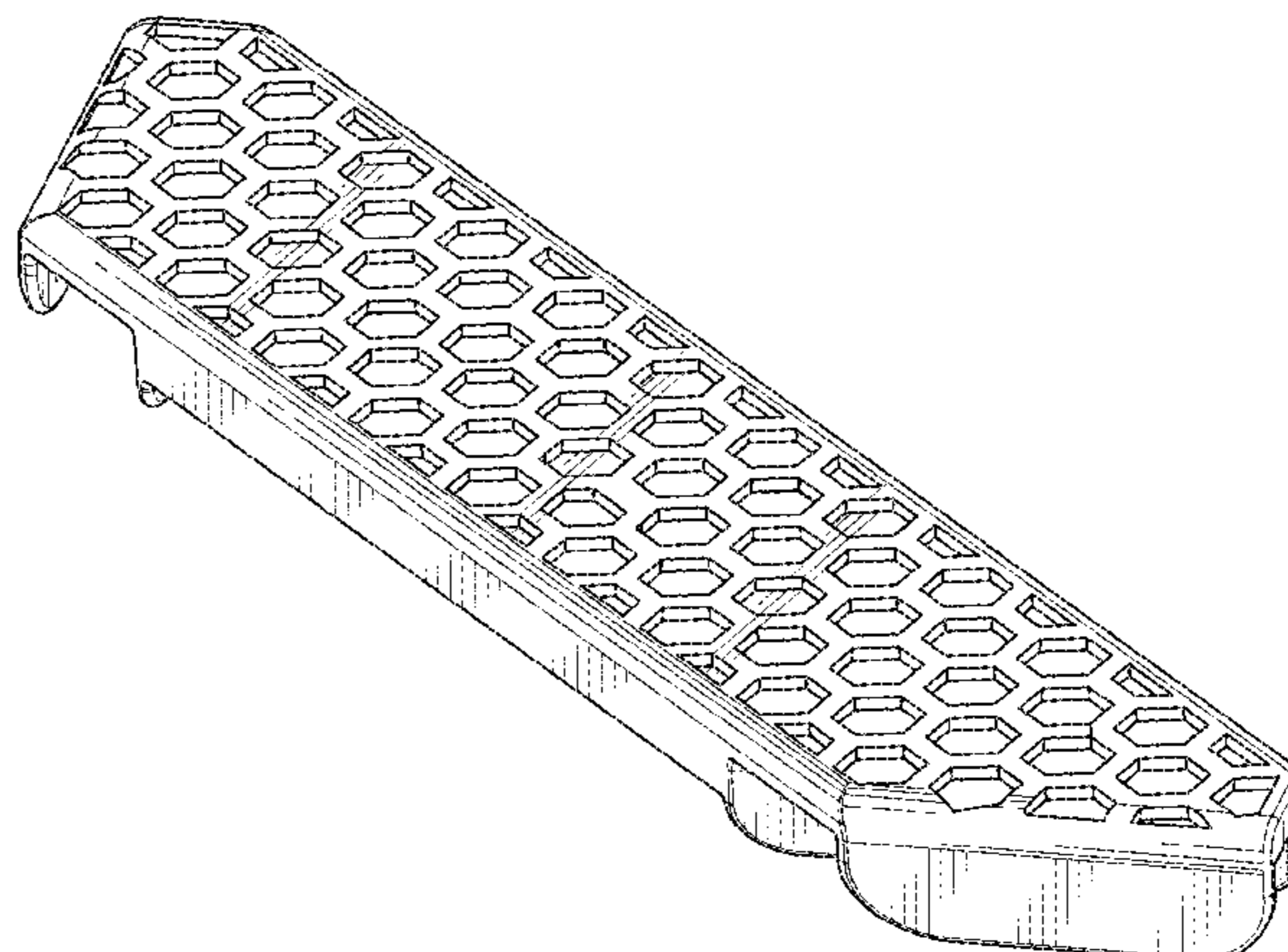
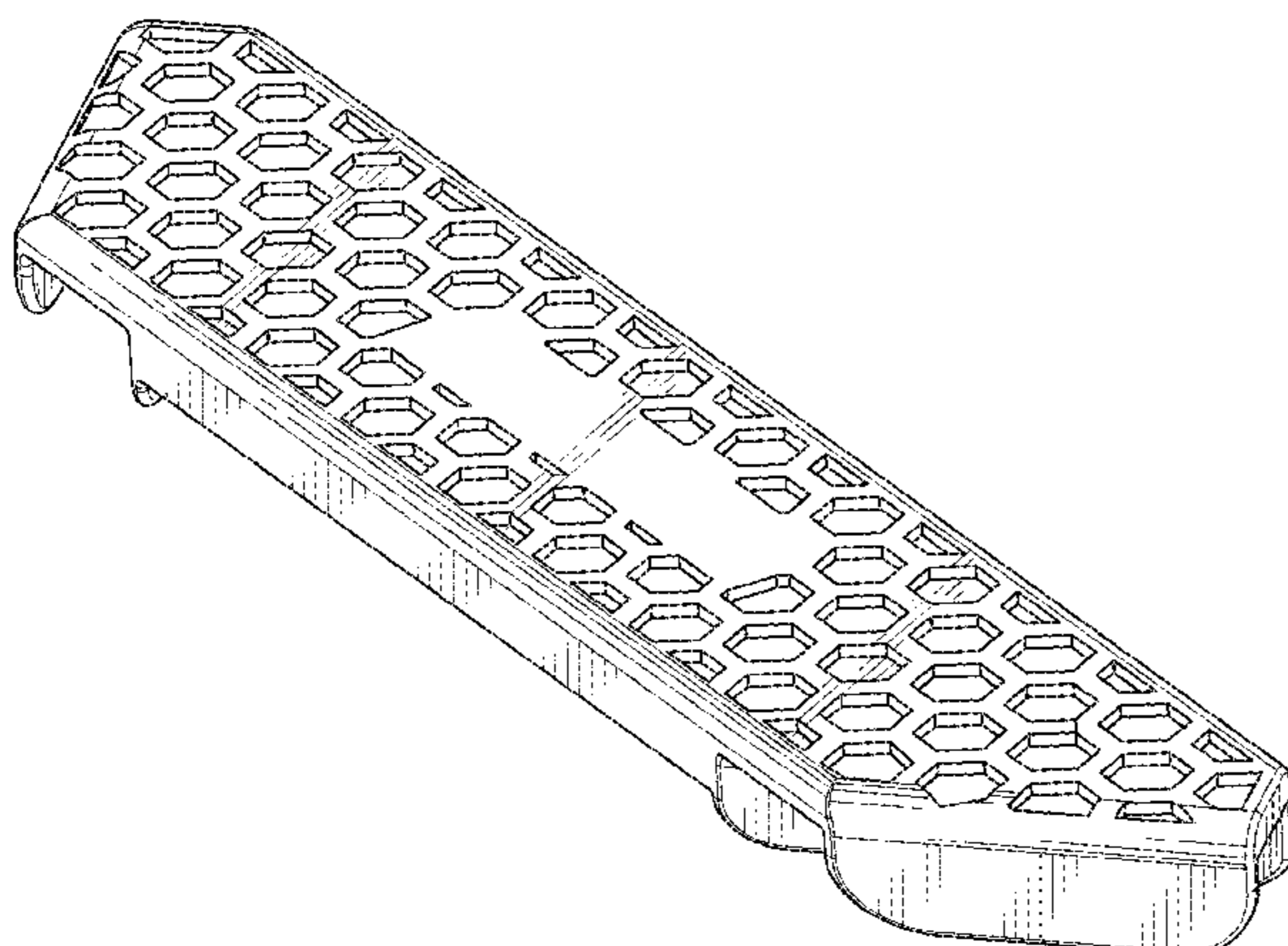


FIG. 16 is a bottom perspective view of the platform for stacking a pallet on top of a bulk bin or open ended box of FIG. 9;
 FIG. 17 is an alternate bottom plan view of the platform for stacking a pallet on top of a bulk bin or open ended box of either of FIGS. 1 and 9; and,
 FIG. 18 is a bottom perspective view of the platform for stacking a pallet on top of a bulk bin or open ended box of FIG. 17.

1 Claim, 9 Drawing Sheets

(58) **Field of Classification Search**

CPC B65D 21/0224; B65D 19/0004; B65D
 19/44; B65D 2519/00965
 See application file for complete search history.

(56) **References Cited**

U.S. PATENT DOCUMENTS

| | | | | |
|-----------|-----|---------|----------------|-------------------------|
| 3,480,178 | A | 11/1969 | Morgan | |
| 3,651,977 | A | 3/1972 | Morgan | |
| 3,760,465 | A | 9/1973 | Brennan | |
| D238,862 | S * | 2/1976 | Hewson | D34/38 |
| 3,944,073 | A | 3/1976 | Downing | |
| 4,089,417 | A * | 5/1978 | Osborne | B65D 19/20 108/56.1 |
| 4,126,265 | A | 11/1978 | Holmes | |
| 4,210,274 | A | 7/1980 | Leonard | |
| 4,449,662 | A | 5/1984 | Okamura et al. | |
| 4,509,433 | A * | 4/1985 | Farr | B65D 19/40 108/51.3 |
| 4,619,365 | A | 10/1986 | Kelly et al. | |
| 4,779,751 | A | 10/1988 | Munroe | |
| 4,787,553 | A | 11/1988 | Hoskins | |
| 4,807,756 | A | 2/1989 | Young et al. | |
| 5,037,027 | A | 8/1991 | Nichols | |
| D322,705 | S * | 12/1991 | Rasmussen | D34/38 |
| 5,178,275 | A * | 1/1993 | Fitzgerald | B65D 77/061 108/55.1 |
| 5,295,632 | A | 3/1994 | Zink et al. | |
| D347,509 | S * | 5/1994 | Junaedi | D34/38 |

| | | | | |
|--------------|------|---------|-----------------|-------------------------|
| 5,337,950 | A | 8/1994 | Bower | |
| 5,431,336 | A | 7/1995 | Clee | |
| 5,531,326 | A | 7/1996 | Hummel et al. | |
| 5,732,434 | A | 3/1998 | McCarty | |
| 6,305,599 | B2 | 10/2001 | Tsubaki et al. | |
| D455,266 | S | 4/2002 | Bradford | |
| 6,368,694 | B1 | 4/2002 | Marsh et al. | |
| D463,894 | S * | 10/2002 | Ghafourian | D34/38 |
| 6,564,993 | B1 | 5/2003 | Wassink | |
| 6,926,144 | B1 * | 8/2005 | Schnaars, Jr. | B65D 88/1687 206/386 |
| D539,004 | S * | 3/2007 | Giampavolo | D34/38 |
| D547,024 | S * | 7/2007 | Brefka | D34/38 |
| 7,244,004 | B2 | 7/2007 | Hightower | |
| D620,673 | S * | 7/2010 | Giampavolo | D34/38 |
| 7,963,394 | B2 * | 6/2011 | Facey | B65D 71/70 206/386 |
| D648,094 | S * | 11/2011 | Medina | D34/38 |
| D657,934 | S * | 4/2012 | Kessler | D34/38 |
| 8,333,297 | B2 | 12/2012 | McAlpine et al. | |
| D681,903 | S * | 5/2013 | Randall | D34/38 |
| D706,014 | S * | 5/2014 | Ksiezakowski | D34/38 |
| 9,079,707 | B2 | 7/2015 | Winterberg | |
| D773,299 | S * | 12/2016 | Gray | D34/38 |
| D774,271 | S * | 12/2016 | Marti | D34/38 |
| 2002/0179701 | A1 | 12/2002 | Bazany et al. | |
| 2004/0025757 | A1 | 2/2004 | Fan | |
| 2017/0129646 | A1 * | 5/2017 | Frazier | B65D 19/0004 |

FOREIGN PATENT DOCUMENTS

| | | | |
|----|-----------|----|--------|
| EP | 0665166 | A1 | 2/1995 |
| EP | 1207113 | A1 | 5/2002 |
| EP | 1886928 | A1 | 2/2008 |
| WO | 00/41938 | A1 | 7/2000 |
| WO | 02/072437 | A1 | 9/2002 |

OTHER PUBLICATIONS

“K-Bins Flat Pack Polypropylene Stacking Boxes Grey,” Big Dug®, bigdug.co.uk, © 2015, accessed: Jul. 2015. <http://www.bigdug.co.uk/storage-boxes-containers-c363/k-bins-c367/kbins-flat-packpolypropylene-stacking-boxes-grey-pp14828>, 2 pages.
 International Search Report and Written Opinion for PCT/US16/60994 dated Jan. 25, 2017, 11 pages.

* cited by examiner

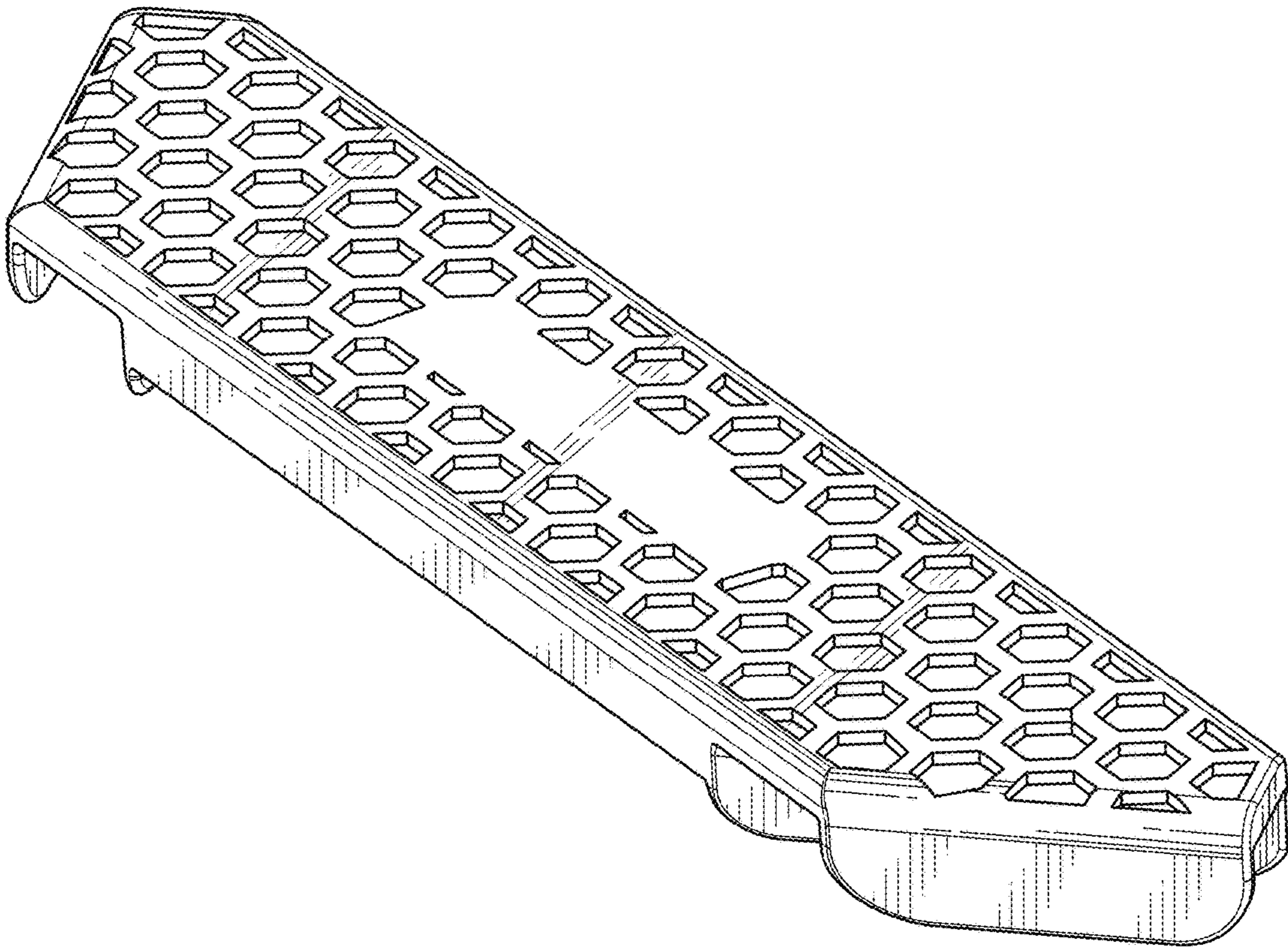


FIG. 1

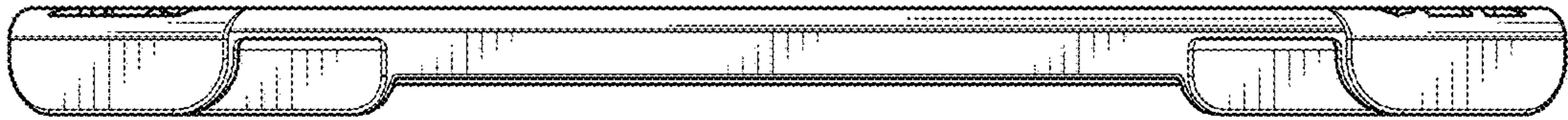


FIG. 2

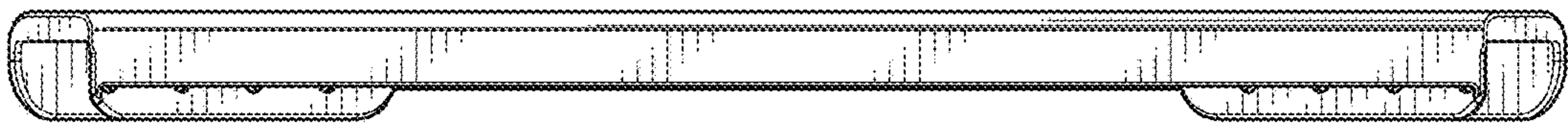


FIG. 3

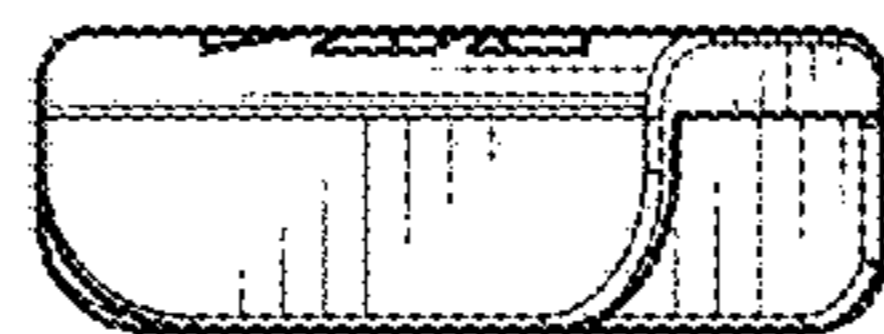


FIG. 4

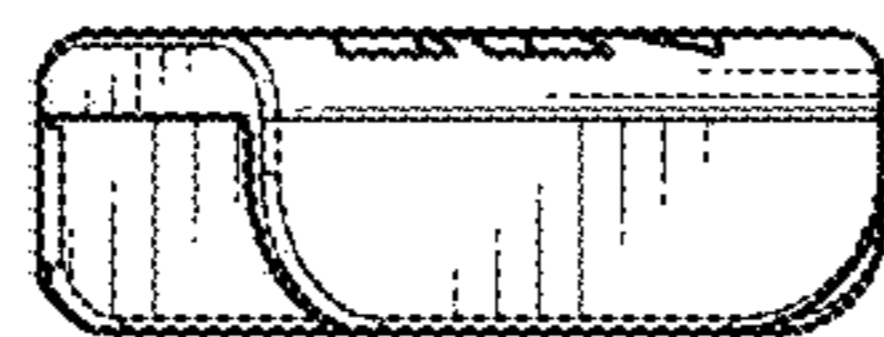


FIG. 5

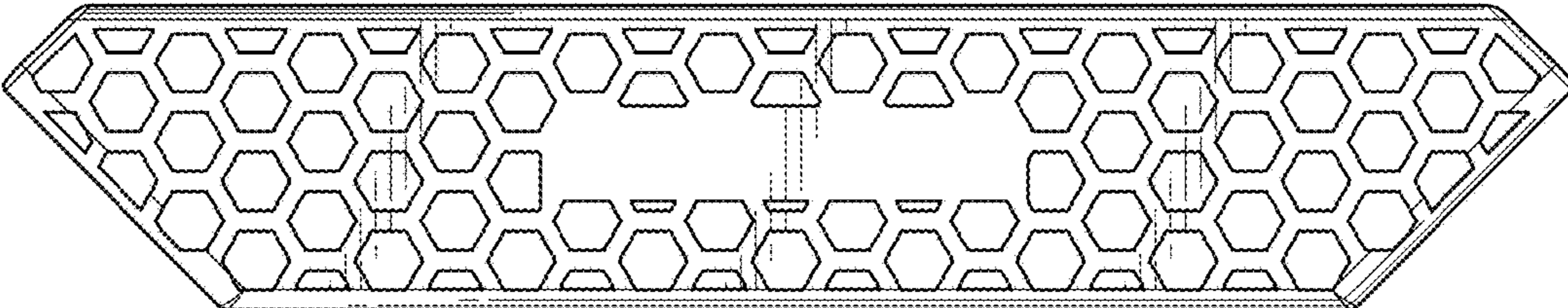


FIG. 6

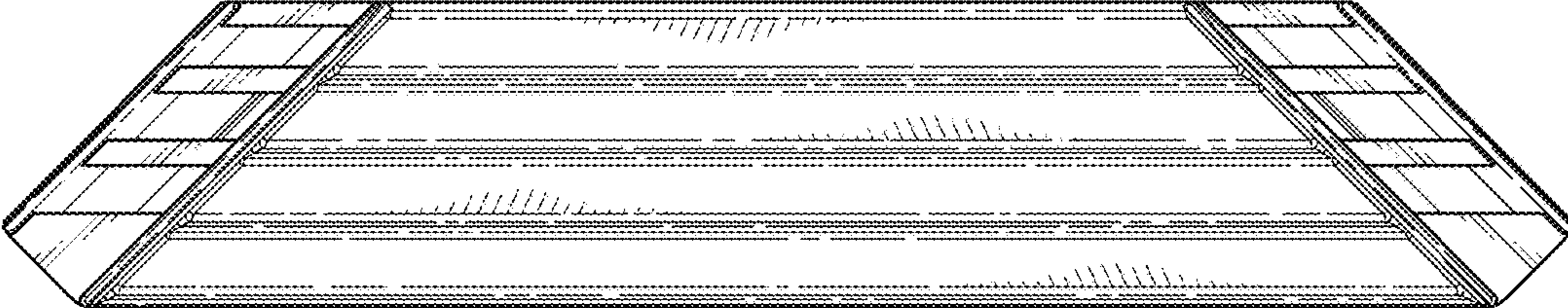


FIG. 7

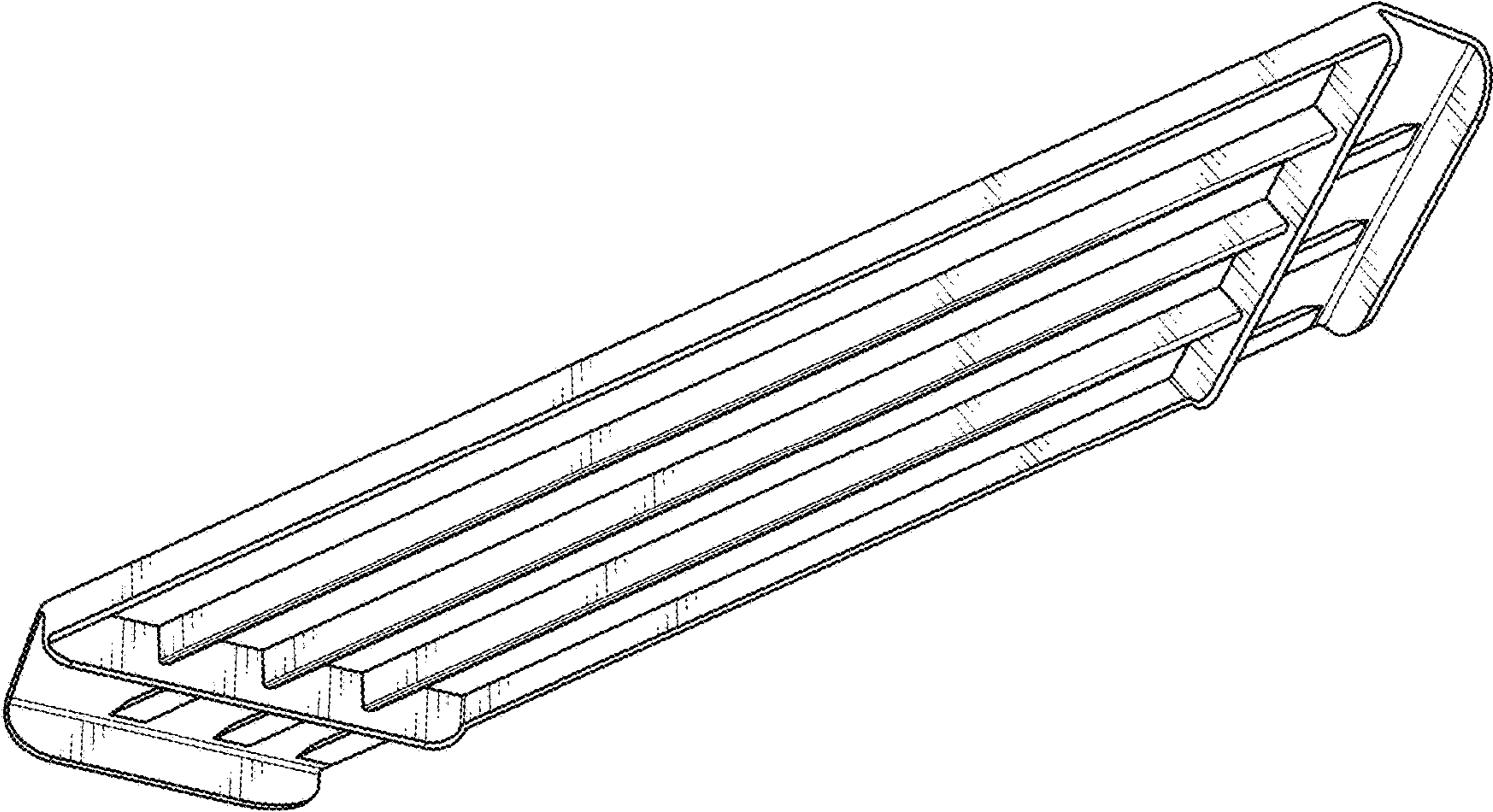


FIG. 8

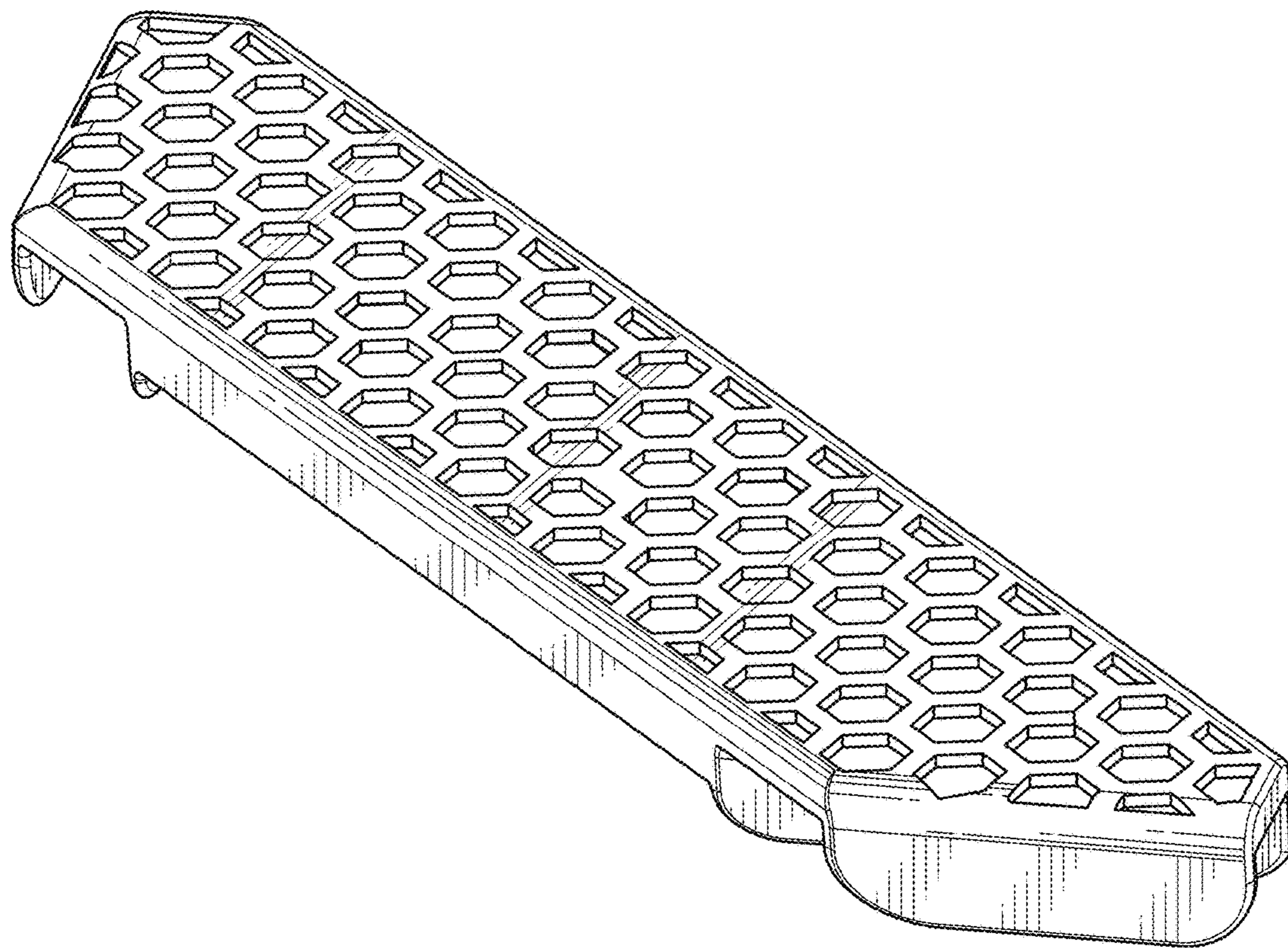


FIG. 9

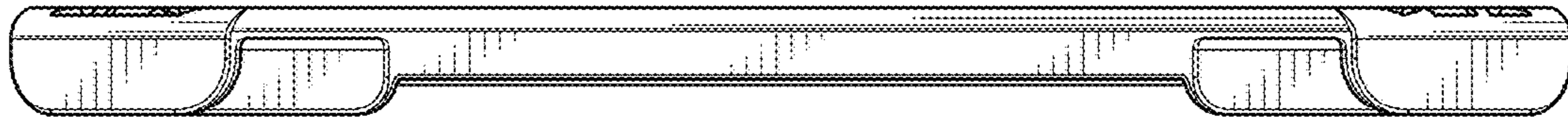


FIG. 10

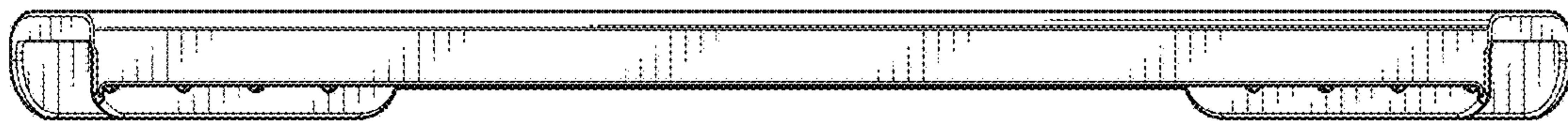


FIG. 11

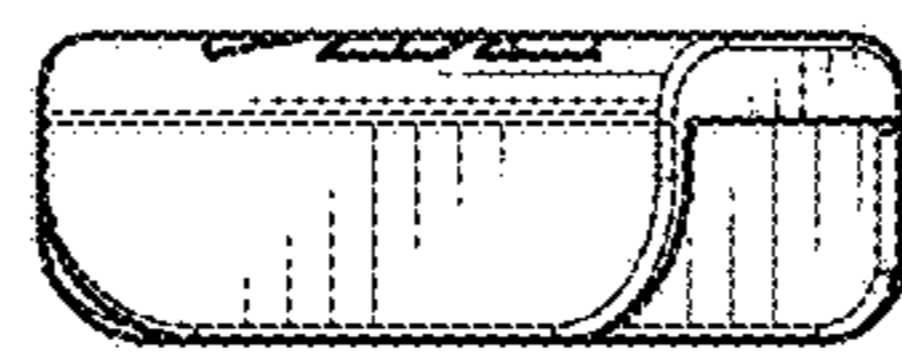


FIG. 12

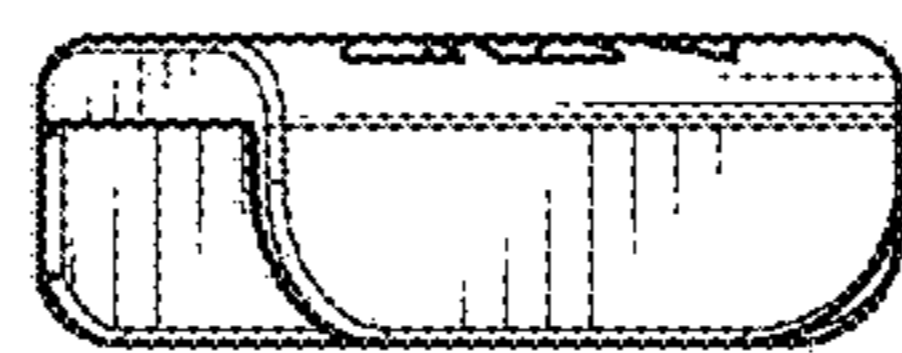


FIG. 13

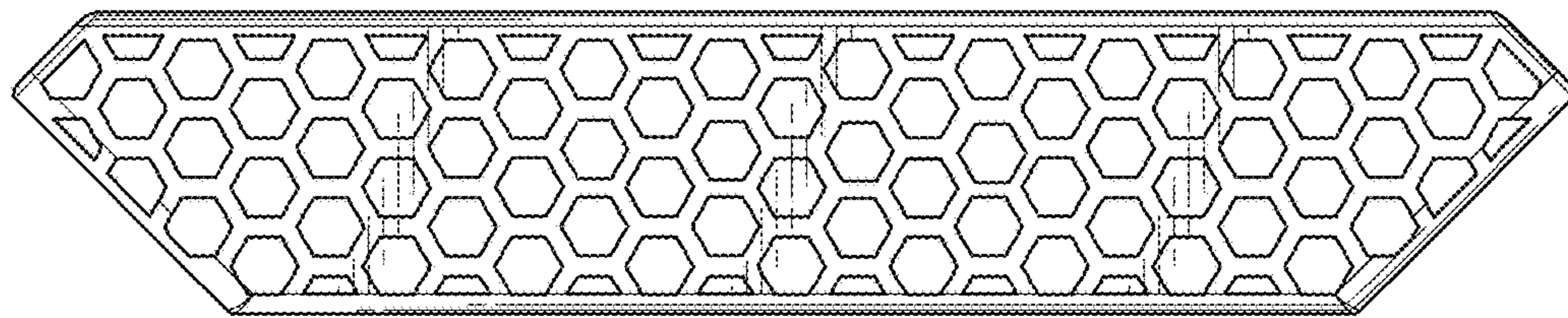


FIG. 14

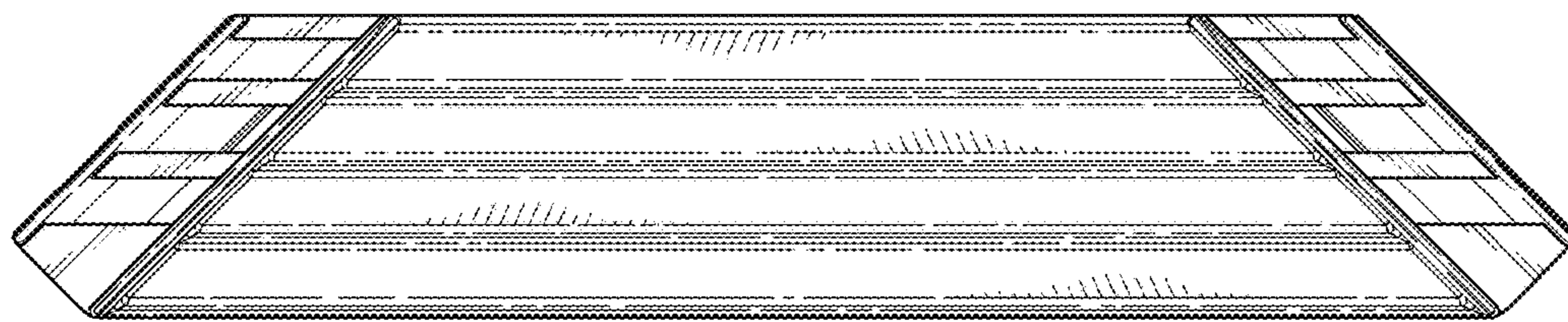


FIG. 15

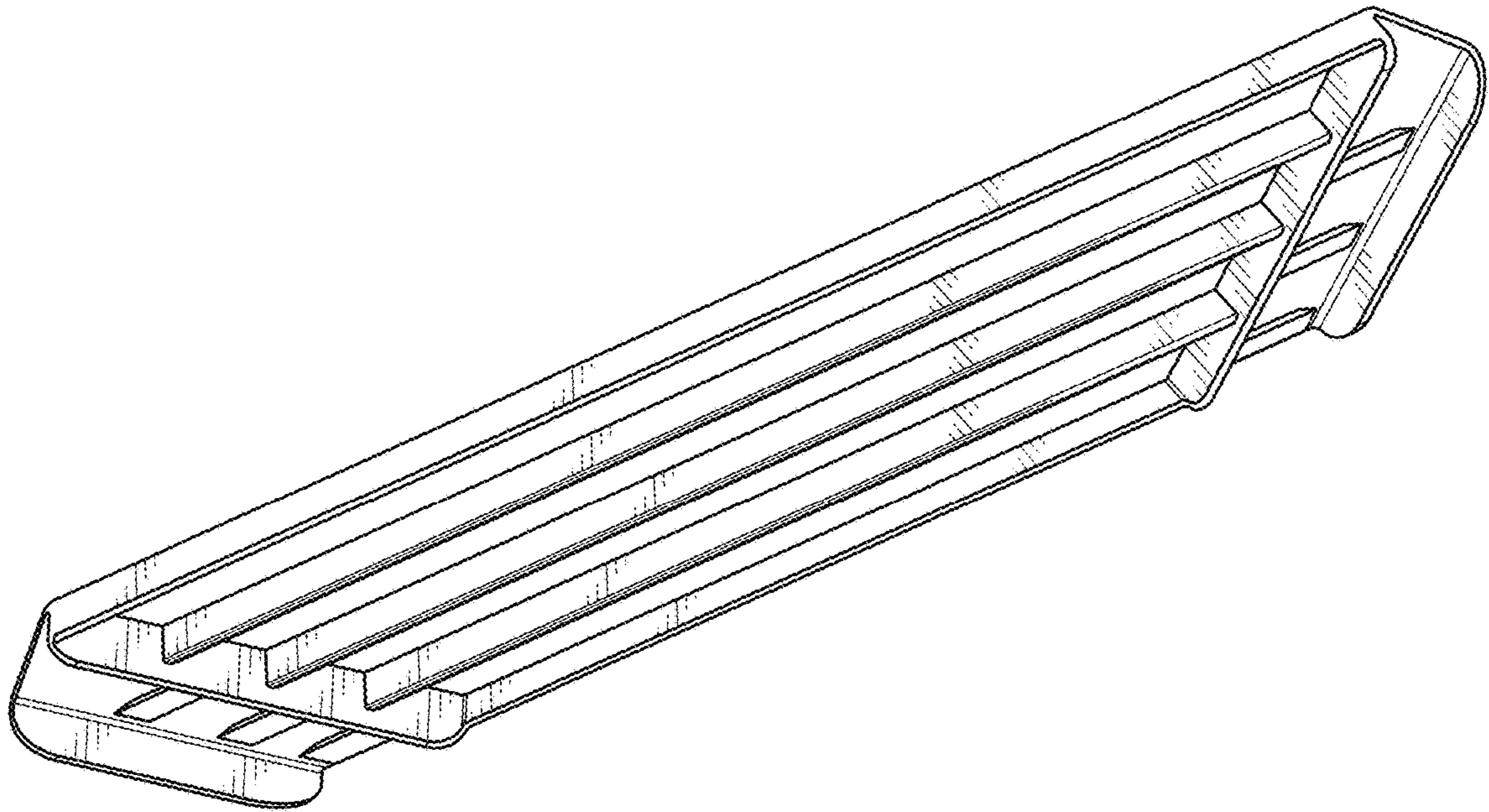


FIG. 16

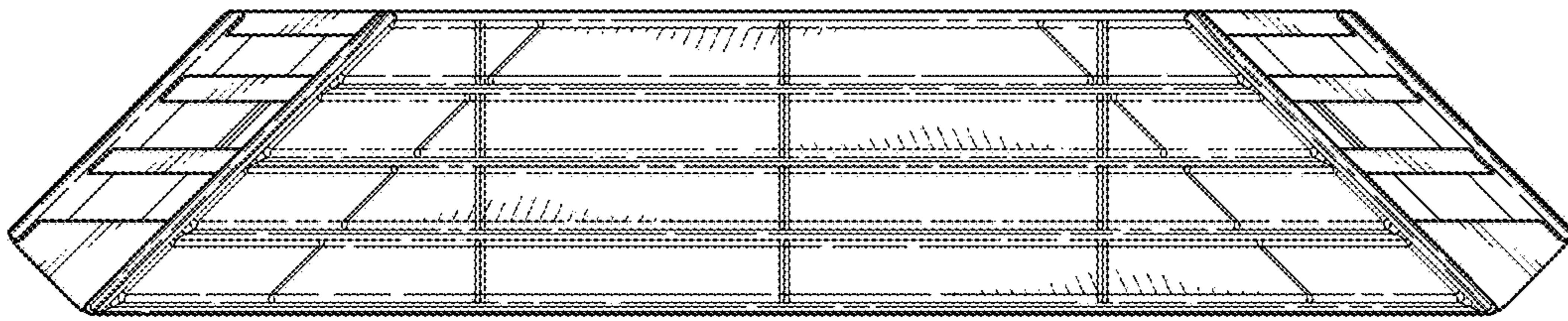


FIG. 17

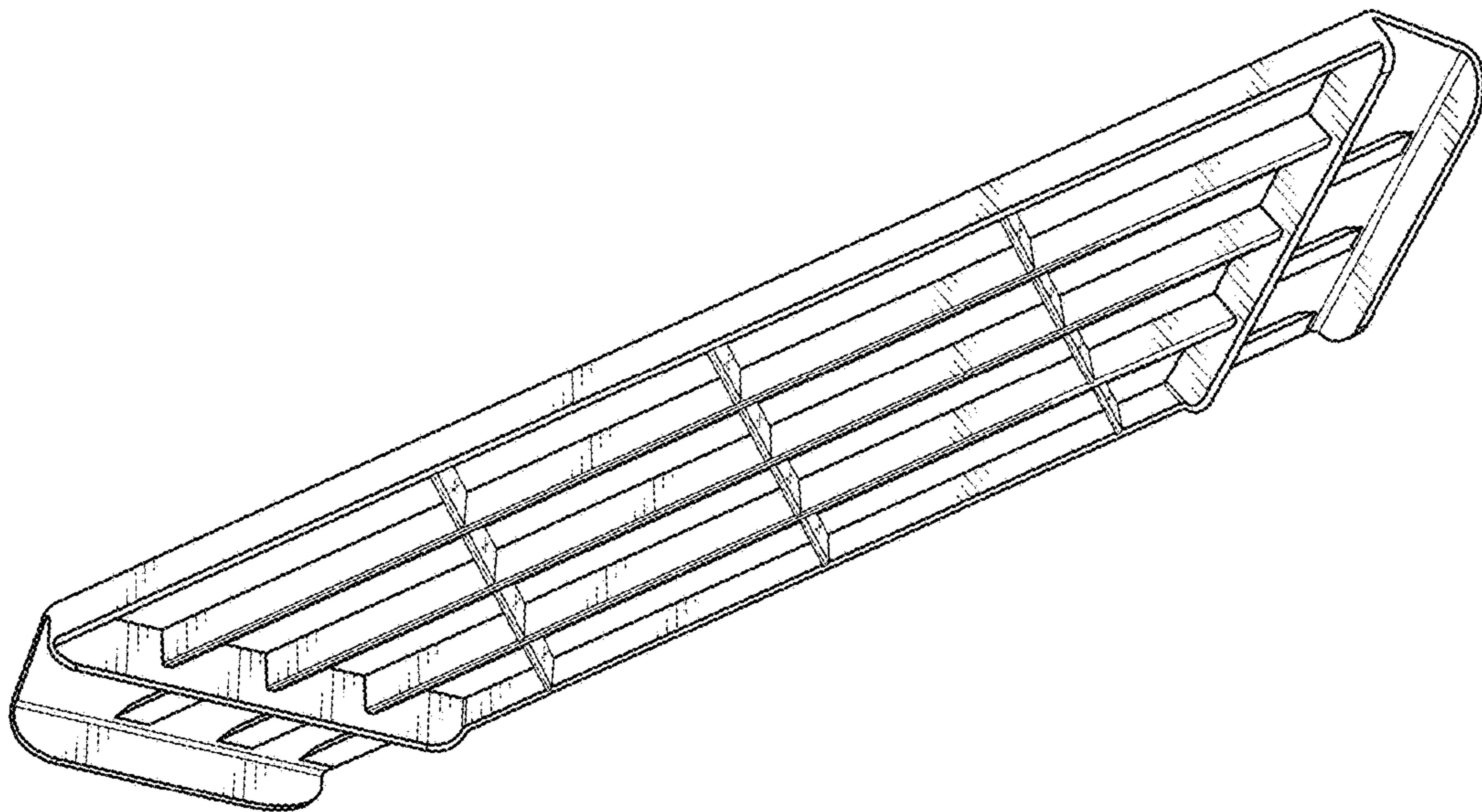


FIG. 18