



US00D813487S

(12) **United States Design Patent**
Eskridge

(10) **Patent No.:** **US D813,487 S**
(45) **Date of Patent:** **** Mar. 20, 2018**

(54) **SHOPPING CART HANDLE COVER**

(71) Applicant: **B. Sumlin Eskridge**, Riverdale, GA
(US)

(72) Inventor: **B. Sumlin Eskridge**, Riverdale, GA
(US)

(**) Term: **15 Years**

(21) Appl. No.: **29/562,753**

(22) Filed: **Apr. 28, 2016**

(51) **LOC (11) Cl.** **12-02**

(52) **U.S. Cl.**
USPC **D34/27**

(58) **Field of Classification Search**
USPC D34/27; 280/33.991, 33.992, 33.993;
224/273, 277, 42.43
CPC B62B 5/069; B62B 3/1428; B62B 3/1444;
B62B 3/1416; A47D 15/008
See application file for complete search history.

(56) **References Cited**

U.S. PATENT DOCUMENTS

3,578,380	A	5/1971	Jacobus	
3,866,649	A	2/1975	Bringmann	
D328,812	S *	8/1992	Pritchett	D34/27
5,215,319	A	6/1993	Farris	
5,429,377	A	7/1995	Duer	
D416,368	S *	11/1999	Brewer	D12/133
6,543,794	B1	4/2003	Tyree	
6,604,789	B1 *	8/2003	Downing	A47C 7/546 297/227
D521,207	S *	5/2006	Anderson	B62B 5/069 D34/27
D743,663	S *	11/2015	Hoffheimer	D34/27
2004/0021279	A1 *	2/2004	Sobo	B62B 3/1436 280/33.992
2008/0191434	A1	8/2008	Herron	

* cited by examiner

Primary Examiner — Cynthia Ramirez

(74) *Attorney, Agent, or Firm* — Taylor English Duma
LLP

(57) **CLAIM**

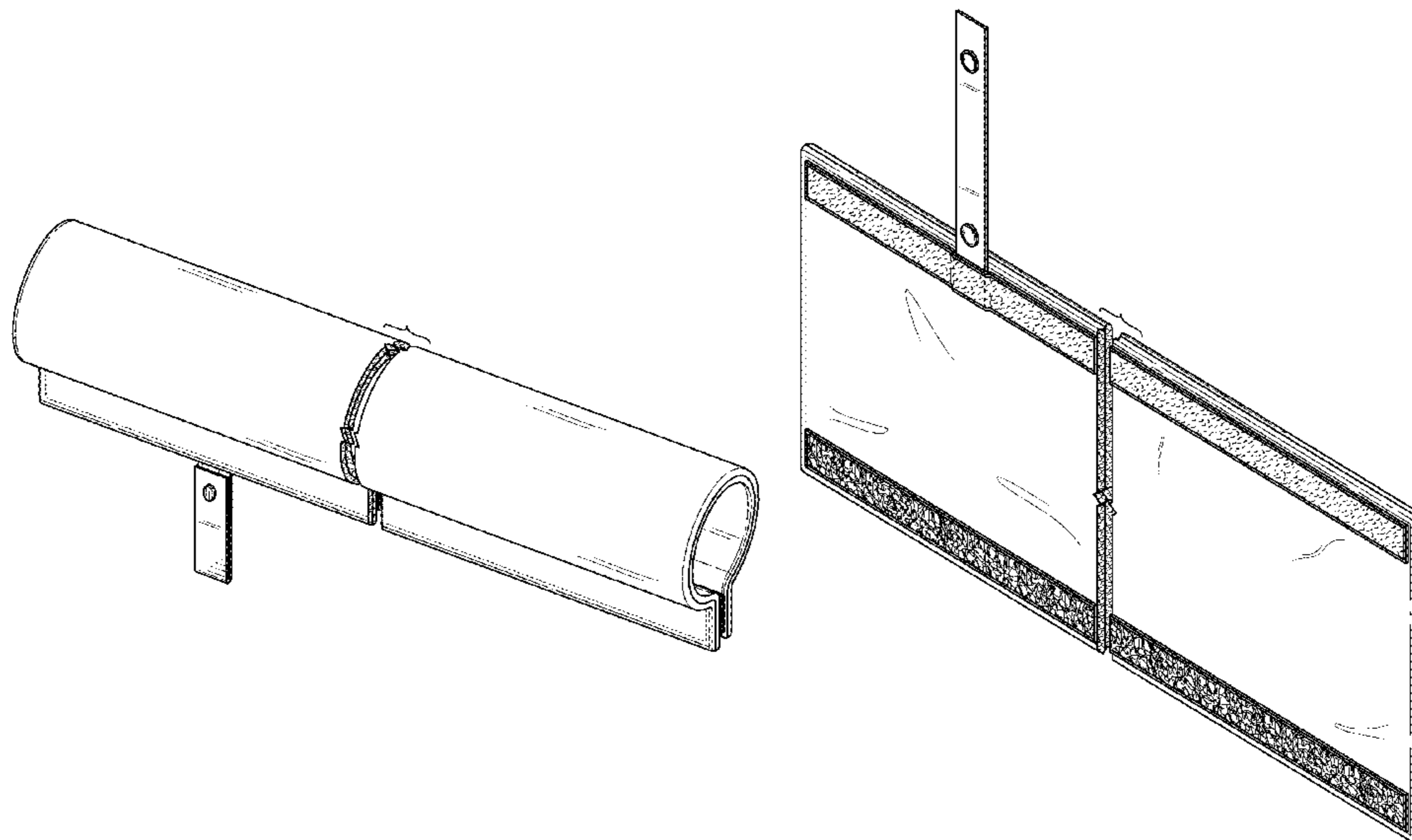
I claim the ornamental design for a shopping cart handle cover, as shown and described.

DESCRIPTION

FIG. 1 is a perspective view of a shopping cart handle cover showing my new design as assembled.
 FIG. 2 is a front elevation view thereof.
 FIG. 3 is a rear elevation view thereof.
 FIG. 4 is a left-side elevation view thereof.
 FIG. 5 is a right-side elevation view thereof.
 FIG. 6 is a top plan view thereof.
 FIG. 7 is a bottom plan view thereof.
 FIG. 8 is a perspective view of the claimed design as unassembled and flattened.
 FIG. 9 is a rear elevation view thereof.
 FIG. 10 is a front elevation view thereof.
 FIG. 11 is a left-side elevation view thereof.
 FIG. 12 is a right-side elevation view thereof.
 FIG. 13 is a top plan view thereof.
 FIG. 14 is a bottom plan view thereof.
 FIG. 15 is a perspective view of the claimed design as assembled on a shopping cart; and,
 FIG. 16 is a detail view thereof taken from detail 16 of FIG. 15.

The broken lines are to show portions of the shopping cart handle cover and form no part of the claimed design. The shopping cart shown in broken lines in FIGS. 15 and 16 are to show environment and form no part of the claimed design. The shopping cart handle cover is shown with a symbolic break in its length. The appearance of any portion of the cover between that break lines form no part of the claimed design.

1 Claim, 7 Drawing Sheets



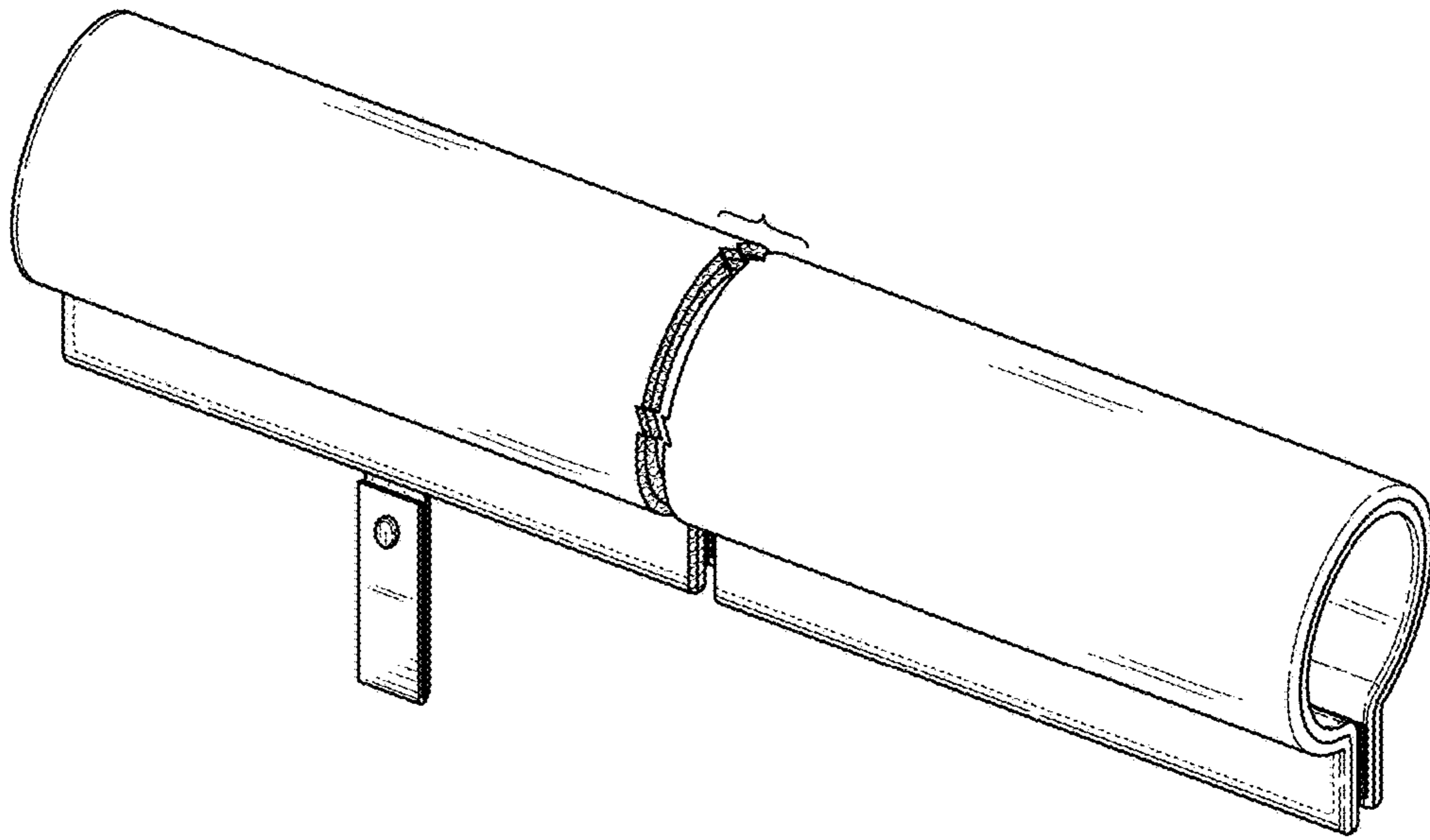


FIG. 1

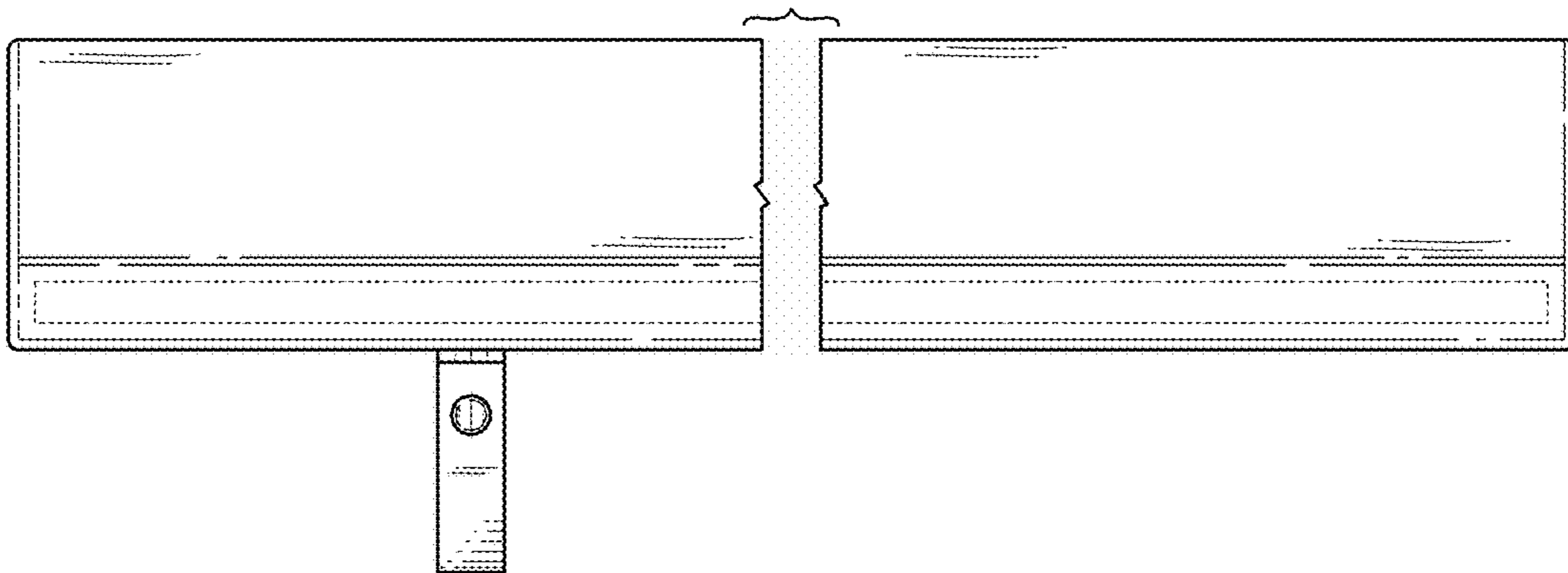


FIG. 2

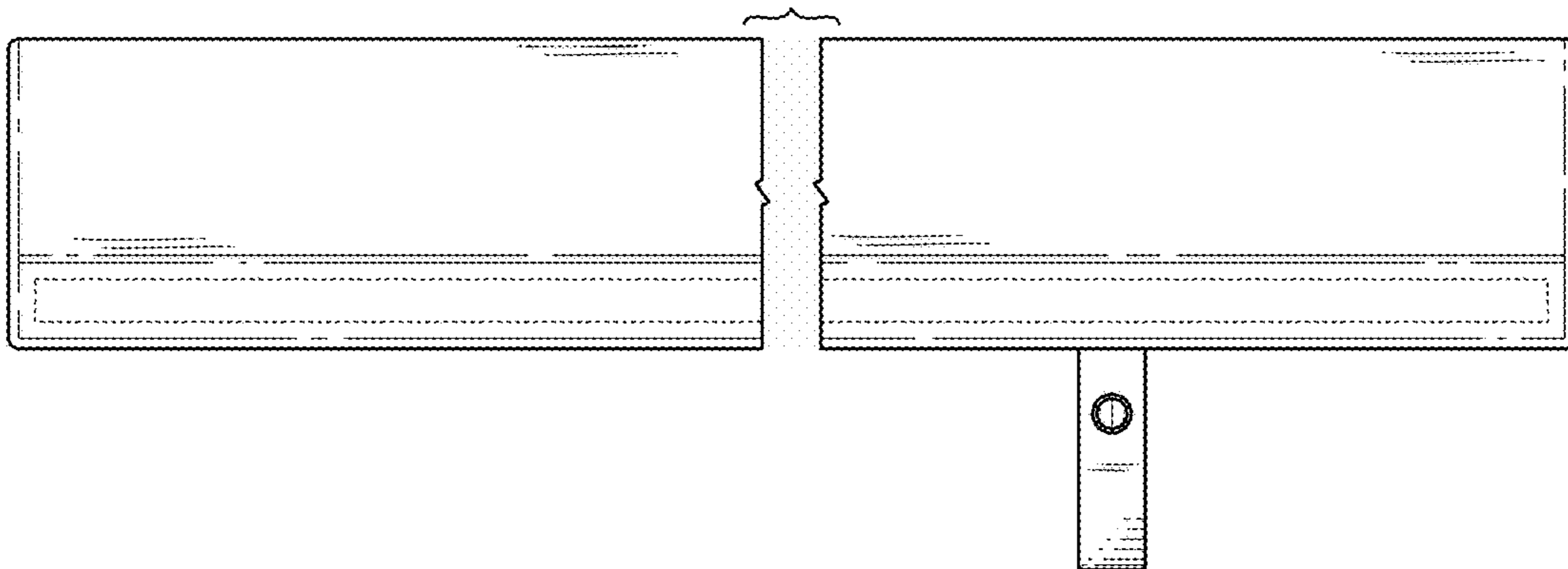


FIG. 3

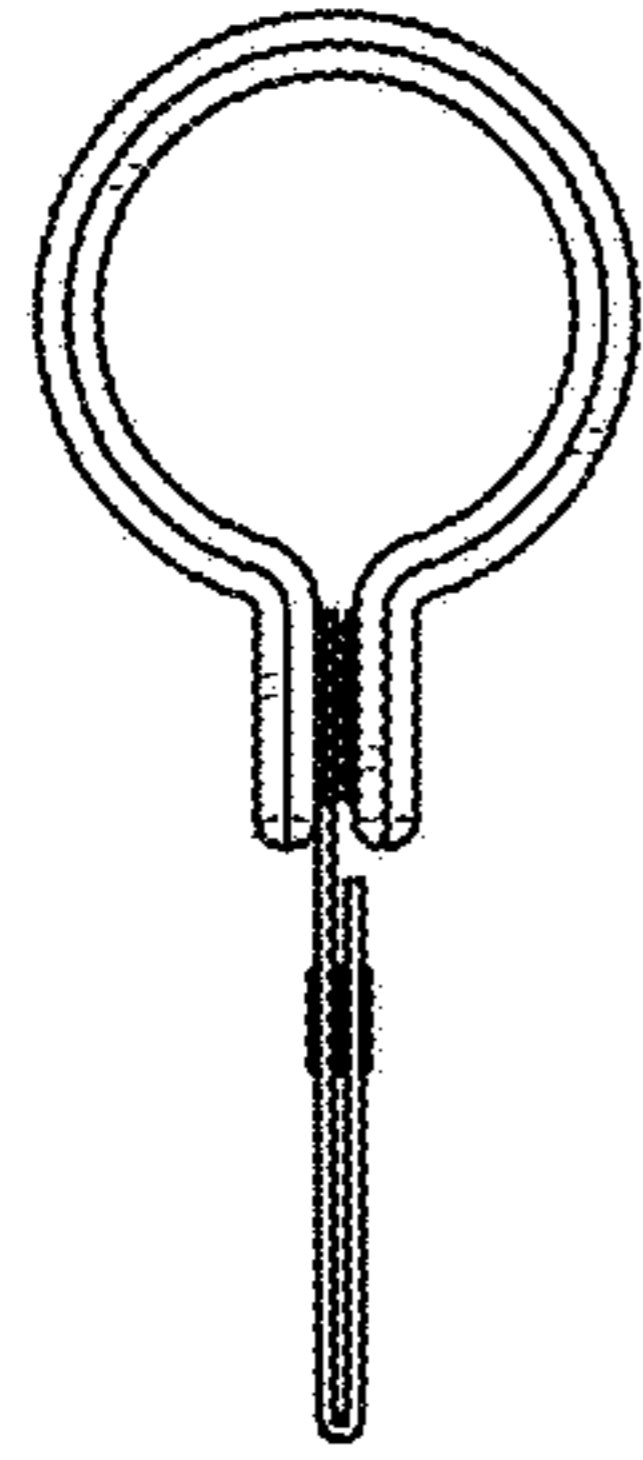


FIG. 4

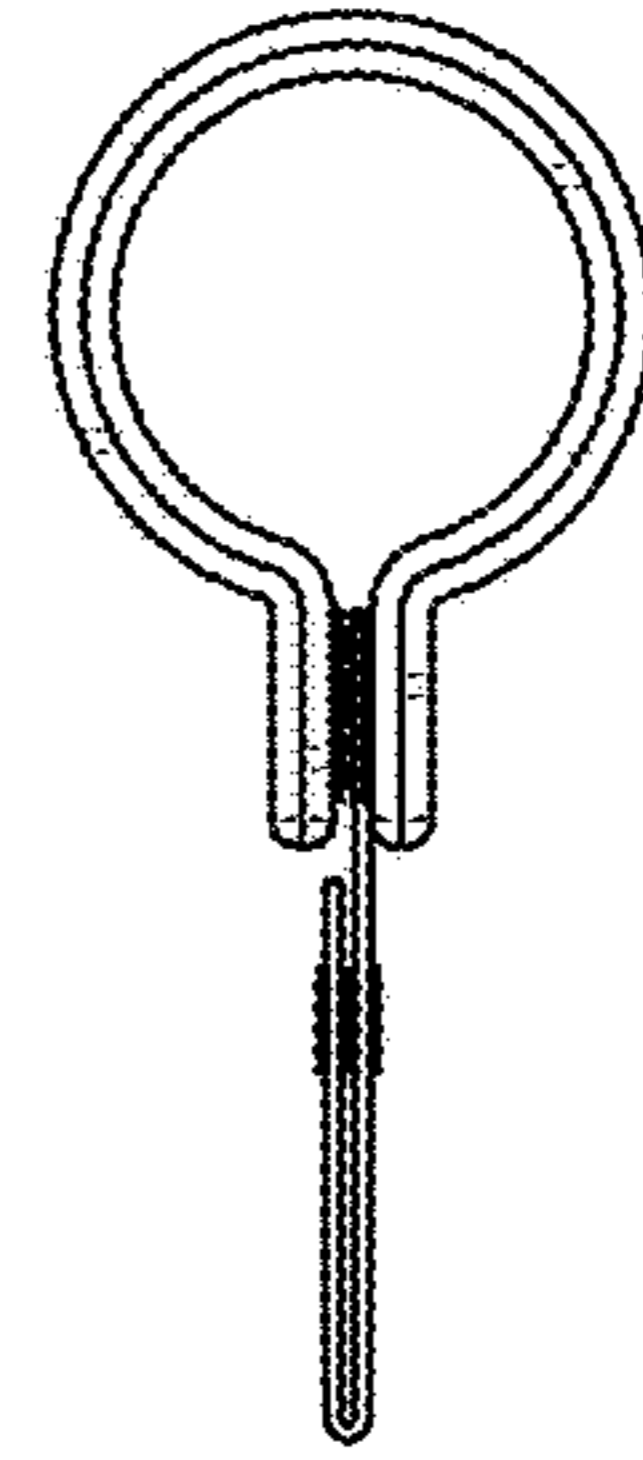


FIG. 5

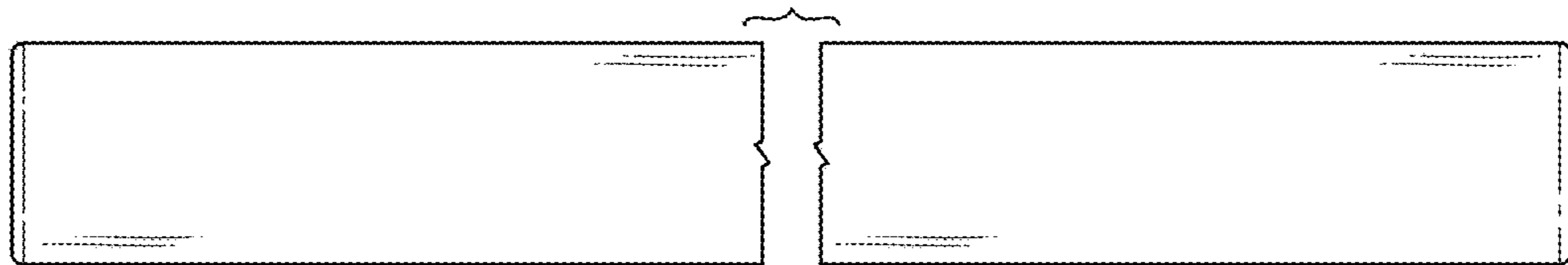


FIG. 6

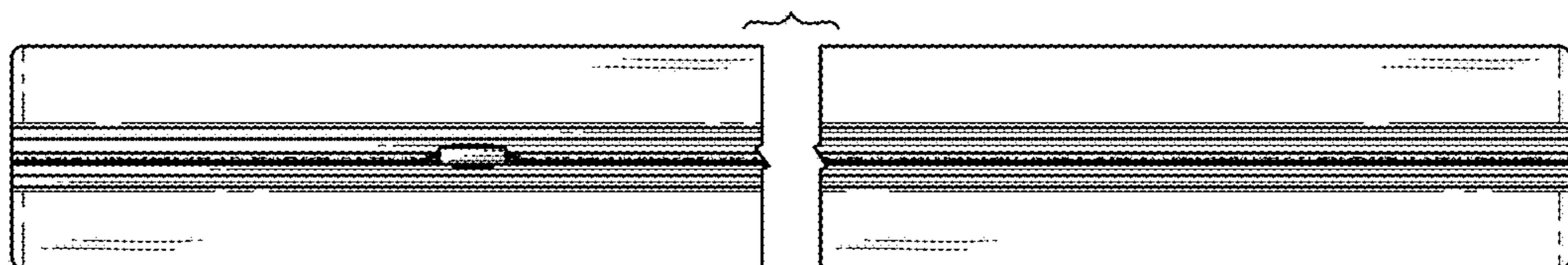


FIG. 7

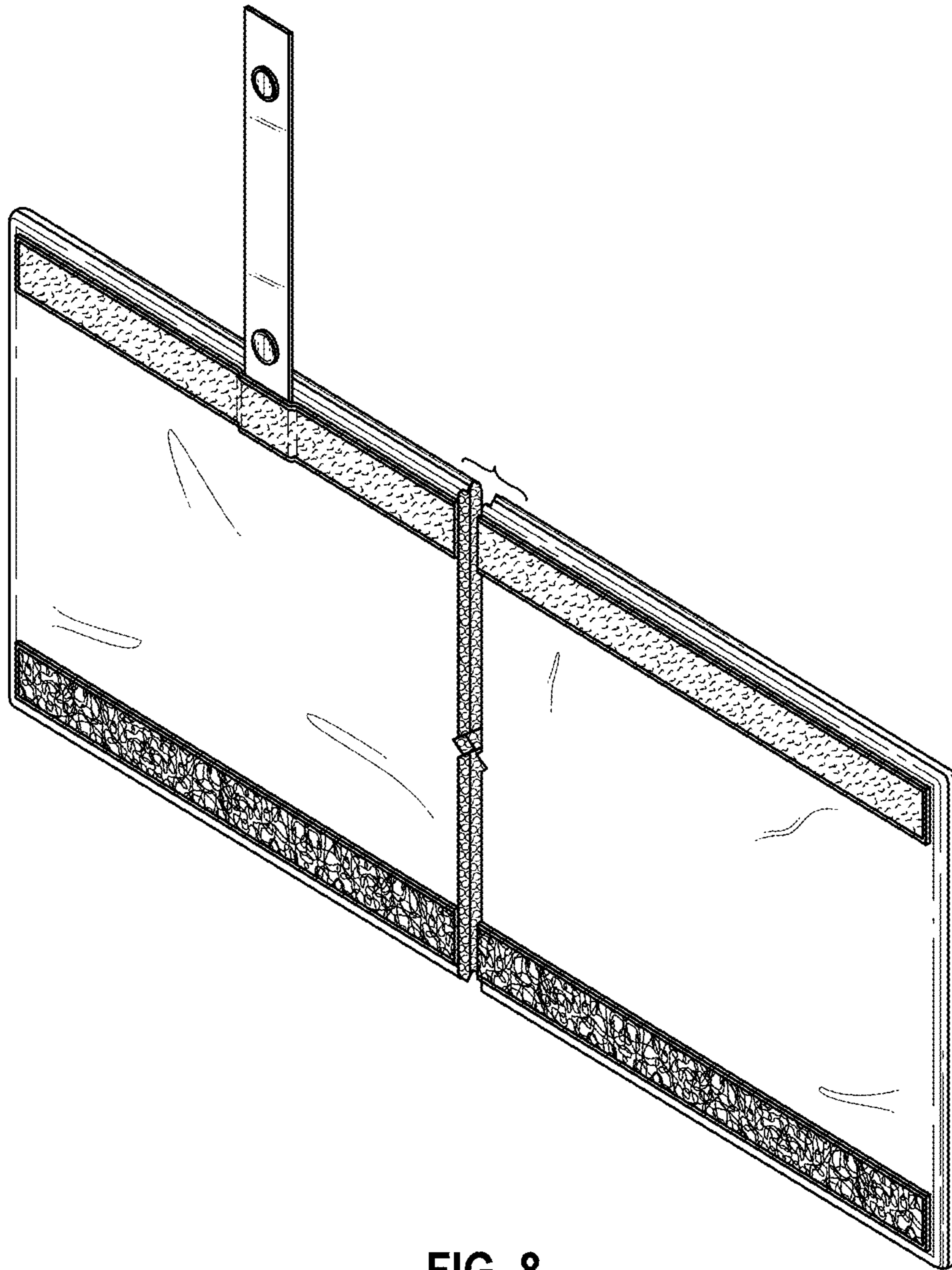


FIG. 8

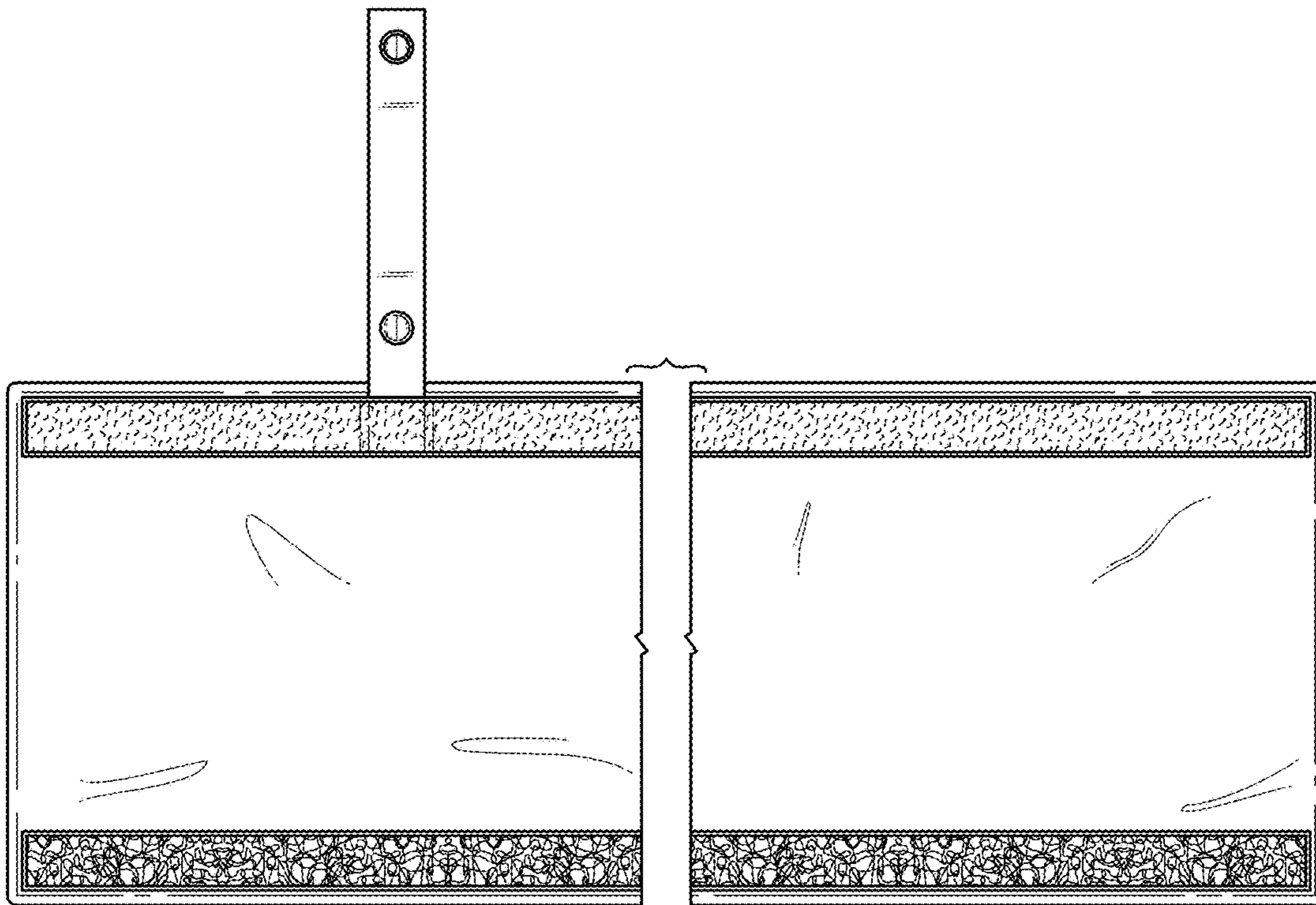


FIG. 9

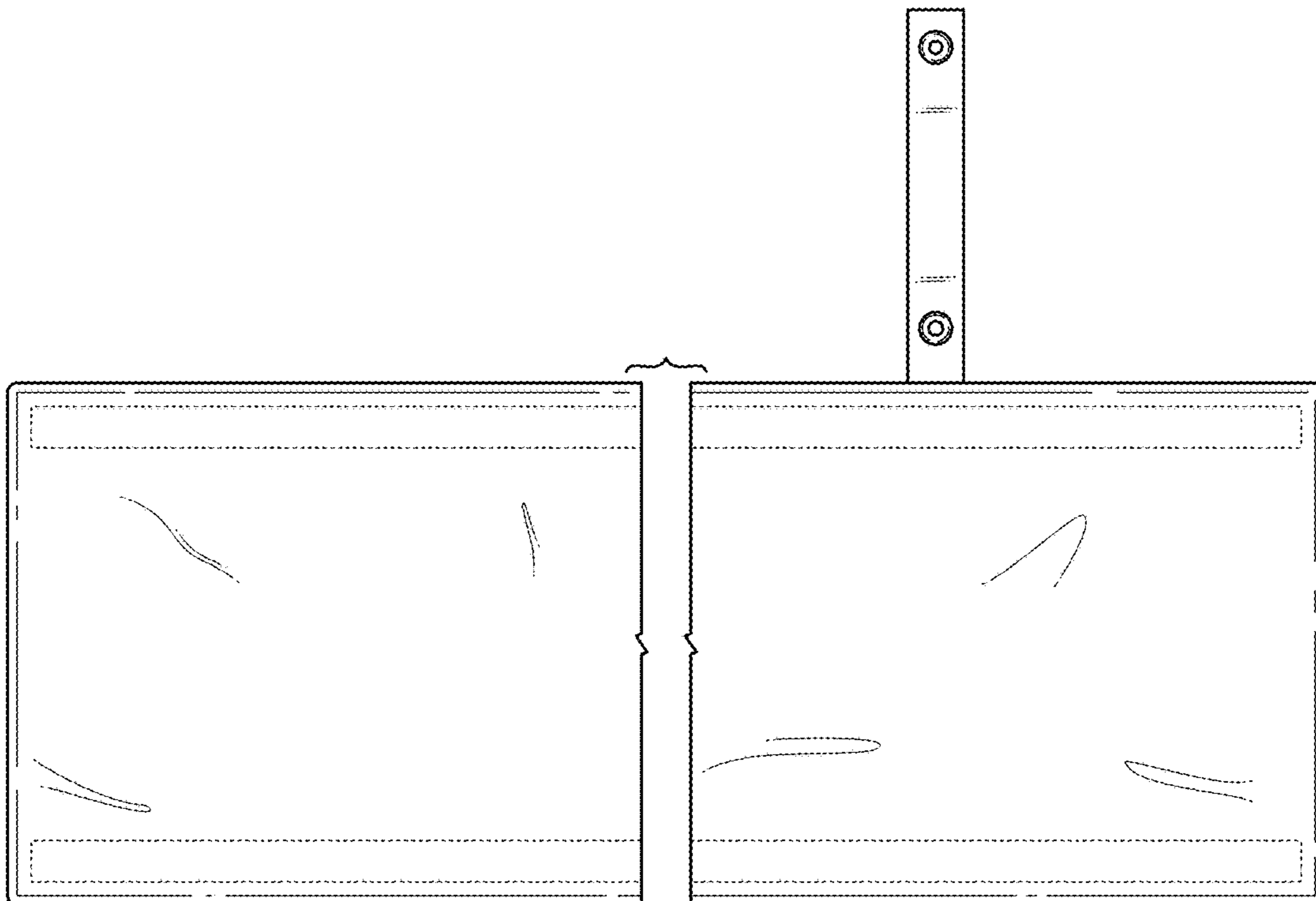


FIG. 10



FIG. 11



FIG. 12



FIG. 13



FIG. 14

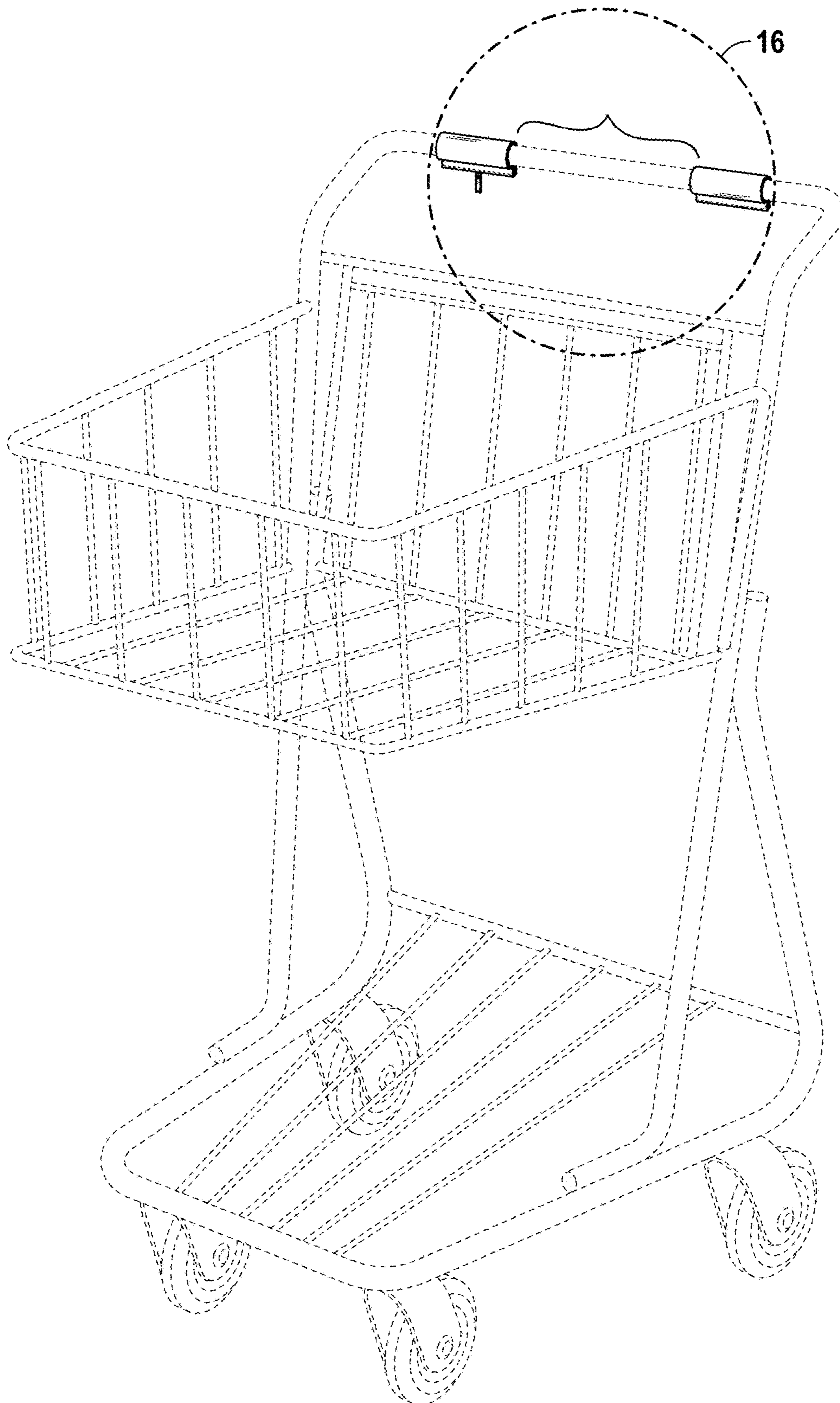


FIG. 15

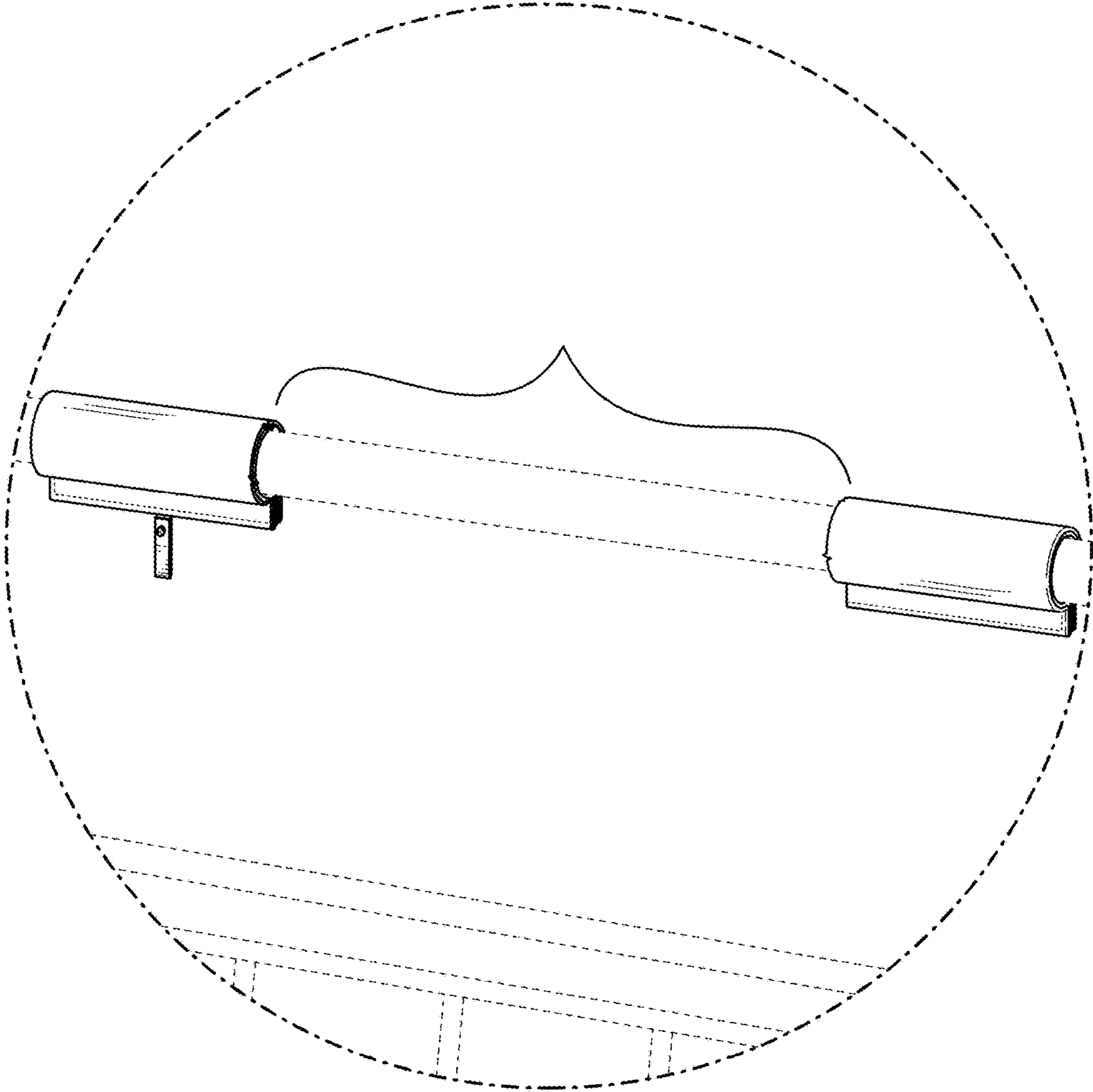


FIG. 16